



**SPEED**  
CHAMPIONS

76921







LEGO® Builder



[LEGO.com/sustainable-packaging](https://LEGO.com/sustainable-packaging)



 <sup>FR</sup> **DONNEZ**  
OU  
**RECYCLEZ**

 OU  OU 

ASSOCIATION MAGASIN DÉCHÈTERIE

Adresses sur [quefairedemesdechets.fr](https://quefairedemesdechets.fr)



Q LEGO® Builder

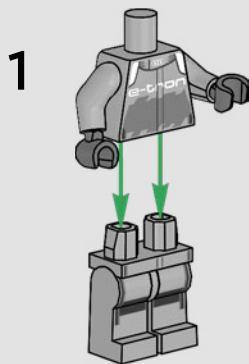
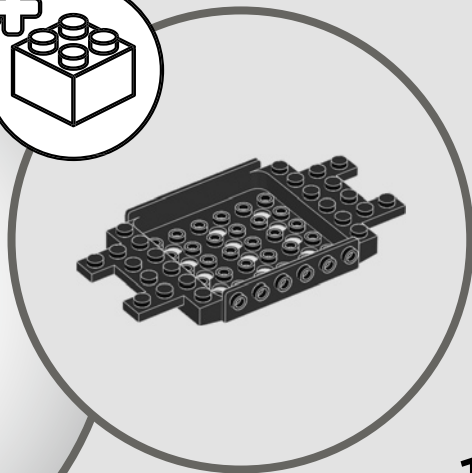
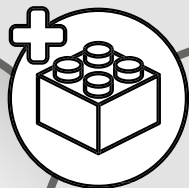
# BUILDER

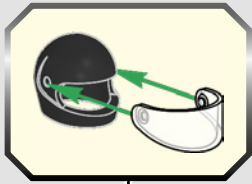


Apple and the Apple logo are trademarks of Apple Inc., registered in the U.S. and other countries and regions. App Store is a service mark of Apple Inc. Google Play and the Google Play logo are trademarks of Google LLC. Tencent and the Tencent logo are trademarks of Tencent Inc.

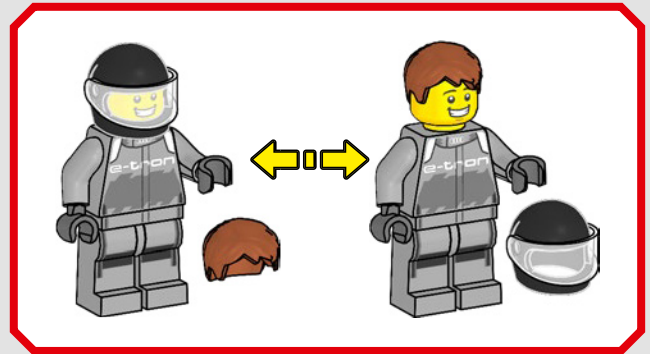
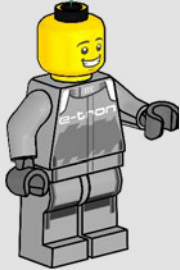
Q [LEGO.com/devicecheck](https://www.lego.com/devicecheck)

**EN** Ask parents' permission before going online | **DE** Eltern um Erlaubnis bitten, bevor du online gehst | **FR** Demande l'autorisation d'un parent avant d'aller en ligne | **IT** Chiedi il permesso ai tuoi genitori prima di andare online | **ES** Pídeles permiso a tus papás antes de conectarte a Internet | **PT** Pede autorização aos pais antes de acederes online | **ZH** 上网前应先征得父母的同意 | **PL** Poproś rodziców o zgodę, zanim wejdiesz do Internetu | **CS** Než půjdeš na internet, požádej rodiče o svolení | **SK** Skôr než pôjdeš na internet, vypýtaj si povolenie od rodičov | **HU** Kérj szülői engedélyt, mielőtt online csatlakoznál! | **RO** Cere permisiunea părinților înainte de a te conecta online | **BG** Поискайте разрешение от родител, преди да влезете онлайн | **LV** Pirms došanās tiešsaistē palūdz atļauju vecākiem | **ET** Enne Interneti kasutamist küsi vanematelt luba | **LT** Prieš prisijungdami prie interneto, atsiklauskite tėvų



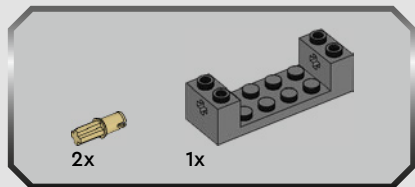


2

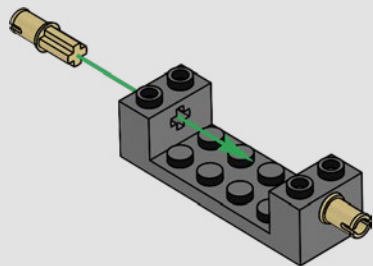


3

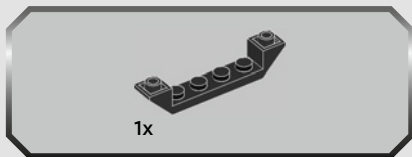
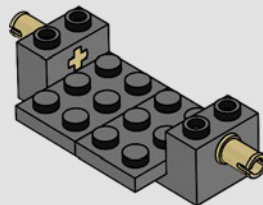




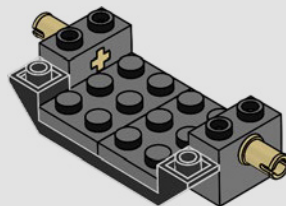
1

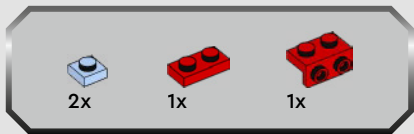


2

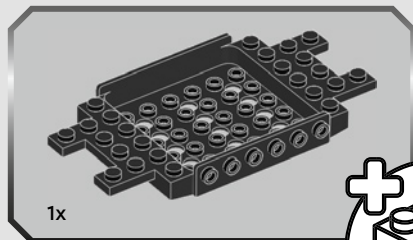
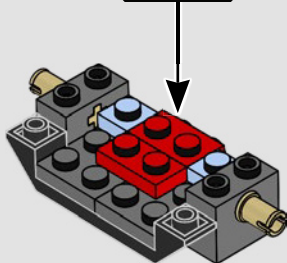


3

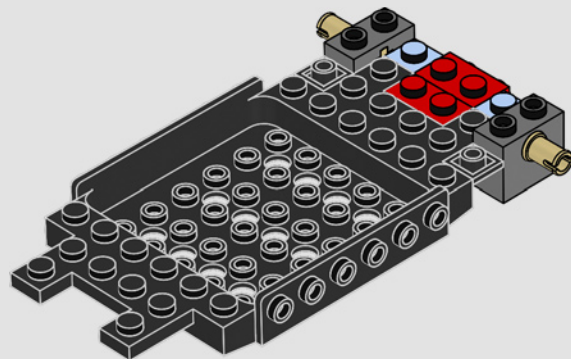
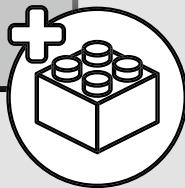




4

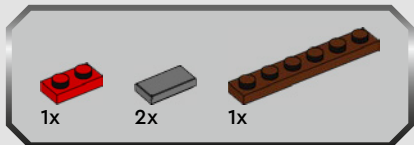
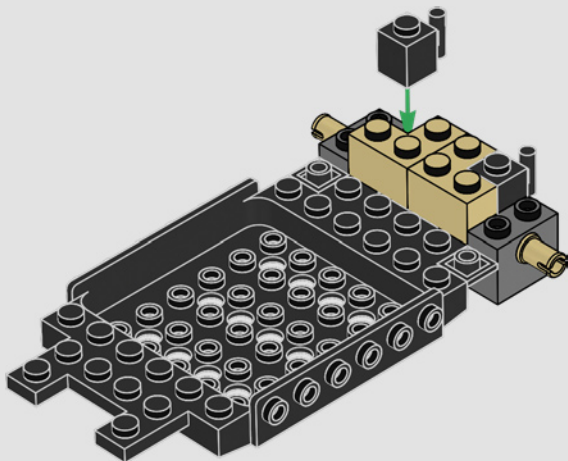


5

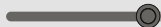
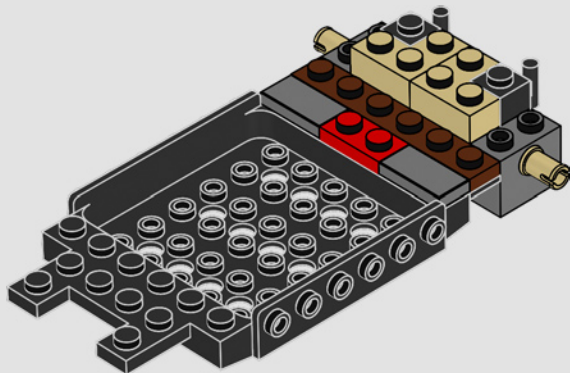




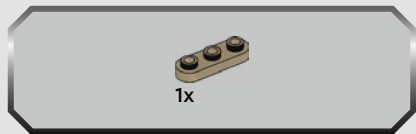
6



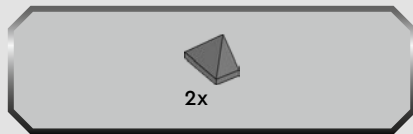
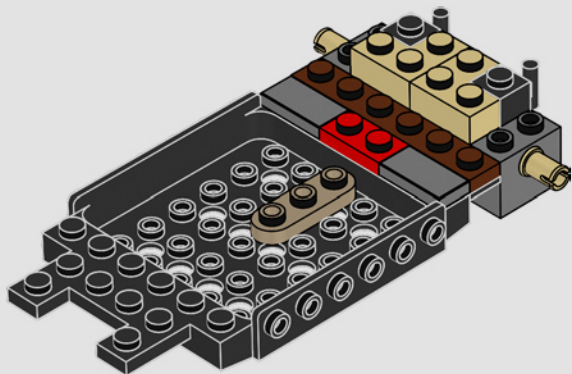
7



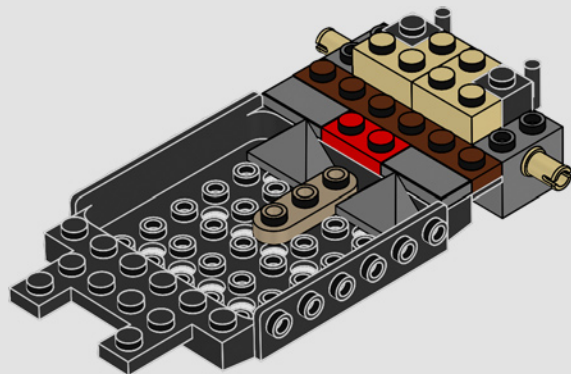




8

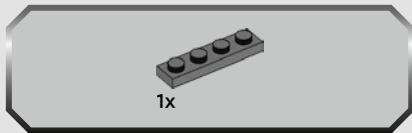
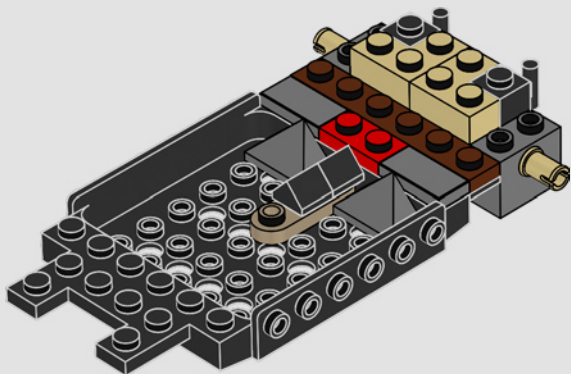


9

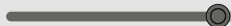
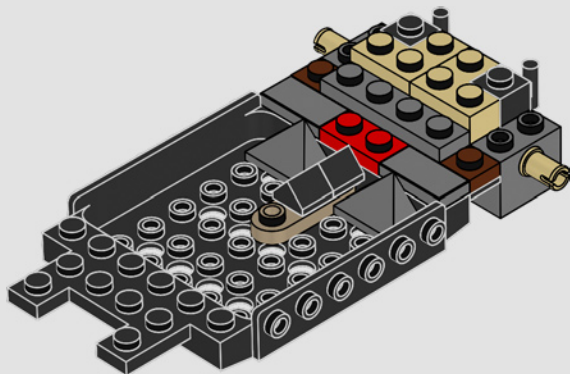


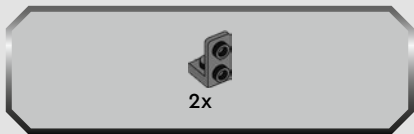


10

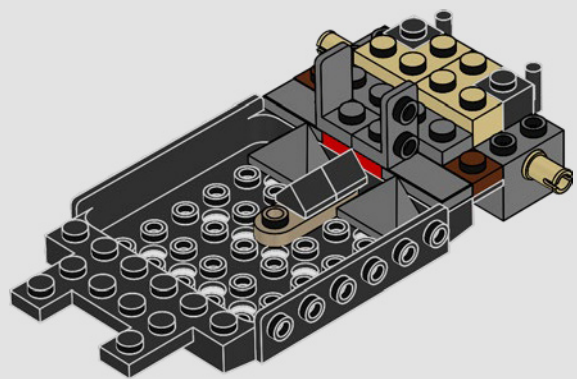


11

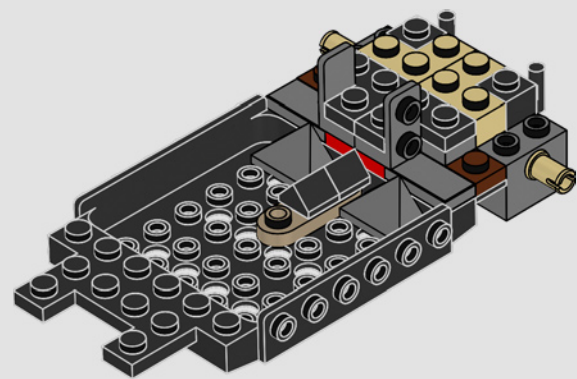


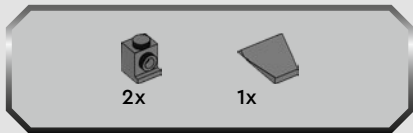


12

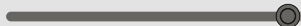
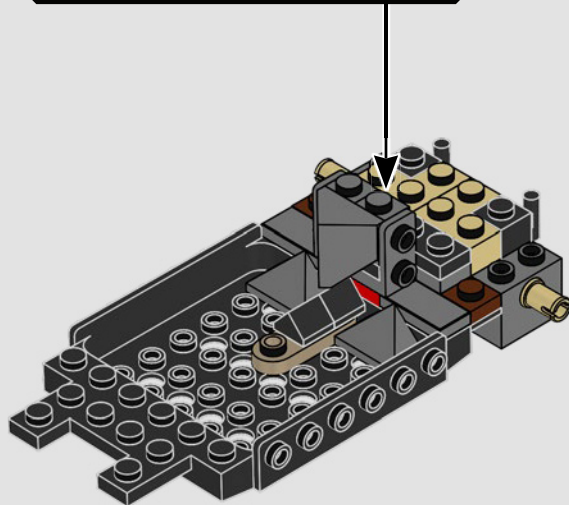
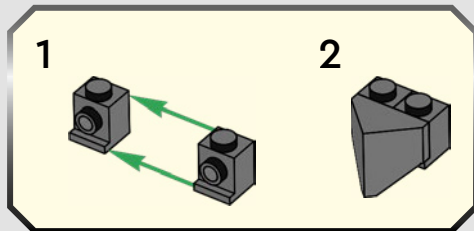


13



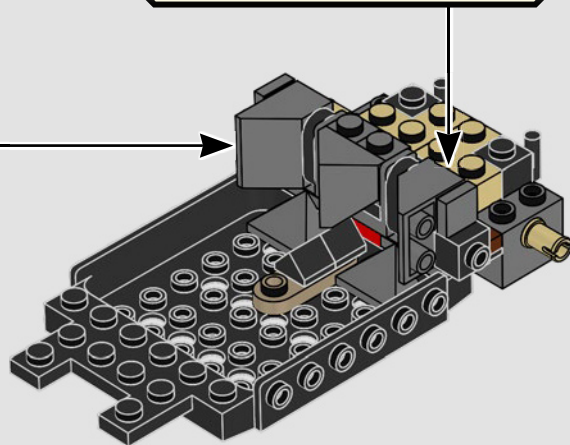
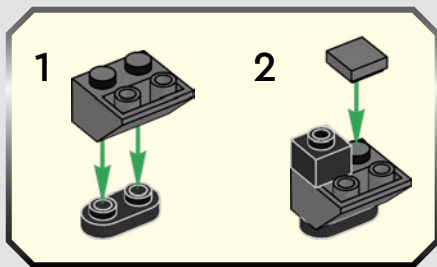
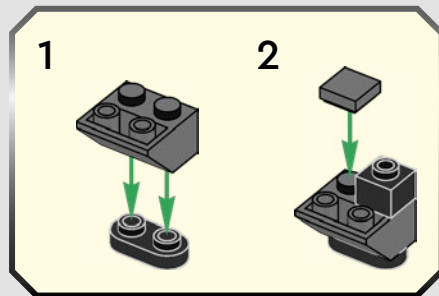


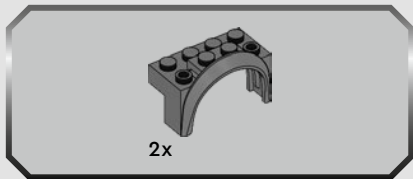
14



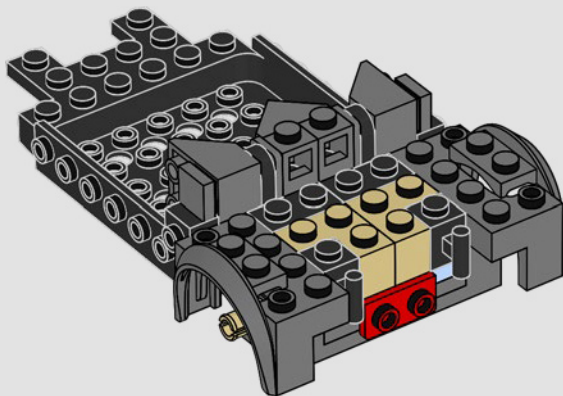


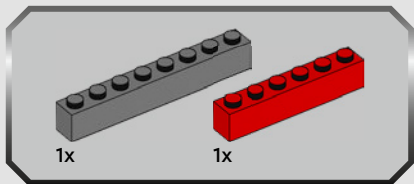
15



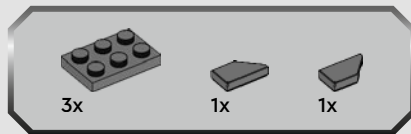
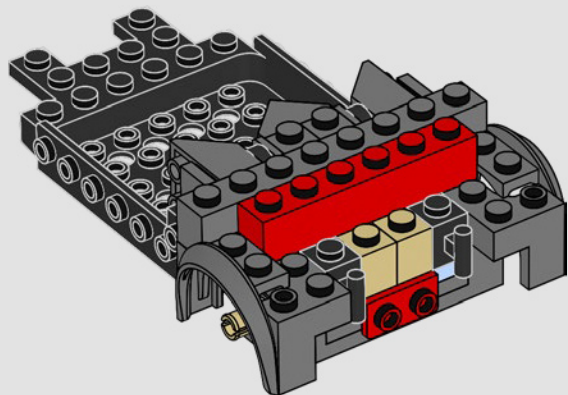


16

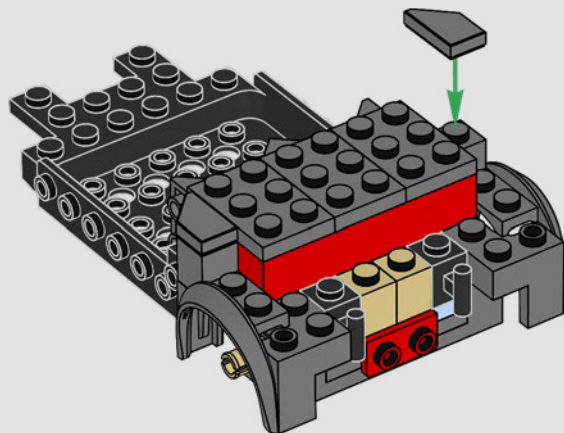


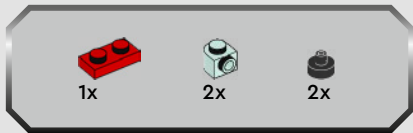


17

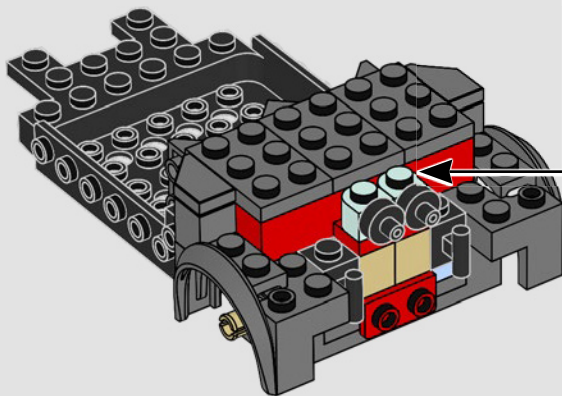
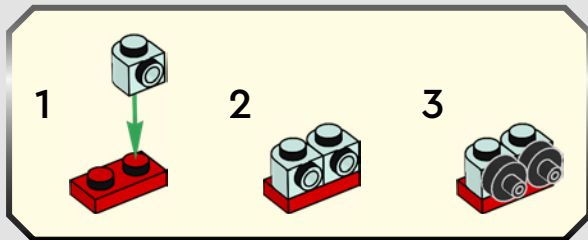


18





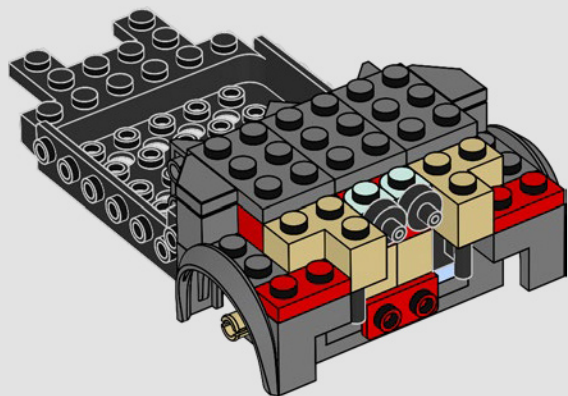
19



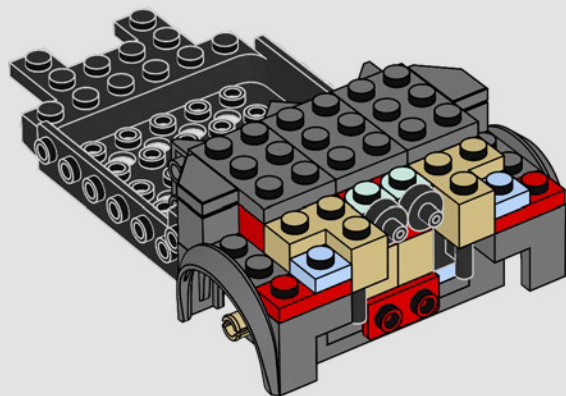


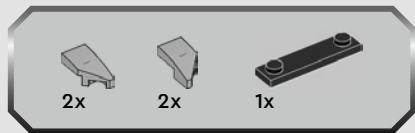


20

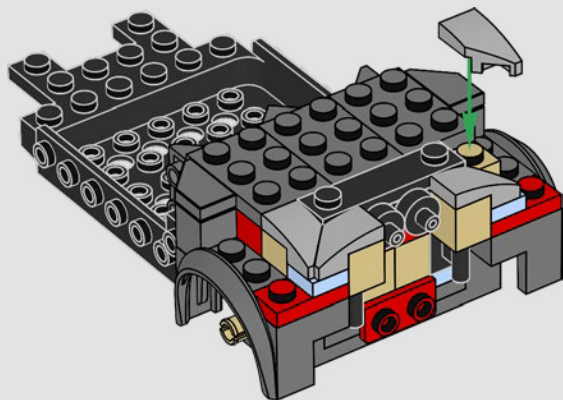


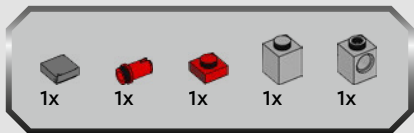
21



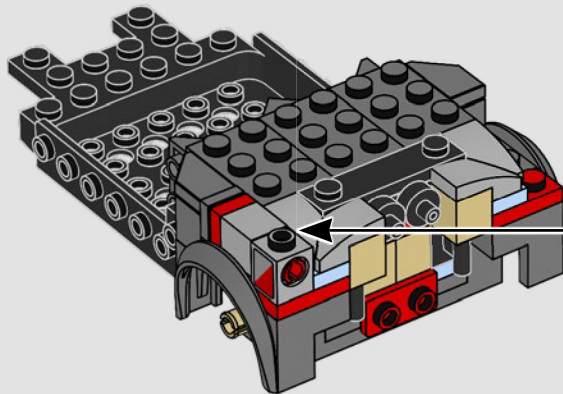
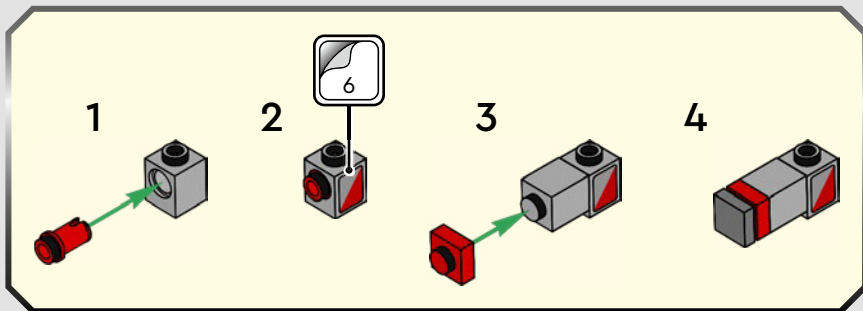


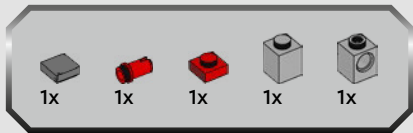
22



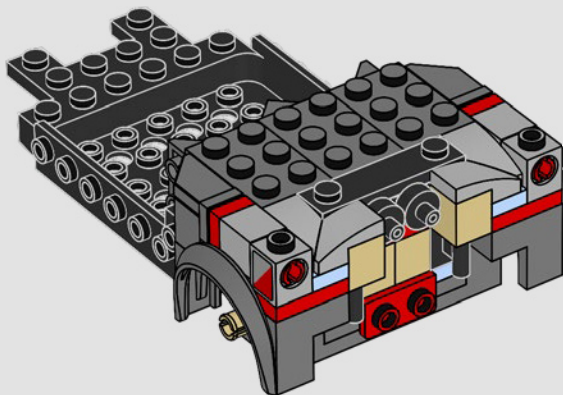
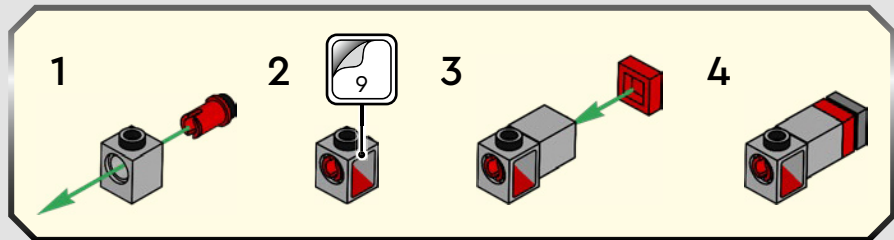


23



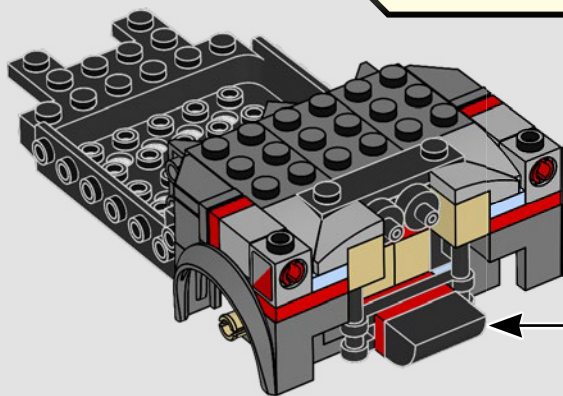
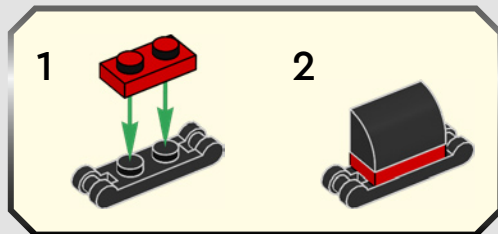


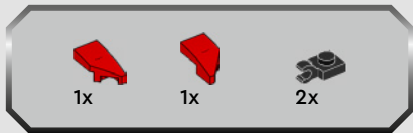
24



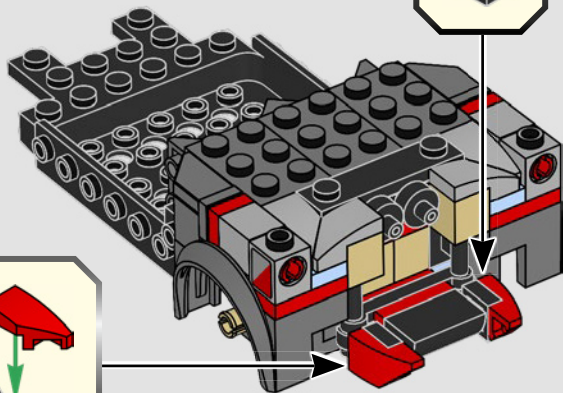
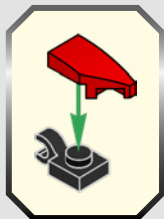
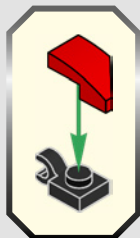


25

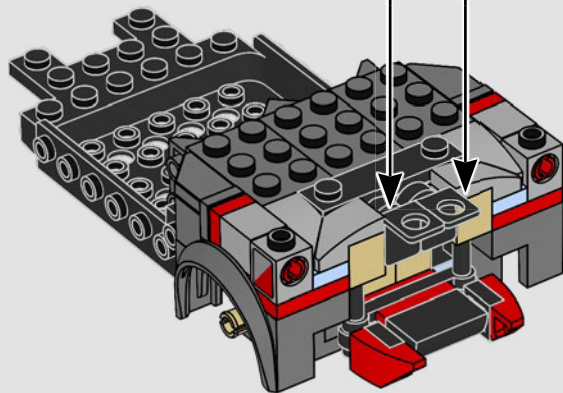


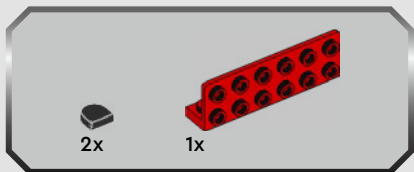
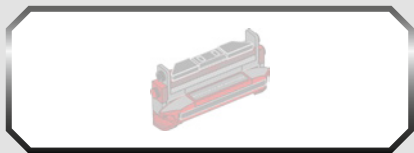


26

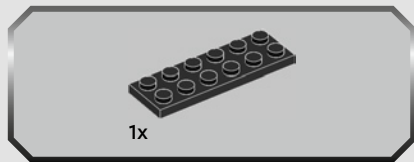
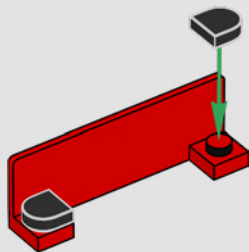


27

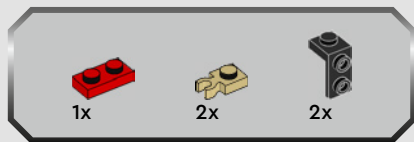
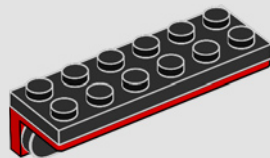
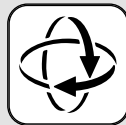




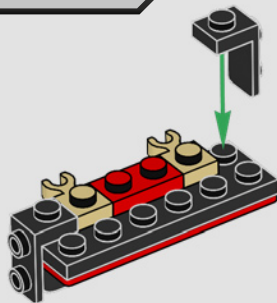
28

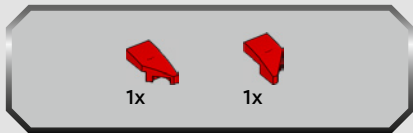


29

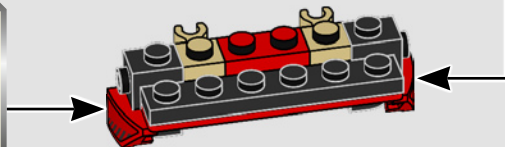
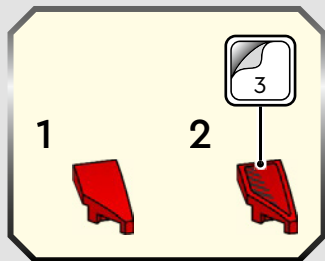
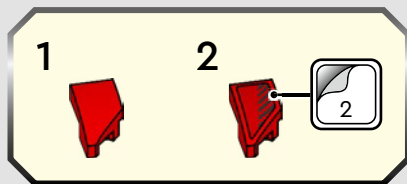


30





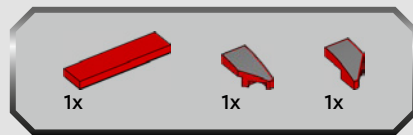
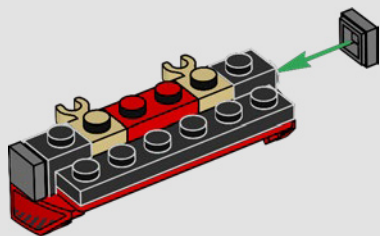
31



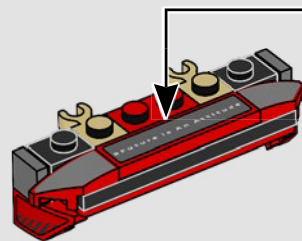
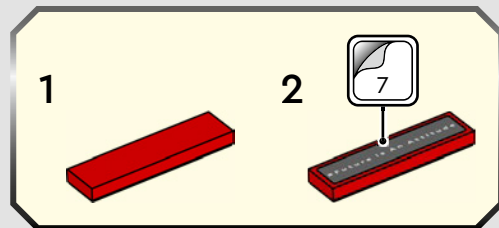


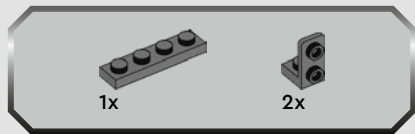


32

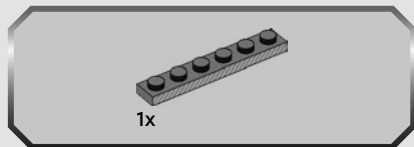
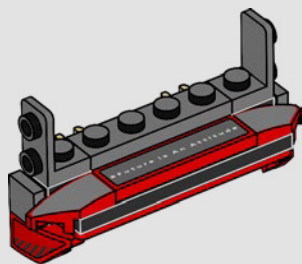


33

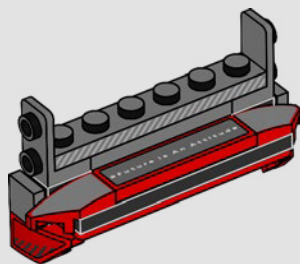


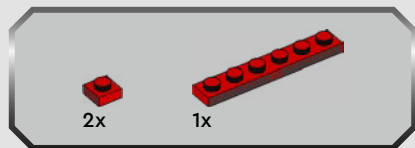


34

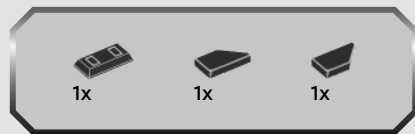
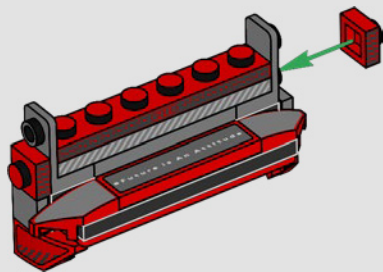


35

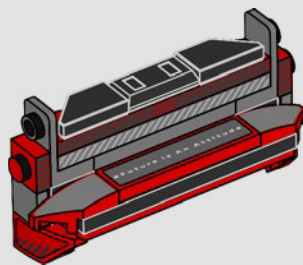




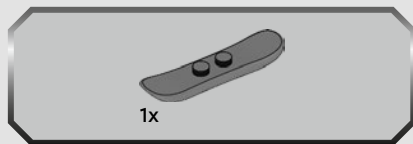
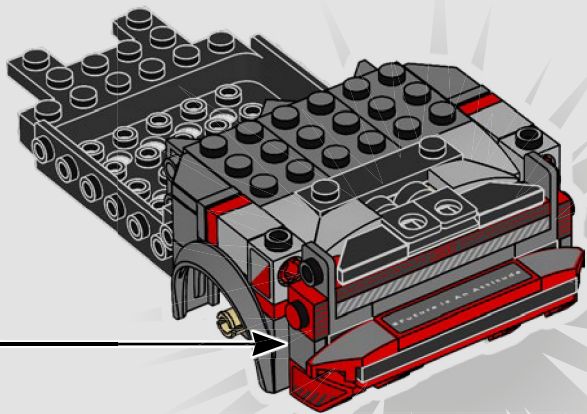
36



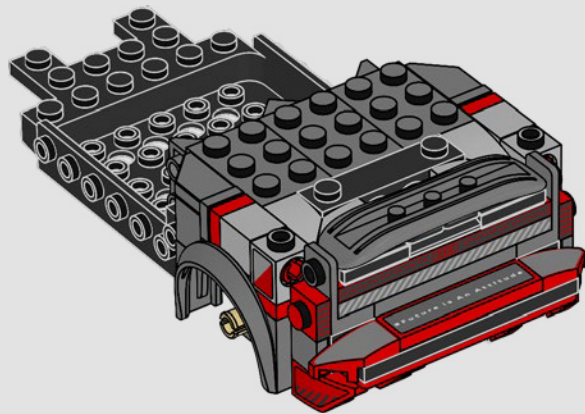
37

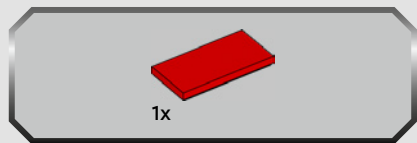


38

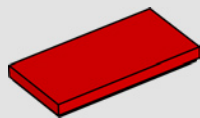


39

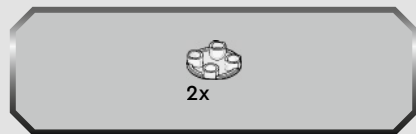
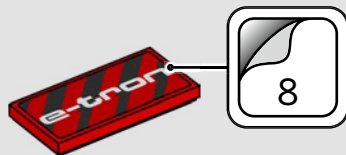




40



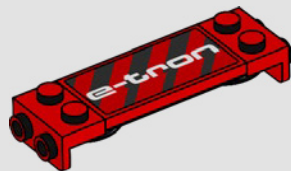
41

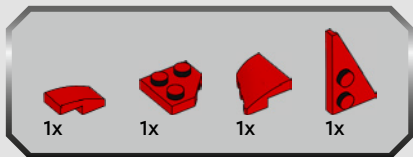


42

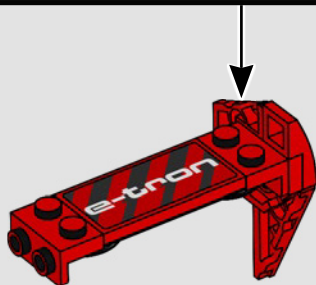
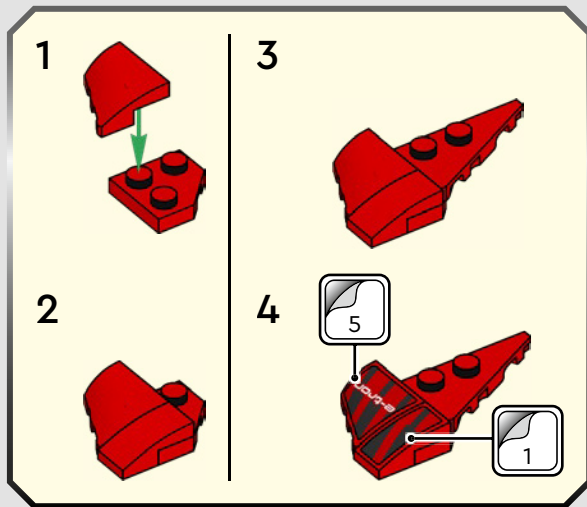


43

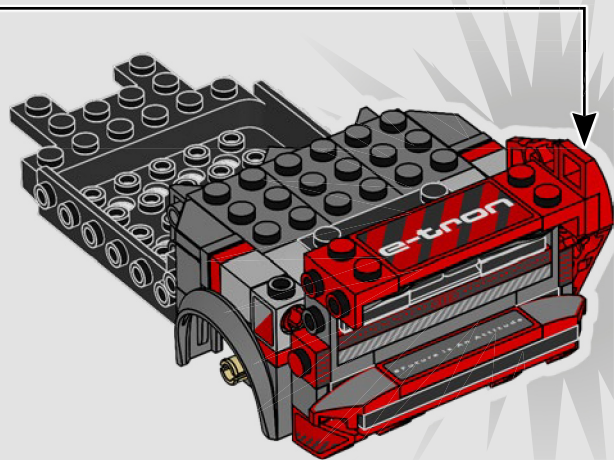


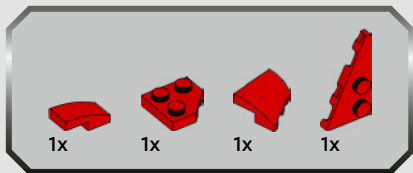


44

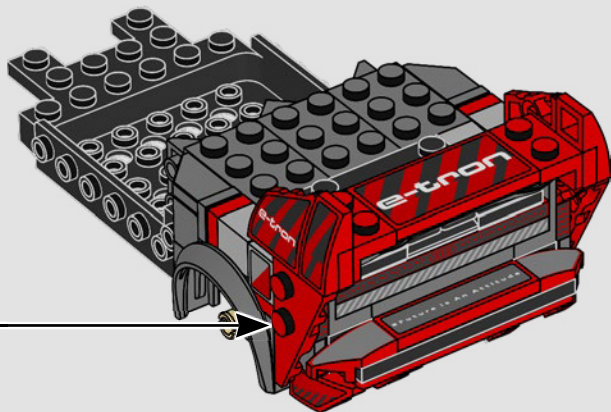
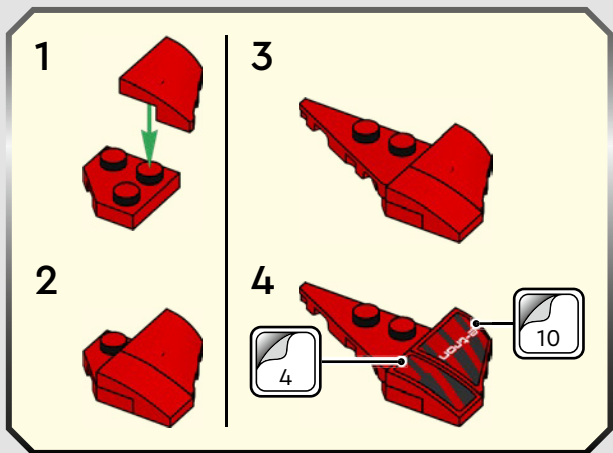


45

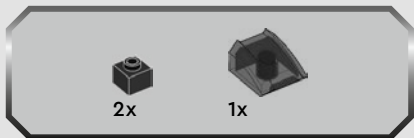




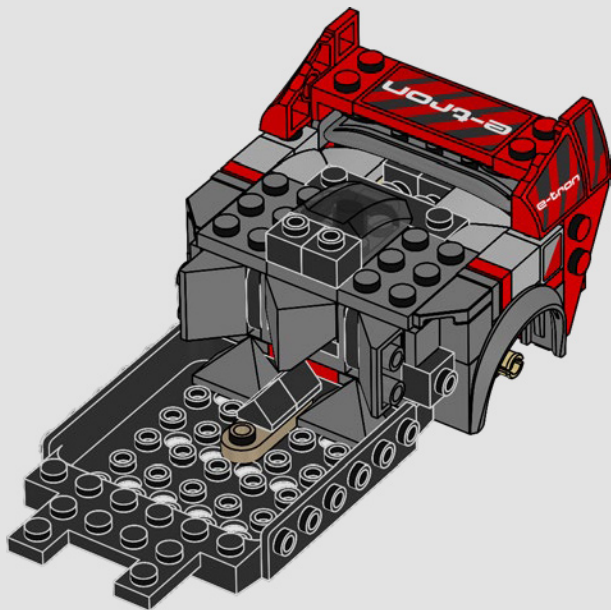
# 46

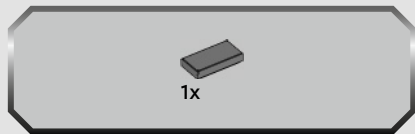




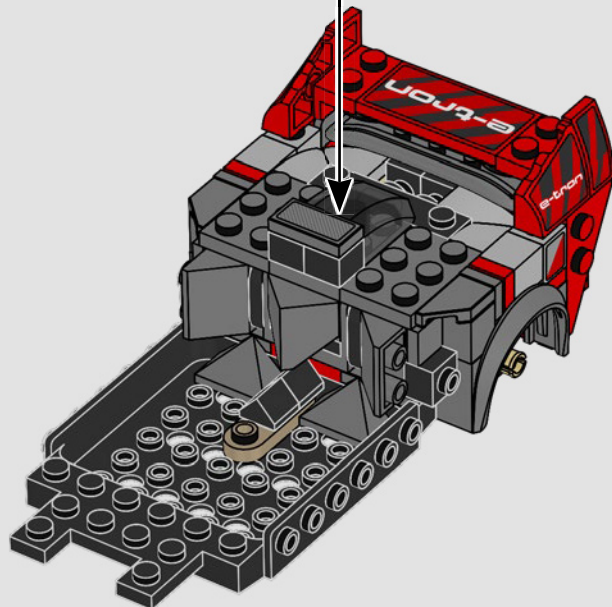
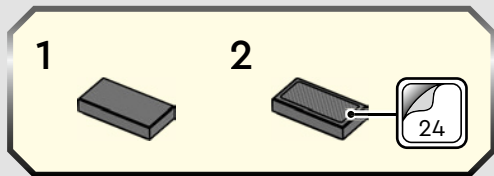


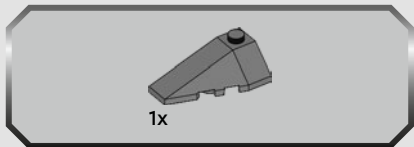
47



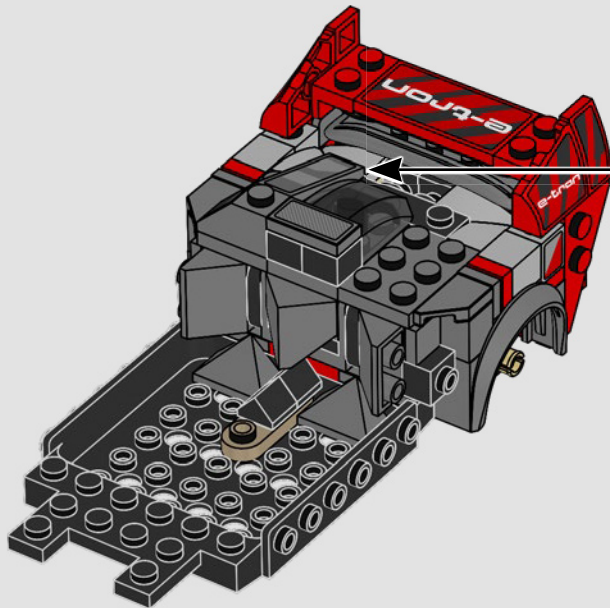


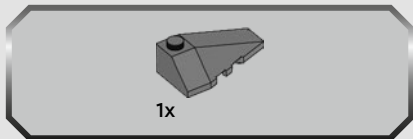
48



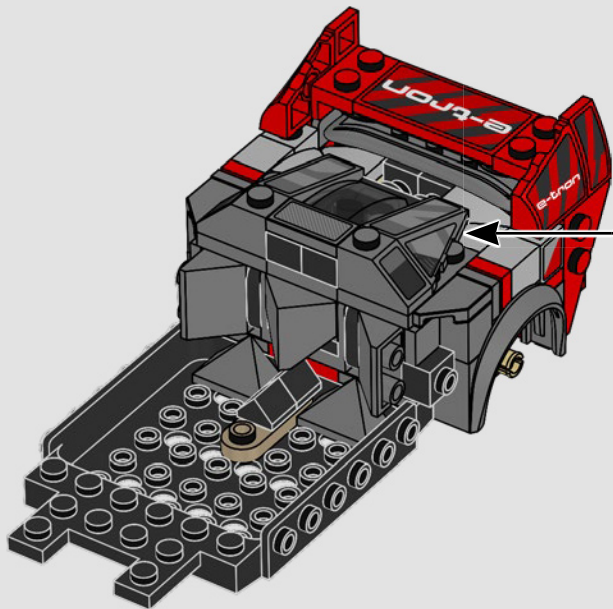
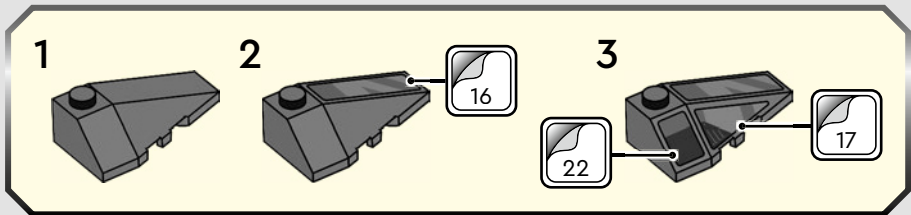


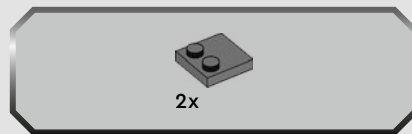
49



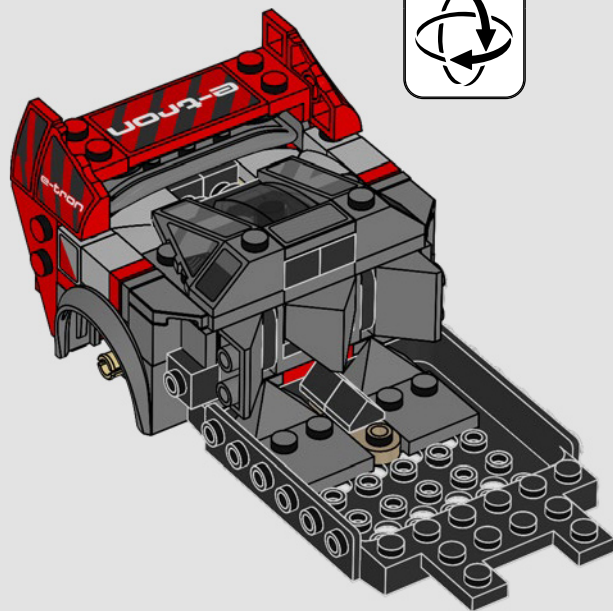


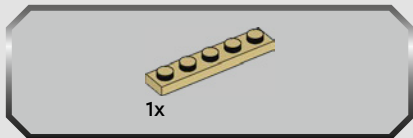
50



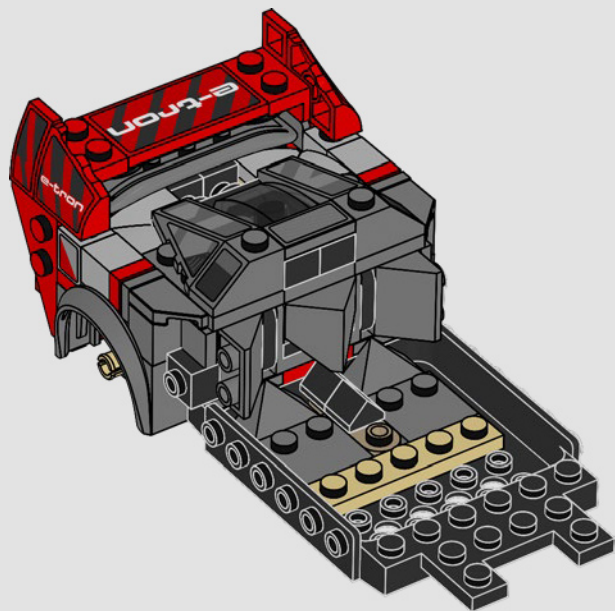


51

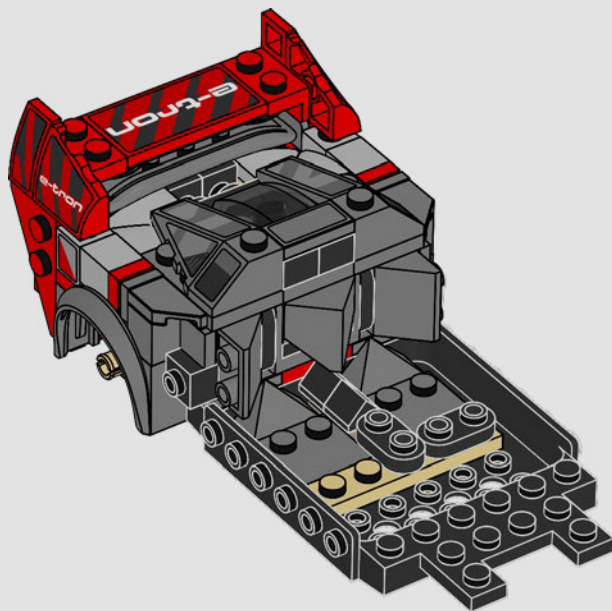


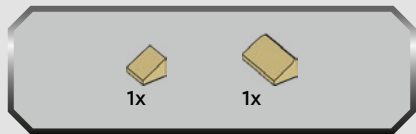


52

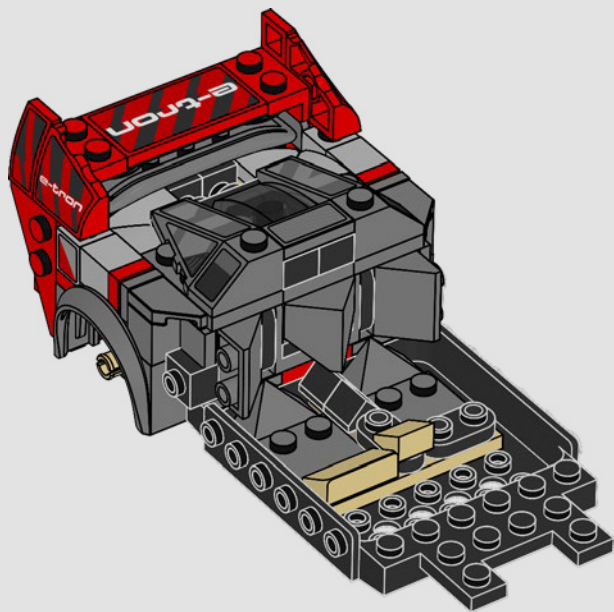


53

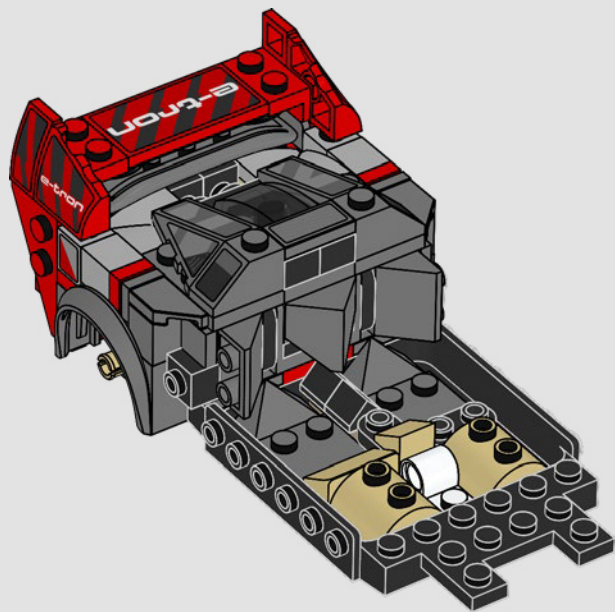




54

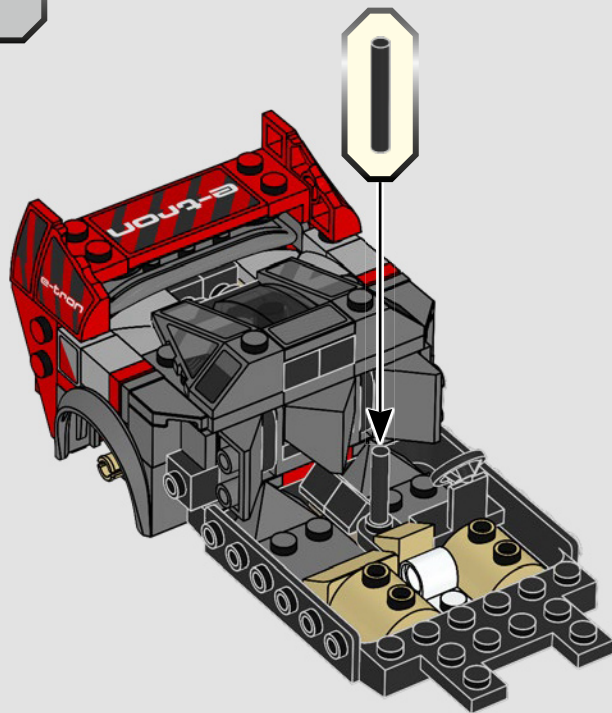


55





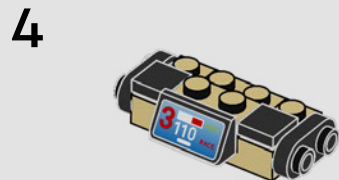
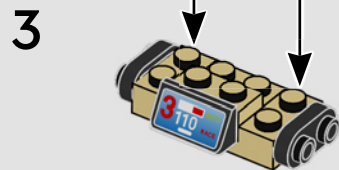
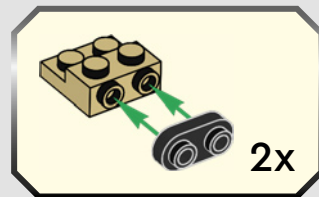
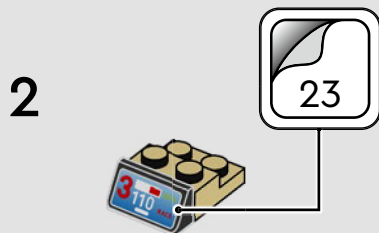
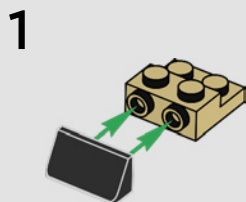
56

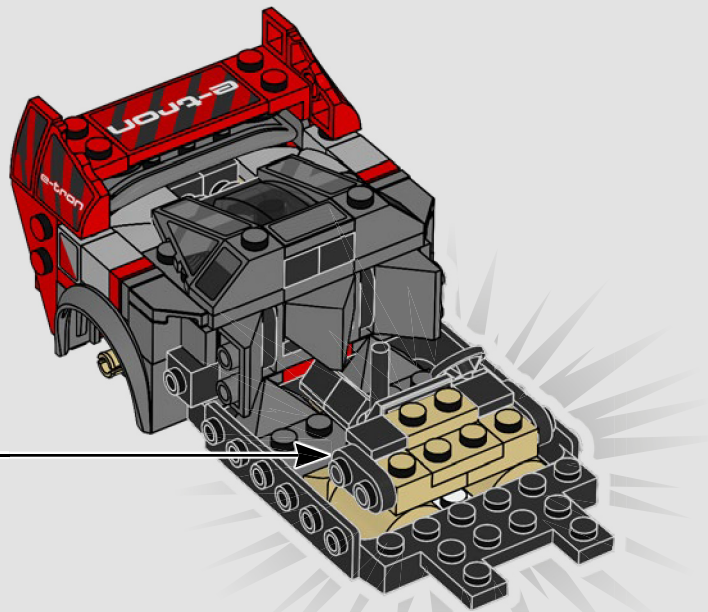


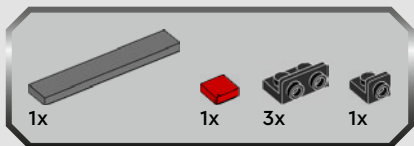




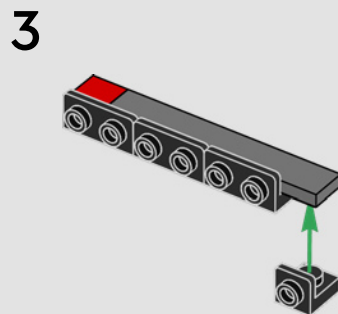
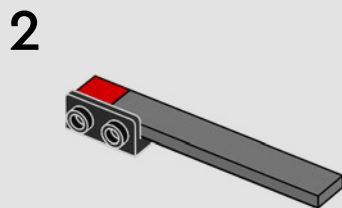
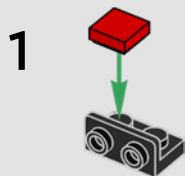
57



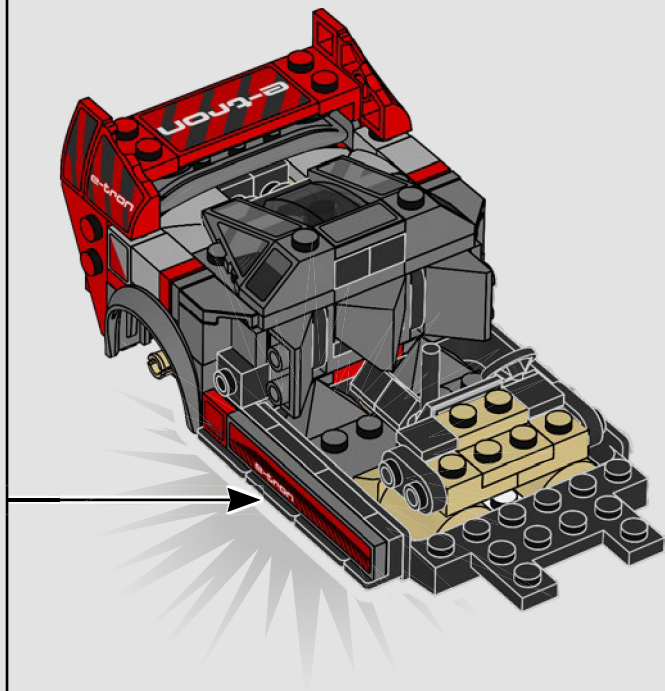
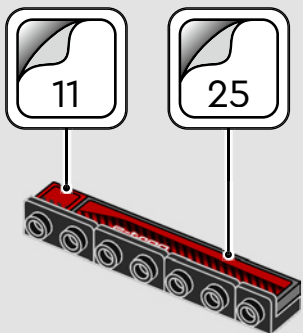


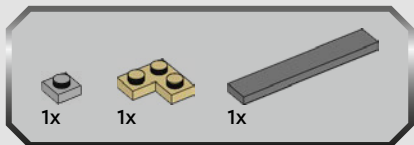


58

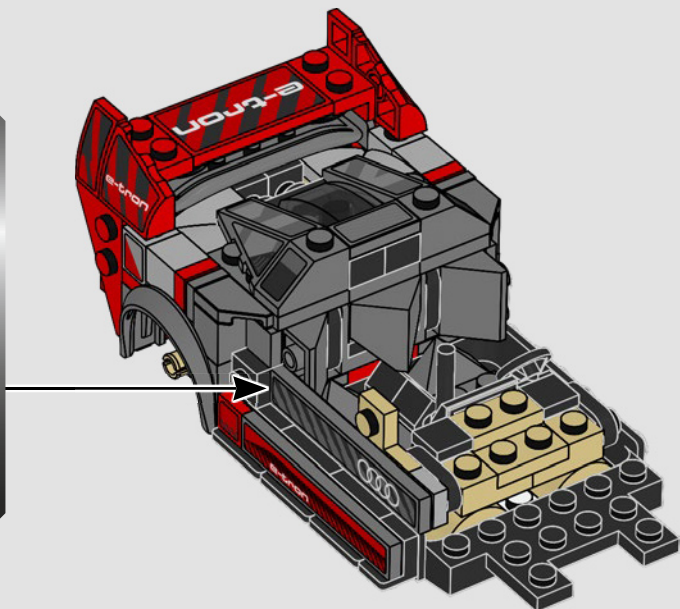
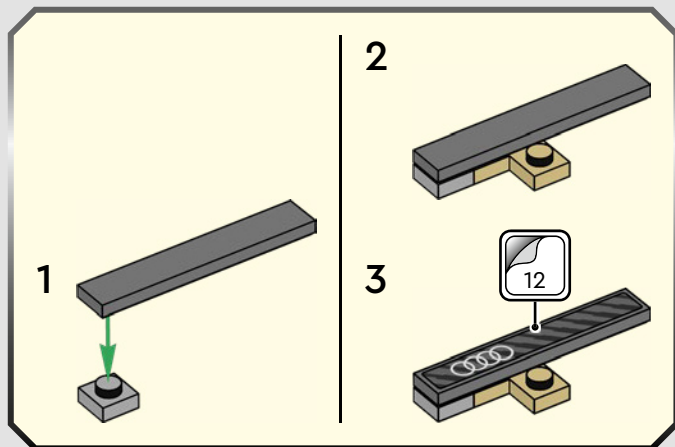


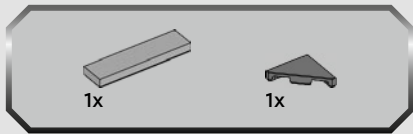
4



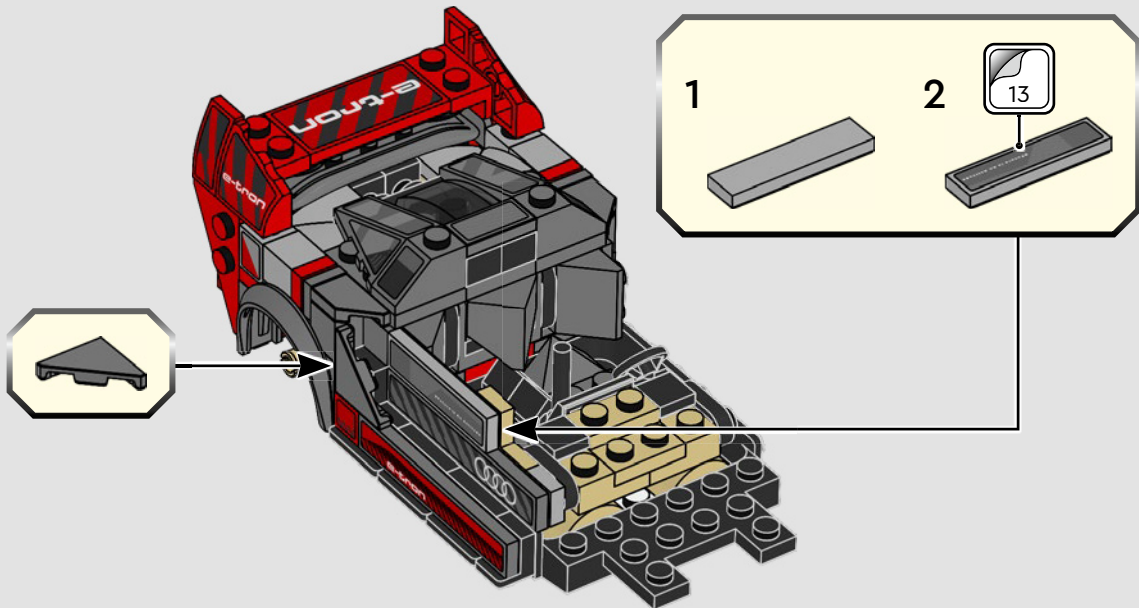


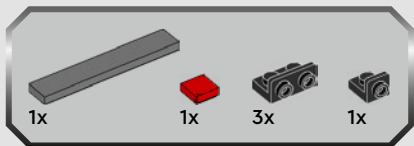
59



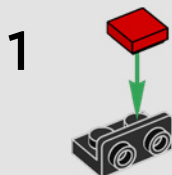


60

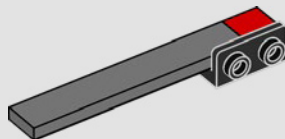




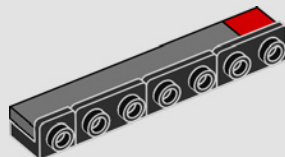
61



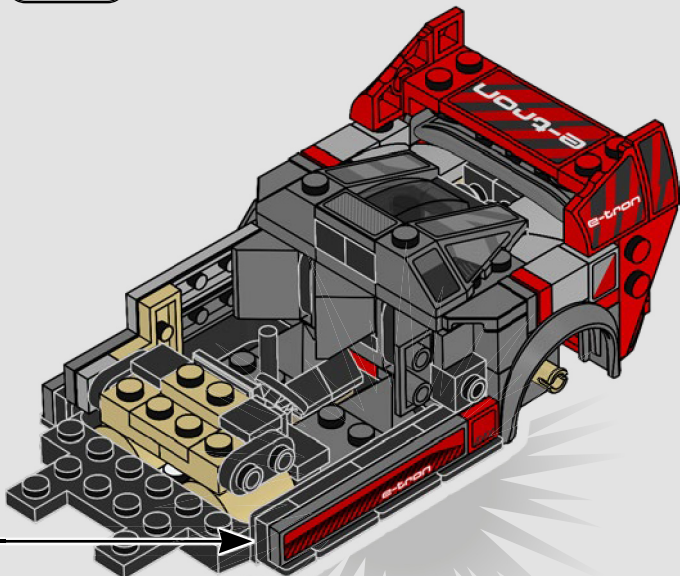
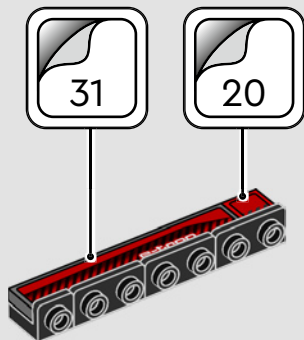
2



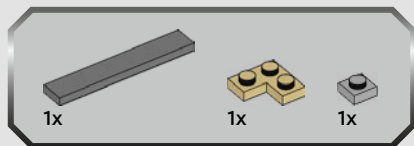
3



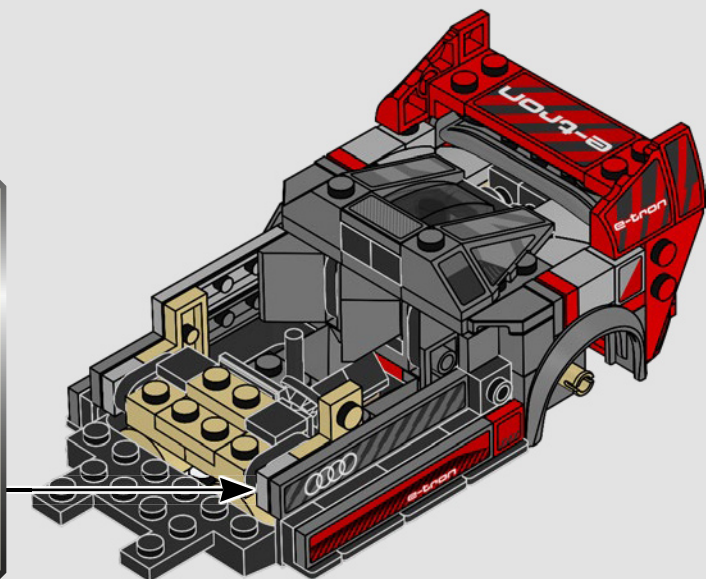
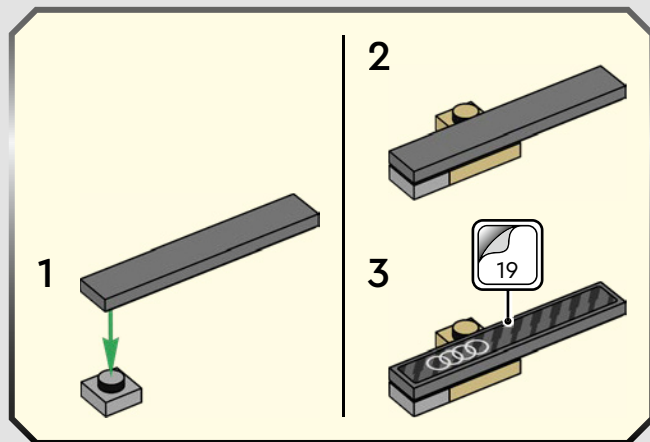
4

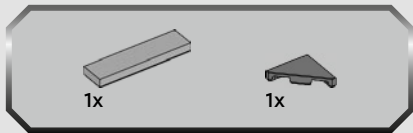




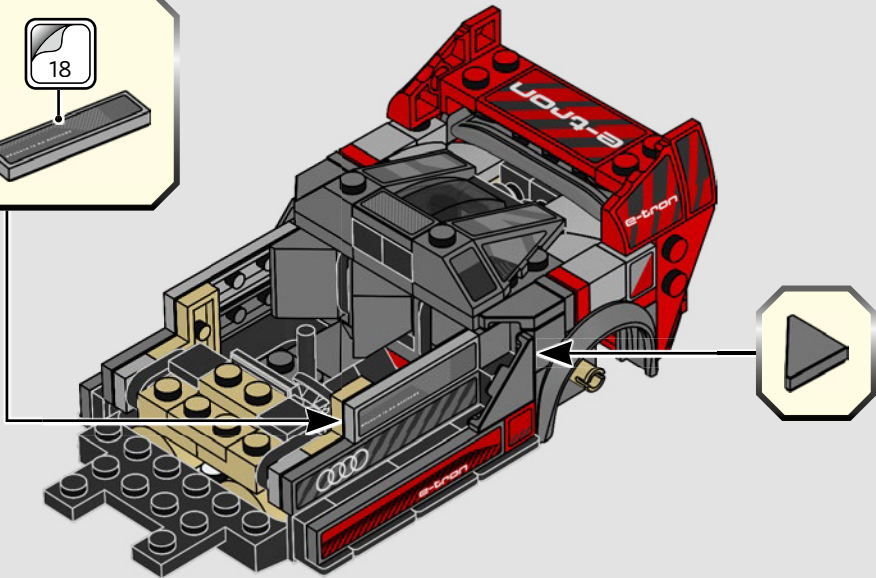
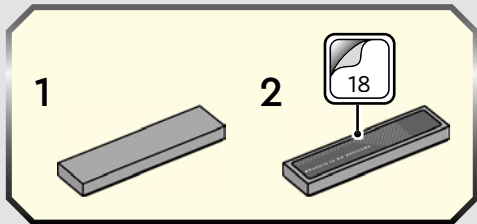


62





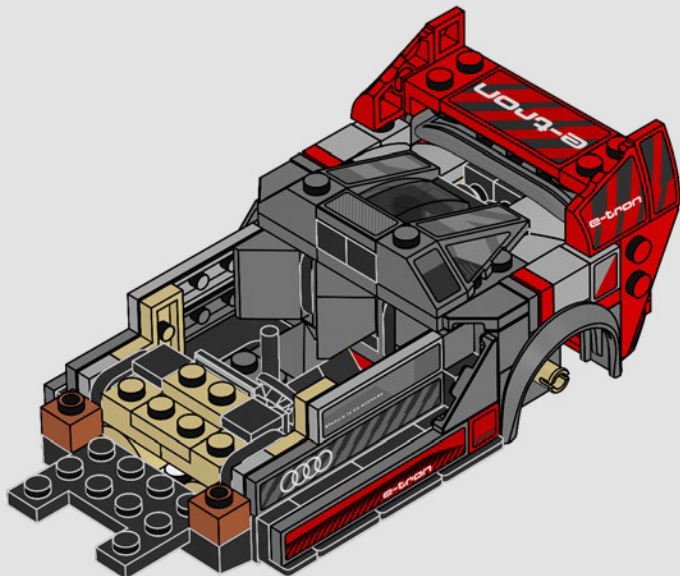
63

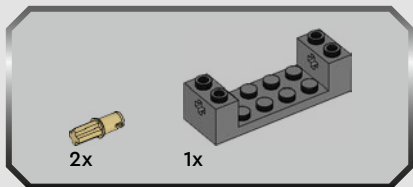




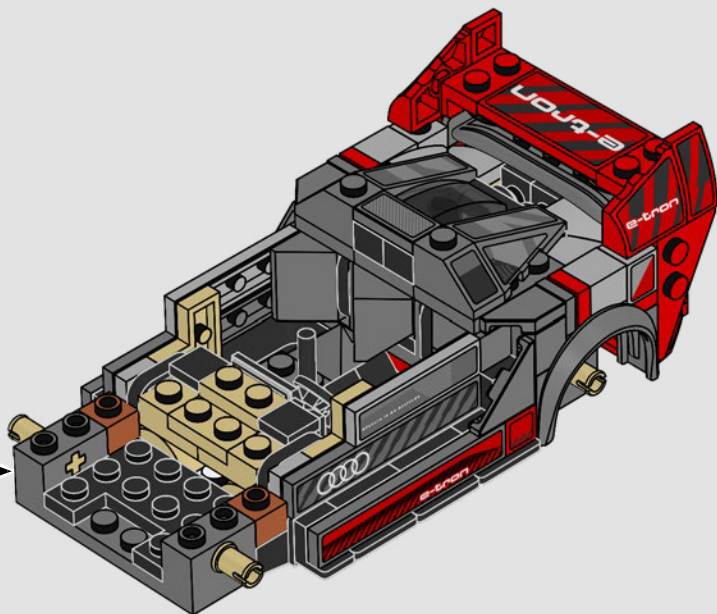
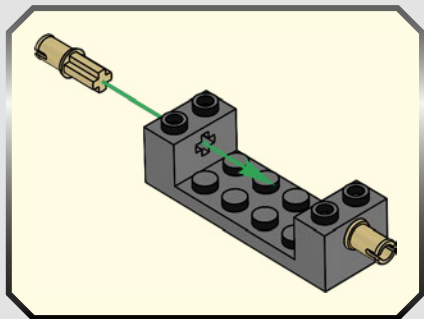
2x

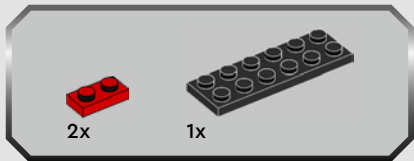
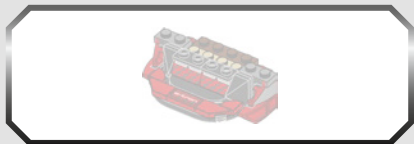
64



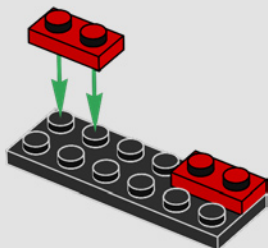


65

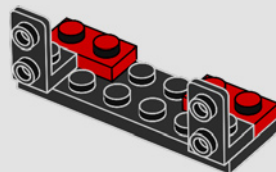


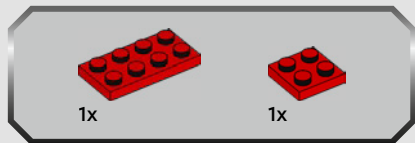


66

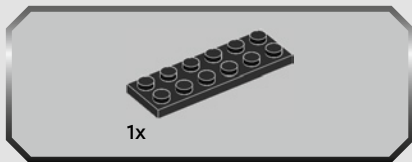
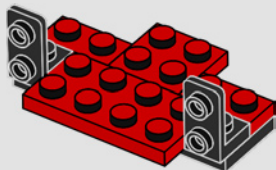


67

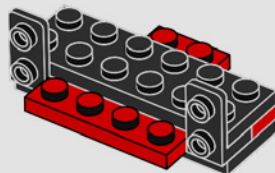




68

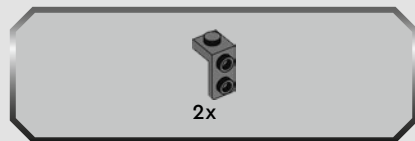
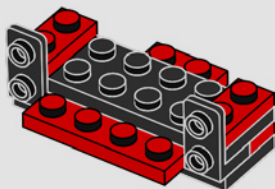


69

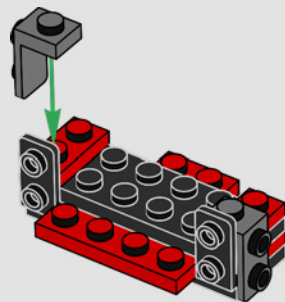




70

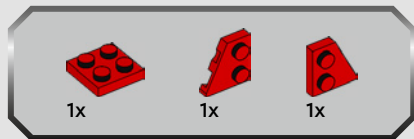
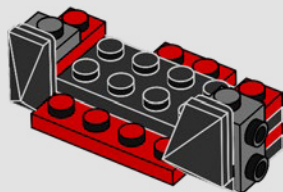


71

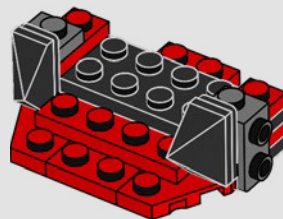




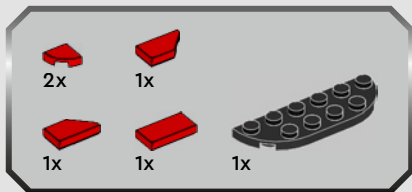
72



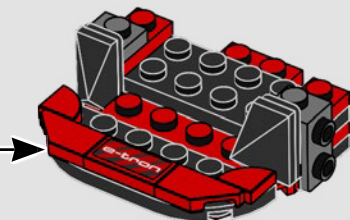
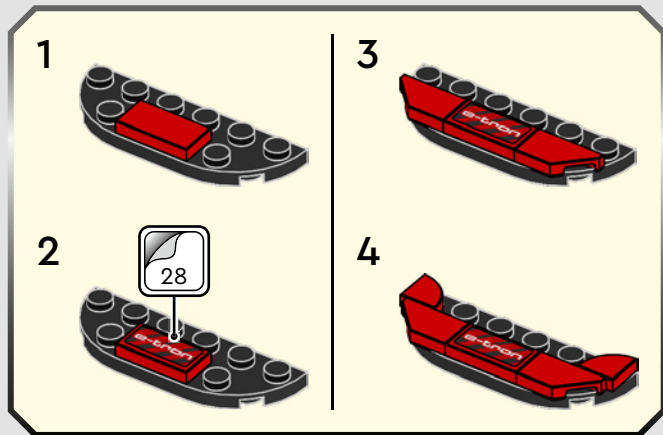
73





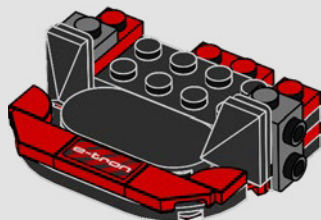


74

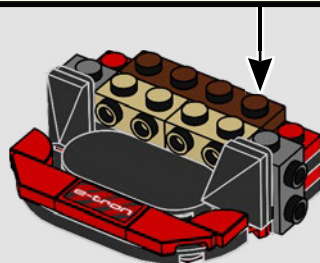
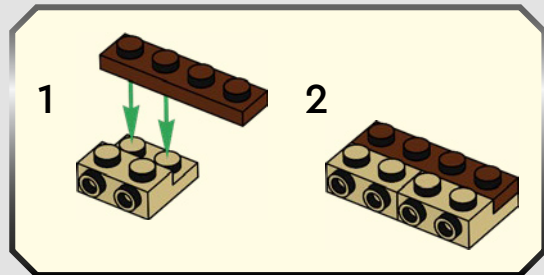




75

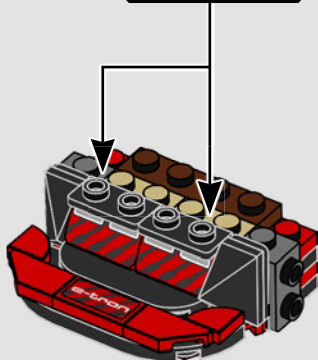
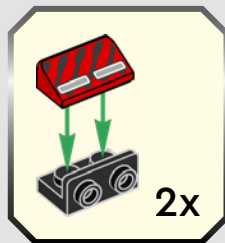


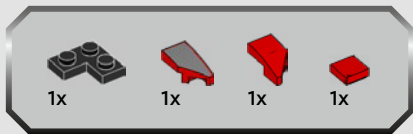
76



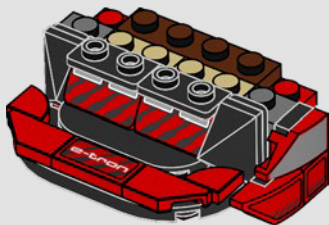
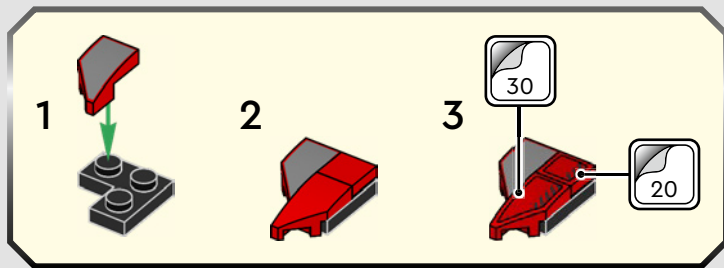


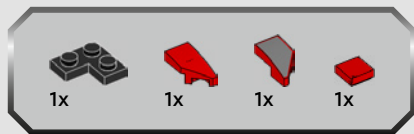
77



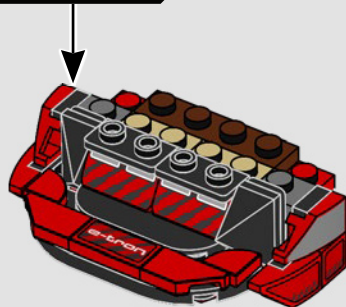
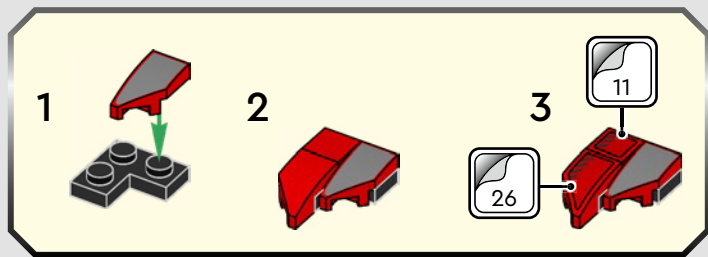


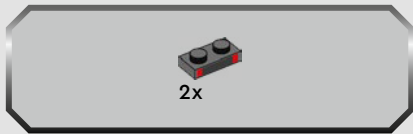
78



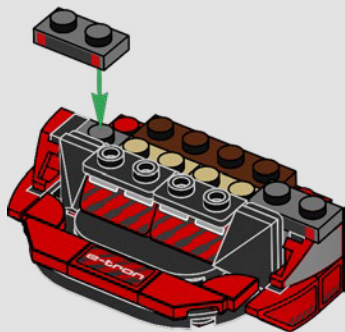


79

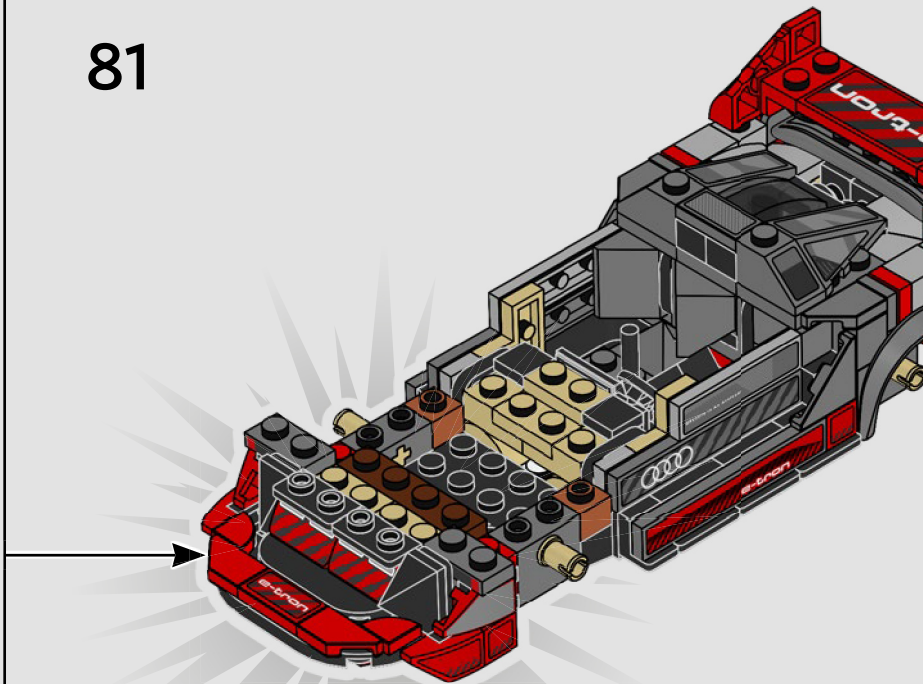




80



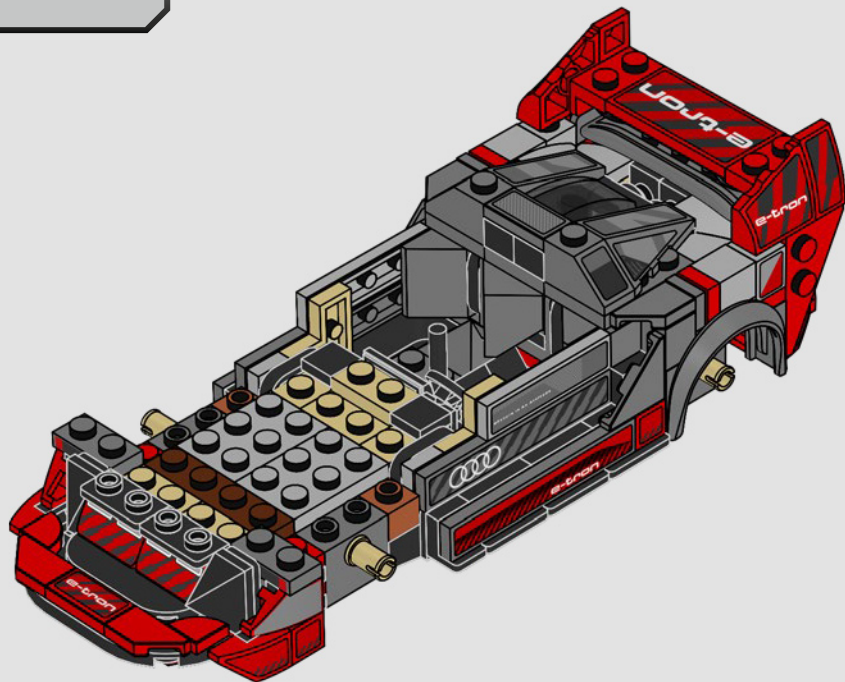
81

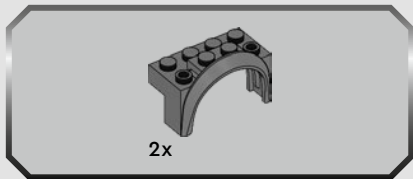




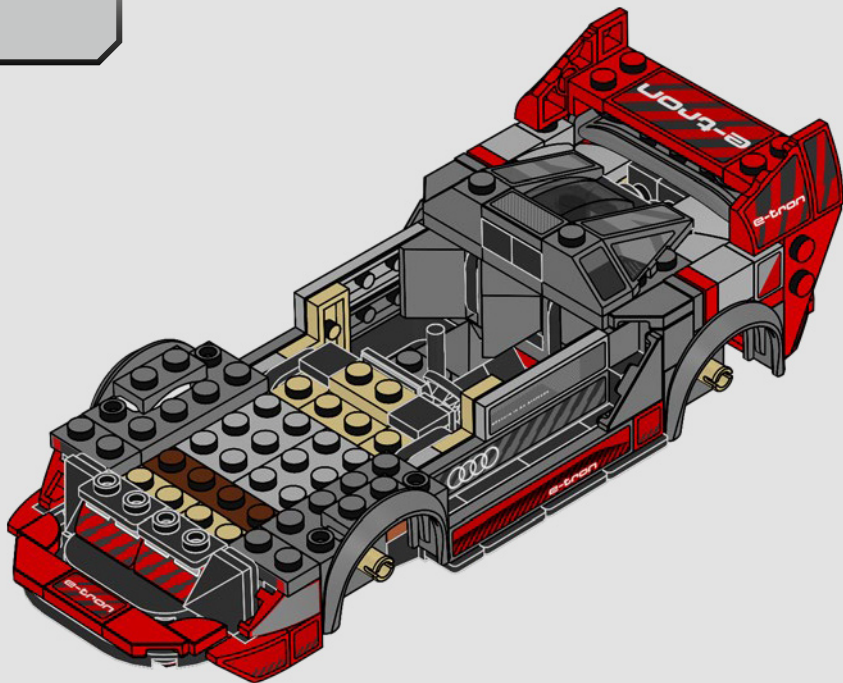
2x

82

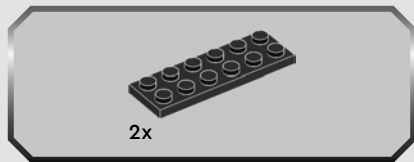




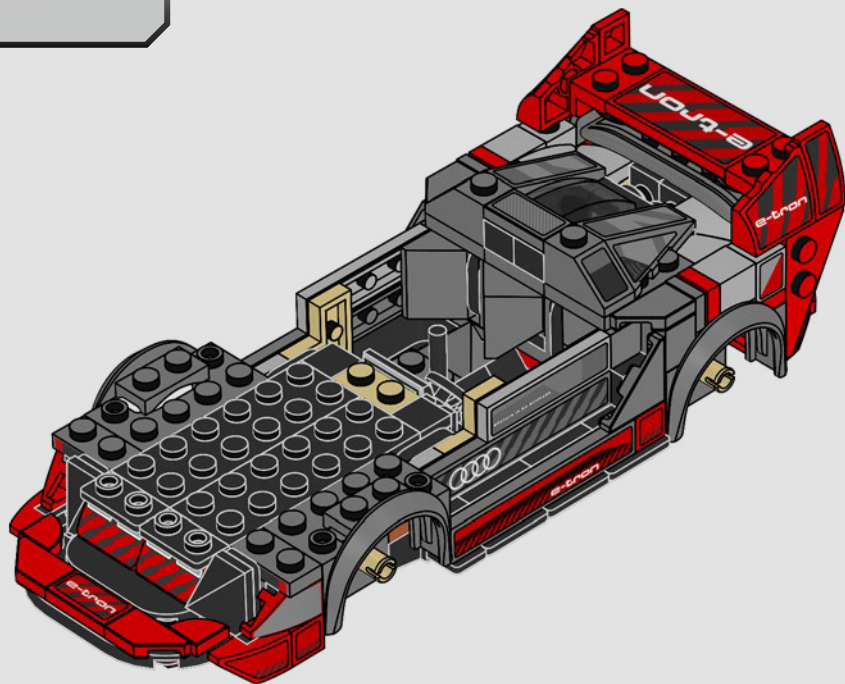
83

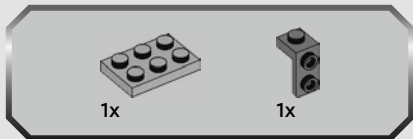




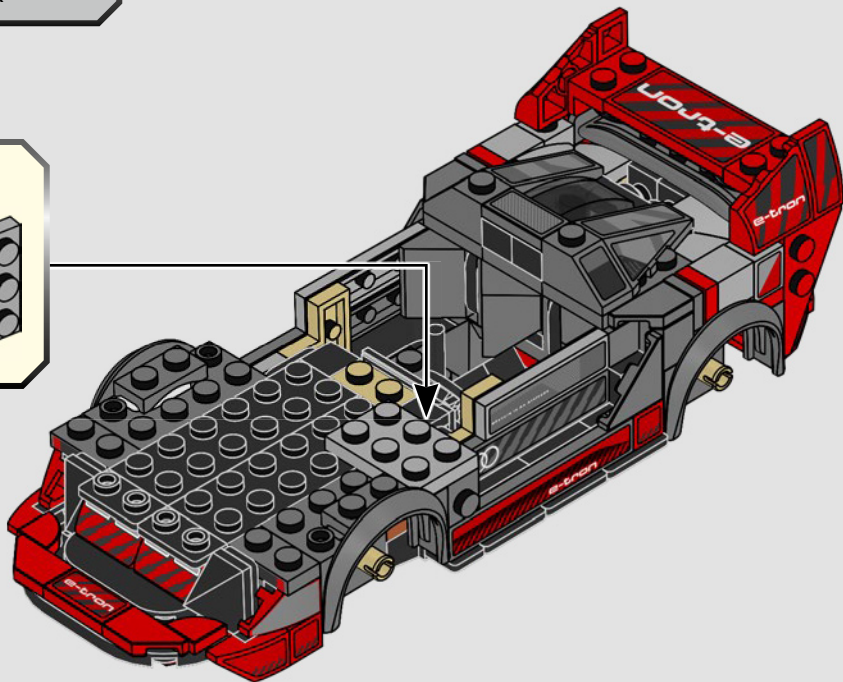
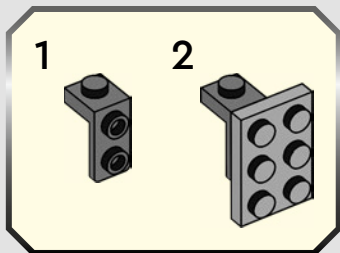


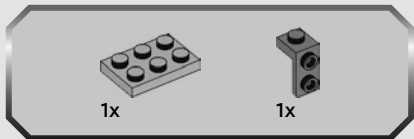
84



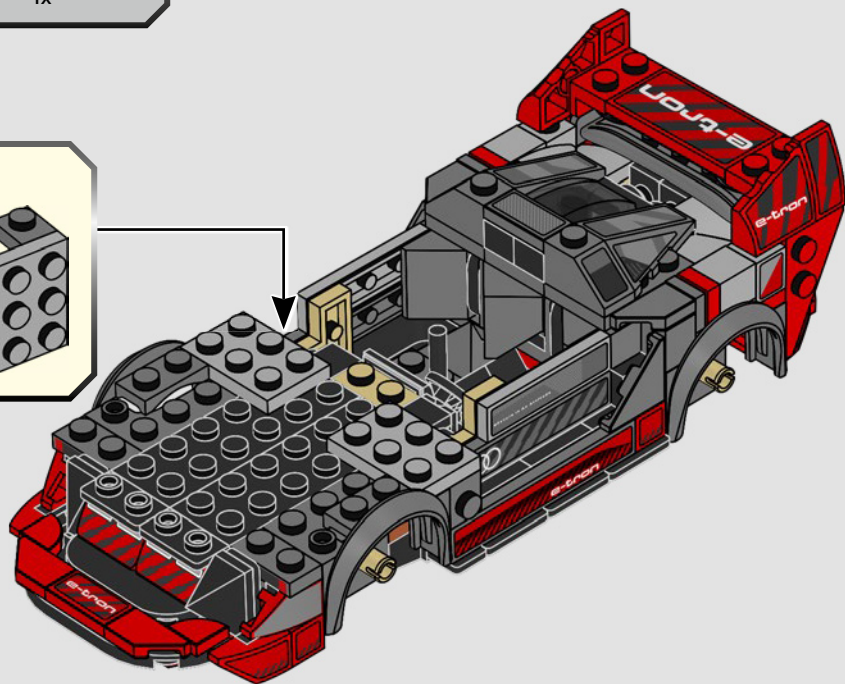
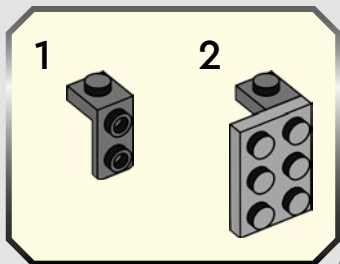


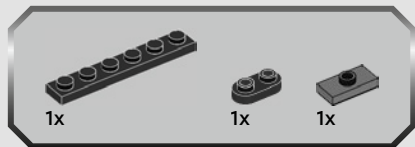
85



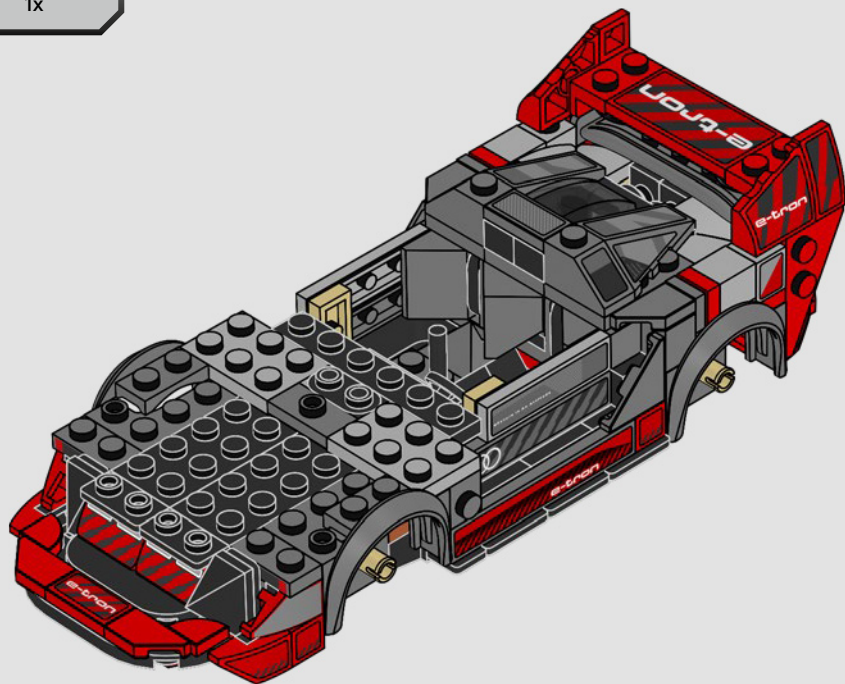


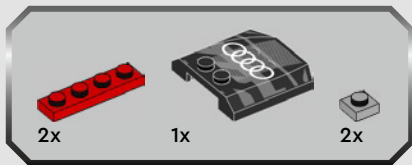
86



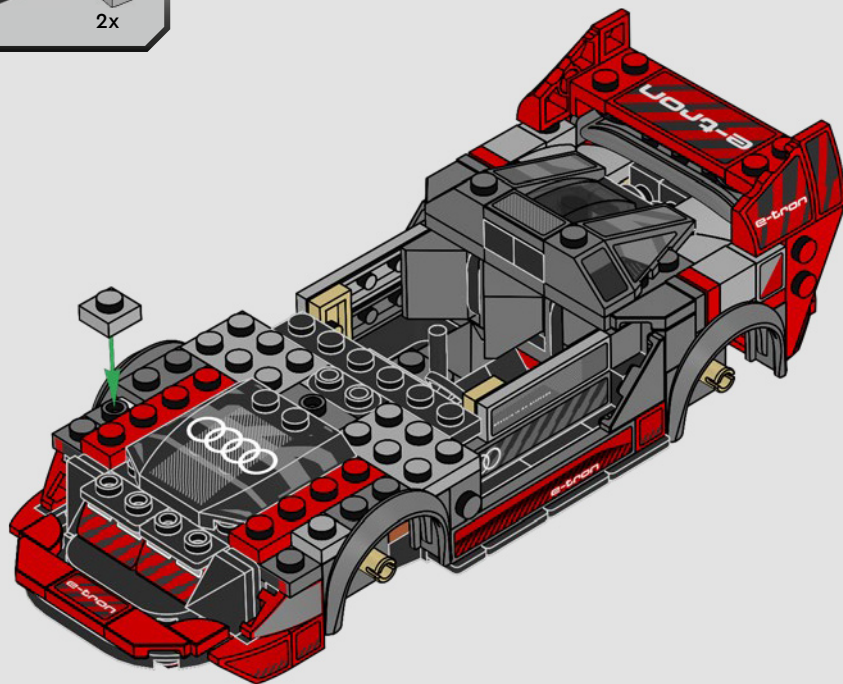


87





88



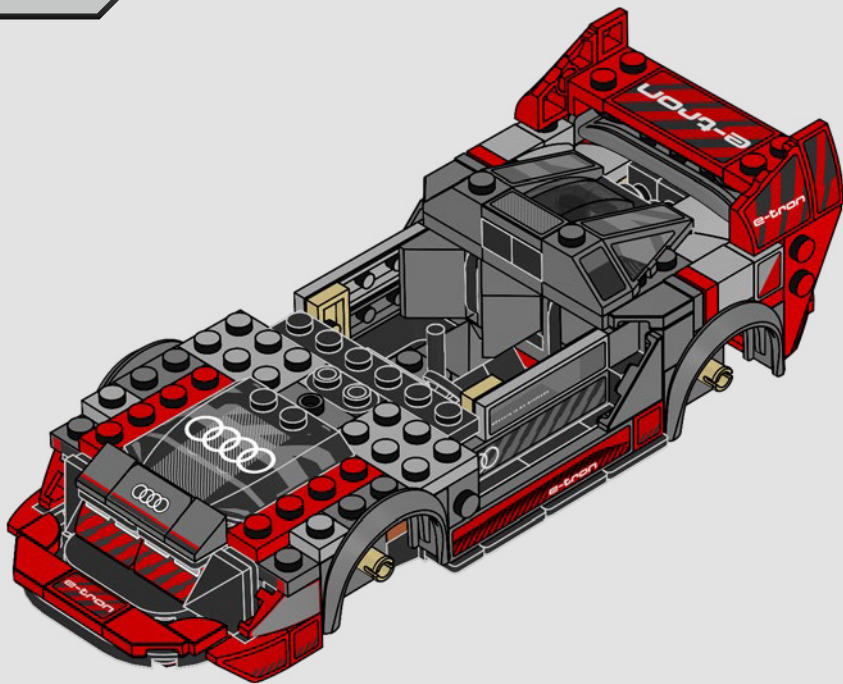


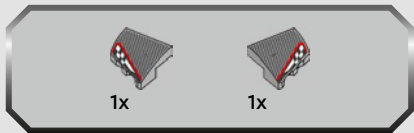
1x



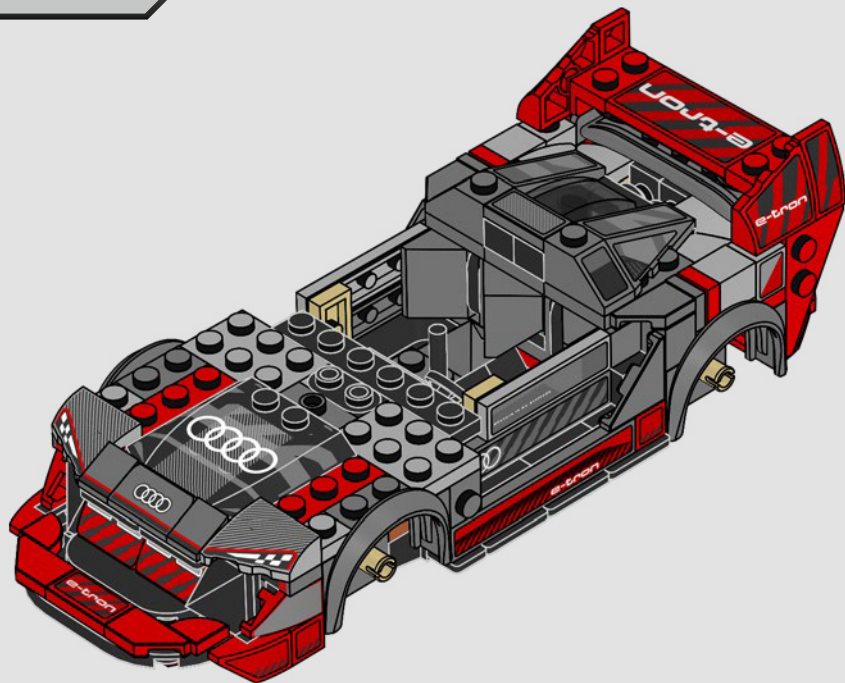
2x

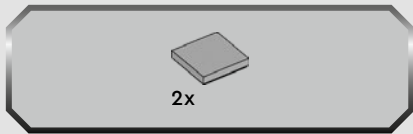
89



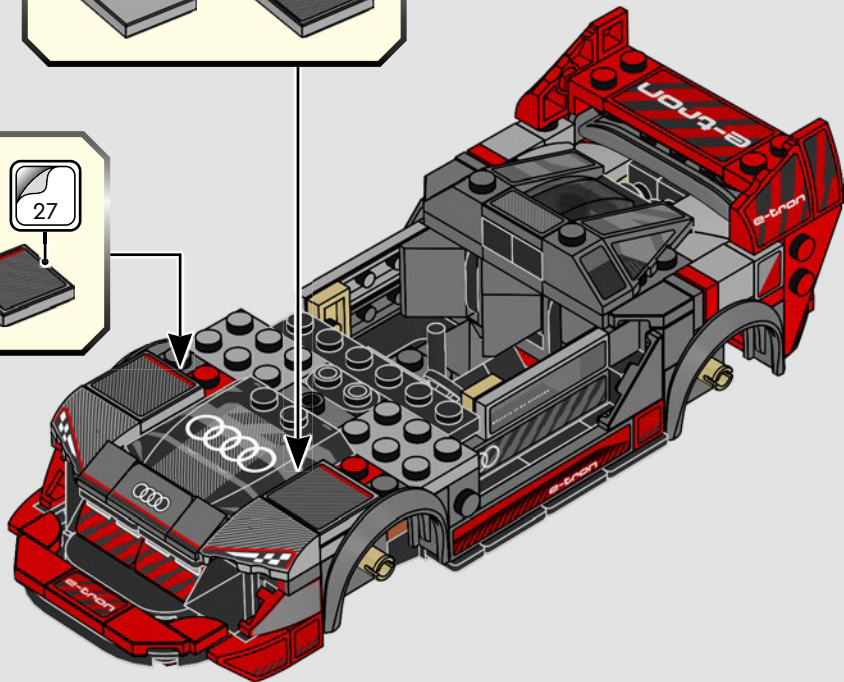
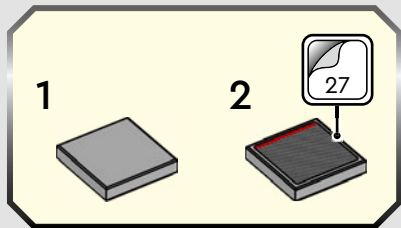
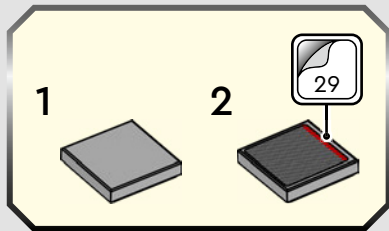


90

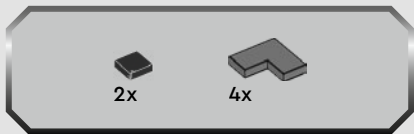




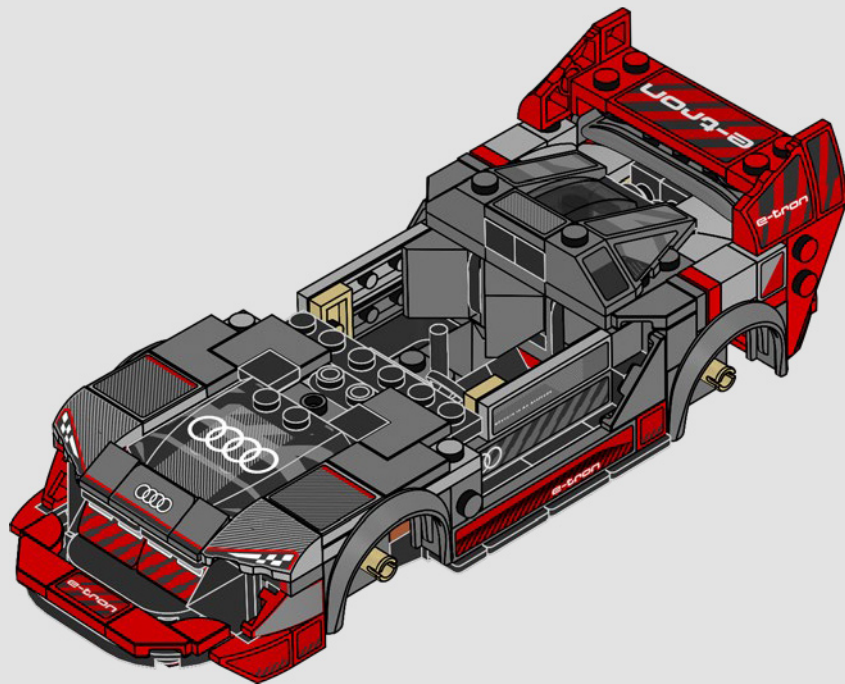
91

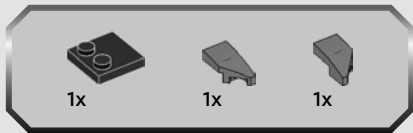




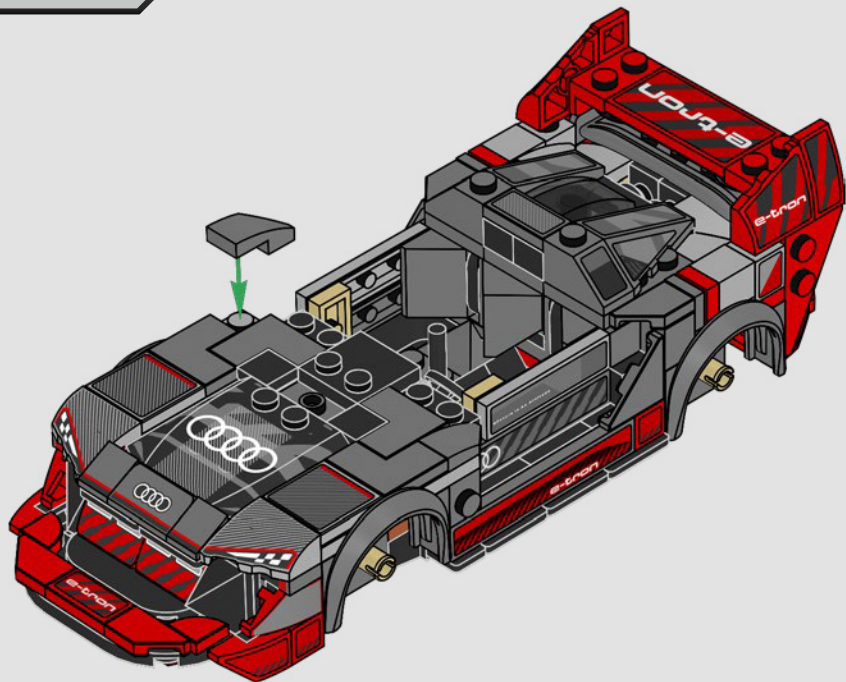


92



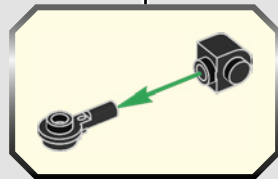
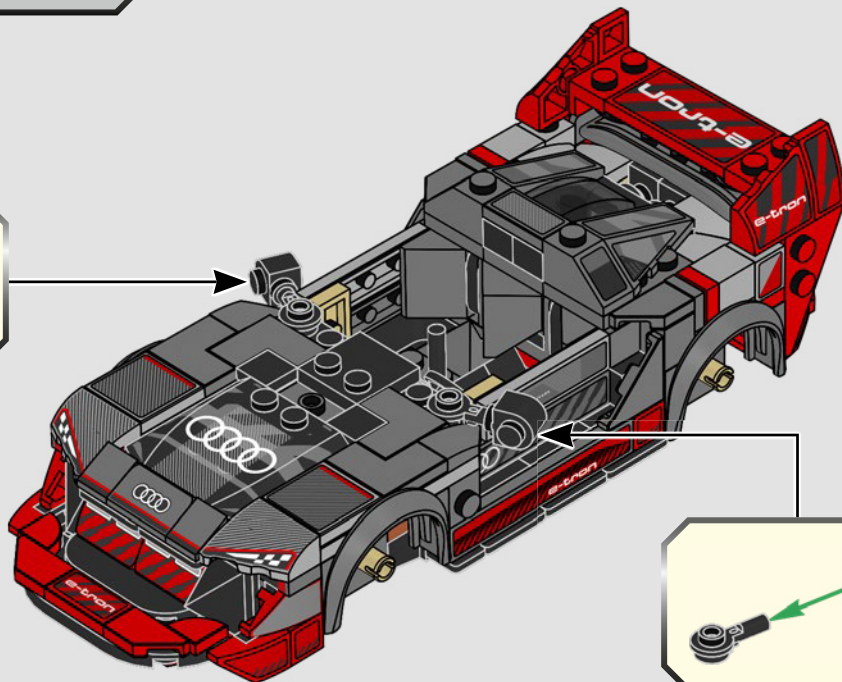
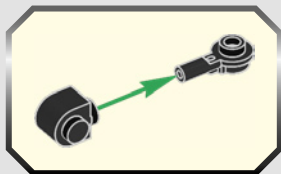


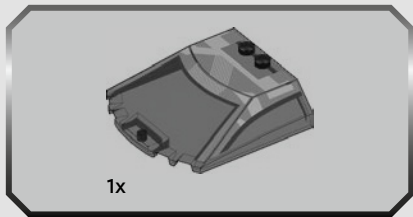
93



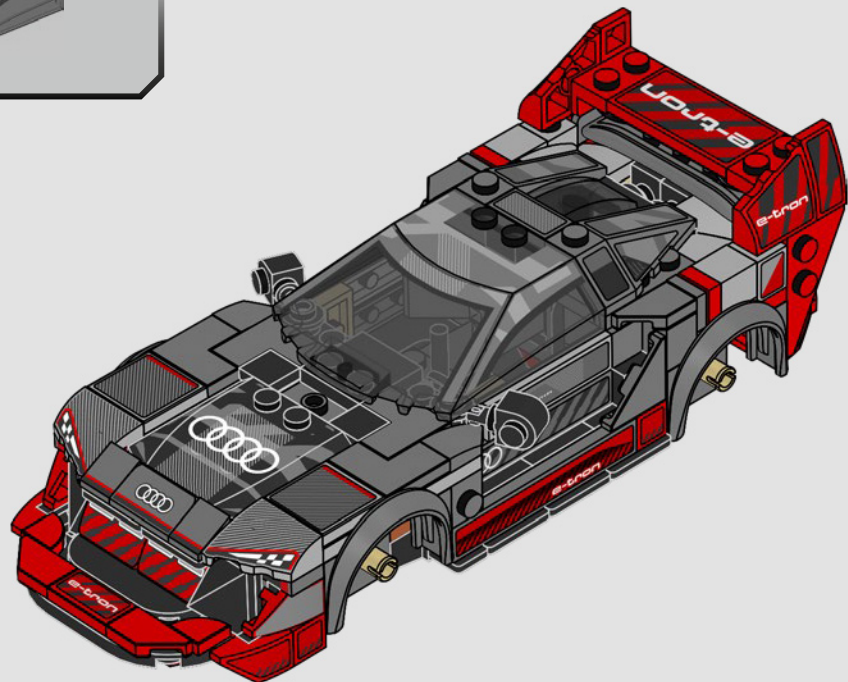


94





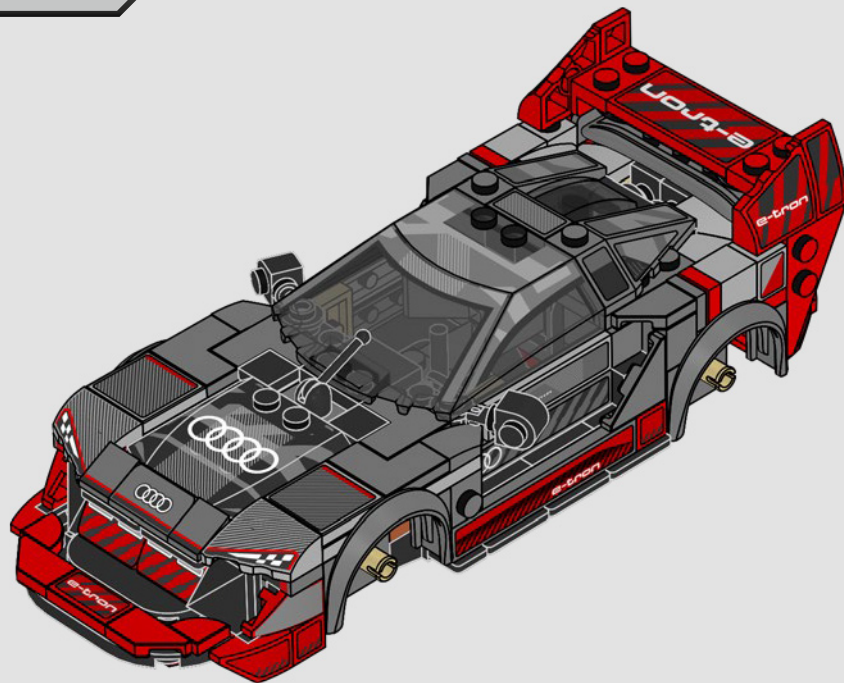
95

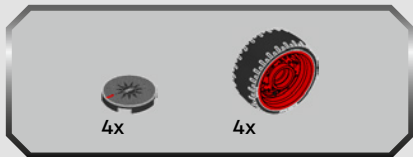




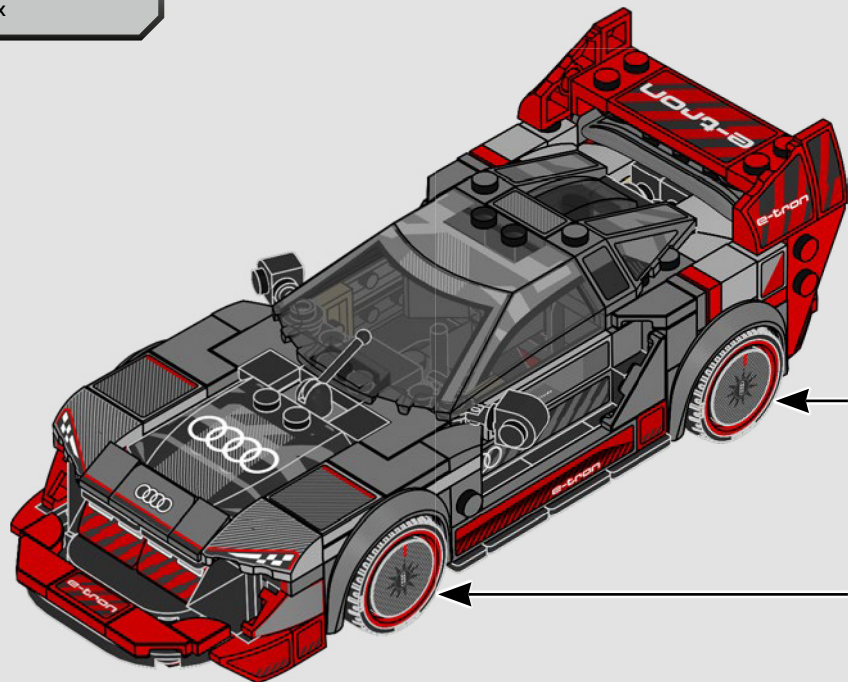
1x

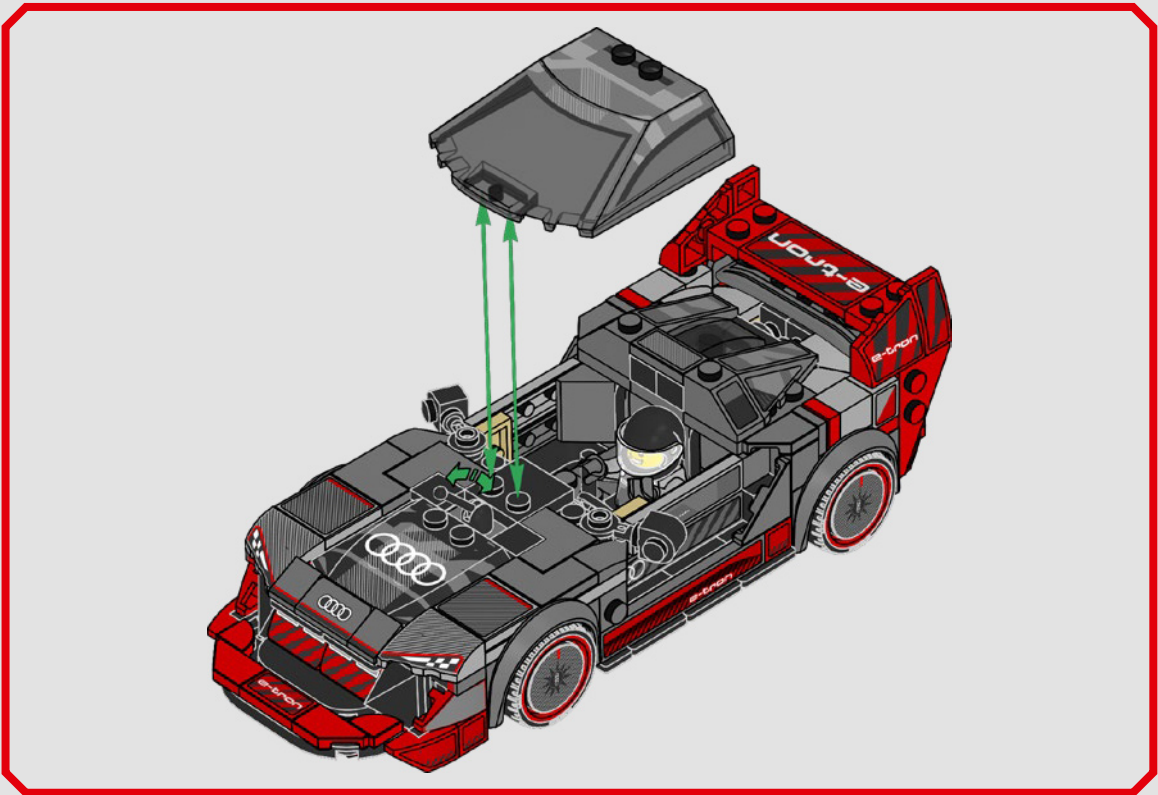
96

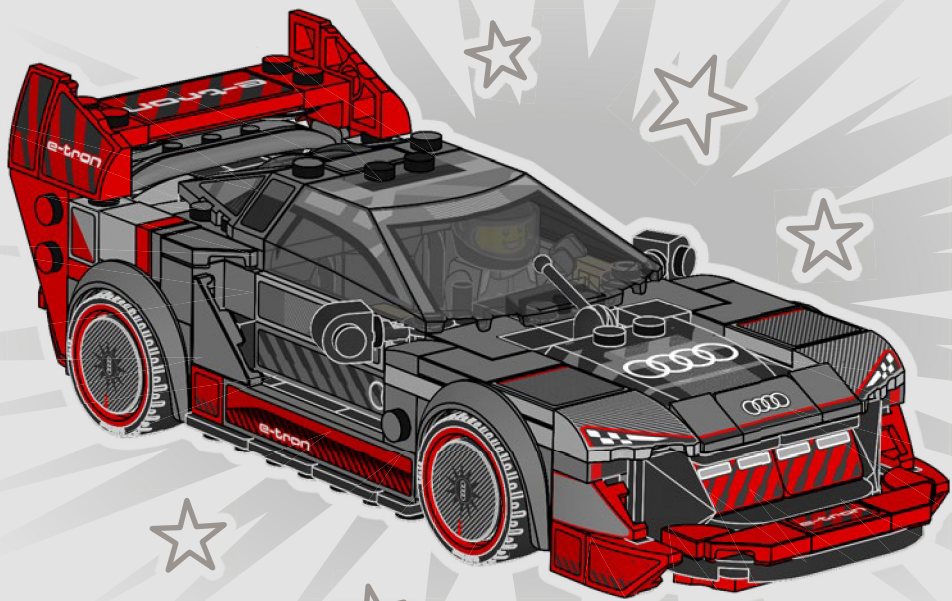




97











# SPEED CHAMPIONS



76922



76919



76920


























































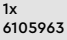










76921

The BMW logo, the BMW word mark and the BMW model designation are trademarks of BMW AG and are used under license.

Manufactured under license from McLaren Racing Limited. 'McLaren' is a trademark of McLaren Services Limited.

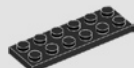
Ford Motor Company Trademarks and Trade Dress used under license to the LEGO Group.

Trademarks, design patents and copyrights are used with the approval of the owner AUDI AG.

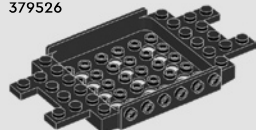
 1x 6057414	 2x 6378120	 1x 6286513	 3x 6319330	 1x 6472244	 2x 6170566	 1x 4548180	 1x 6192346
 1x 4516055	 2x 6170390	 3x 6177507	 1x 6477762	 1x 6477769	 2x 6170808	 2x 6051508	 1x 400626
 2x 6352222	 4x 307021	 2x 6472239	 2x 302221	 1x 6153335	 2x 6234695	 4x 6472246	 1x 6099483
 4x 4666579	 4x 6472242	 2x 6472241	 4x 6477787	 1x 73587	 2x 6335317	 1x 6458187	 1x 6331483
 1x 4624086	 3x 6177505	 1x 6477758	 2x 371021	 2x 6186675	 2x 6380236	 1x 73081	 1x 6254045
 4x 4124455	 2x 6472240	 1x 6477745	 1x 243121	 2x 6424674	 1x 6458188	 1x 6275732	 1x 6472248
 2x 6174929	 1x 6477751	 11x 302321	 1x 302021	 2x 6256435	 1x 4298619	 1x 6156991	 8x 6020193
 2x 4114077	 1x 6141552	 1x 306921	 1x 4560179	 4x 307026	 2x 6308000	 8x 6020193	 1x 6105963
 5x 6469454	 1x 6286516	 2x 6173961	 1x 300921	 2x 6439560	 7x 6021070	 1x 6093525	 4x 366626
 1x 6351905	 1x 6141553	 2x 6029946		 4x 6388352	 2x 6196548		



1x  
6064228



5x  
379526



1x  
6424673



1x  
4211190



1x  
4221590



2x  
4211535



2x  
6225139



4x  
4211399



2x  
6225142



2x  
4211389



1x  
6472253



1x  
6472250



1x  
6472249



2x  
4211413



1x  
6480720



2x  
4211396



2x  
4211386



2x  
4211356



2x  
6382577



1x  
4529755



1x  
6244787



2x  
6163901



1x  
6449564



6x  
4210848



2x  
4211044



2x  
6486103



1x  
6204668



4x  
6336390



4x  
6435043



1x  
6477756



1x  
6204667



2x  
6076203



1x  
6472251



1x  
6477749



1x  
6174938



3x  
4211052



2x  
6472243



1x  
6092572



2x  
6262025



2x  
4211000



2x  
6309059



4x  
6247784



5x  
4211043



2x  
4211001



1x  
4210867



1x  
4210866



4x  
6424675



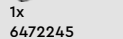
1x  
6481988



4x  
6184484



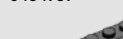
2x  
6469825



1x  
6472245



2x  
6454959



1x  
4211099



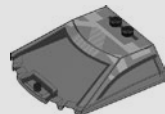
4x  
6184484



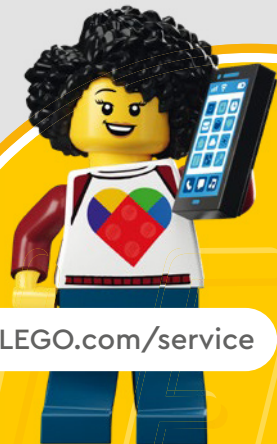
2x  
6469825



1x  
6481989

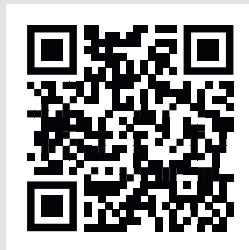


1x  
6472238



 [LEGO.com/service](https://www.LEGO.com/service)

YOU COULD **WIN**



Scan this QR code or go to **LEGO.COM/PRODUCTFEEDBACK** and give us your short feedback about this LEGO® set for a chance to win a cool LEGO prize.

Terms and Conditions apply\*

**EN: YOU COULD WIN.** Terms and Conditions apply\* **DE: Du könntest GEWINNEN.** Es gelten die Teilnahmebedingungen\* **FR: Tu pourrais GAGNER.** Des conditions s'appliquent\* **IT: Potresti VINCERE tu.** Termini e condizioni sono applicabili\* **ES: Puedes GANAR.** Aplican términos y condiciones\* **PT: Poderá GANHAR.** Aplicam-se termos e condições\* **ZH: 轻松获奖. 条款和条件适用\*** **PL: Szansa na WYGRANĄ.** Obowiązują warunki korzystania\* **CS: Máte šanci VYHRÁT.** Platí všeobecné smluvní podmínky\* **SK: Máte šancu VYHRAŤ.** Platia všeobecné zmluvné podmienky\* **HU: TE IS NYERHETSZ.** Felhasználási feltételek érvényesek\* **RO: Ai putea CÂȘTIGA.** Se aplică termenii și condiții\* **BG: Можете да СПЕЧЕЛИТЕ.** Има определени правила и условия\* **LV: Tu vari LAIMĒT.** Ir spēkā noteikumi un nosacījumi.\* **ET: Sul on võimalus VÕITA.** Kehtivad tingimused\* **LT: Jūs galite LAIMĖTI.** Taikomos sąlygos\*

\*[LEGO.com/productfeedback-terms](https://www.lego.com/productfeedback/terms)

LEGO and the LEGO logo are trademarks of the LEGO Group. ©2024 The LEGO Group.  
Trademarks, design patents and copyrights are used with the approval of the owner AUDI AG.

6507094