

MEGA
CONSTRUX™

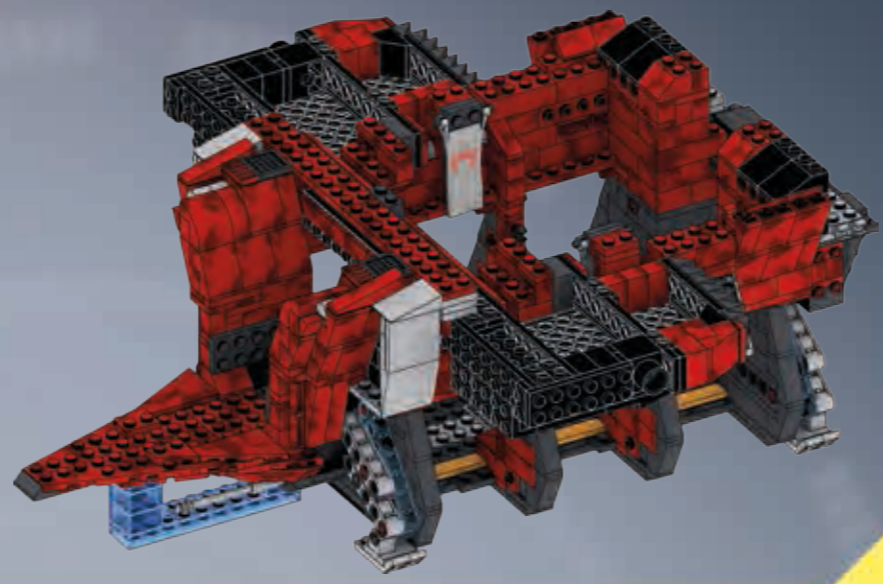


FFB61

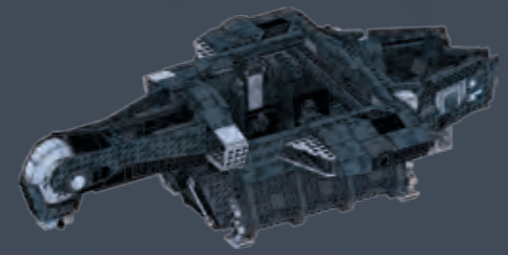








4 - 33



34 - 63



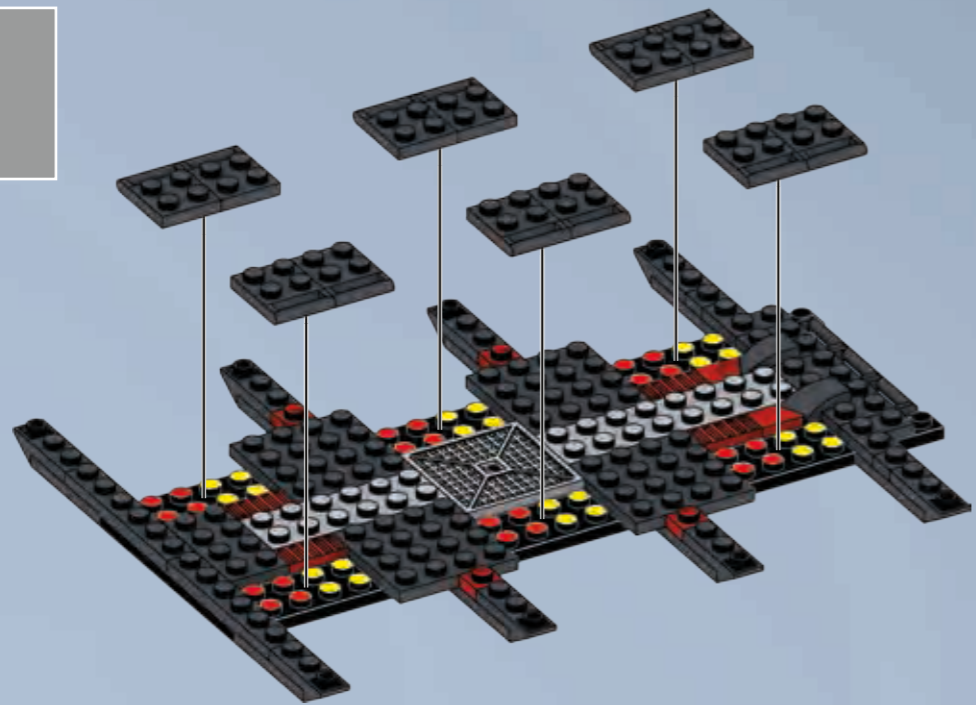
64-89



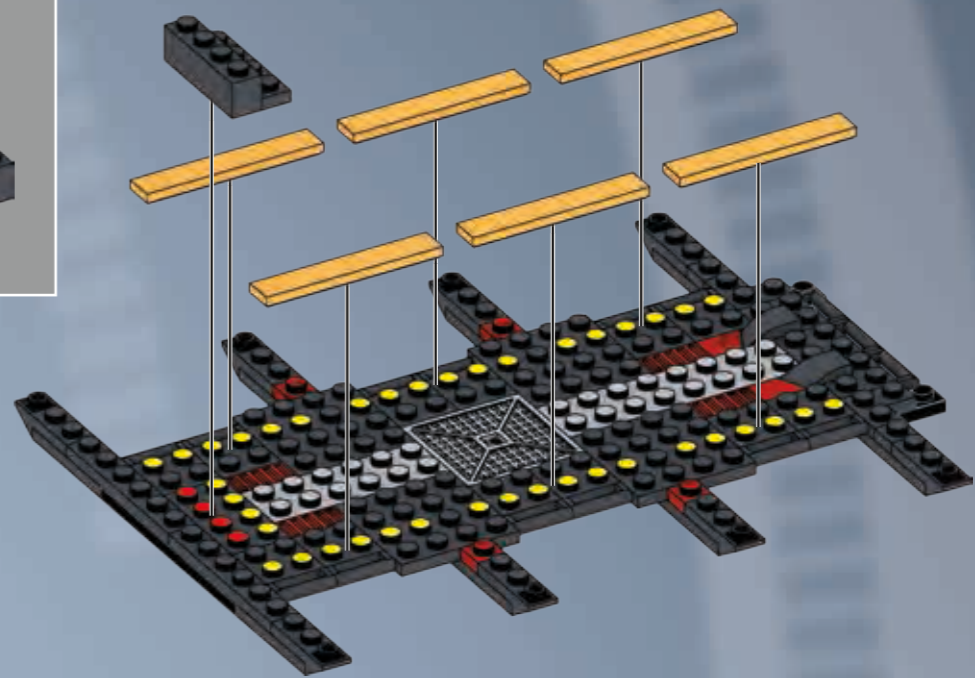
90 - 103

1

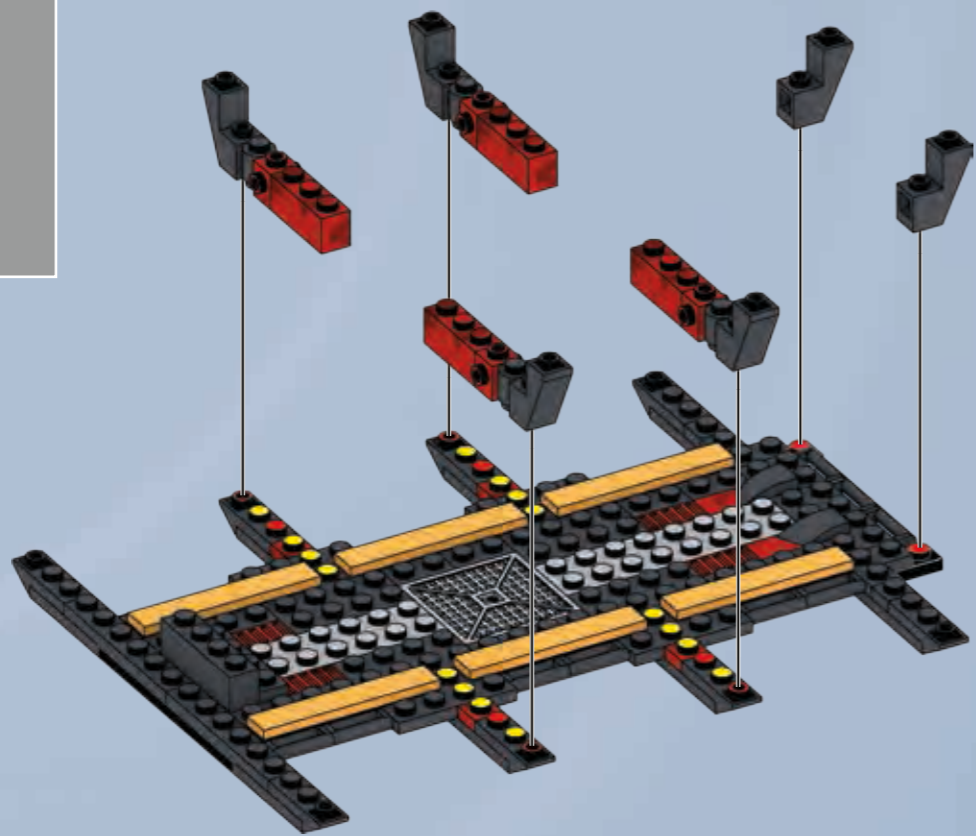
5
12x



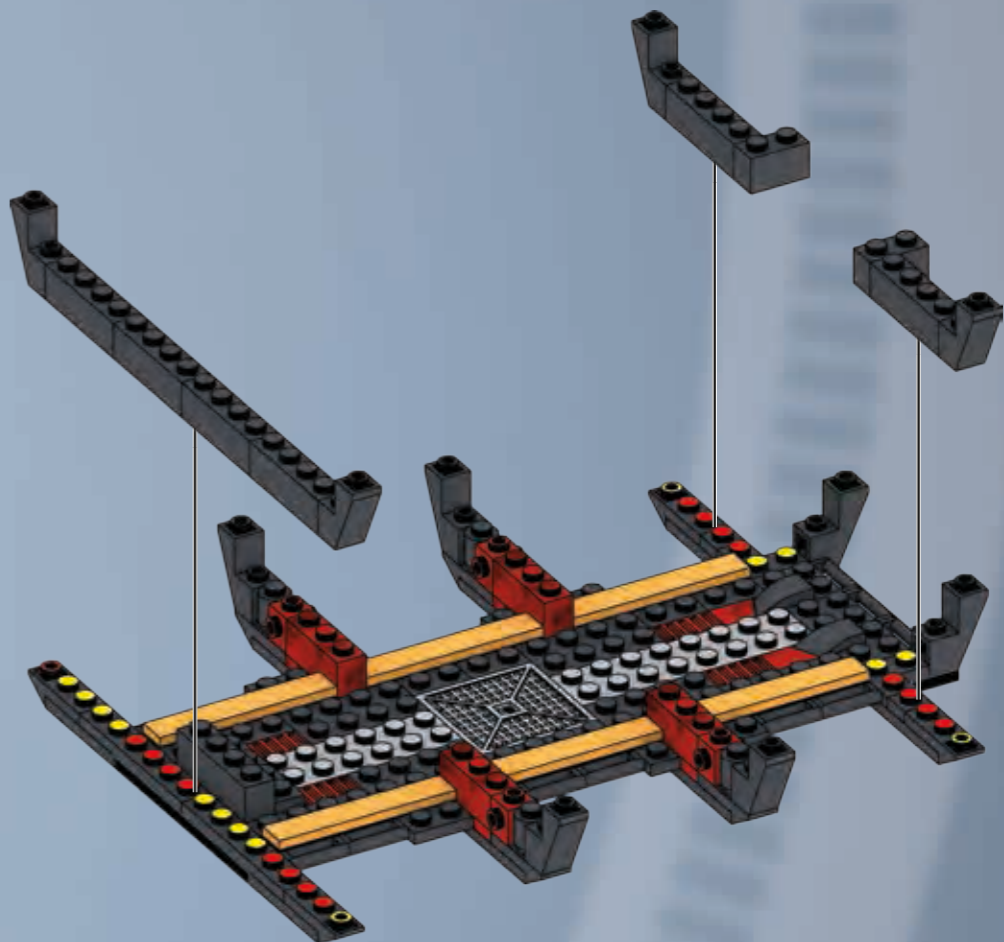
6
1x
6x
1x



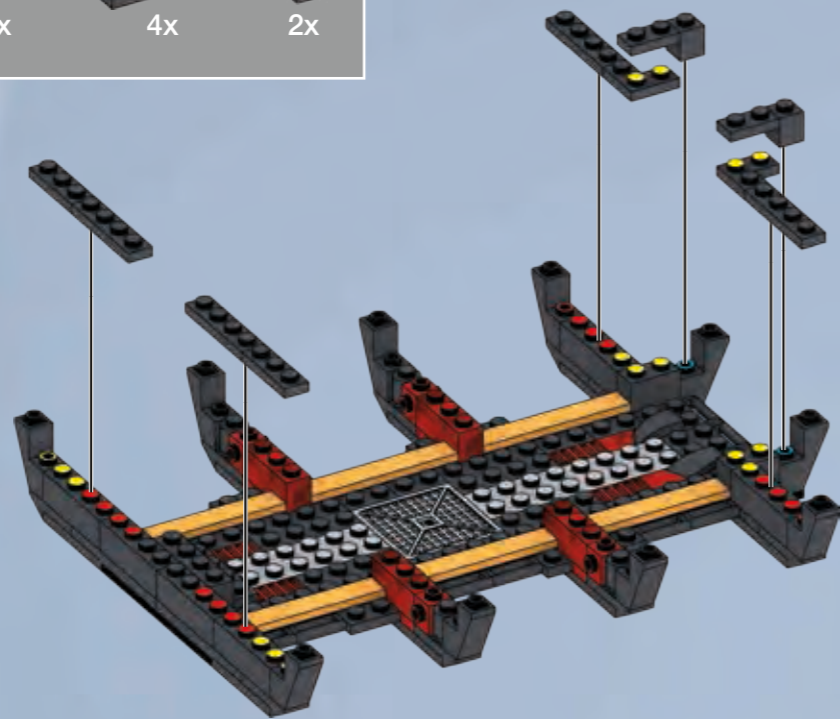
7
4x
4x
4x
6x



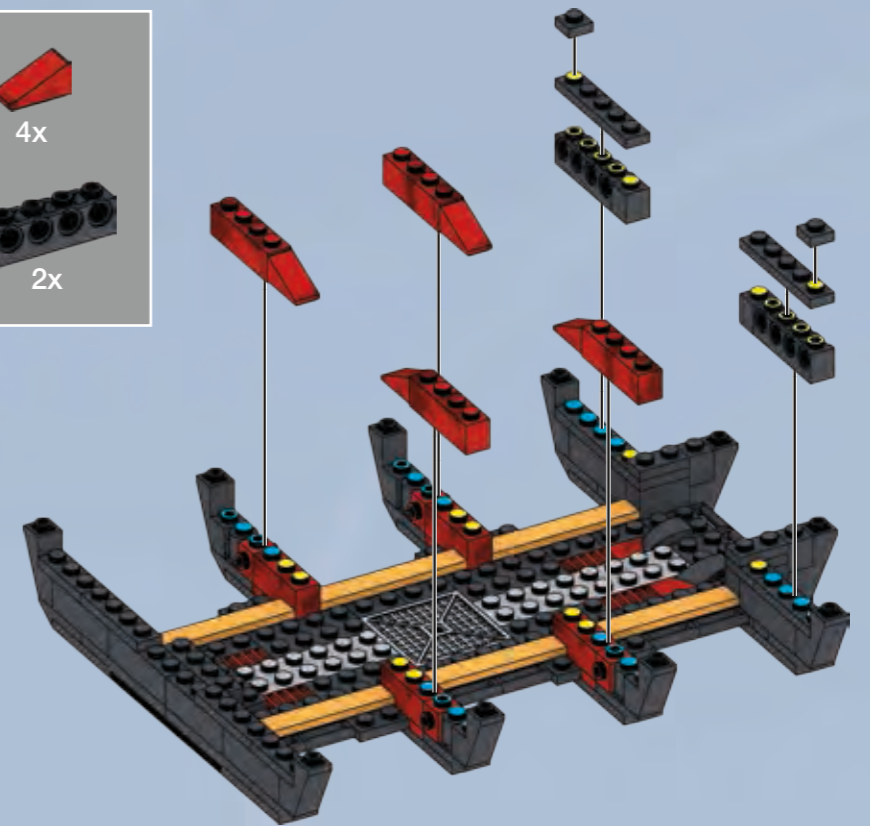
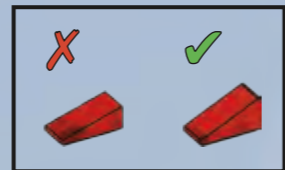
8
2x
6x
4x



- 9
- 2x
 - 2x
 - 2x
 - 4x
 - 2x



- 10
- 2x
 - 2x
 - 4x
 - 2x
 - 4x
 - 2x

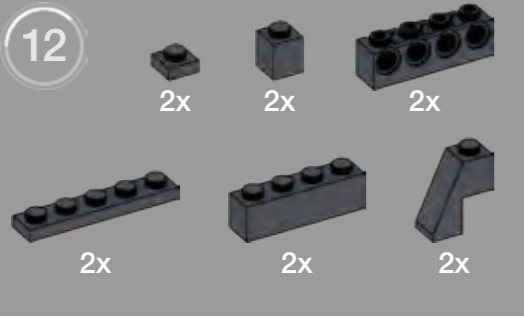


- 11
- 4x
 - 4x
 - 4x
 - 4x
 - 4x
 - 4x
 - 4x
 - 4x
 - 4x
 - 8x
 - 2x

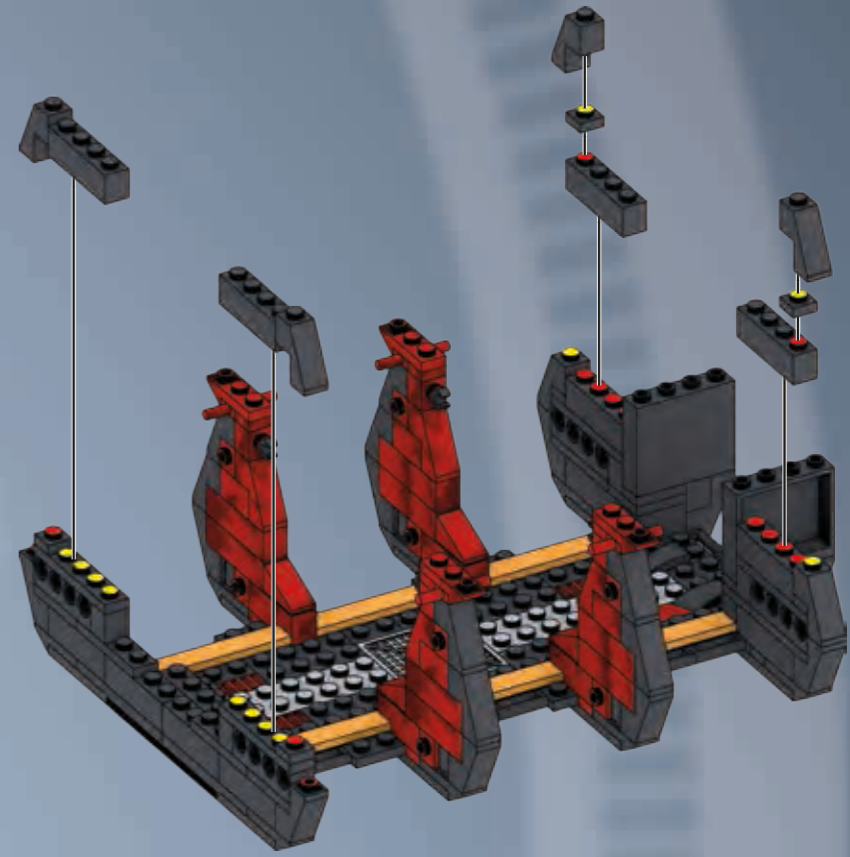
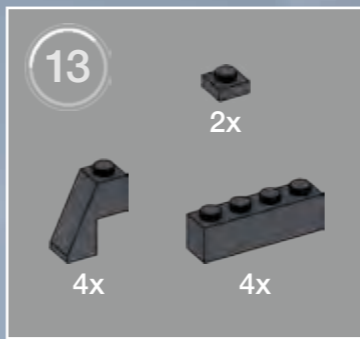
- X4
- 1
 - 2
 - 3
 - 4



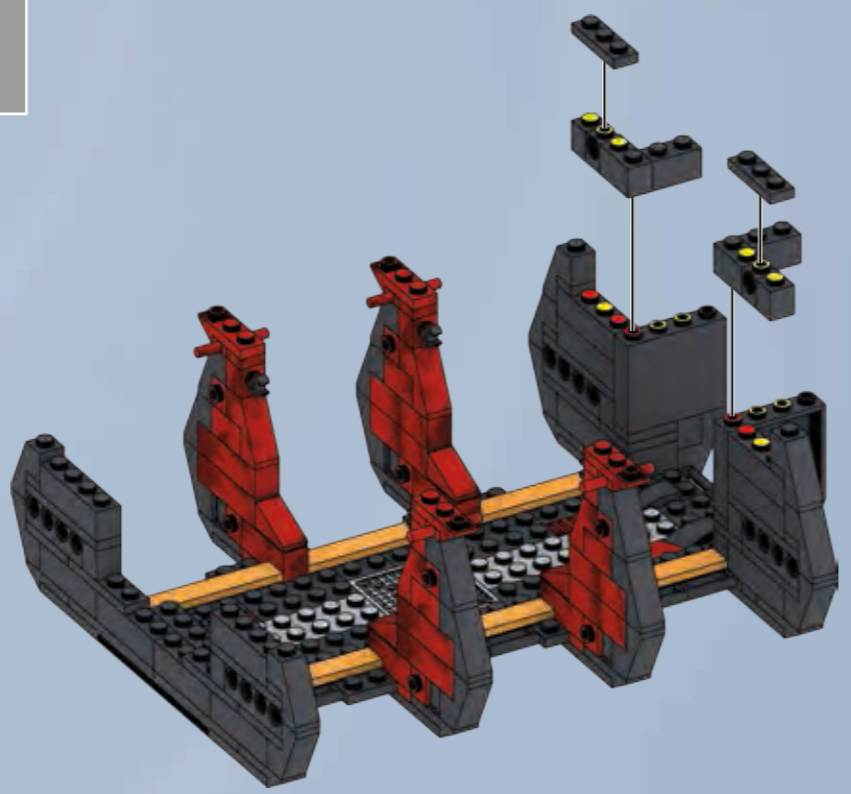
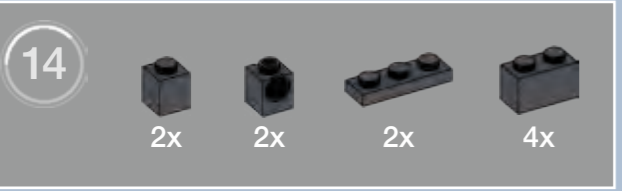
12



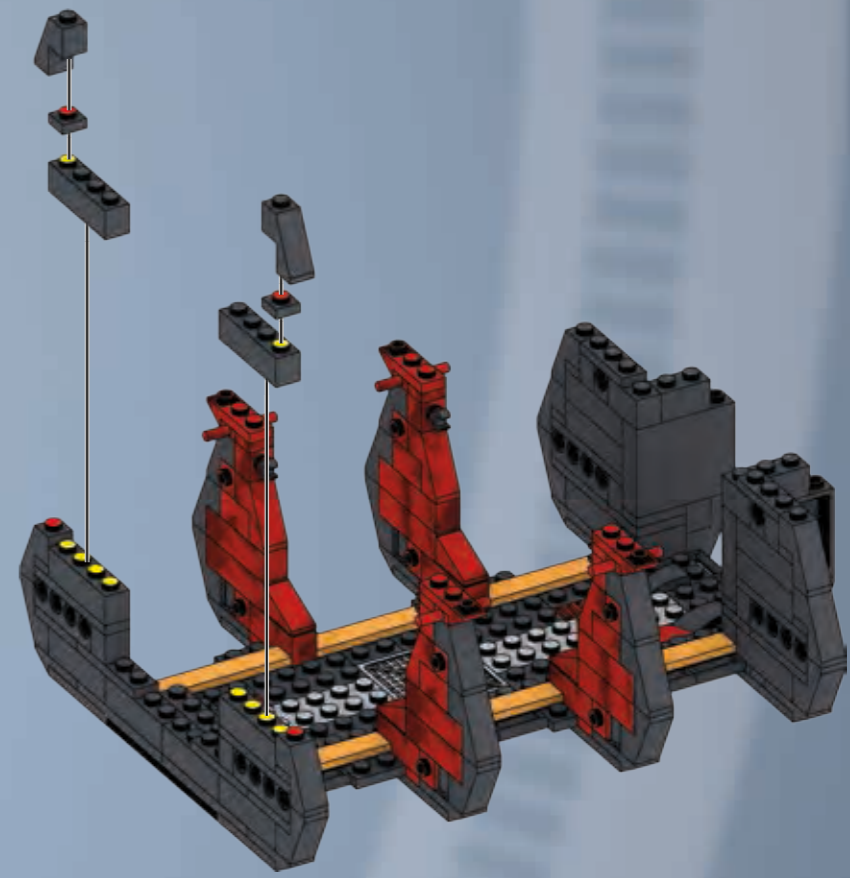
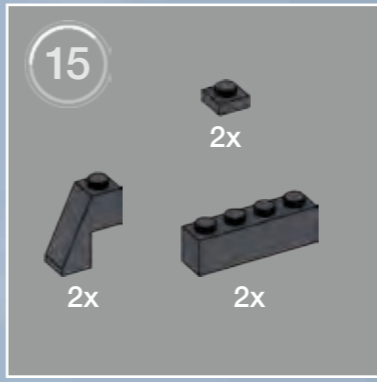
13



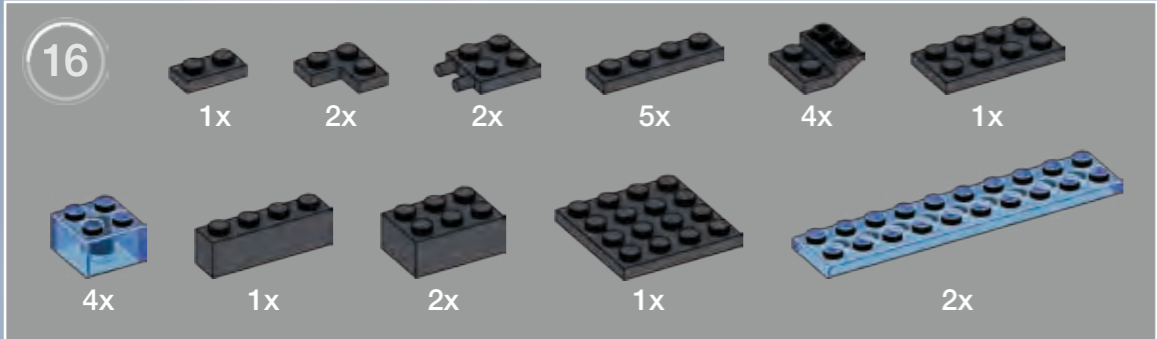
14



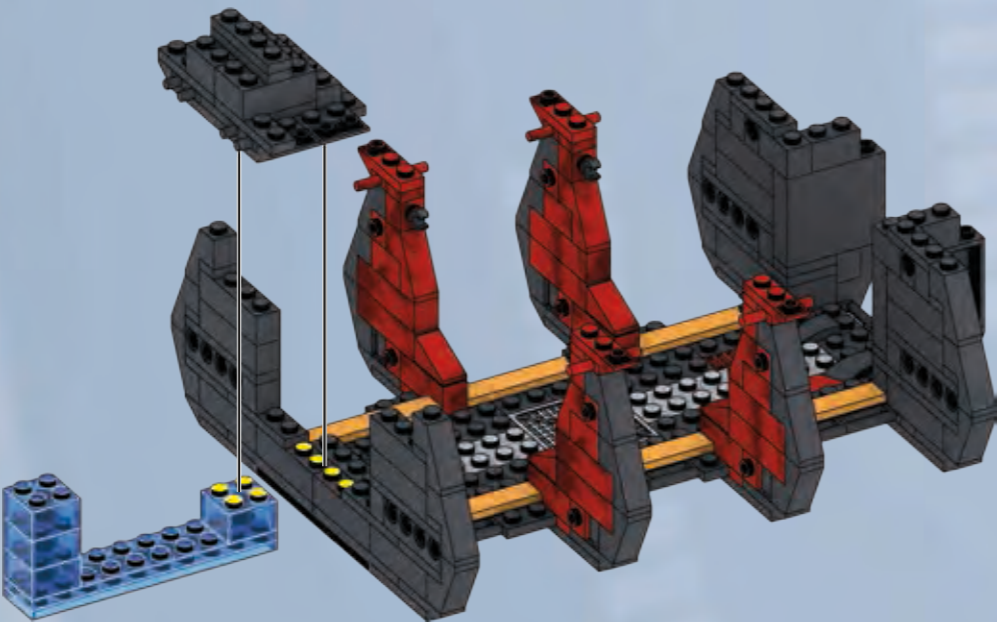
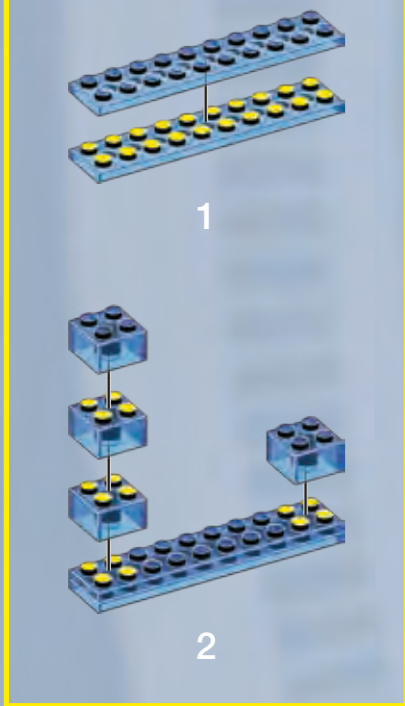
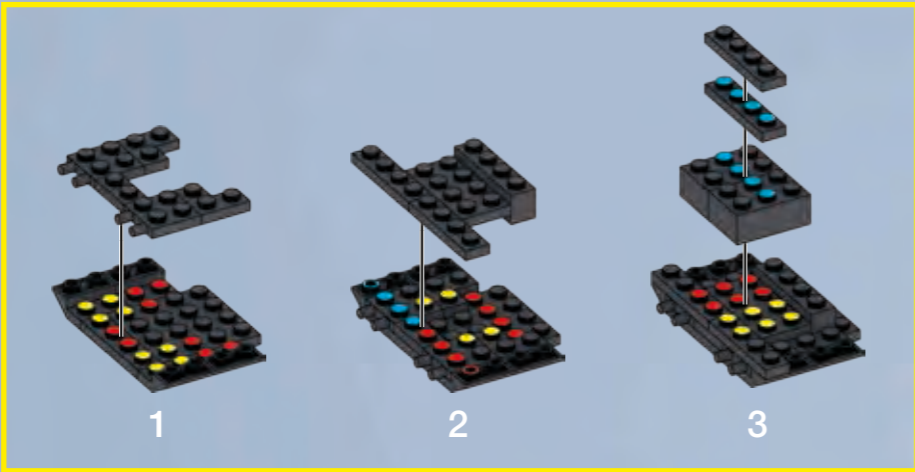
15



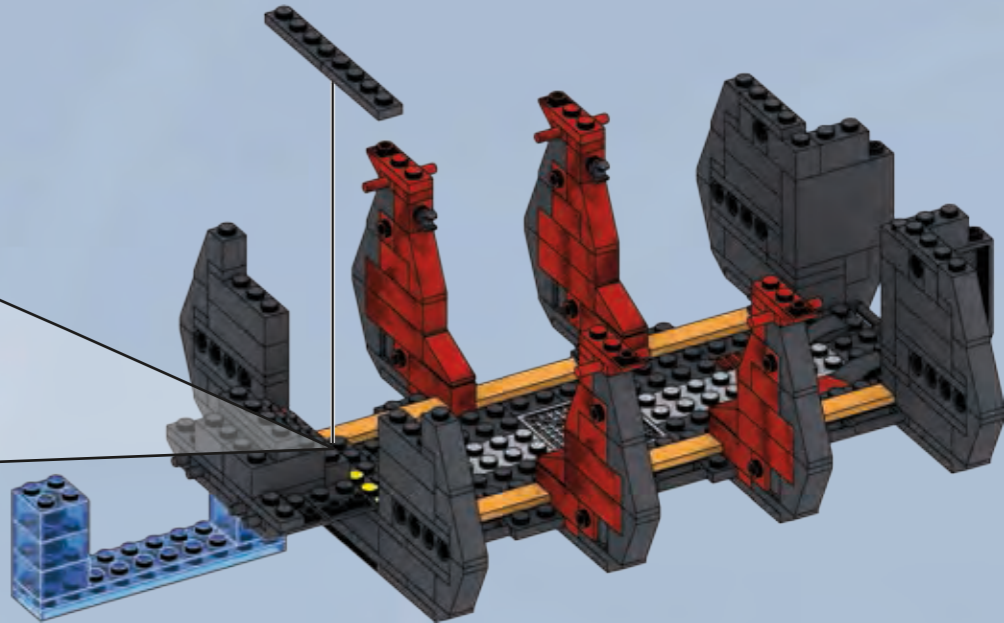
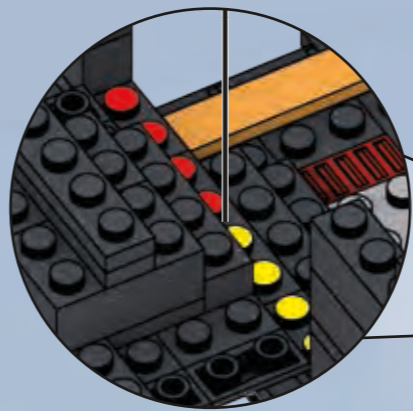
16



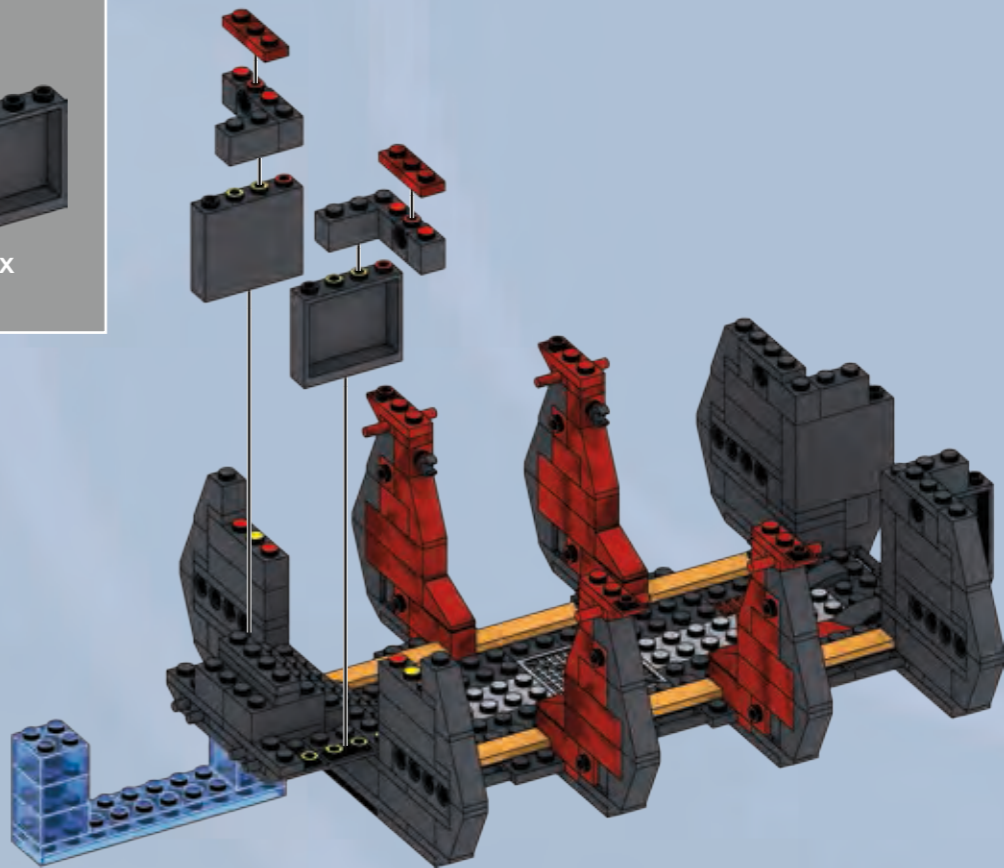
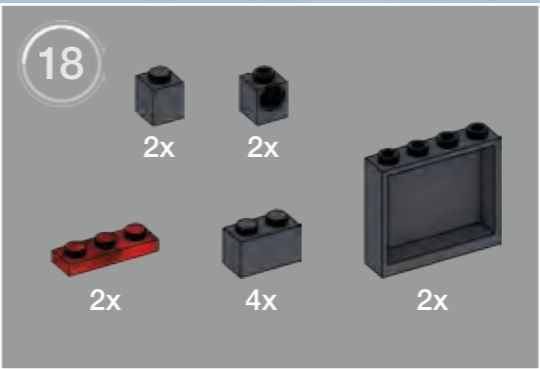
Place temporary pieces
 Placer les pièces temporaires
 Colocar las piezas provisionales
 Colocar as peças temporárias
 Posizionare i pezzi provvisori
 Die vorübergehend benötigten Teile platzieren
 Umieścić tymczasowe elementy
 Plaats tijdelijke delen
 Поместите временные детали
 Placér midlertidige stykker.
 Placera temporära delar
 Plasser midlertidige deler
 Aseta väliaikaiset osat
 Топоветежете то прошириво коцмати
 Geçici parçaları yerleştirin
 放置臨時件
 暫定ピースを配置してください
 ضع القطع المؤقت



17

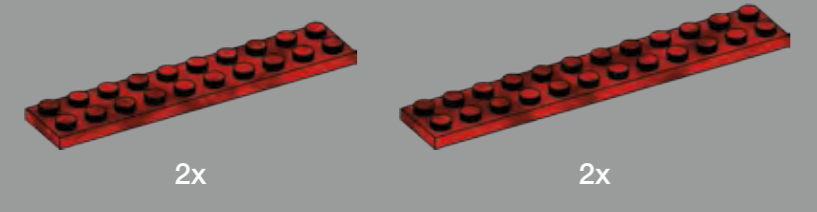


18



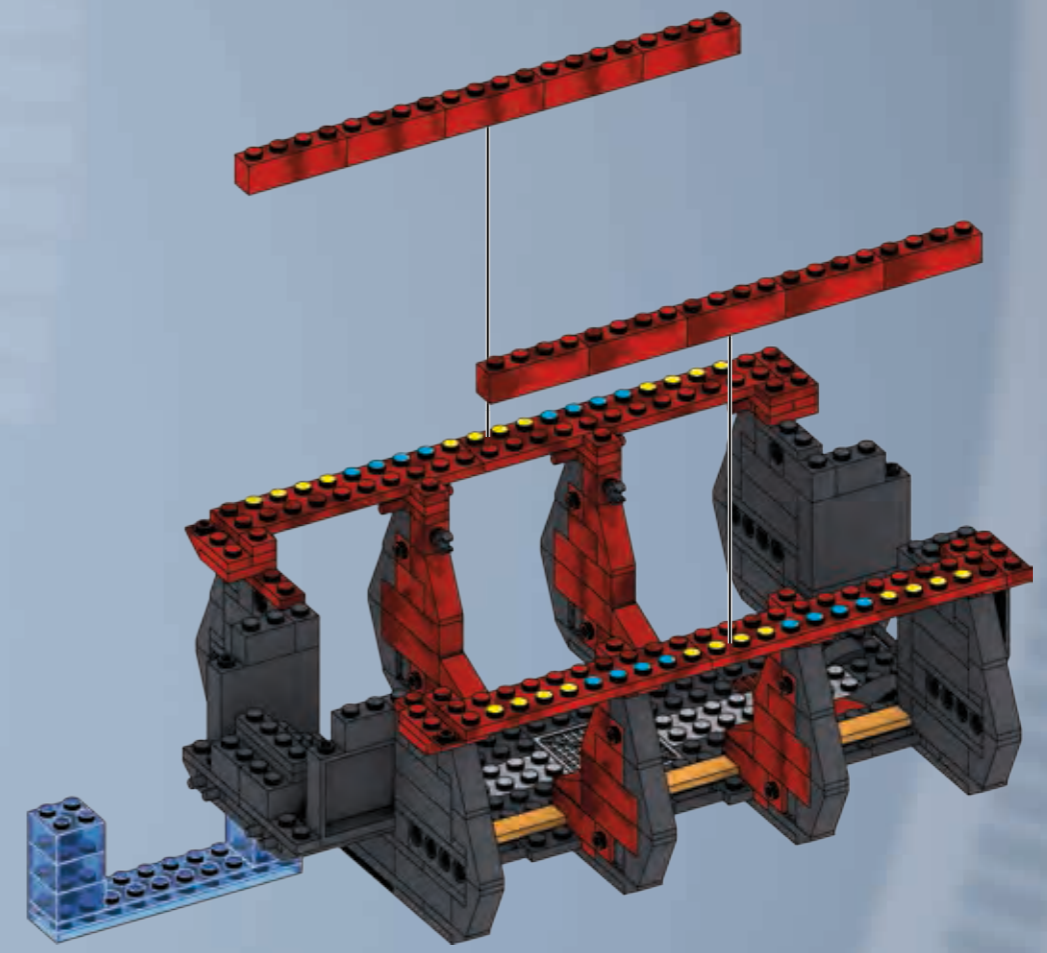
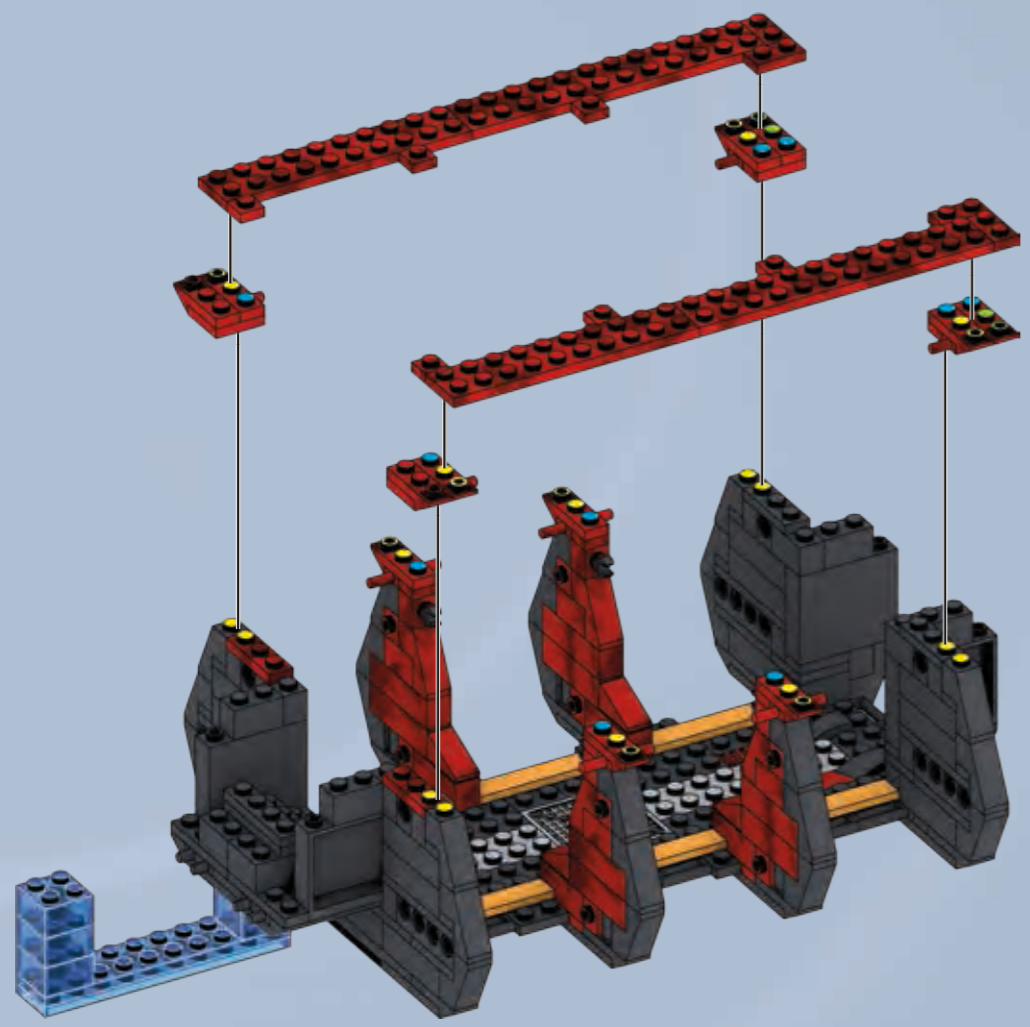
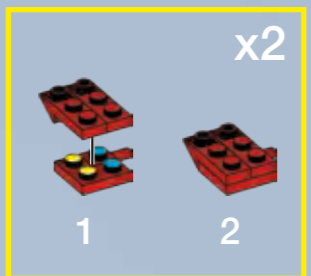
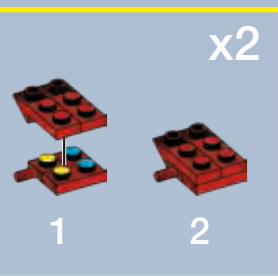
19

- 6x
- 4x
- 4x
- 4x
- 8x



20

- 10x



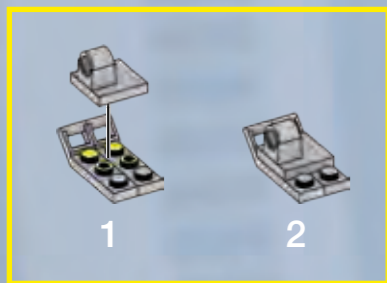
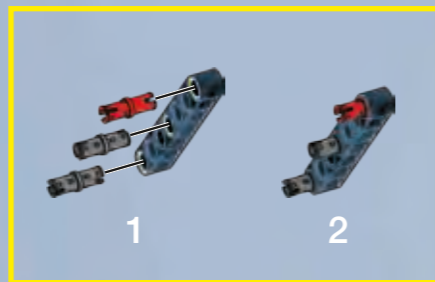
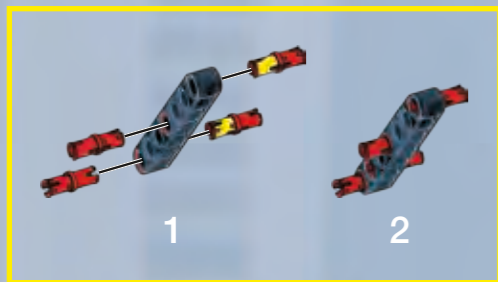
21



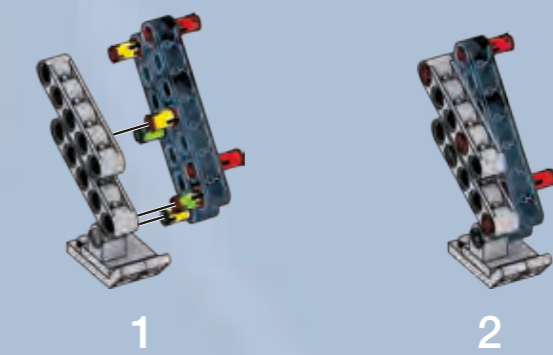
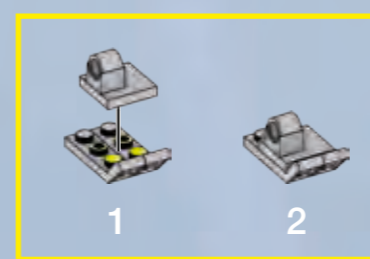
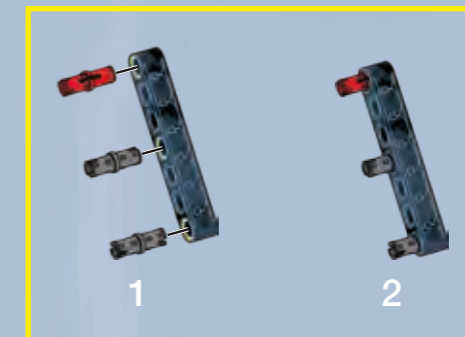
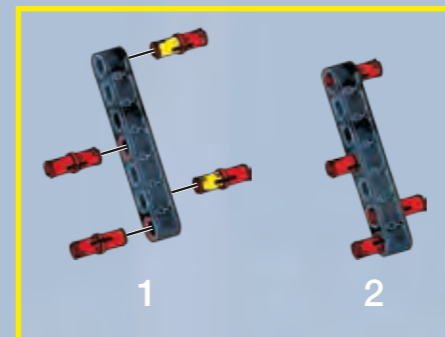
22



X2



X2

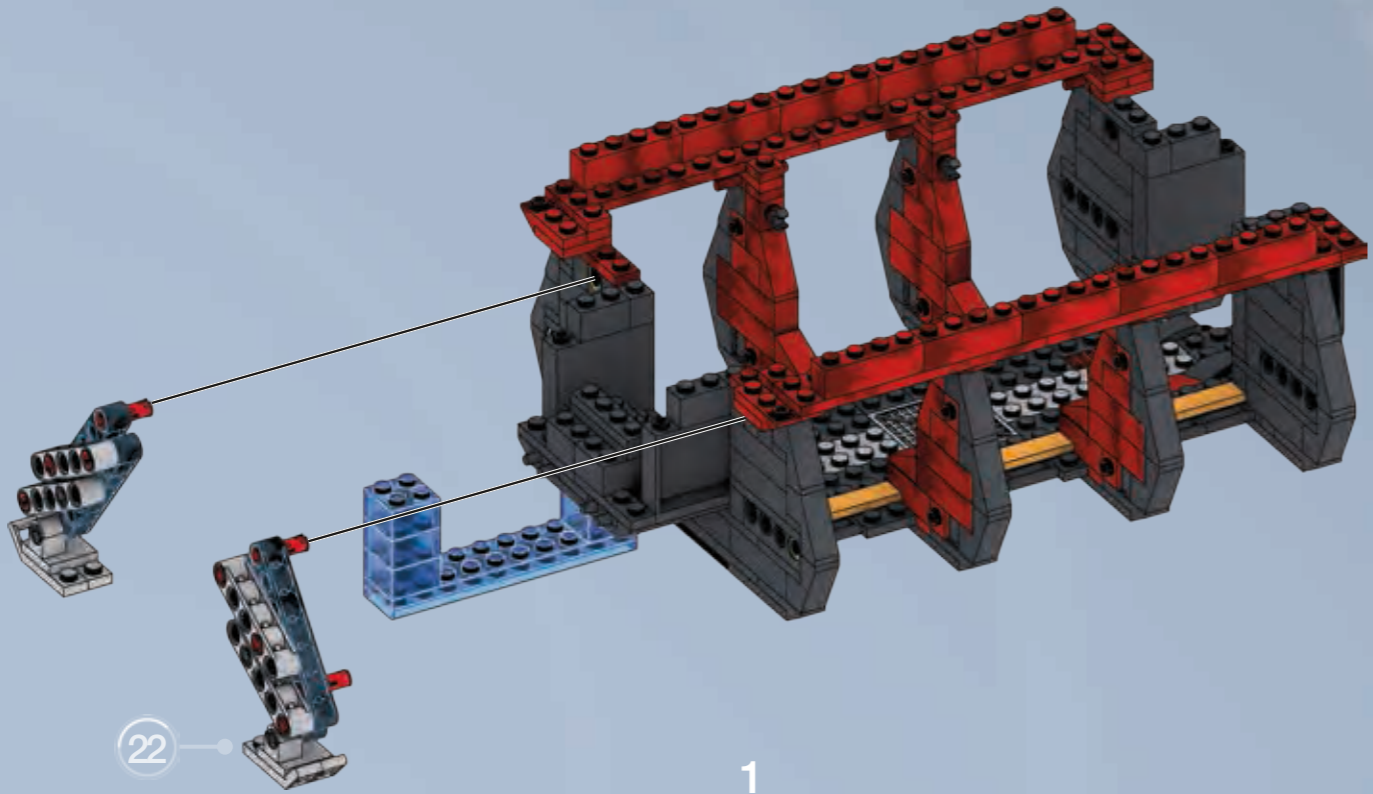


23

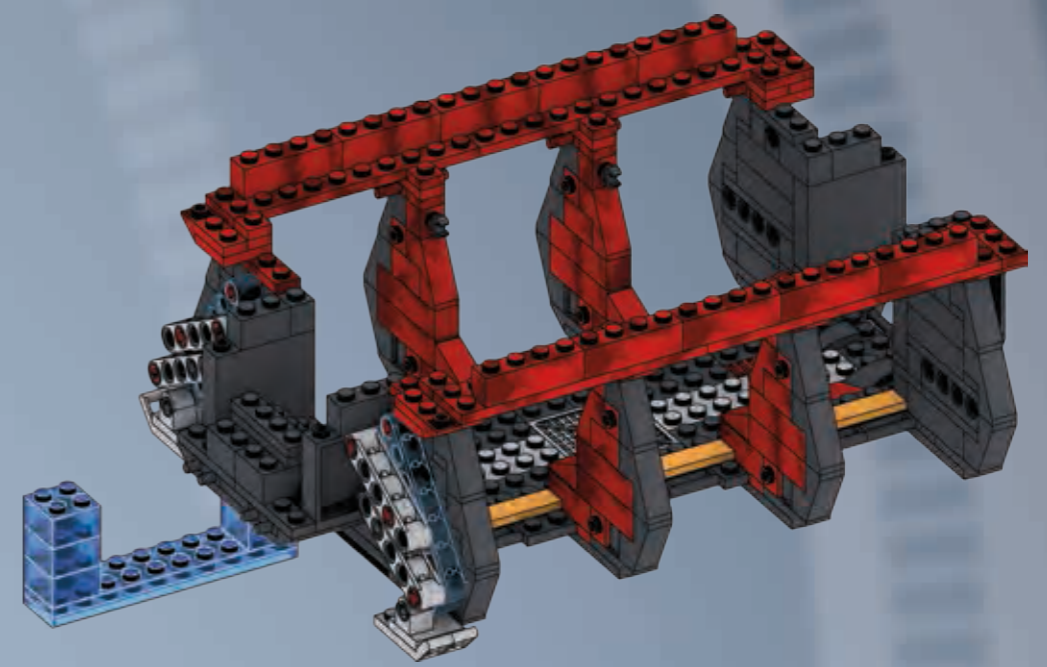
21

22

1



2

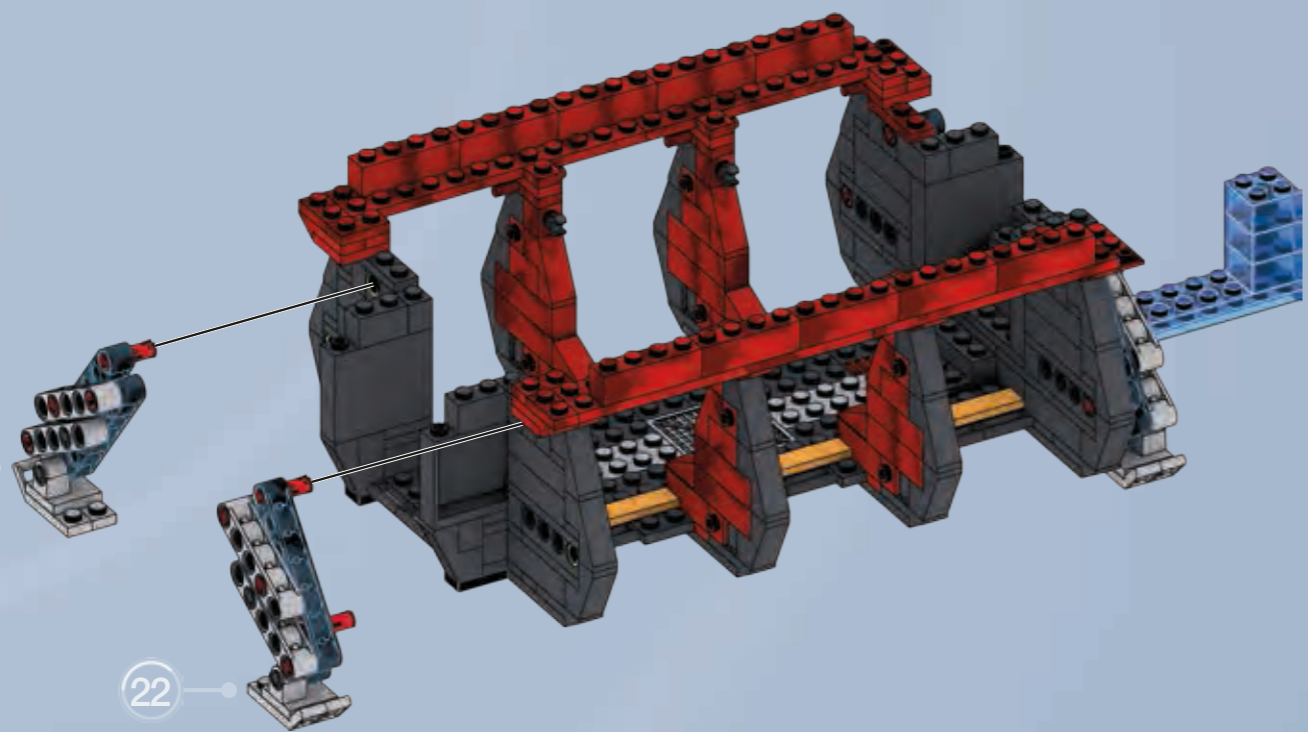


24

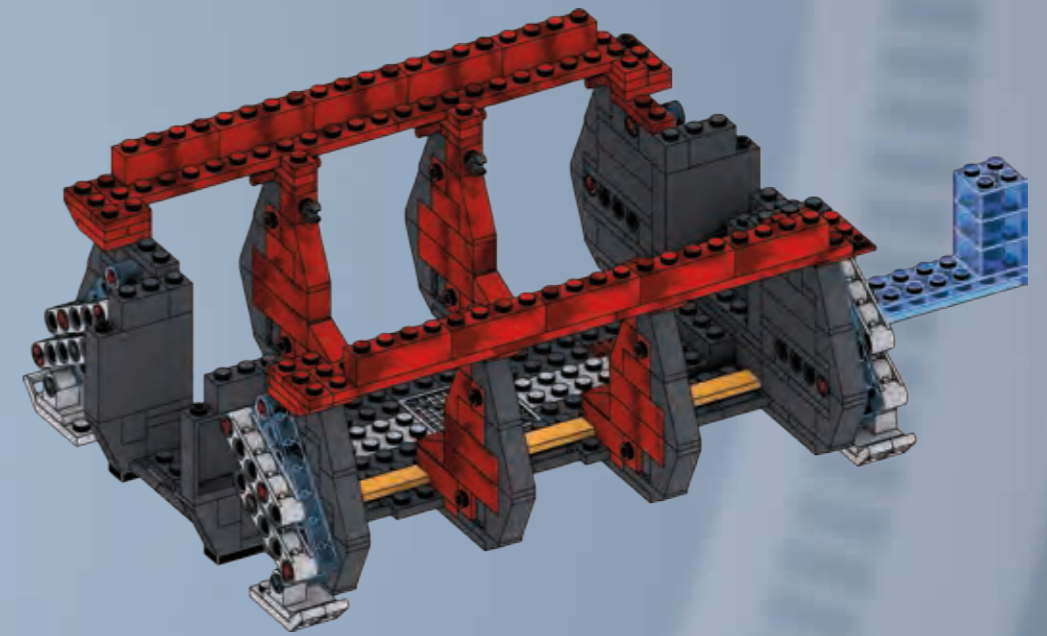
21

22

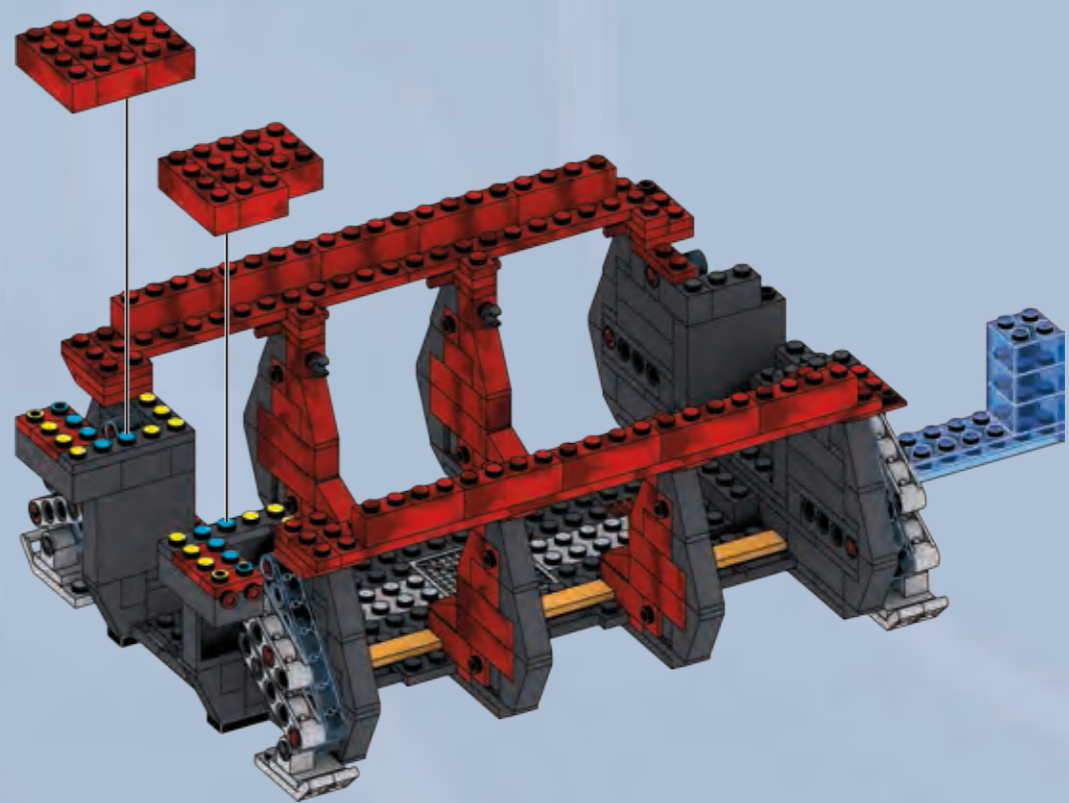
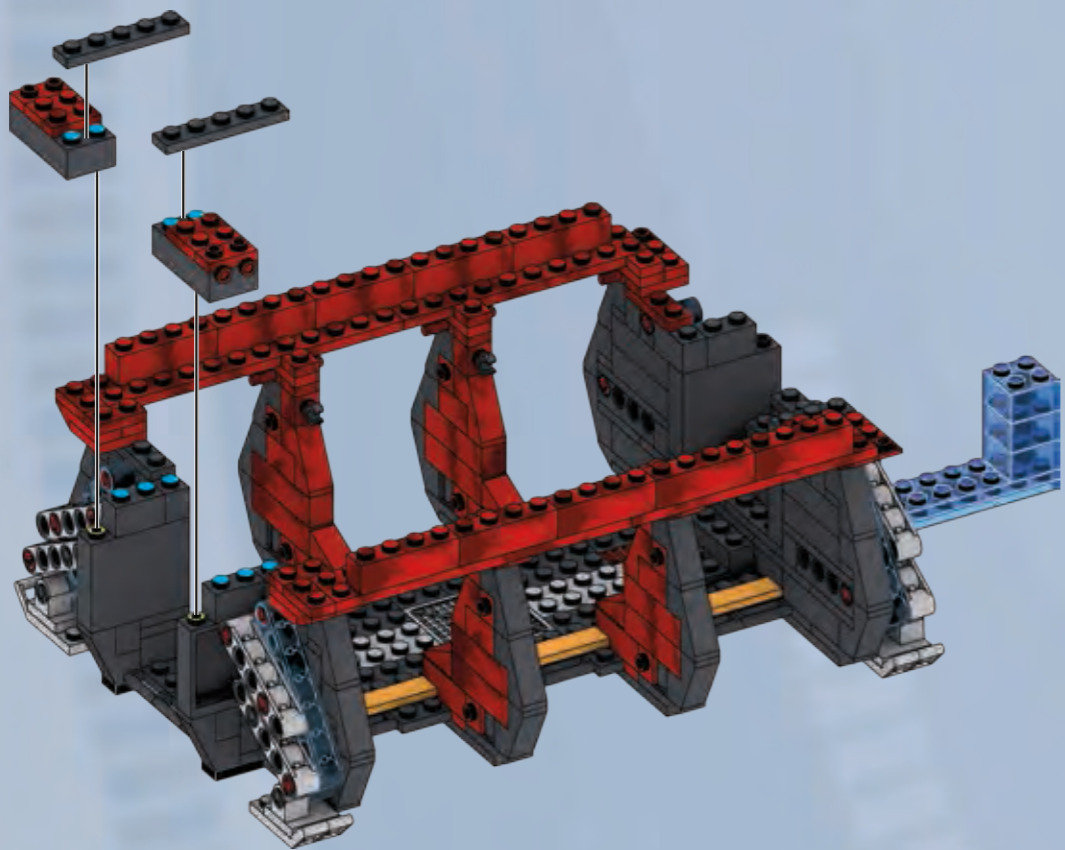
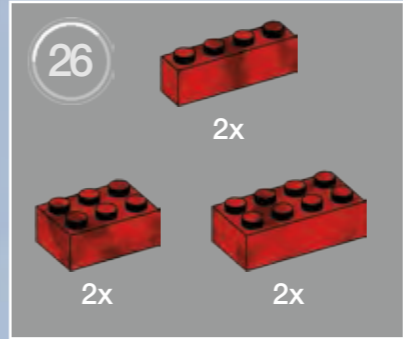
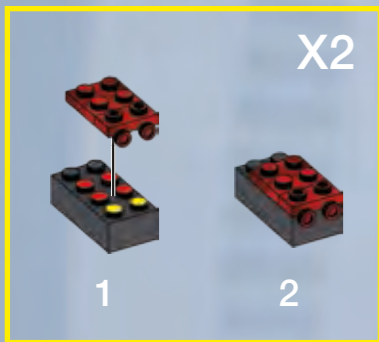
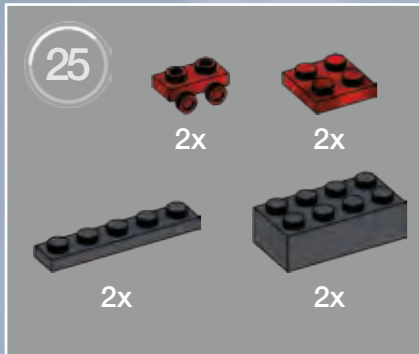
1



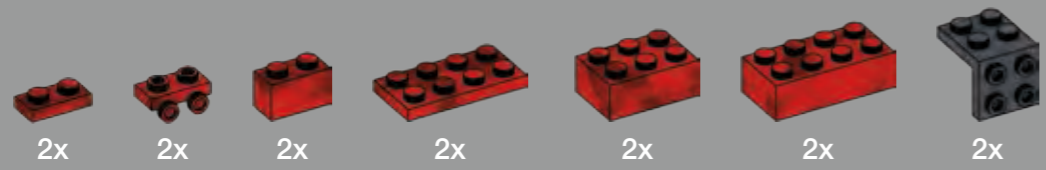
2



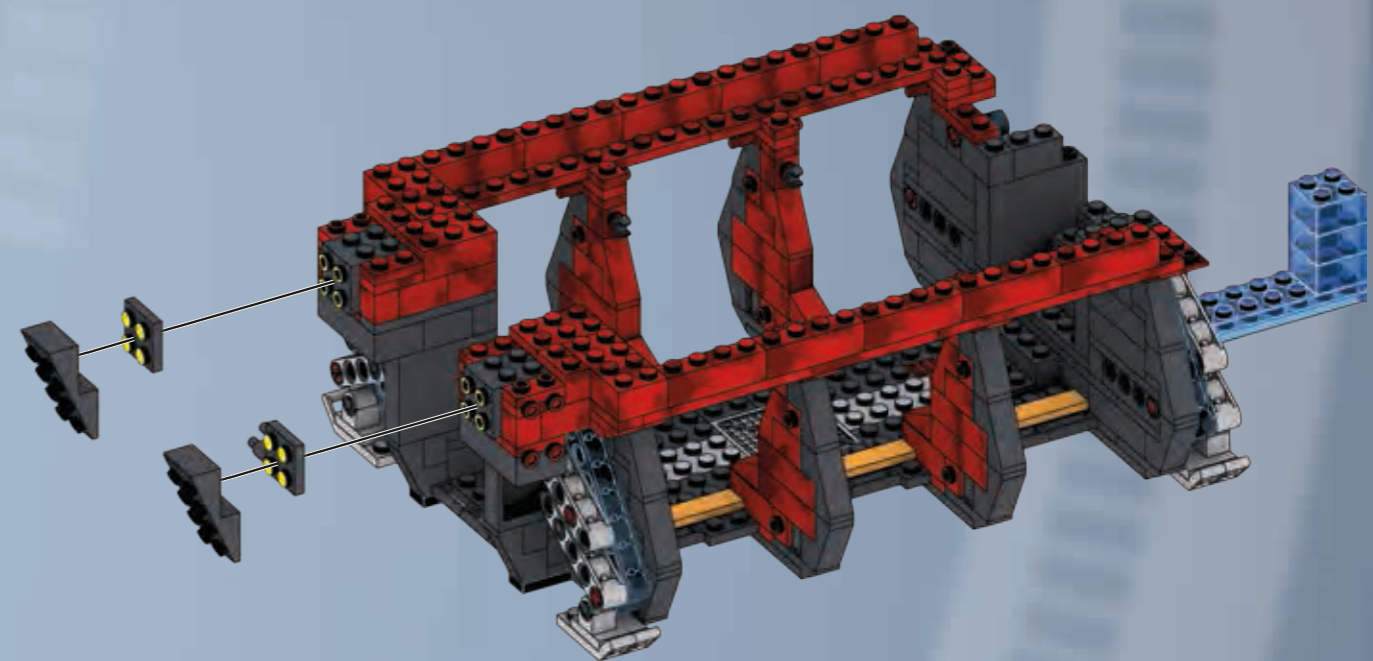
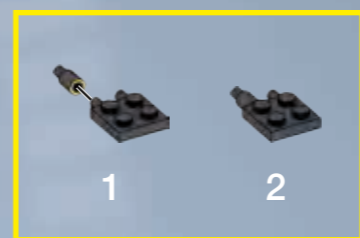
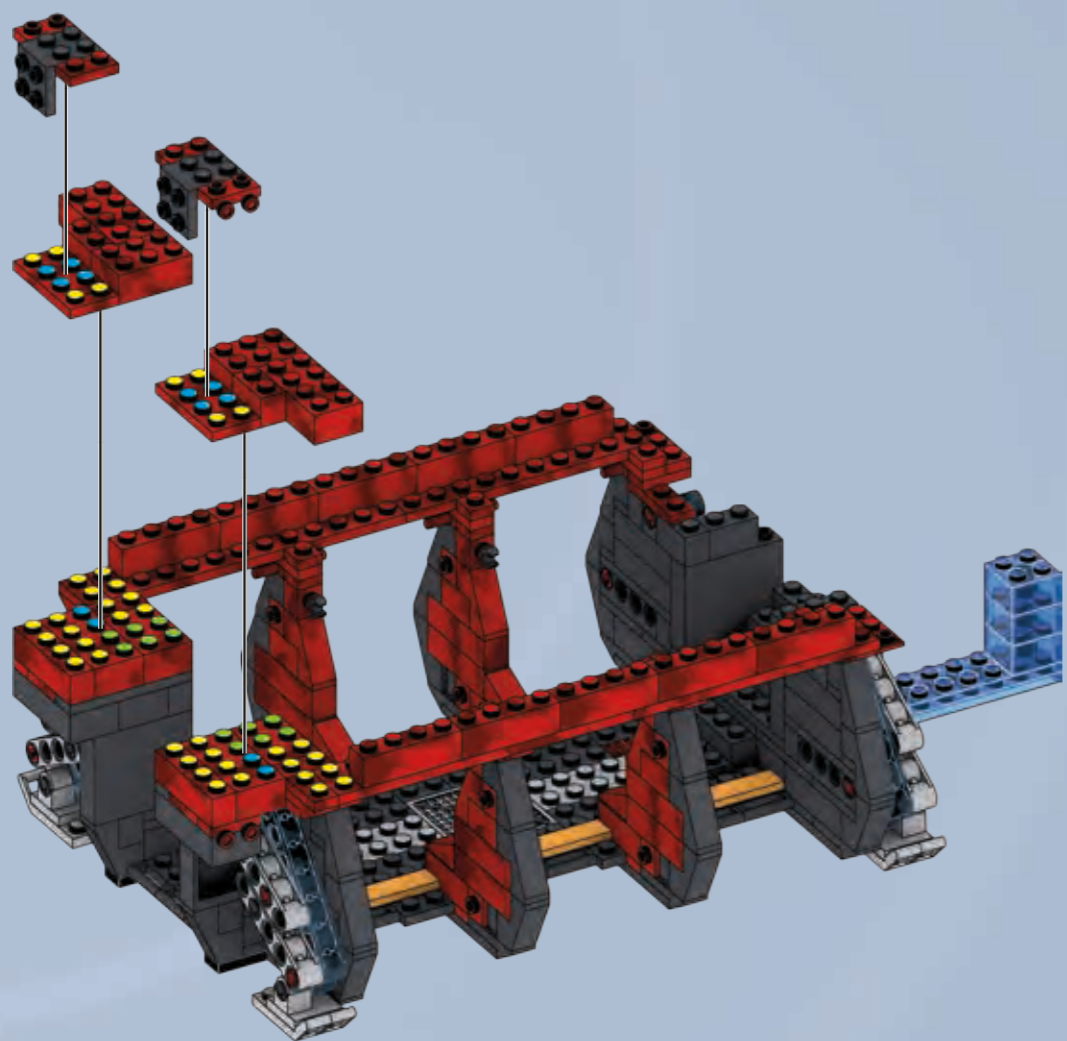
1



27



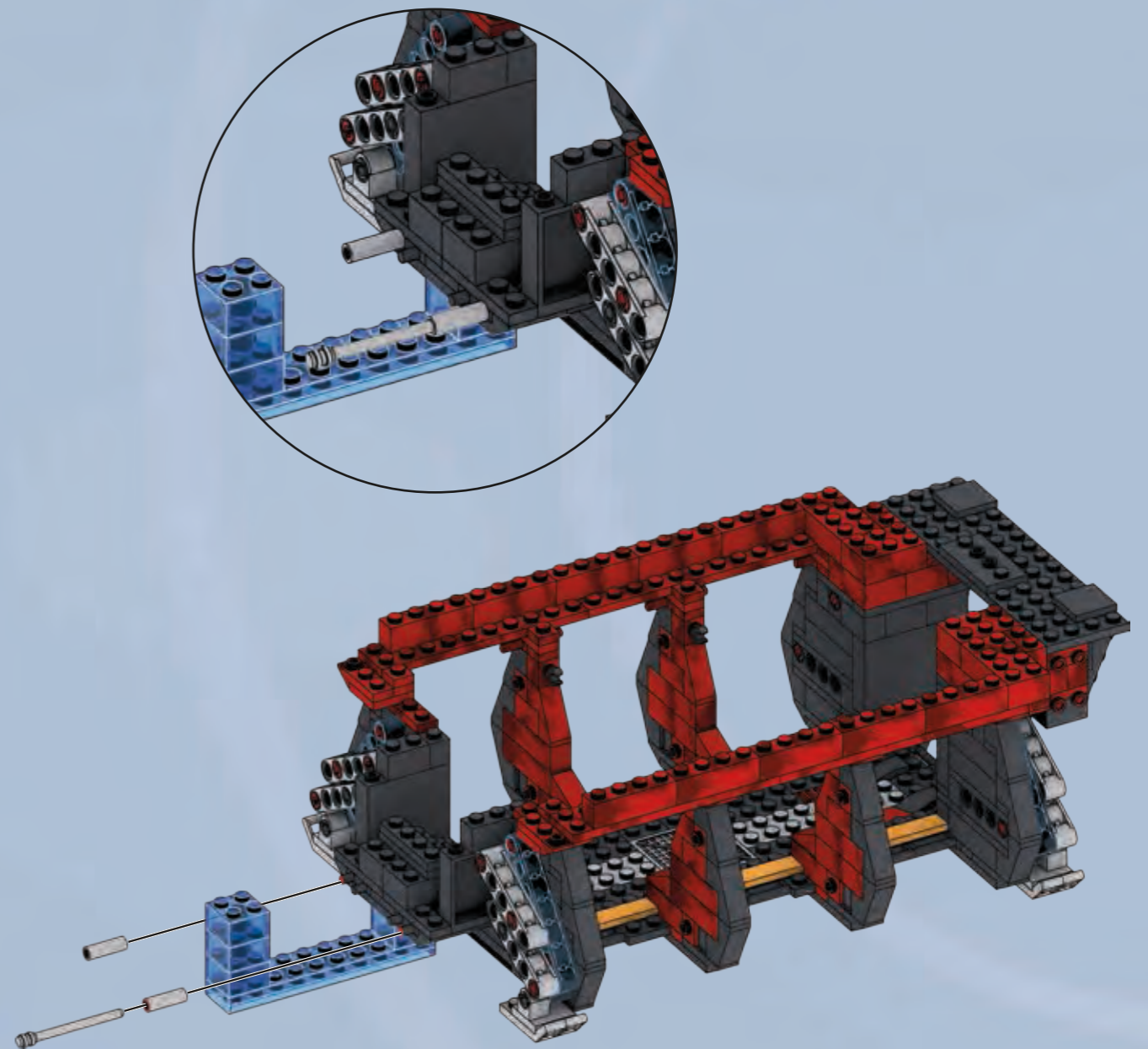
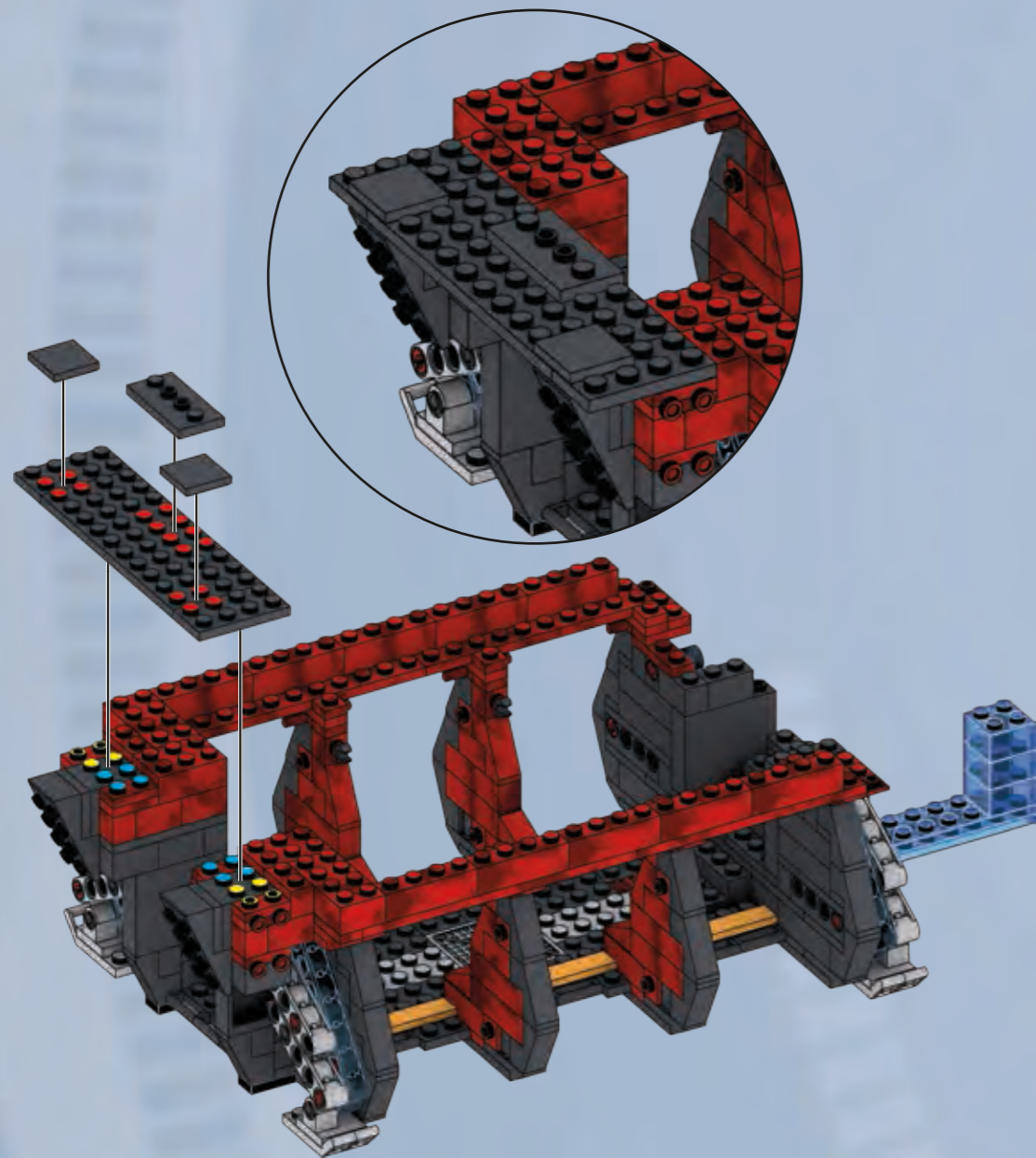
28



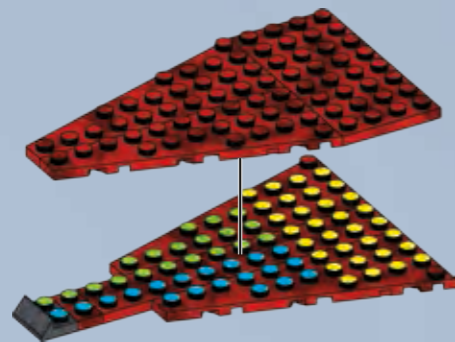
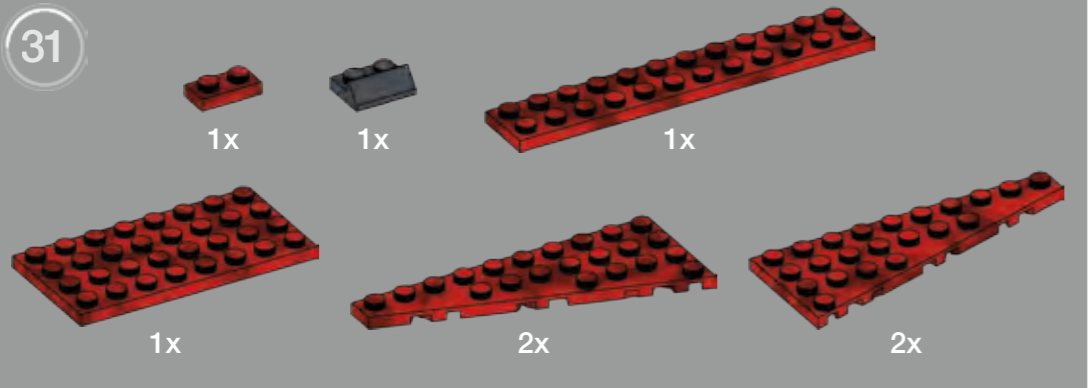
29



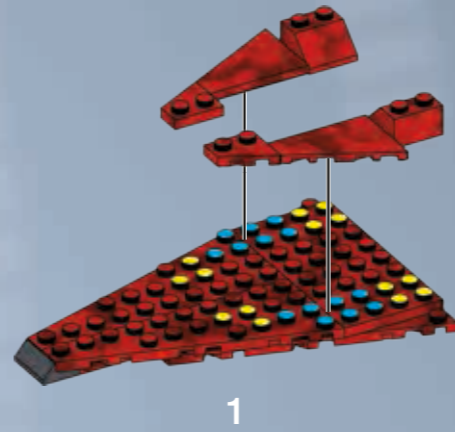
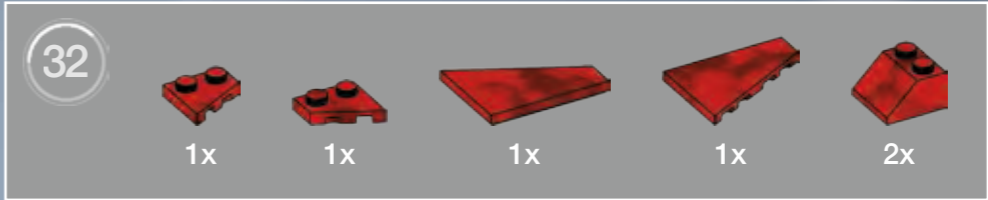
30



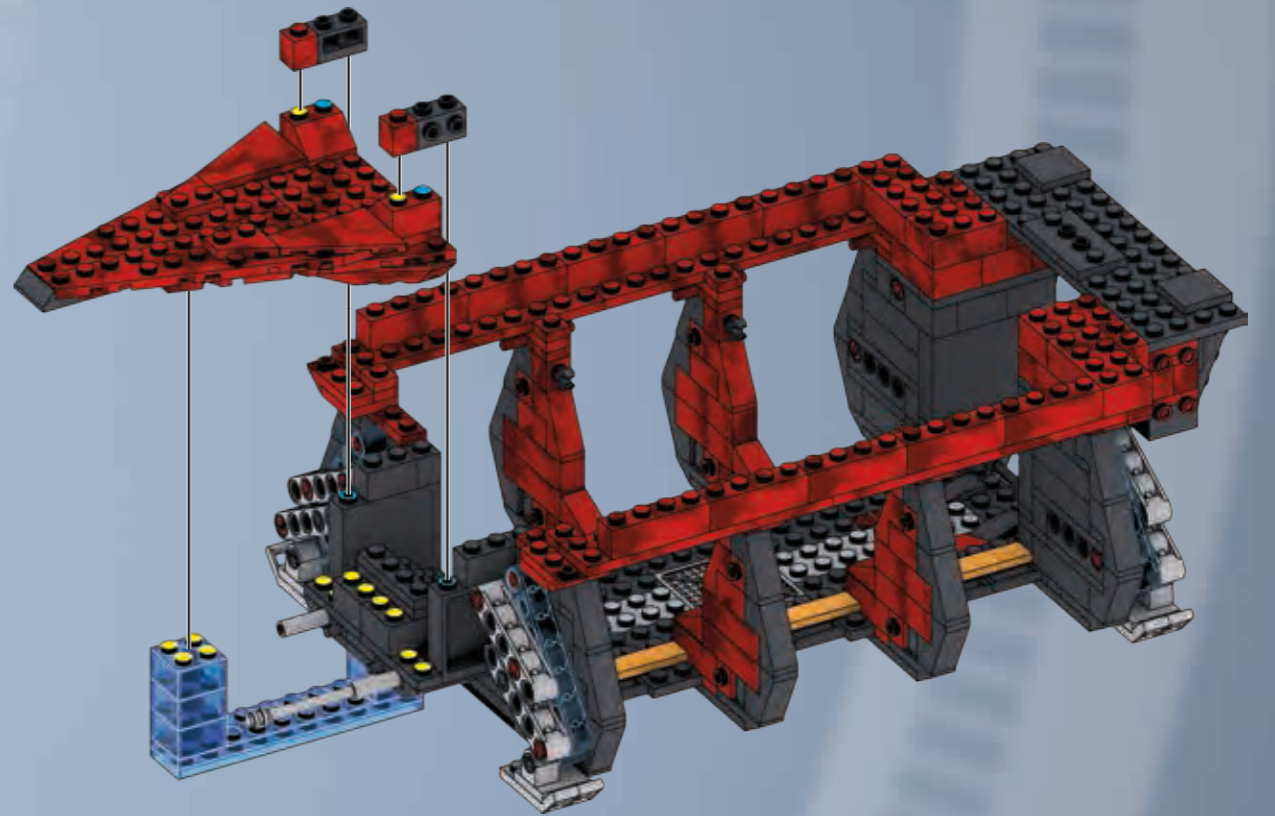
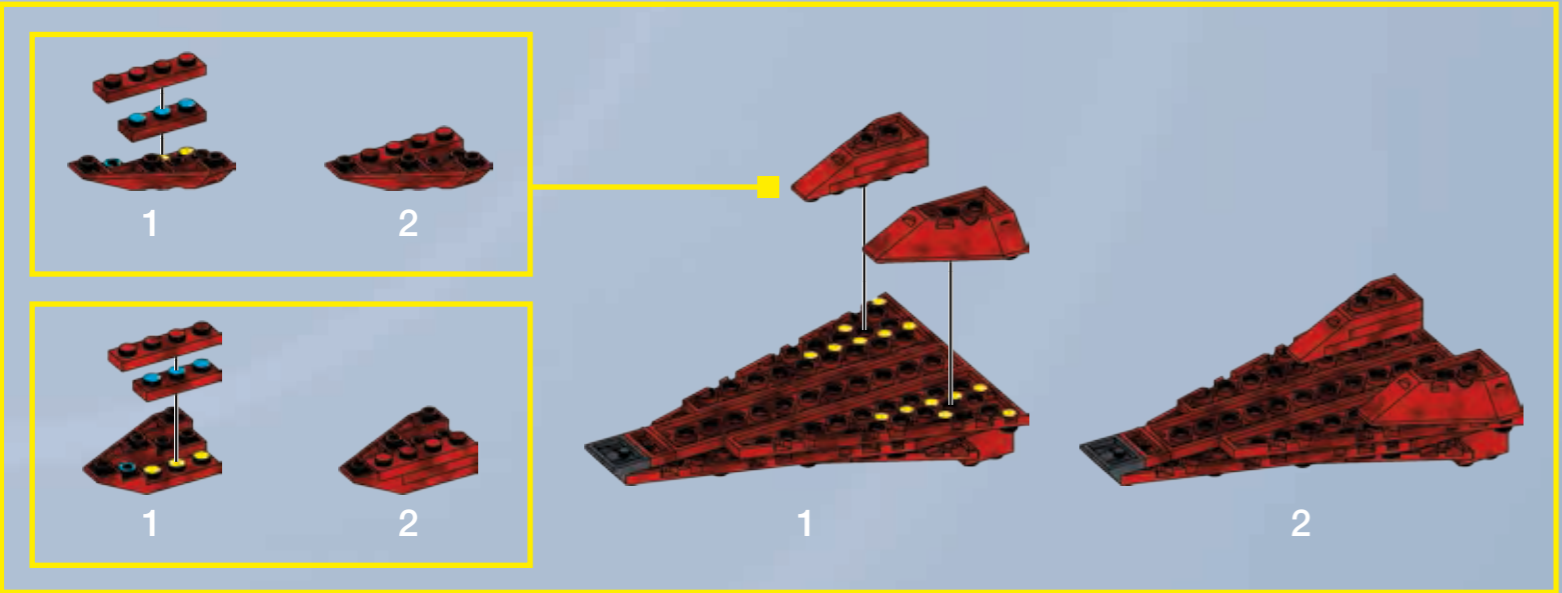
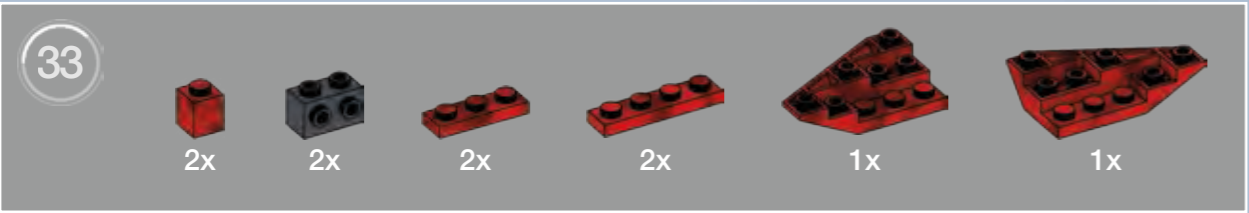
31



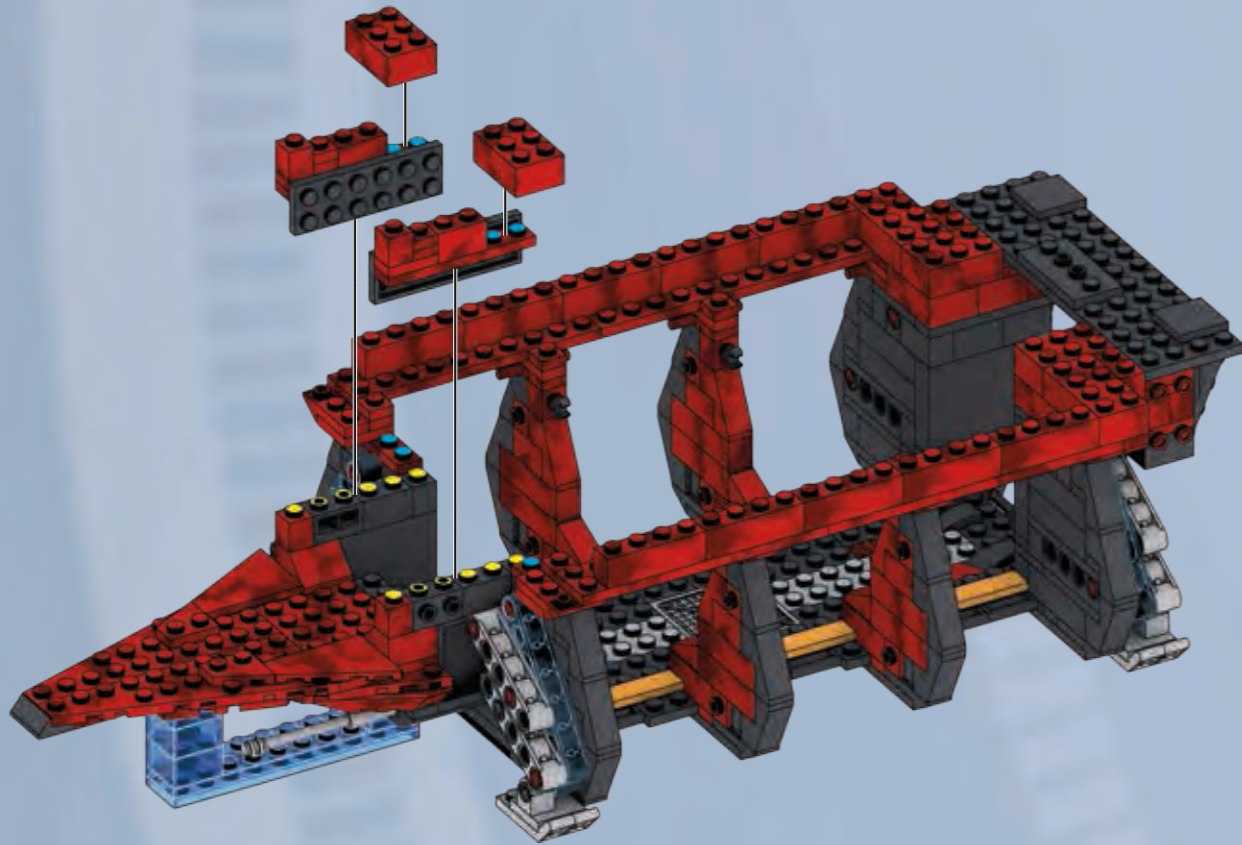
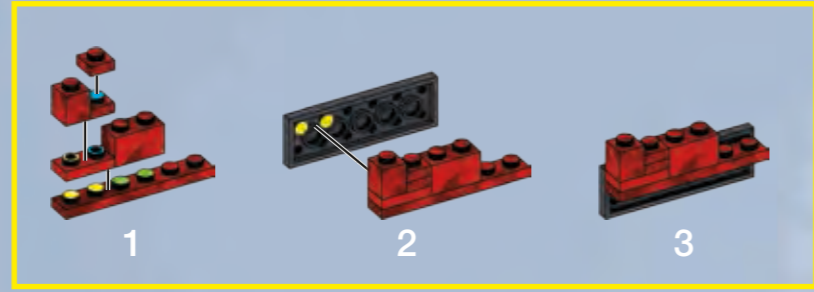
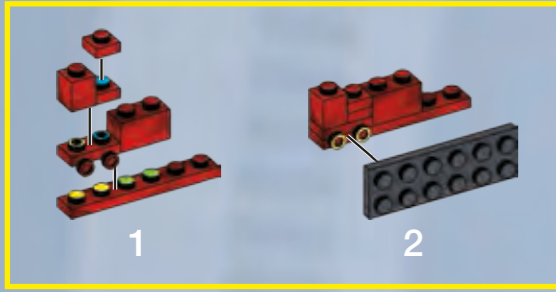
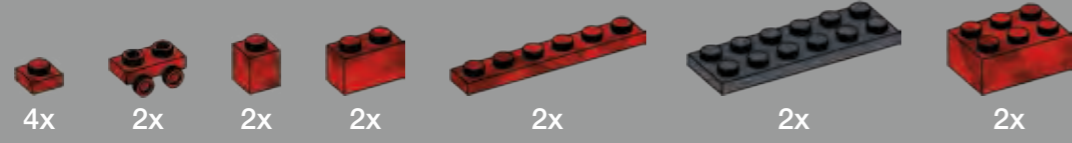
32



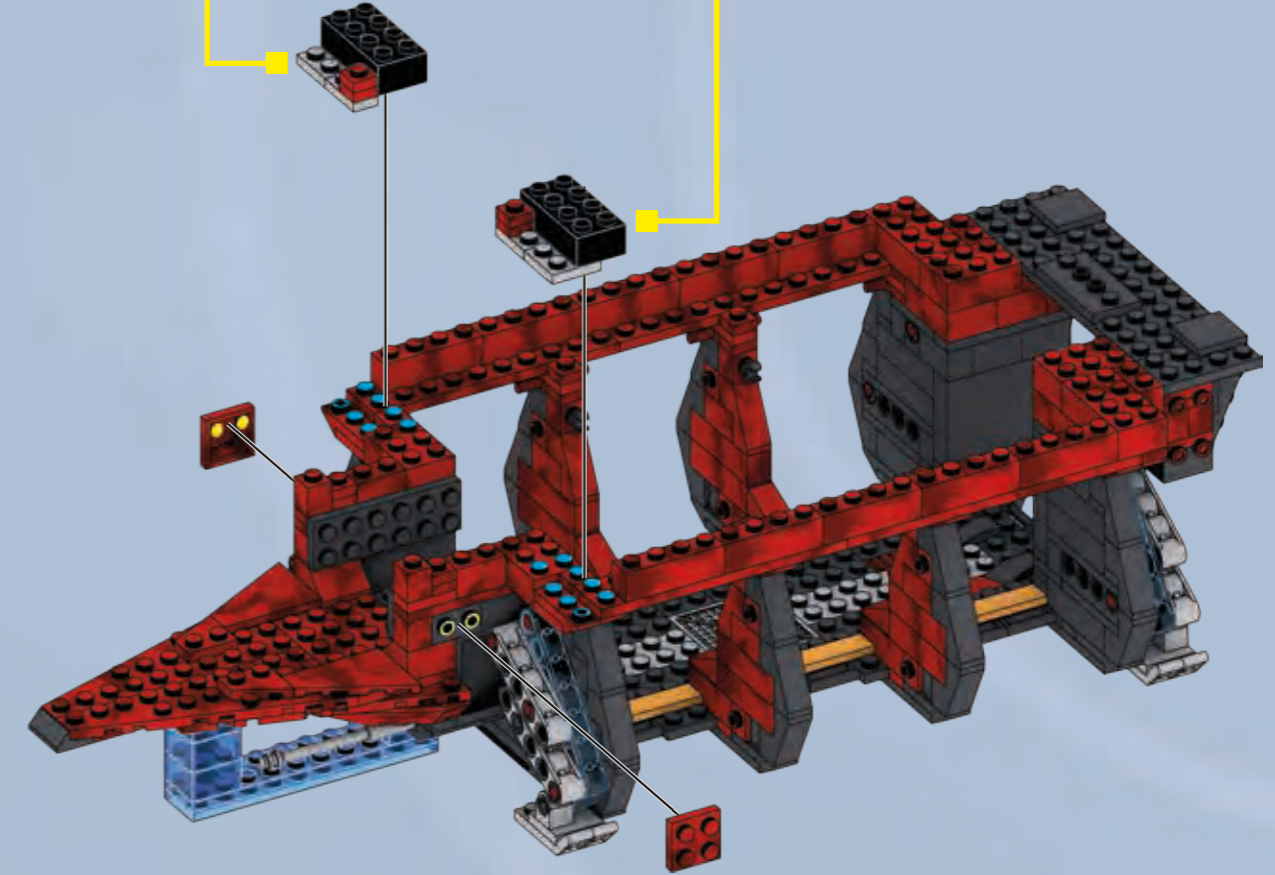
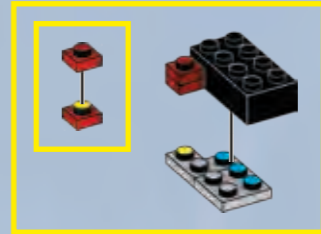
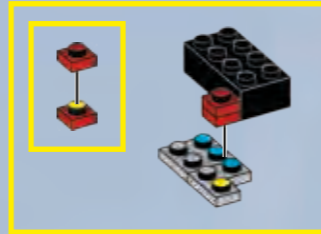
33



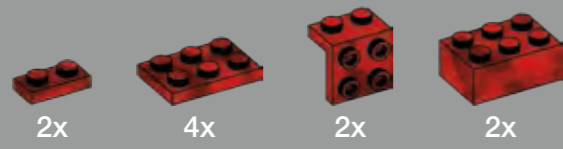
34



35



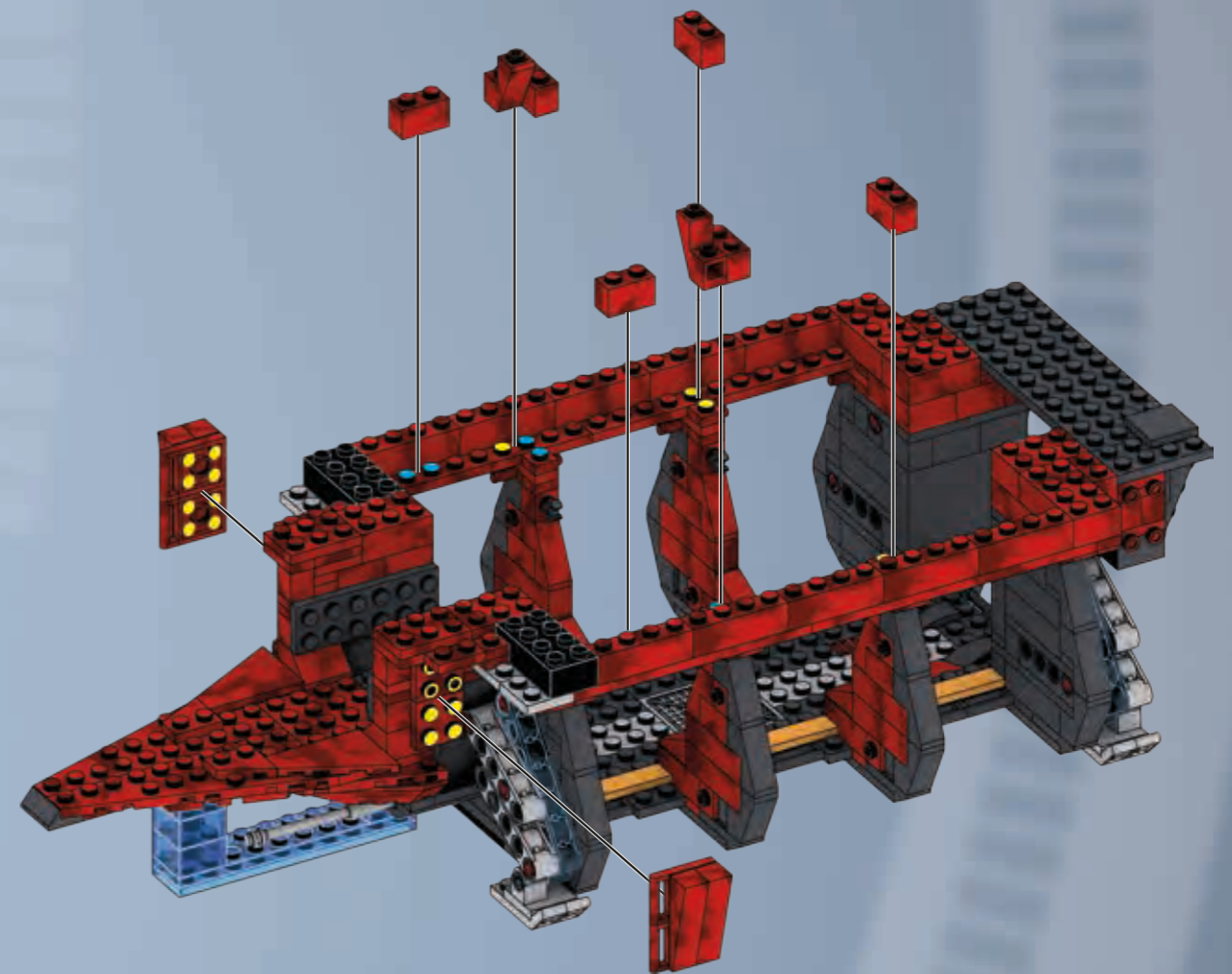
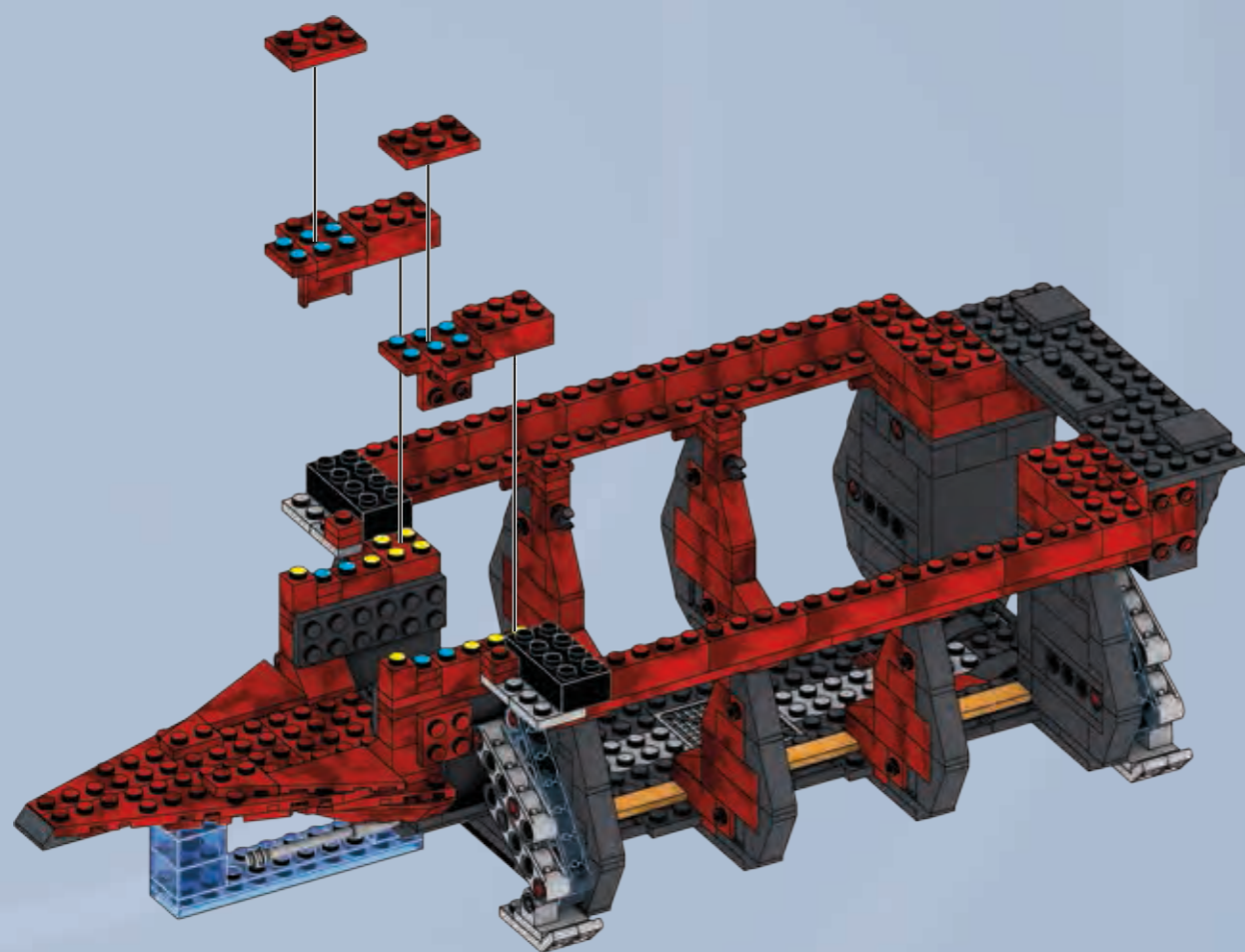
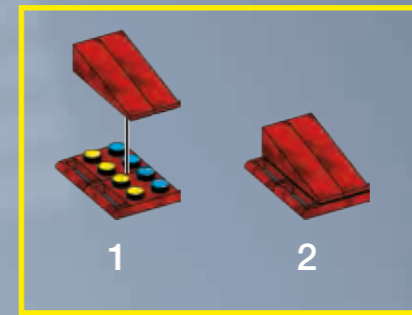
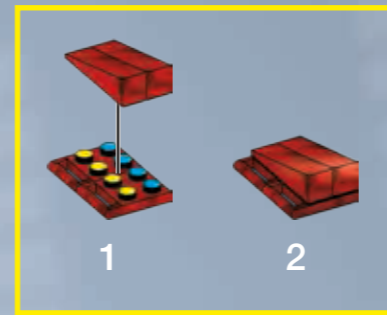
36



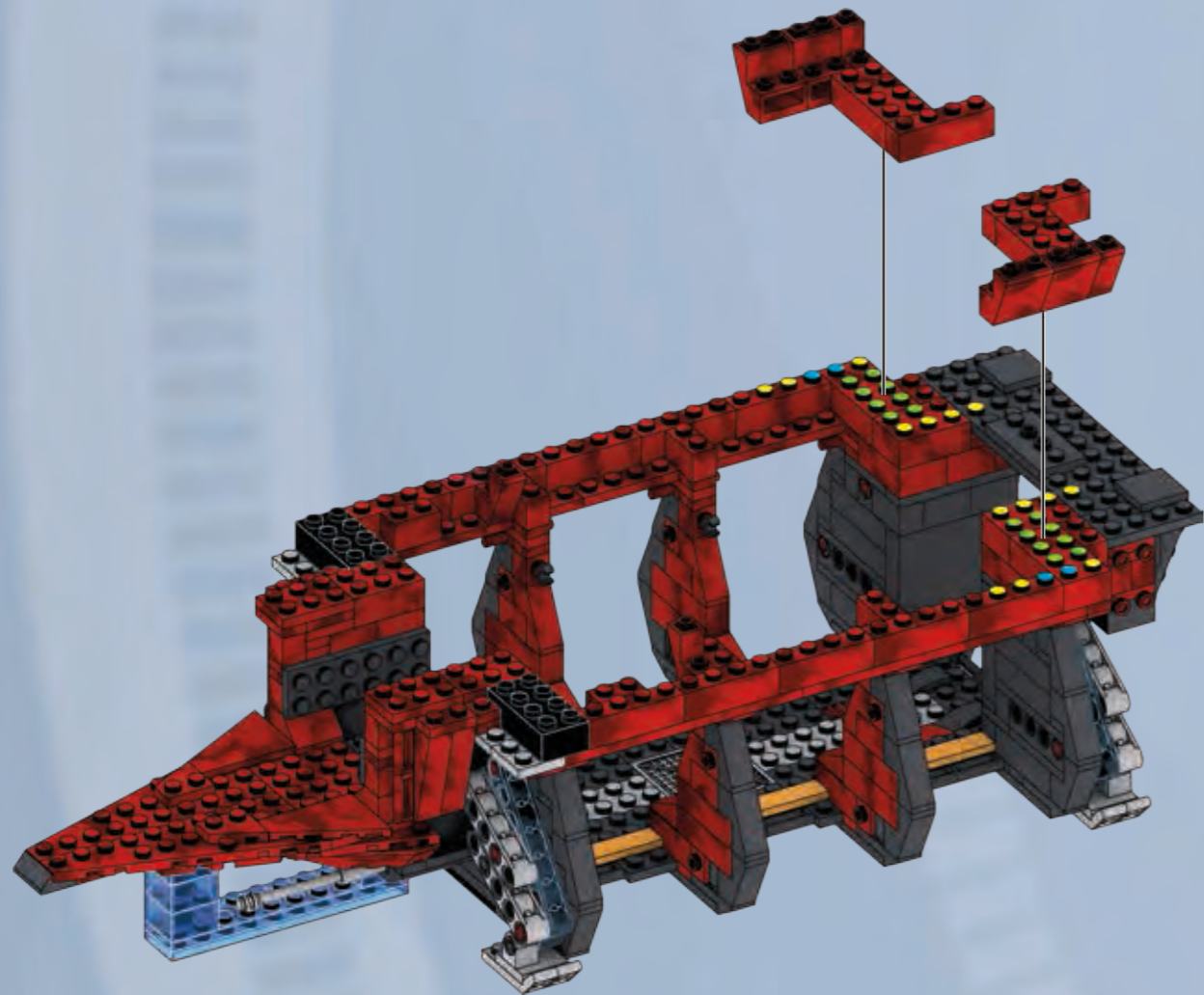
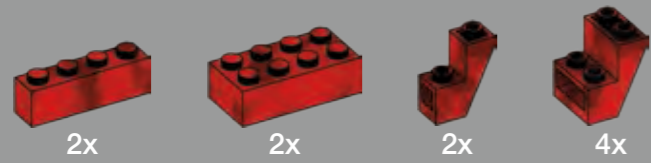
37



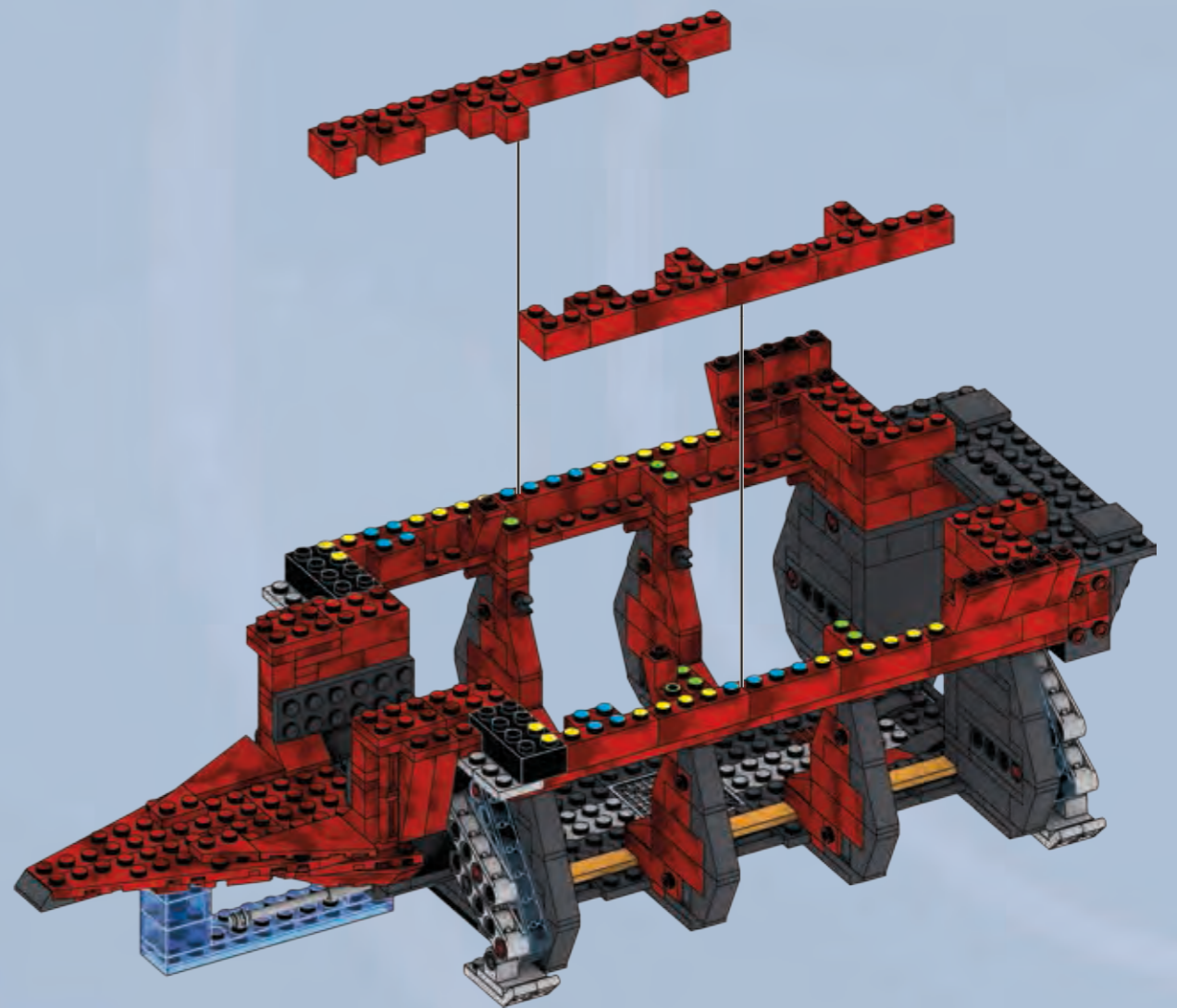
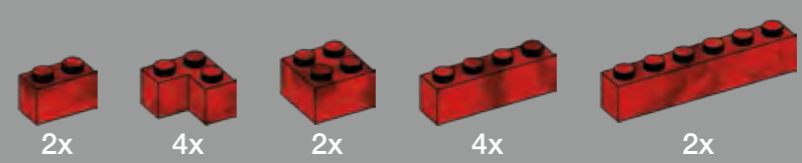
X2



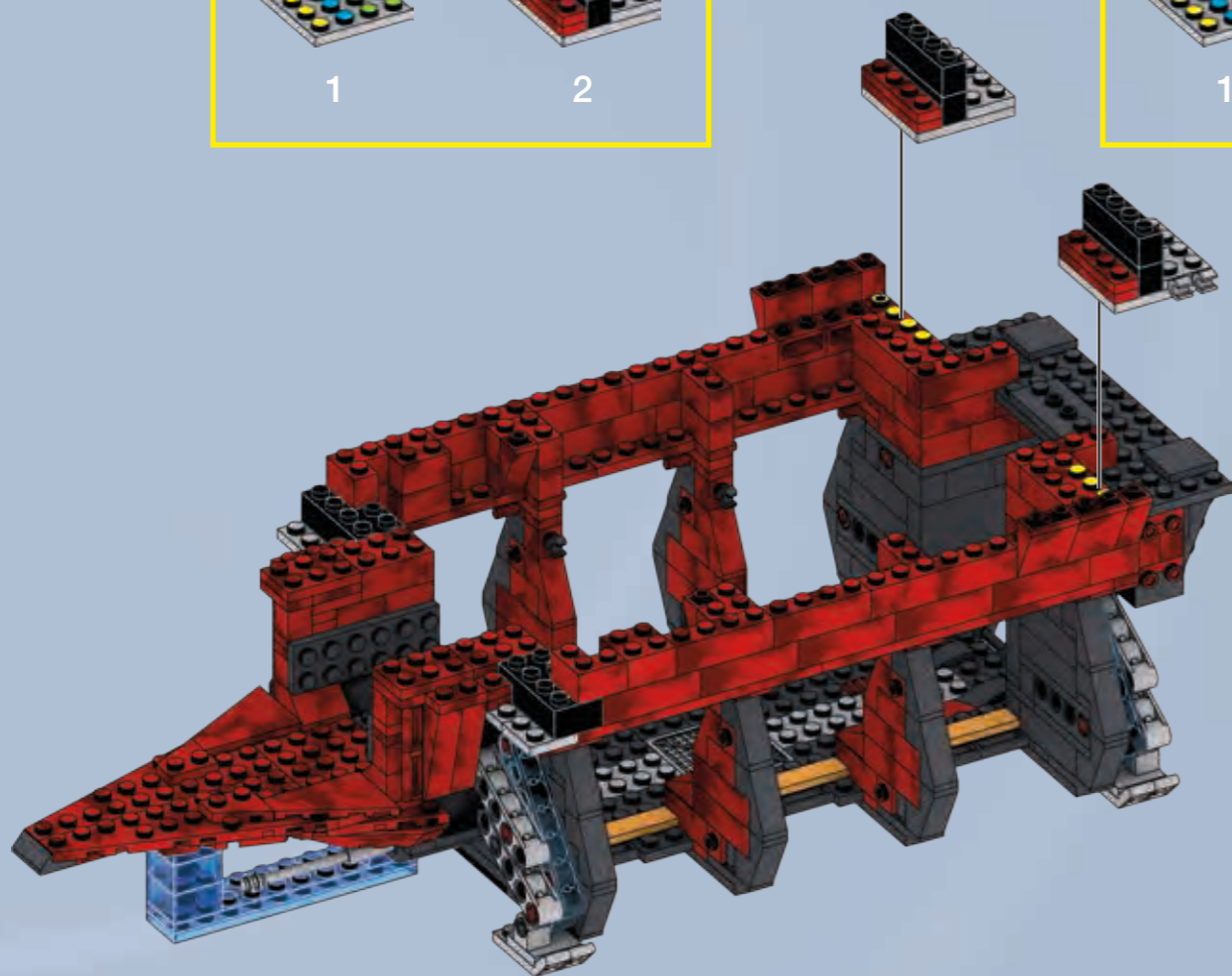
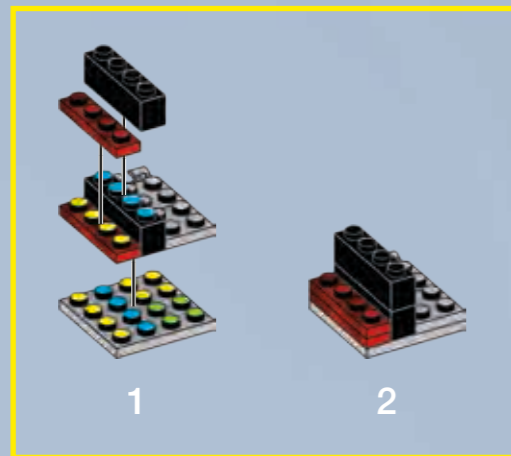
38



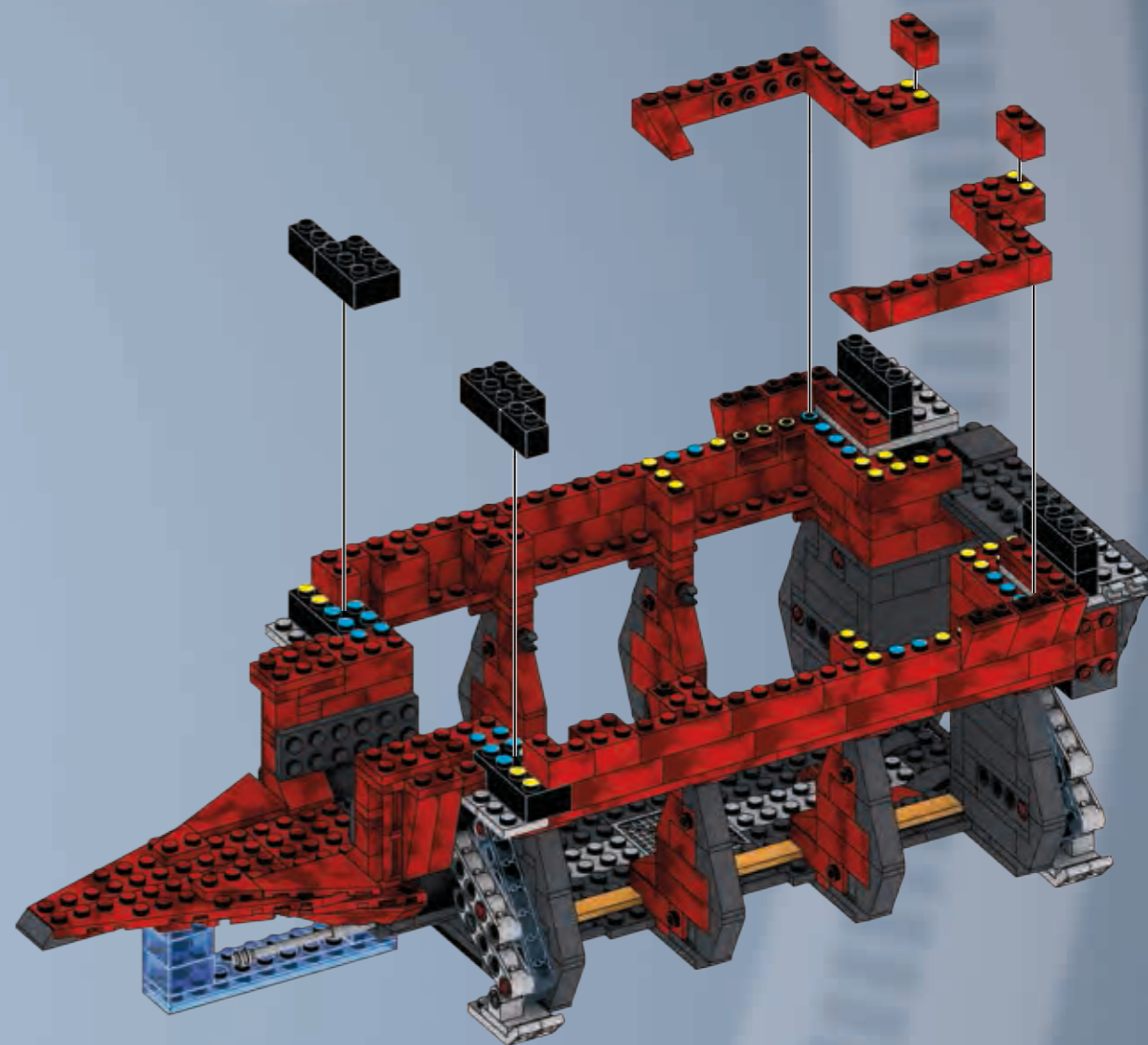
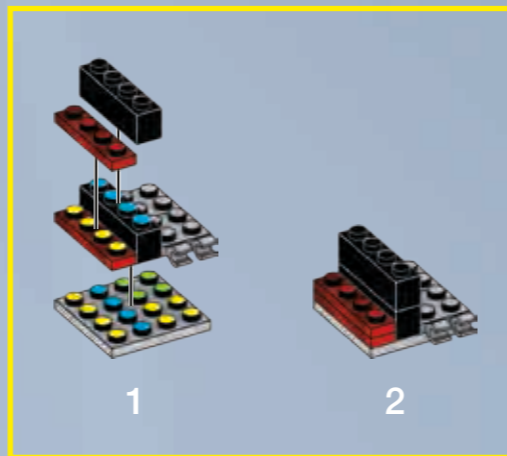
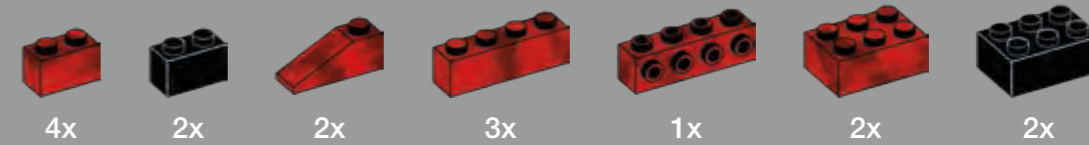
39



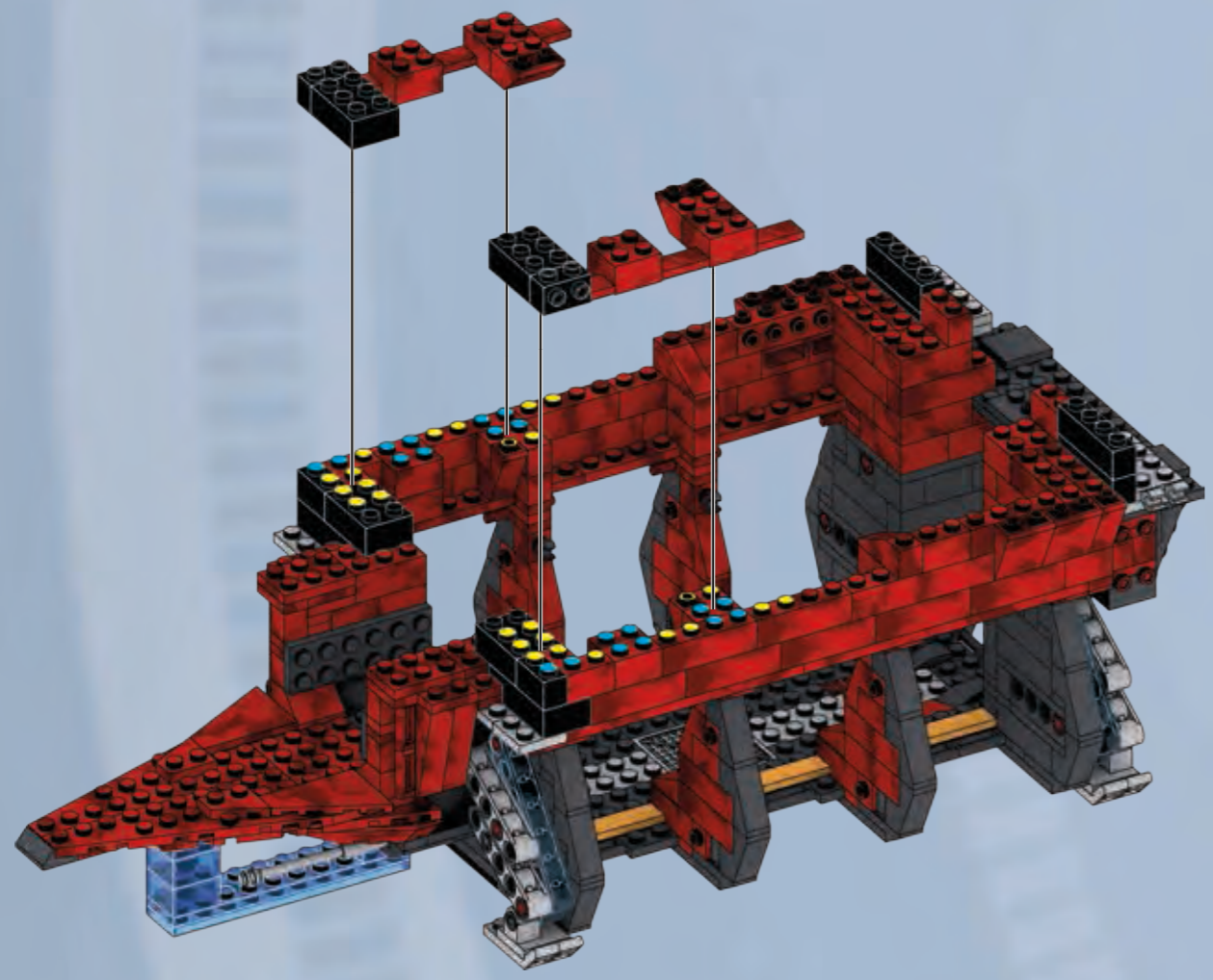
40



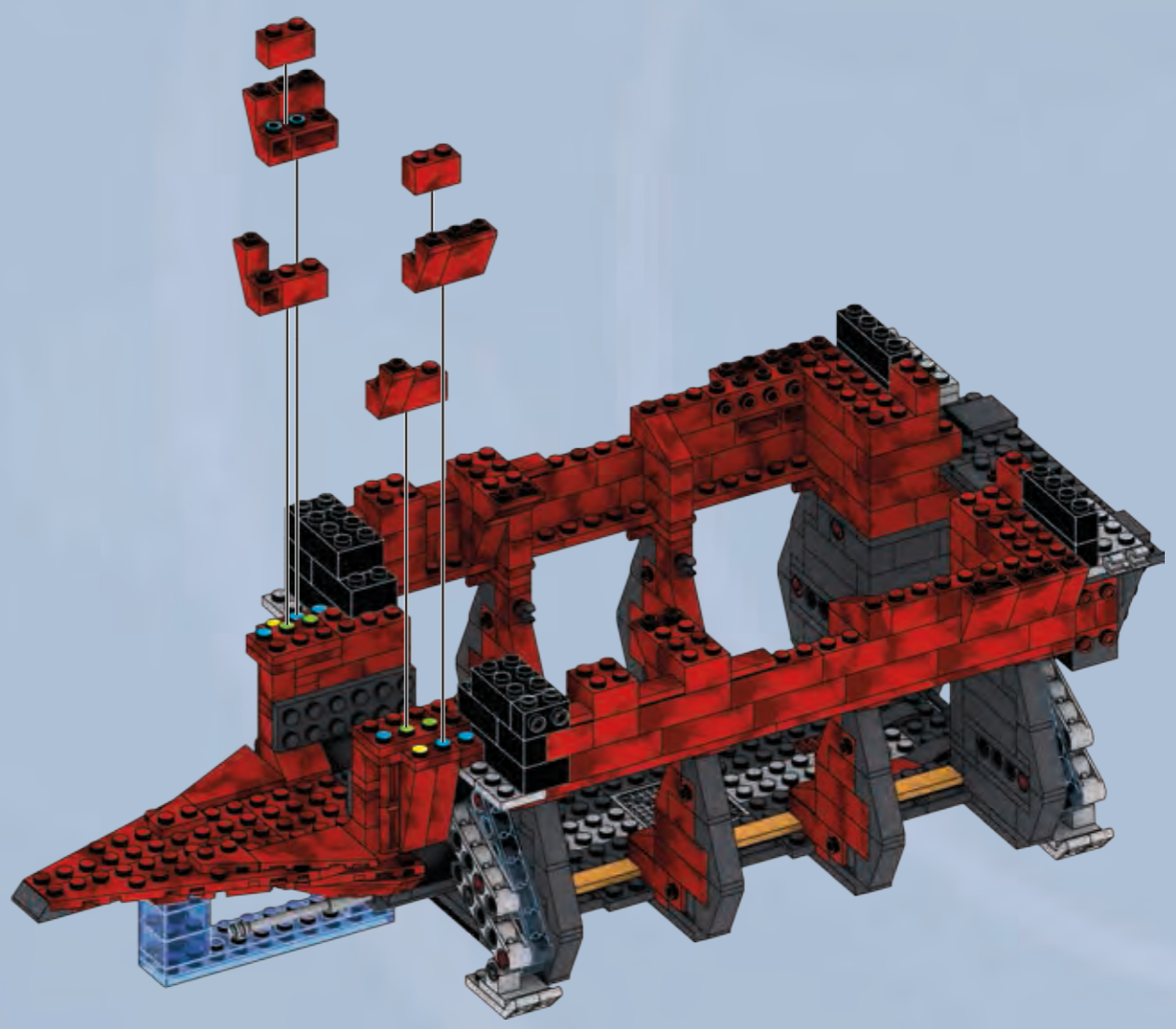
41



42

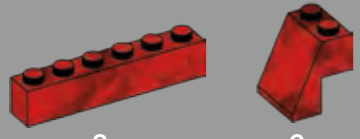


43



1

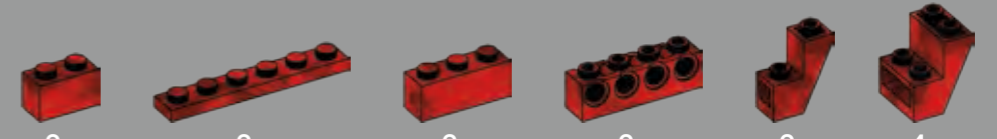
44



2x

6x

45



2x

2x

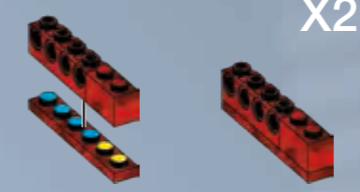
2x

2x

2x

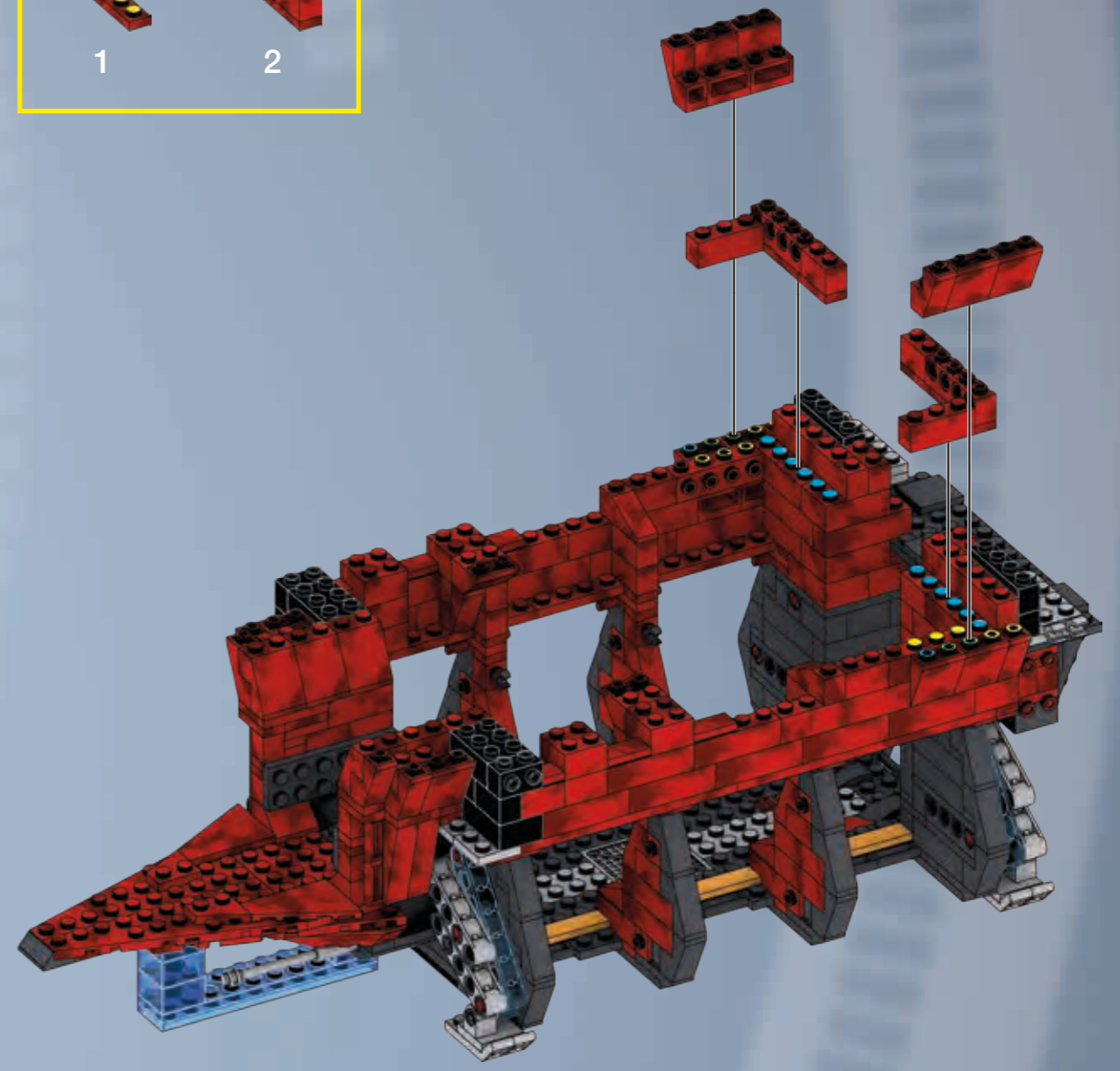
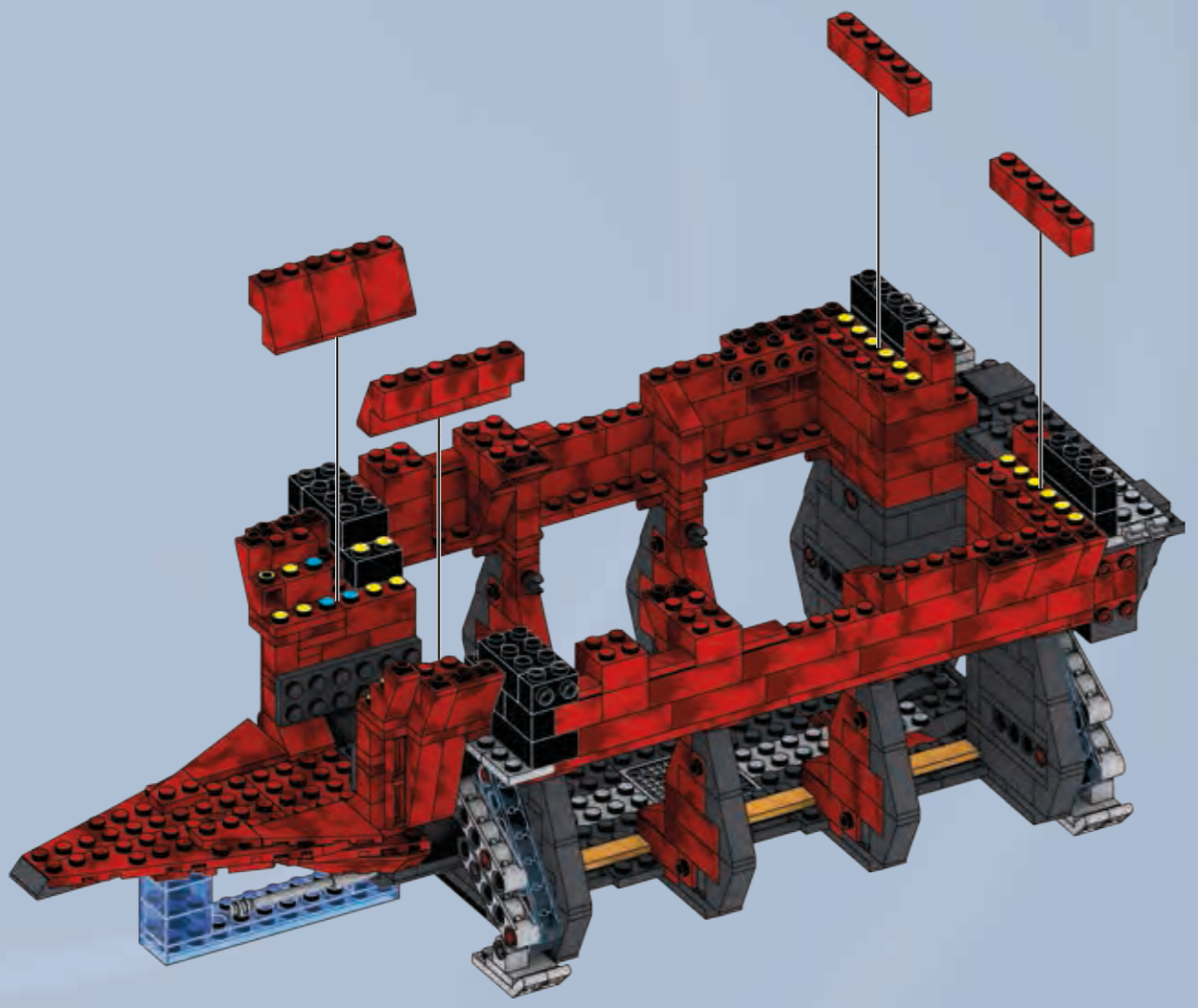
4x

X2



1

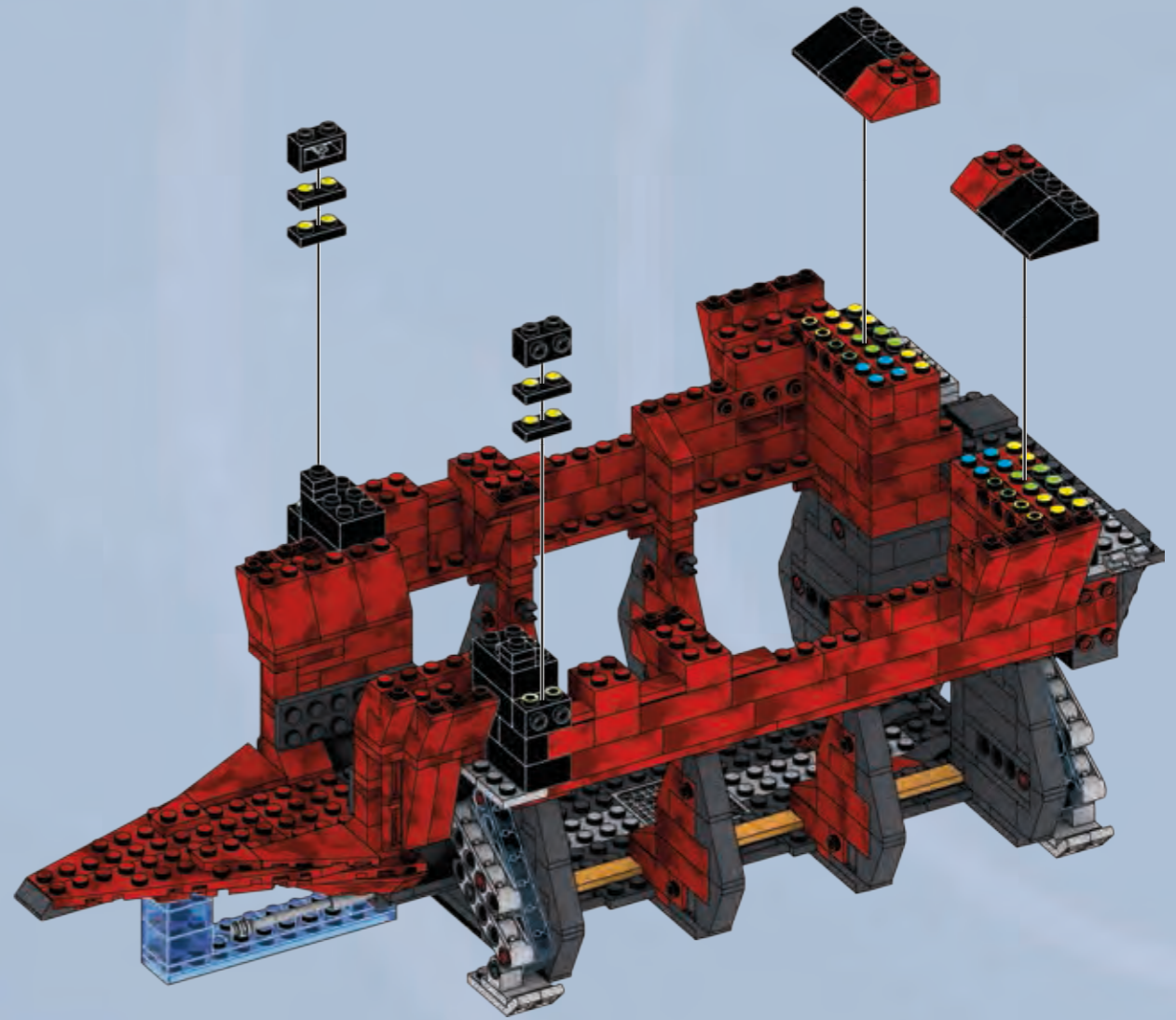
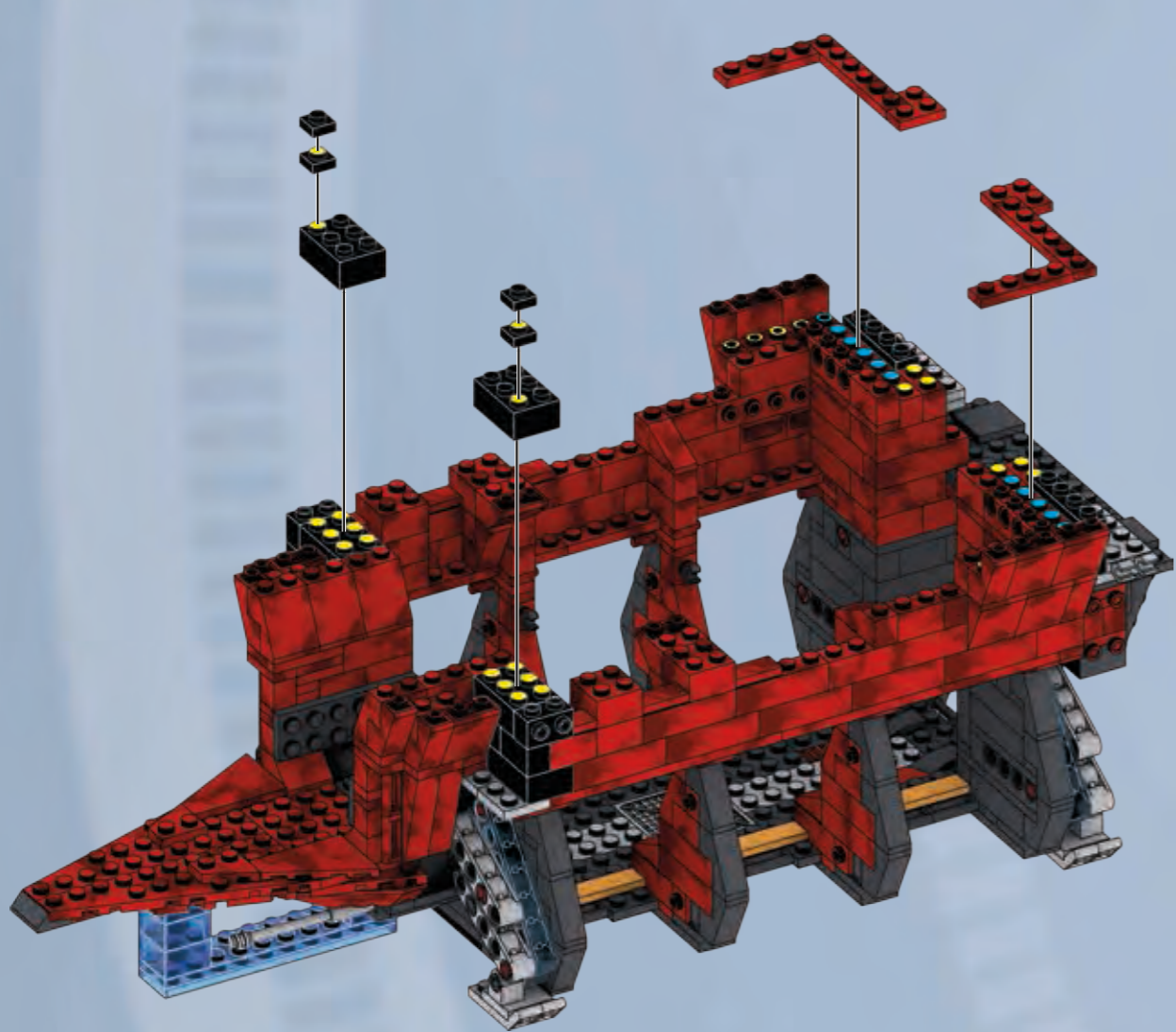
2



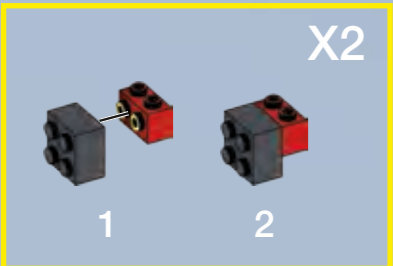
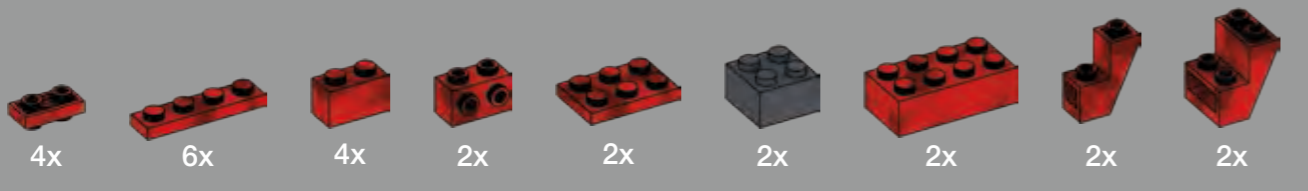
46



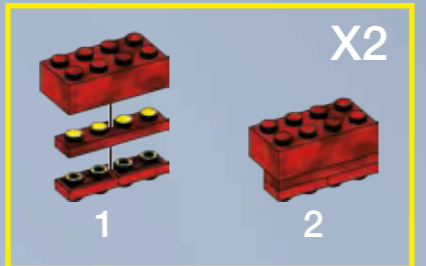
47



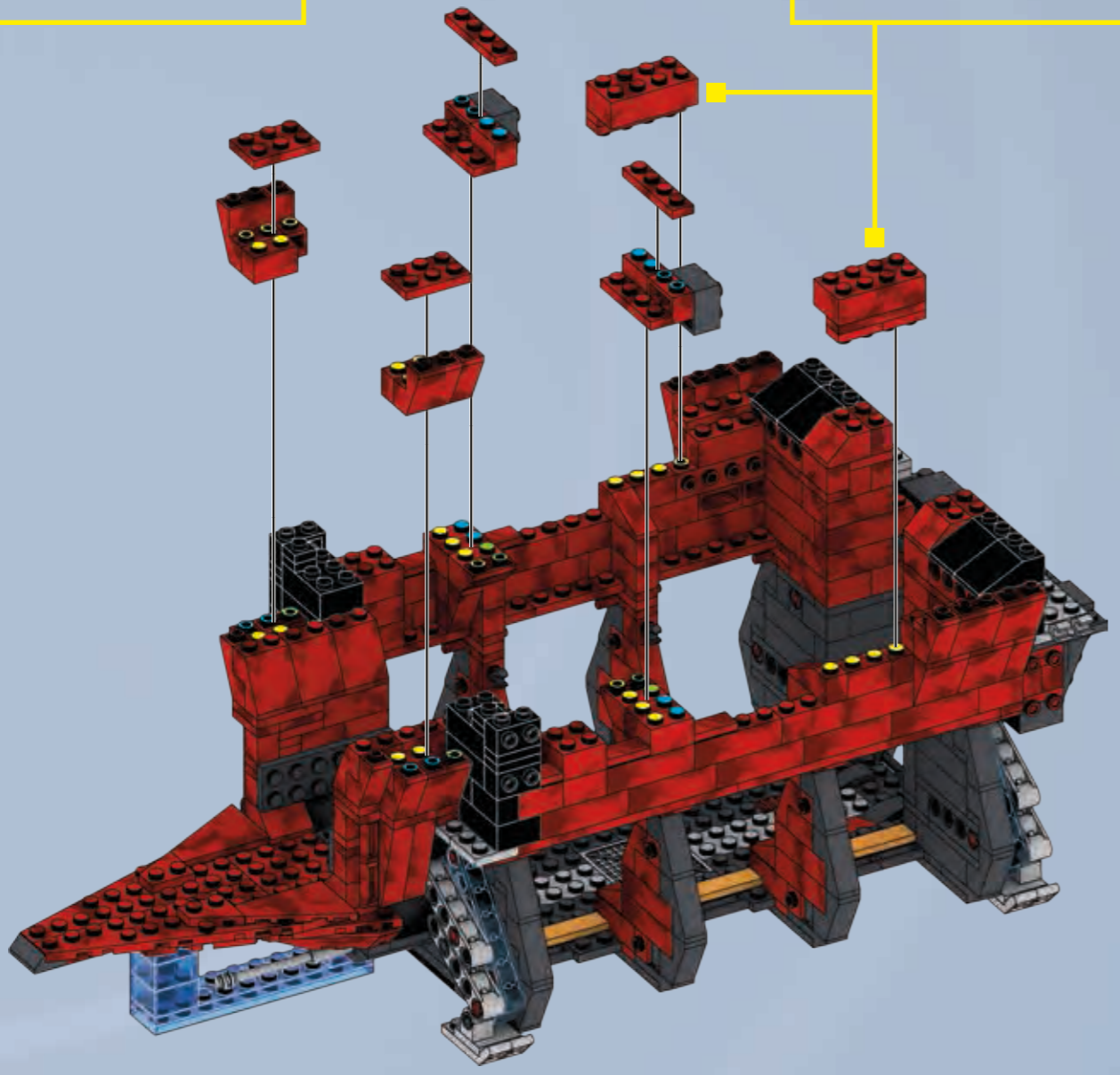
48



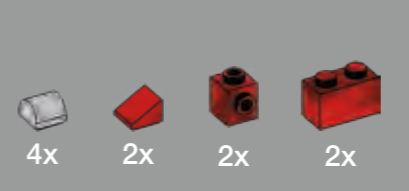
X2



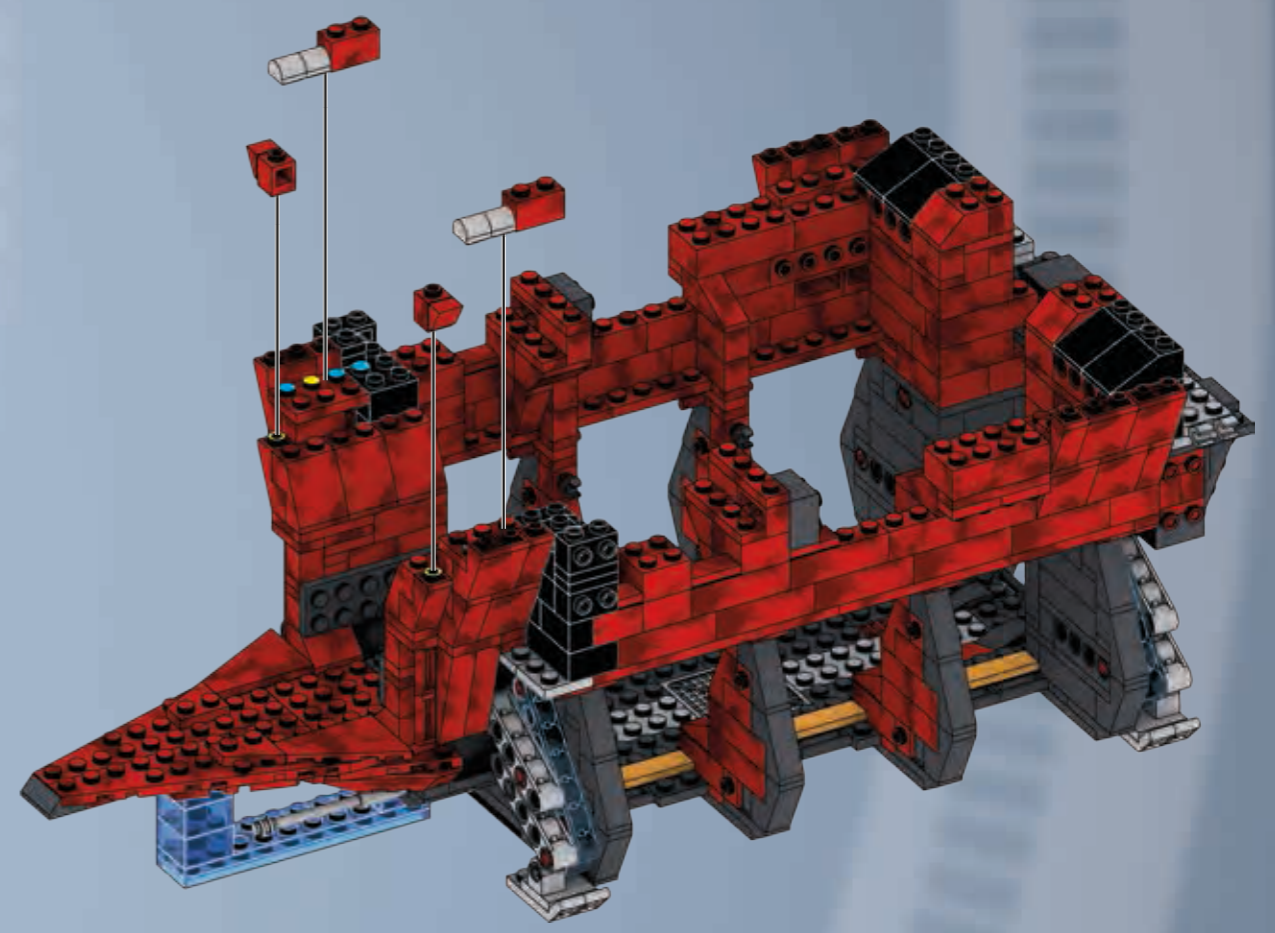
X2



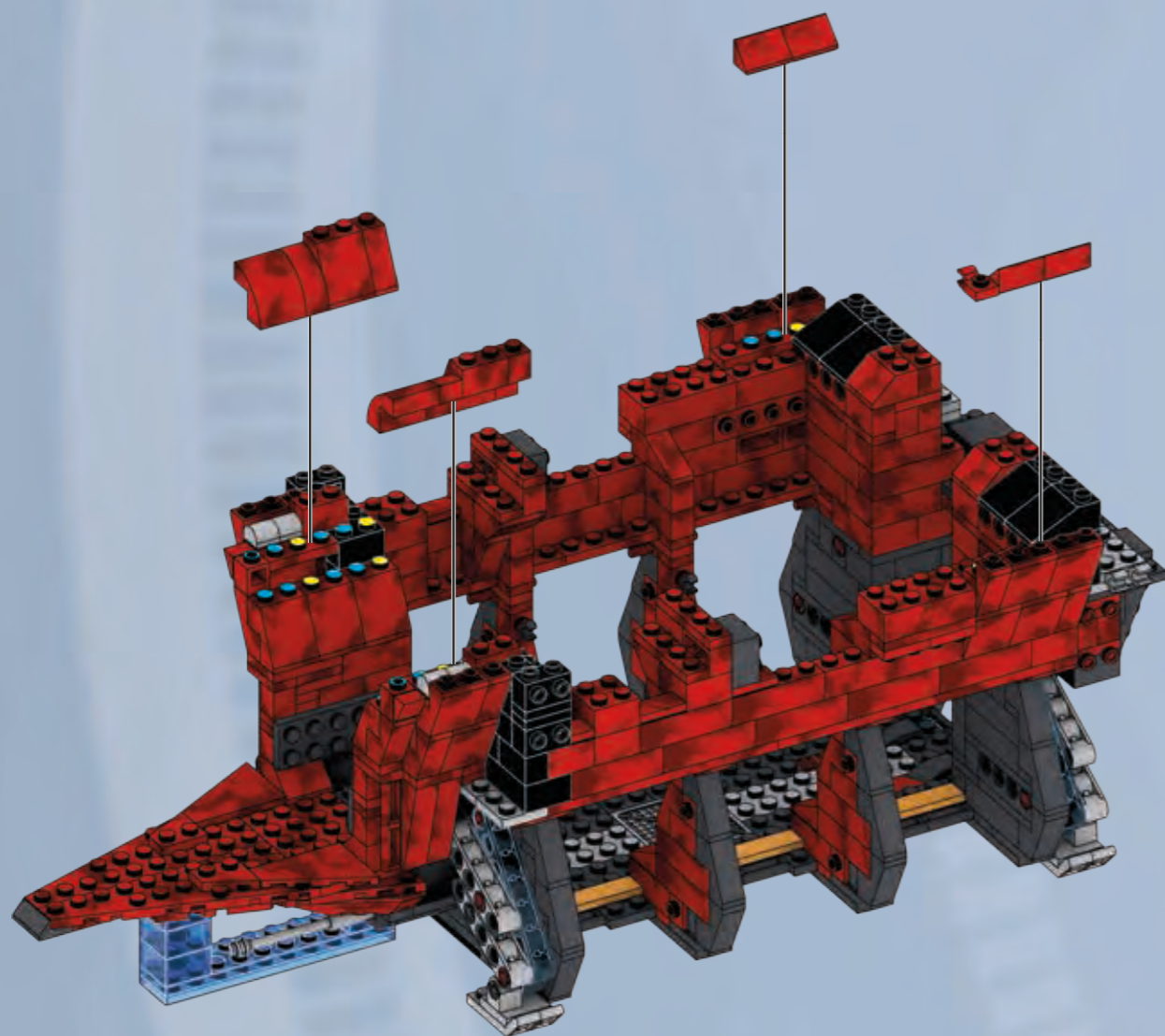
49



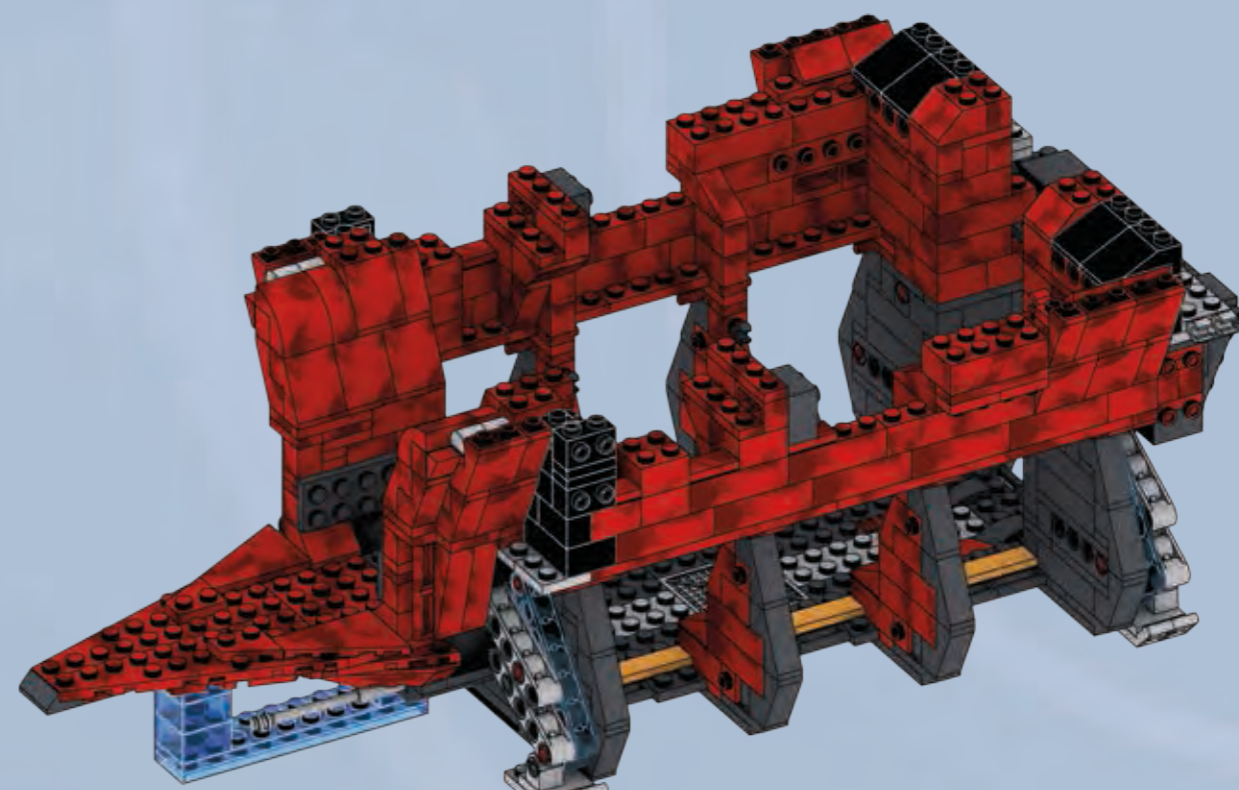
X2



50

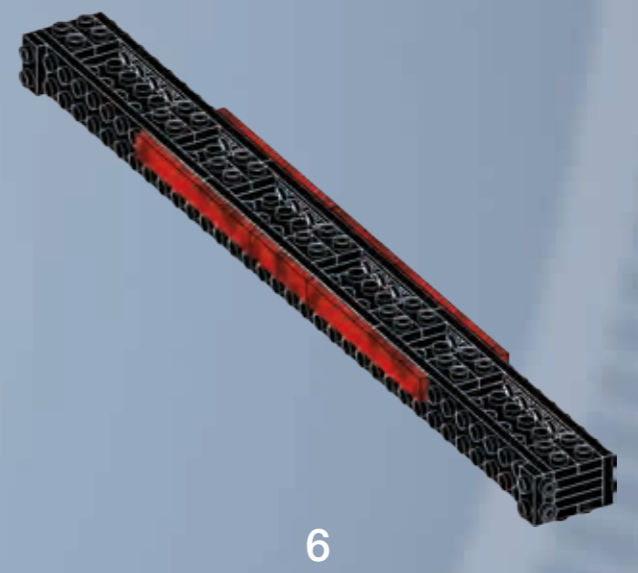
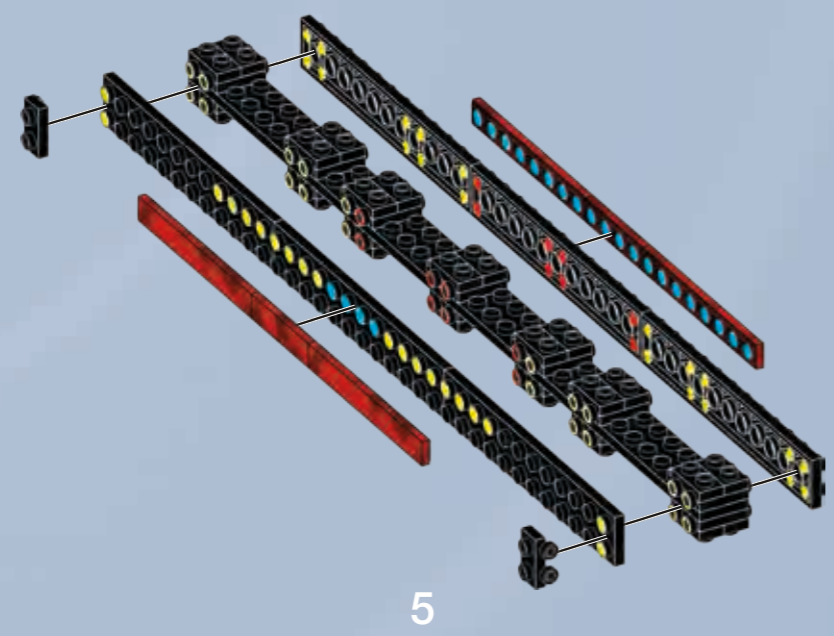
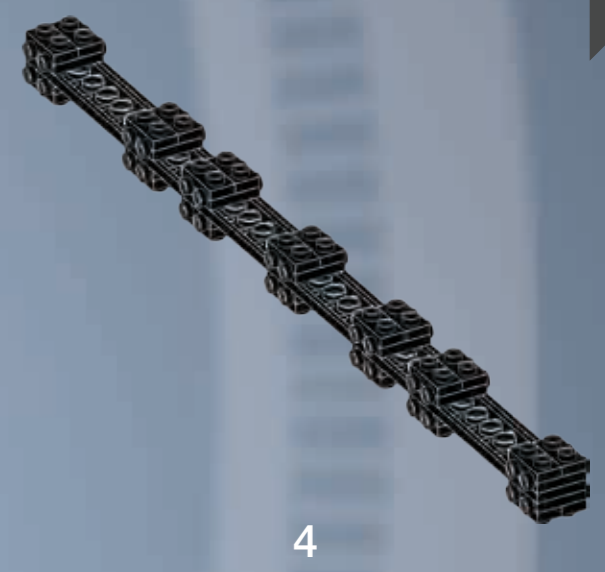
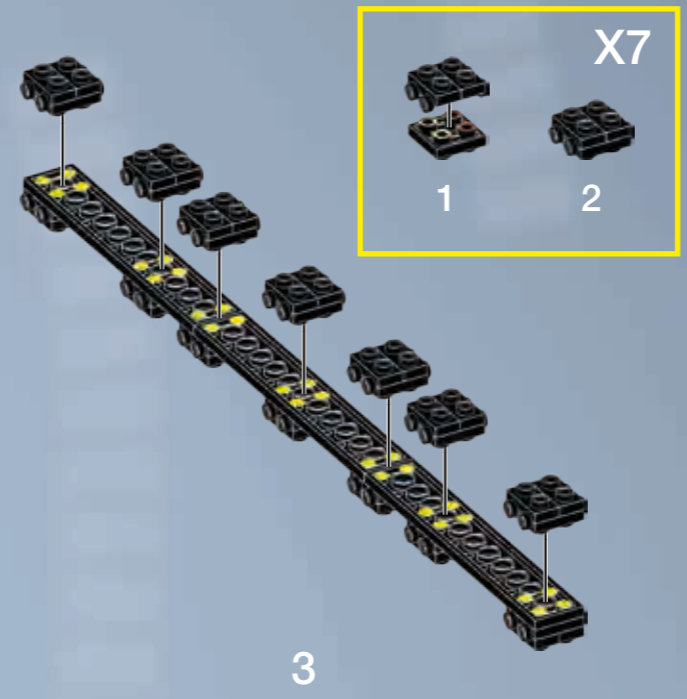
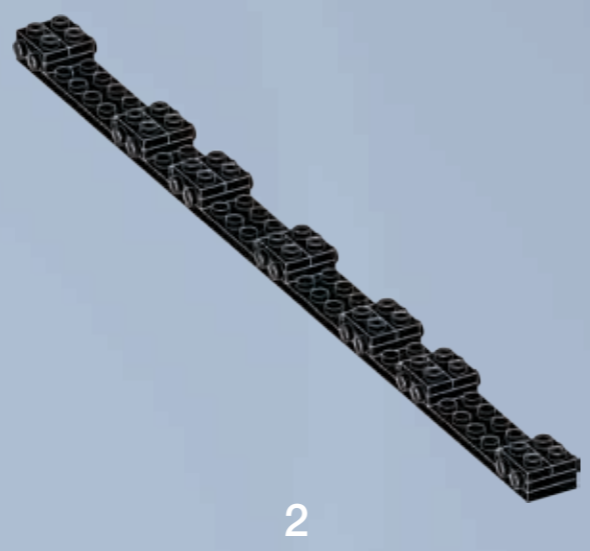
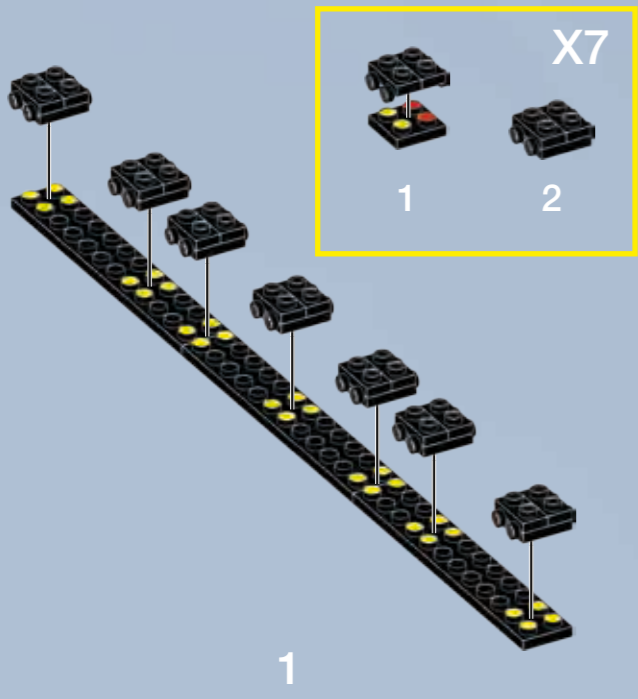
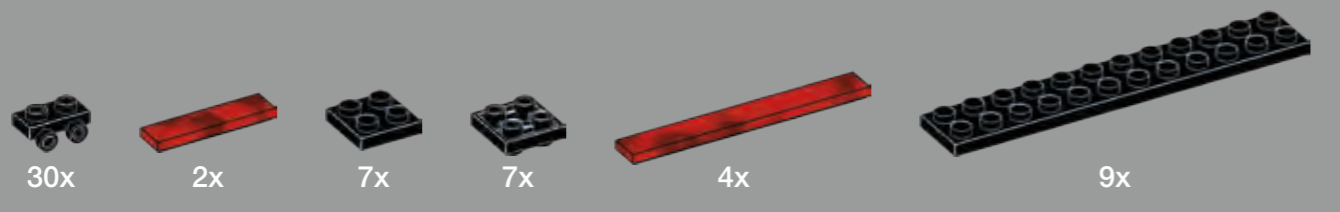


1



2

51

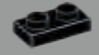


52




2x


53




2x



2x




4x




2x

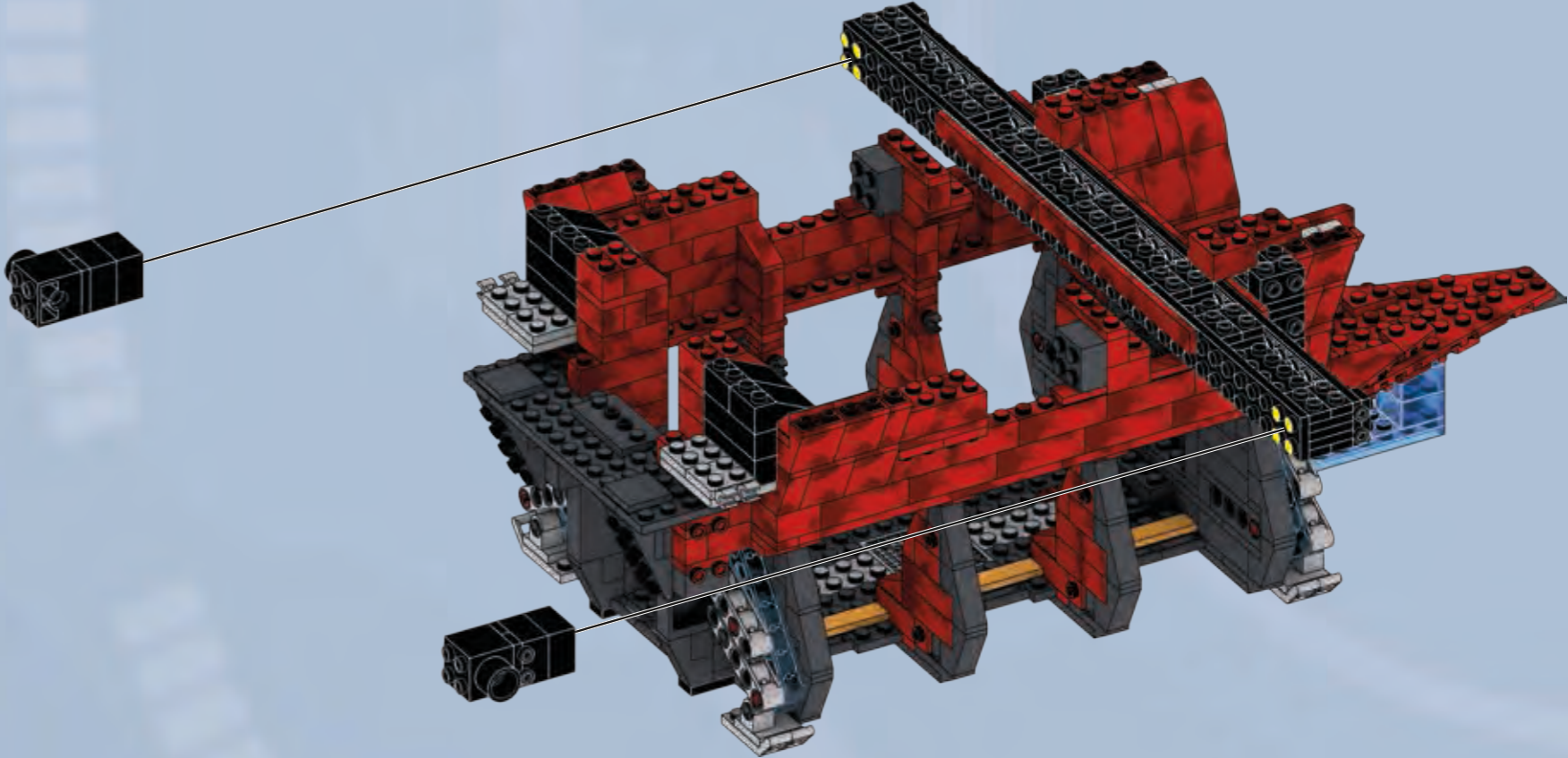
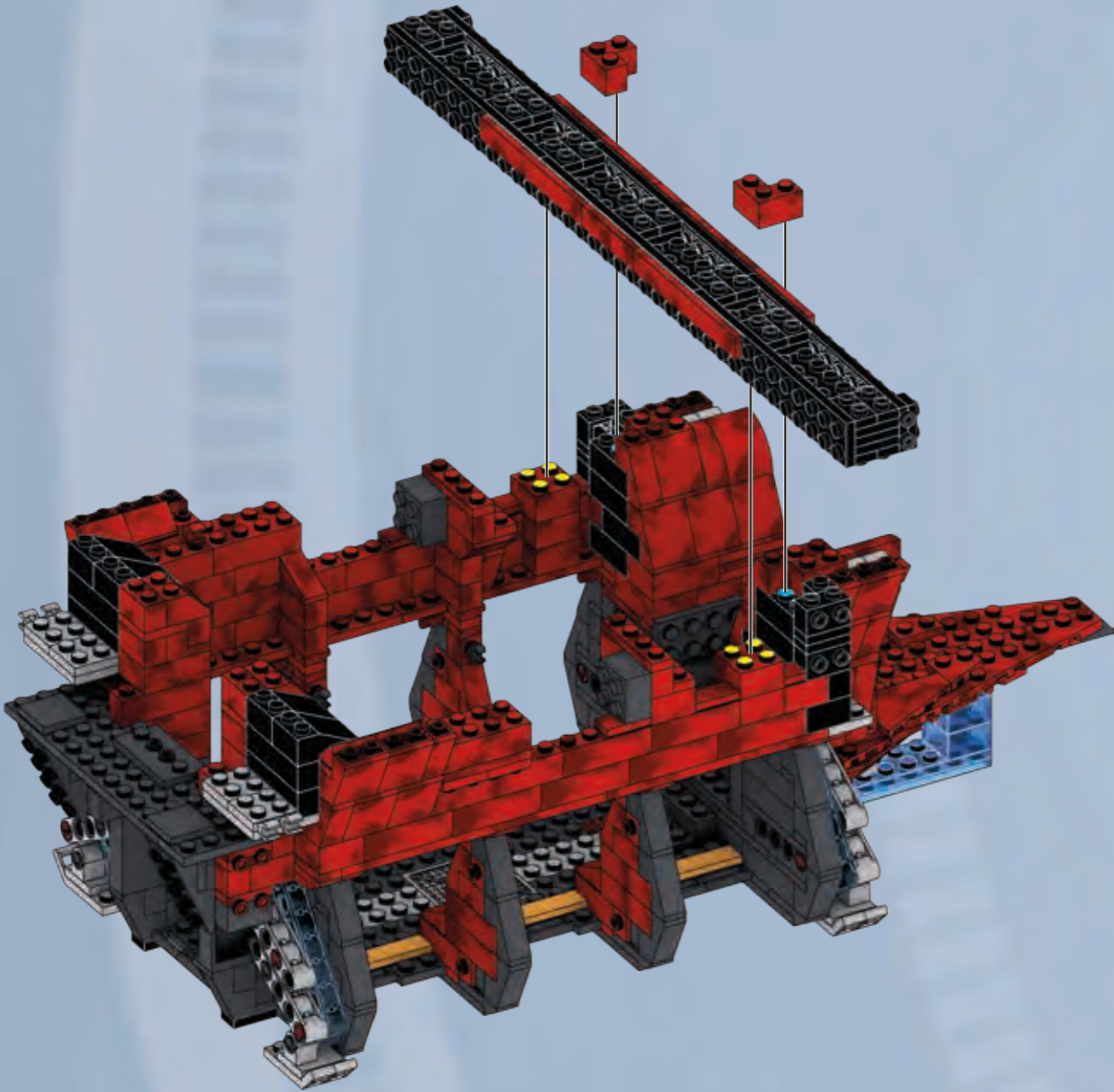
X2



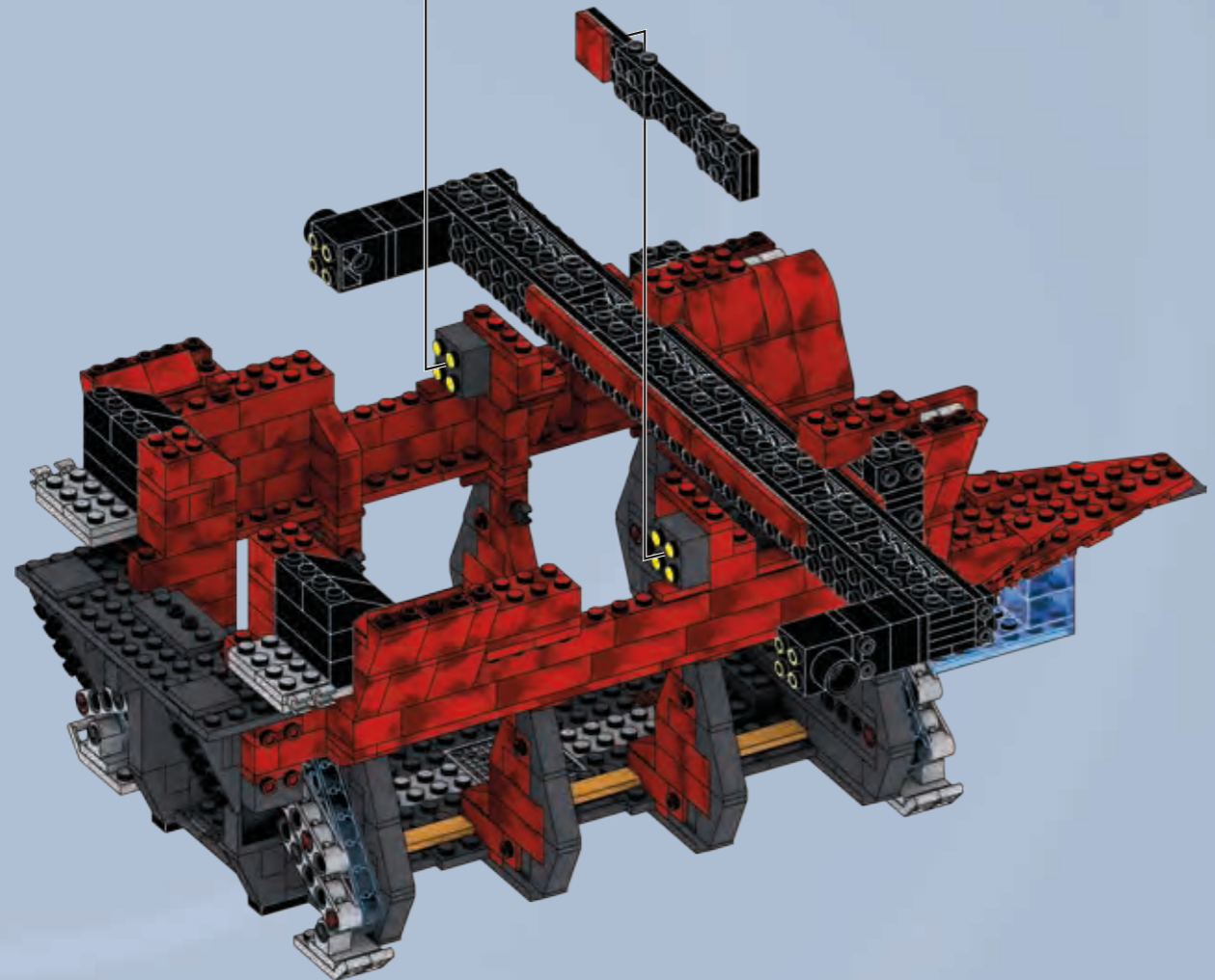
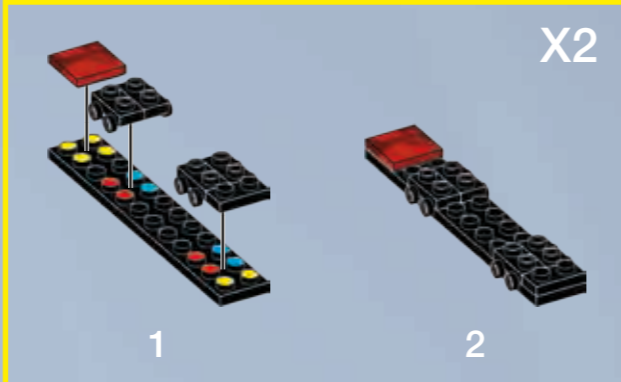
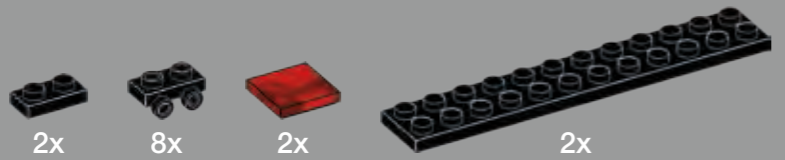
1



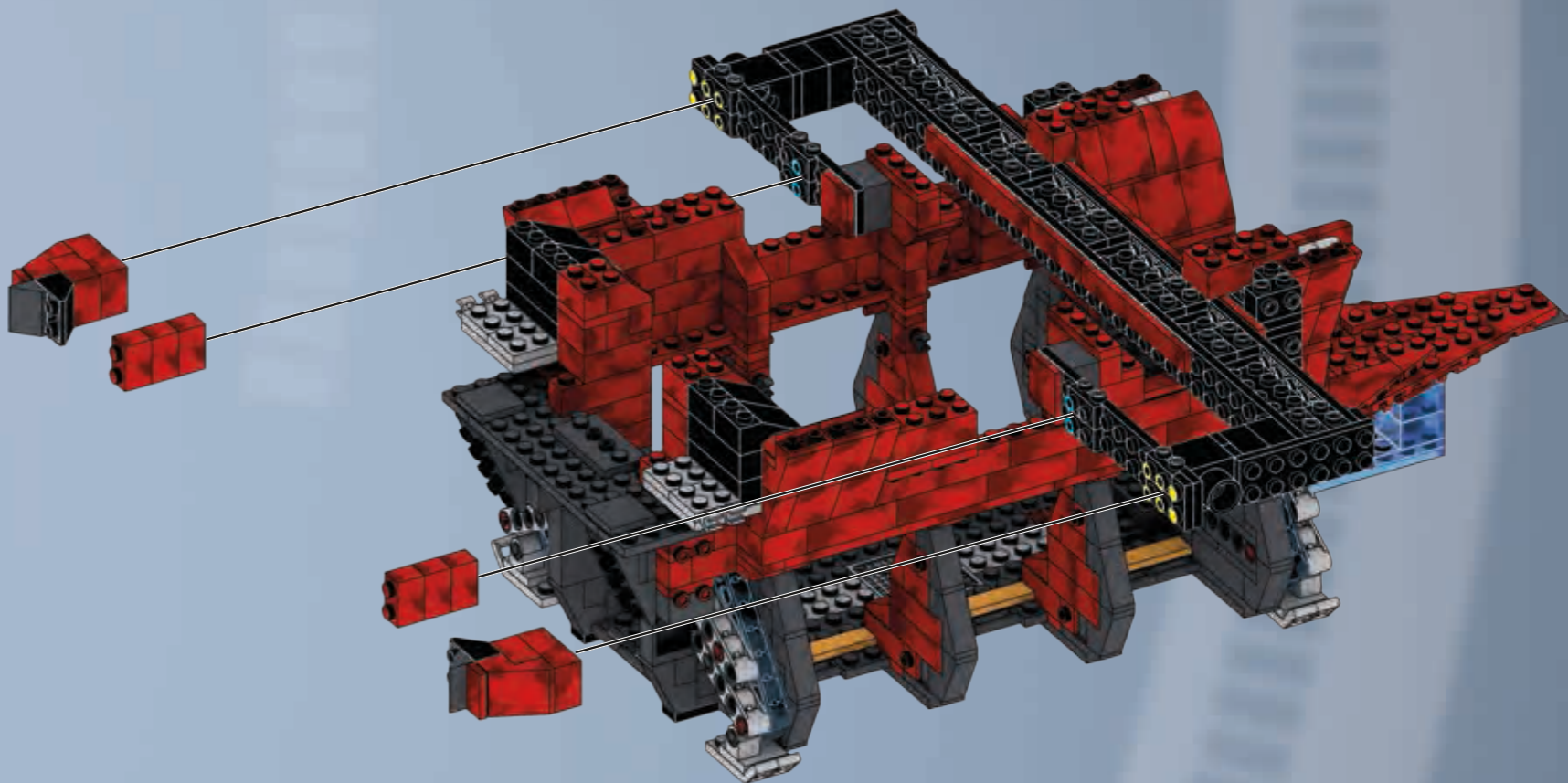
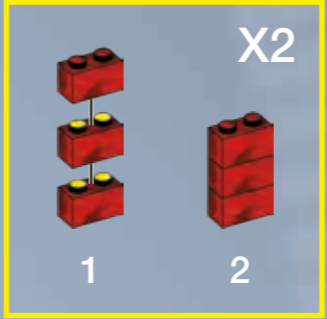
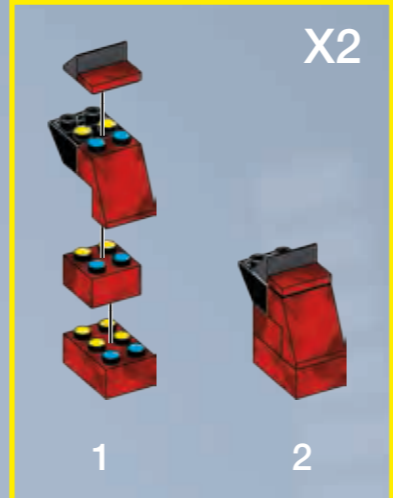
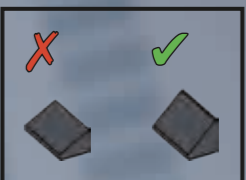
2

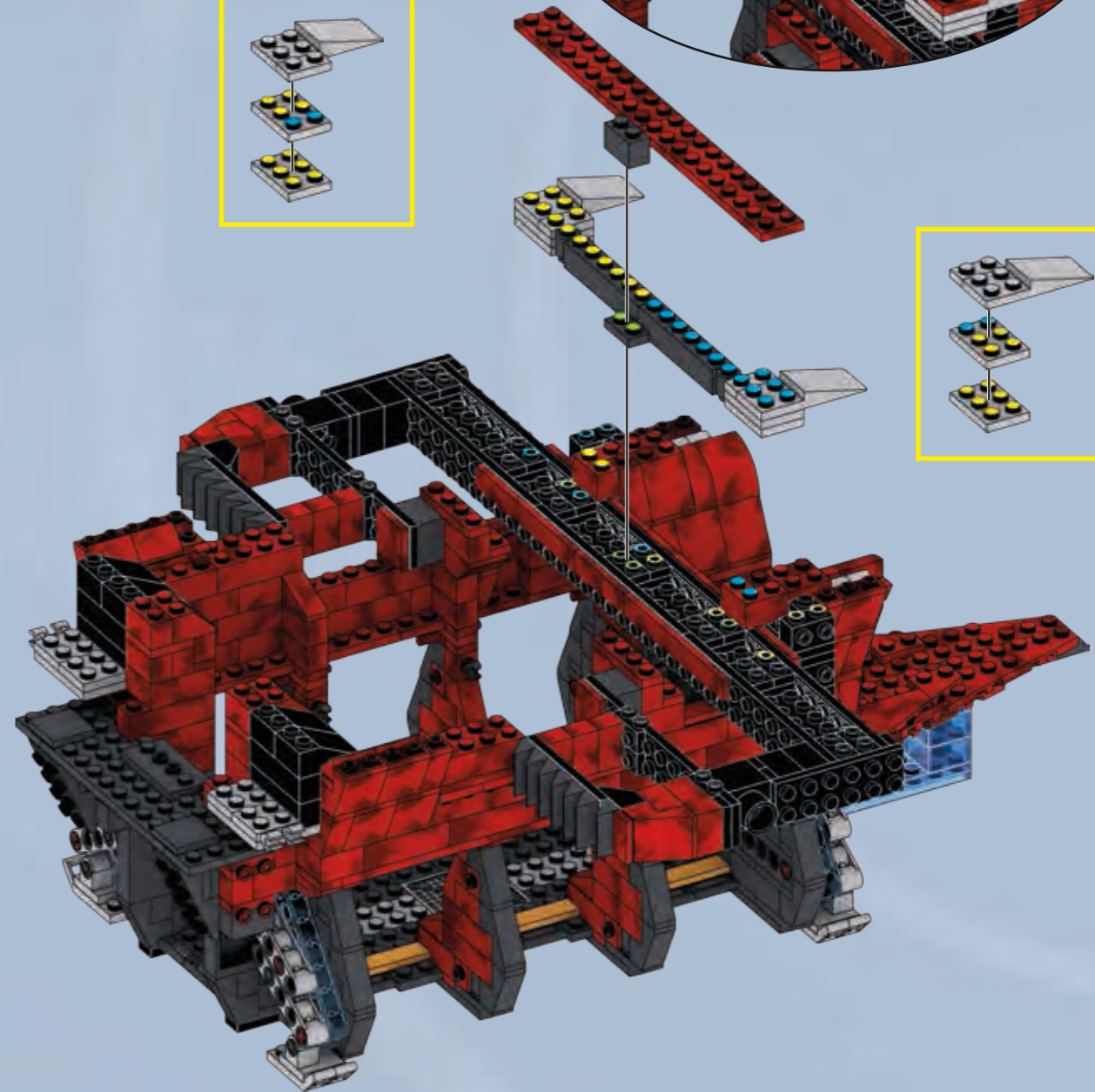
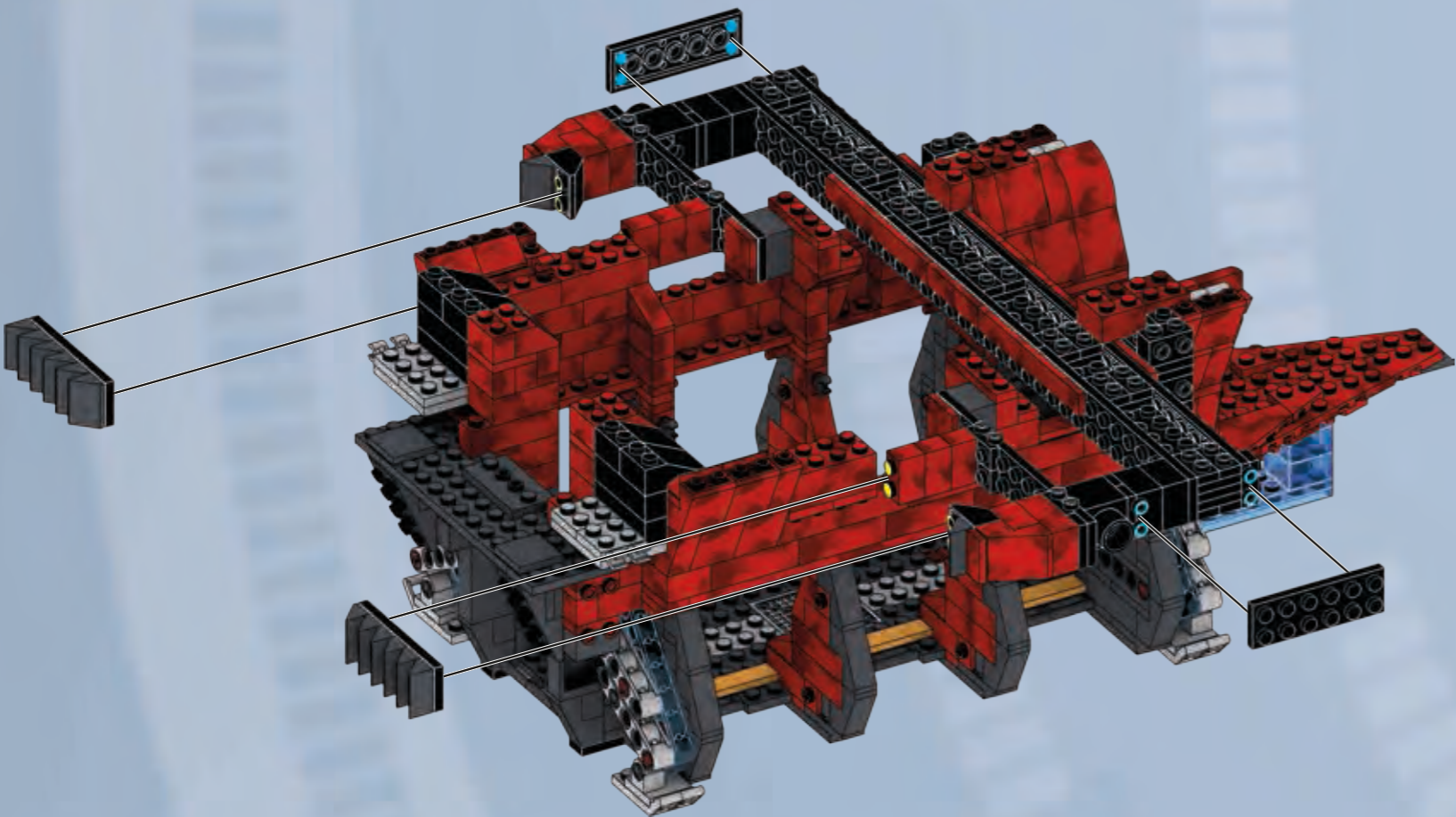
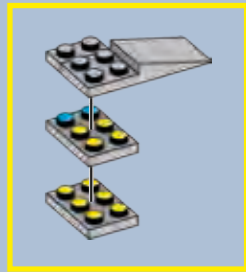
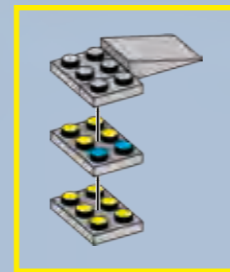
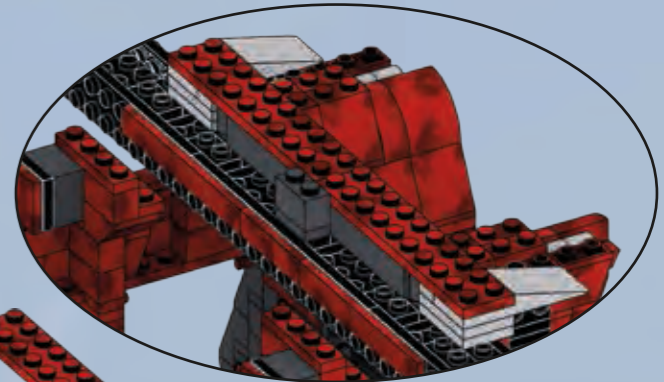
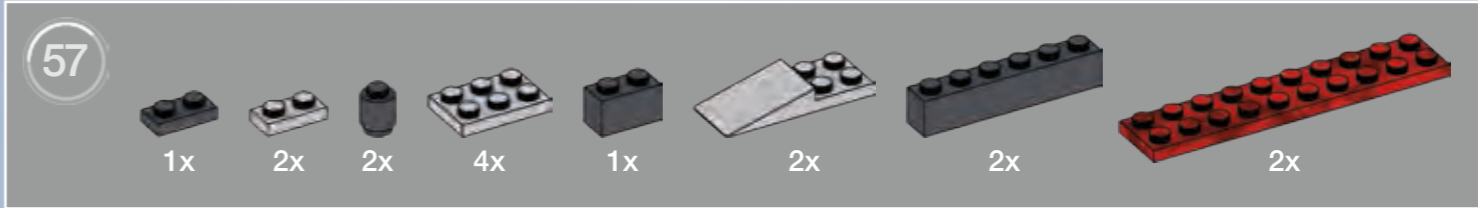
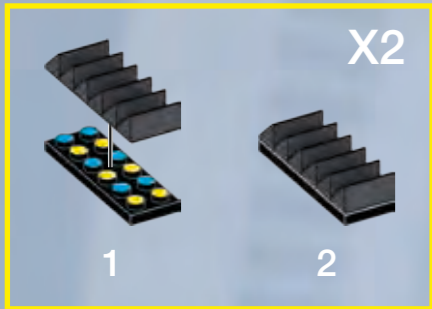


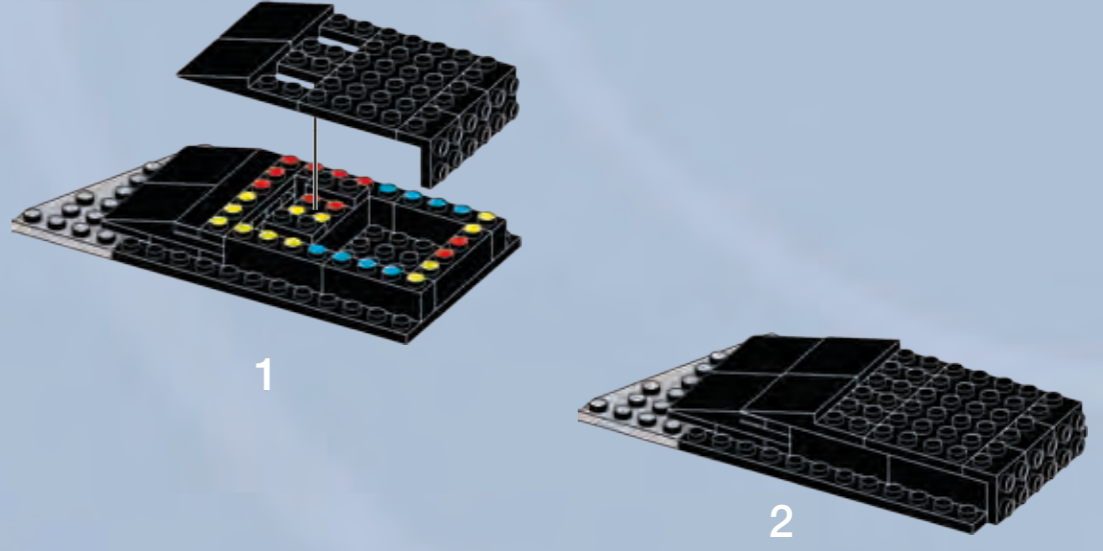
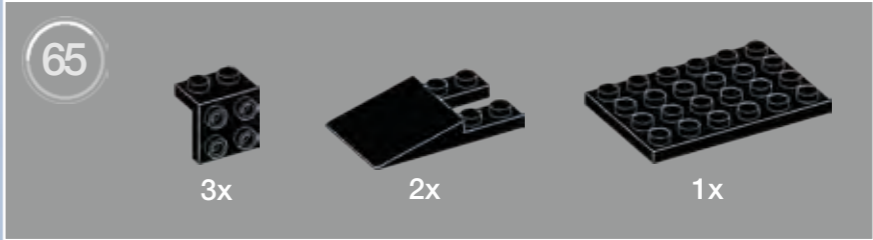
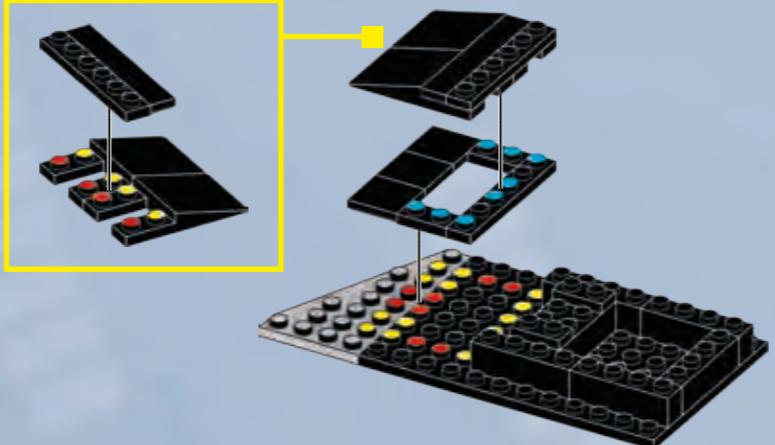
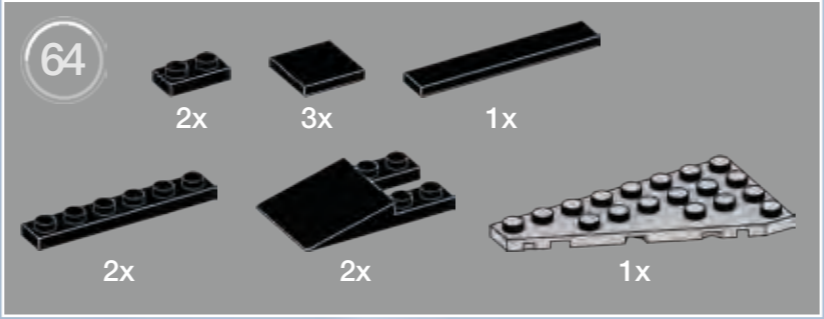
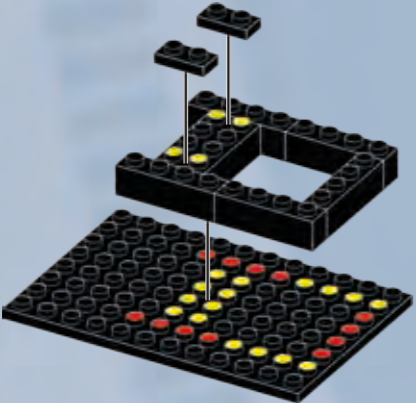
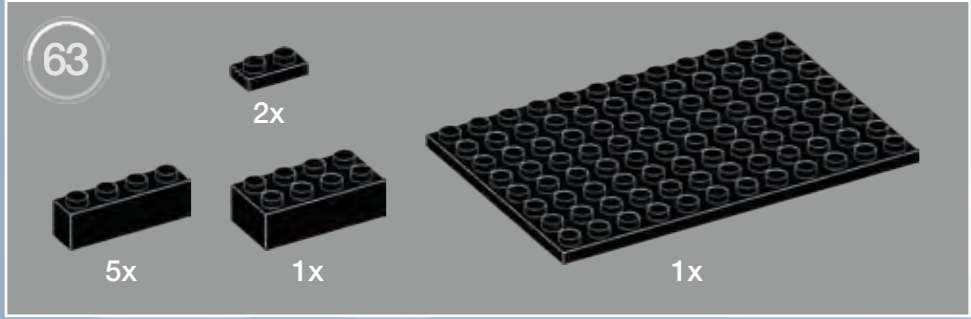
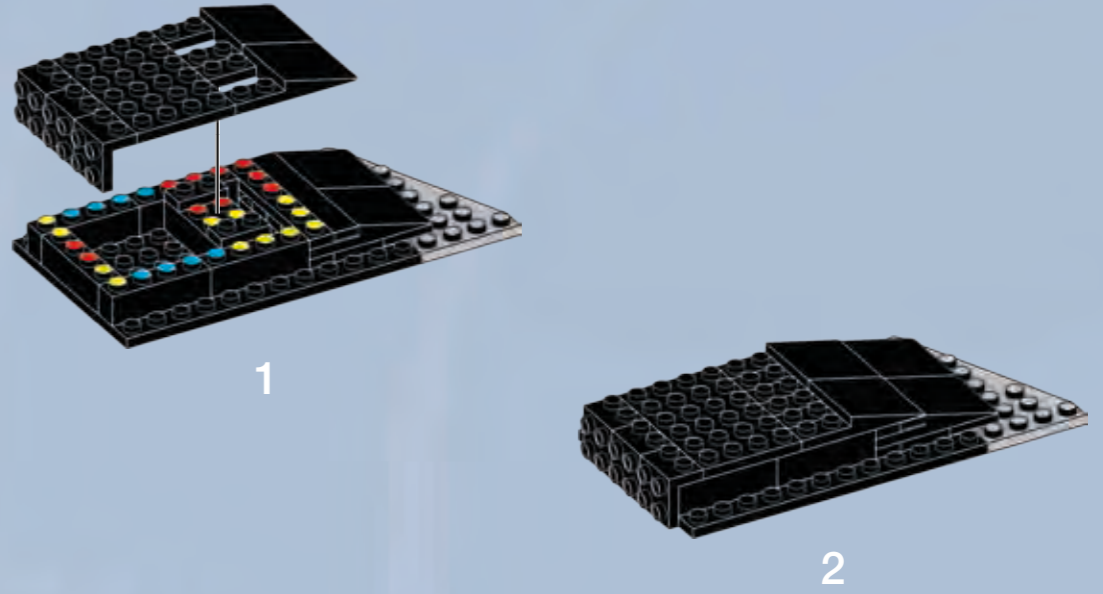
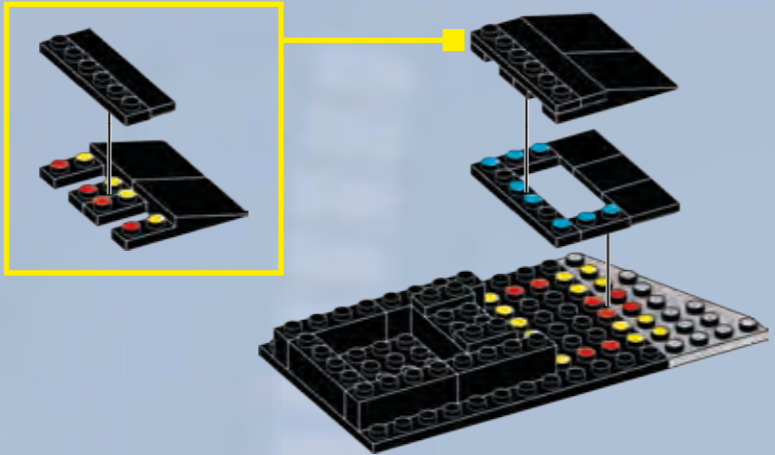
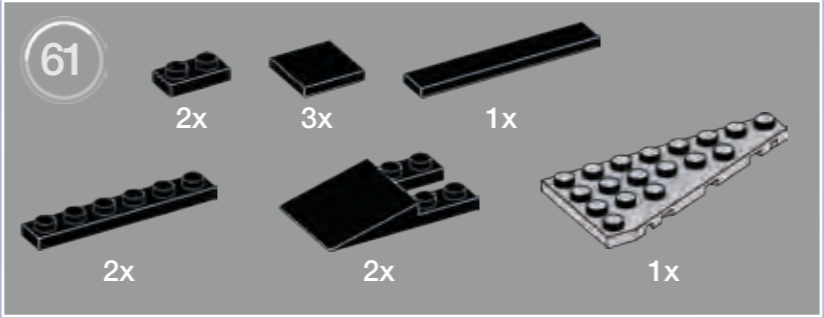
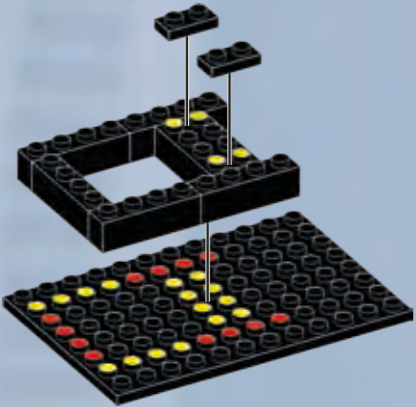
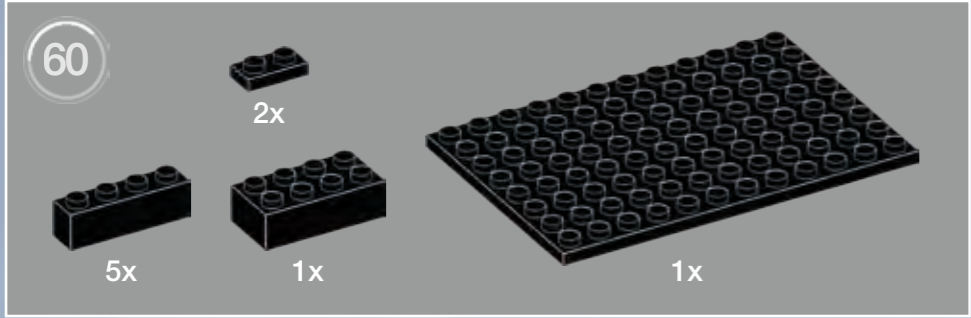
54



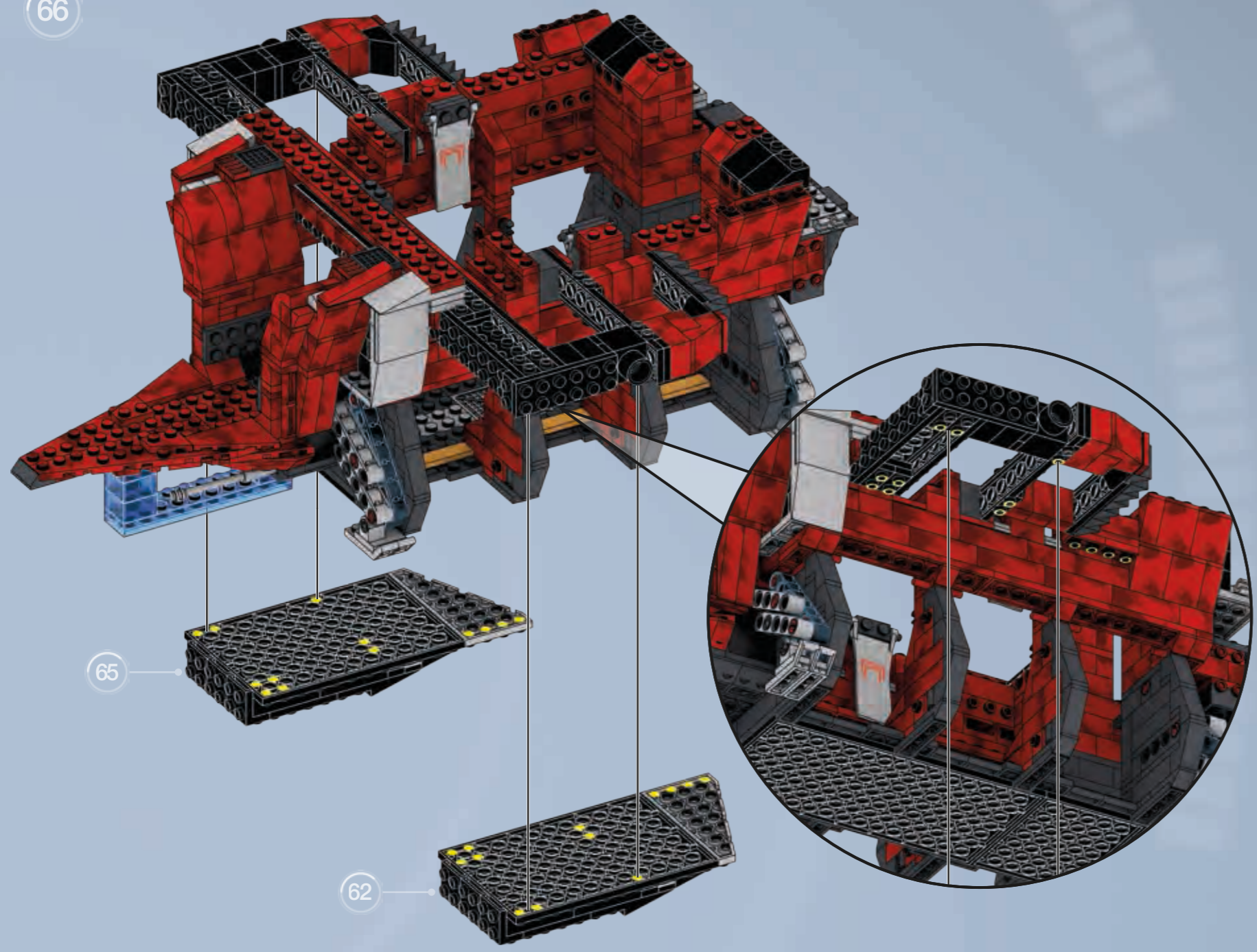
55





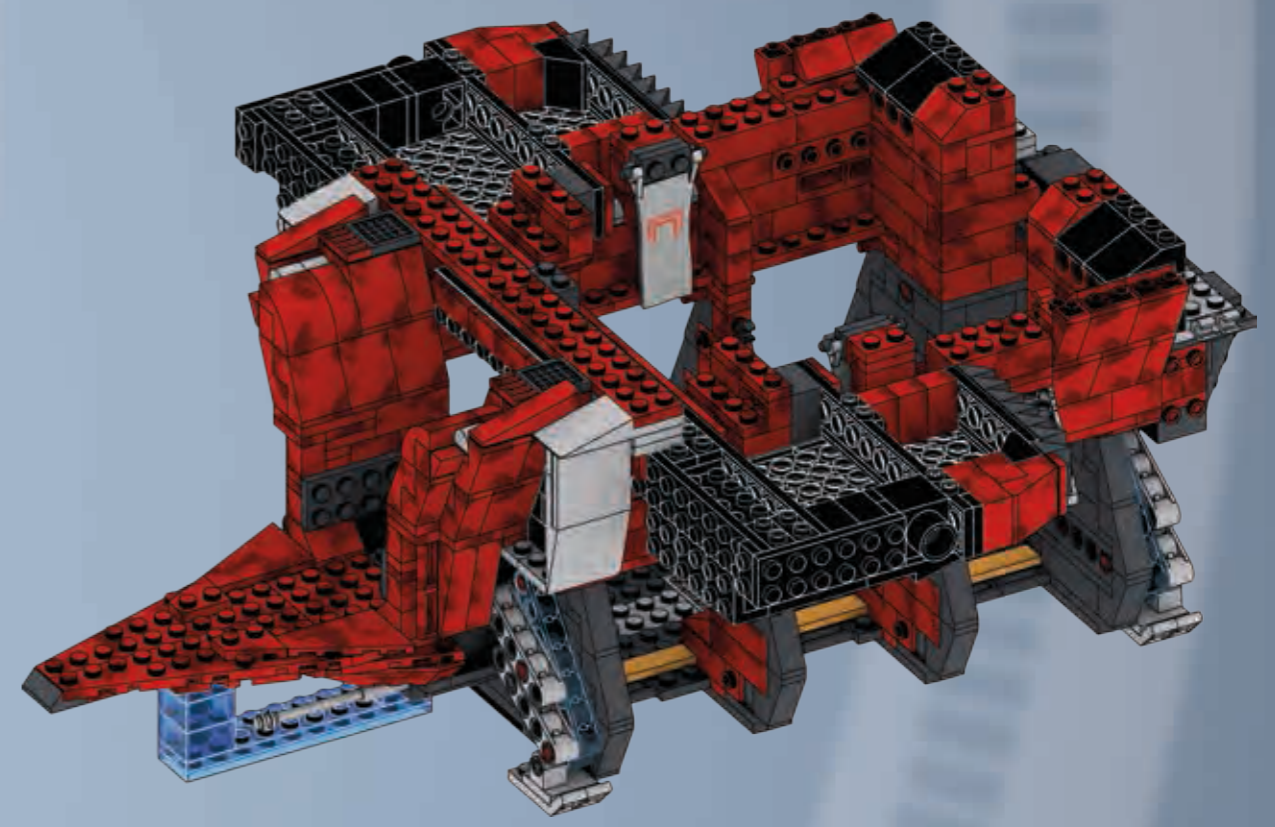


66



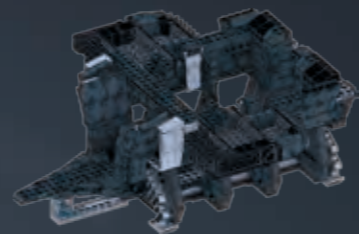
1

1

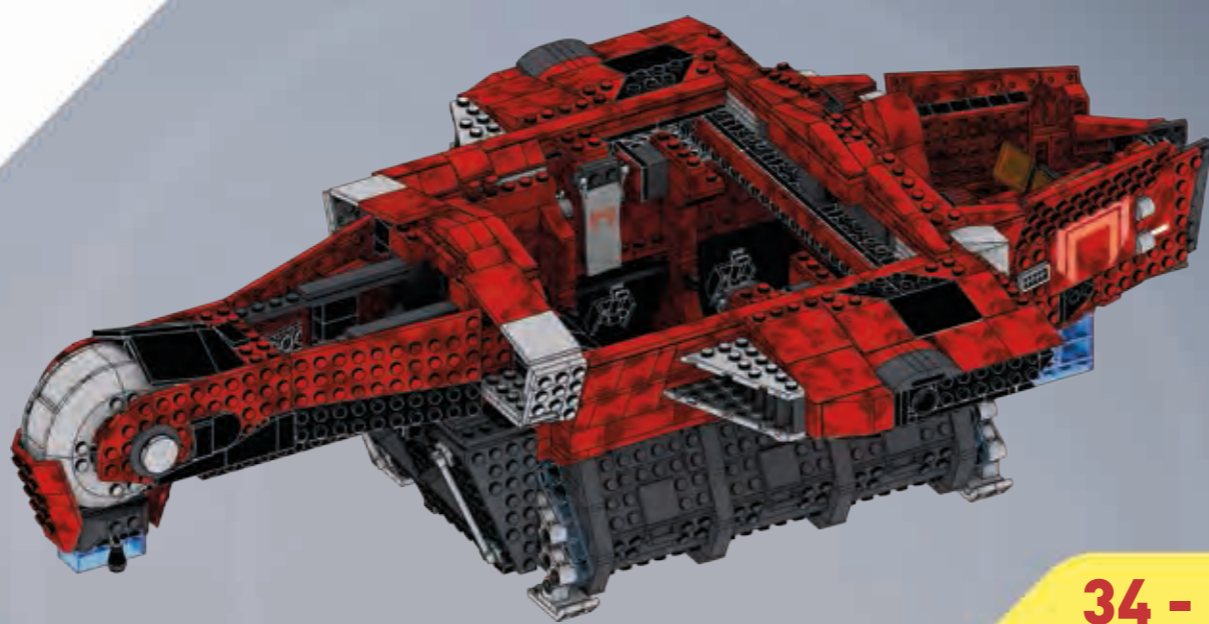


2





4 - 33



34 - 63



64-89

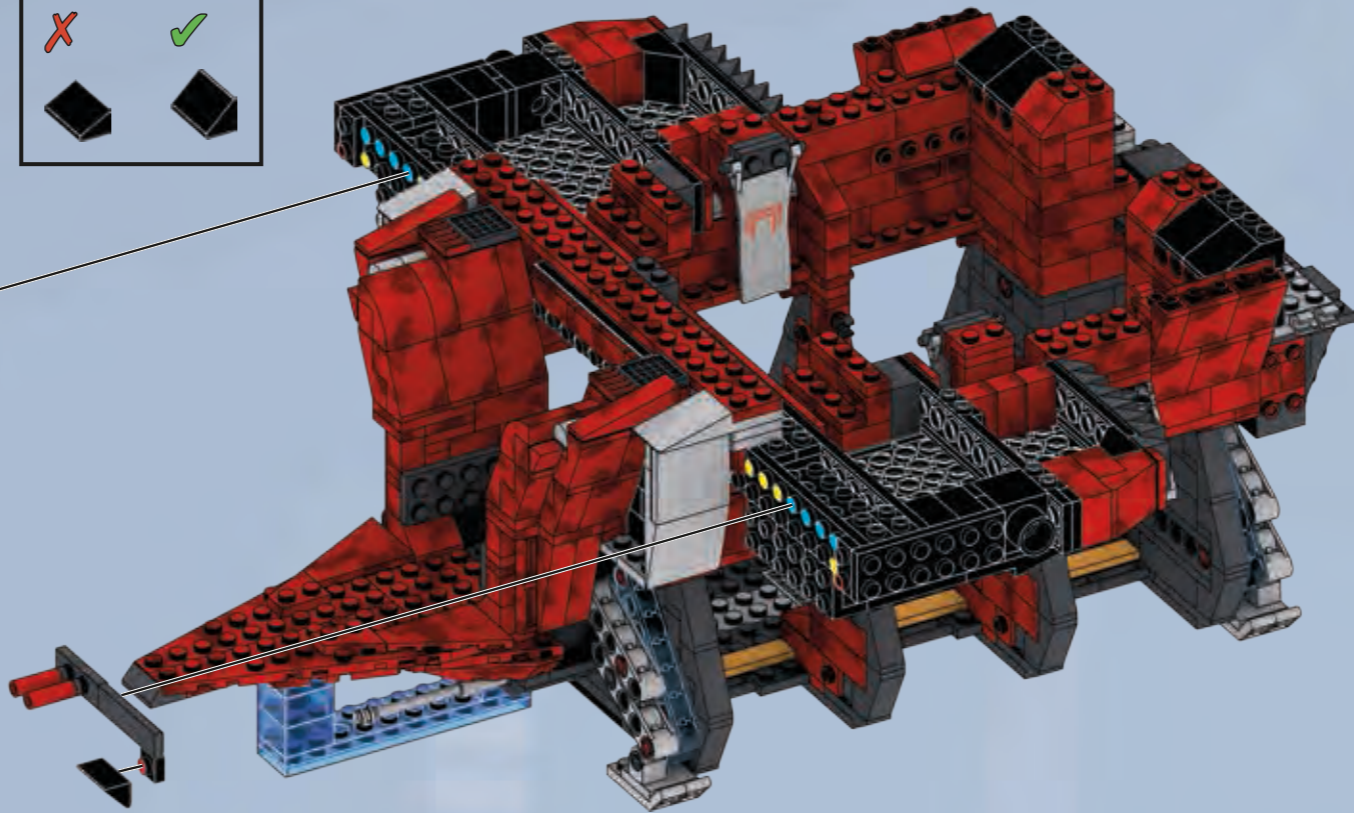


90 - 103

2

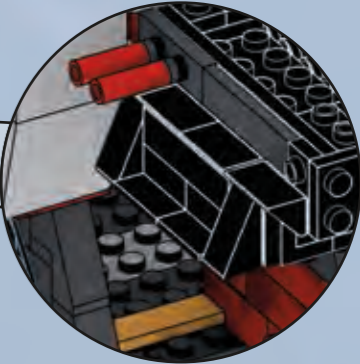
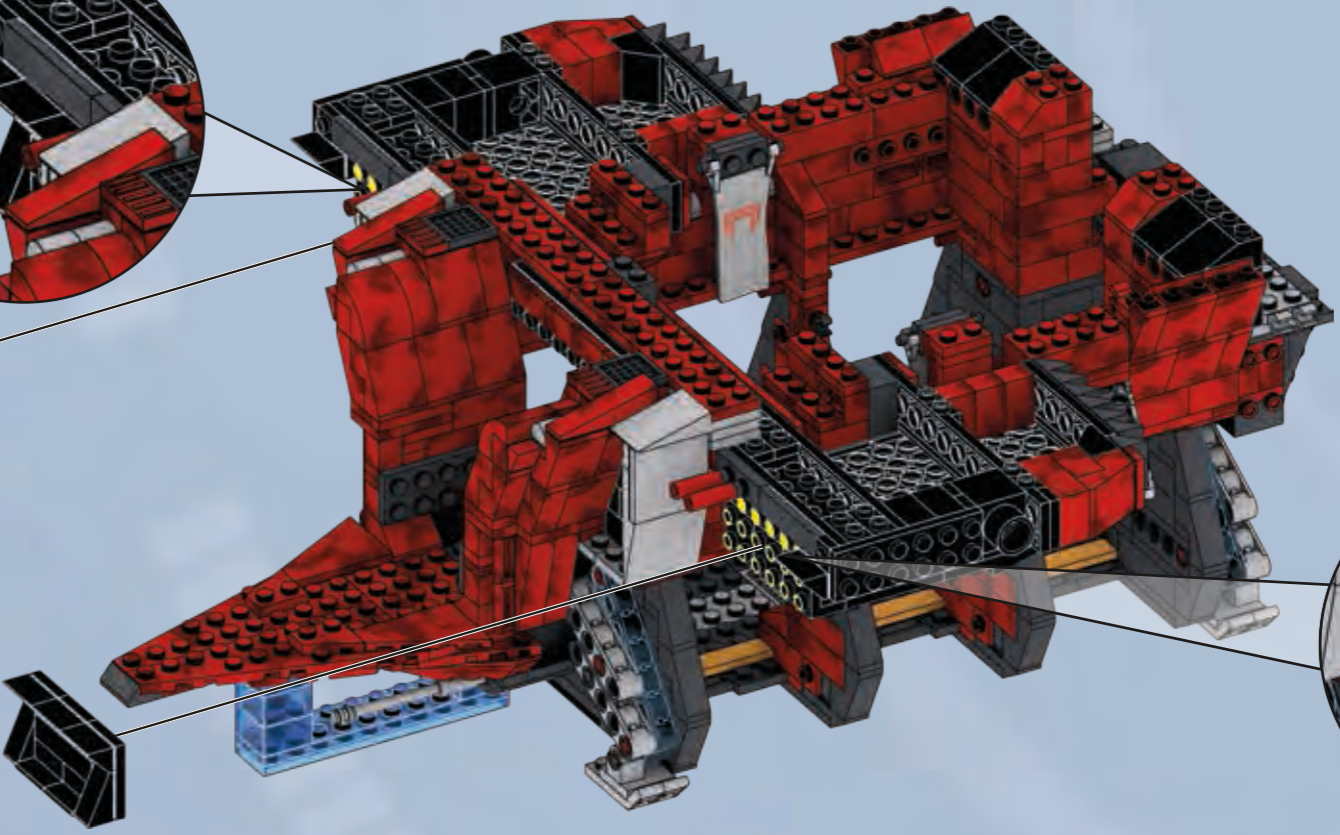
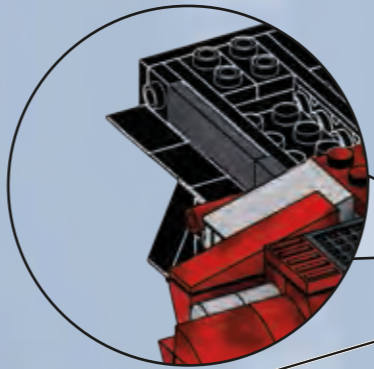
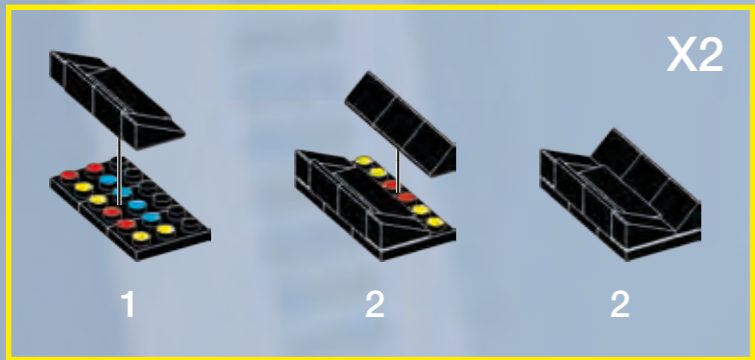
67

- 4x [Pin]
- 2x [Technic Brick 1x2 with Hole]
- 4x [Red Technic Pin]
- 2x [Technic Brick 1x2 with Hole]
- 2x [Technic Brick 1x2 with Hole]
- 2x [Technic Brick 1x2 with Hole]



68

- 2x [Technic Brick 1x2 with Hole]
- 4x [Technic Brick 1x2 with Hole]
- 6x [Technic Brick 1x2 with Hole]
- 6x [Technic Brick 1x2 with Hole]
- 4x [Technic Brick 1x2 with Hole]



69

1x 1x 1x 1x 1x

1x 2x 1x

70

1x

1x

71

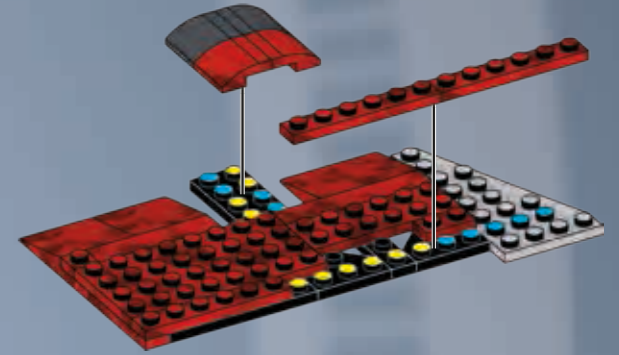
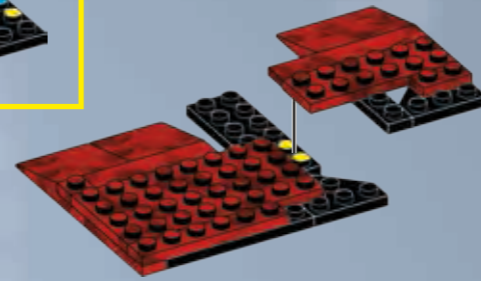
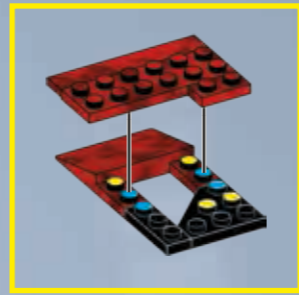
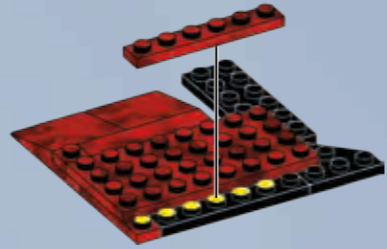
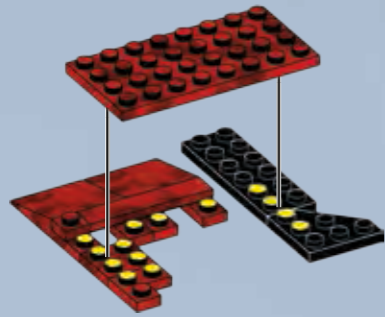
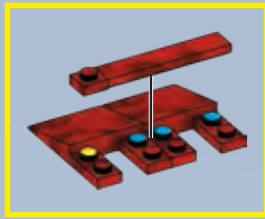
1x 1x 1x

1x 1x 1x

72

2x 2x

2x 1x



73

1x 1x

1x 1x 1x

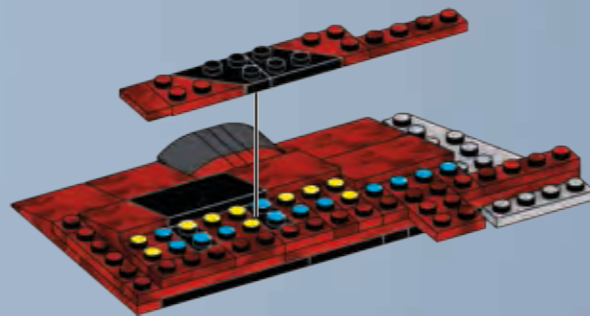
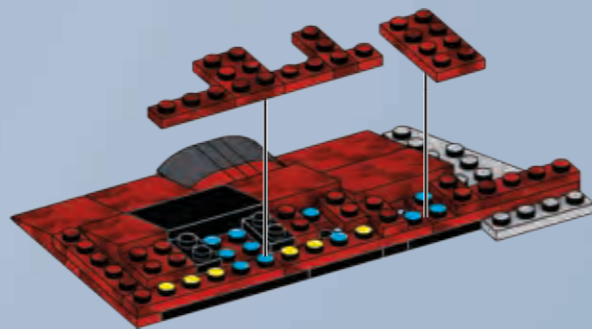
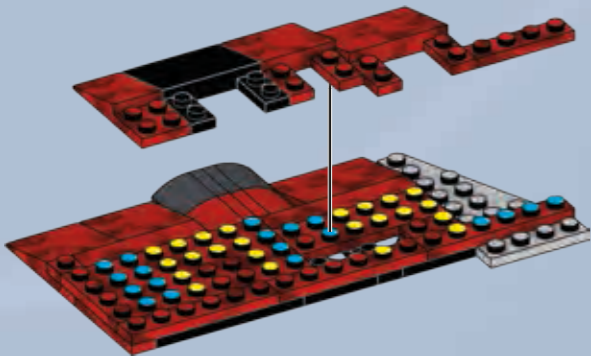
74

1x 1x 2x

1x 1x

75

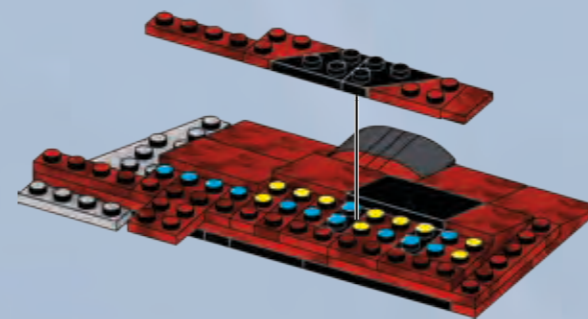
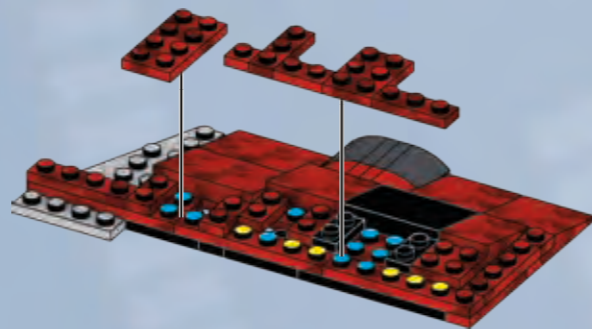
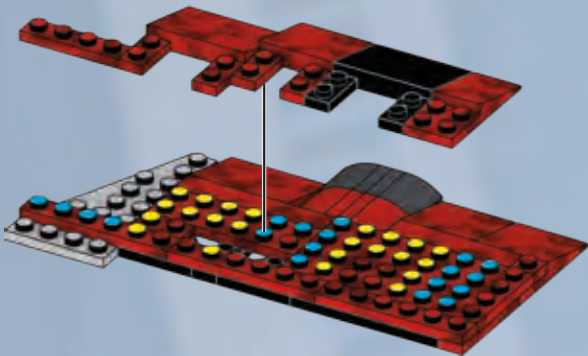
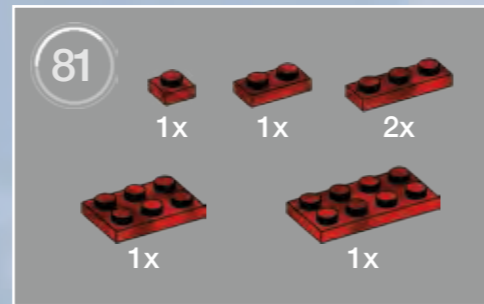
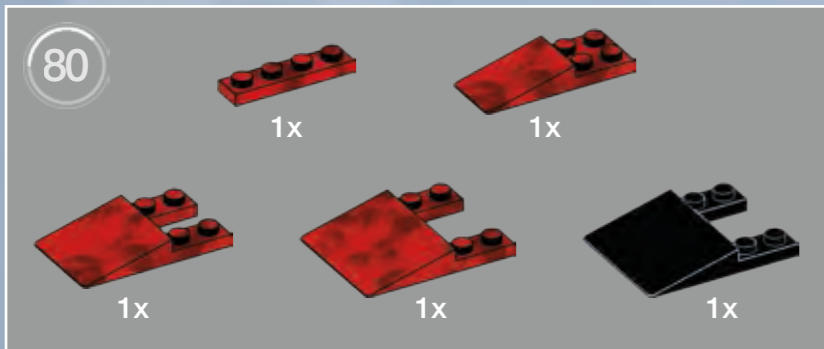
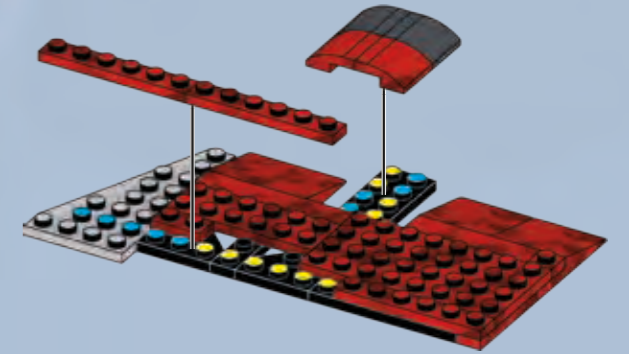
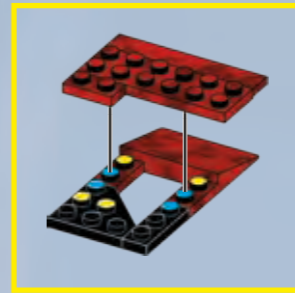
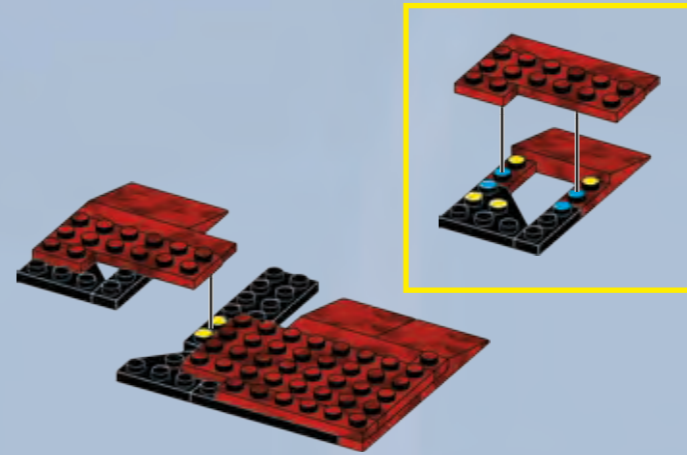
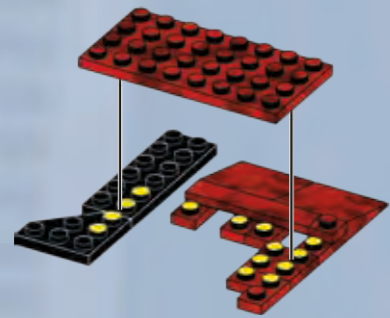
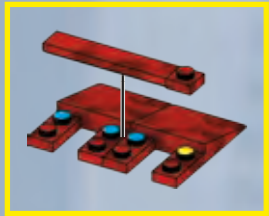
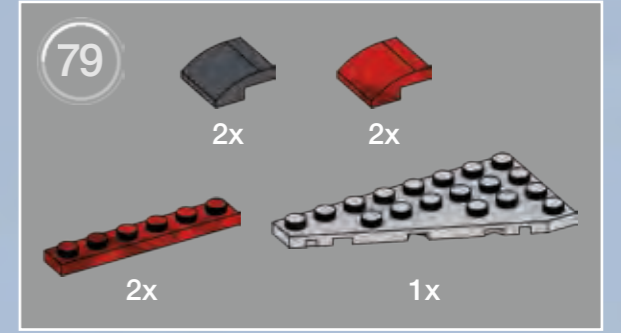
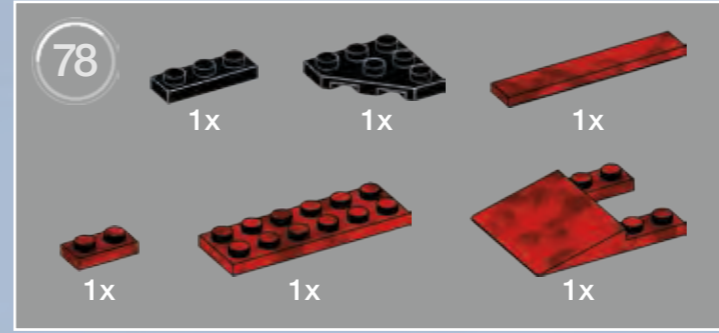
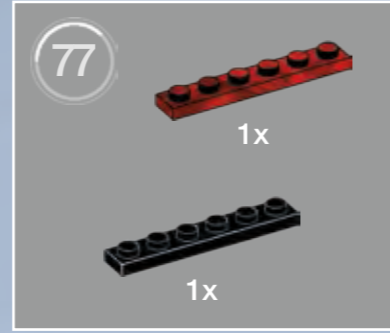
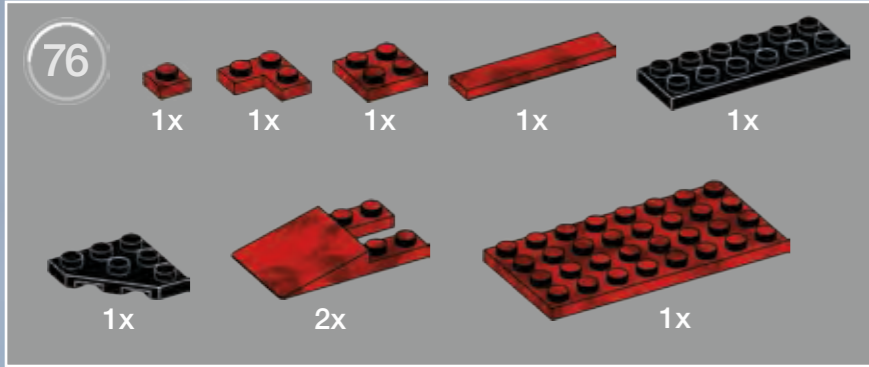
1x 1x 2x 2x



1



2

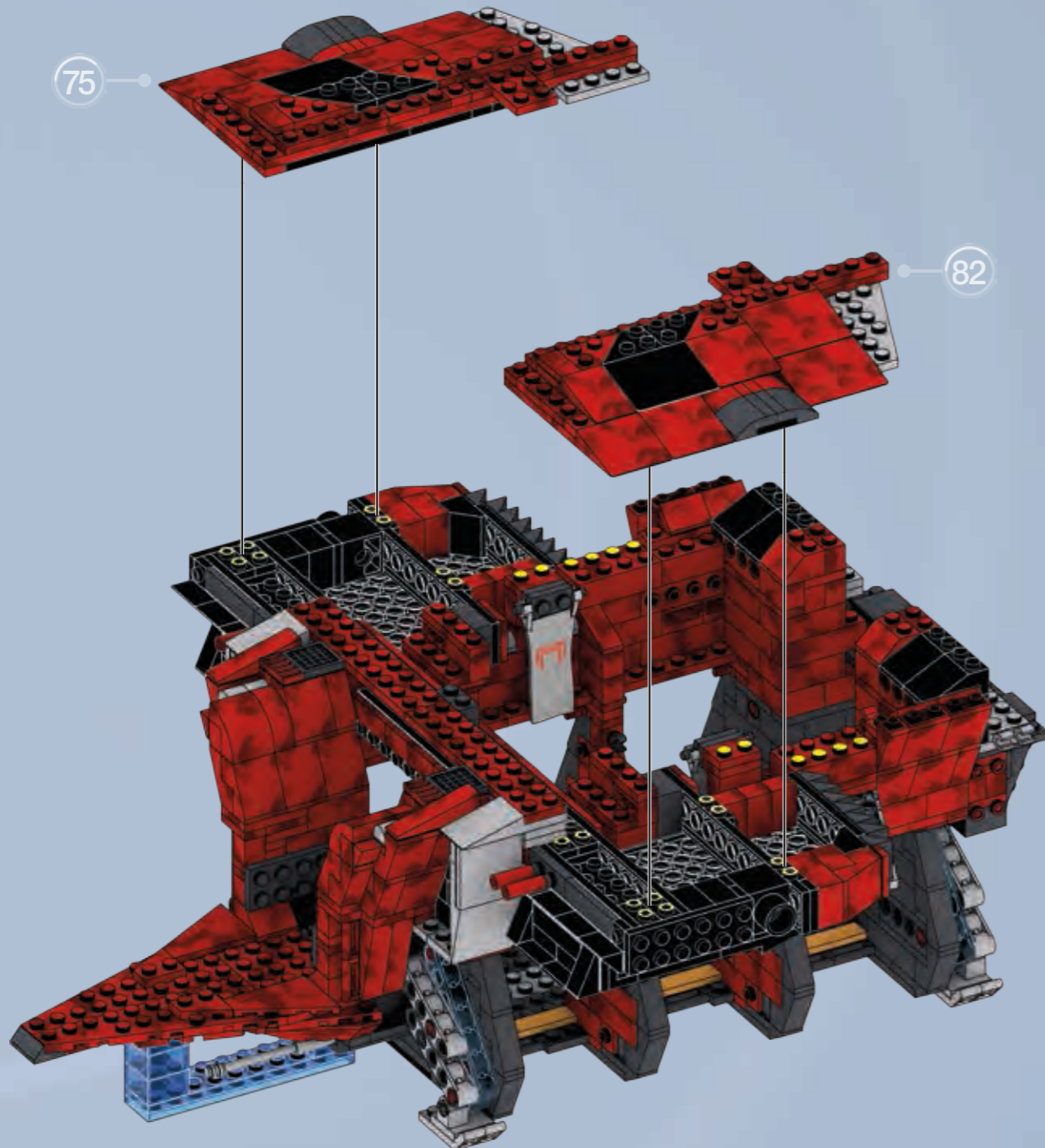


1



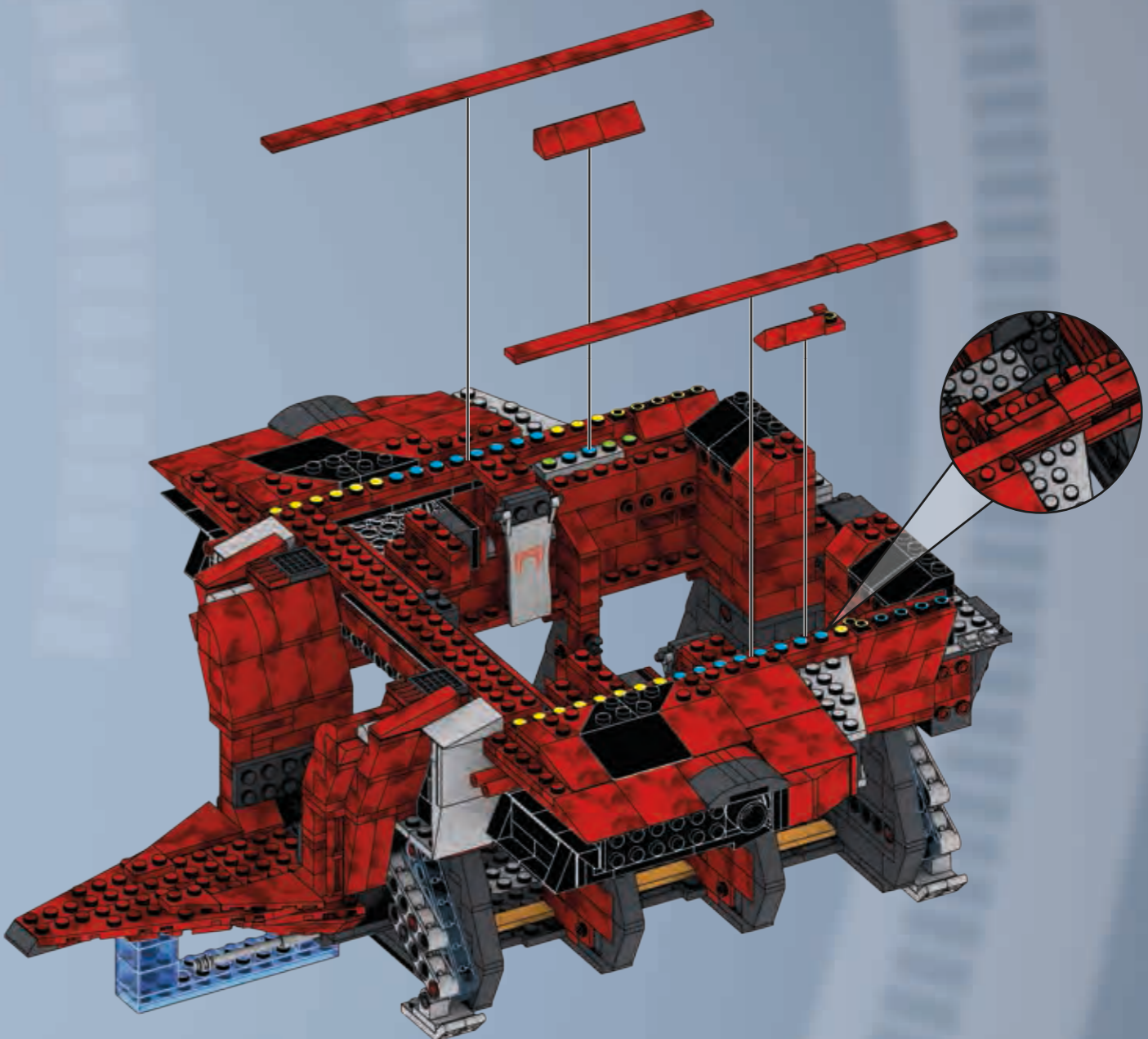
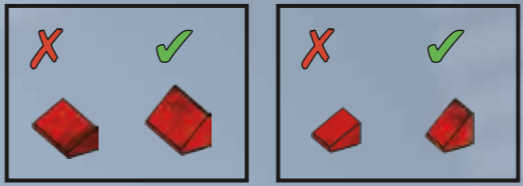
2

83

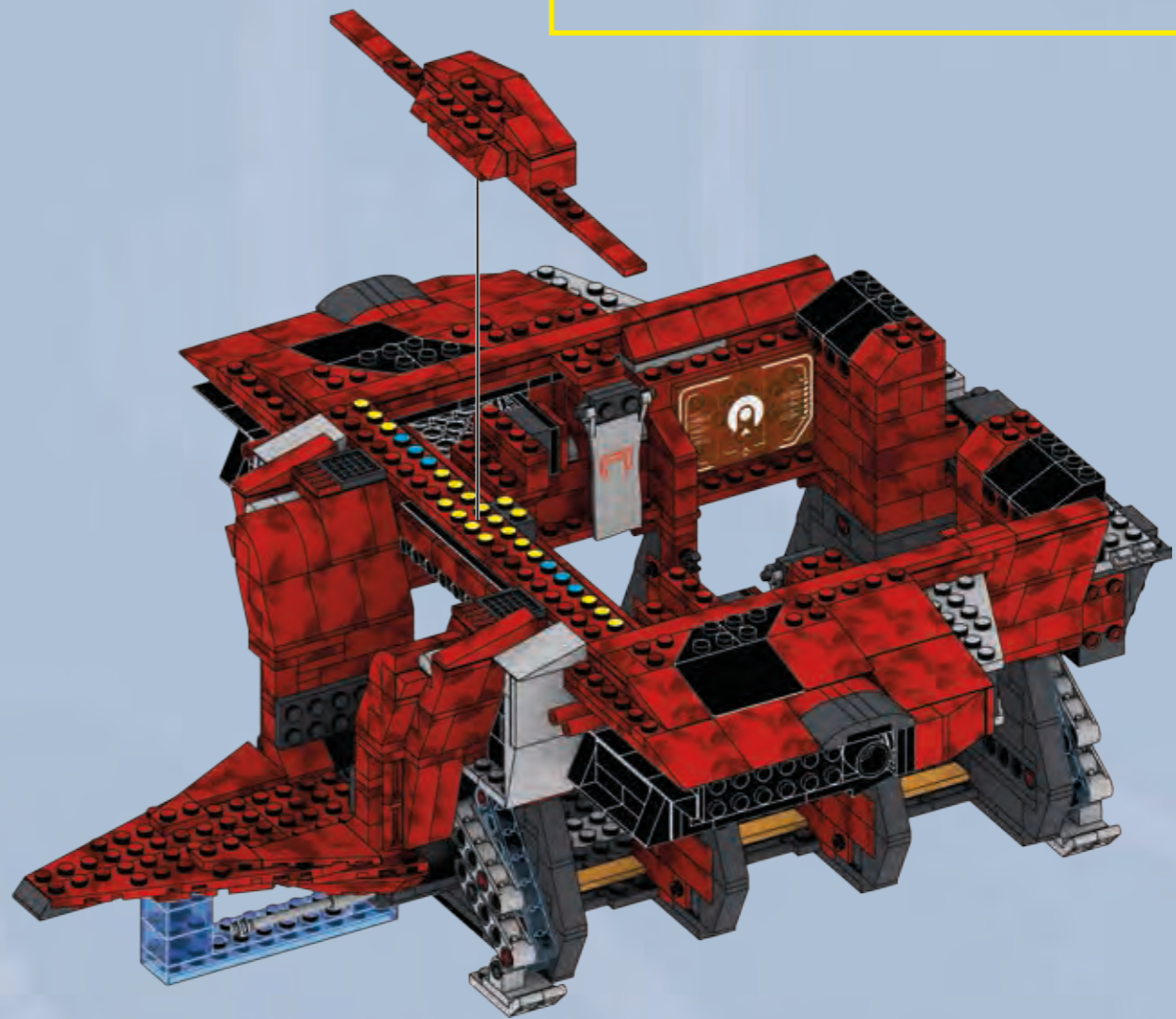
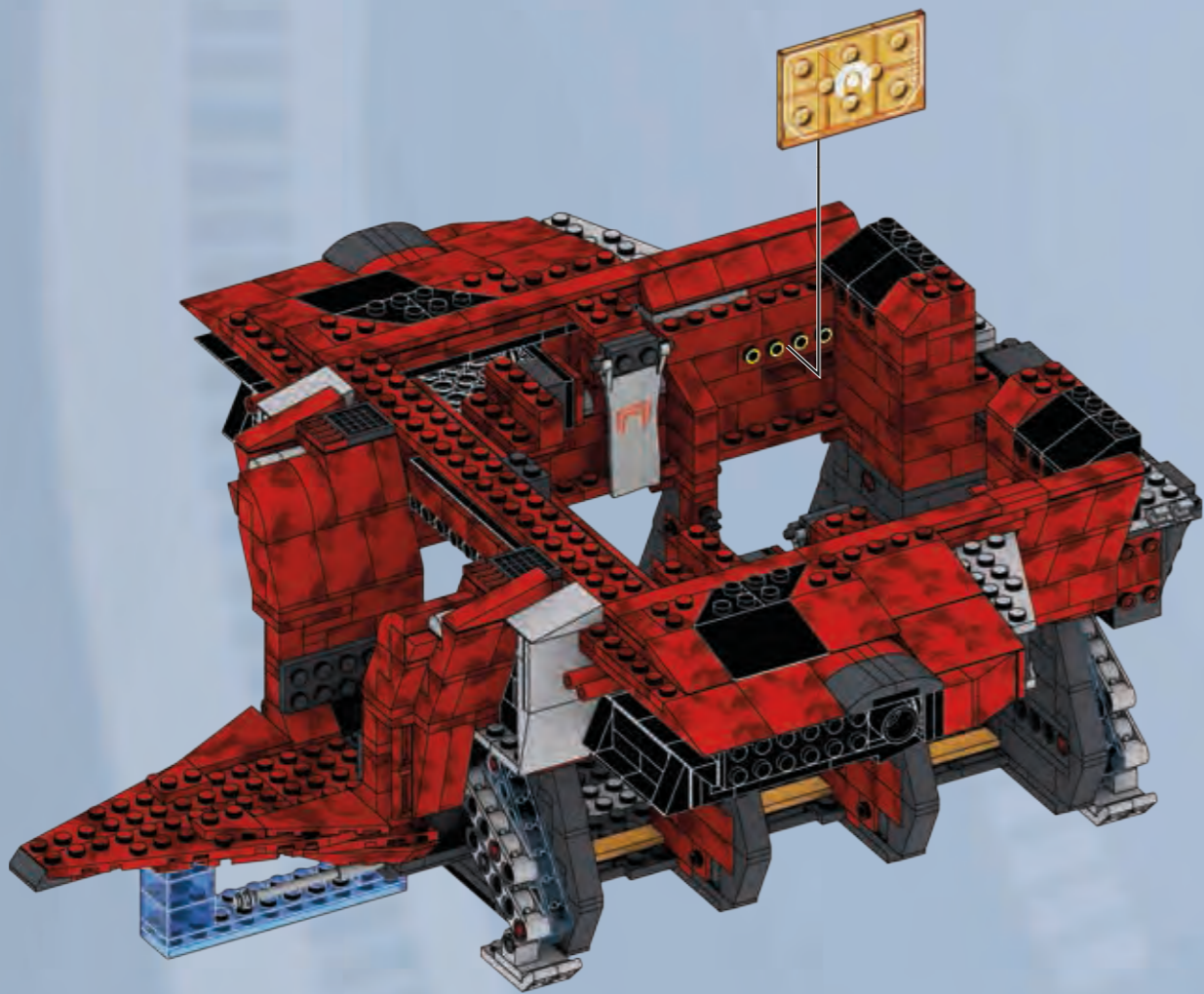
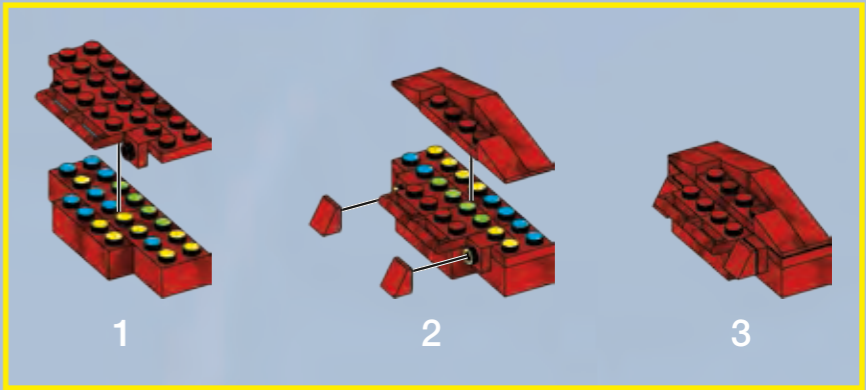
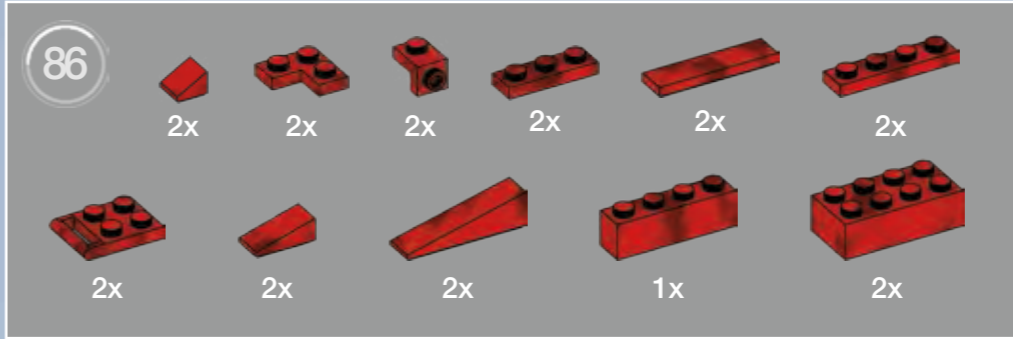


84

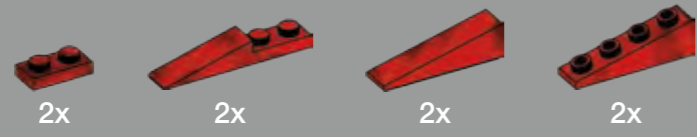
1x	2x	3x	1x	1x	1x	4x



2



87



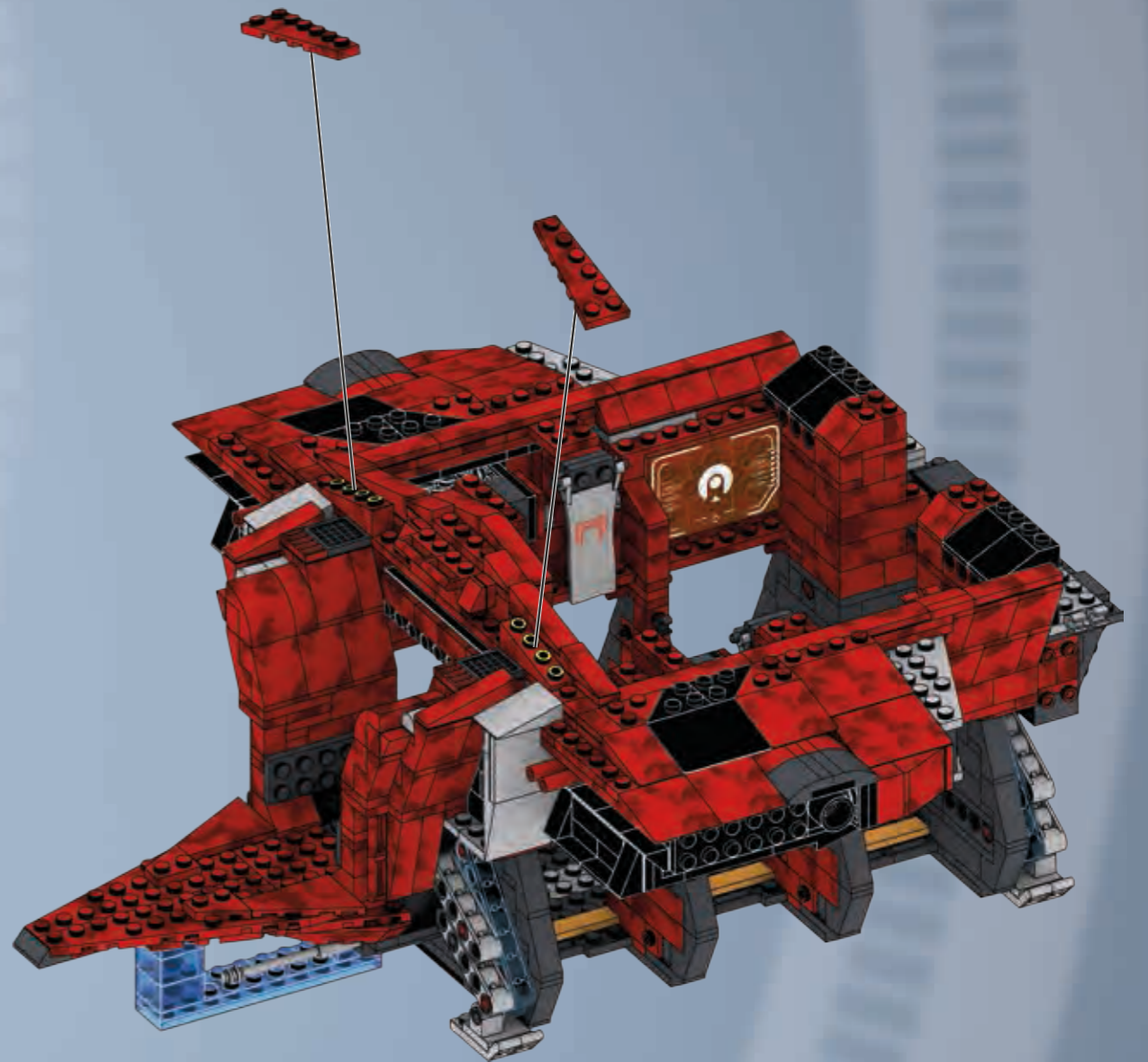
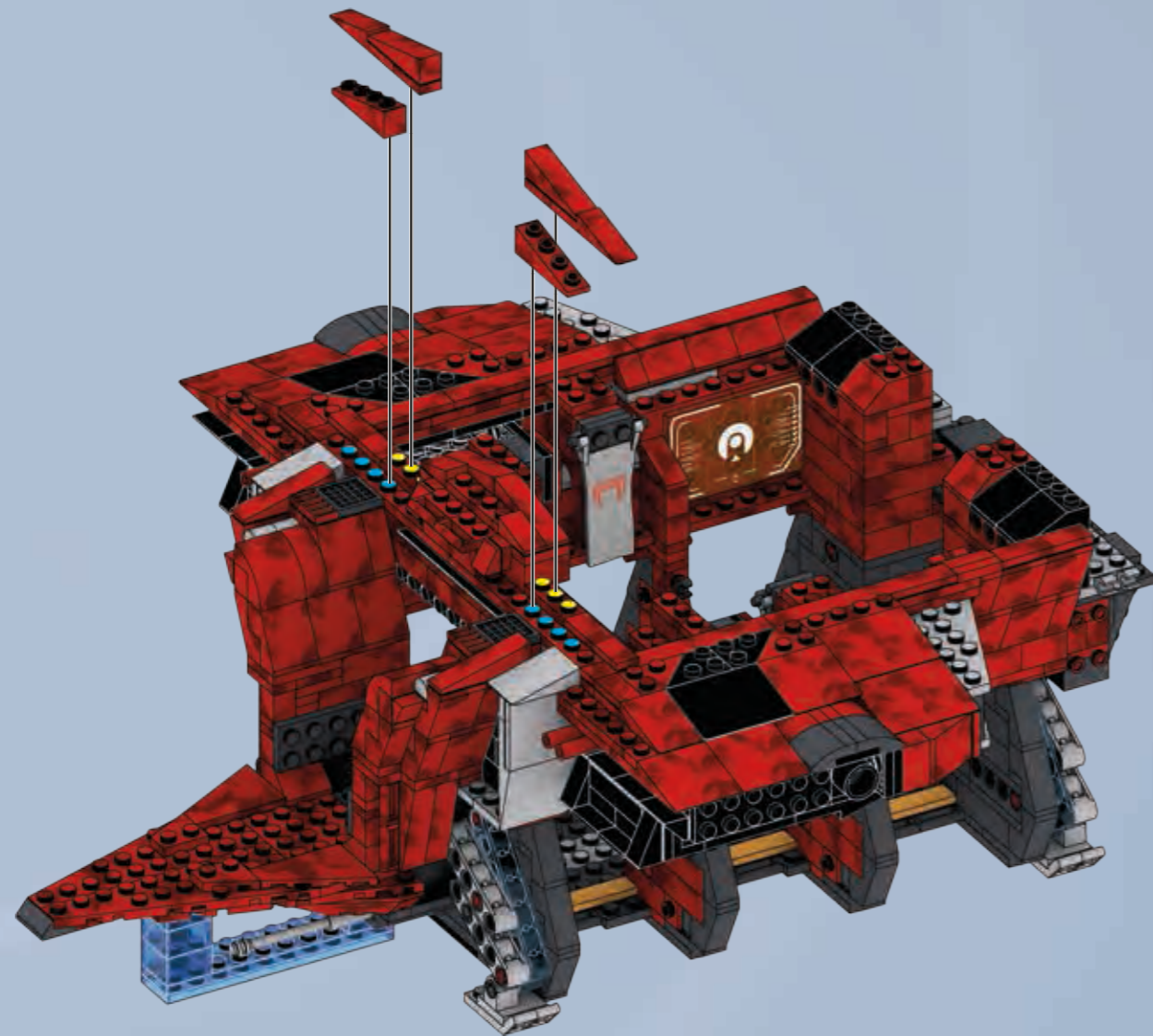
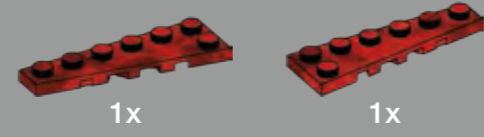
X2

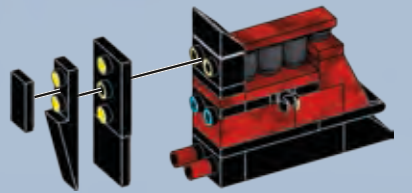
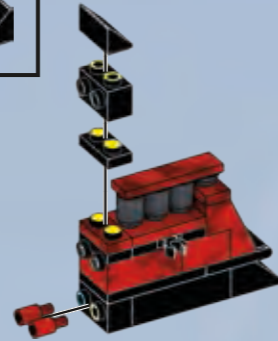
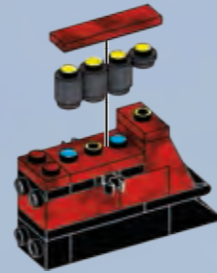
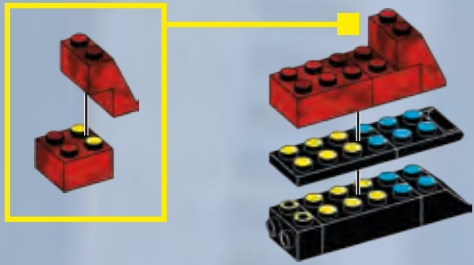
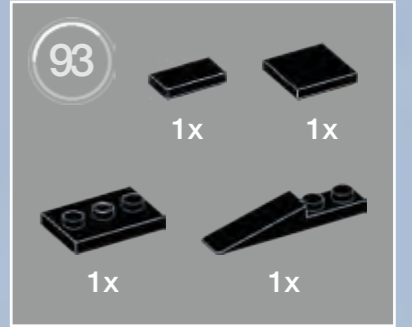
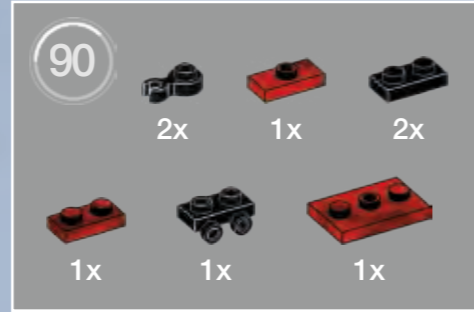
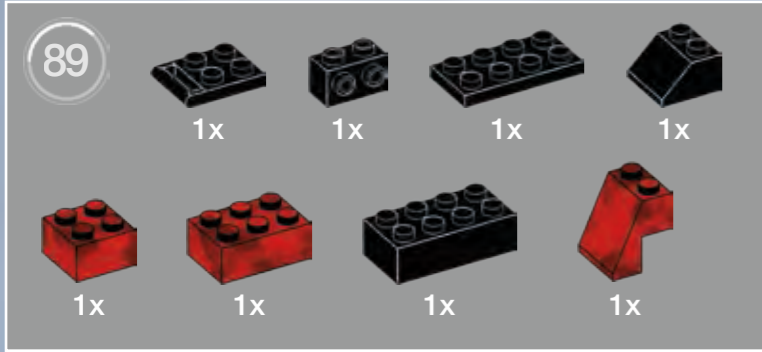


1

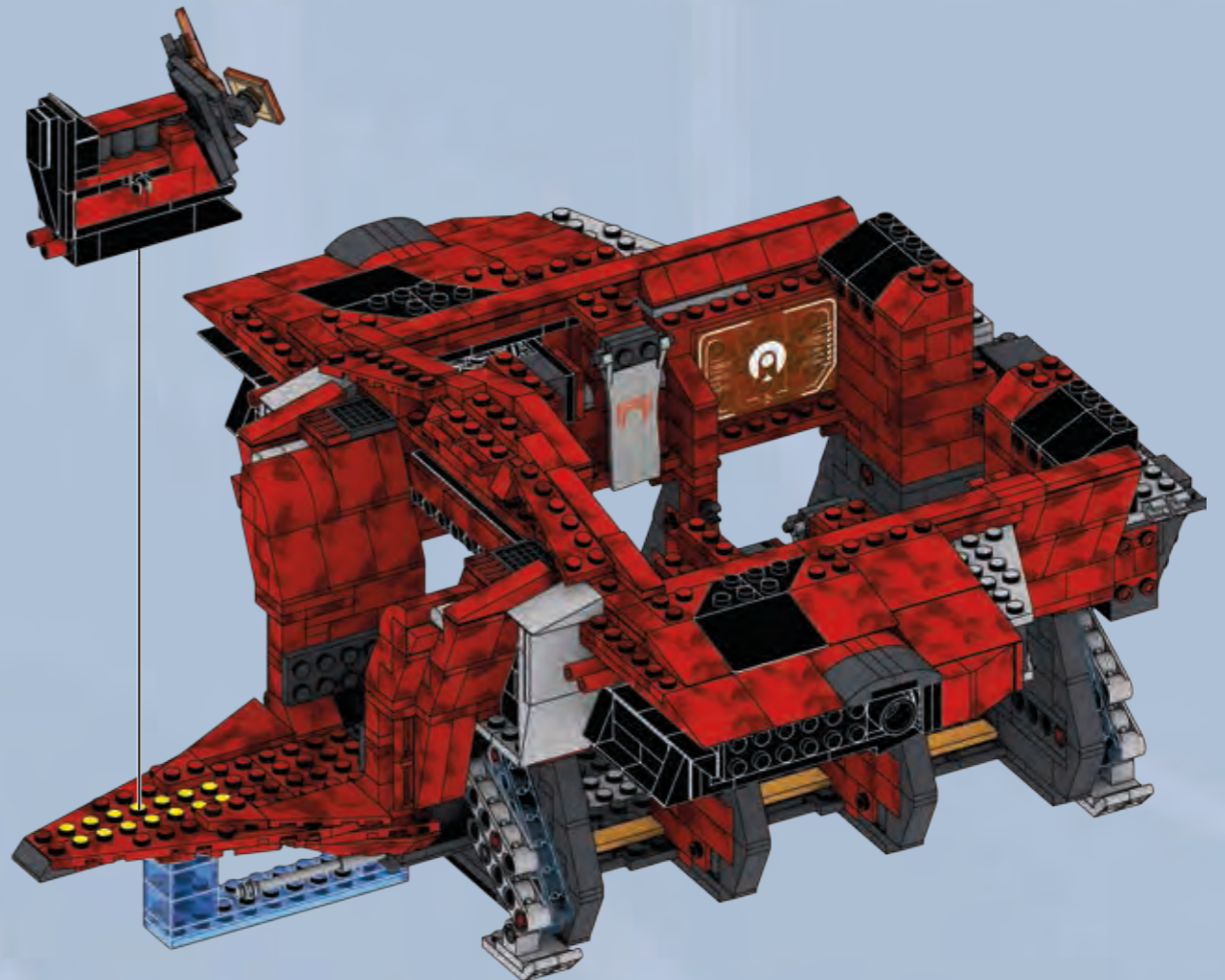
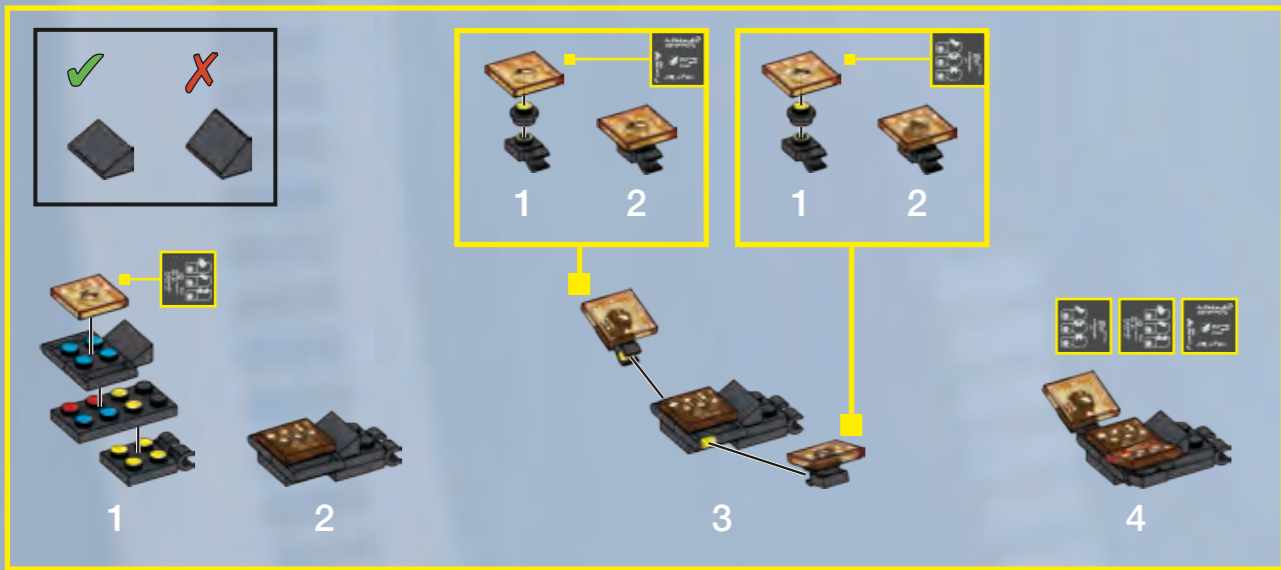
2

88



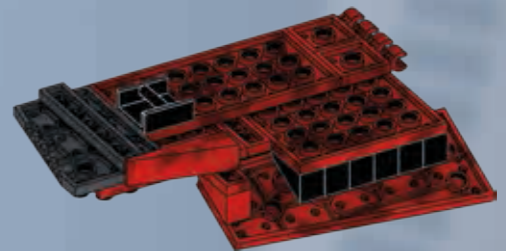
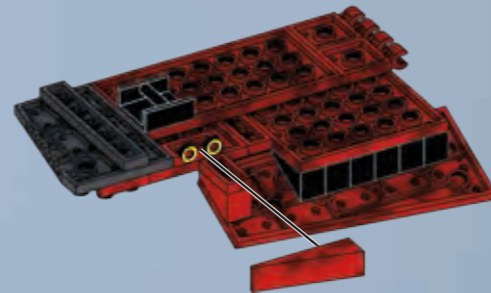
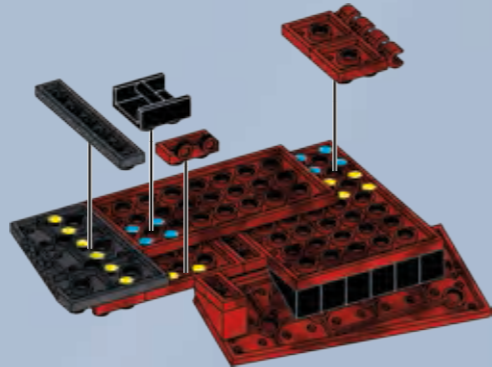
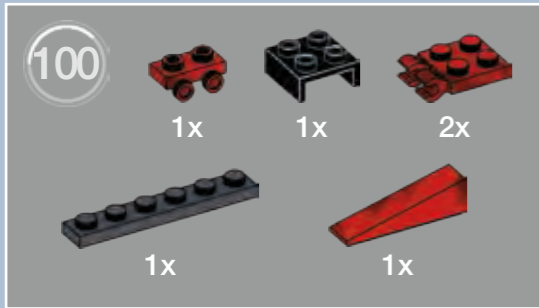
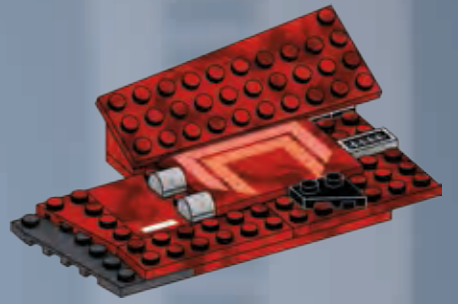
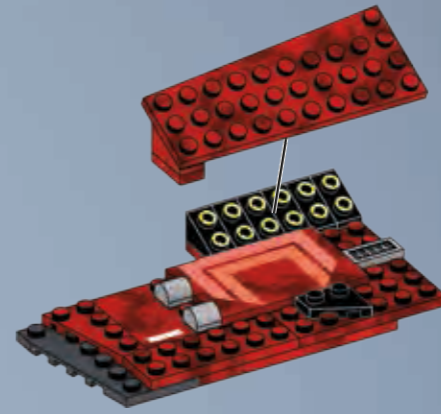
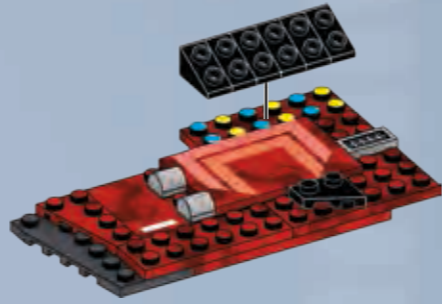
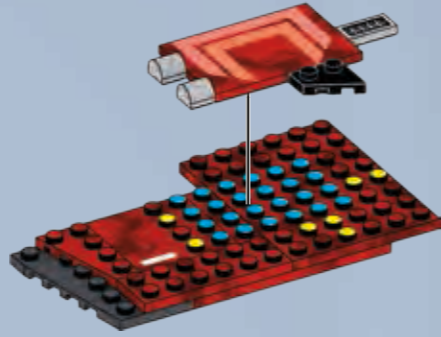
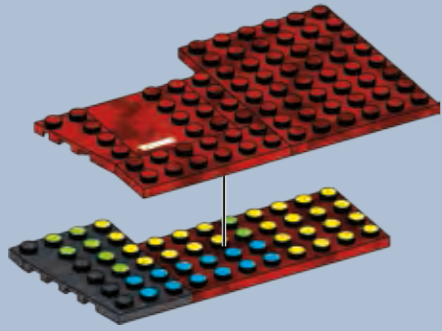
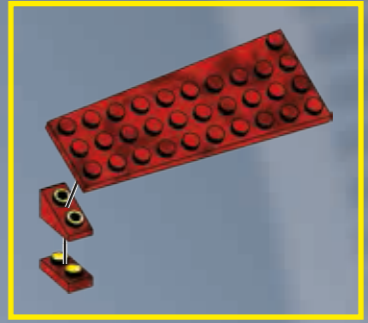
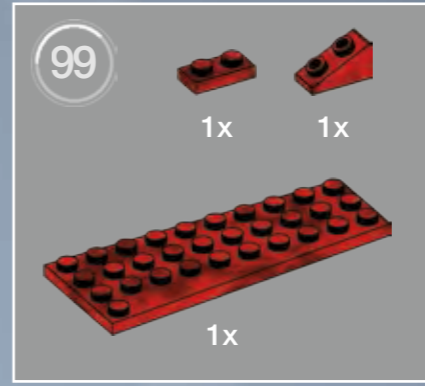
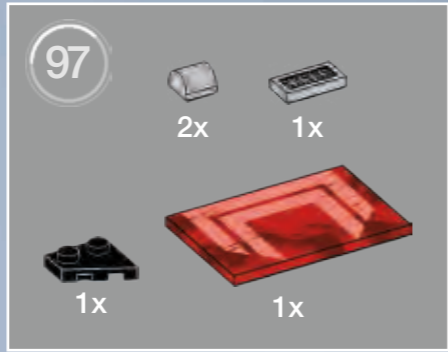
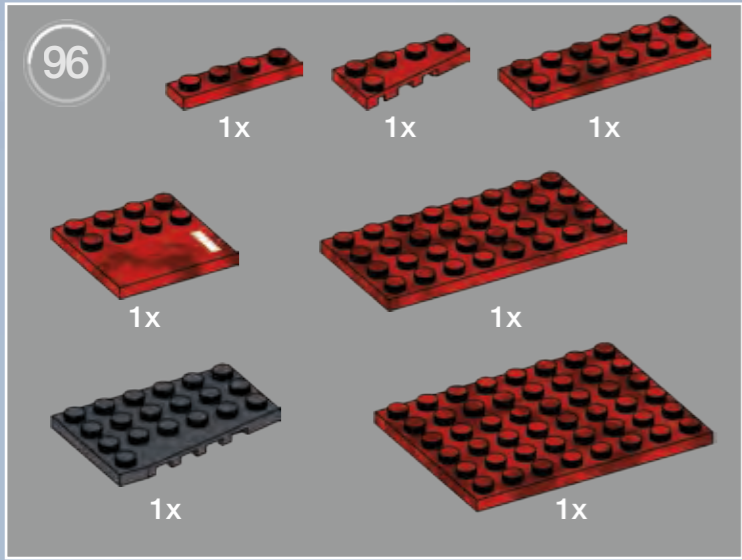


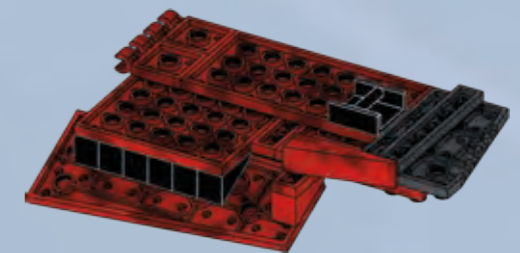
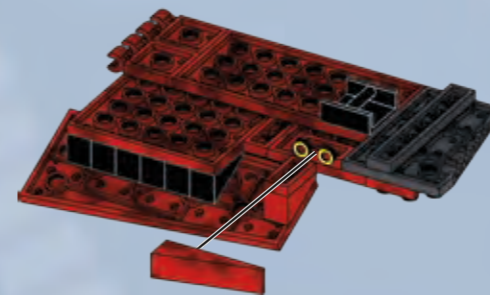
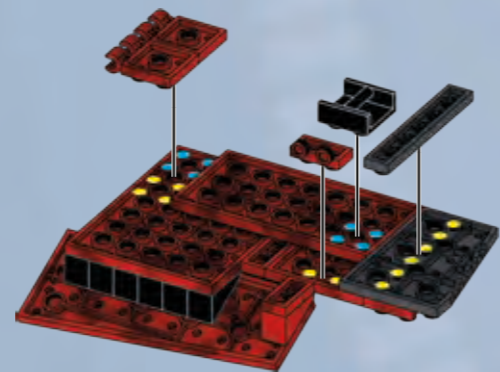
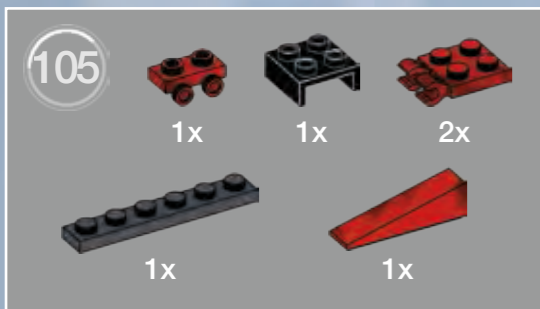
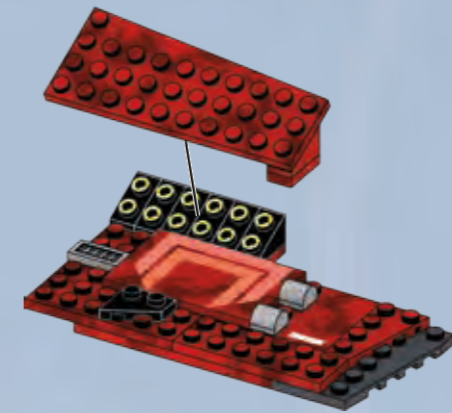
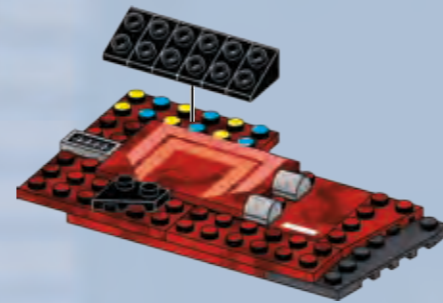
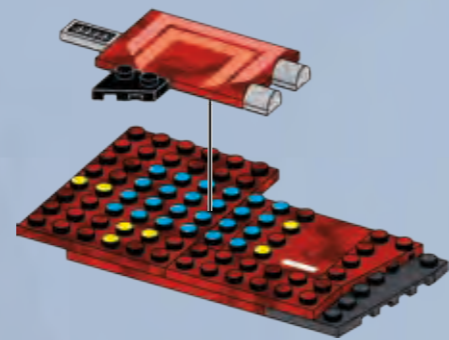
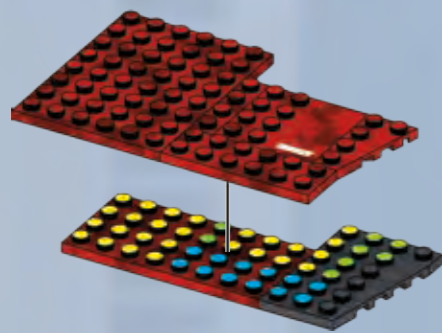
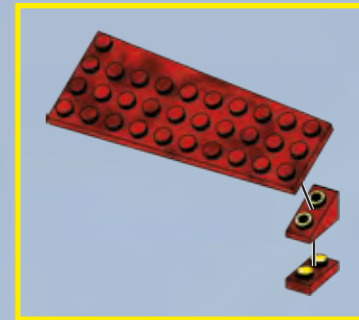
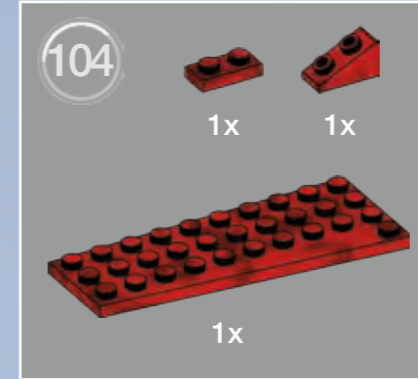
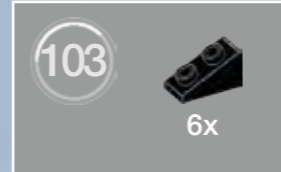
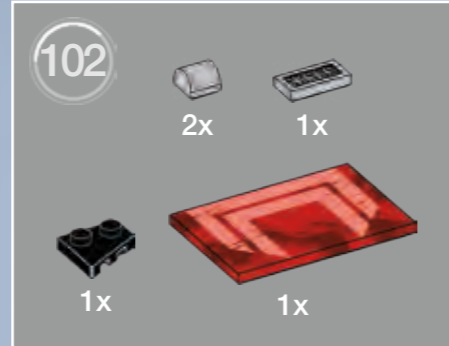
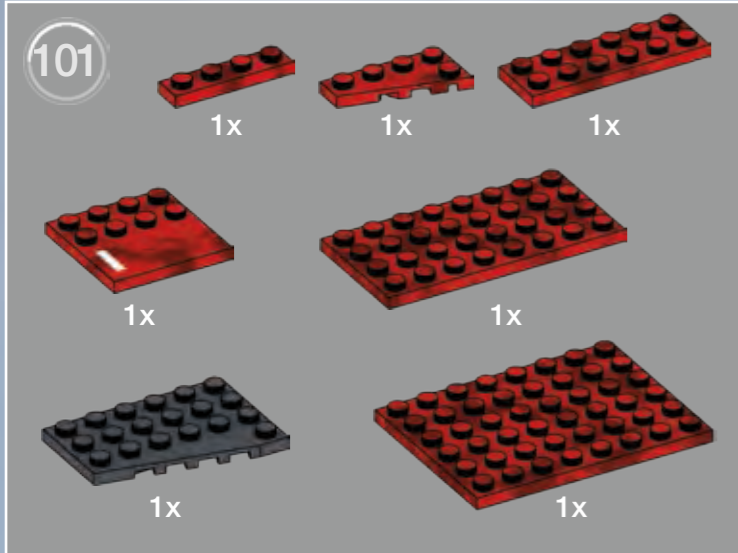
95



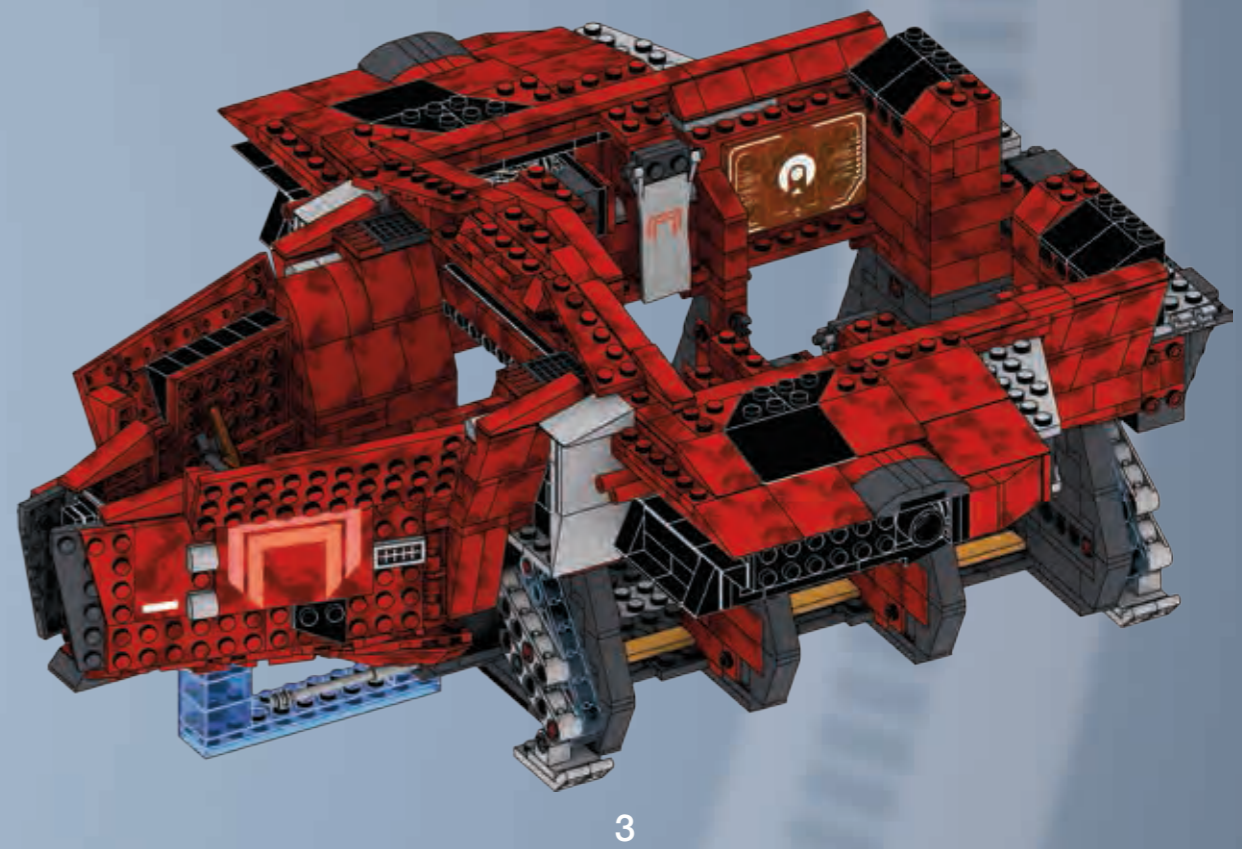
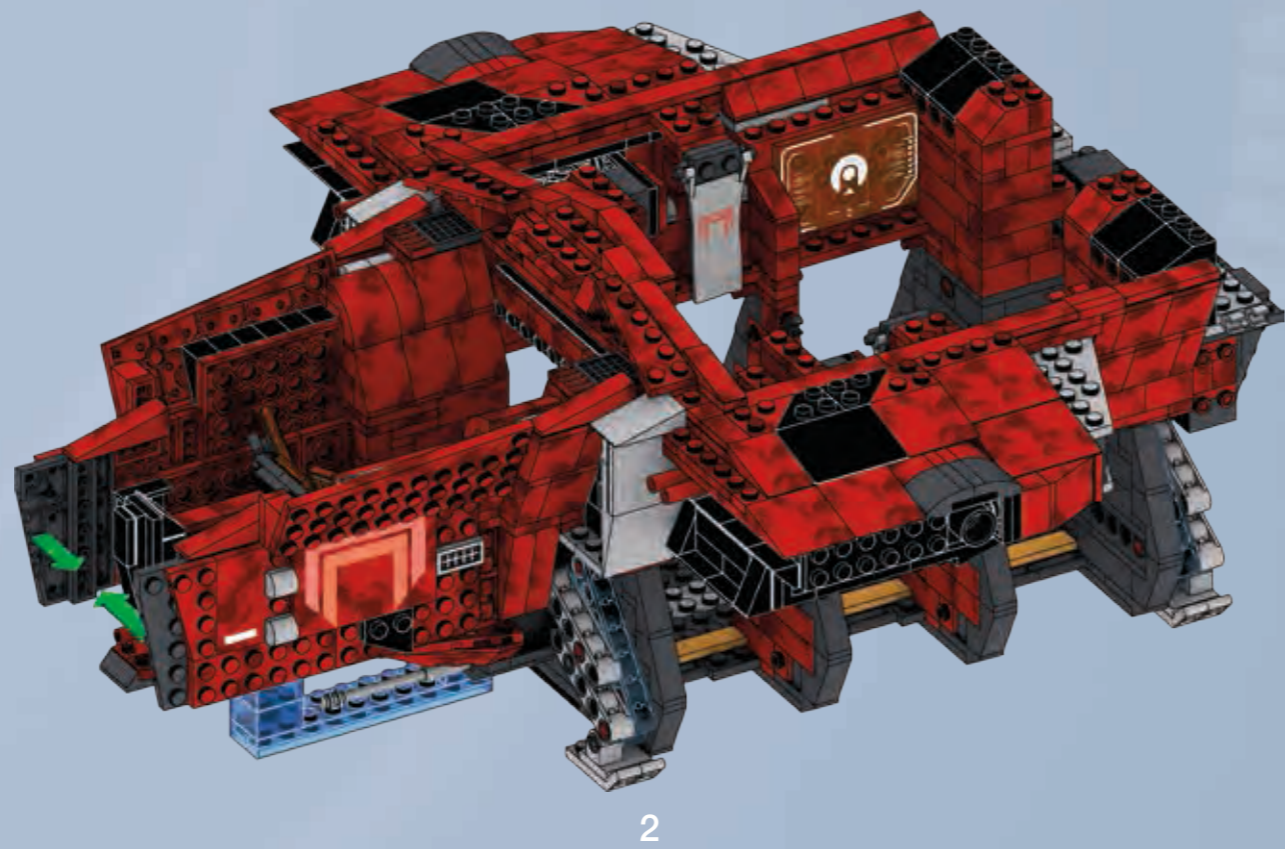
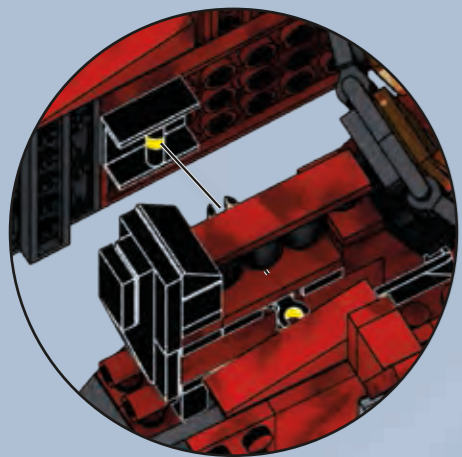
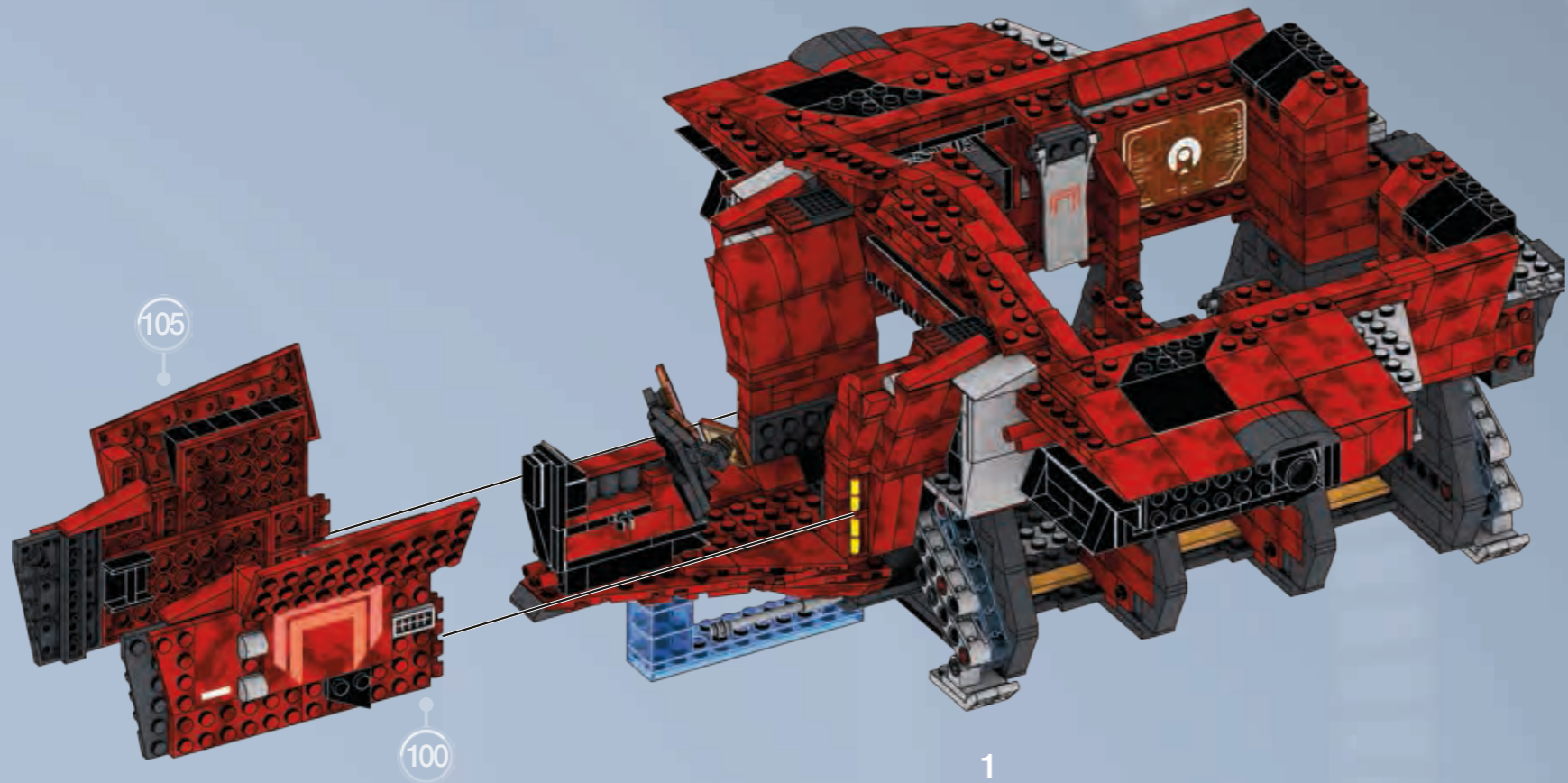
1

2





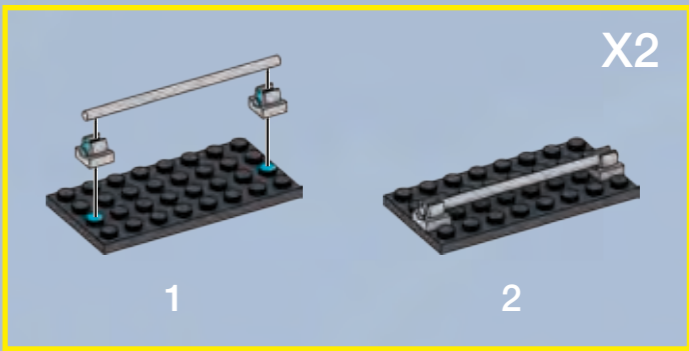
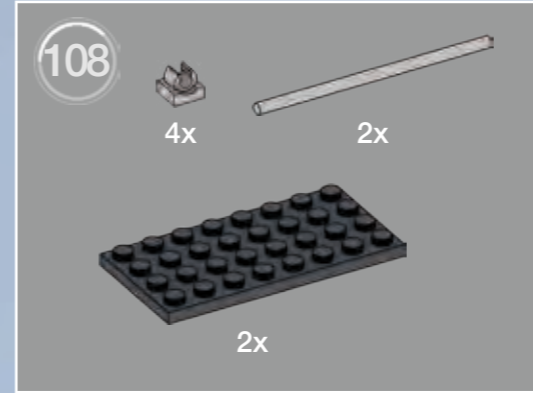
106



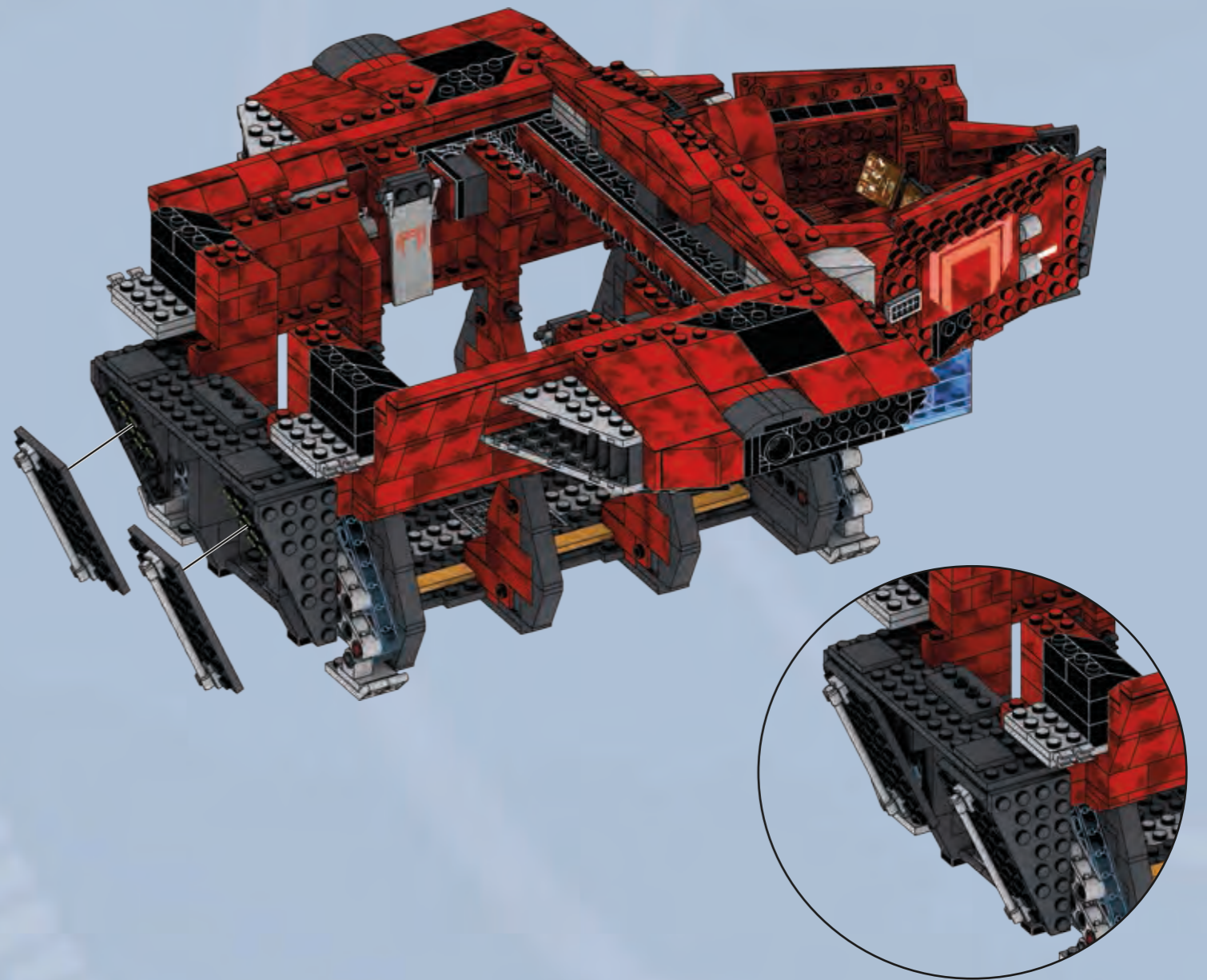
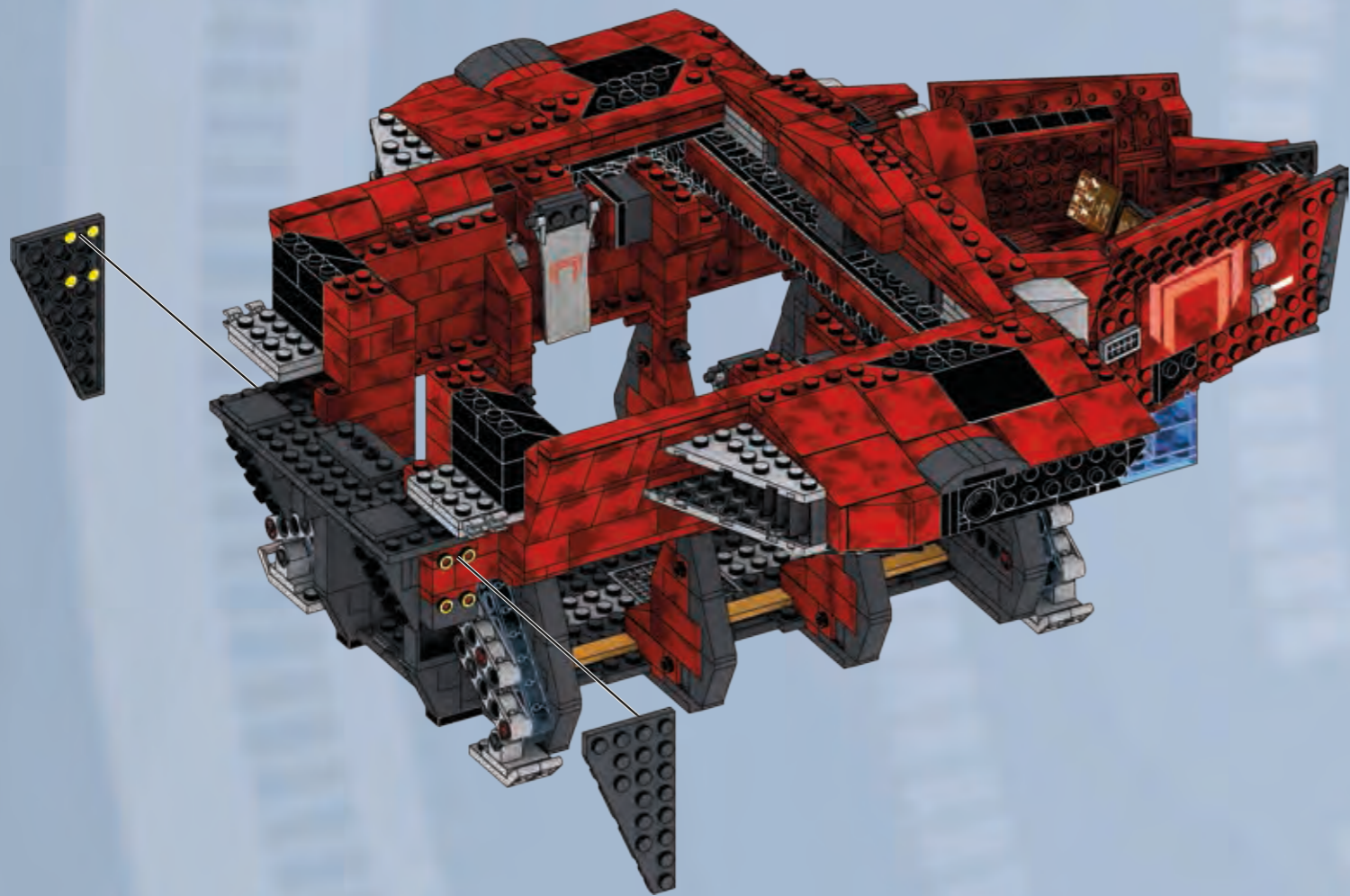
2







2



109

4x 2x

2x 1x

110

2x

4x 1x

111

4x

2x 1x

112

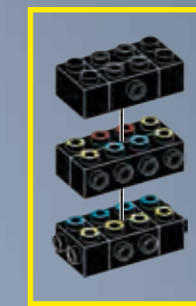
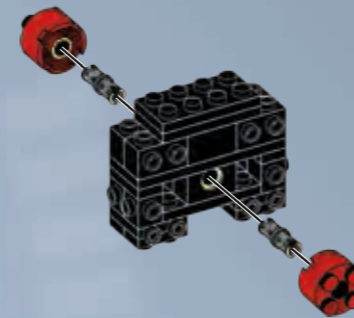
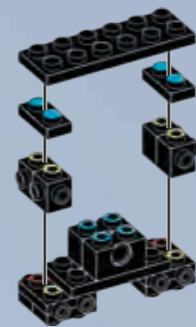
2x 2x

113

4x 2x 2x 4x 2x 2x

X2

1 2



114

2x

2x 2x

115

4x 2x 2x

116

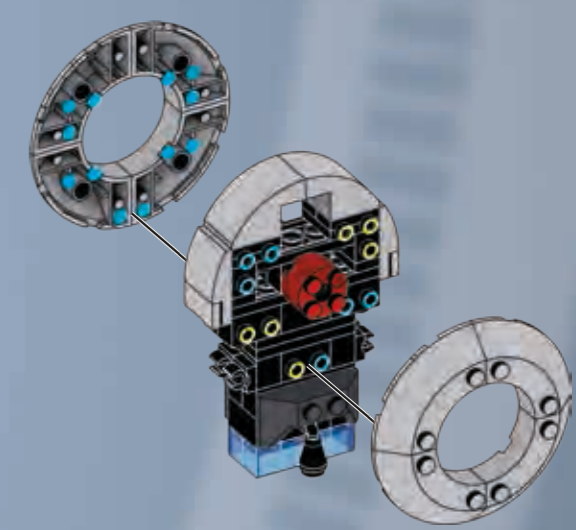
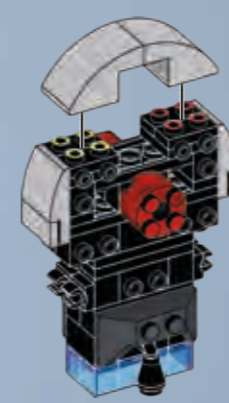
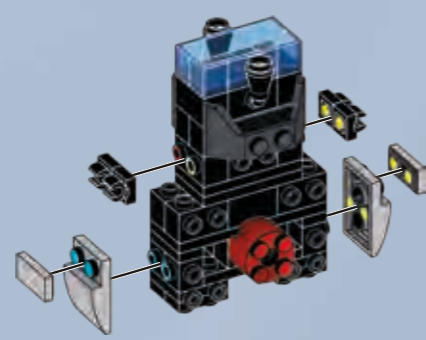
2x

117

8x

X2

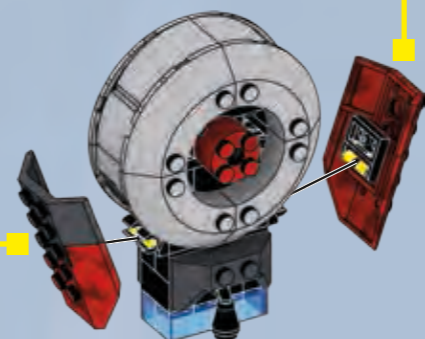
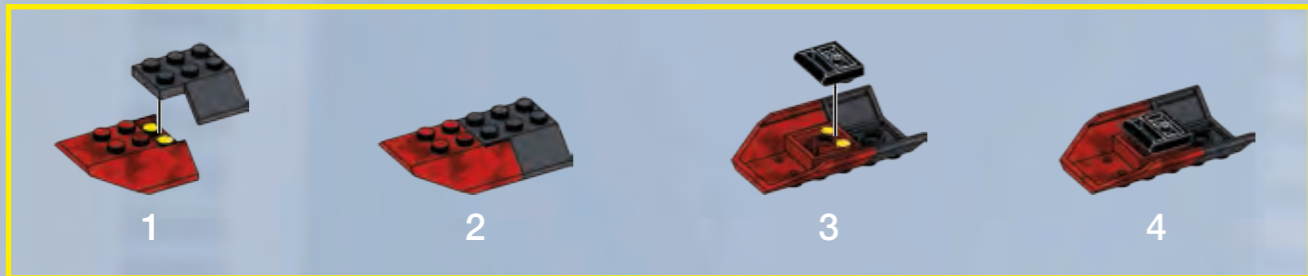
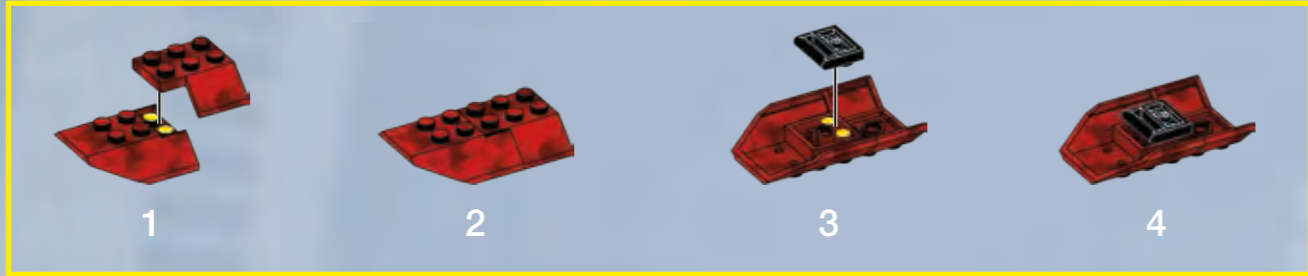
1 2



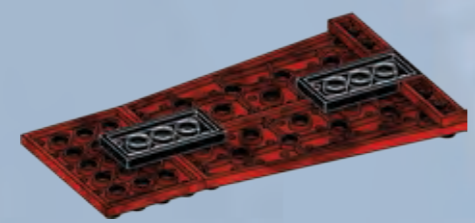
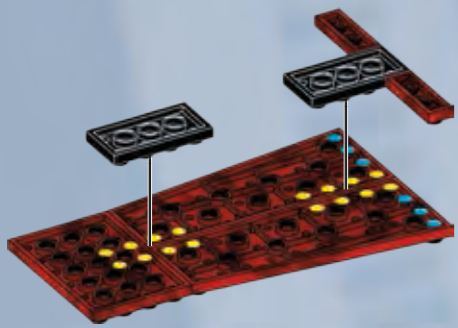
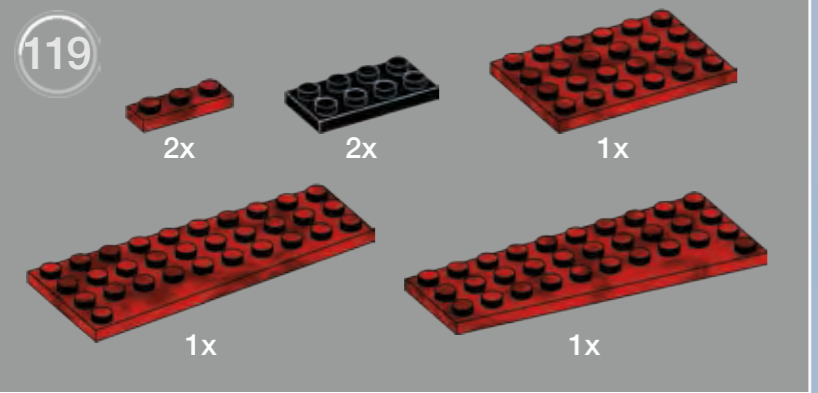
1

2

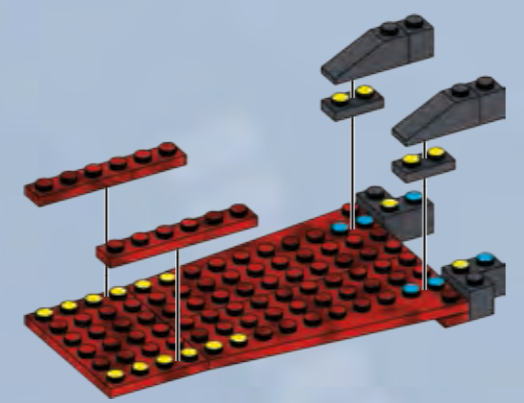
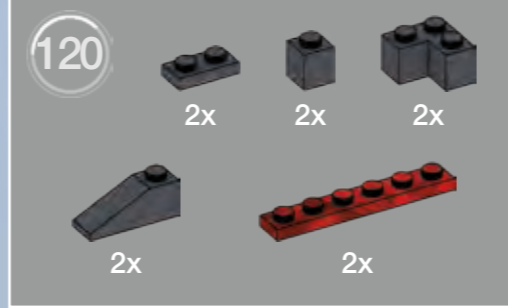
118



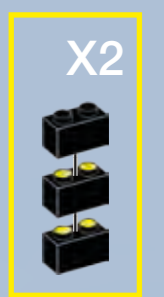
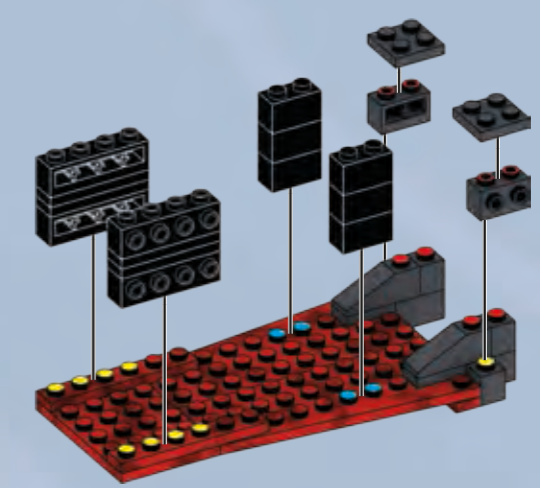
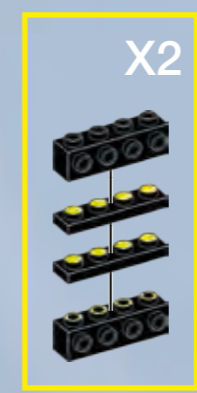
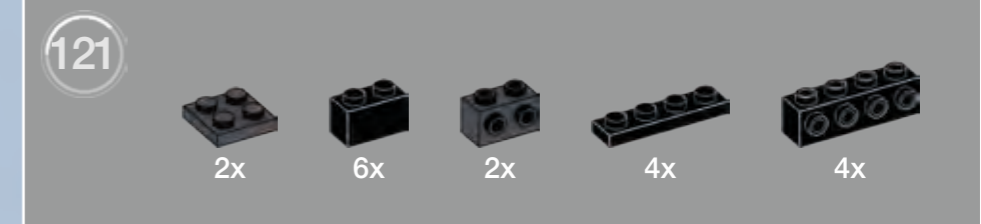
119



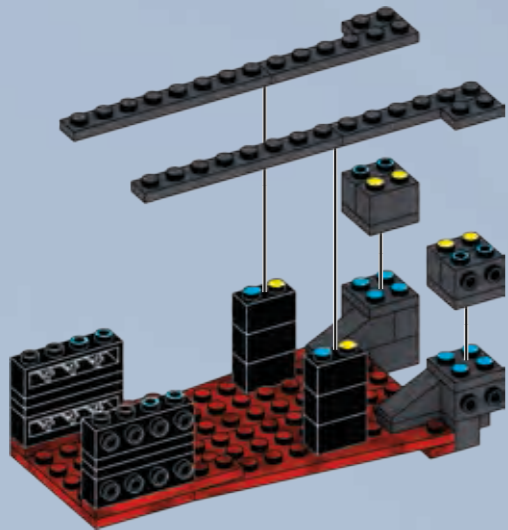
120



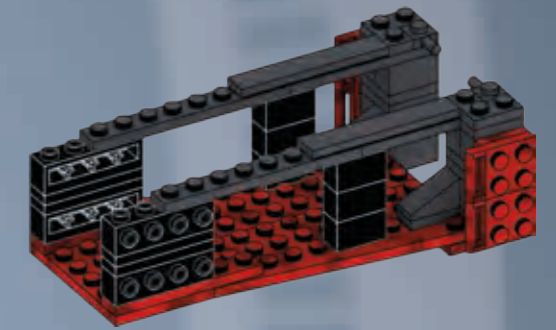
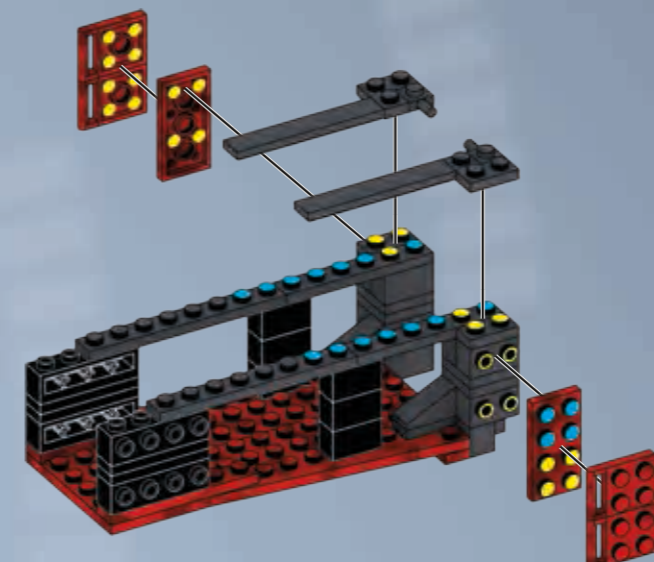
121



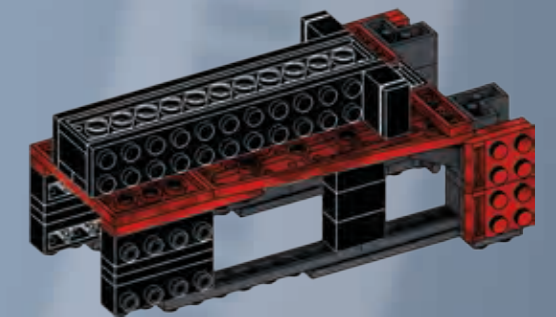
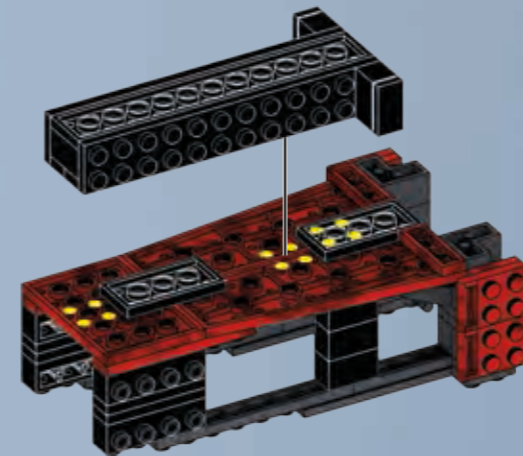
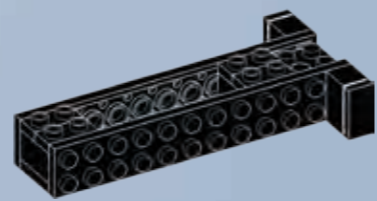
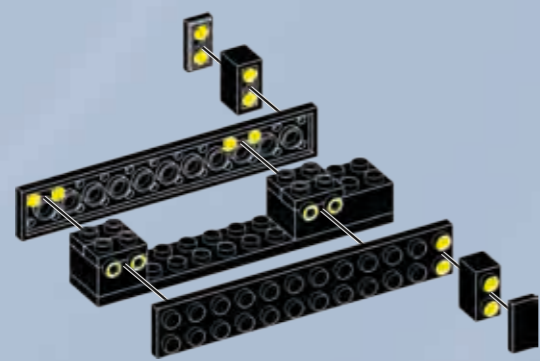
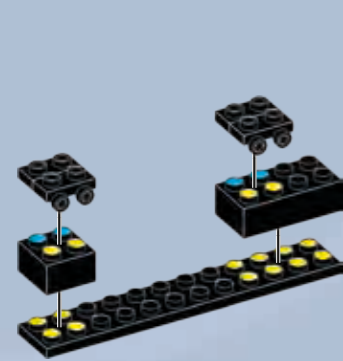
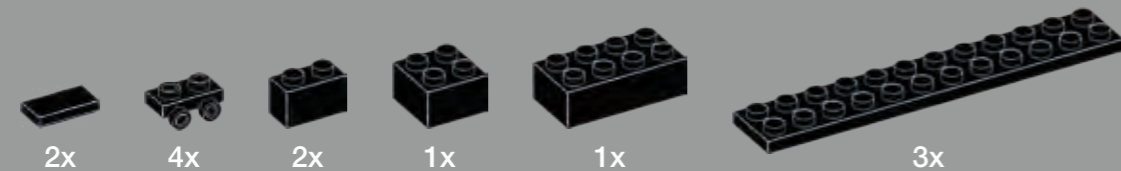
122

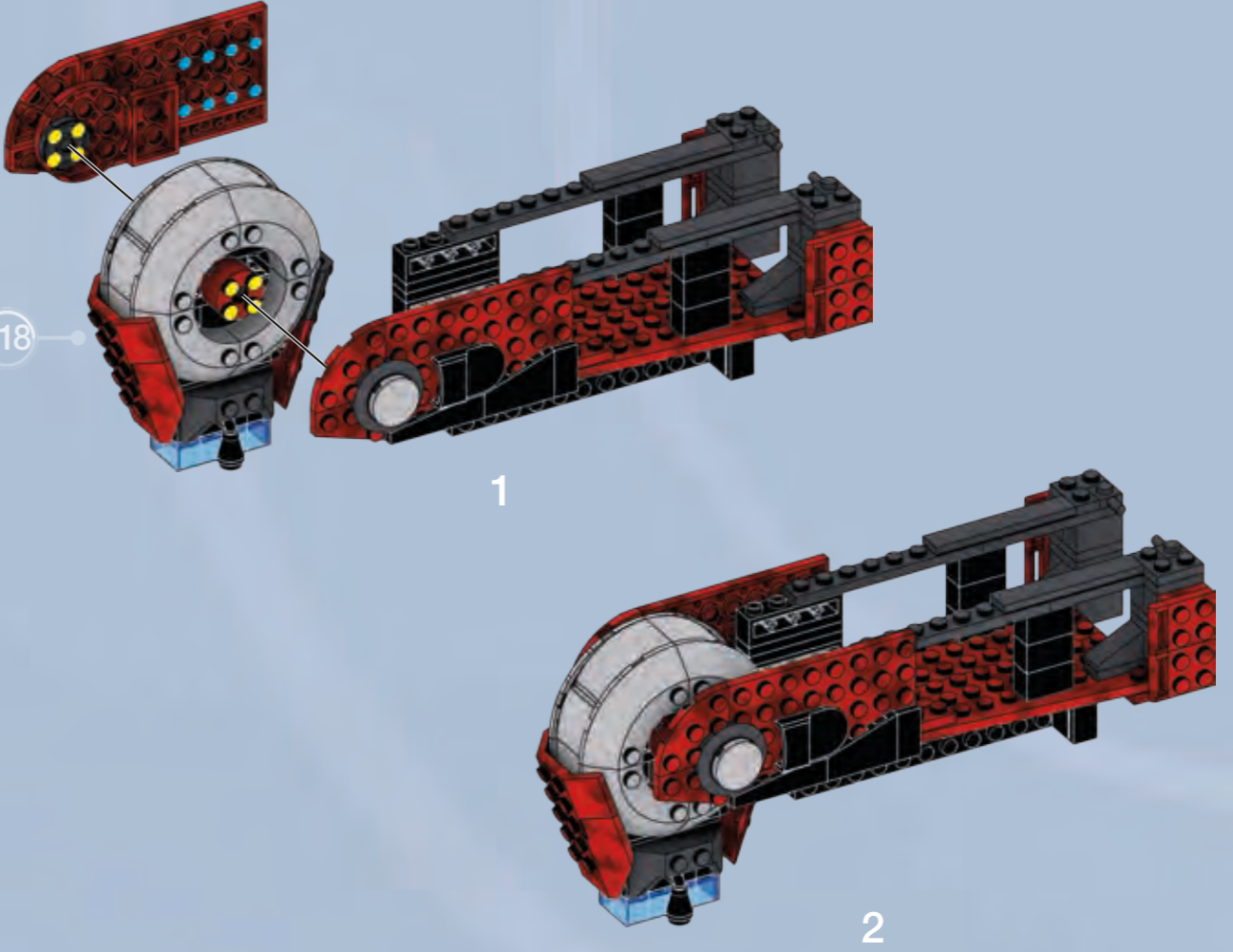
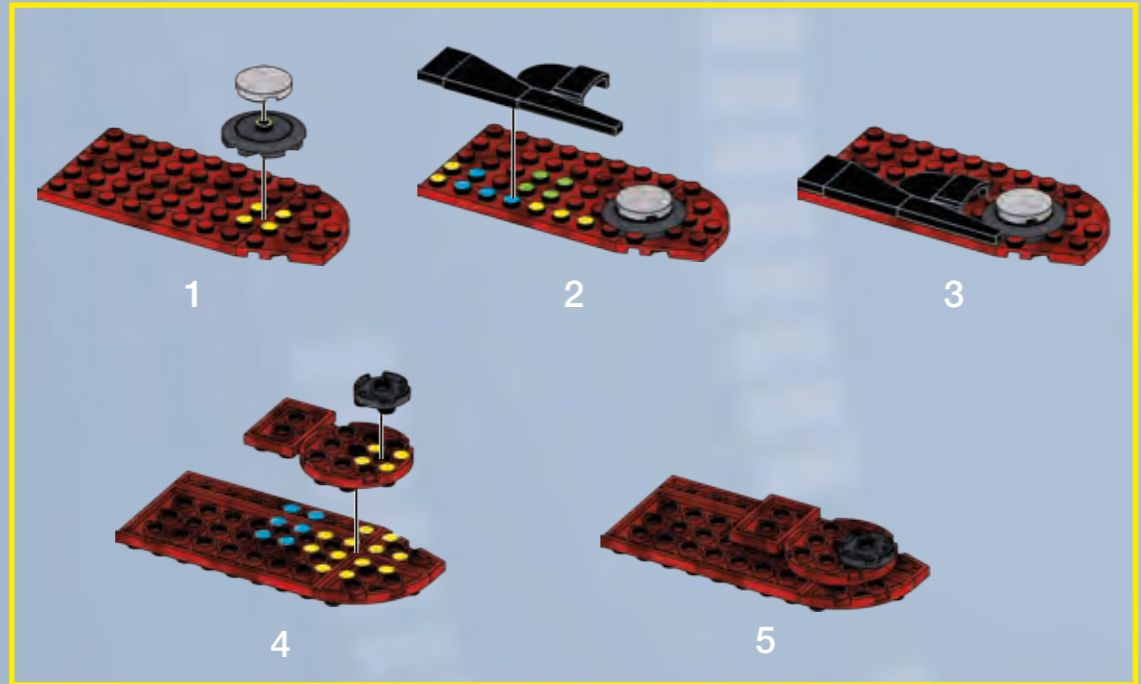
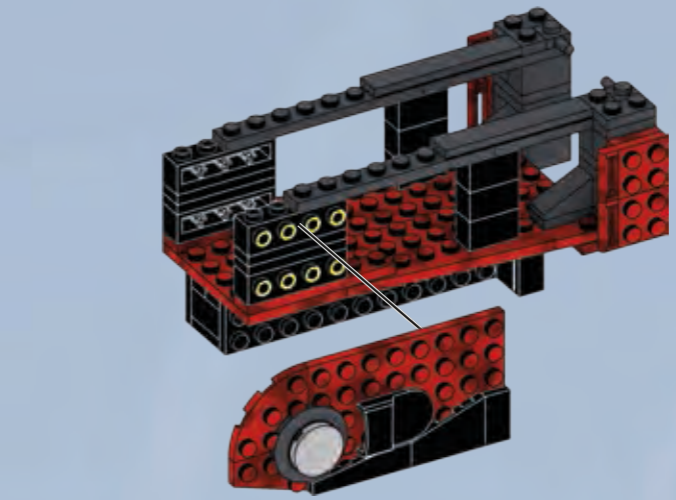
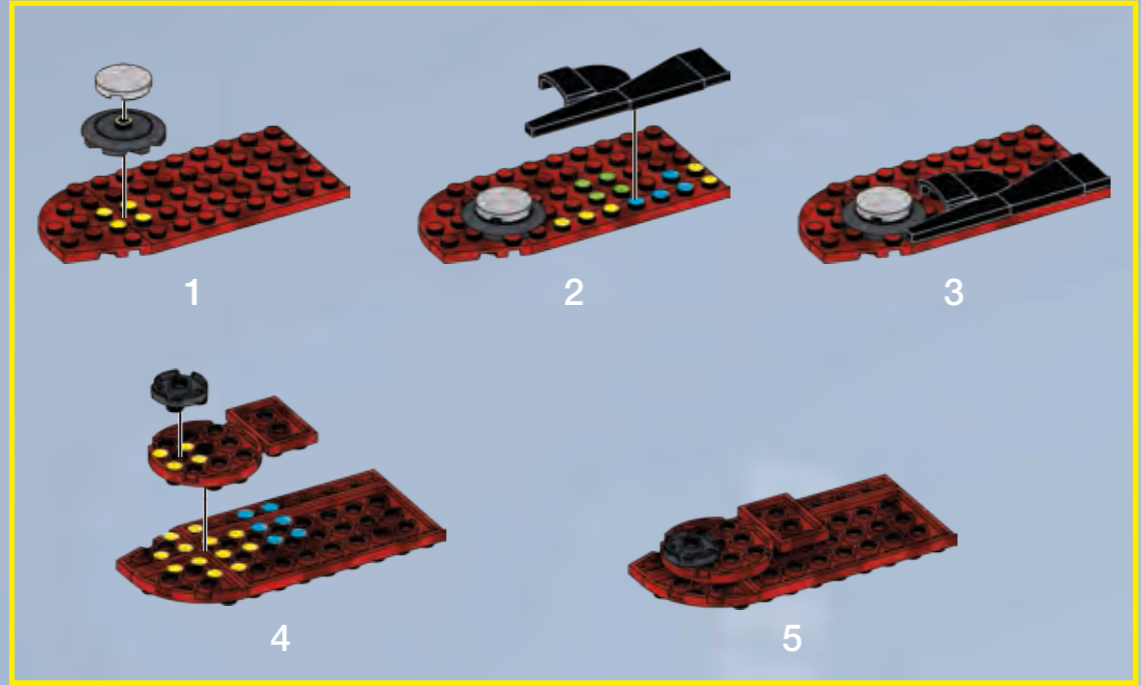


123



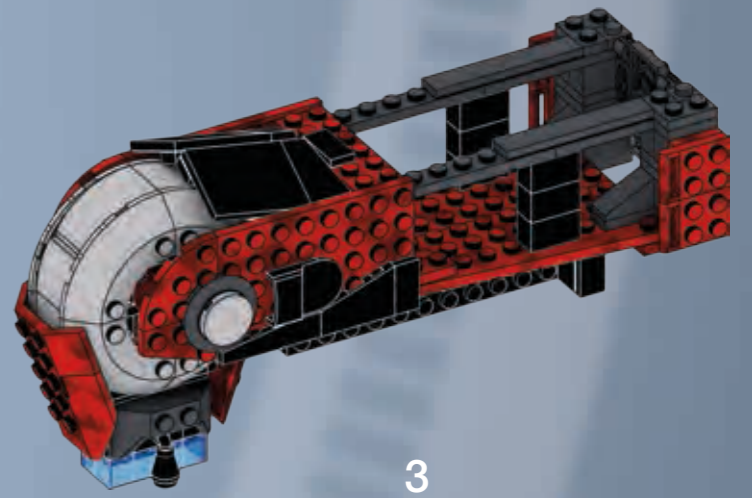
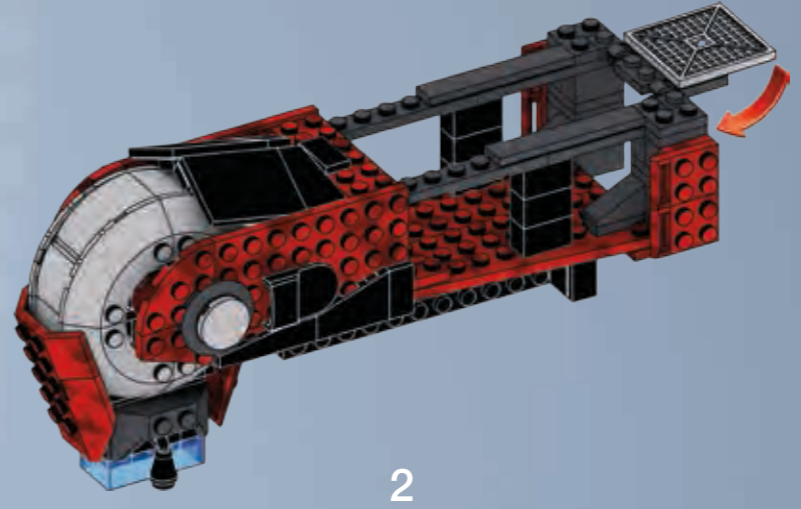
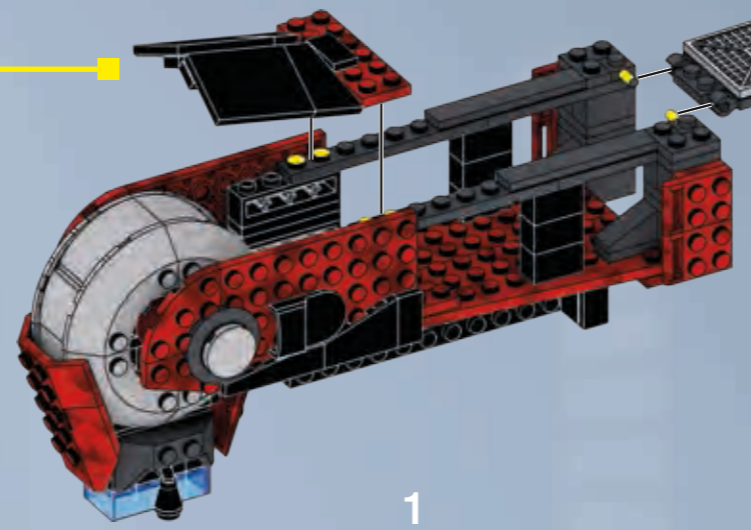
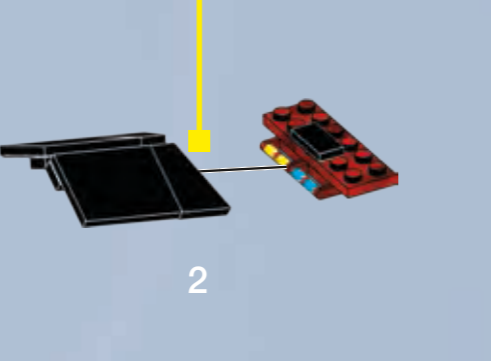
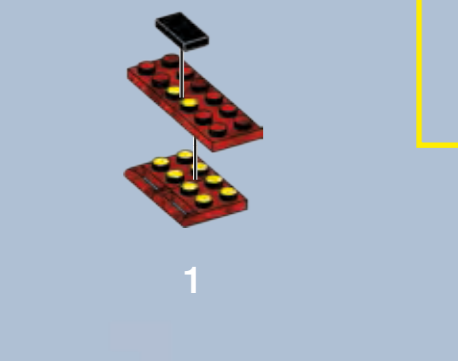
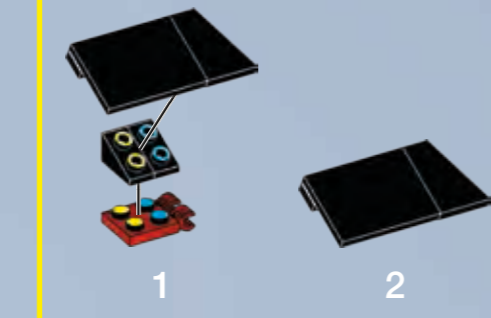
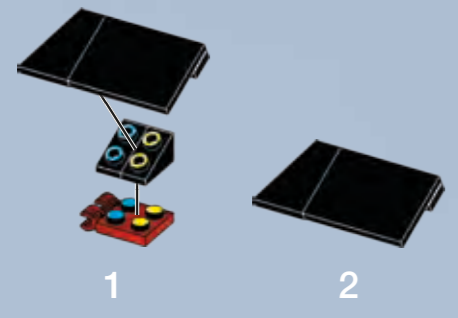
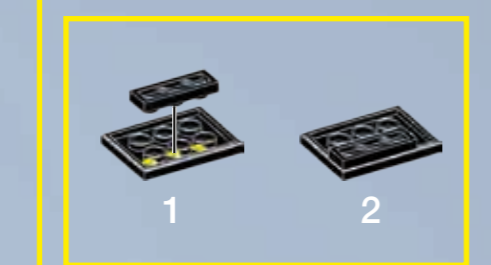
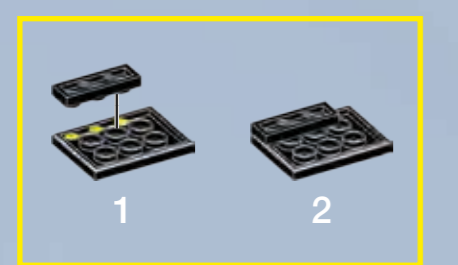
124





127

- 1x [1x black 1-hole Technic brick]
- 2x [2x black 2-hole Technic brick]
- 2x [2x black 3-hole Technic brick]
- 1x [1x black 1-hole Technic brick with hole]
- 1x [1x black 2-hole Technic brick with hole]
- 1x [1x black 2-hole Technic brick with hole]
- 2x [2x red 2-hole Technic brick]
- 2x [2x red 2-hole Technic brick]
- 4x [4x black 1-hole Technic wedge]
- 1x [1x red 1-hole Technic brick]
- 2x [2x black 2-hole Technic plate]
- 1x [1x grey 4-hole Technic plate]

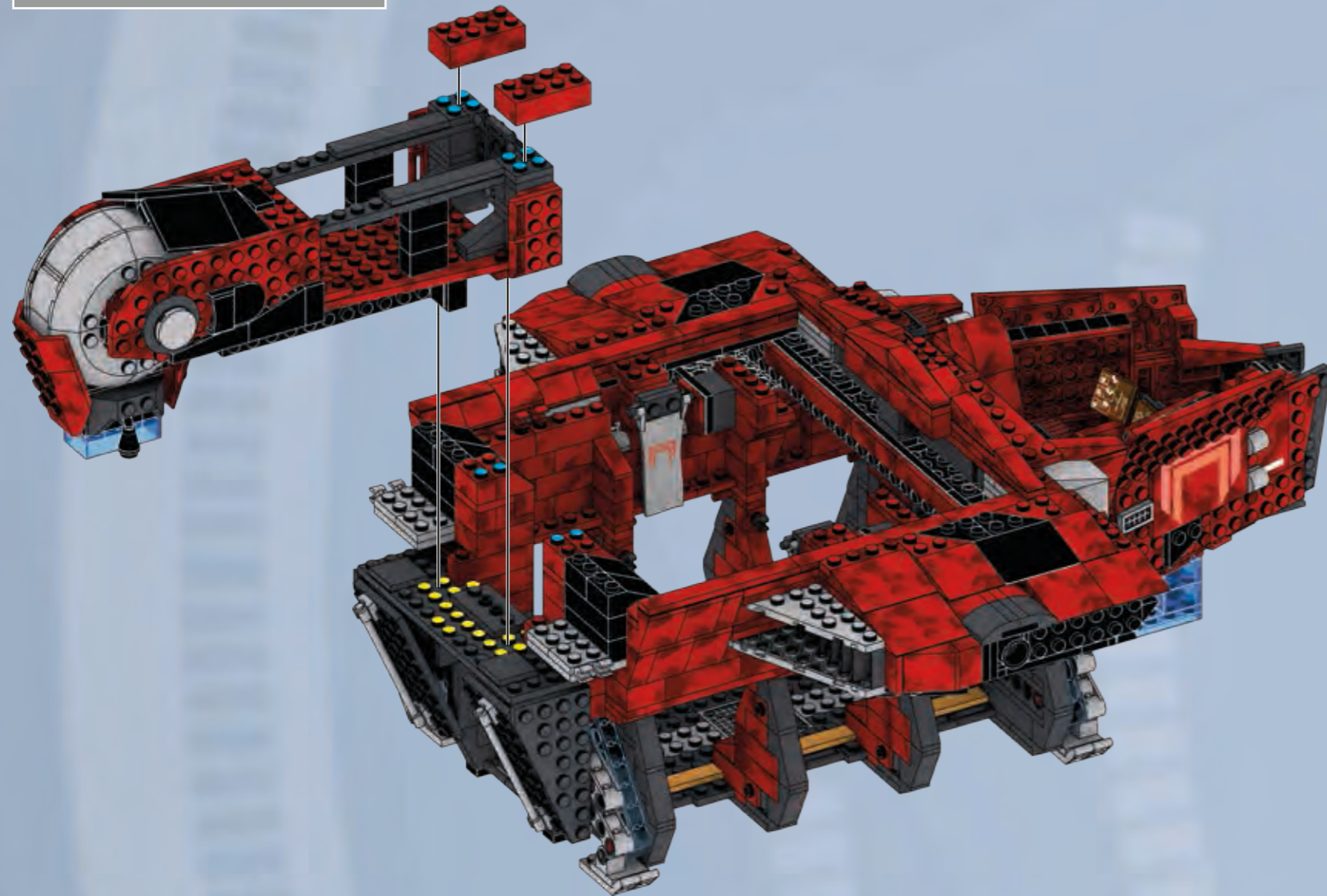


128

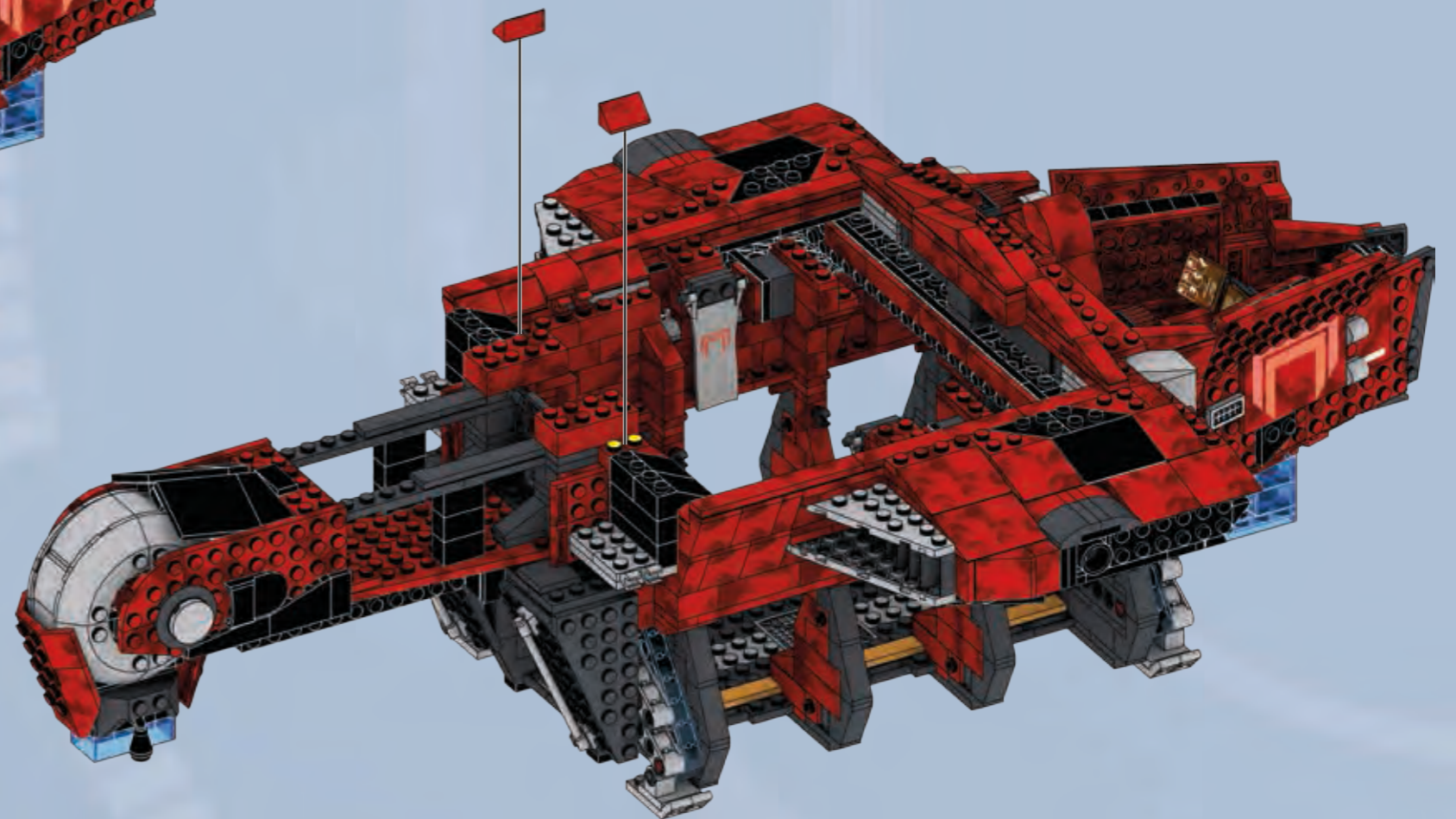
2x 2x

X ✓

2

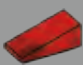
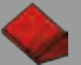
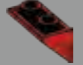

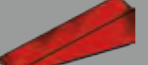





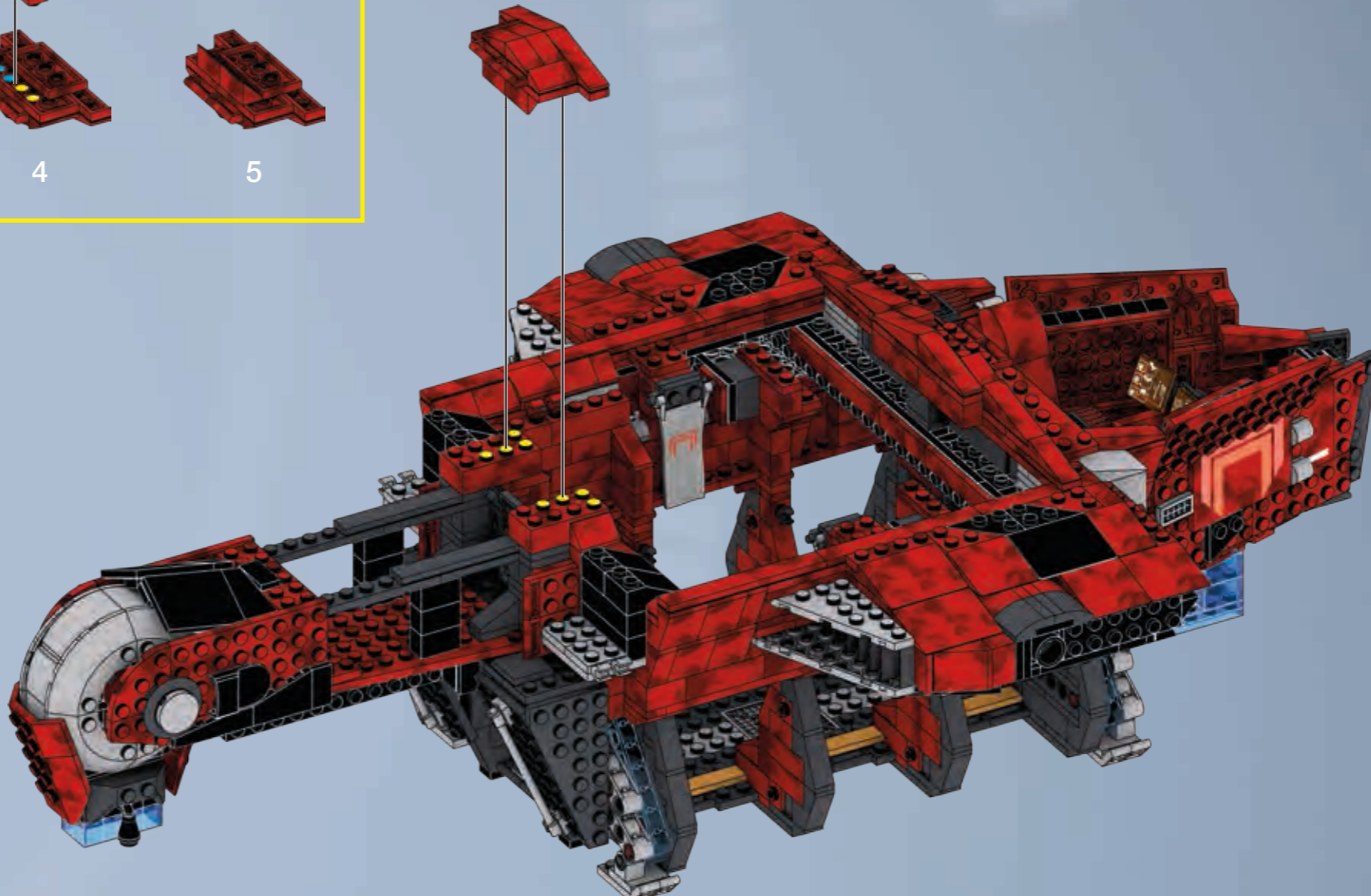
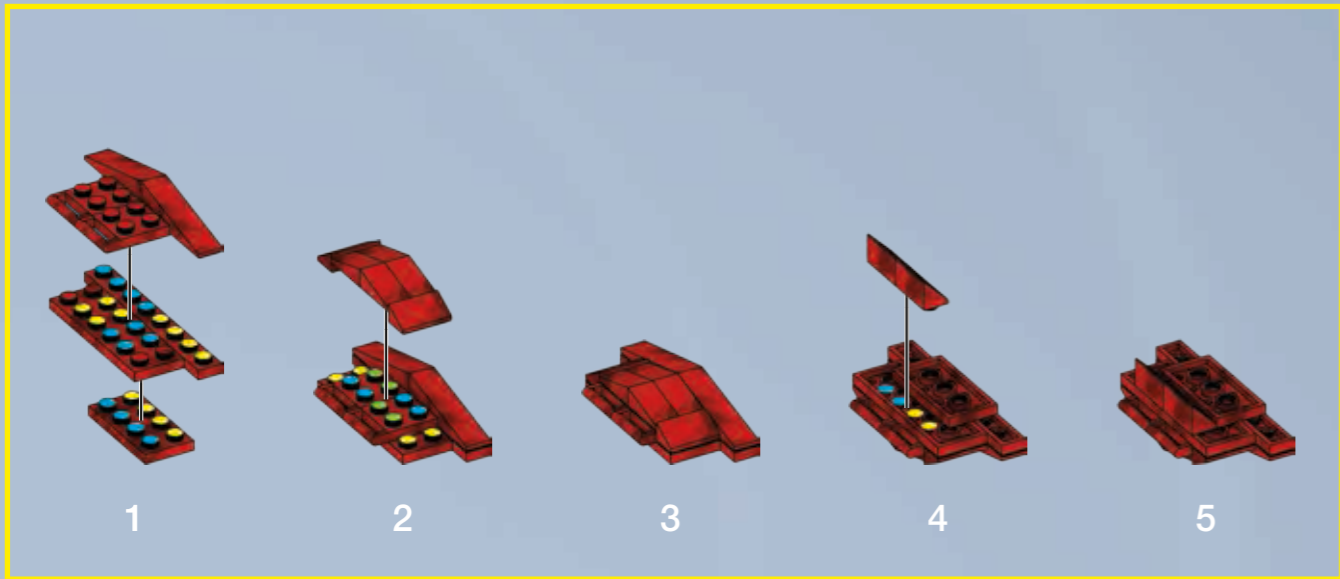
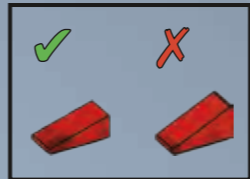
1



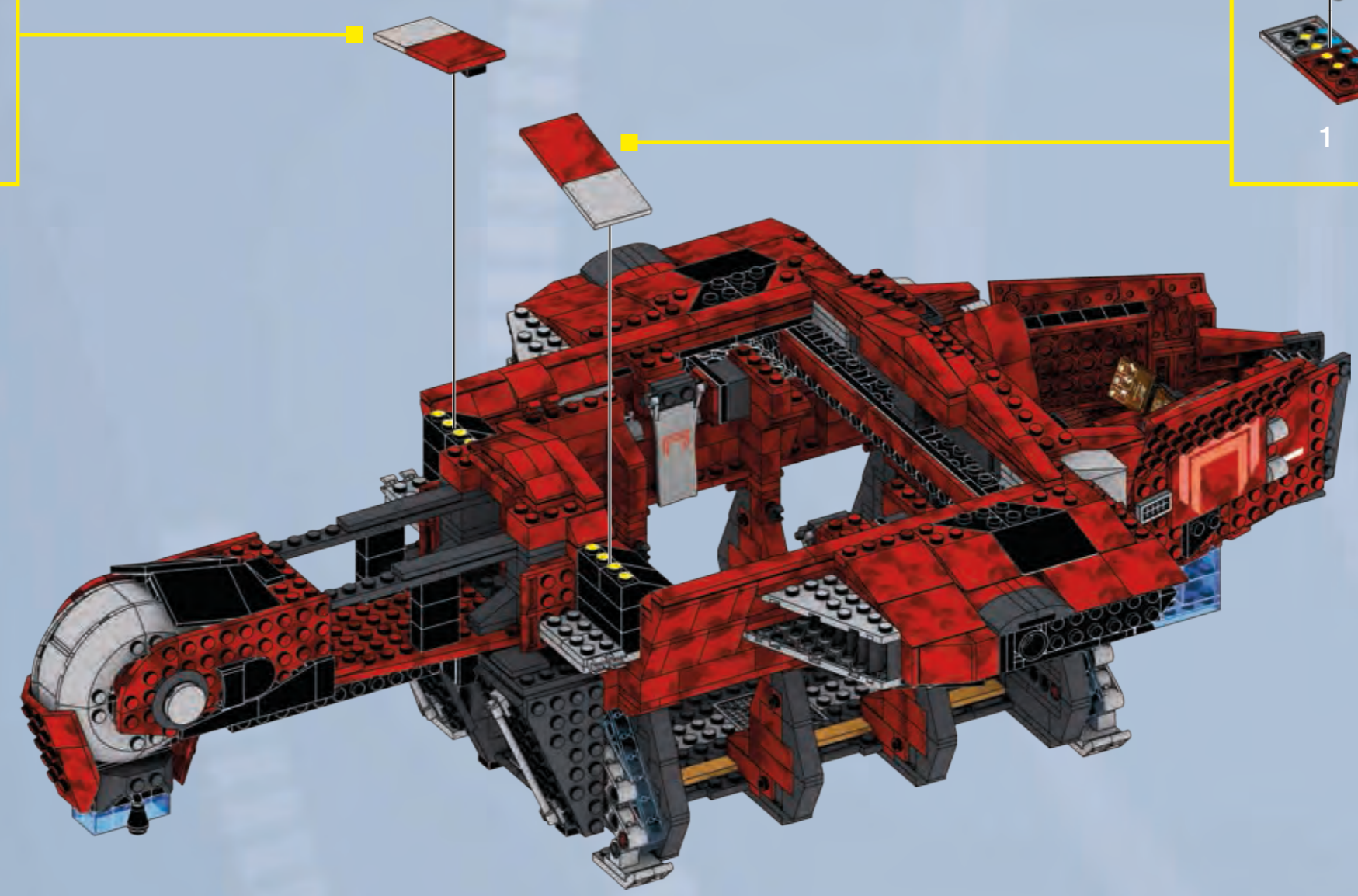
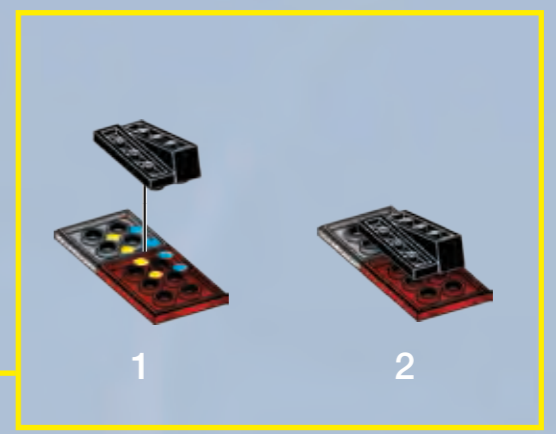
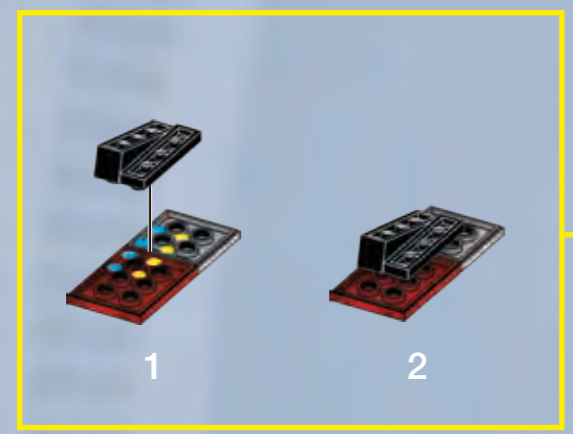
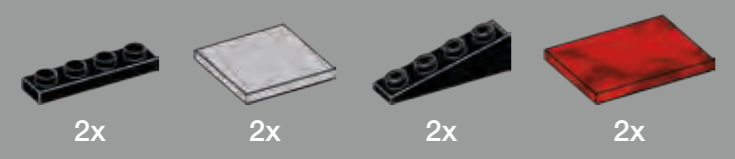
2

129

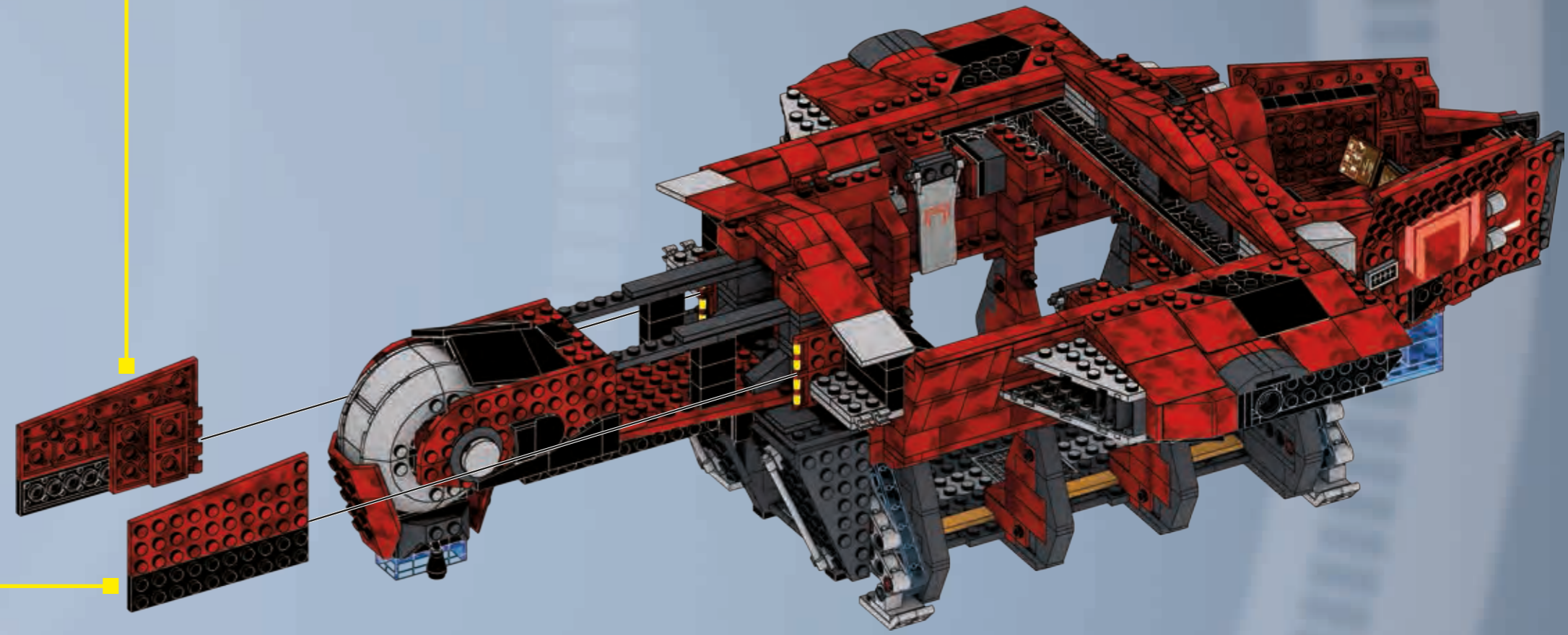
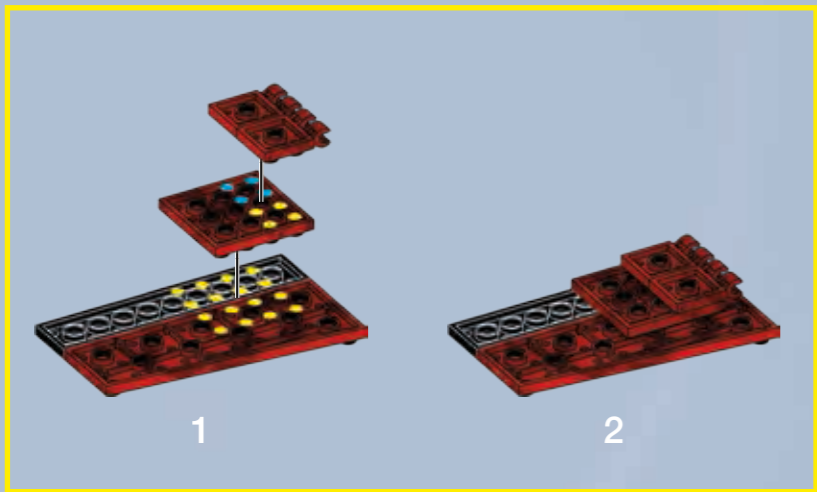
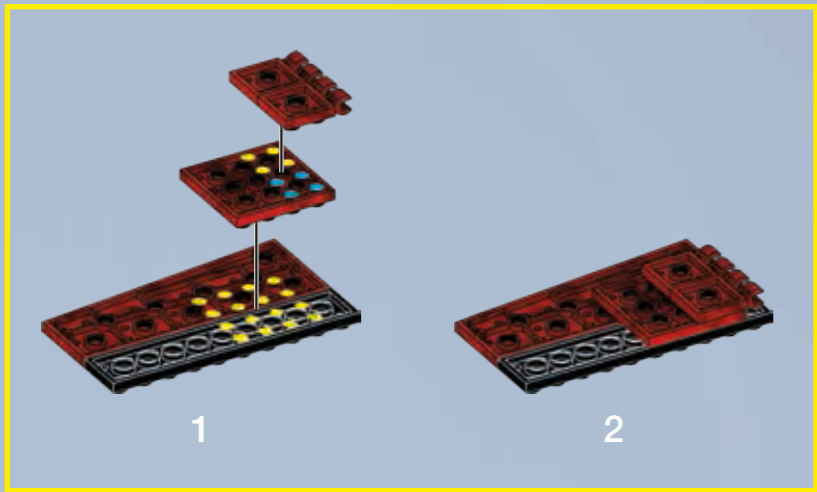
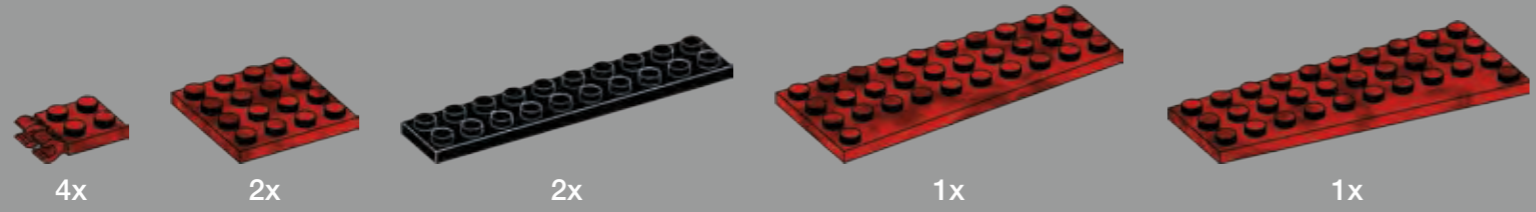
- 4x 
- 2x 
- 2x 
- 2x 
- 2x 
- 1x 
- 1x 
- 1x 



130

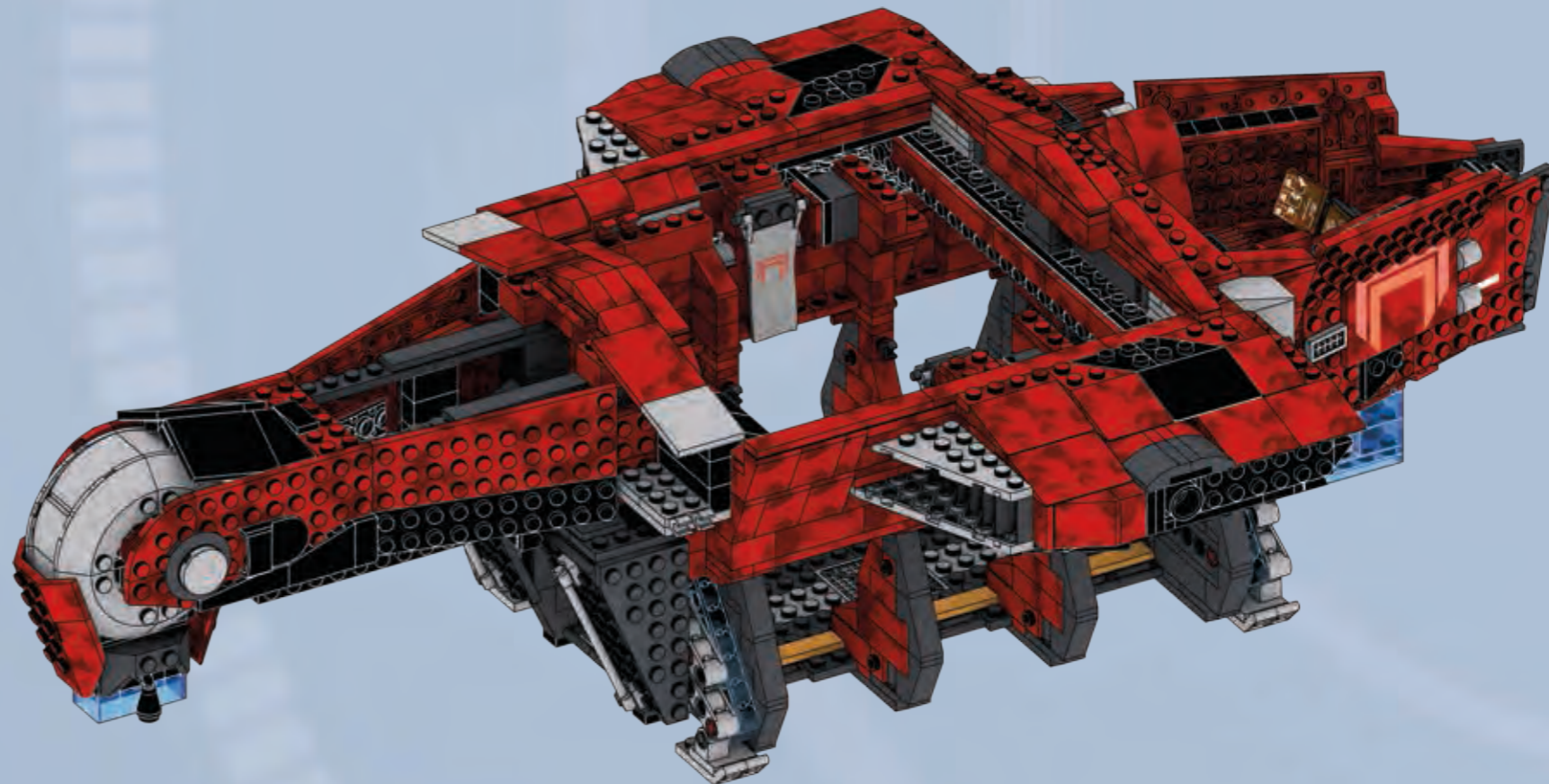


131





1



2

2

133



2x



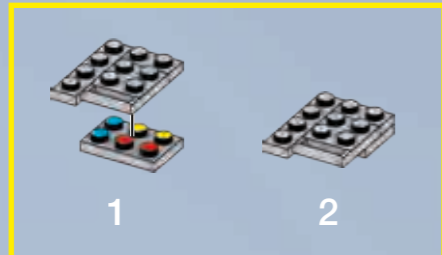
2x



2x

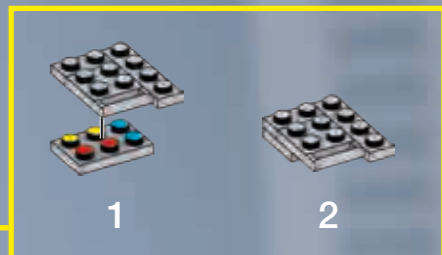
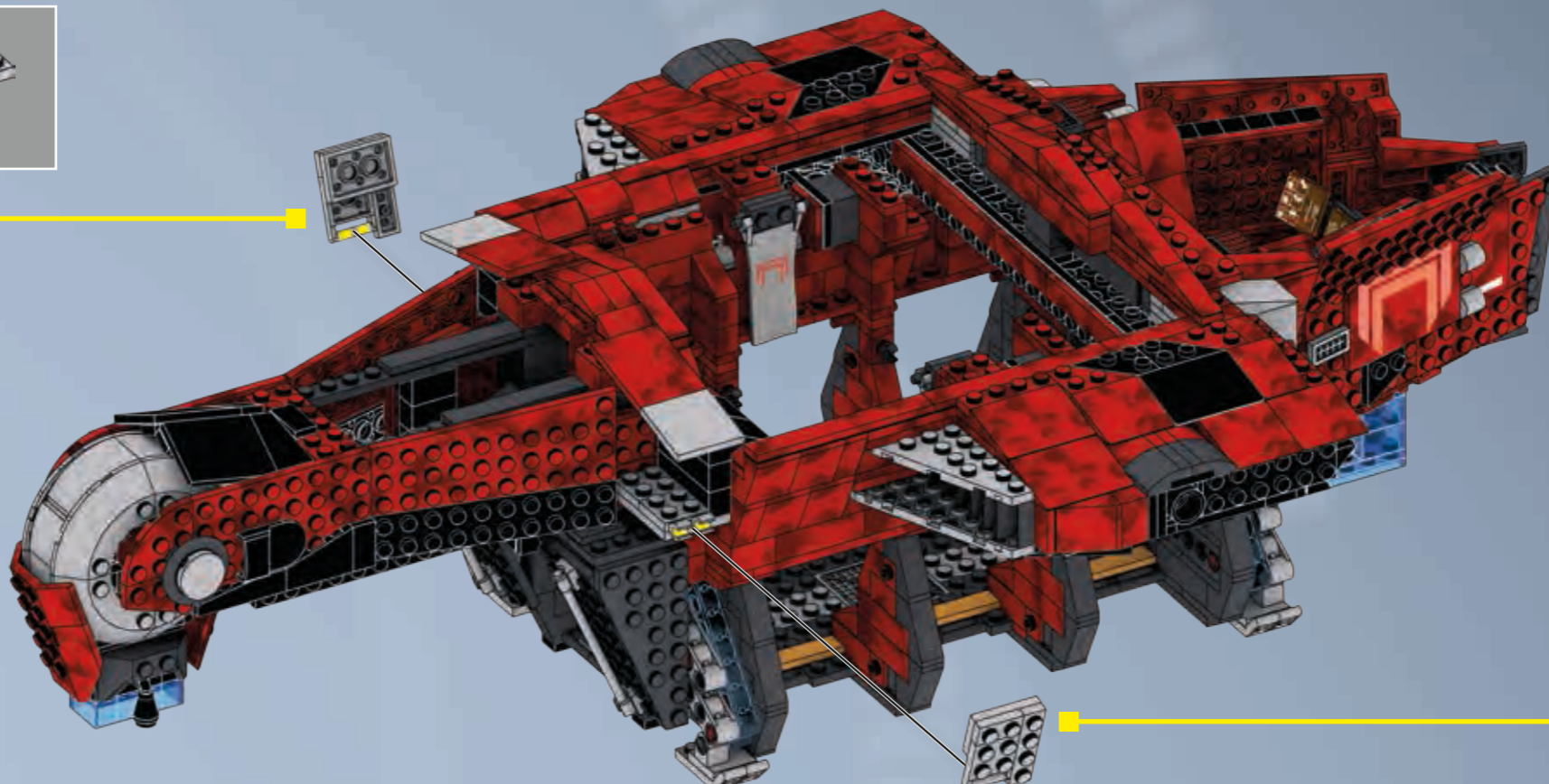


2x



1

2



1

2

134



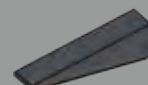
3x



3x



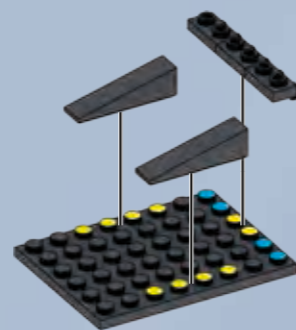
3x



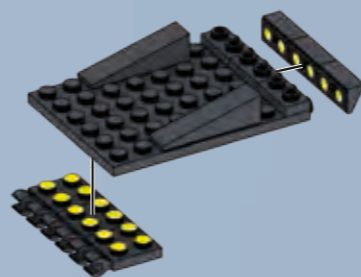
2x



1x



1

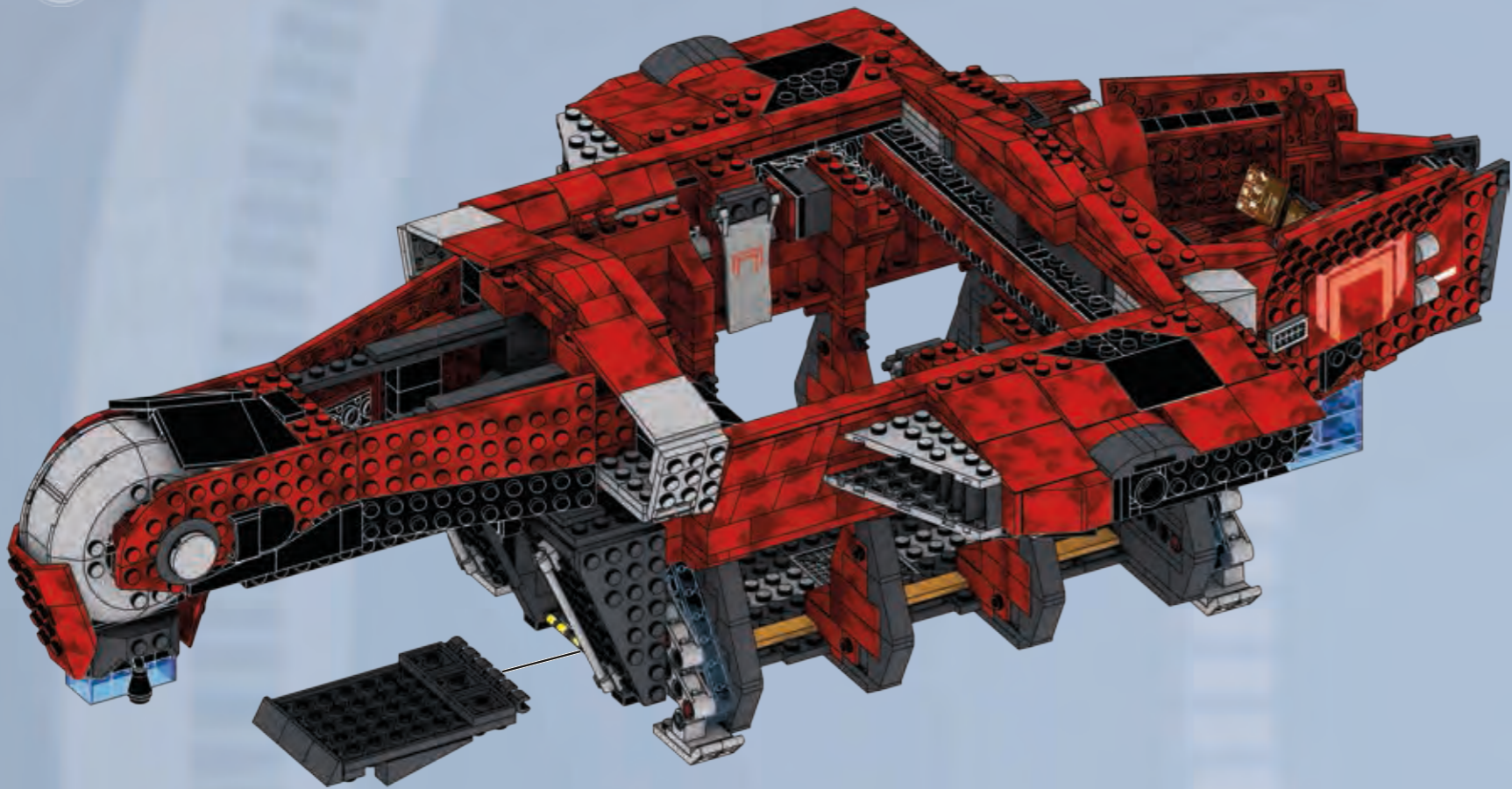


2

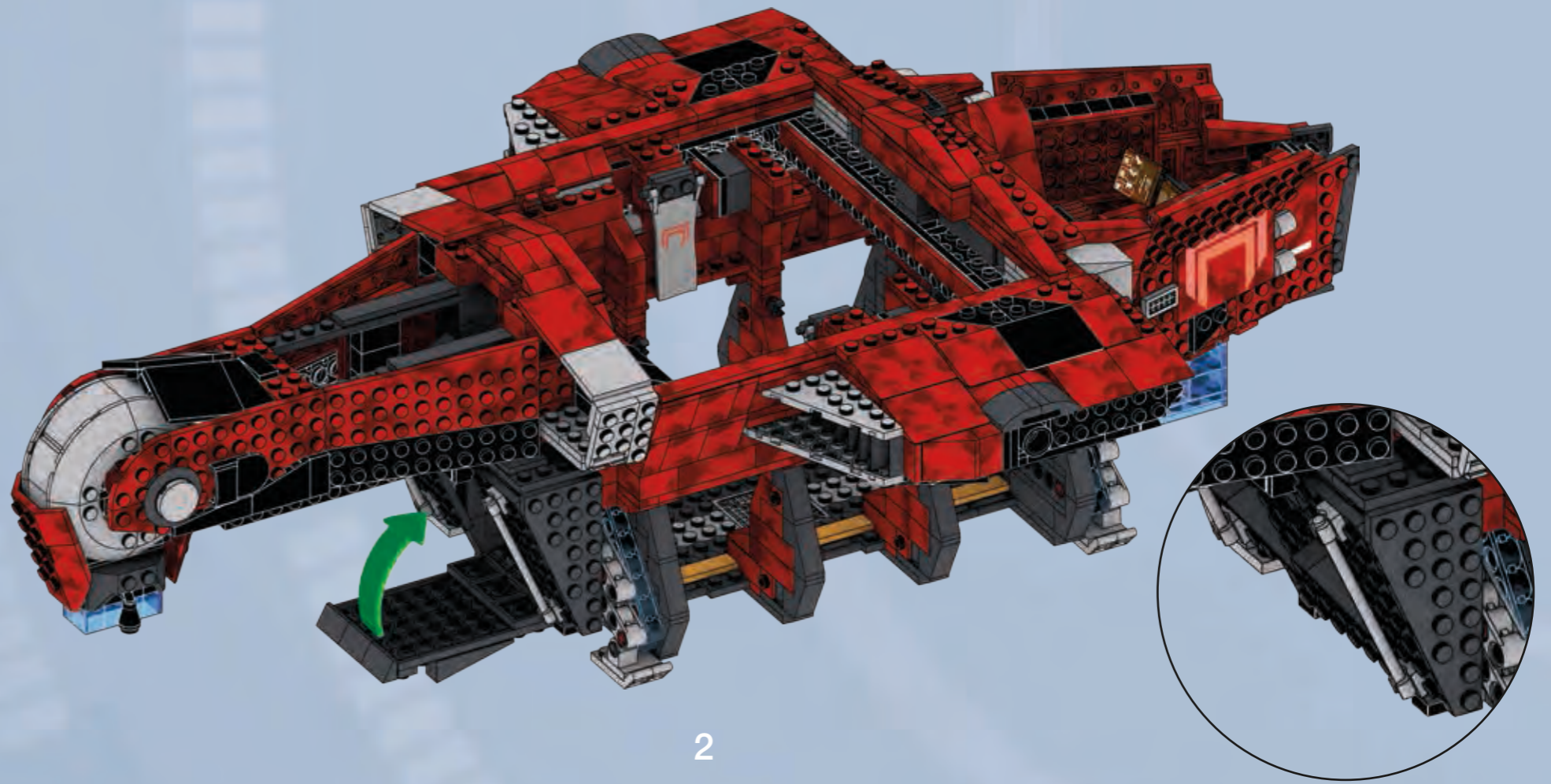


3

2



1



2

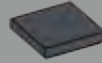
136



6x



12x



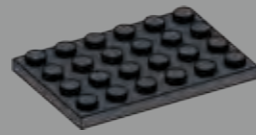
6x



6x



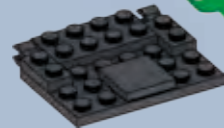
6x



6x



1

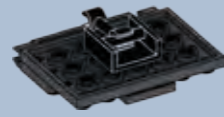


2

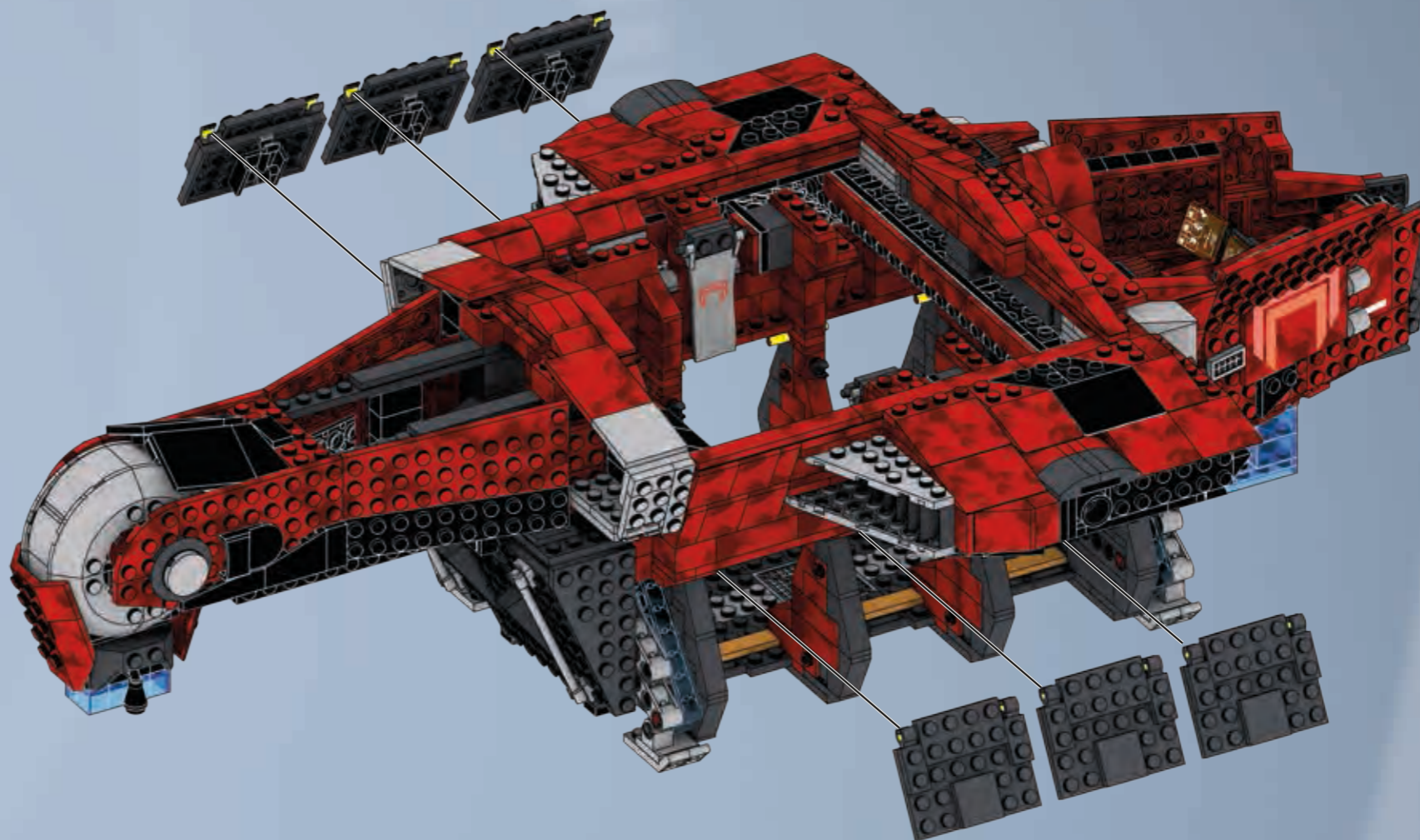
X6

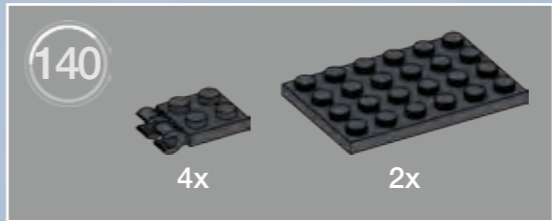
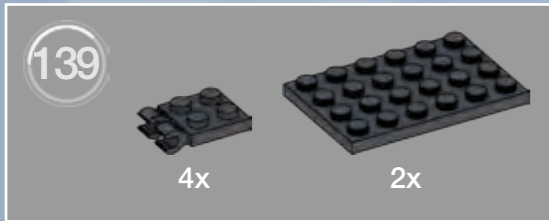
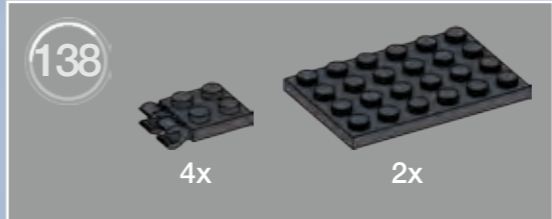
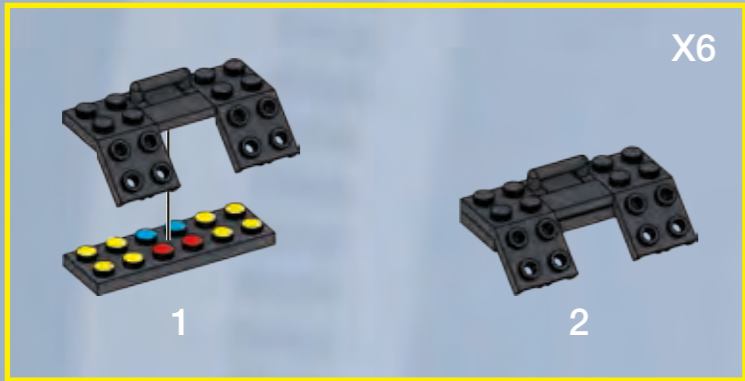
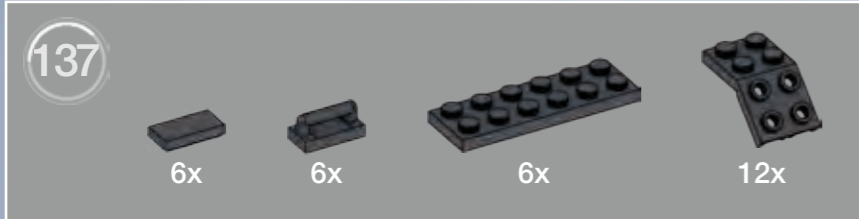


3

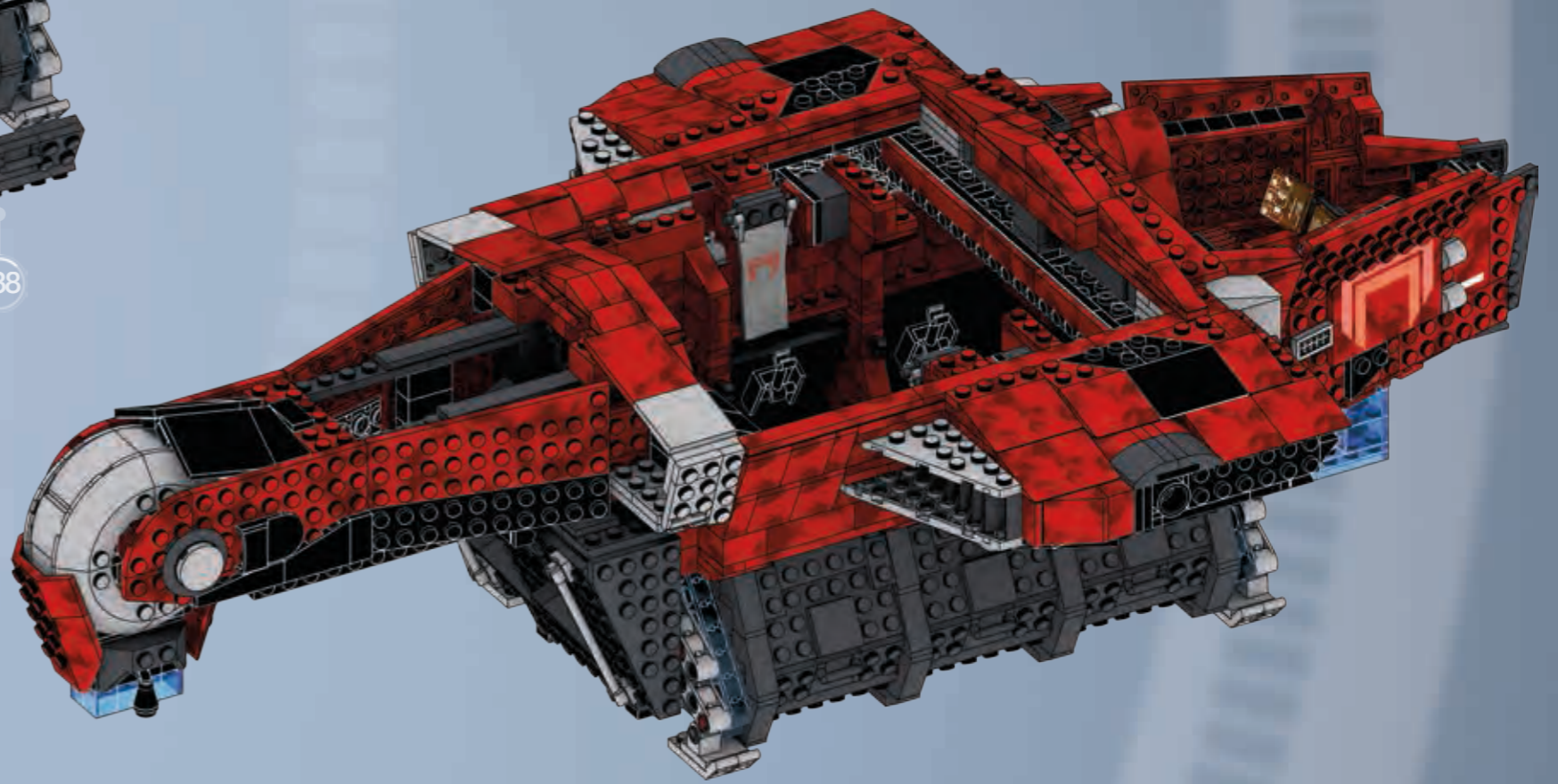


4





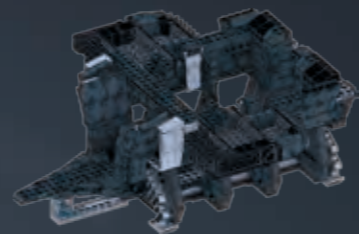
141



2

2

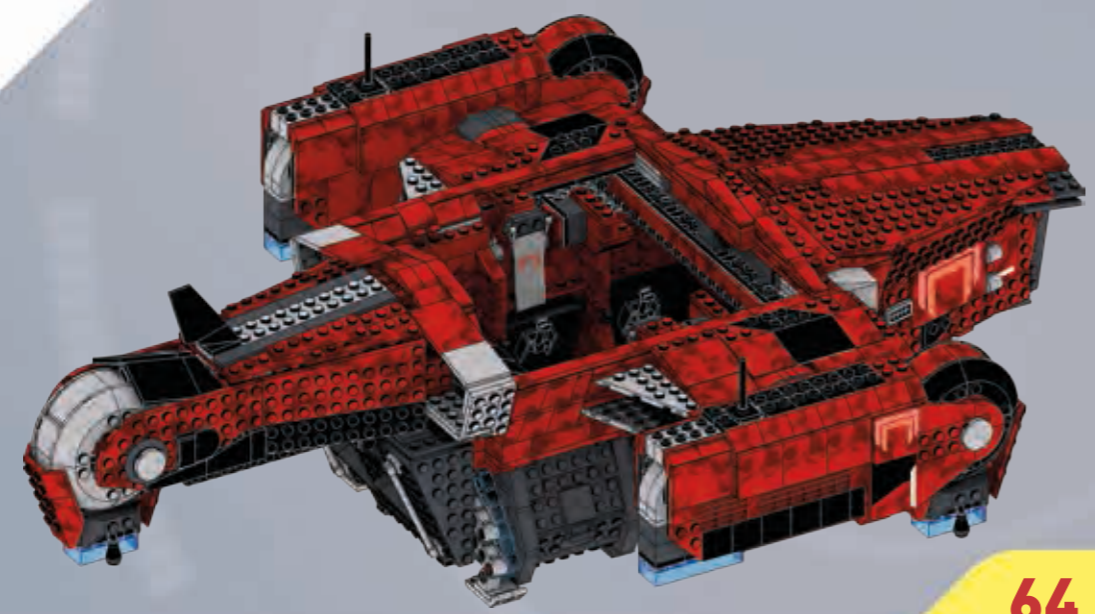




4 - 33



34 - 63

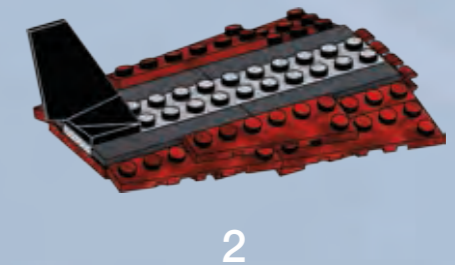
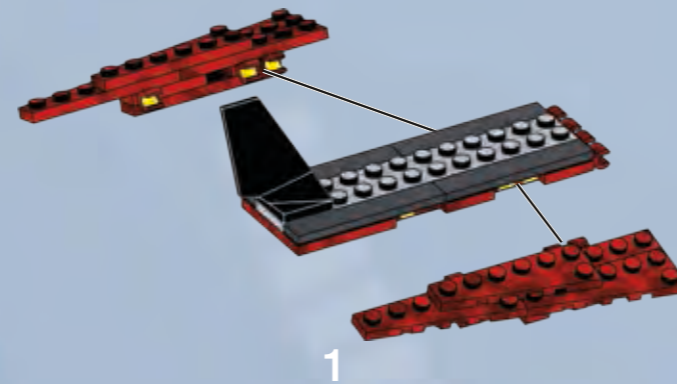
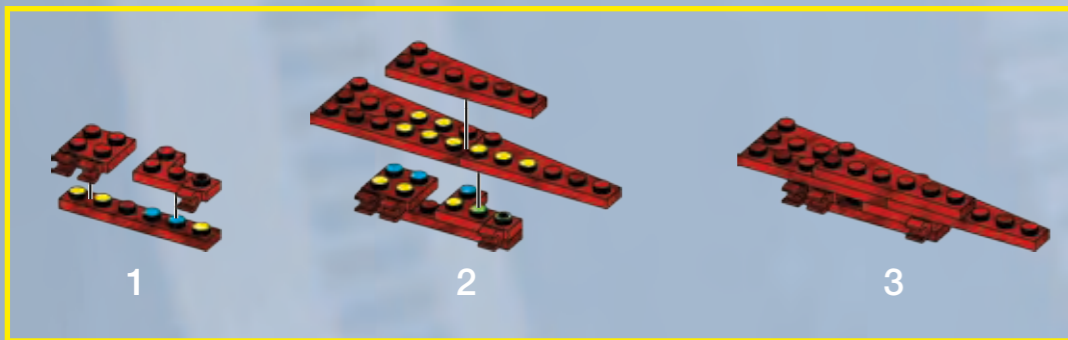
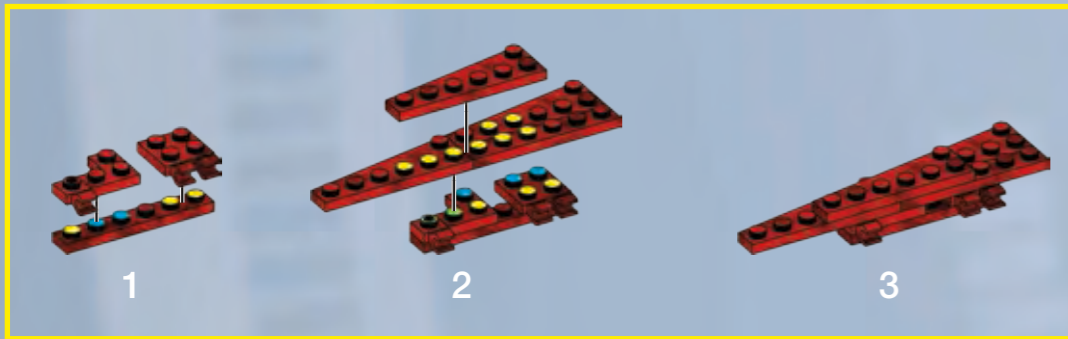
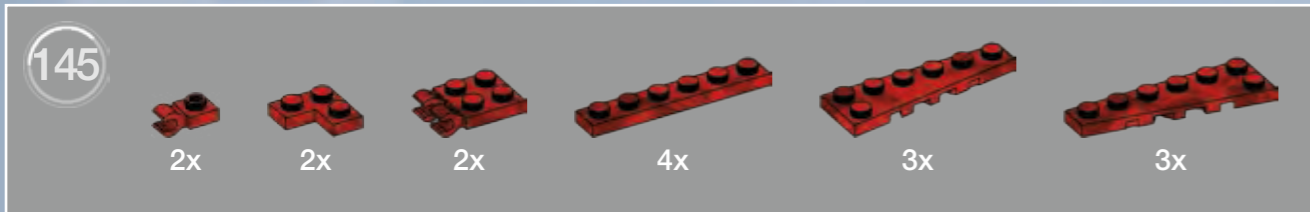
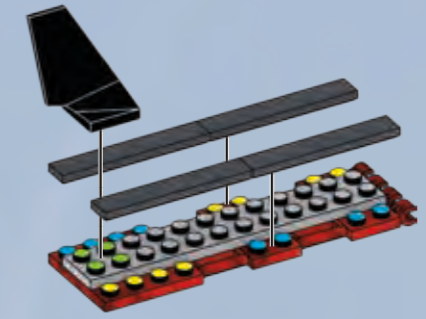
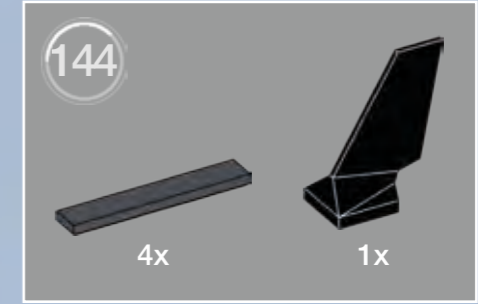
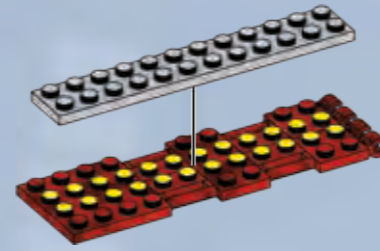
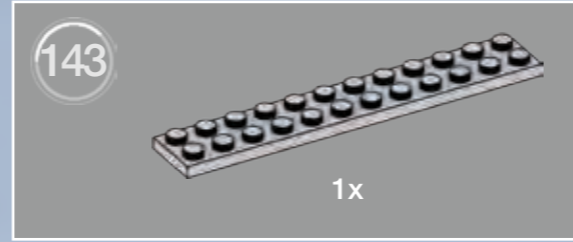
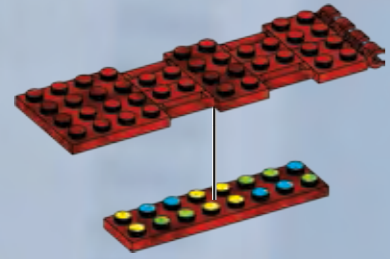
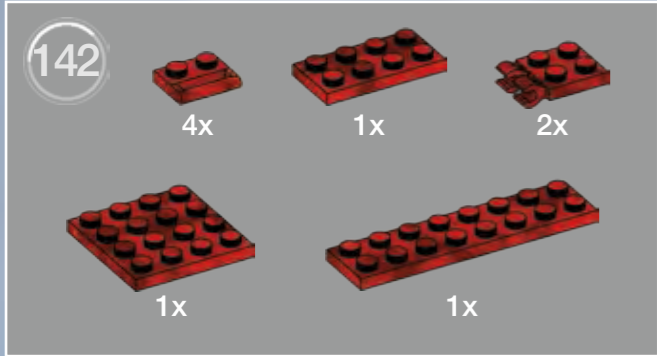


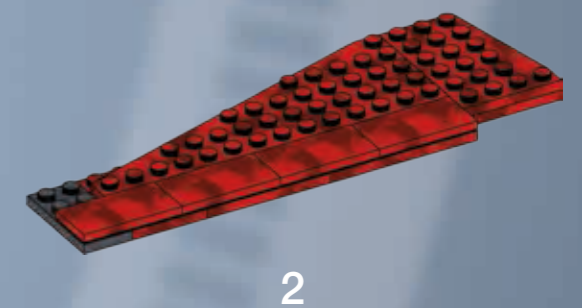
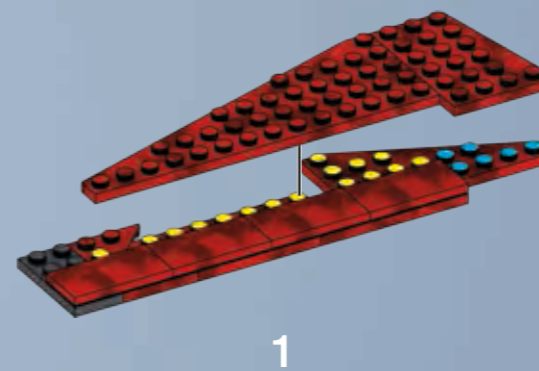
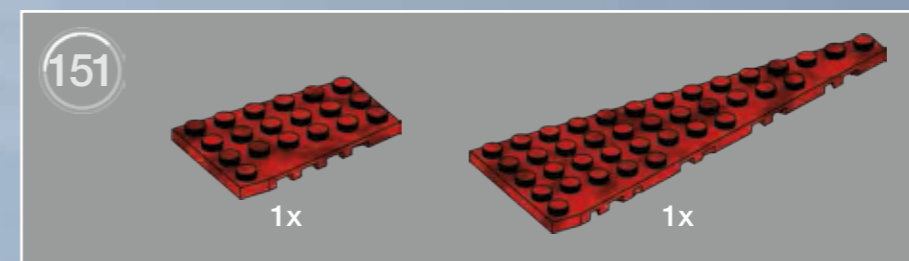
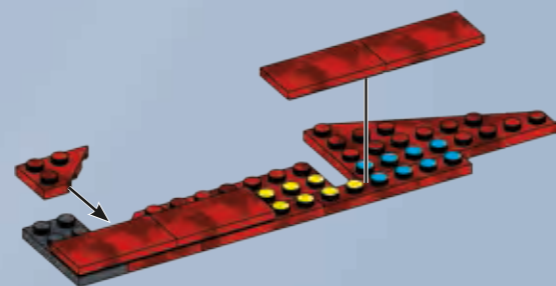
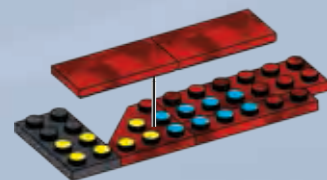
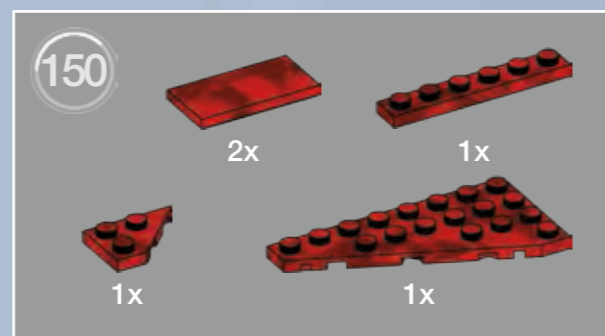
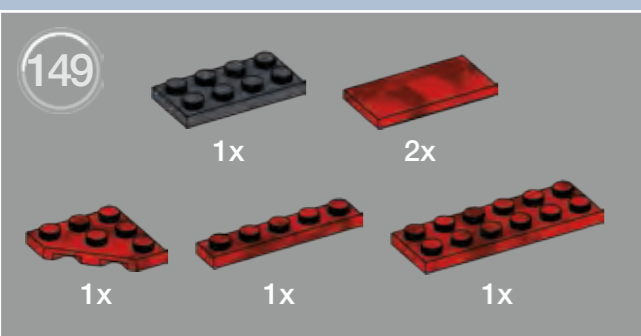
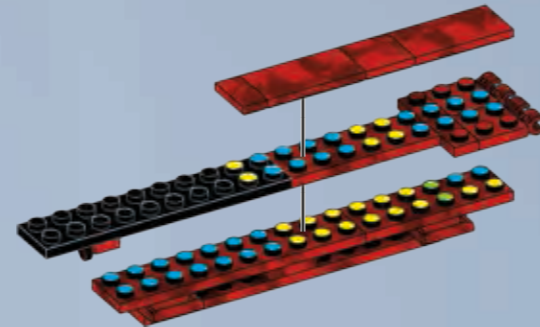
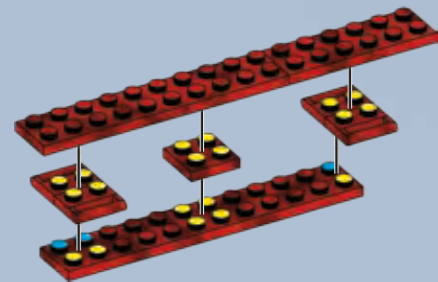
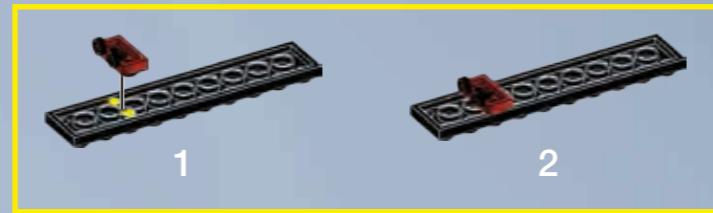
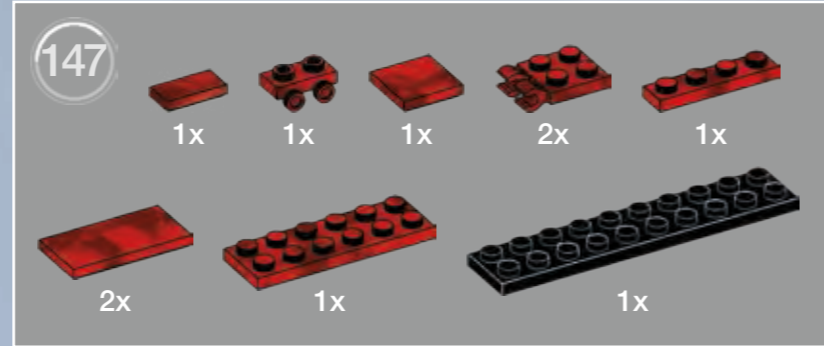
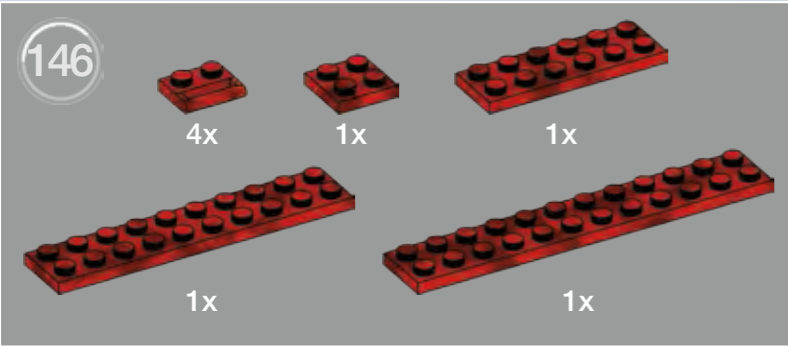
64 - 89



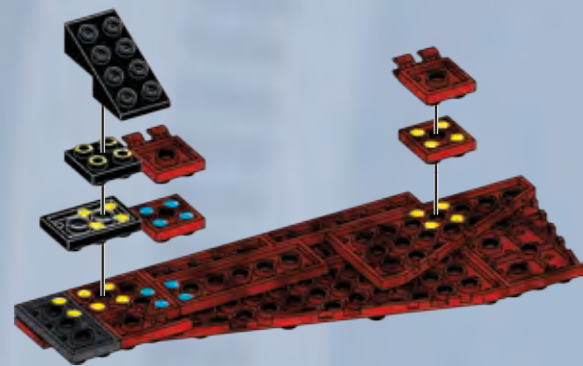
90 - 103

3

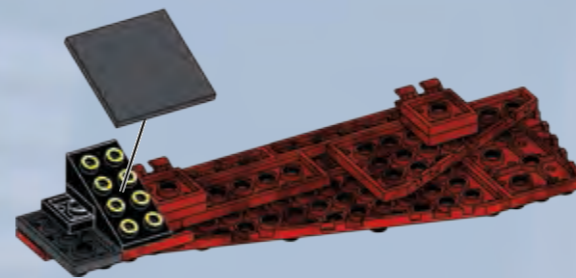
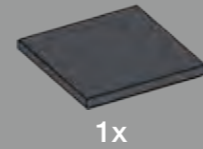




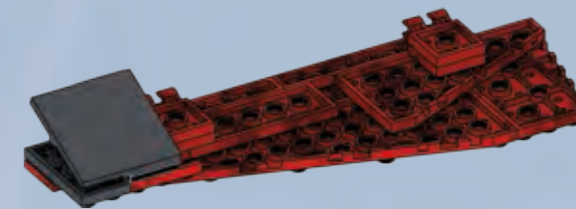
152



153

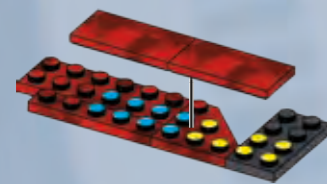
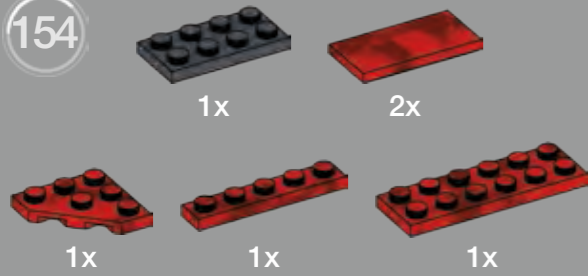


1

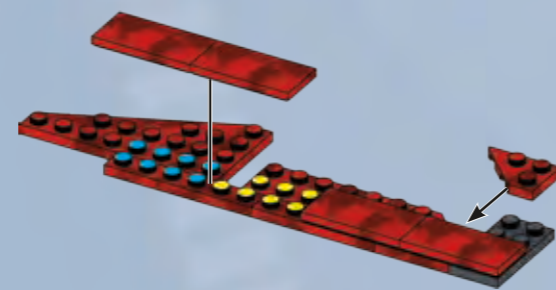
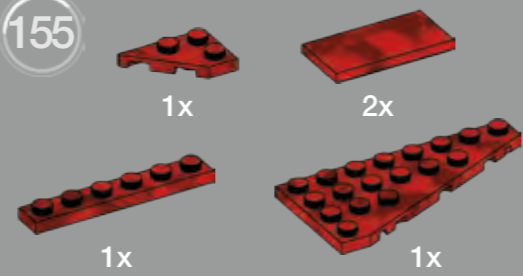


2

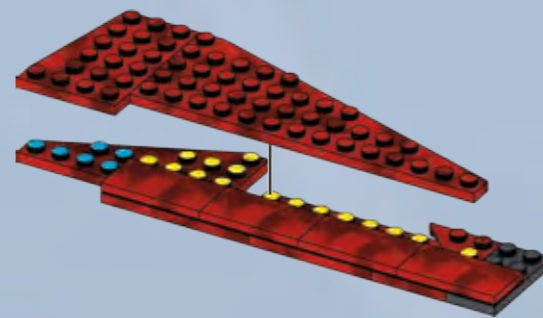
154



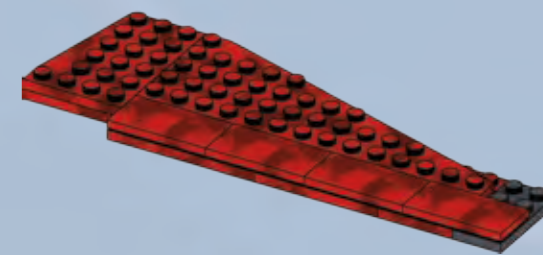
155



156

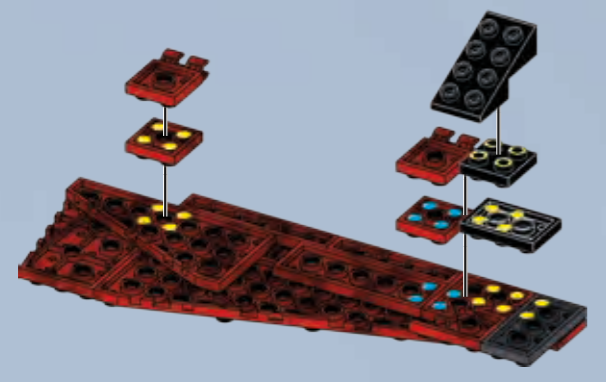
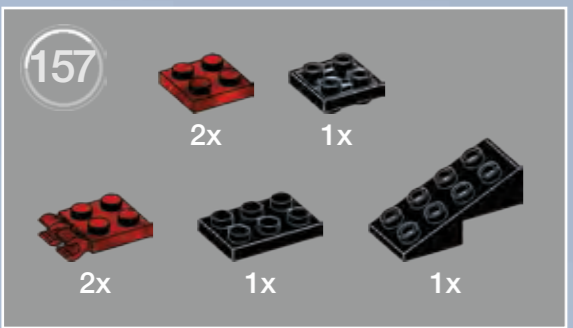


1

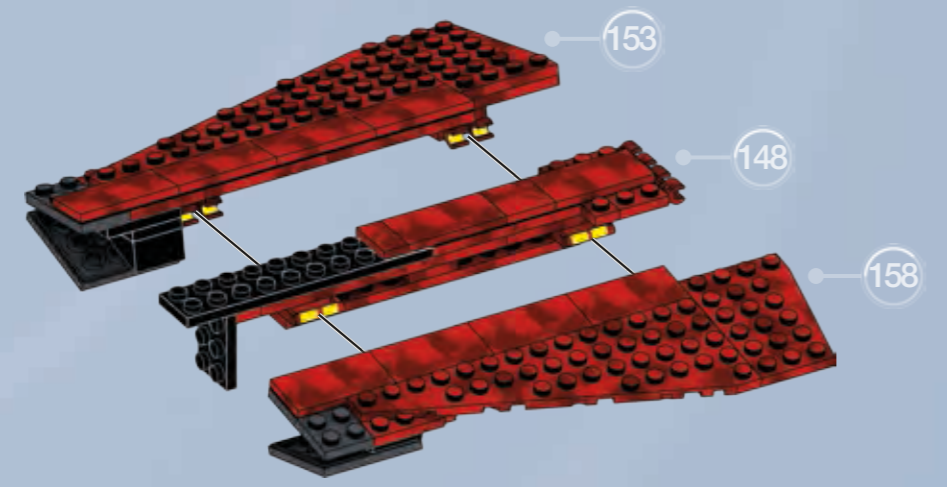


2

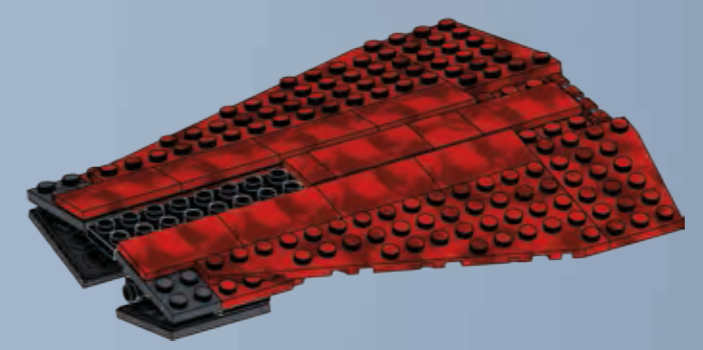
3



159



1



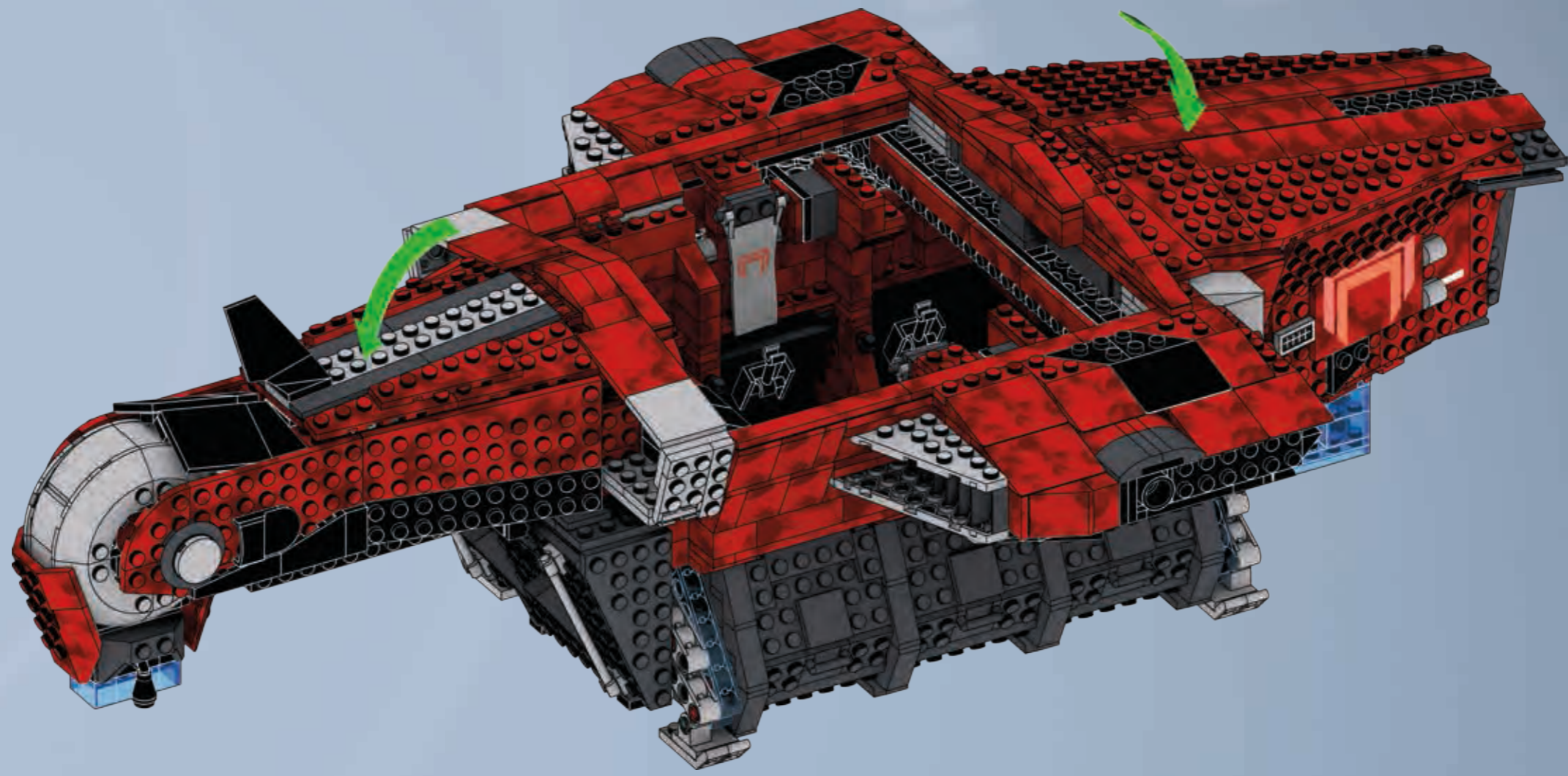
2

3



3

1



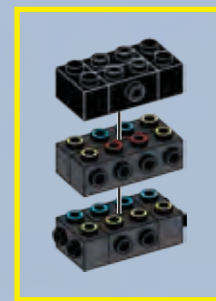
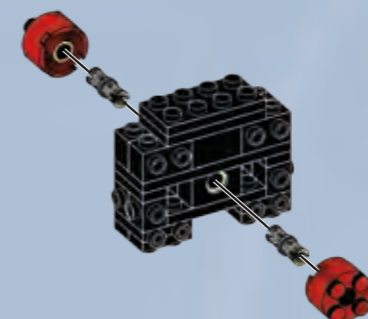
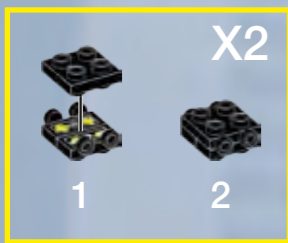
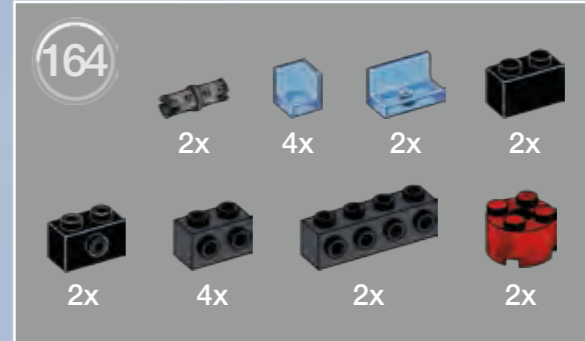
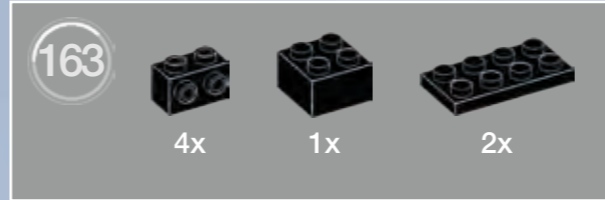
2

3



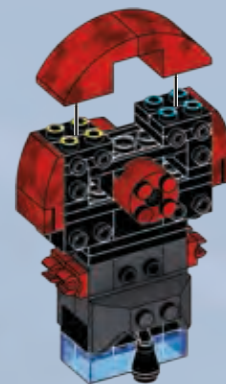
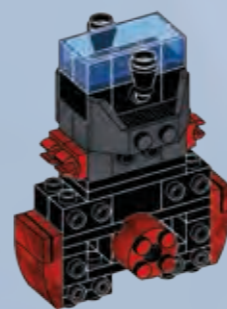
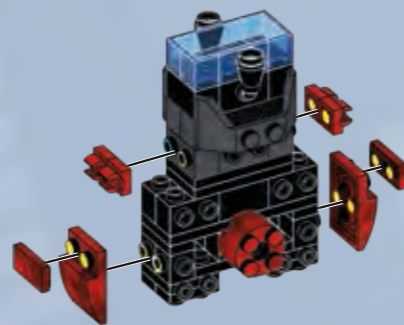
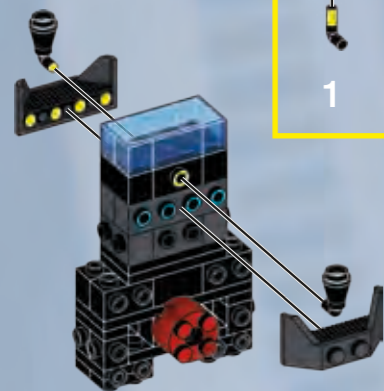
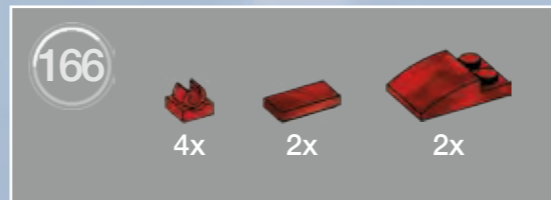


161 → 168 X2



1

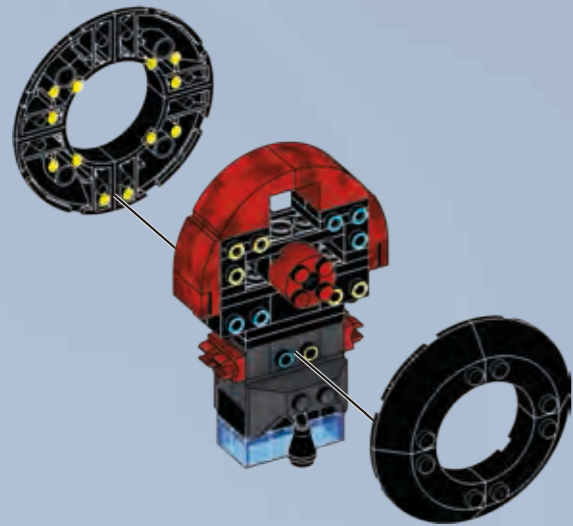
2



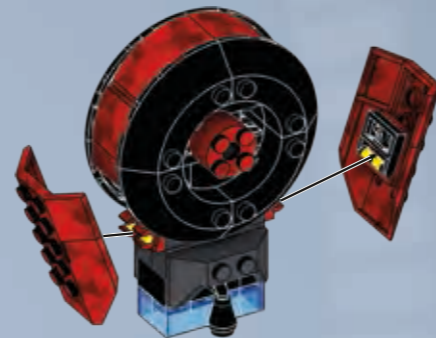
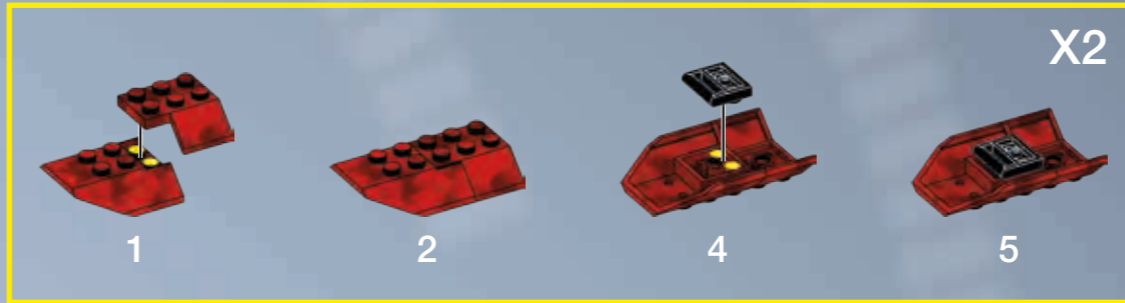
1

2

168



1

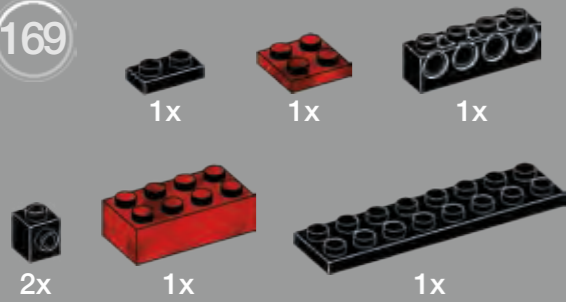


2

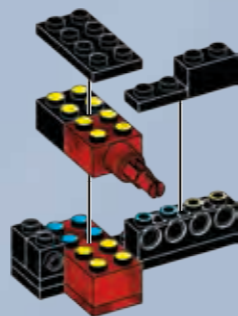
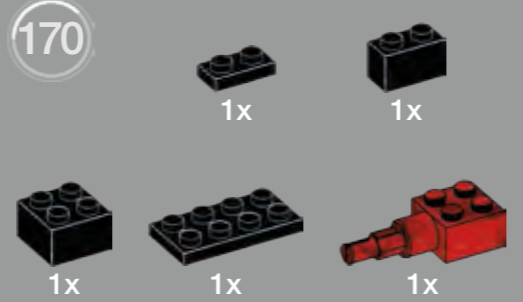


3

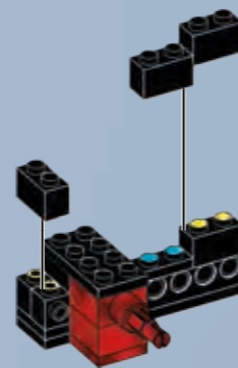
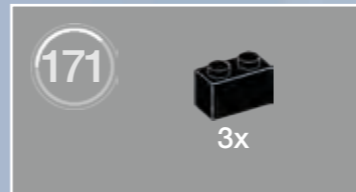
169



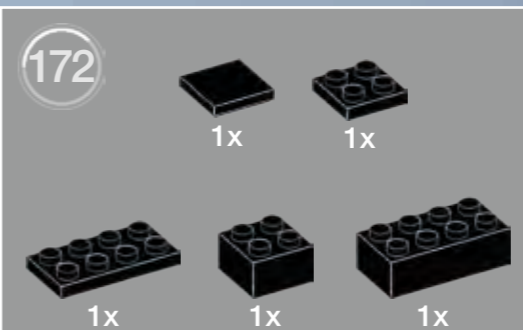
170



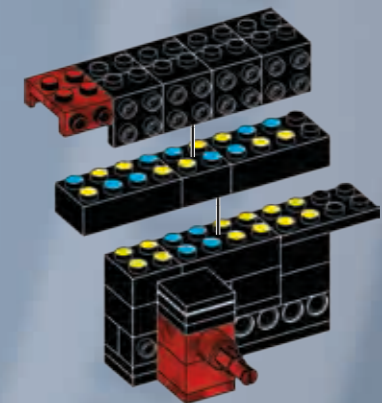
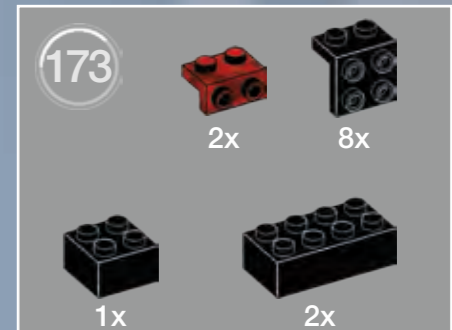
171



172



173



174

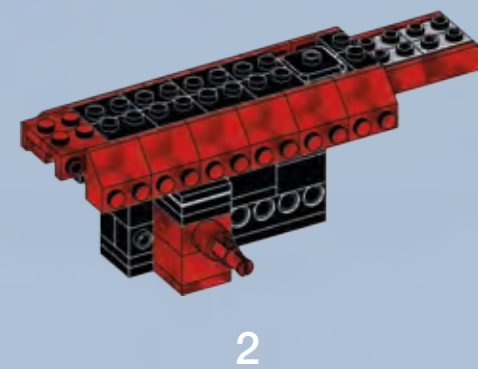
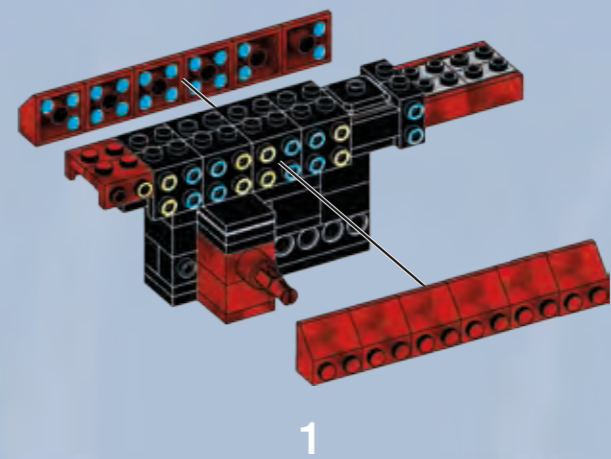
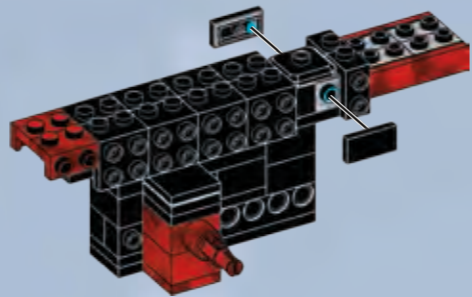
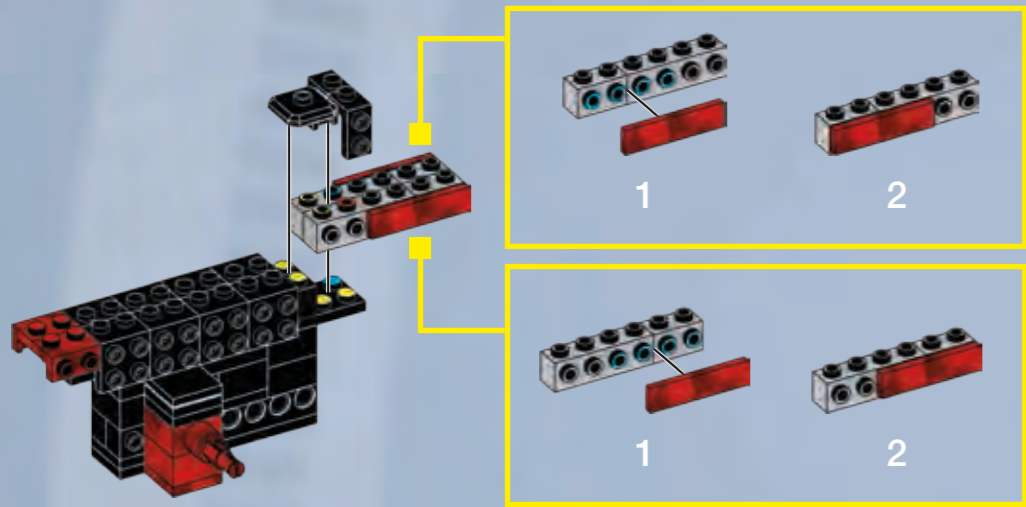
- 1x
- 2x
- 2x
- 2x
- 2x

175

- 2x

176

- 12x



177

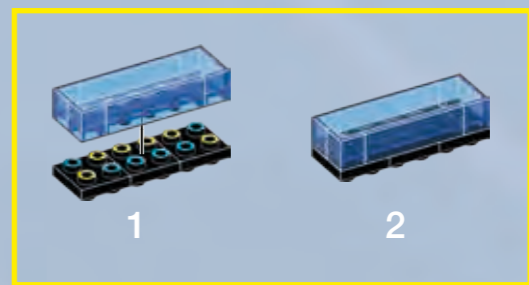
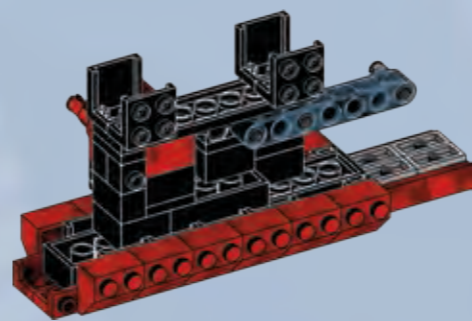
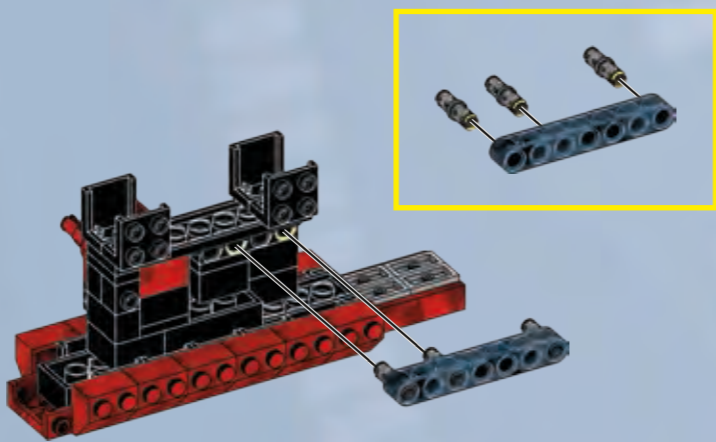
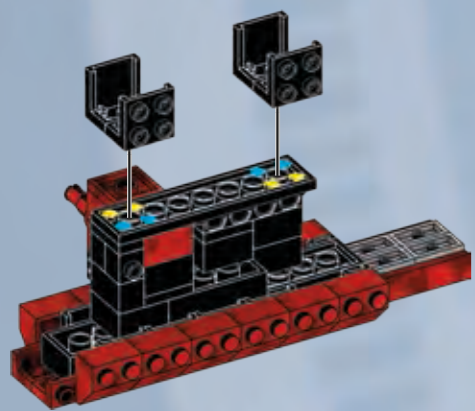
- 4x

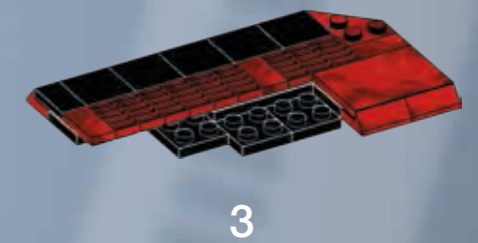
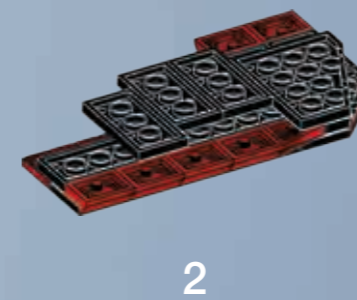
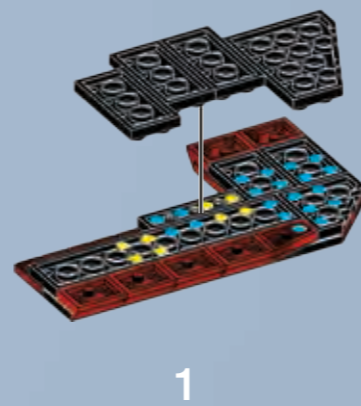
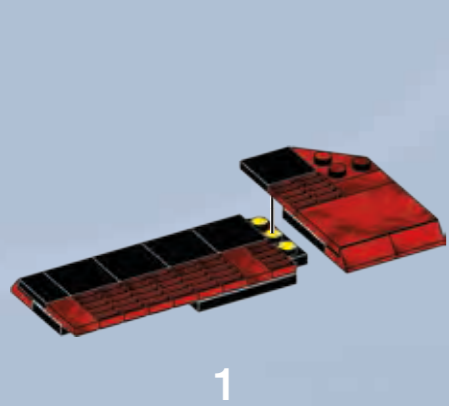
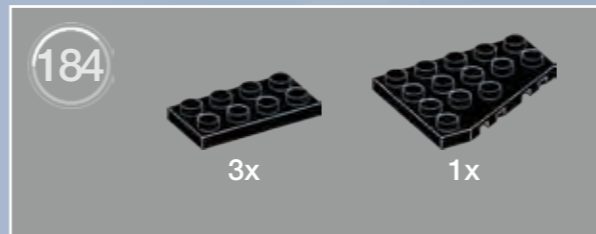
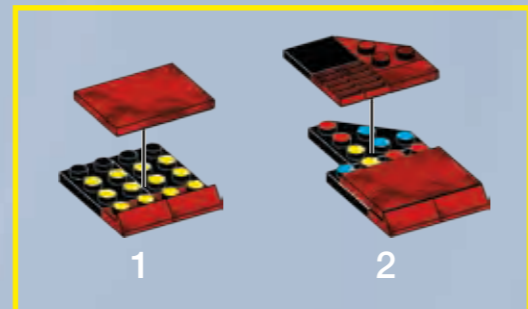
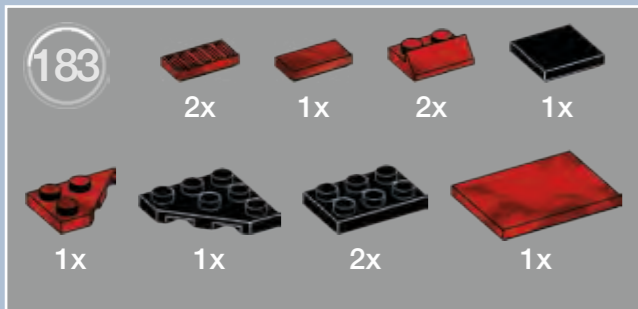
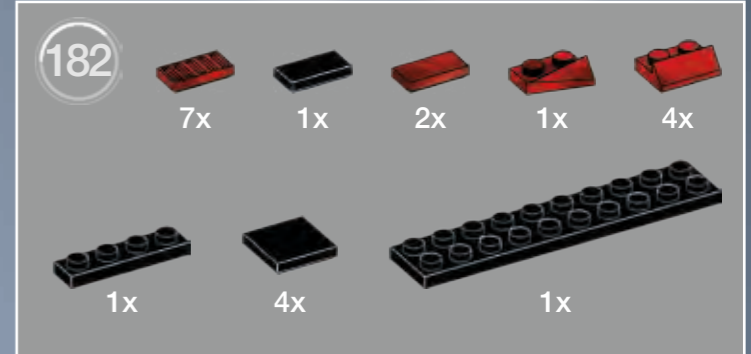
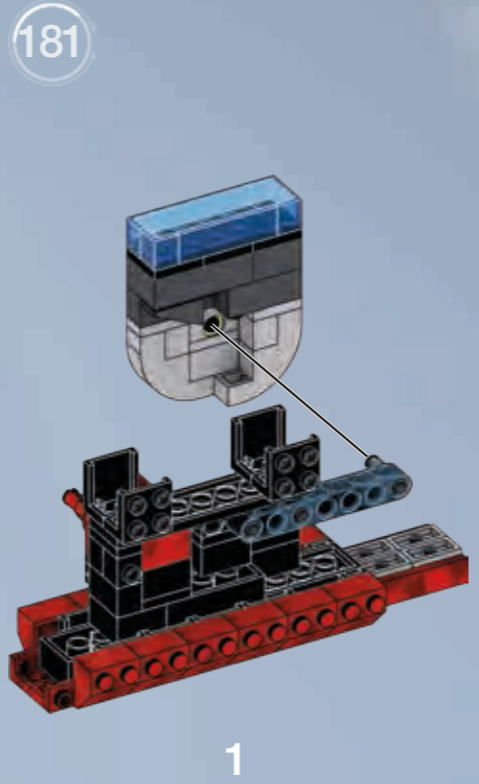
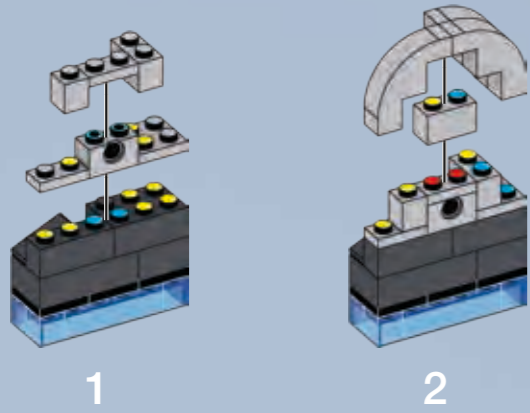
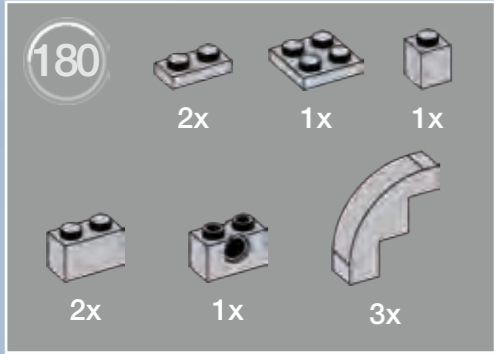
178

- 3x
- 1x

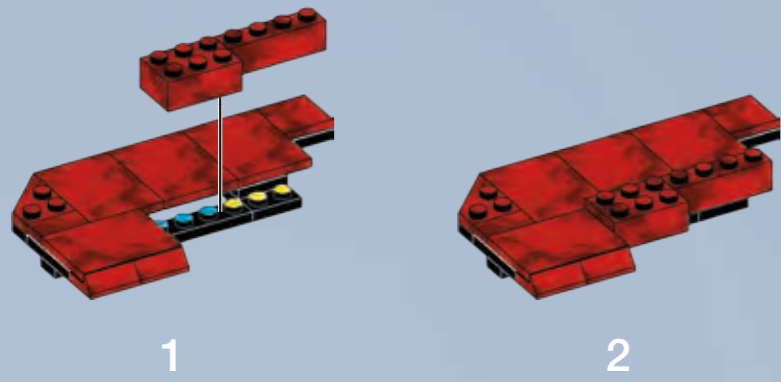
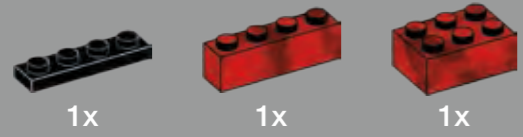
179

- 4x
- 1x
- 3x
- 1x
- 1x
- 1x
- 2x
- 1x

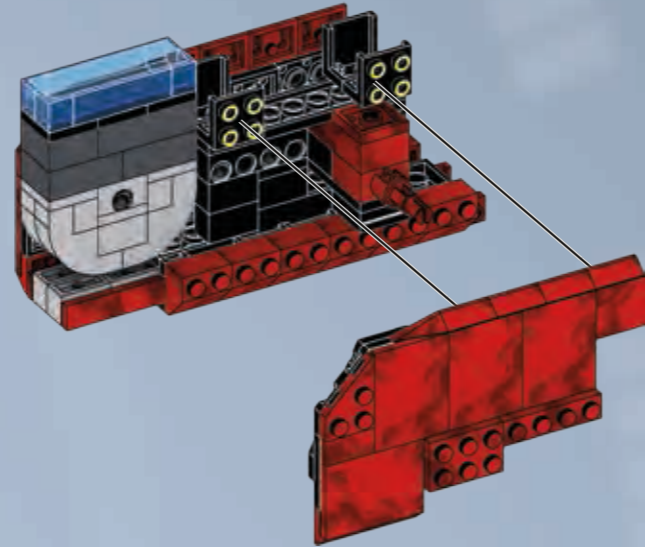




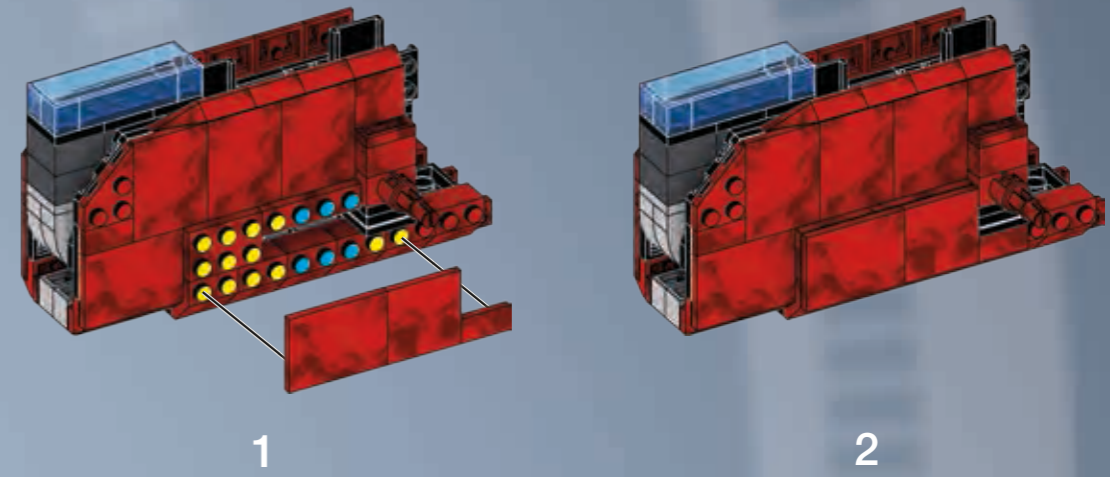
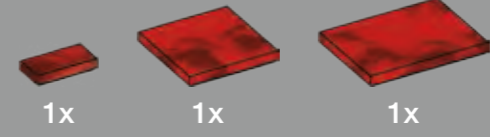
191



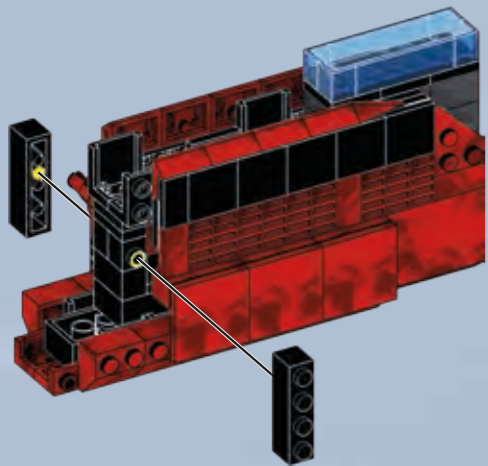
192



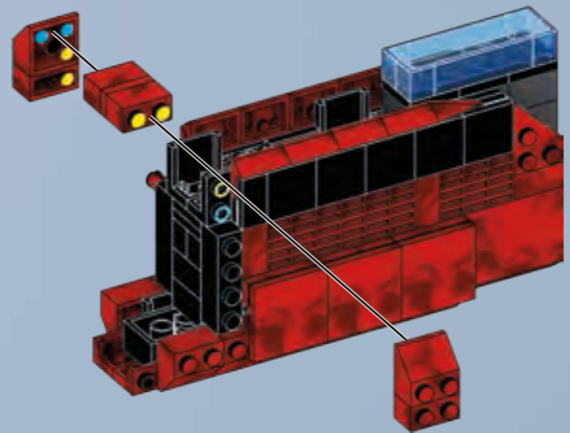
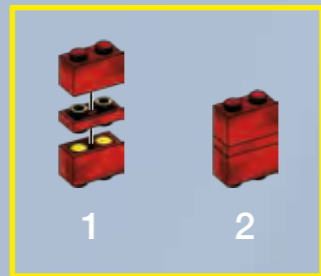
193



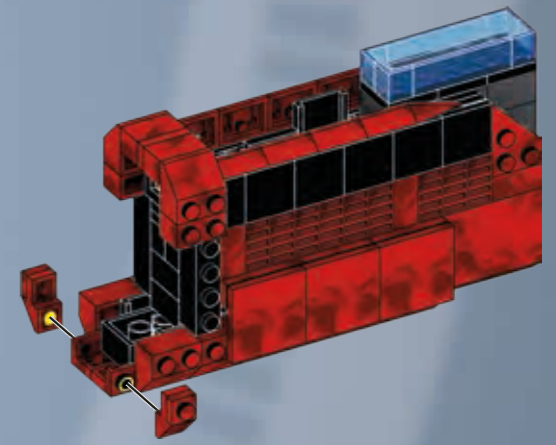
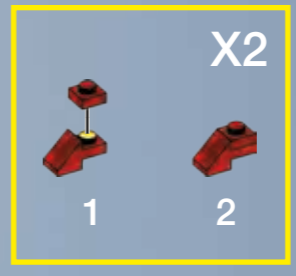
194

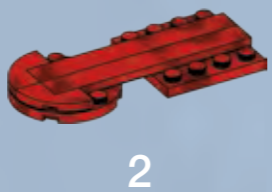
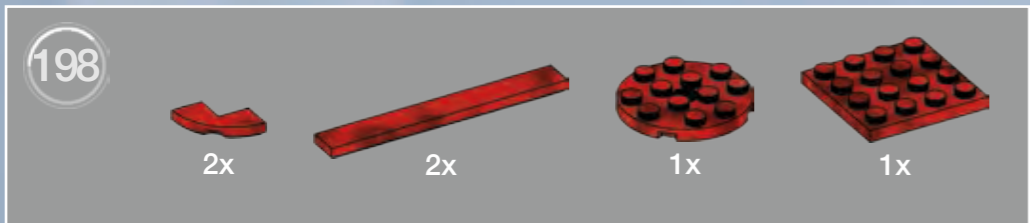
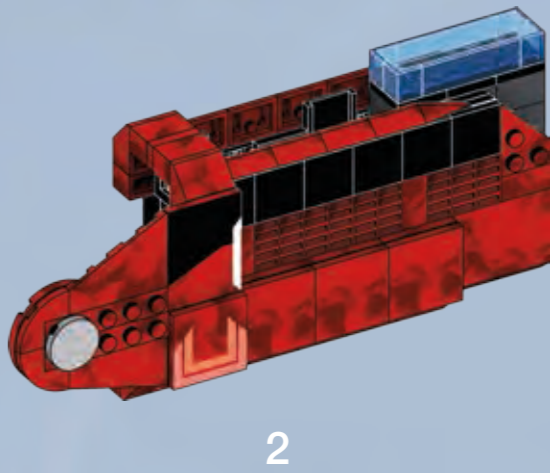
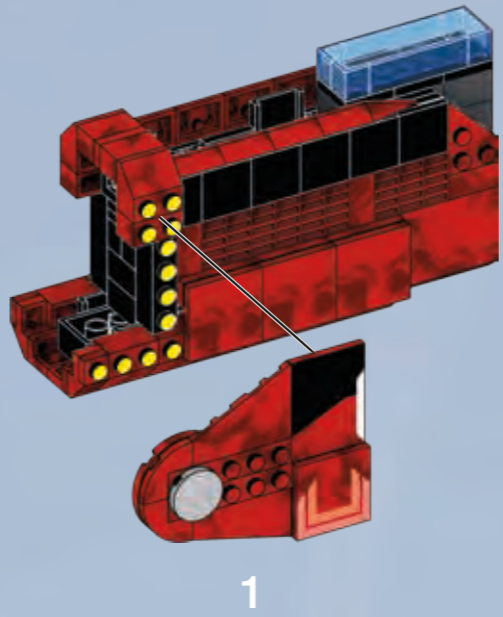
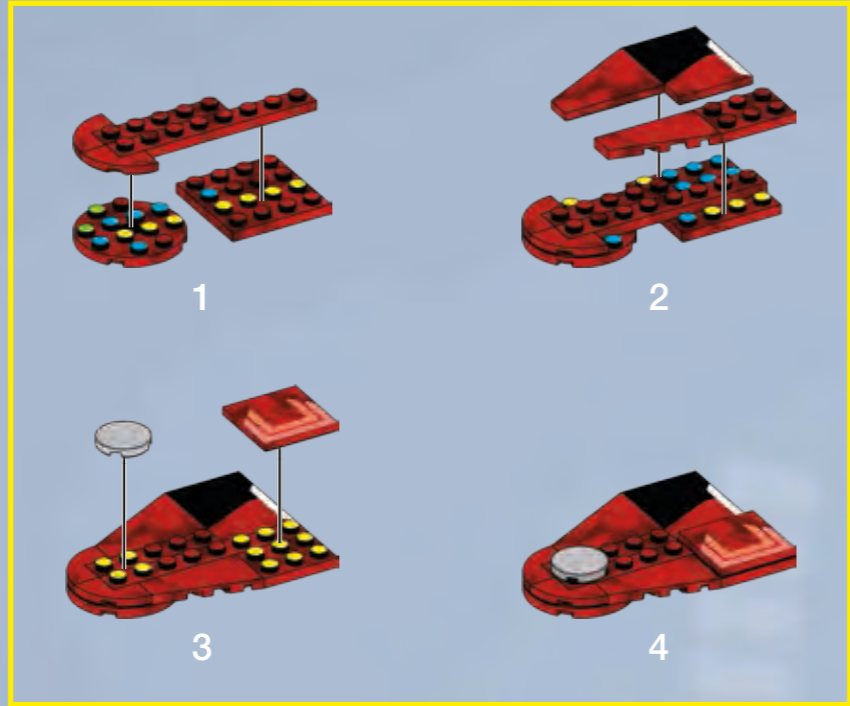


195

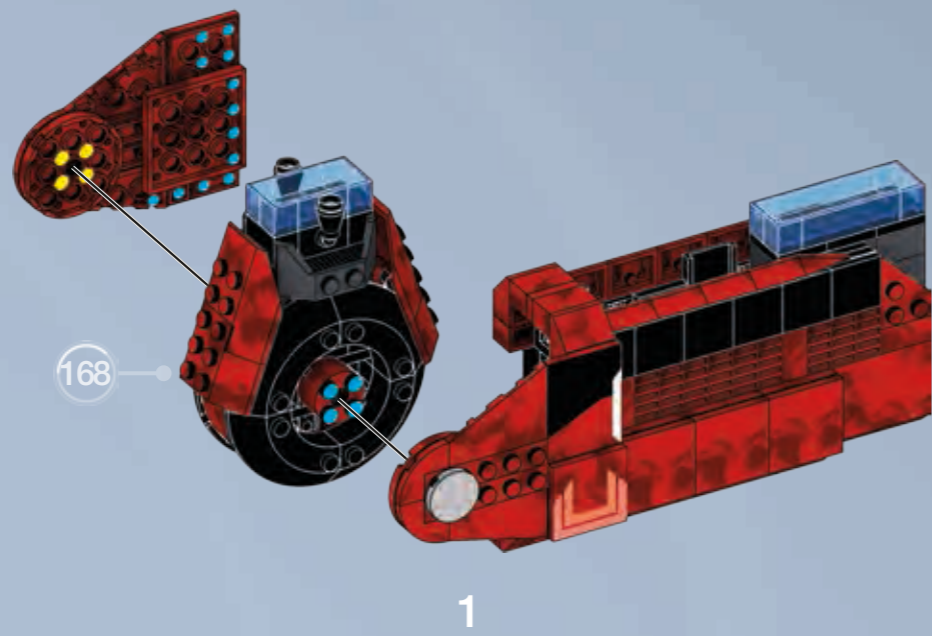


196

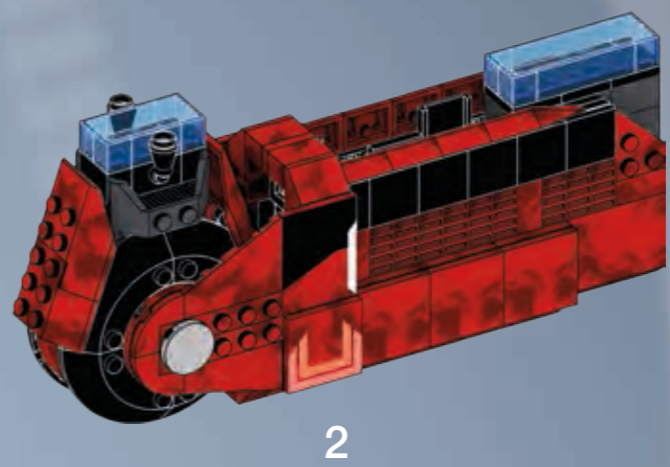




200

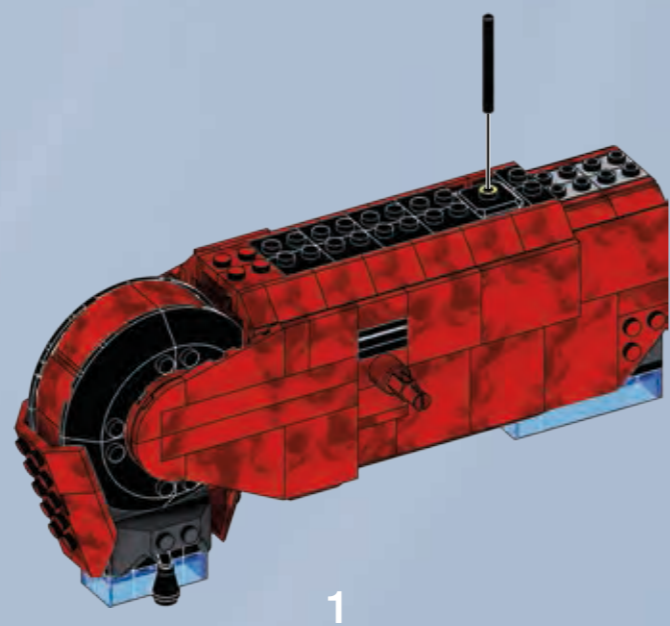


1

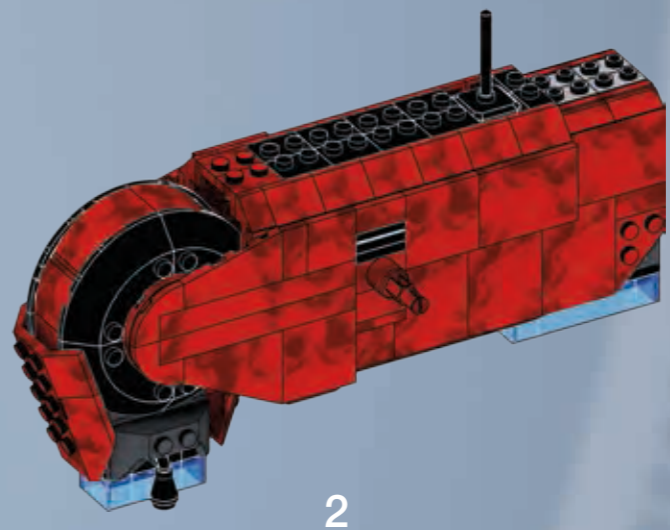


2

201
1x

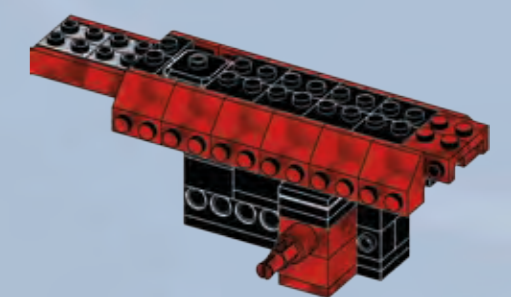
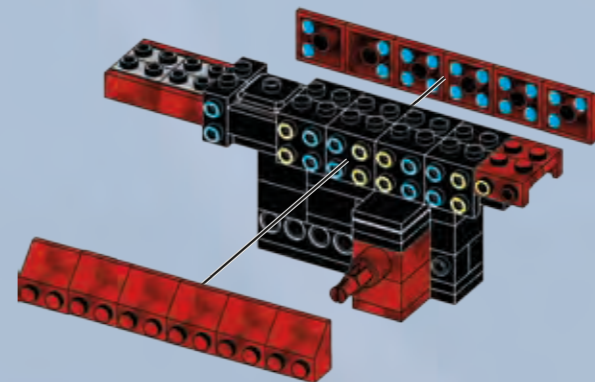
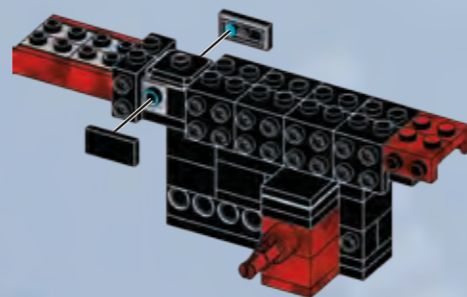
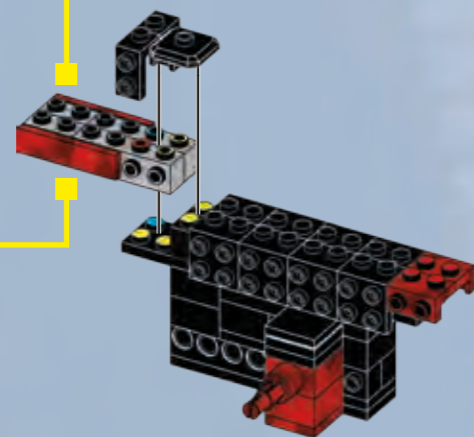
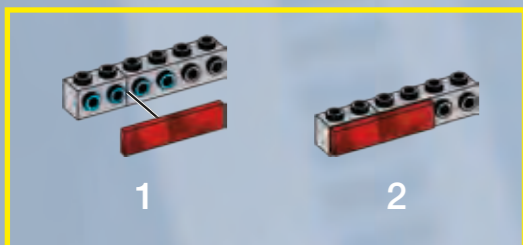
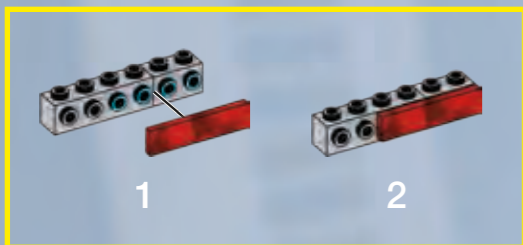
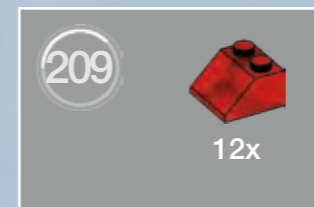
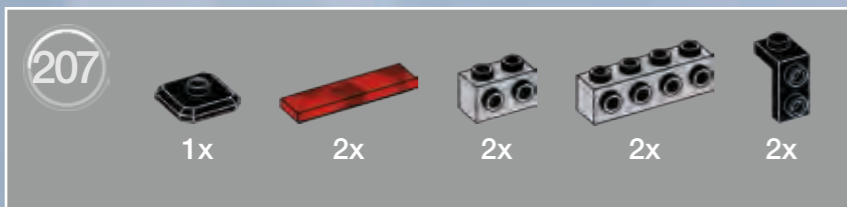
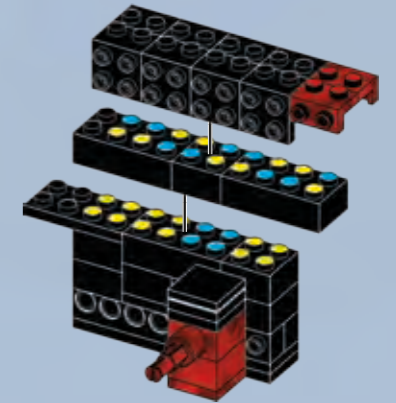
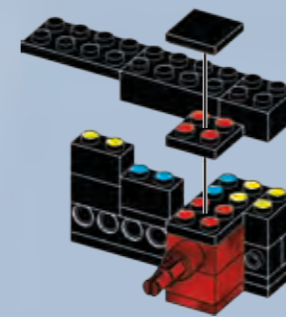
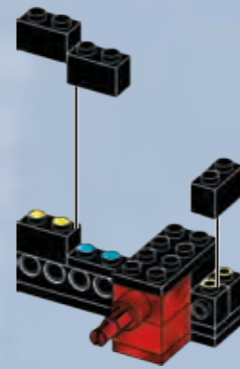
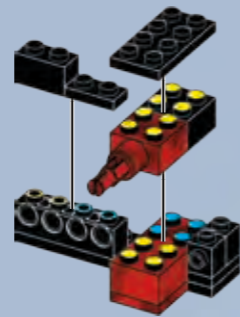
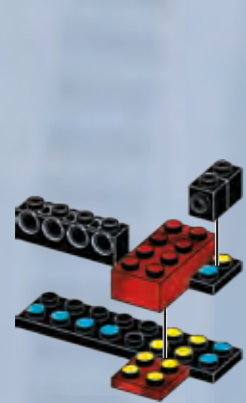
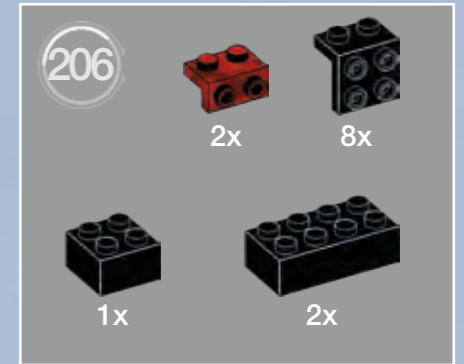
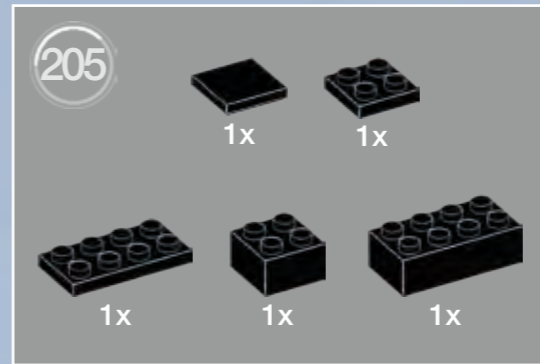
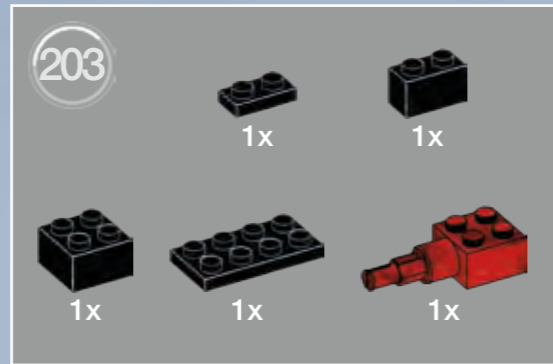
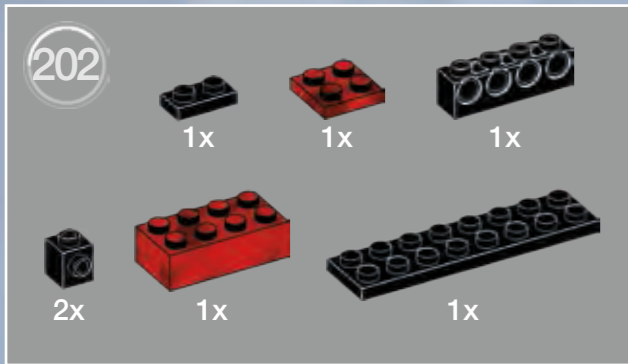


1



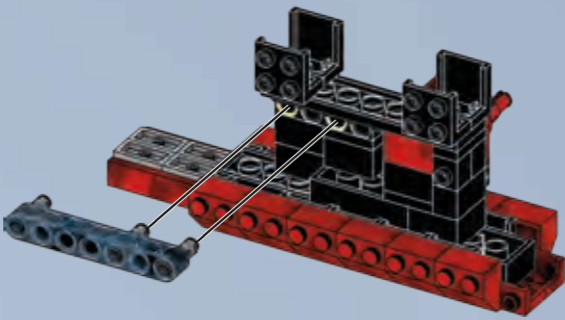
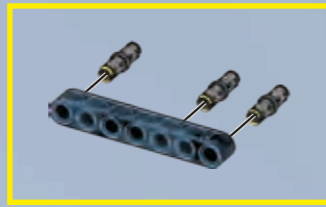
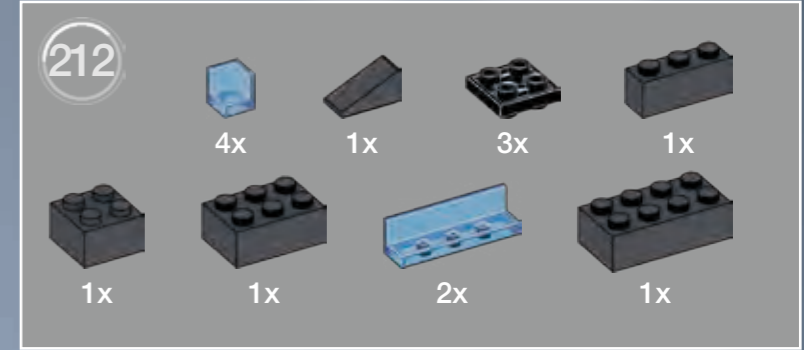
2

3

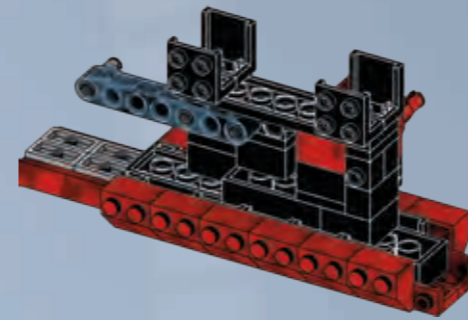


1

2



1

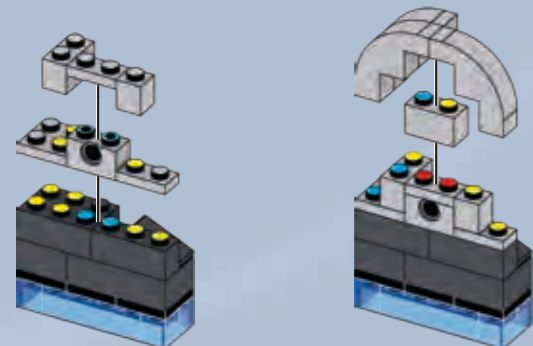
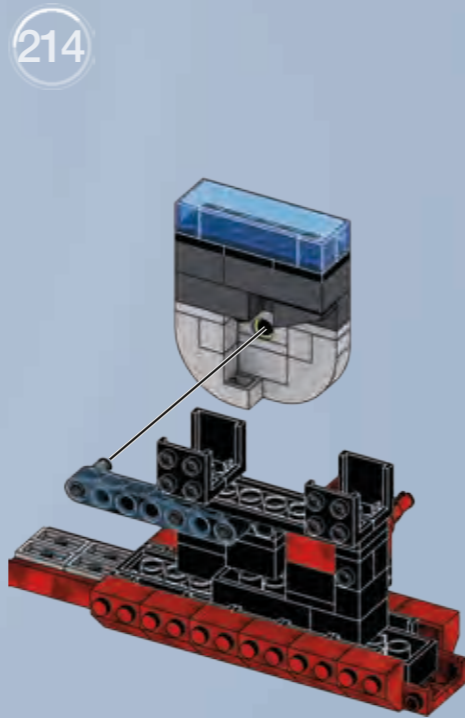
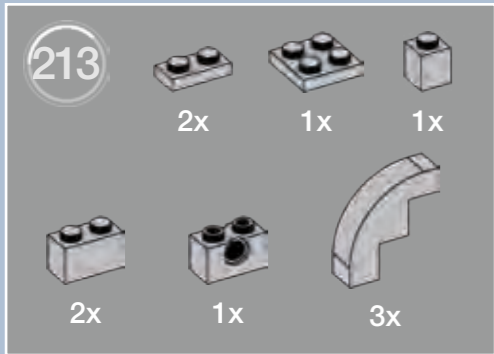


2



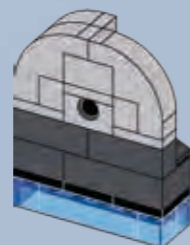
1

2

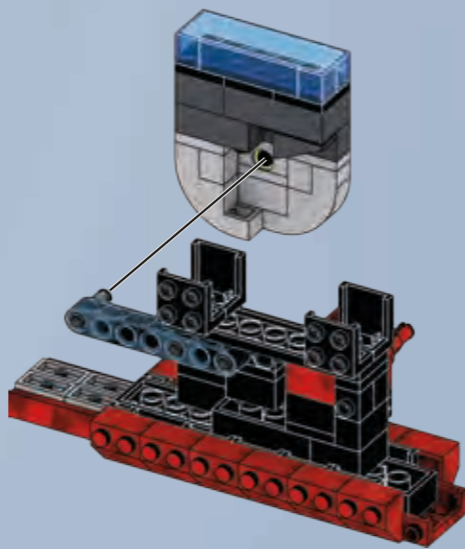


1

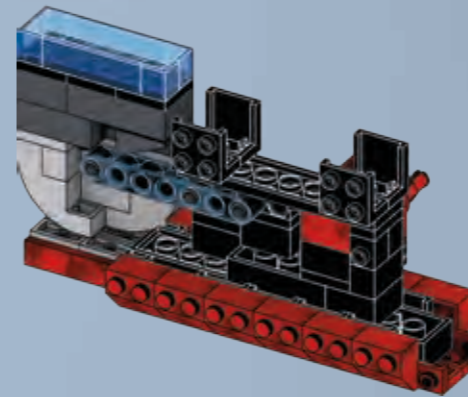
2



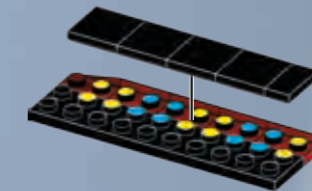
3



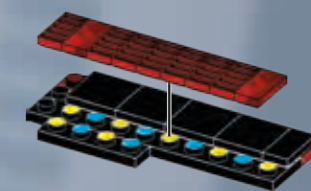
1



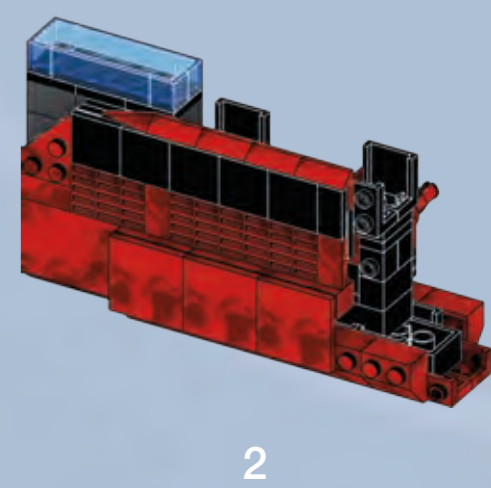
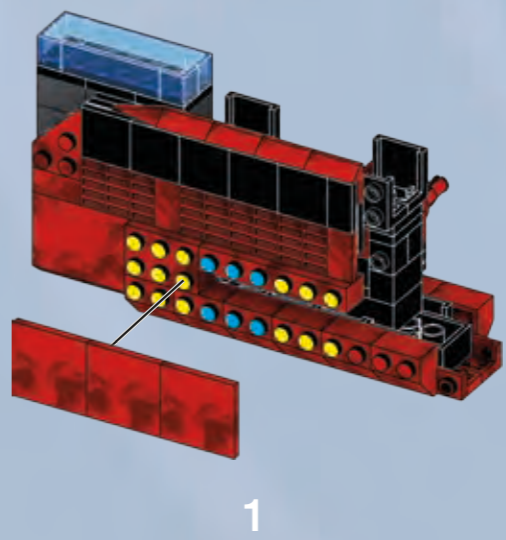
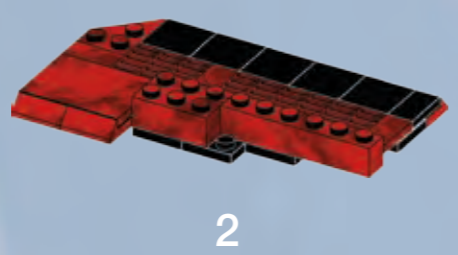
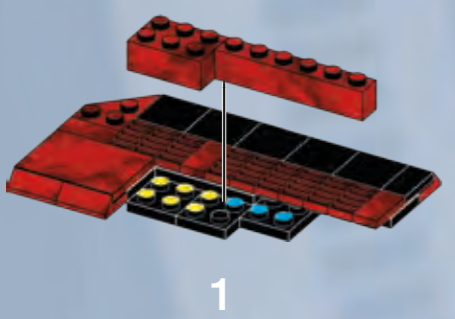
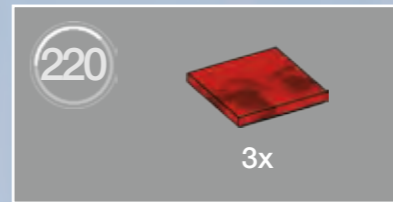
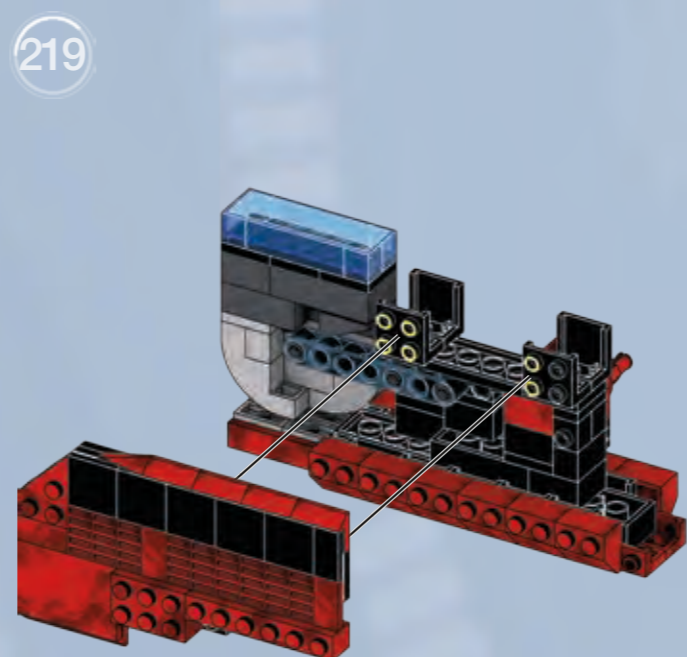
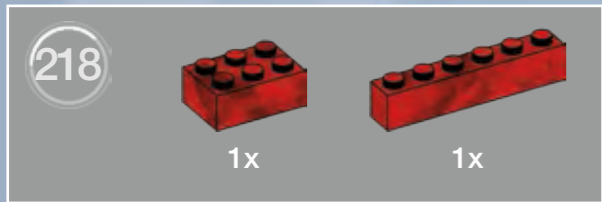
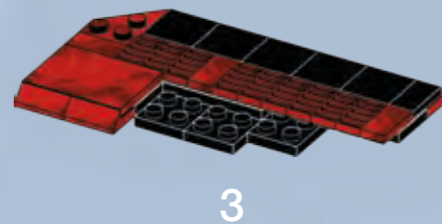
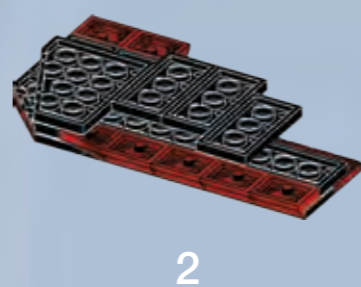
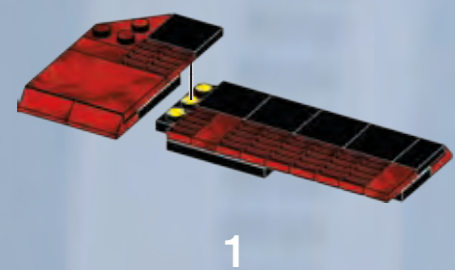
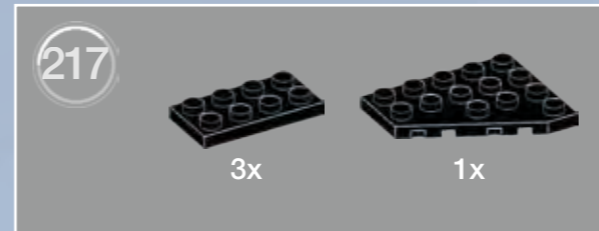
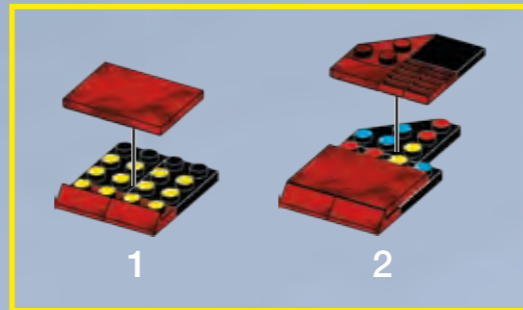
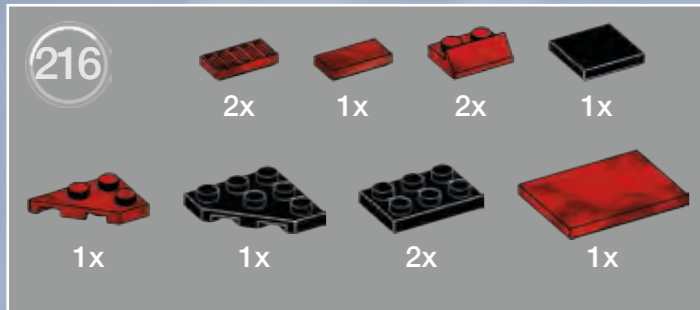
2

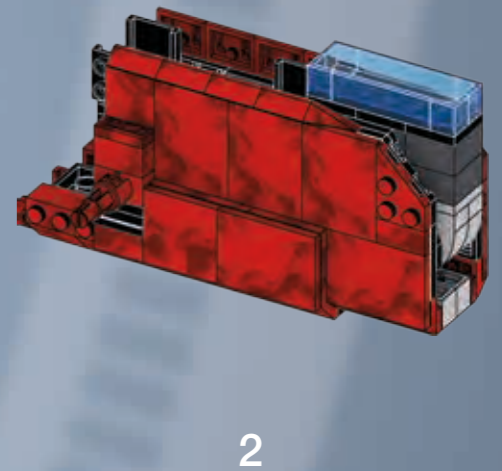
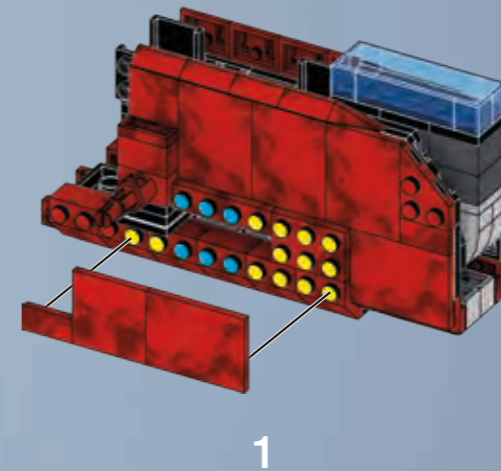
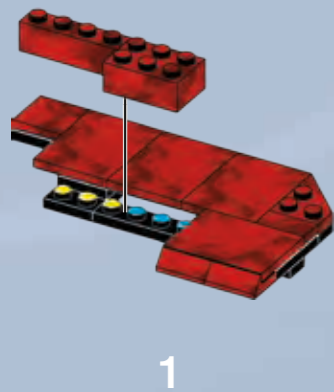
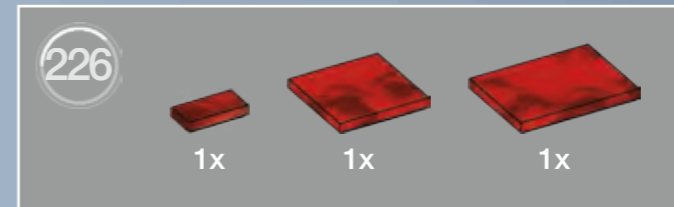
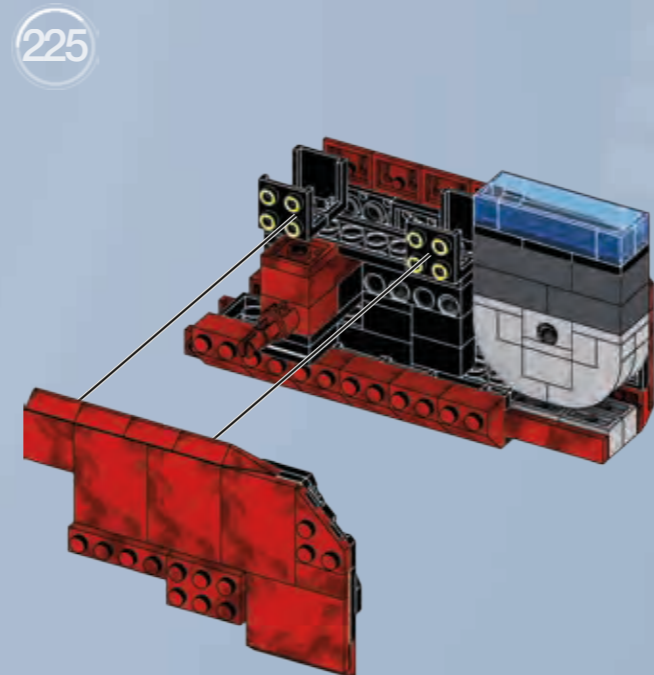
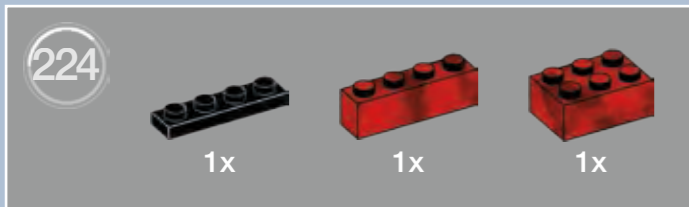
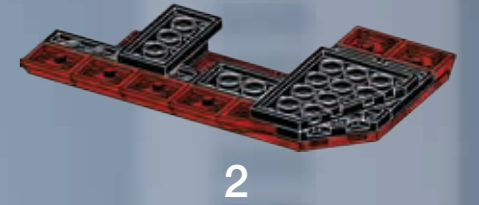
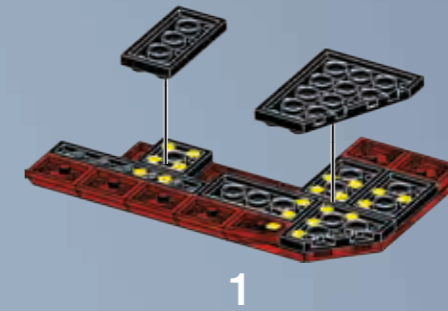
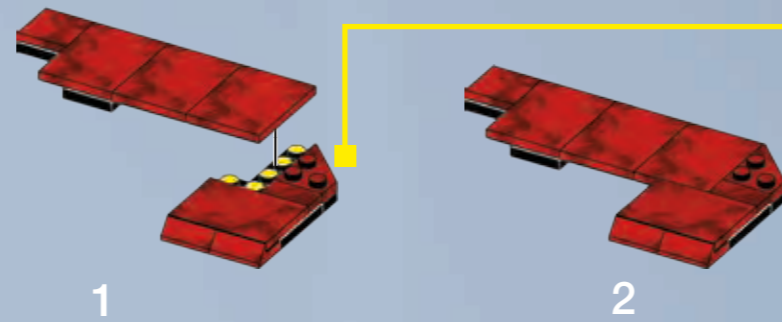
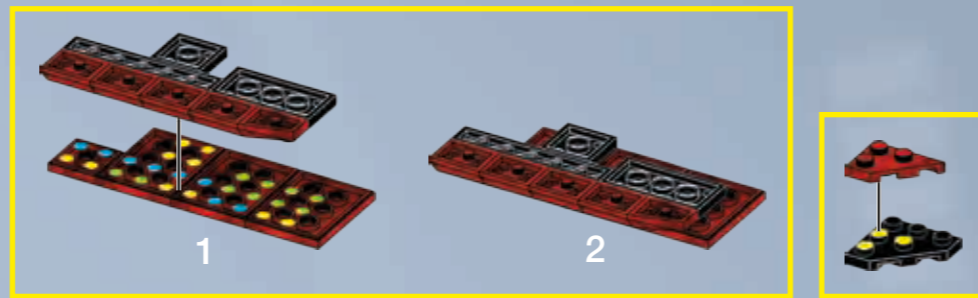
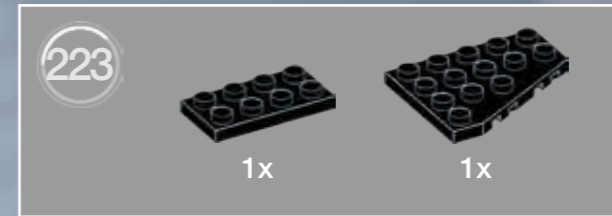
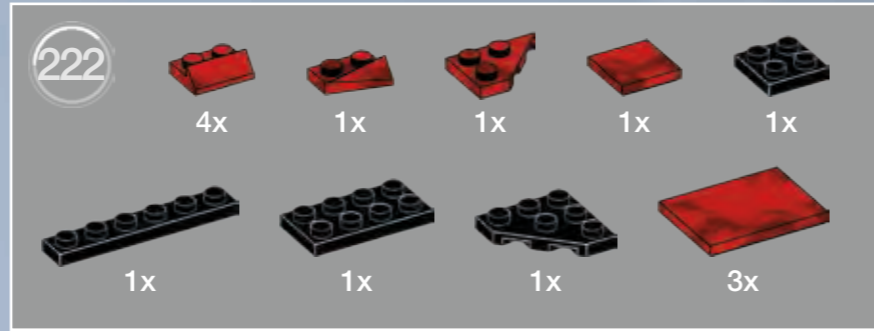
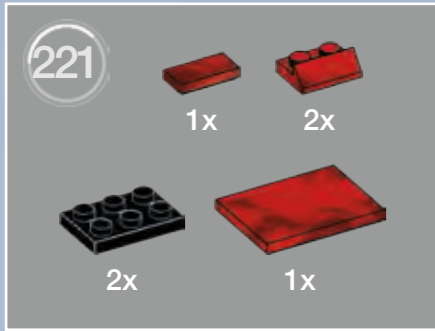


1

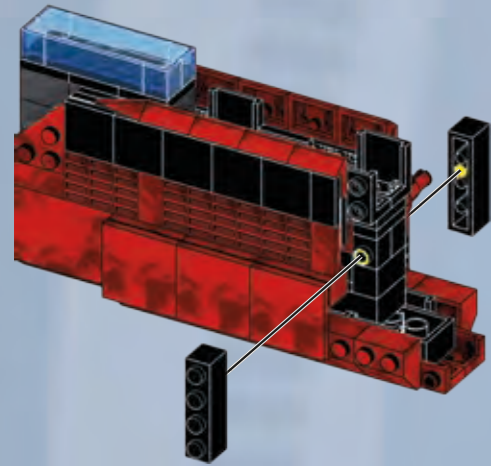


2



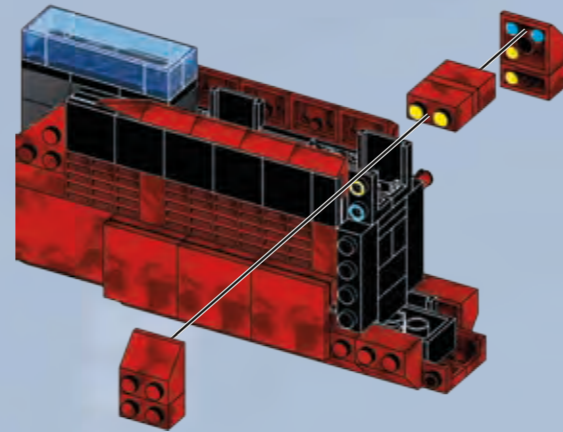


227
2x



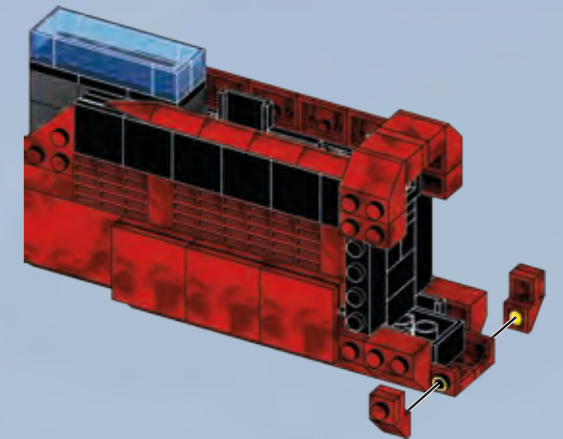
228
1x 4x 2x

1 2



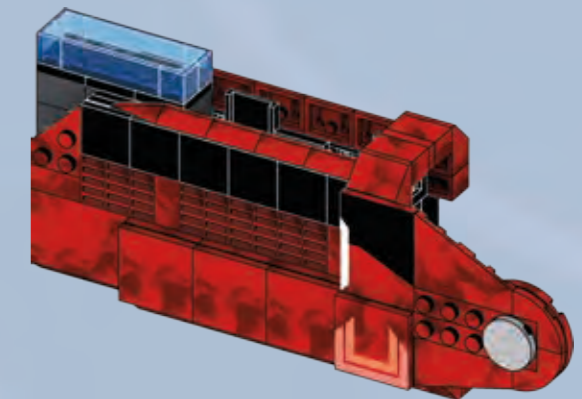
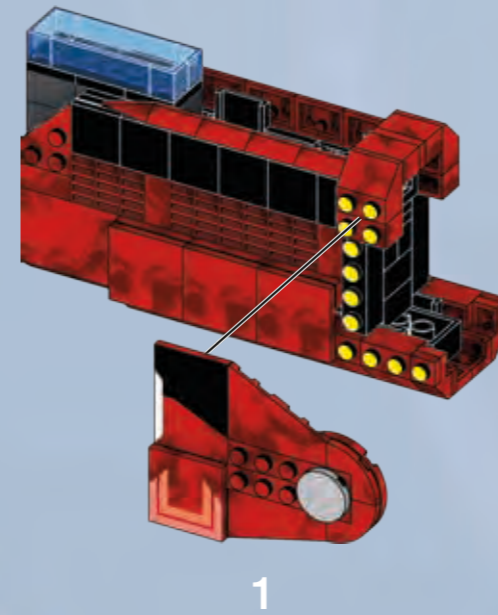
229
2x 2x

X2
1 2



230

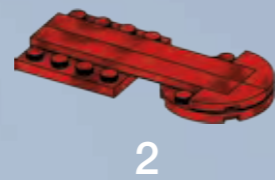
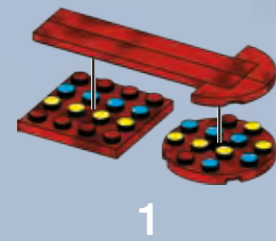
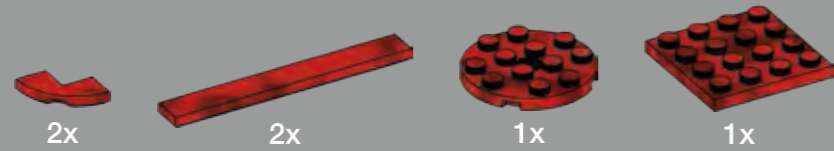
1 2
3 4



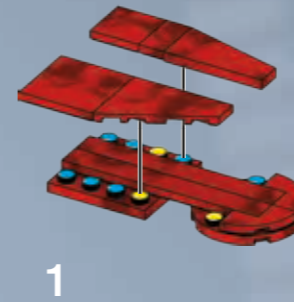
2

3

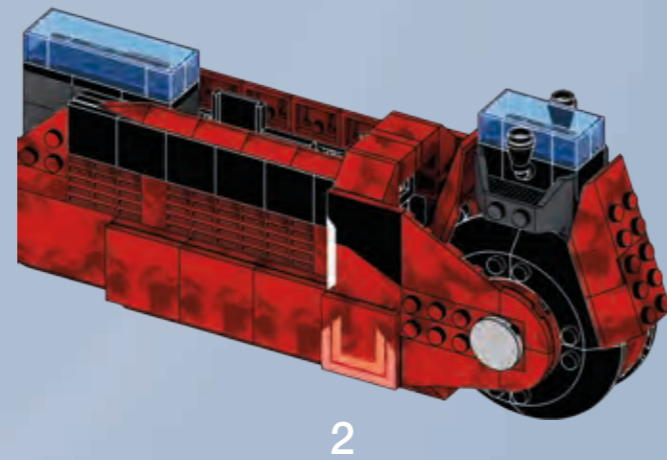
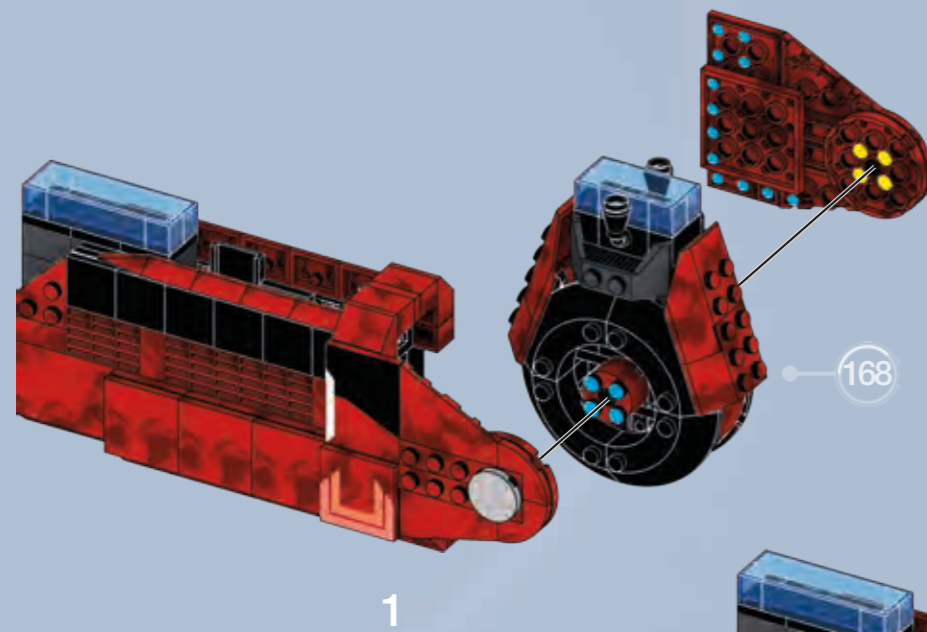
231



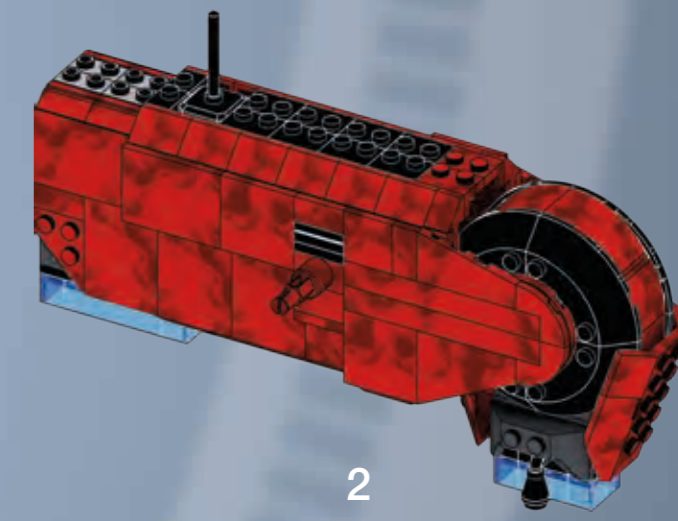
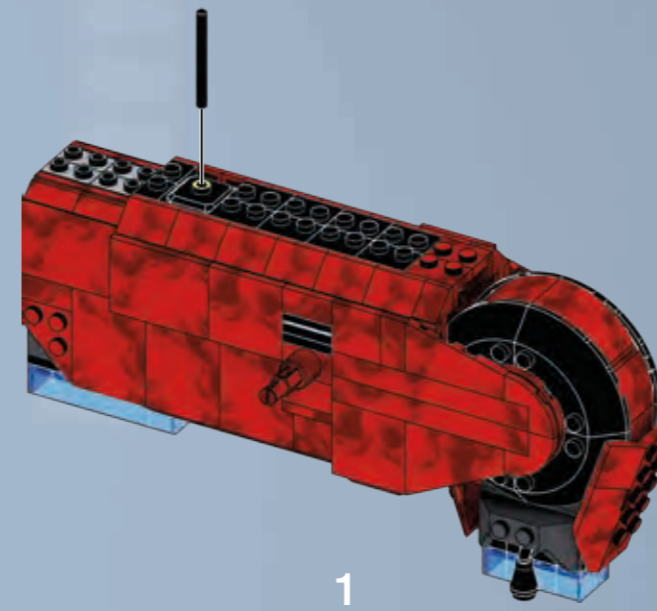
232



233



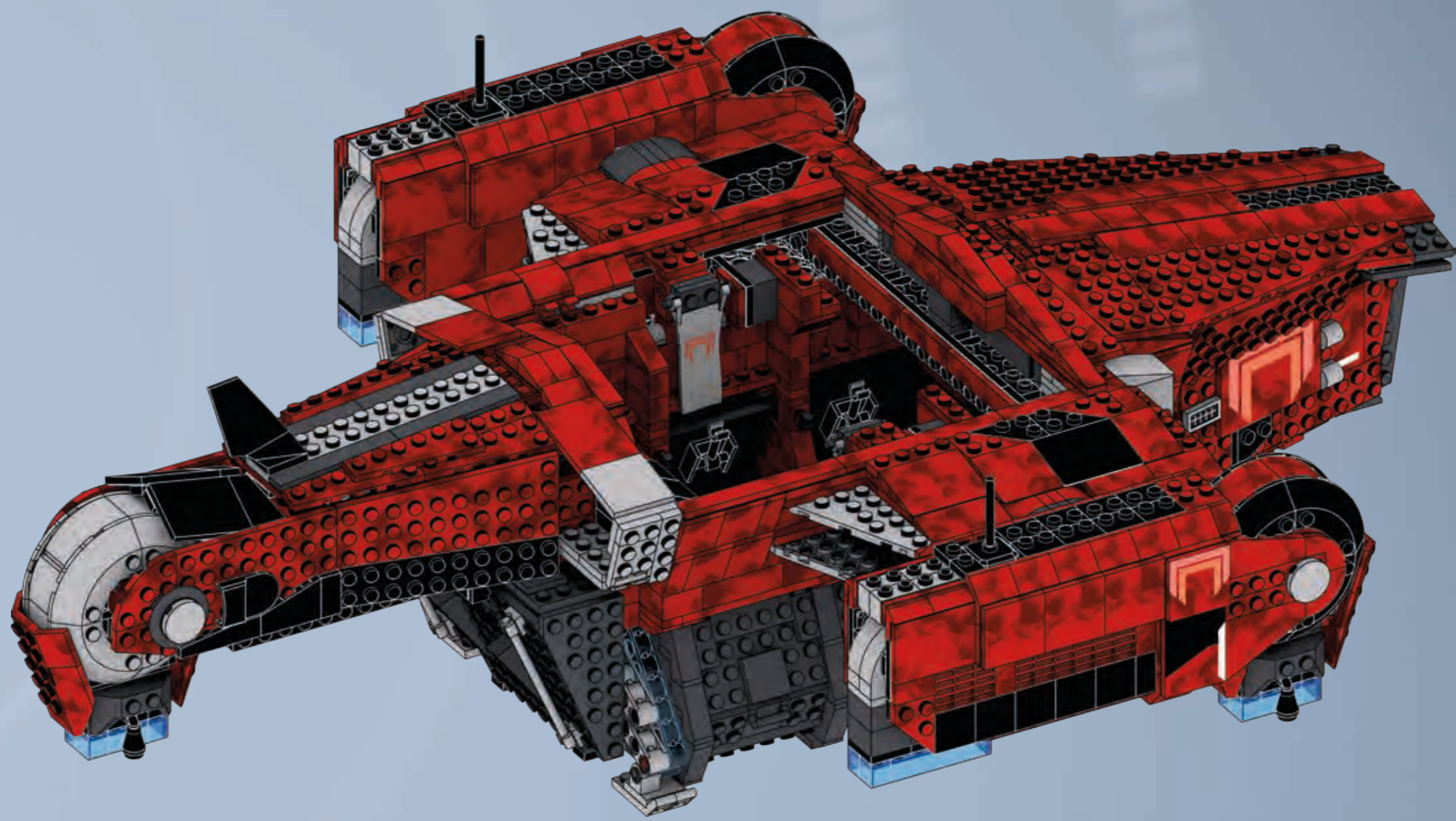
234



3



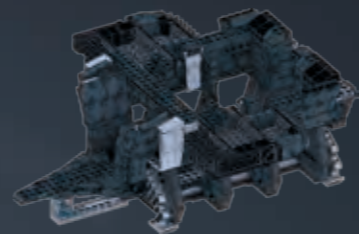
3



2

3





4 - 33



34 - 63





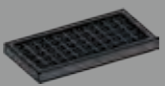

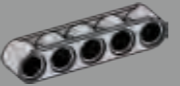
64 - 89

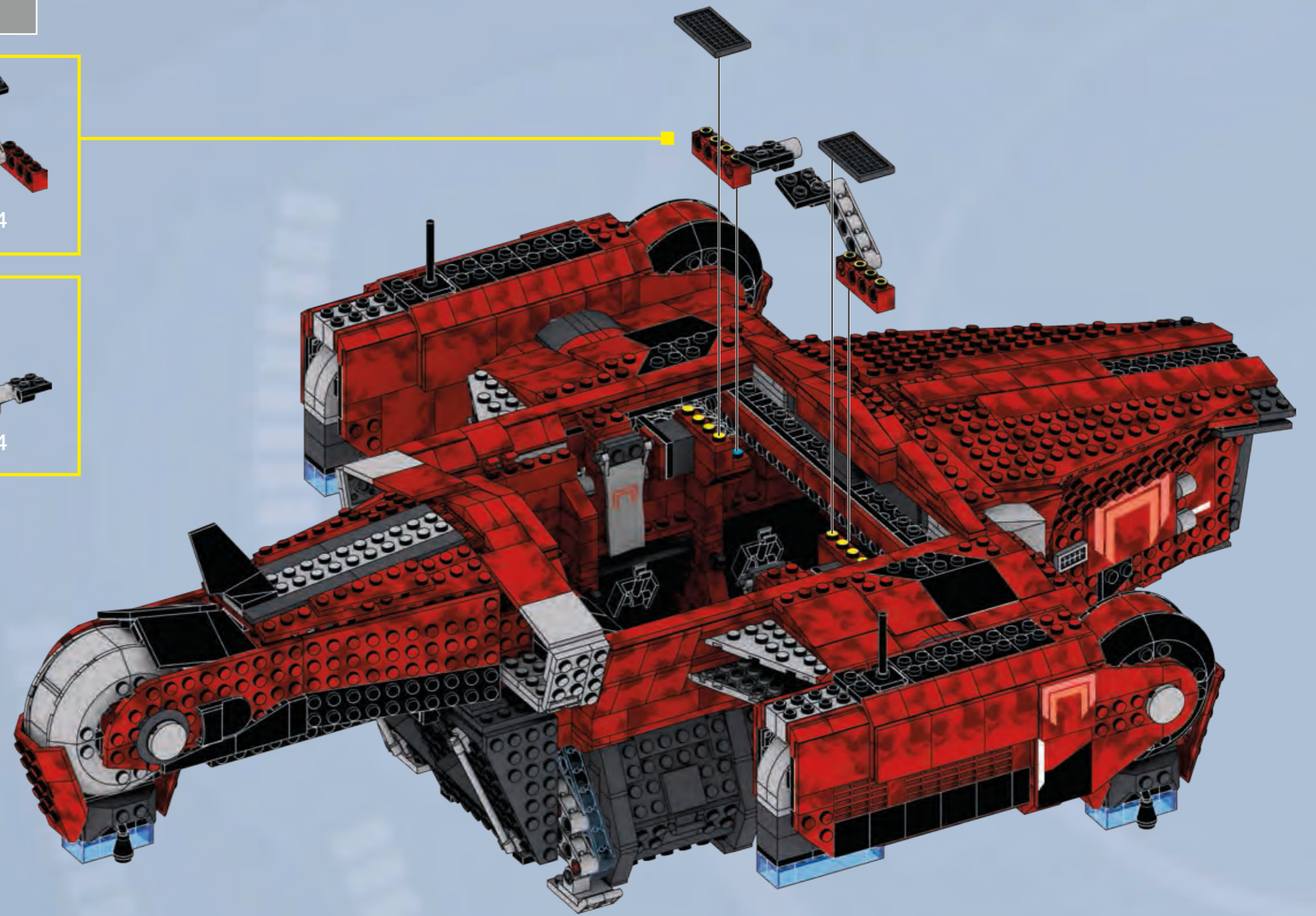
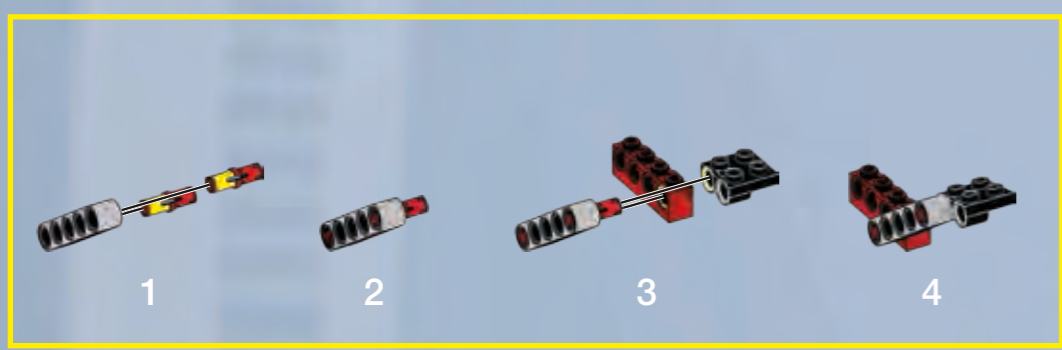
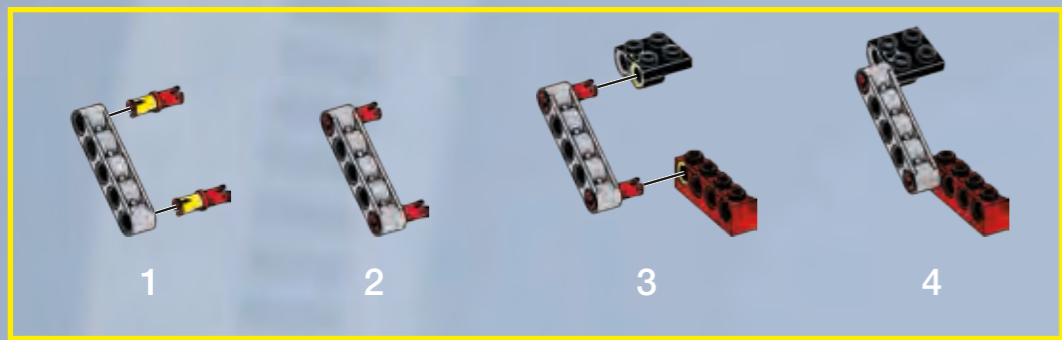


90 - 103

4

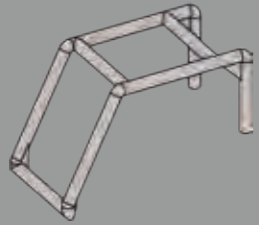
236

- 4x 
- 2x 
- 2x 
- 2x 
- 2x 

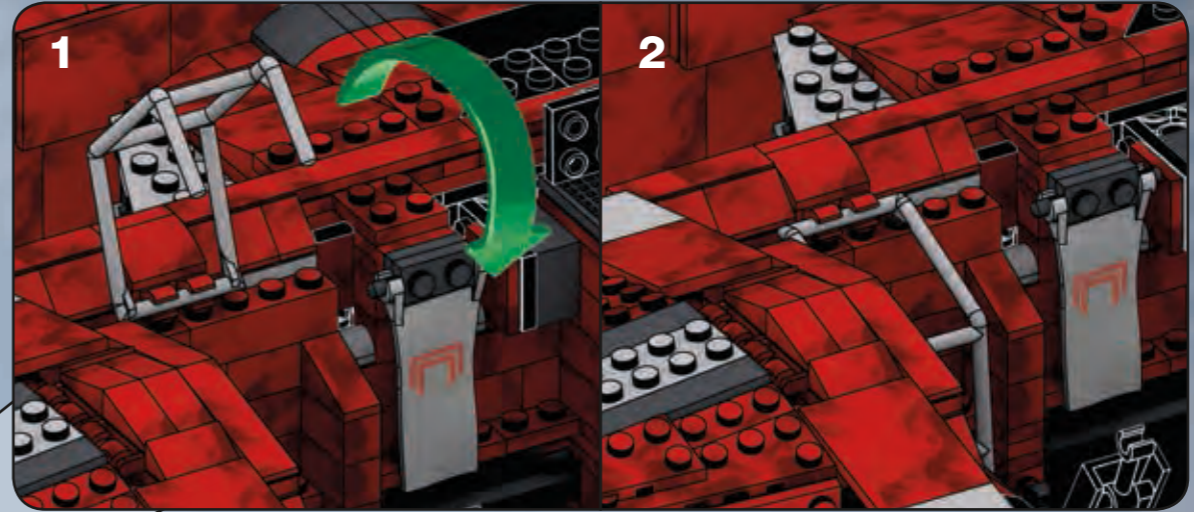
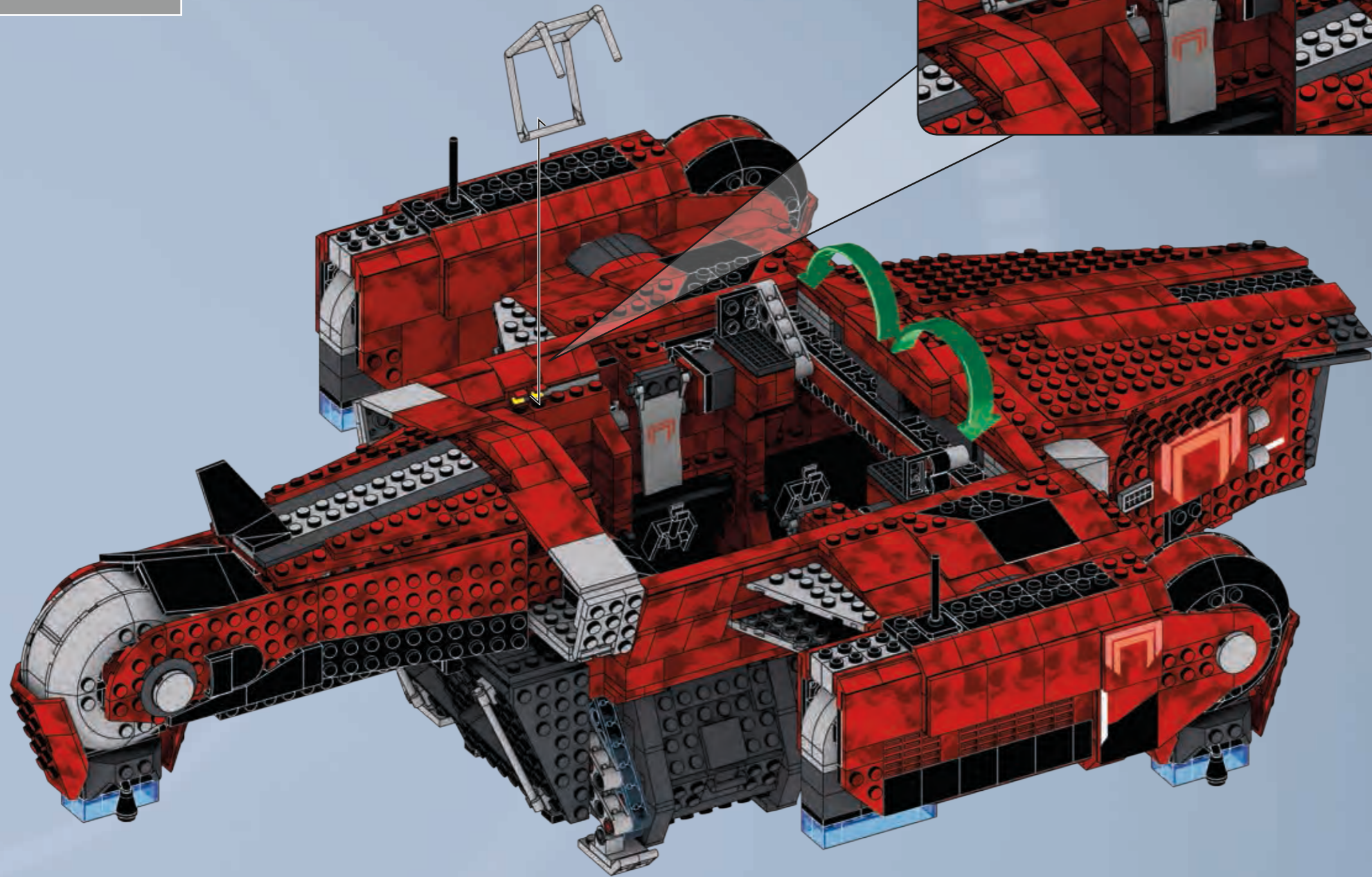


4

237



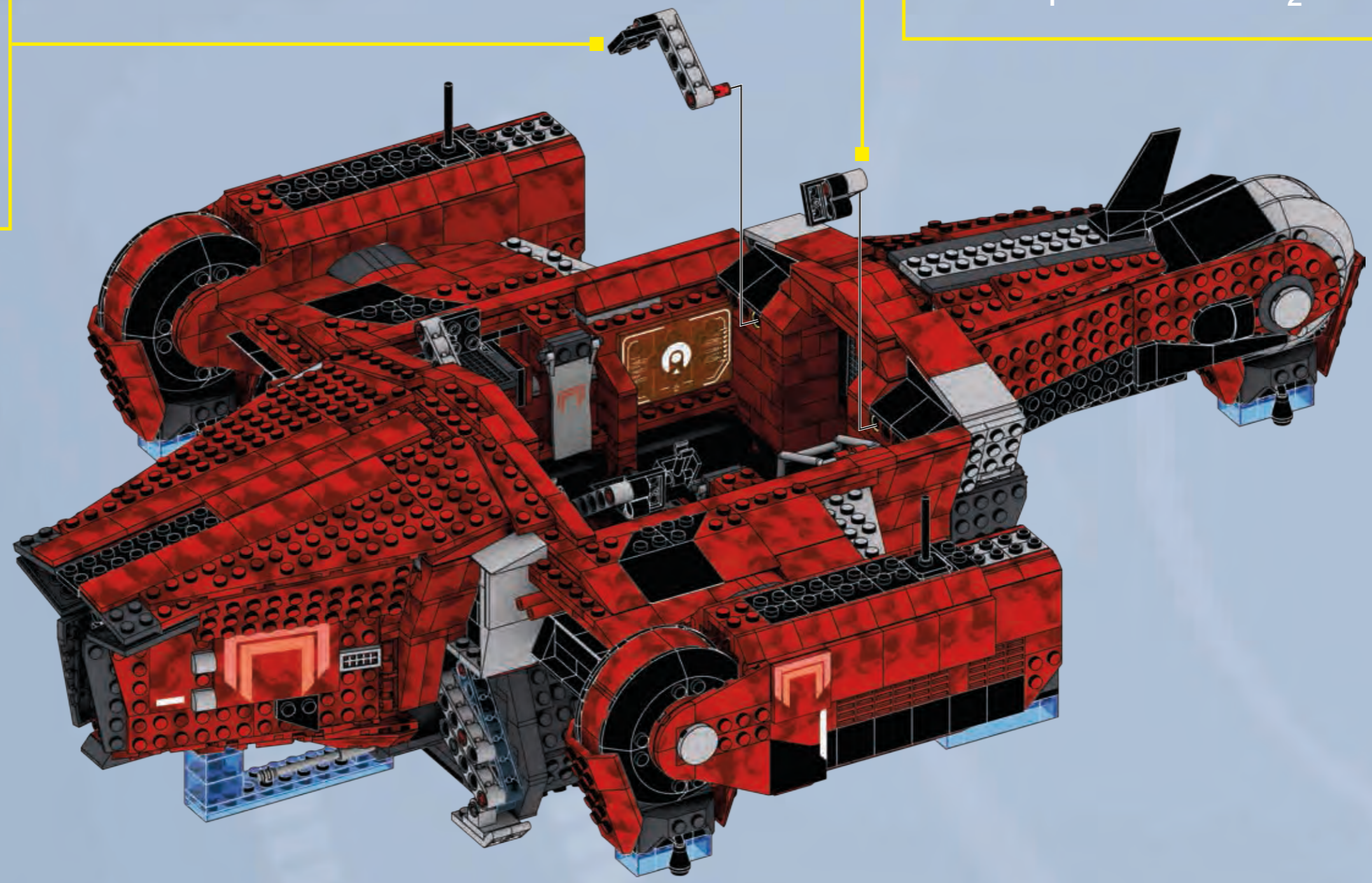
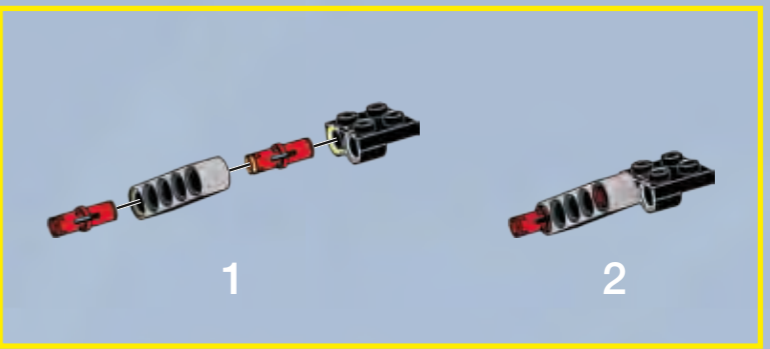
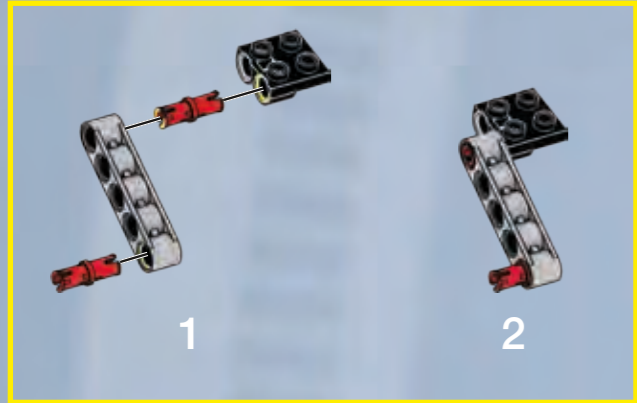
1x



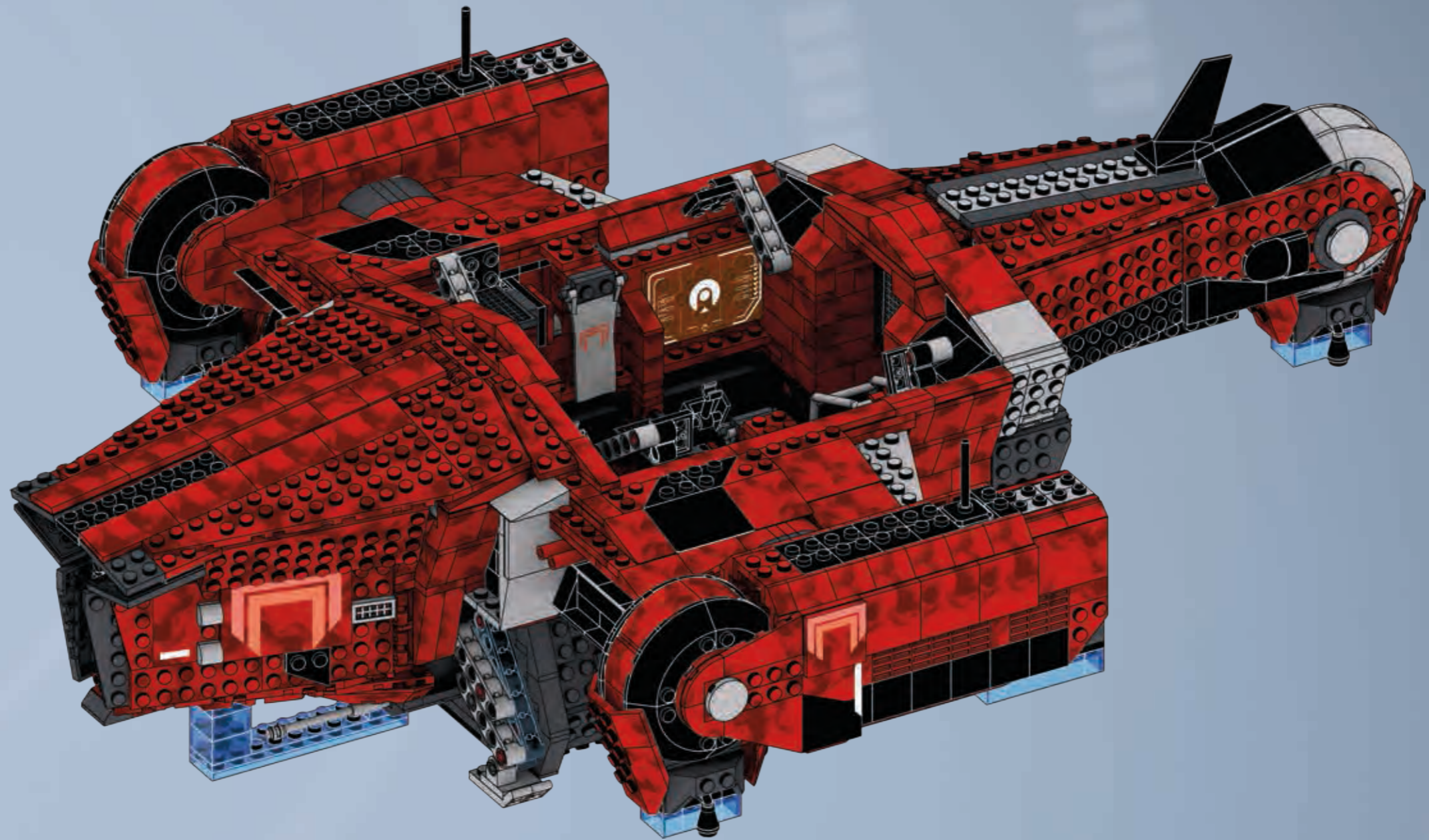
2

238

- 4x [red pin]
- 2x [black 2-way connector]
- 2x [grey 5-hole Technic beam]

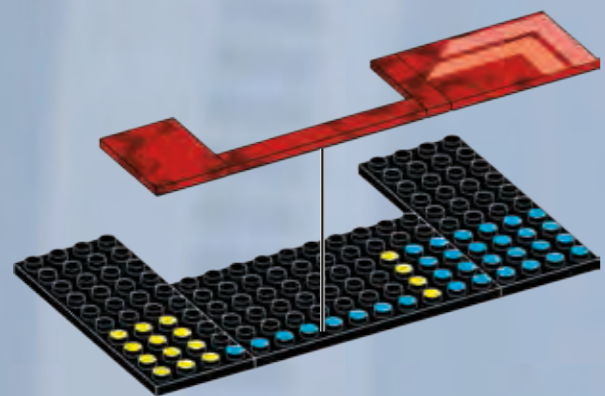
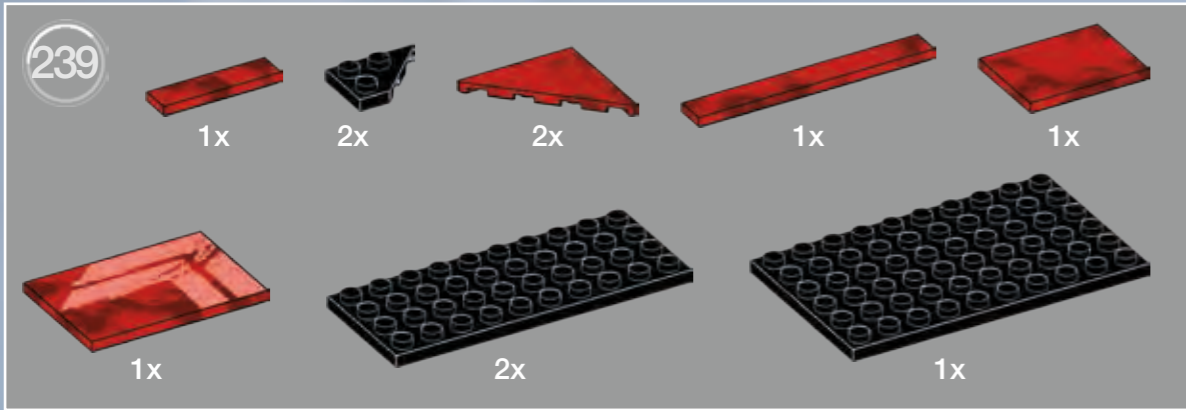


4

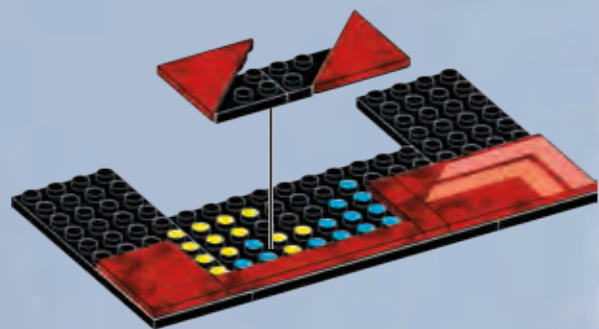


2

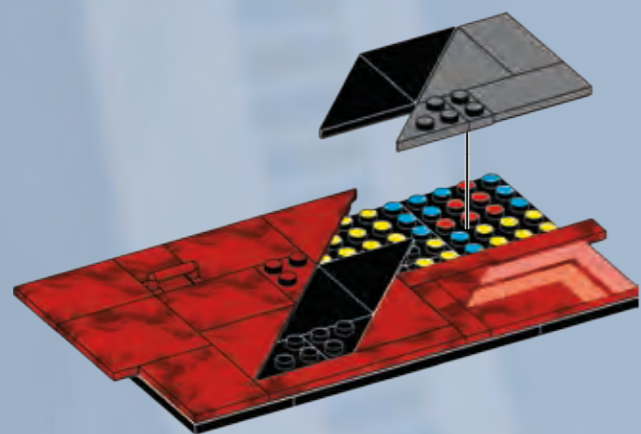
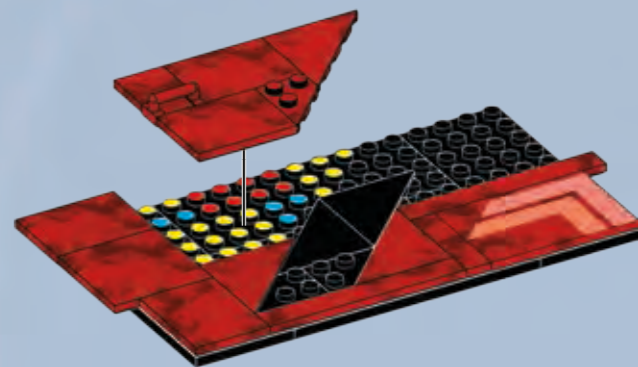
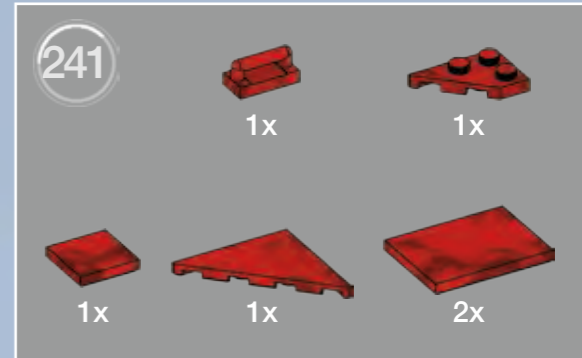
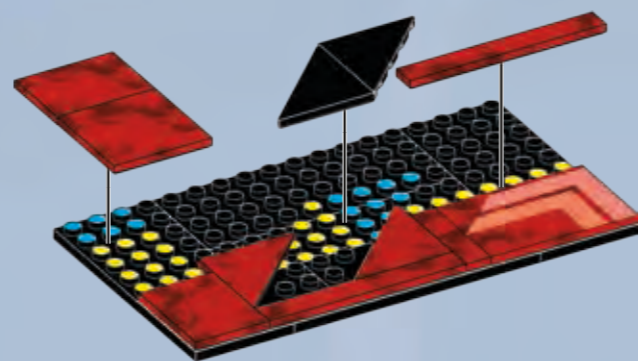
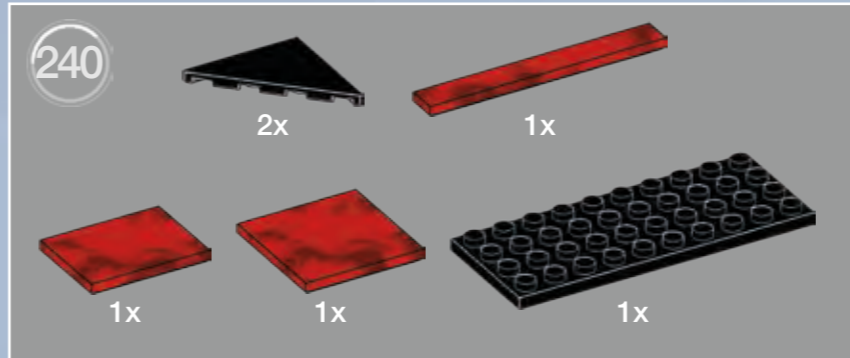
4



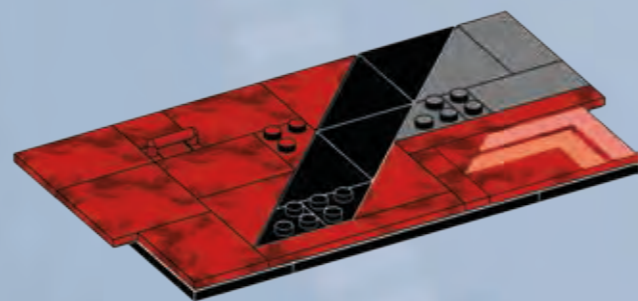
1



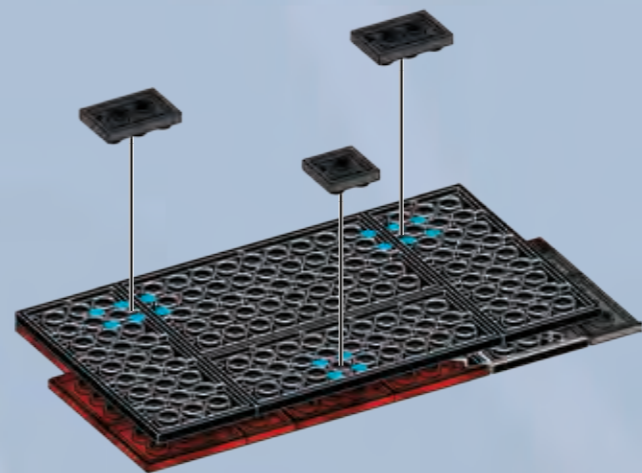
2



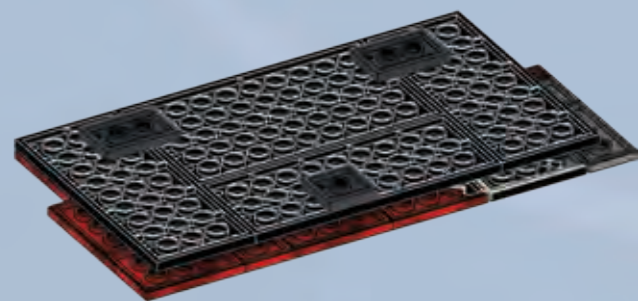
1



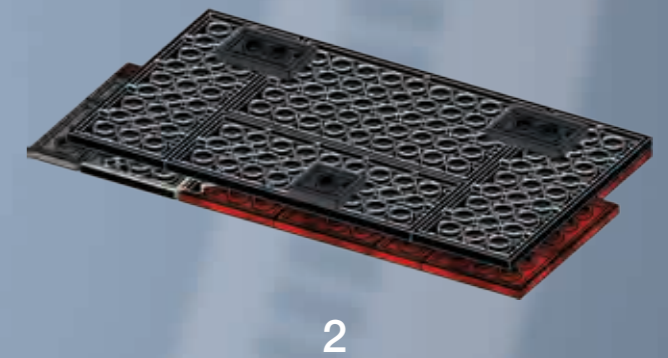
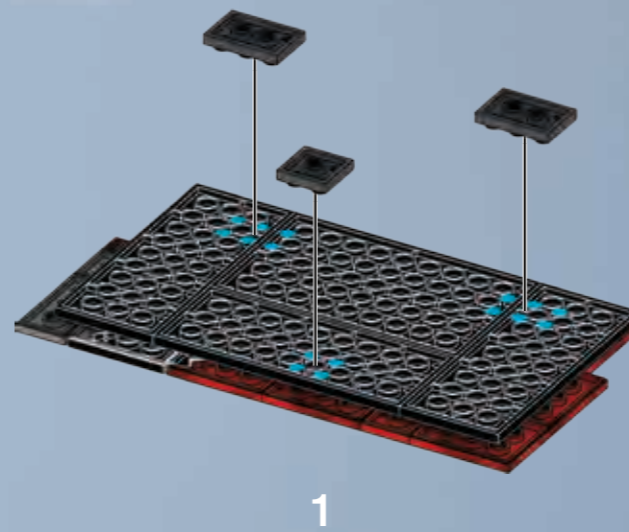
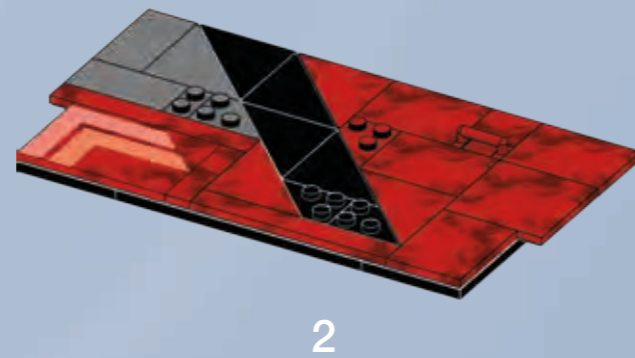
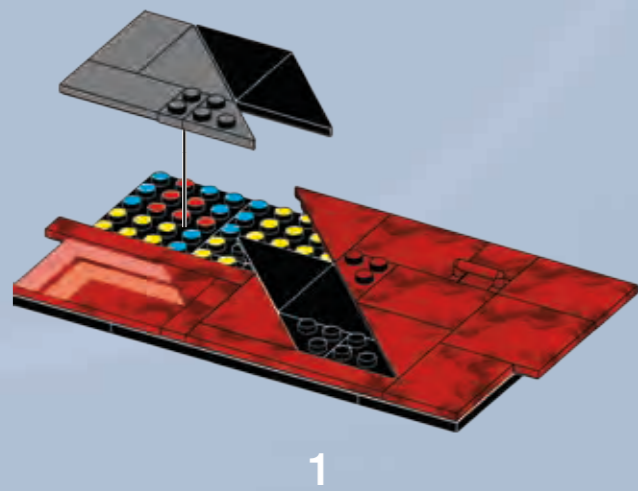
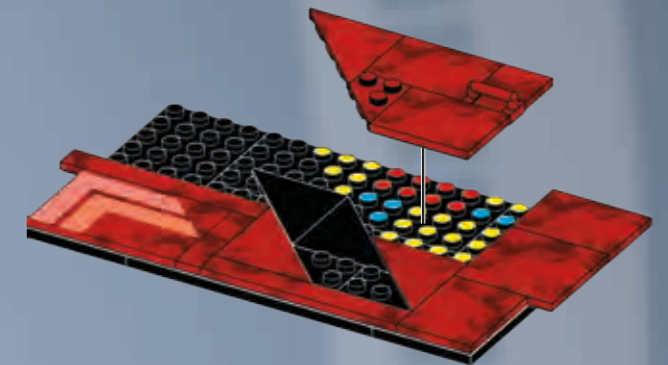
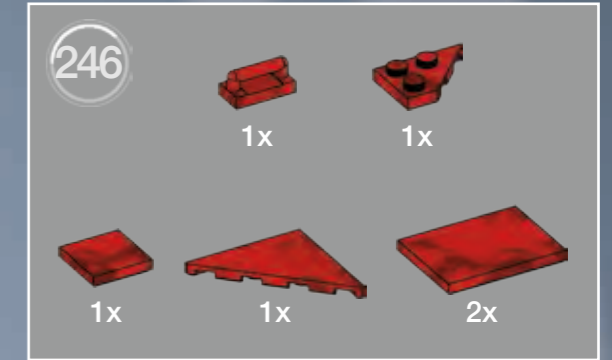
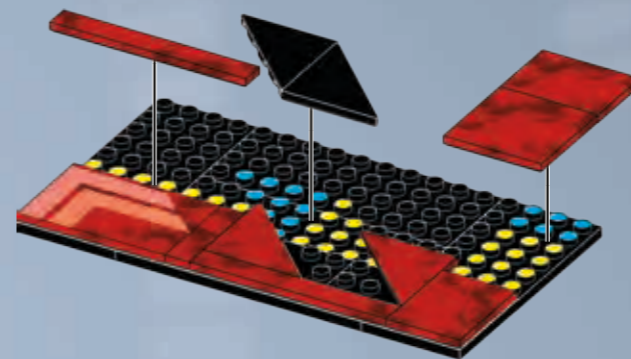
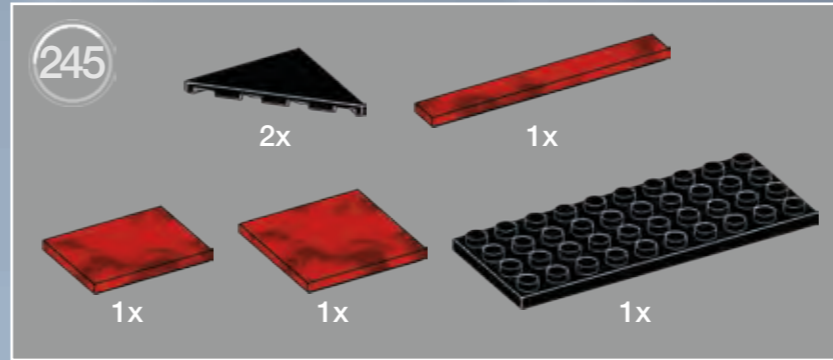
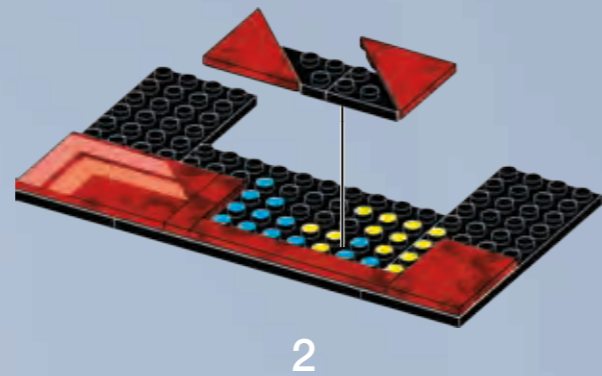
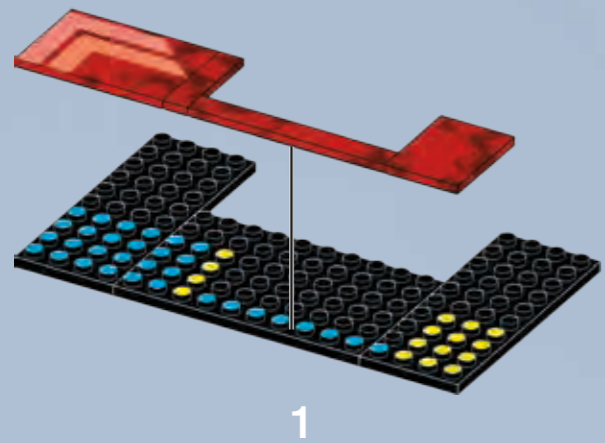
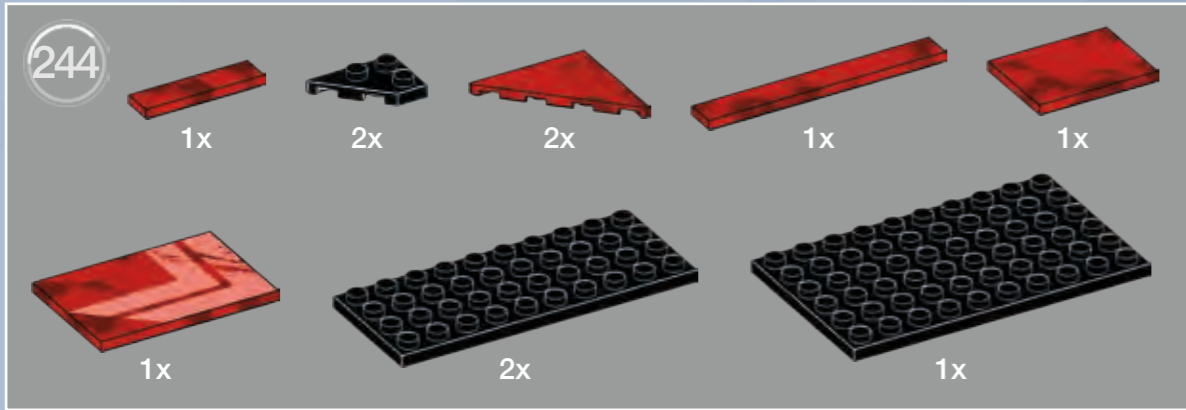
2



1

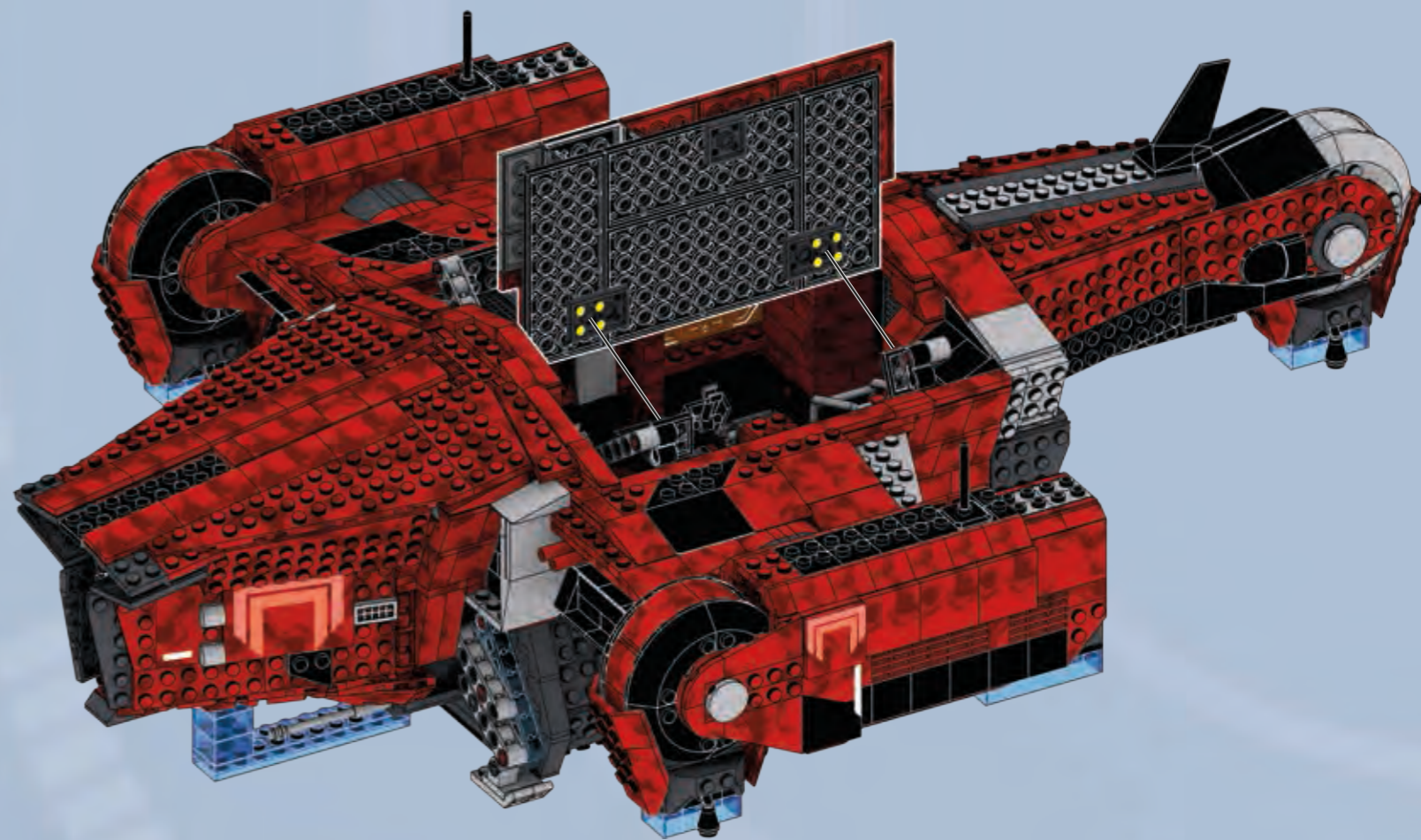
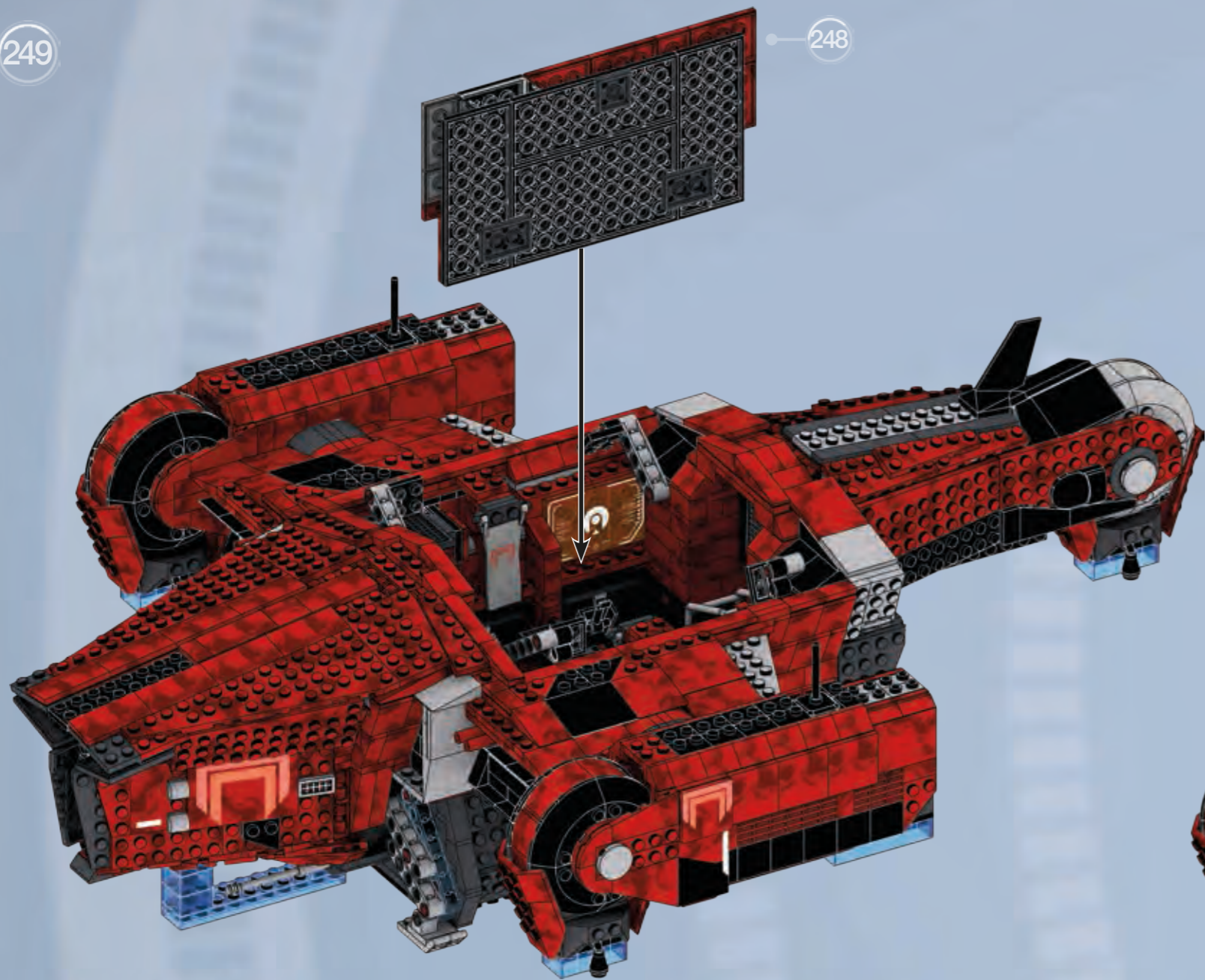


2

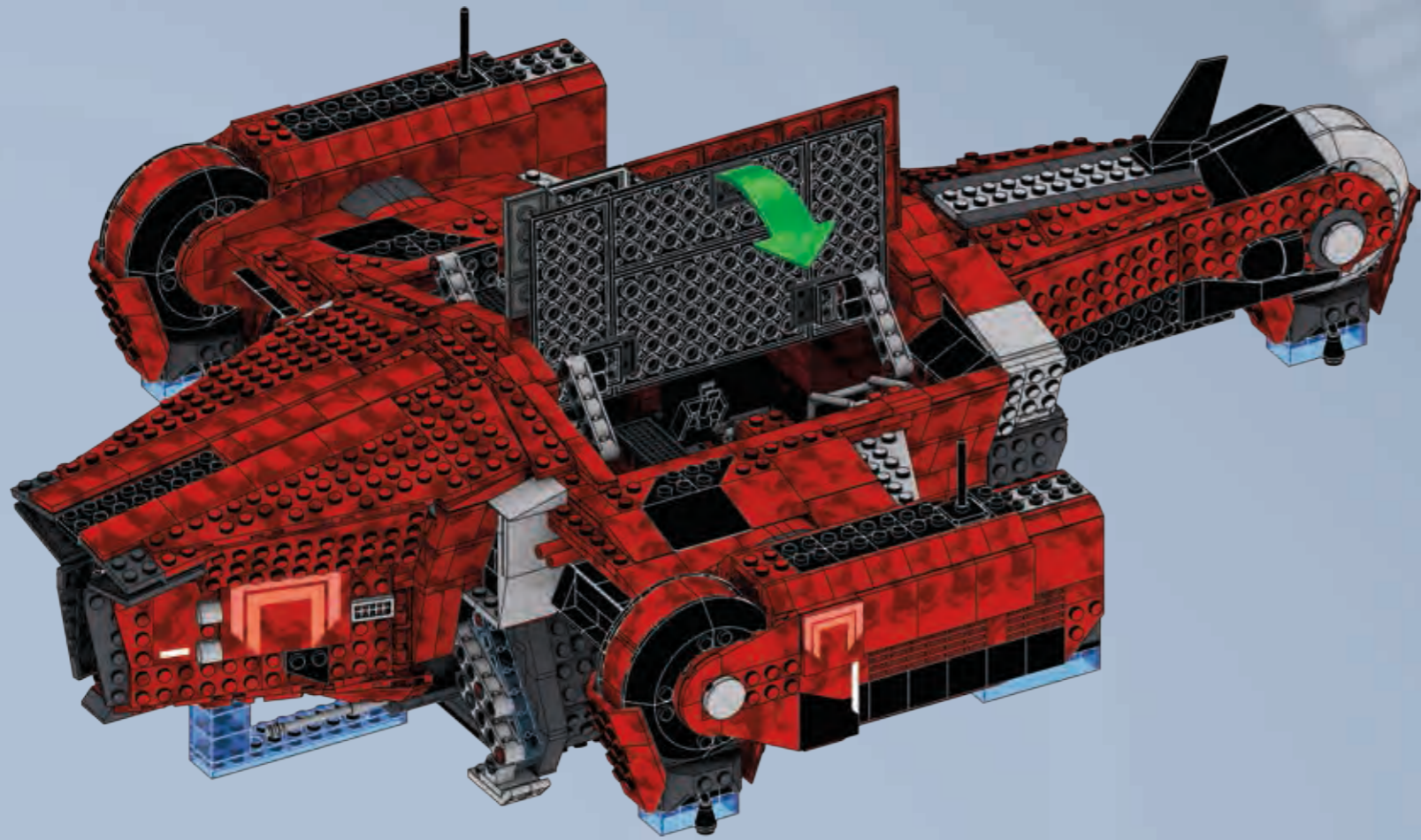


249

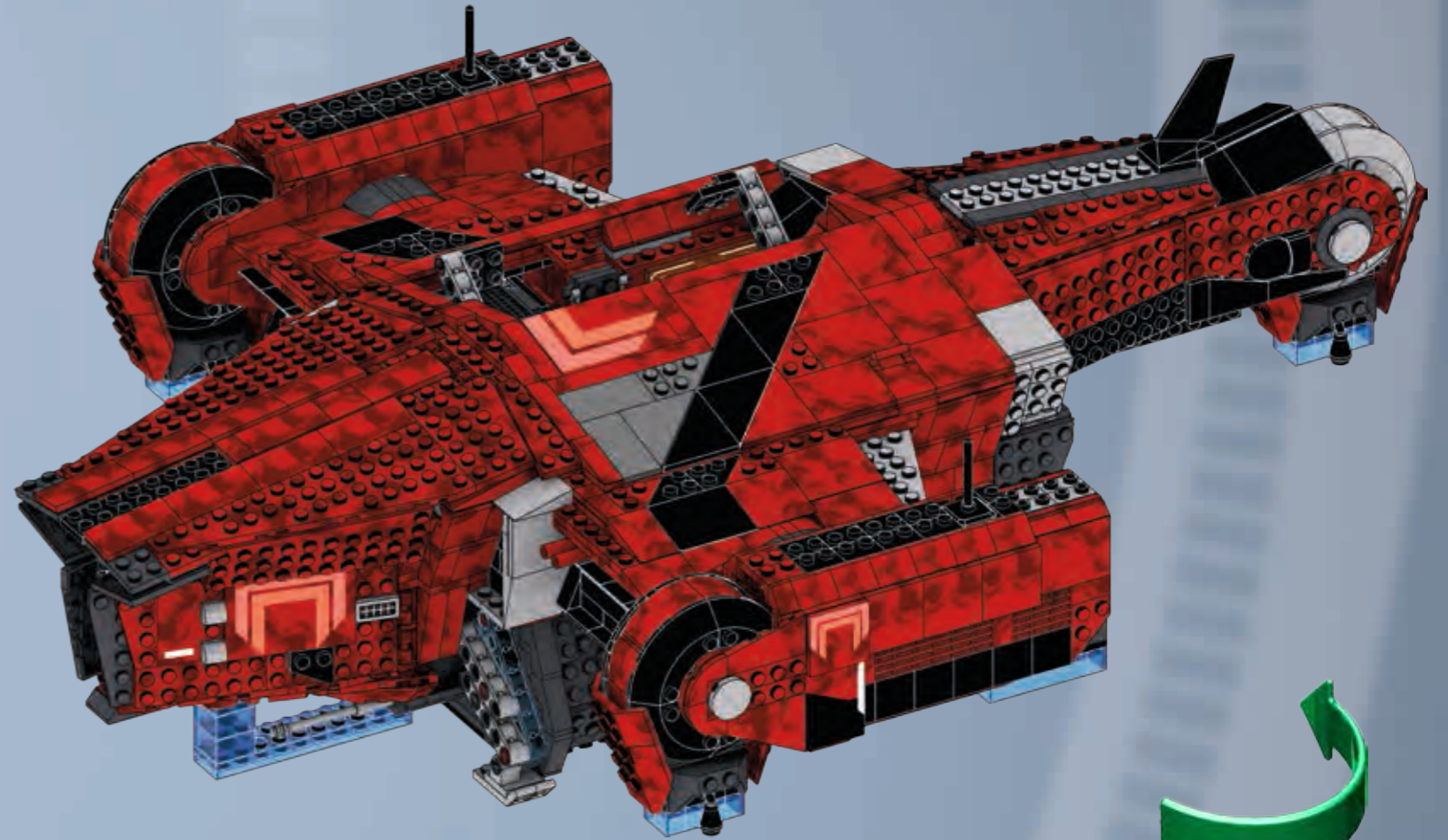
248



4

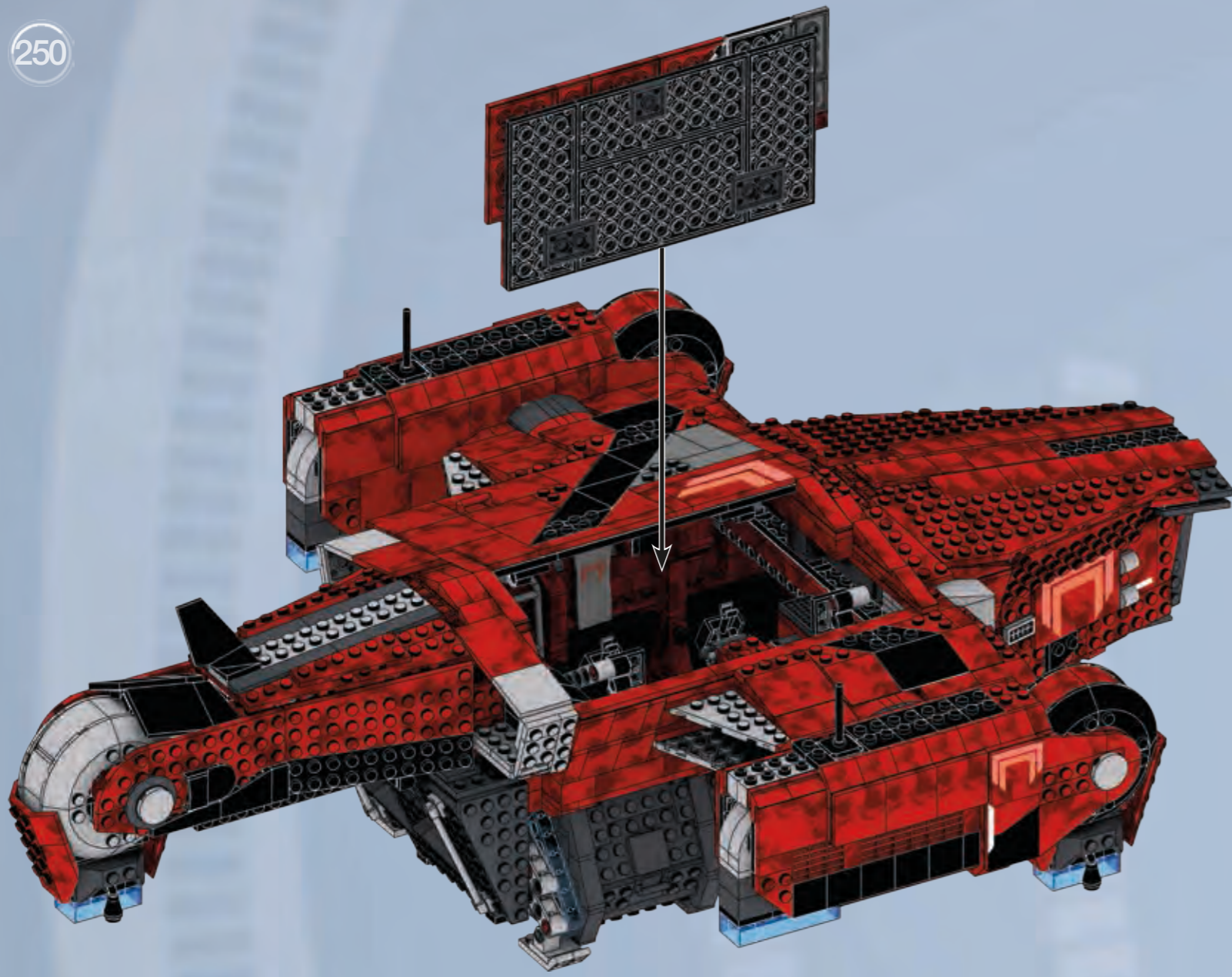


3

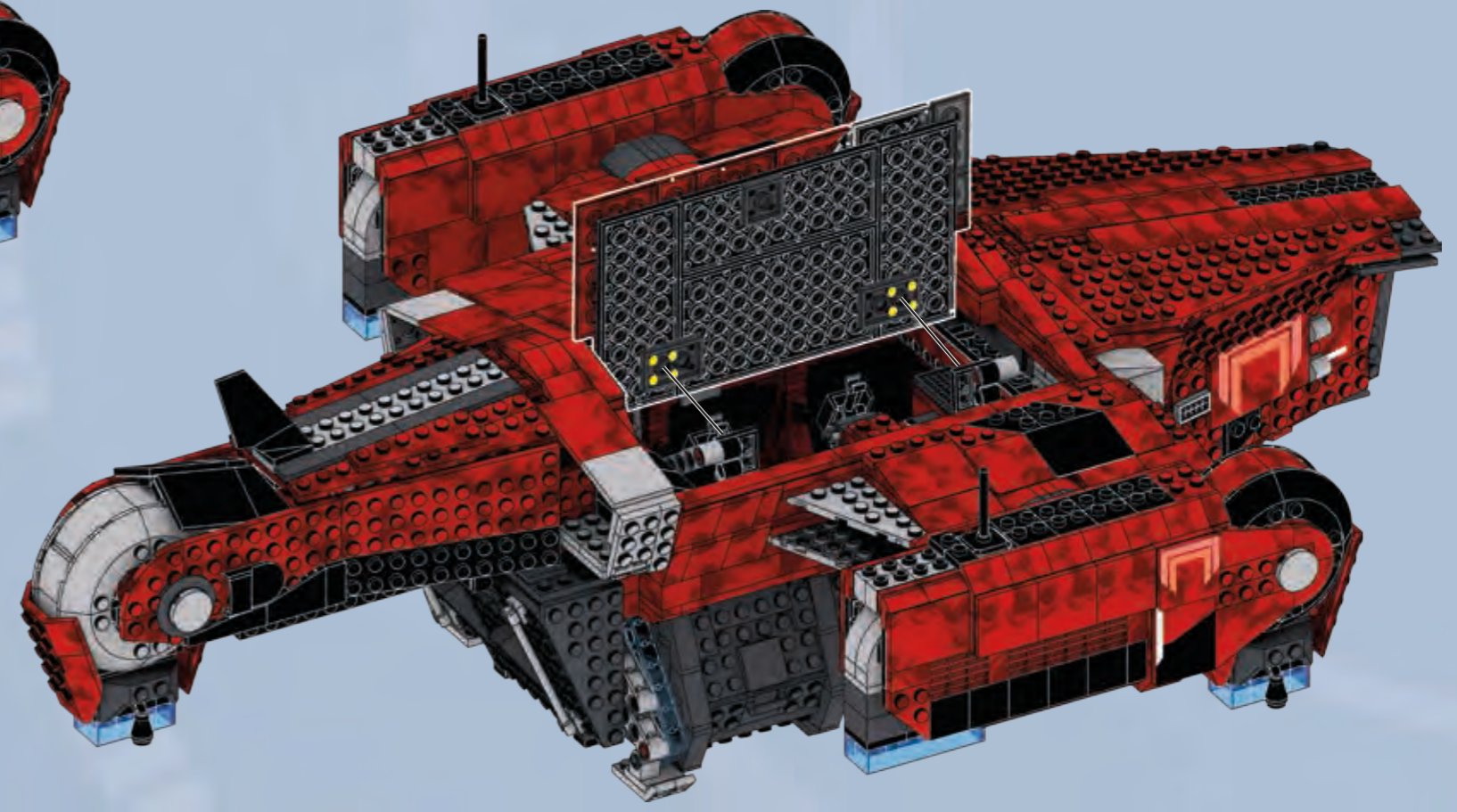


4

4

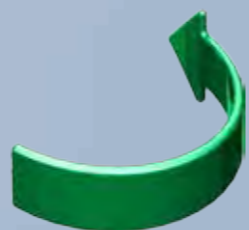
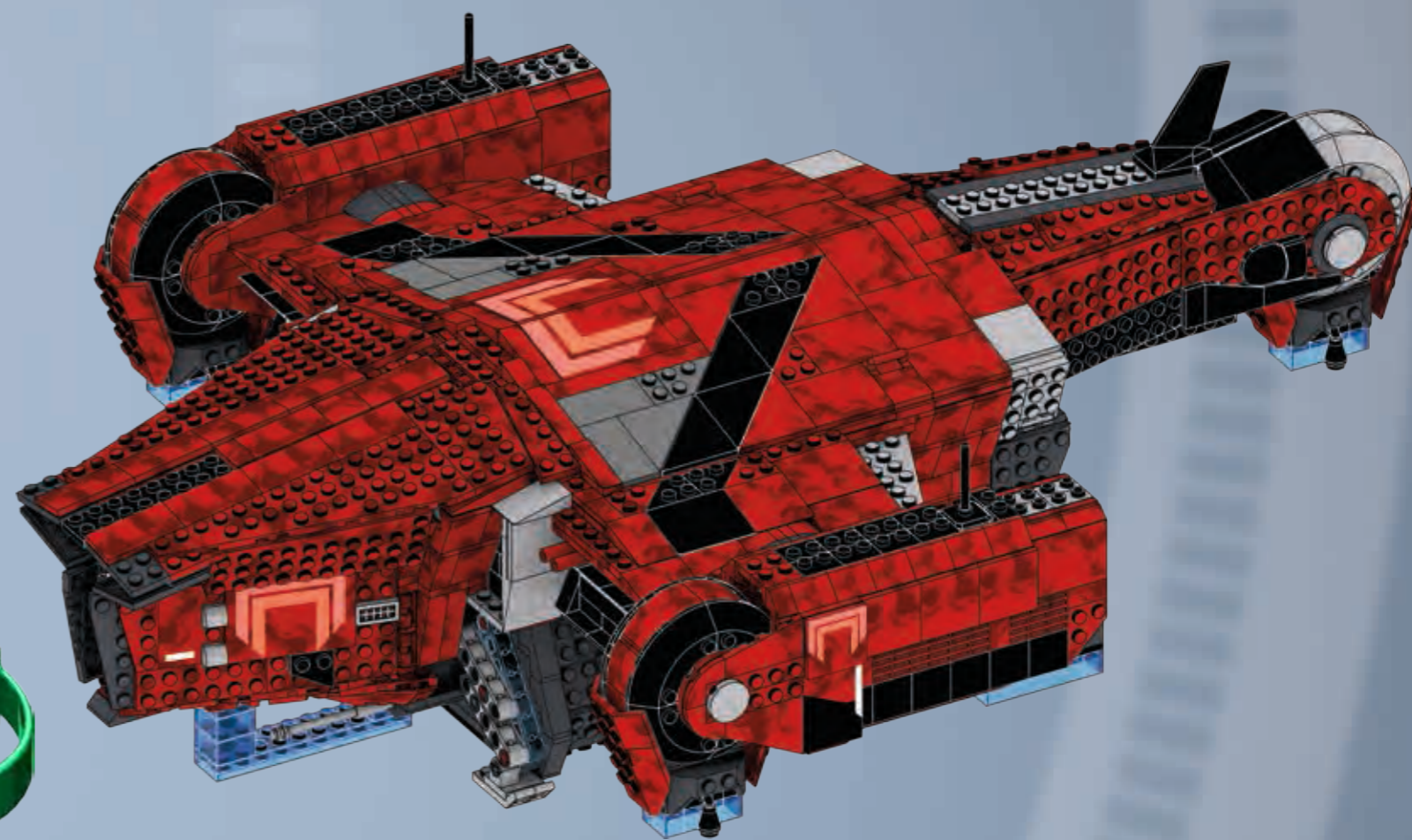
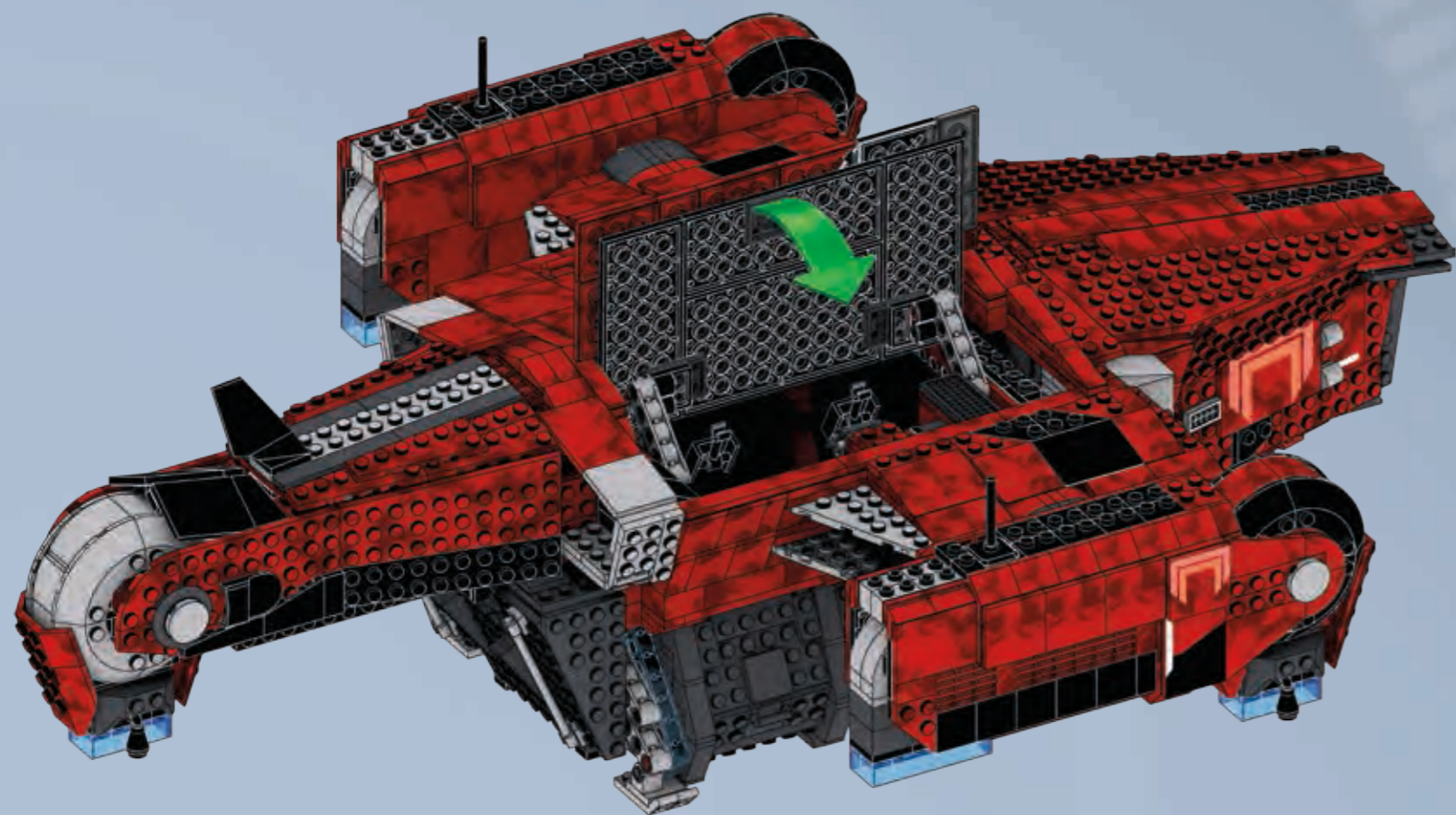


1



2

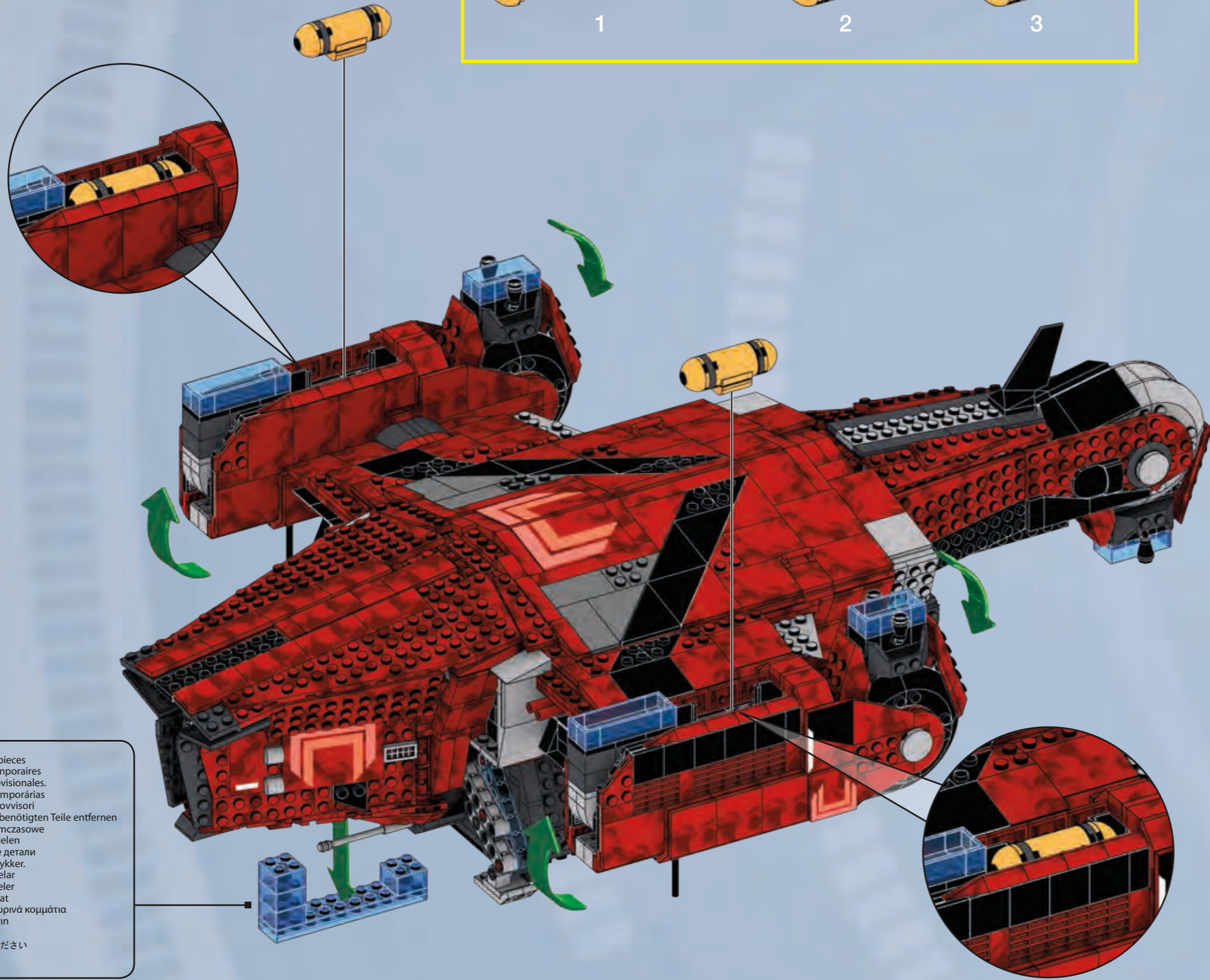
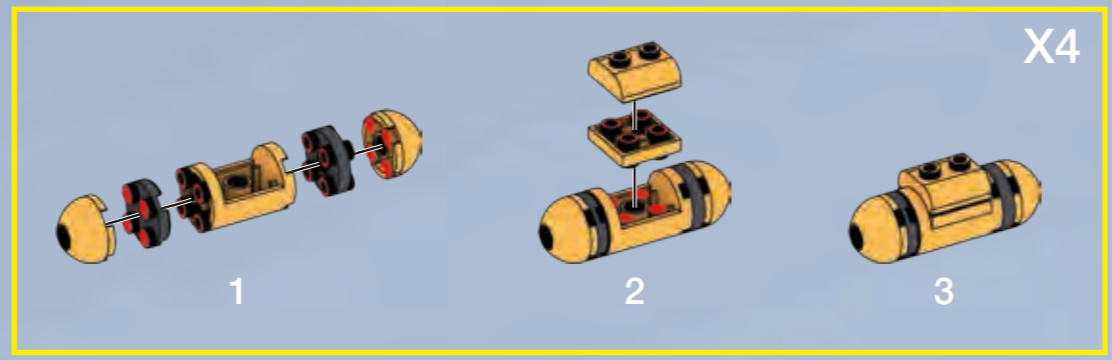
4



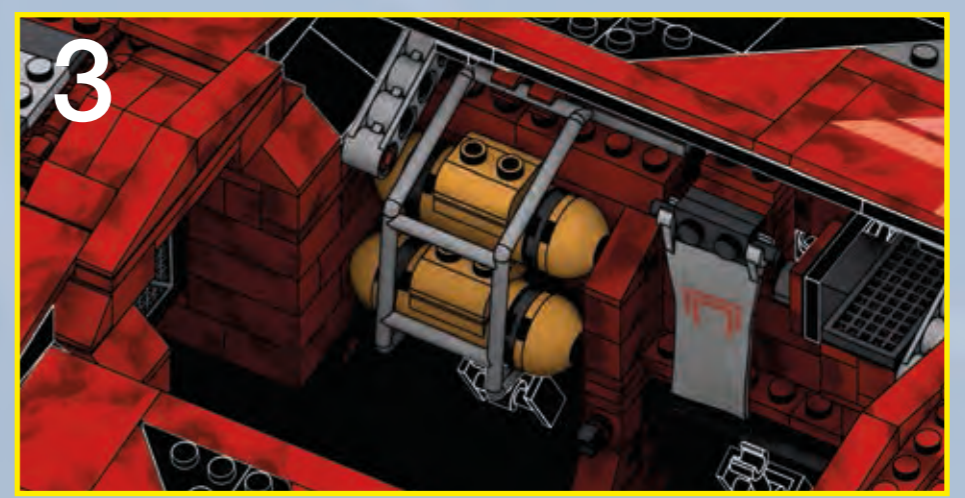
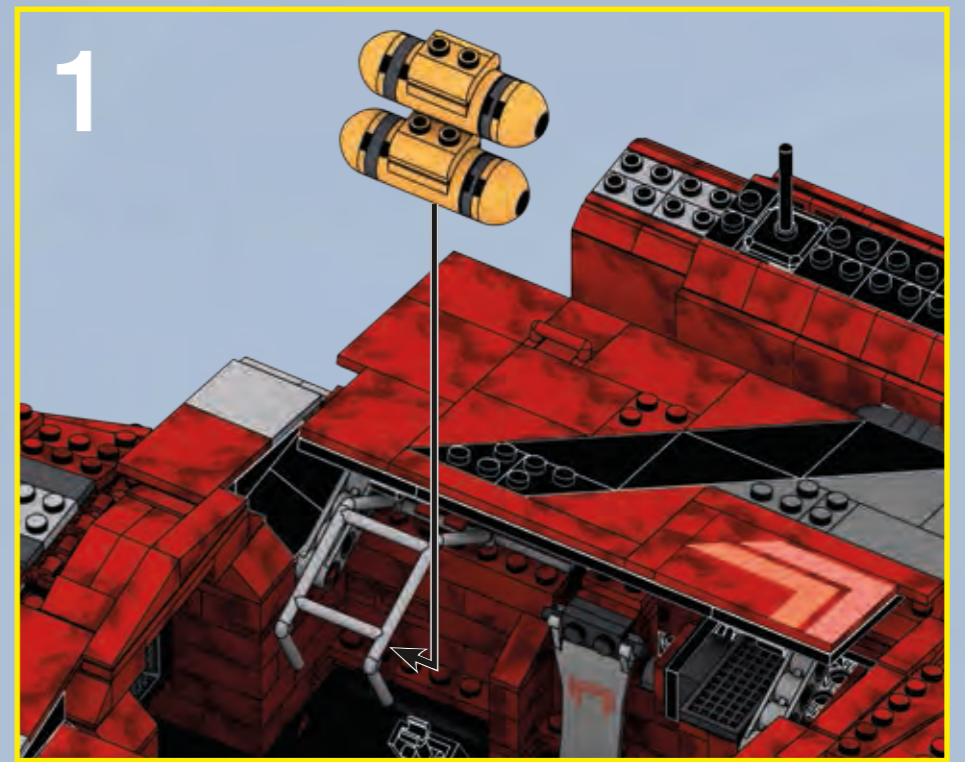
4

4

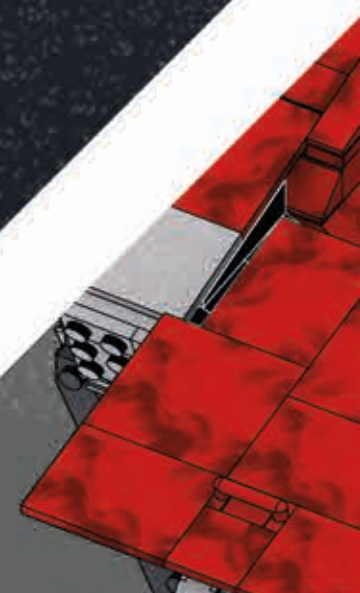
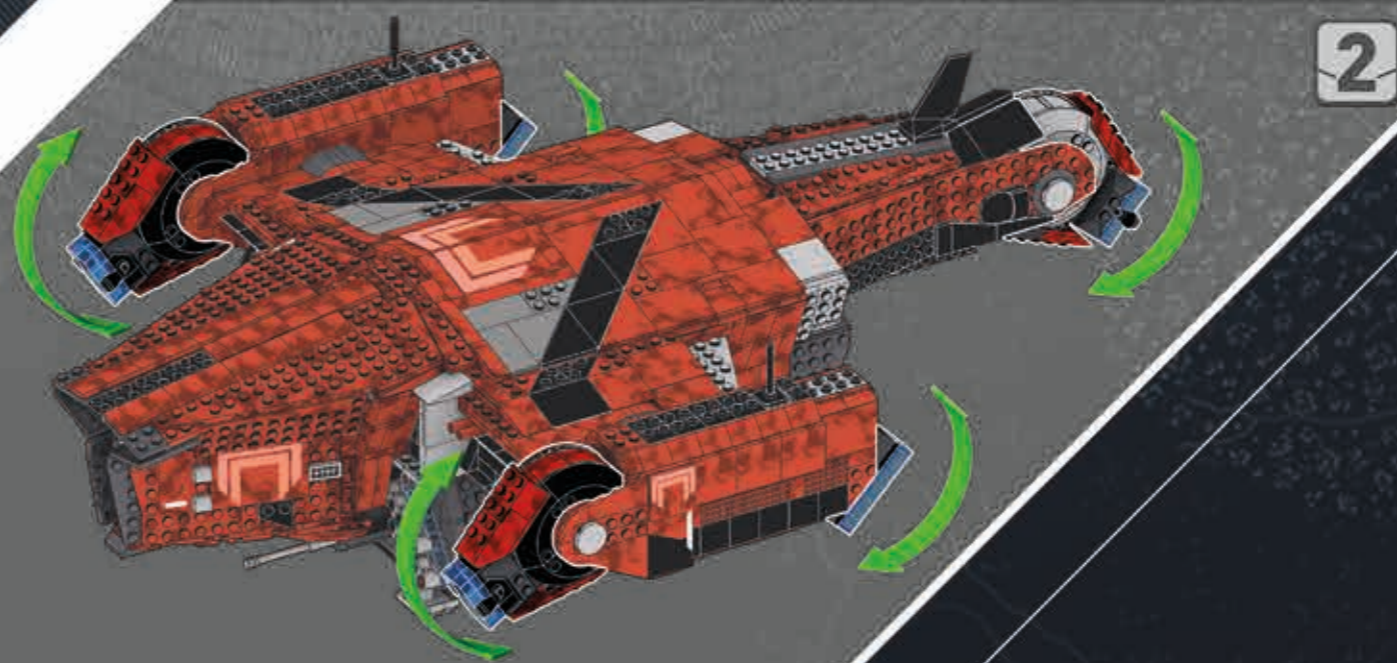
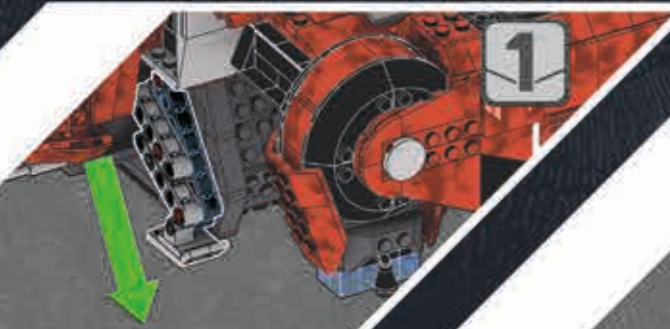
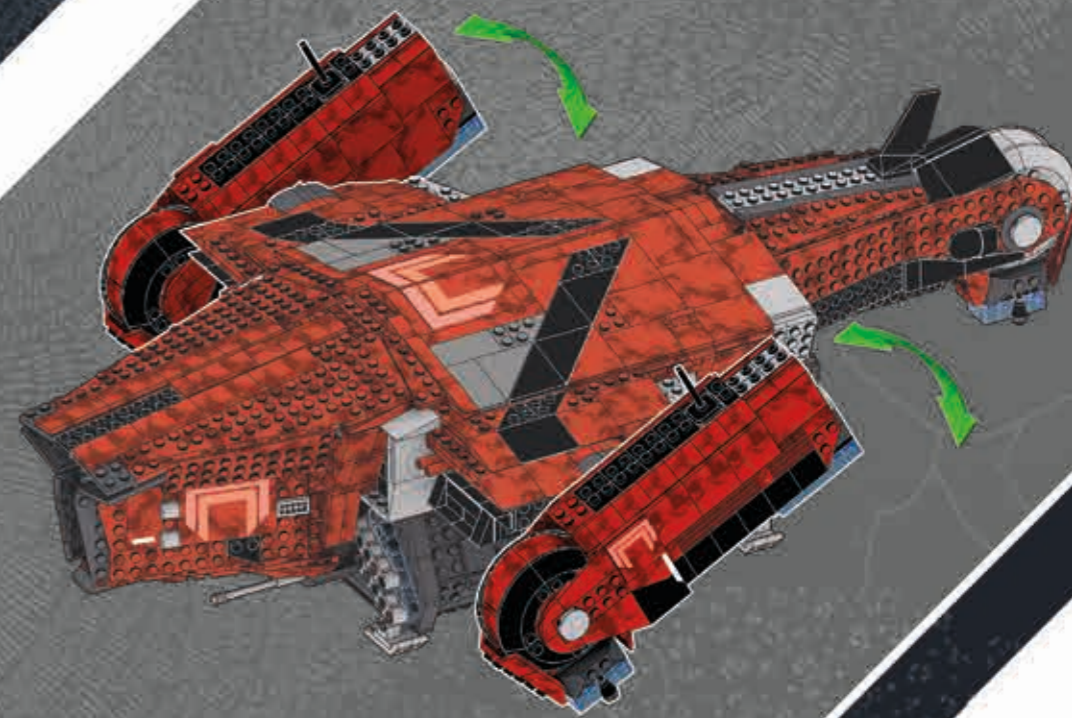
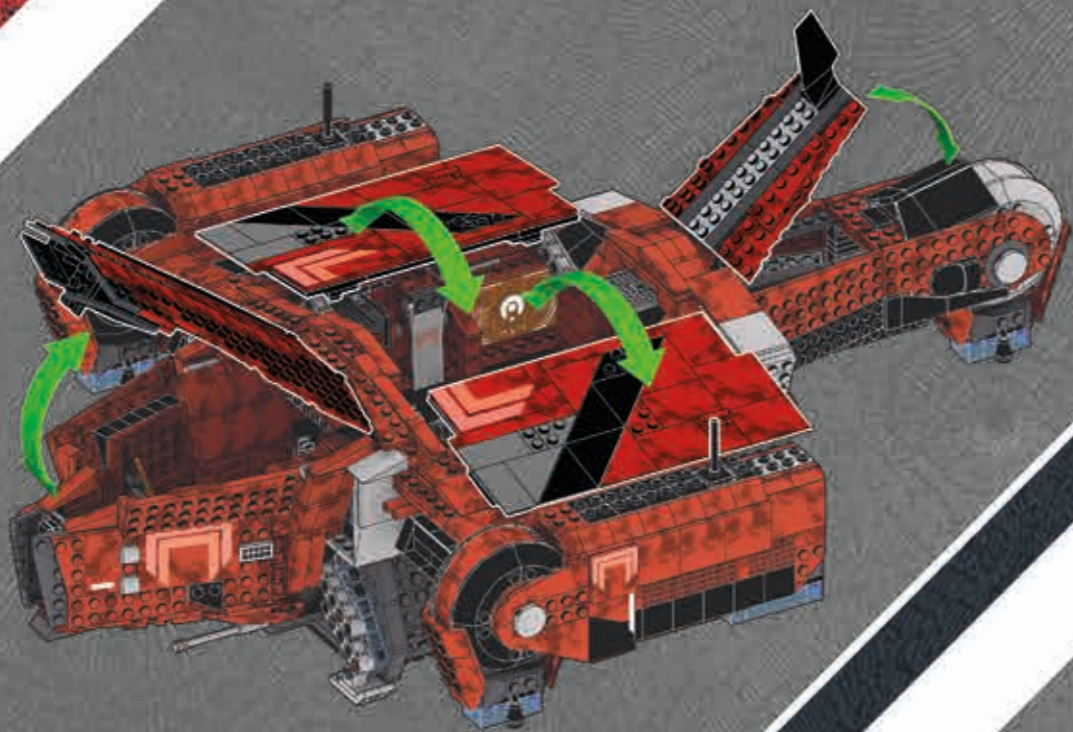
251

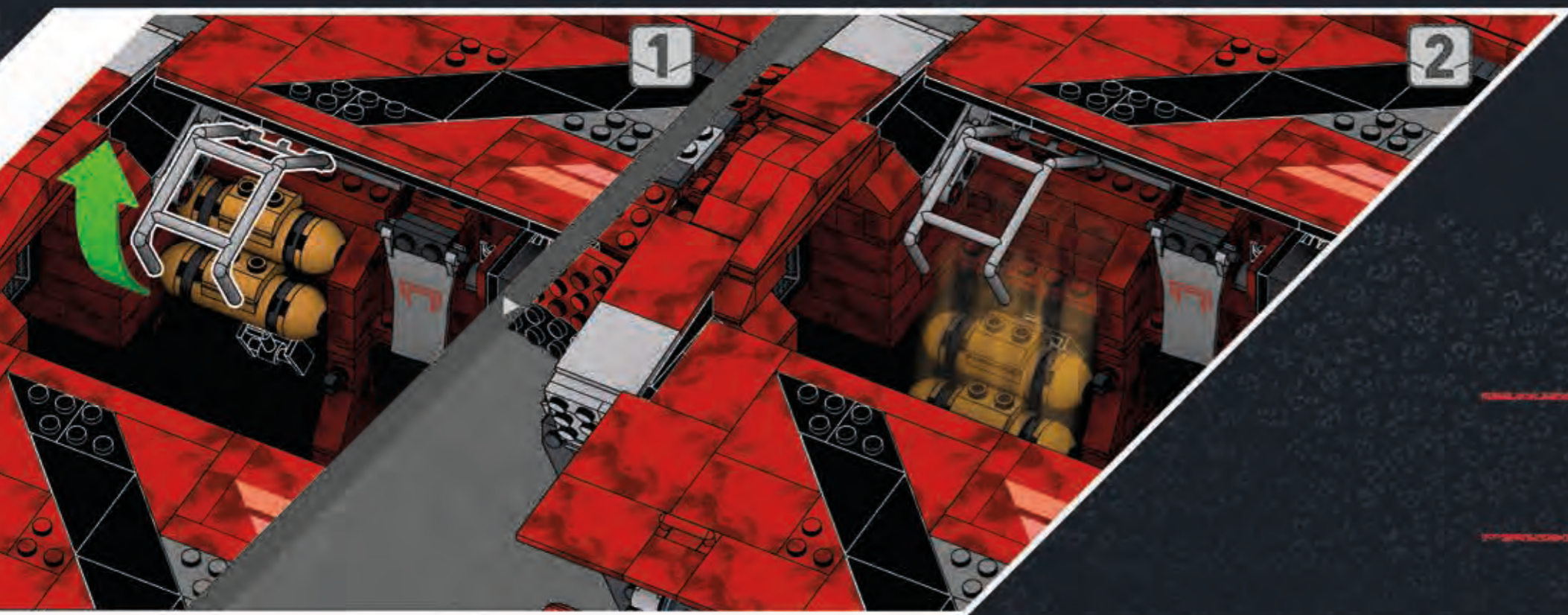


Remove temporary pieces
 Retirez les pièces temporaires
 Retirar las piezas provisionales
 Remover as peças temporárias
 Rimuovere i pezzi provvisori
 Die vorübergehend benötigten Teile entfernen
 Usunąć elementy tymczasowe
 Verwijder tijdelijke delen
 Удалите временные детали
 Fjern midlertidige stykker.
 Ta bort temporära delar
 Fjern midlertidige deler
 Poista väliaikaiset osat
 Αφαιρέστε τα προσωρινά κομμάτια
 Geçici parçaları çıkarın
 移除临时件
 暂定ピースを外してください
 انزع القطع المؤقتة











Each sold separately and subject to availability. / Tous vendus séparément Certains produits peuvent ne pas être commercialisés. / Se venden por separado y están sujetos a disponibilidad. / Vendidos em separado e sujeitos à disponibilidade. / Ognuno in vendita separatamente secondo disponibilità. / Alle Artikel separat erhältlich. Einige Artikel werden nicht in allen Ländern vertrieben. / Sprzedawane oddzielnie w zależności od dostępności. / Per stuk verkrijgbaar en niet overall leverbaar. / Каждый продукт продается отдельно, в зависимости от наличия. / Sælges separat og så længe lager haves. / Alla delar säljs separat så långt lagret räcker. / Hver leke selges separat så langt lageret rekker. / Jokainen myydään erikseen, saatavuus voi vaihdella. / Το καθένα πωλείται ξεχωριστά και ανάλογα με τη διαθεσιμότητα. / Her biri ayrı ayrı ve stoklara bağlı olarak satılır. / 每件单独出售，并且视库存情况而定。 / それぞれ在庫状況に従って個別に販売されます。 / تباع كل منها على حدة وتخضع لتوفرها.





- 1x AM17062AJJ
- 6x MA19392F
- 4x MA17003MM
- 1x MA74397MM
- 2x MA74397AJV
- 3x MA1113MM
- 2x MA07223AJV
- 10x MA03328MM
- 30x MA03328AJV
- 6x MA03328F
- 4x MA19999APG
- 8x MA19999AJV
- 4x MA19999F
- 1x AM74299AJV
- 1x AM74300AJV
- 12x AM16980APG
- 4x MA17127AJV
- 2x MA15258AJV
- 6x AM08412F

- 20x AM76959HJ
- 9x MA0910MM
- 2x MA1086APG
- 12x MA1086MM
- 4x MA1086AJV
- 4x AM18630MM
- 12x AM18286F
- 8x AM17507AJV
- 6x MA07629AJV
- 4x MA07629F
- 2x MA04428AJV
- 4x MA17201F
- 4x MA1140AJV
- 2x MA1140MM
- 2x MA12251F
- 2x AM74415MM
- 4x AM74415AJV

- 4x MA19617MM
- 4x MA17506AJV
- 2x MA17506APG
- 20x AM73534BDG
- 28x AM72534AMC
- 1x MA07590AJV
- 2x AM18756APG
- 24x MA09198AJV
- 2x MA022501APG
- 12x MA022501F
- 25x MA022501AJV
- 6x MA022501MM
- 29x MA09393F
- 20x MA09393AJV
- 8x MA09393APG
- 2x MA09393BDG
- 10x MA09393MM
- 6x MA16680AJV
- 2x AM77573AJV
- 6x AM77573MM

- 9x AM76467AJV
- 3x AM76467MM
- 57x AM76467F
- 1x MA74426MM
- 1x MA74427MM
- 2x MA18549KM
- 4x MA18549MM
- 2x MA18549AJV
- 2x AM18272KM
- 9x MA03019AJV
- 9x MA03019F
- 14x MA03019MM
- 6x MA72000F
- 2x MA72000MM
- 8x MA09393APG
- 2x MA09393BDG
- 10x MA09393MM
- 6x MA16679AJV
- 4x MA07228F
- 6x AM18014AJV

- 4x AM18740AJV
- 6x MA17128AJV
- 4x MA04430AJV
- 4x MA04430F
- 2x MA04430MM
- 2x MA04429AJV
- 16x MA04429F
- 2x MA15480AJV
- 2x MA15481AJV
- 24x MA09835AJV
- 1x MA09835MM
- 1x MA18665F
- 1x MA18665AJV
- 1x MA18666F
- 1x MA18666AJV
- 1x MA18666AJV
- 2x MA16679AJV
- 6x MA07658F
- 2x MA07658APG

- 4x MA09013APG
- 13x MA09013MM
- 52x MA09013AJV
- 24x MA09013F
- 6x AM18601F
- 4x MA17502APG
- 14x MA17502MM
- 2x MA17502AJV
- 22x MA17502F
- 8x AM18667AJV
- 12x MA15484AJV
- 2x MA15484APG
- 2x MA15484F
- 8x MA15484MM
- 4x AM02215APG
- 2x AM73009F
- 8x AM18527F

- 6x MA74677MM
- 4x AM19380MM
- 8x AM18266FM
- 8x MA0948MM
- 19x MA0948F
- 9x MA0948AJV
- 1x AS-FFB61-11
- 1x AS-FFB61-08
- 1x AS-FFB61-13
- 2x AM18525MM
- 13x MA03773AJV
- 8x MA03773MM
- 6x MA03773APG
- 11x MA03773F
- 4x MA1146FM
- 21x MA1146F
- 4x AM77464F
- 5x AM74106AJV
- 4x AM74106MM

- 4x MA18223MM
- 30x MA09106F
- 2x MA09106AJV
- 4x AM03018FM
- 6x AM04217AJV
- 2x MA1154F
- 2x MA1154AJV
- 1x MA10273F
- 32x MA10273AJV
- 6x MA17153AJV
- 2x MA17153MM
- 9x MA09023AJV
- 14x MA09023F
- 4x M09023HJ
- 4x MA09023MM

- 4x MA73906AJV
- 6x AM76653F
- 14x MA16975MM
- 2x AM18705MM
- 12x MA1314AJV
- 4x MA1314MM
- 2x MA1314APG
- 4x MA1314F
- 2x AM74298MM
- 8x AM19326MM
- 12x AM19326AJV
- 2x MA1323AJV
- 2x MA1323MM
- 6x MA16384AJV
- 2x MA16384MM
- 3x AM74314MM
- 4x AM78768APG

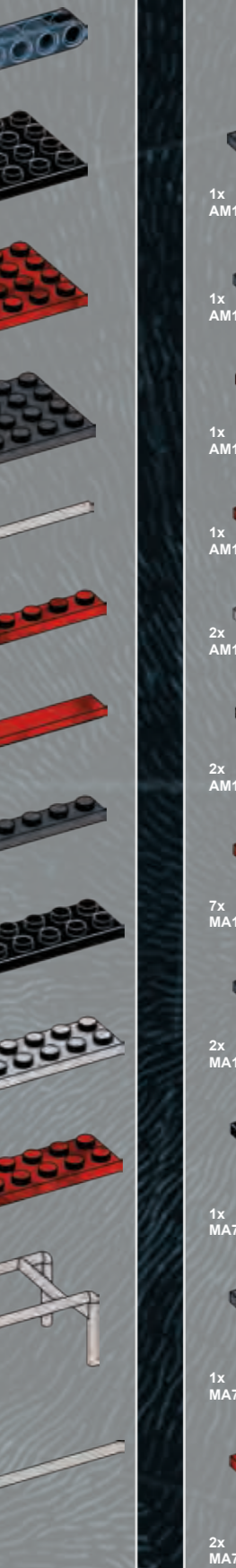
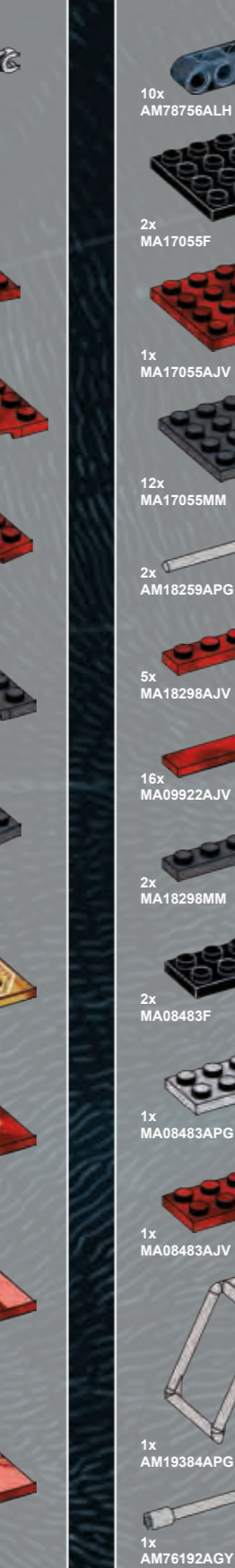
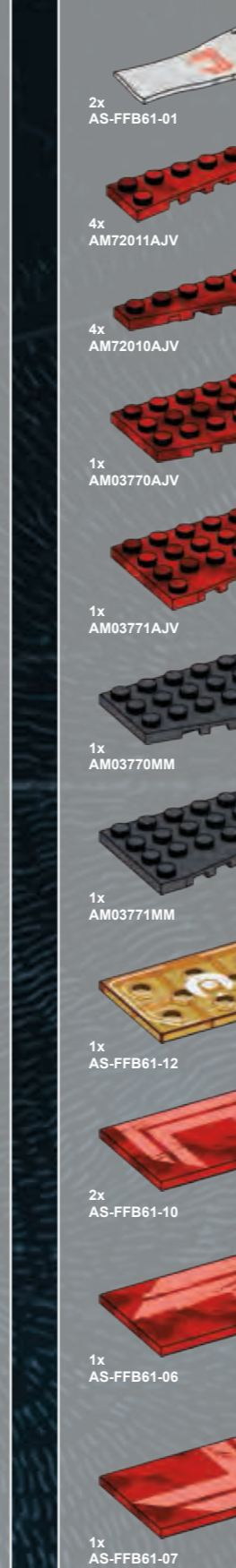
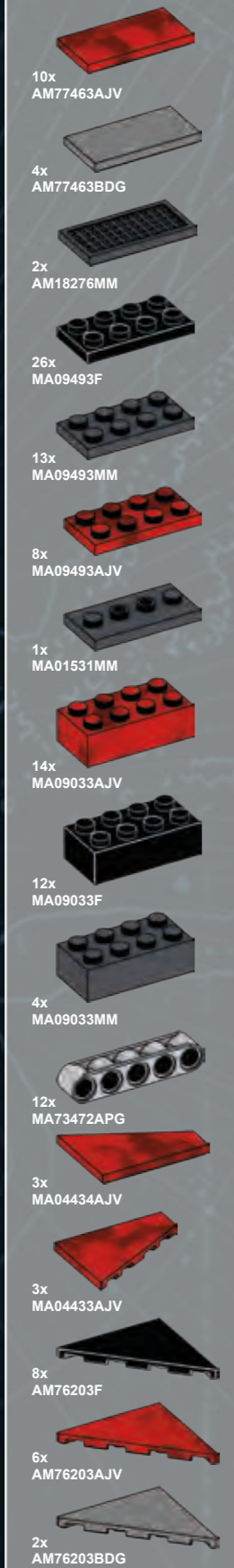
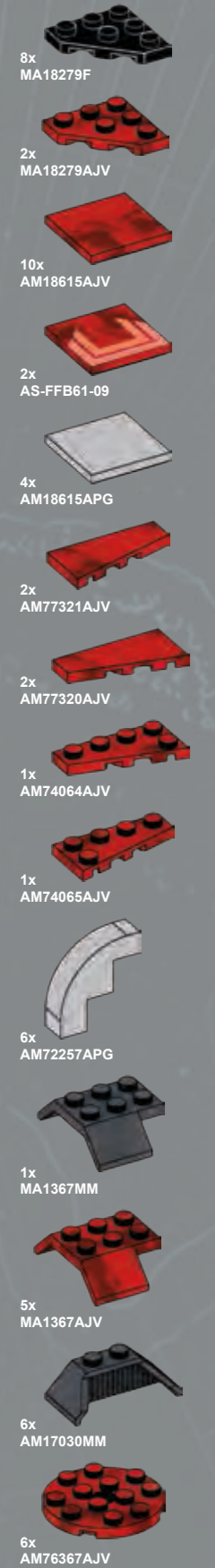
- 1x AM76205BDG
- 4x AM76205F
- 6x AM76205AJV
- 1x AM76206BDG
- 4x AM76206F
- 6x AM76206AJV
- 2x MA18328APG
- 20x MA18328AJV
- 16x MA18328MM
- 2x MA18329APG
- 14x MA18329AJV
- 15x MA18329MM
- 1x MA18329F
- 2x AM19199F
- 2x MA1141MM
- 12x AM16653MM

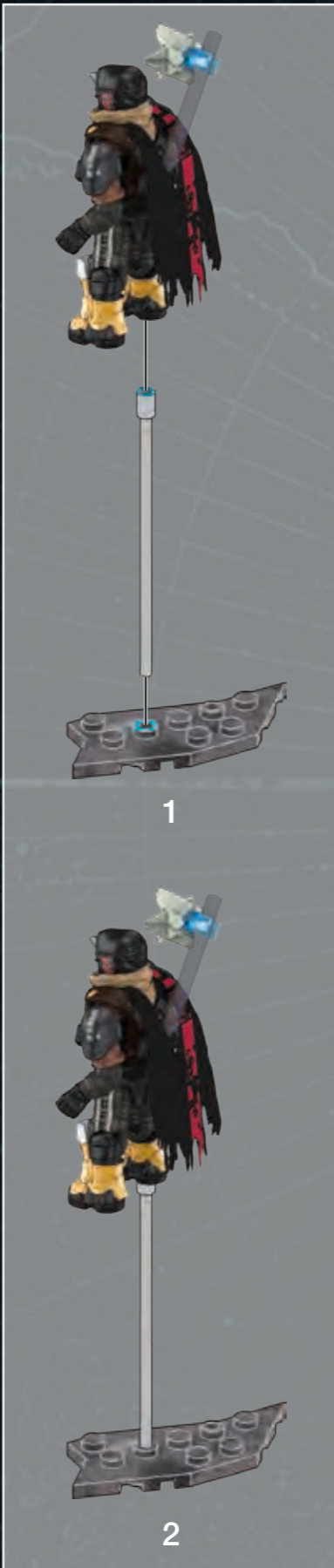
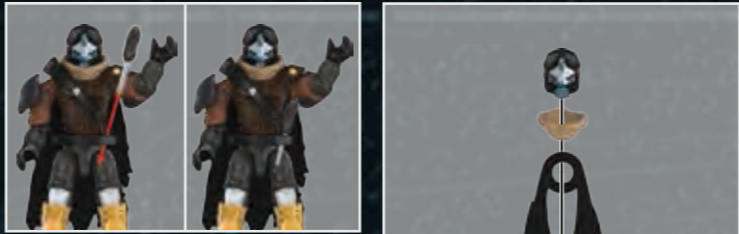
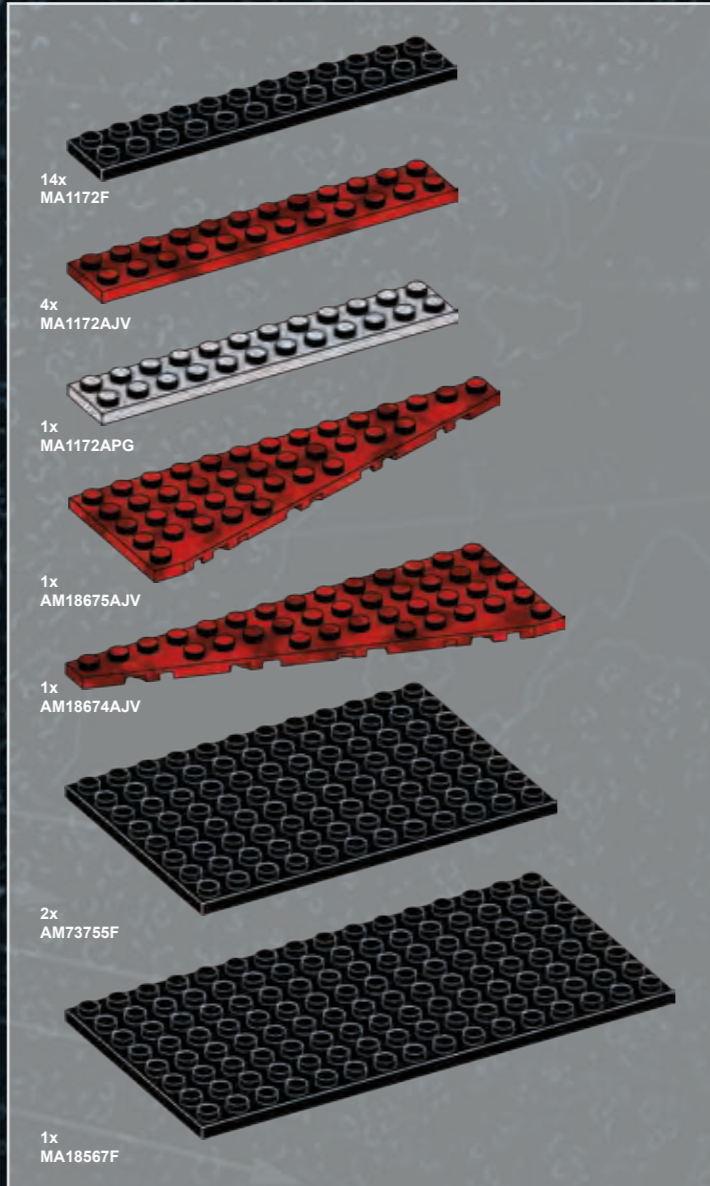
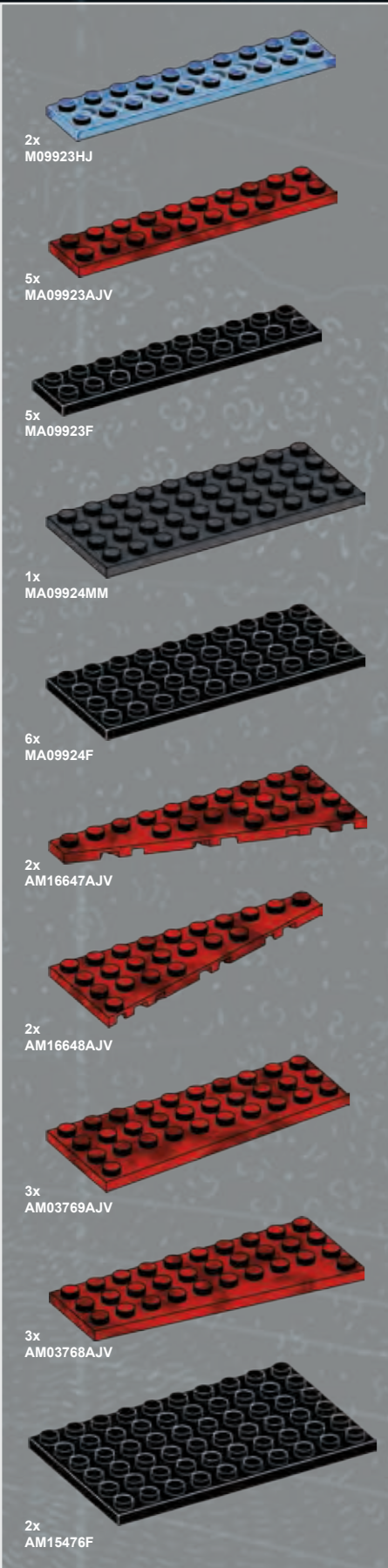
- 2x MA16682AJV
- 6x MA18658AJV
- 16x MA18658MM
- 12x MA08480AJV
- 10x MA08480MM
- 11x AM18562AJV
- 12x MA15488AJV
- 2x AM08481AJV
- 4x AM17601FM
- 2x AM72088F

- 2x AM19898F
- 2x AM19899F
- 1x MA17074AJV
- 1x MA17073AJV
- 6x MA03772APG
- 17x MA03772F
- 12x MA03772AJV
- 4x MA03772MM
- 1x AM17509AJV
- 1x AM17509F
- 4x AM19012AJV
- 2x AM19012APG
- 4x MA04497F
- 17x MA03873AJV
- 6x MA03873F
- 4x MA03873MM

- 1x AM77738AGY
- 2x AM76521F
- 1x AM76452F
- 1x AM76451F
- 2x MA09838MM
- 2x MA09838F
- 12x MA09838AJV
- 23x MA09593AJV
- 20x MA09593MM
- 11x MA09593F
- 2x MA09593APG
- 8x AM72439APG
- 4x M17521HJ
- 2x MA16959MM
- 14x MA16959AJV
- 2x AM77199F
- 2x AM77199AJV

- 16x MA1087MM
- 18x MA1087F
- 32x MA1087AJV
- 6x MA17503F
- 1x MA17503AJV
- 4x MA17503APG
- 4x MA17503MM
- 4x AM73743MM
- 2x AM73743F
- 4x AM73743AJV
- 2x AM17155MM
- 2x AM18732APG
- 4x AM18732AJV
- 2x AM17056AJV





Please read these instructions carefully before first use and keep them for future reference.
 Il est recommandé de lire attentivement ce feuillet avant la première utilisation et de le conserver pour référence future.
 Leer estas instrucciones cuidadosamente antes de la primera utilización y guardarlas para referencia futura.
 Leia as instruções antes do primeiro uso e guarde-as para futura referência.
 Leggere le istruzioni prima di cominciare ad usare il gioco e conservarle per referenze future.
 Die Gebrauchsanleitung bitte durchlesen und aufbewahren.
 Proszę uważnie przeczytać instrukcję obsługi przed pierwszym użyciem, a następnie zachować ją na przyszłość.
 Wij raden u aan deze handleiding zorgvuldig te lezen en te bewaren voor eventuele raadpleging op een later tijdstip.
 Внимательно прочитайте инструкцию перед первым использованием и сохраните ее для дальнейшего использования.
 Vær venlig at læse disse instruktioner omhyggeligt inden ibrugtagningen og opbevar dem til fremtidigt brug.
 Läs noggrant igenom dessa instruktioner innan du använder produkten för första gången och spara dem för ev. framtida frågor.
 Les disse instruksjonene nøye for første gangs bruk, og ta vare på dem for fremtidige oppslag.
 Lue nämä ohjeet huolellisesti ennen ensimmäistä käyttöä ja säilytä ne myöhempää tarvetta varten.
 Διαβάστε προσεκτικά τις οδηγίες πριν από τη χρήση και κρατήστε τις για μελλοντική αναφορά.
 İlk kullanımdan önce talimatları dikkatlice okumanızı ve bu bilgileri ileride tekrar bakabilemek için saklamanızı öneririz.
 第一次使用前，請仔細閱讀本說明書並保留以備將來參考。
 初めてご使用になる前に、この説明書をよくお読みください。また、本書は将来いつでも参照できるように保管してください。
 يجب قراءة هذه التعليمات بعناية قبل الاستخدام والاحتفاظ بها للعودة إليها مستقبلاً.

© D714,887 PATENT PENDING.
 BREVET EN INSTANCE.

BUNGIE
 DESTINY © BUNGIE, INC. DESTINY IS A REGISTERED TRADEMARK OF BUNGIE, INC. ALL RIGHTS RESERVED.
 GAME PUBLISHED AND DISTRIBUTED BY ACTIVISION.
MEGACONSTRUX.COM



MEGA CONSTRUX™

Build Beyond™

Au-delà de la construction!

¡Construye sin límites!

Mais do que Construção!

Costruisci oltre ogni limite!

Es gibt keine Grenzen!

Więcej niż budowanie!

Meer dan alleen bouwen!

Больше, чем конструктор!

Χτίσε έναν ολόκληρο κόσμο!

Hayallerini İnşa Et!

لنبني .. وأكثر!

©2017, MEGA Brands Inc. &™ MEGA Brands Inc. CONSTRUX™ is owned by Mattel and used under license. CONSTRUX™ appartient à Mattel et est utilisée sous licence.
Printed in China AD-FFB61-01



play.megaconstrux.com

