

**MEGA
BLOKS**

NEED FOR SPEED **NFS**



560+

UNIQUE PARTS TO
BUILD & CUSTOMIZE

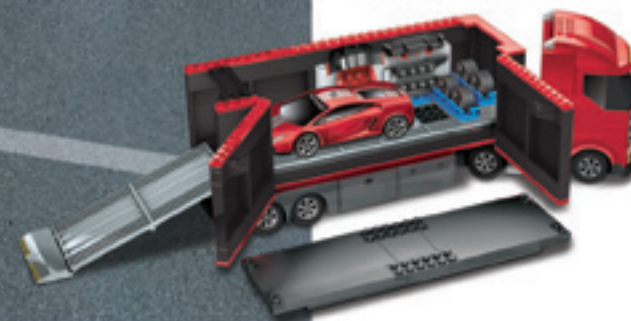
PIEZAS ÚNICAS PARA
CONSTRUIR Y PERSONALIZAR

PÈCES UNIQUES À
CONSTRUIRE ET PERSONNALISER



2 *IN* **1**
EN

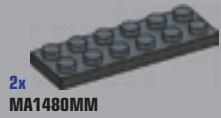
LAMBORGHINI
GALLARDO LP560-4



95760

Custom Rig • Camión plataforma personalizado • Camion de personnalisation
Benutzerdefinierte LKW • Aangepaste truck • Camion personalizzato • Caminhão plataforma personalizado

- 2x MA1113X
- 2x AM07223F
- 8x MA3328NS
- 2x MA3328B
- 12x MA3328MM
- 1x MA3328APG
- 2x AM16980F
- 8x AM17127MM
- 4x AM15486B
- 16x MA1086NS
- 2x MA1086F
- 3x MA1086APG
- 4x AM17201NS
- 2x AM18667NS
- 1x AM16649APG
- 14x MA09393F
- 6x MA09393APG
- 3x MA09393NS
- 16x MA09393MM
- 1x MA022501NS
- 2x MA022501APG
- 11x MA022501MM
- 2x AM18756APG
- 4x AM09835MM
- 2x AM09835NS
- 1x AM15480MM
- 1x AM15481MM
- 2x MA15484MM
- 2x AM18014MM
- 4x AM18671F
- 20x MA9013F
- 5x MA9013NS
- 3x MA9013APG
- 8x MA11101MM
- 2x AM17502AGV
- 4x AM09624F
- 2x AM9624APG
- 2x AM09625APG
- 4x AM09625F
- 4x AM18549MM
- 2x AM04430MM
- 2x AM17128NS
- 2x AM17128W
- 2x MA04429APG
- 2x MA1418F
- 2x MA1154F
- 2x AM07230NS
- 1x AM72414NS
- 1x AM72413NS
- 6x MA0948NS
- 1x MA03773F
- 1x MA03773BYE
- 2x MA03773APG
- 5x MA0373MM
- 2x MA03773NS
- 1x AM18525APG
- 1x AM09106APG
- 1x AM09106F
- 4x MA1141NS
- 4x MA9023MM
- 4x MA9023NS
- 6x MA03773BYE
- 1x AM18300NS
- 6x MA03772MM
- 2x MA03873NS
- 4x AM17021NS
- 4x AM16384APG
- 5x MA1087NS
- 7x MA1087MM
- 21x MA1087F
- 3x MA1087APG
- 3x MA09033NS
- 15x MA09033F
- 2x MA09033MM
- 12x AM18276APG
- 5x MA094993F
- 10x MA09493MM
- 2x MA09493NS
- 1x AM17876MM
- 2x MA1314APG
- 2x AM01847MM
- 2x MA1309APG
- 2x MA1389F
- 18x MA09593NS
- 12x MA09593F
- 1x MA09593APG
- 12x MA09593MM
- 1x AM09838F
- 1x AM09838MM
- 1x AM09838NS
- 2x AM72412APG
- 4x AM72412NS
- 1x AM03078MM
- 2x AM09204NS
- 6x MA09292MM
- 9x MA09292NS
- 4x MA09292F
- 1x MA09292APG
- 2x AM09269B
- 1x AM18219MM
- 1x AM16331NS
- 2x AM09922MM



2x
MA1480MM



2x
MA1480B



2x
MA1480NS



9x
MA08483MM



6x
MA08483NS



2x
MA08483F



1x
MA09923F



2x
MA09923NS



2x
MA09923MM



2x
AM18731NS



2x
AM18656NS



2x
AS9576028



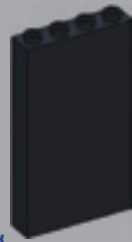
2x
AS9576027



1x
AS9576022



9x
MA1321F



2x
AM09239F



2x
AM09239NS



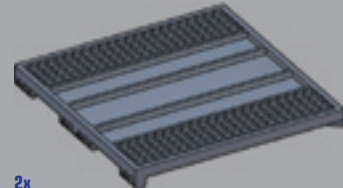
1x
AS9576026



1x
AS9576025



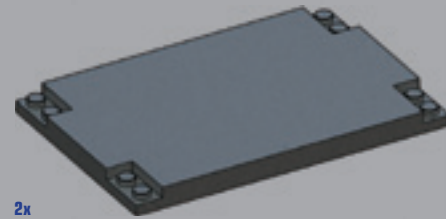
2x
AM72417MM



2x
AM72416APG



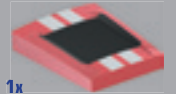
1x
AM01128F



2x
AM1324MM



1x
AM18567F



1x
AS9576014



1x
AS9576011



1x
AS9576016



1x
AS9576017



1x
AS9576013



1x
AM72084F



1x
AM72083F



1x
AS9576015



1x
AS9576018



1x
AS9576012



2x
AS9571114



8x
AM72409APG



8x
AM19579MM



2x
AM19579APG



2x
AS9576029



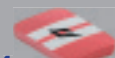
4x
AS9576023



2x
AM18011F



8x
AM72410F



1x
AS9576004



1x
AS9576005



1x
AS9576006



1x
ASS9576009



1x
AS9576010



1x
AS9576001



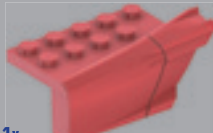
1x
AS957603



1x
AS9576002



1x
AM72068APP



1x
AM72067APP



1x
AM18016MM



1x
L957601

Licensed under certain patents. EA, the EA logo, Need for Speed, the "N" icon and the Need for Speed logo are trademarks or registered trademarks of Electronic Arts Inc. in the U.S. and/or other countries. All Rights Reserved. The trademarks copyrights and design rights in and associated with Lamborghini, Lamborghini with Bull and Shield Device, are used under license from Automobili Lamborghini S.p.A., Italy.

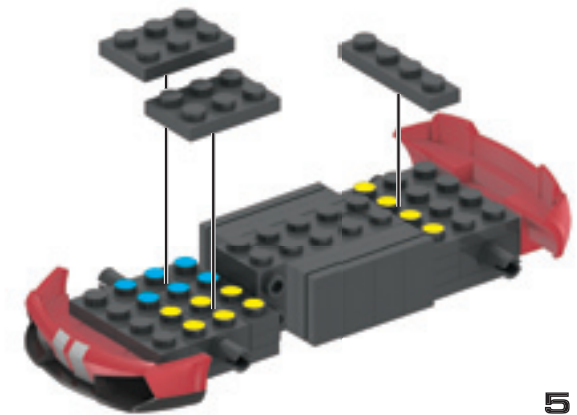
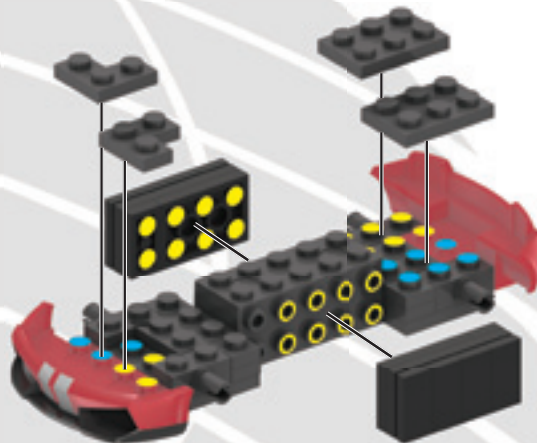
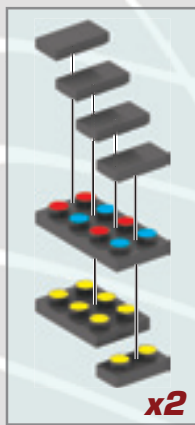
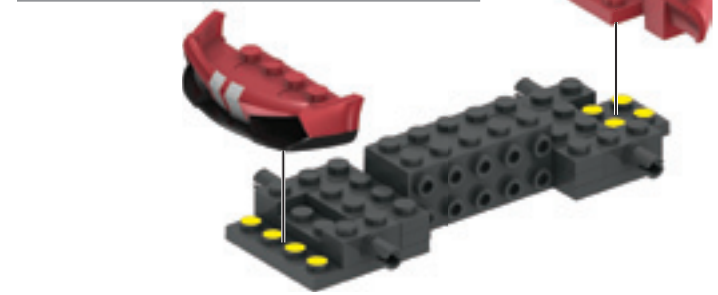
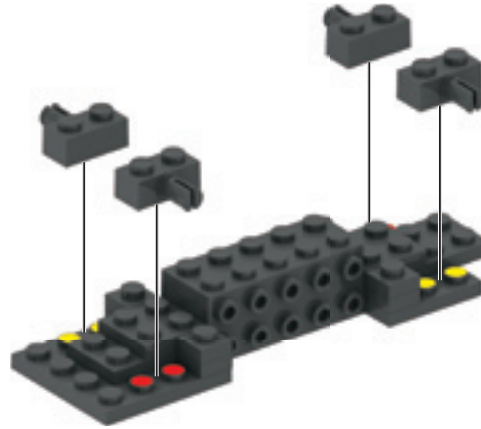
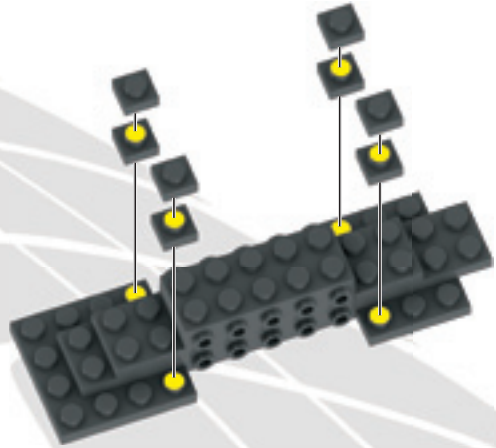
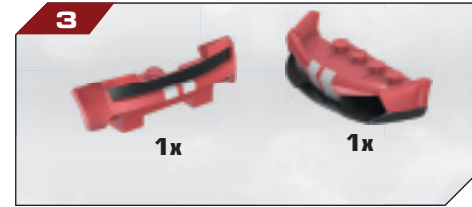
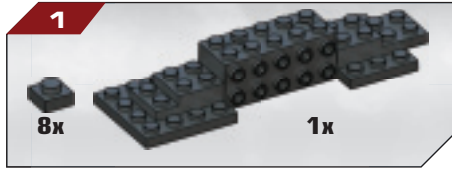
Lamborghini

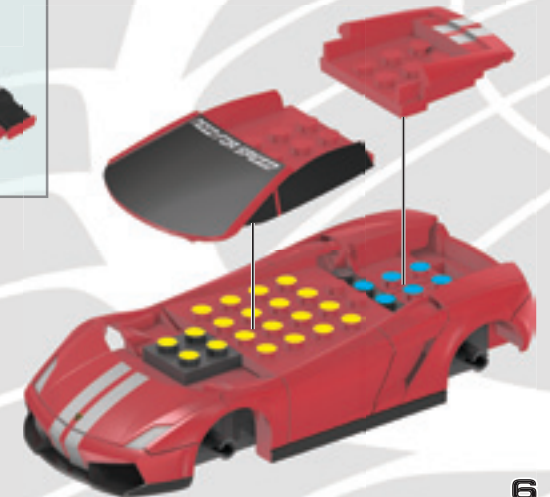
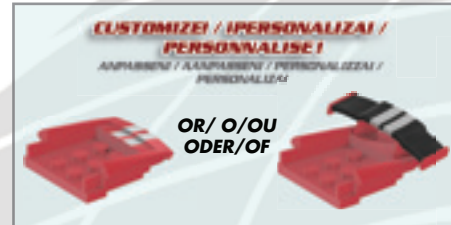
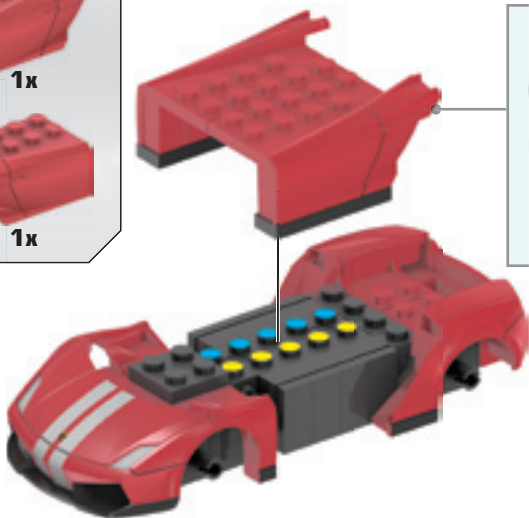
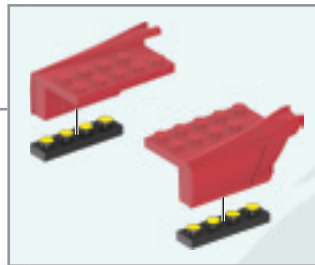
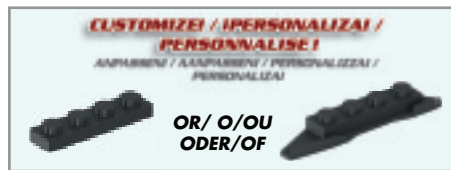
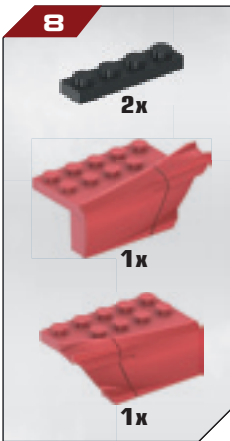
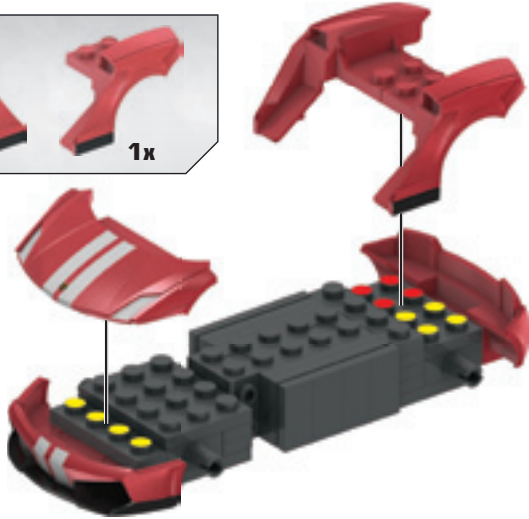
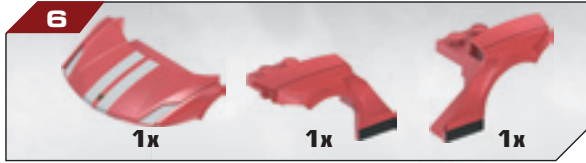
- EN** Please read these instructions carefully before first use and keep them for future reference.
- ES** Leer estas instrucciones cuidadosamente antes de la primera utilización y guardarlas para referencia futura.
- FR** Il est recommandé de lire attentivement ce feuillet avant la première utilisation et de le conserver pour référence future.
- DE** Die Gebrauchsanleitung bitte durchlesen und aufbewahren.
- NL** Wij raden u aan deze handleiding zorgvuldig te lezen en te bewaren voor eventuele raadpleging op een later tijdstip.
- DA** Vær venlig at læse disse instruktioner omhyggeligt inden ibrugtagen og opbevar dem til fremtidigt brug.
- EL** Διαβάστε αυτές τις οδηγίες προσεκτικά πριν χρησιμοποιήσετε το προϊόν για πρώτη φορά και φυλάξτε τις για μελλοντική αναφορά.
- FI** Lue nämä ohjeet huolellisesti ennen ensimmäistä käyttöä ja säilytä ne myöhempää tarvetta varten.
- IT** Leggere le istruzioni prima di cominciare ad usare il gioco e conservarle per referenze future.
- NO** Les disse instruksjonene nøye før første gangs bruk, og ta vare på dem for fremtidige oppslag.
- PT** Leia as instruções antes do primeiro uso e guarde-as para futura referência.
- SV** Läs noggrant igenom dessa instruktioner innan du använder produkten för första gången och spara dem för ev. framtida frågor.
- JA** 初めてご使用になる前に、この説明書をよくお読みください。また、本書は将来いつでも参照できるように保管してください。
- ZH** 请在初次使用前仔细阅读这些指示，并保留它们以便未来参考。
- AR** يرجى قراءة هذه التعليمات بدقة قبل البدء بالاستعمال والاحتفاظ بها كمرجع للمستقبل.

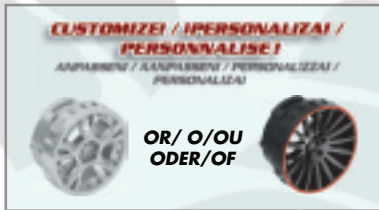
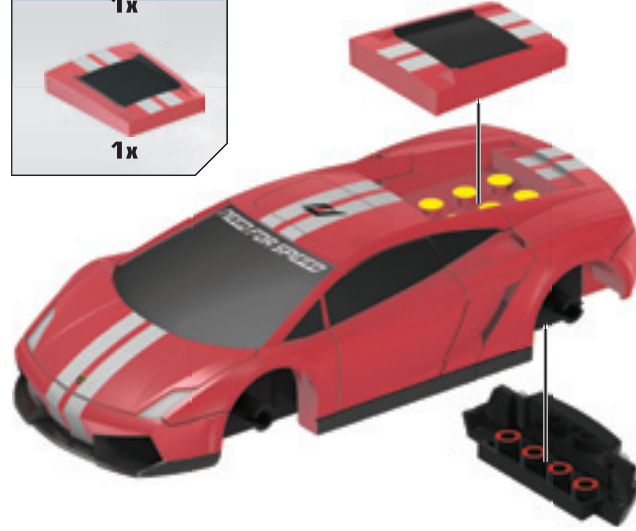
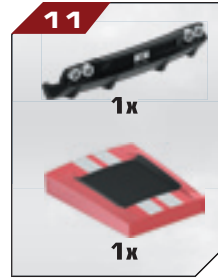
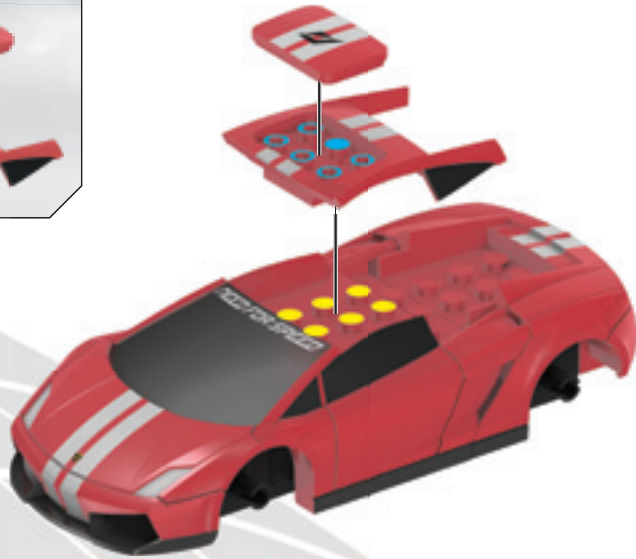
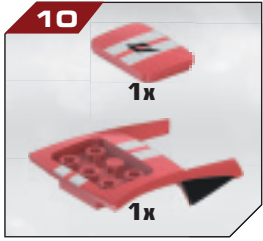


- EN** ⚠️ **WARNING :**
CHOKING HAZARD. - Small parts.
Not for children under 3 years.
- ES** ⚠️ **ADVERTENCIA :**
RIESGO DE ASFIXIA. - Contiene piezas pequeñas.
No recomendado para niños menores de 3 años.
- FR** ⚠️ **ATTENTION :**
DANGER D'ÉTOUFFEMENT. - Présence de petits éléments.
Ne convient pas aux enfants de moins de 3 ans.
- DE** ⚠️ **ACHTUNG :**
ERSTICKUNGSGEFAHR. - Enthält kleine Teile.
Nicht für Kinder unter 3 Jahren geeignet.
- NL** ⚠️ **WAARSCHUWING :**
VERSTIKKINGSGEVAAR. - Bevat kleine onderdelen.
Niet geschikt voor kinderen onder de 3 jaar.
- DA** ⚠️ **ADVARSEL :**
FARE FOR KVELNING. - Indeholder smådele.
Ikke til børn under 3 år.
- EL** ⚠️ **ΠΡΟΕΙΔΟΠΟΙΗΣΗ :**
ΚΙΝΔΥΝΟΣ ΠΝΙΓΜΟΥ. - Περιέχει μικρά αντικείμενα.
Όχι για παιδιά κάτω των 3 ετών.
- FI** ⚠️ **VAROITUS :**
TUKEHTUMISVAARA. - Sisältää pieniä osia.
Ei alle 3-vuotiaille lapsille.
- IT** ⚠️ **AVVERTENZA :**
PERICOLO DI SOFFOCAMENTO. - Contiene piccole parti.
Non indicato per bambini sotto i 3 anni.
- NO** ⚠️ **ADVARSEL :**
KVELNINGSFARE. - Inneholder små deler.
Kun for barn over 3 år.
- PT** ⚠️ **ATENÇÃO :**
PERIGO DE ASFIXIA. - Contém peças pequenas.
Não é concebido para crianças de menos de 3 anos.
- SV** ⚠️ **VARNING :**
KVÄVNINGSRISK. - Innehåller små delar.
Inte för barn under 3 år.
- JA** ⚠️ **警告 :**
のどにつまる危険 小さな部品が含まれています
3歳以下の子供には与えないで下さい。
- ZH** ⚠️ **警告 :**
噎住危险 包含有小部件
不适合3岁以下的小孩玩。
- AR** ⚠️ **تحذير :**
خطر الاختناق - قطع صغيرة.
غير صالحة للأطفال أقل من 3 سنوات.



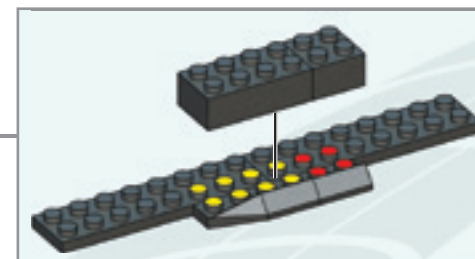
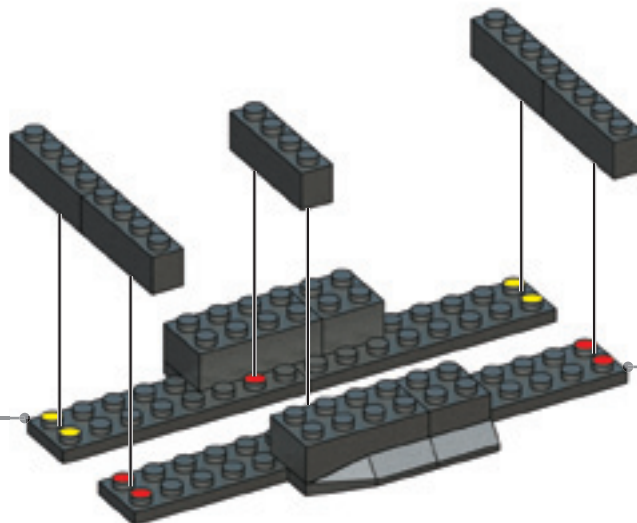
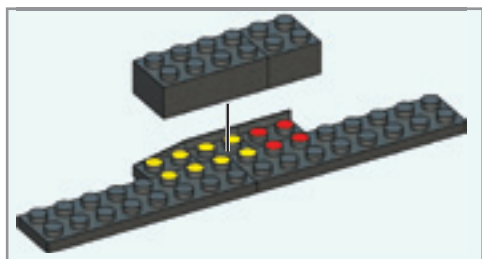
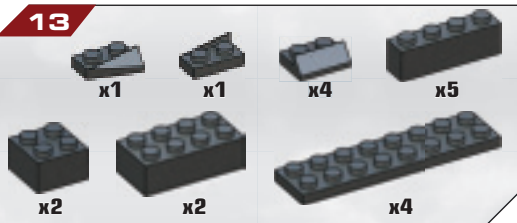




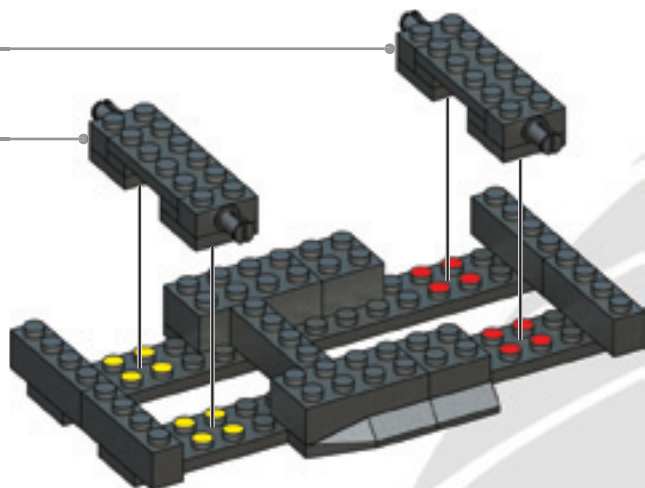
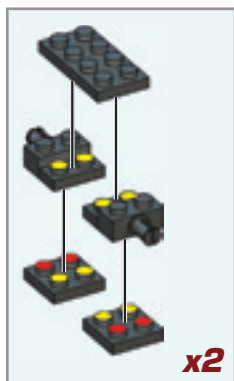




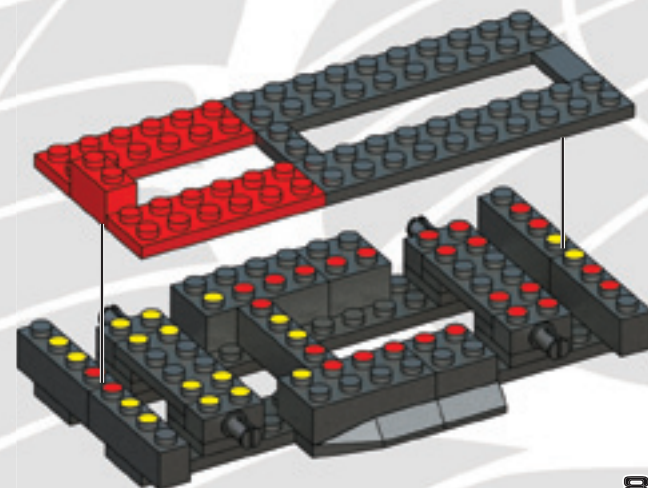
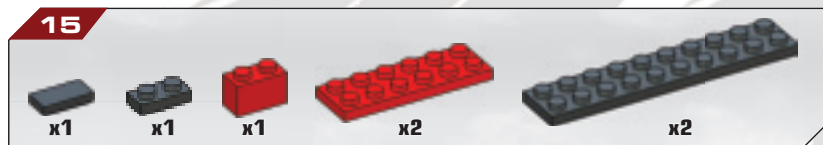
13

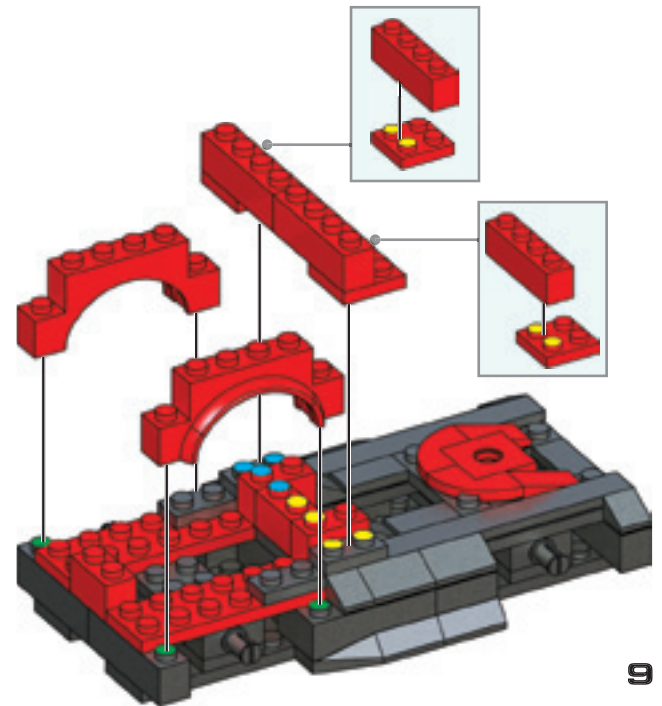
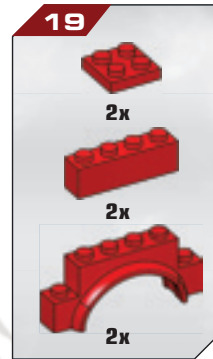
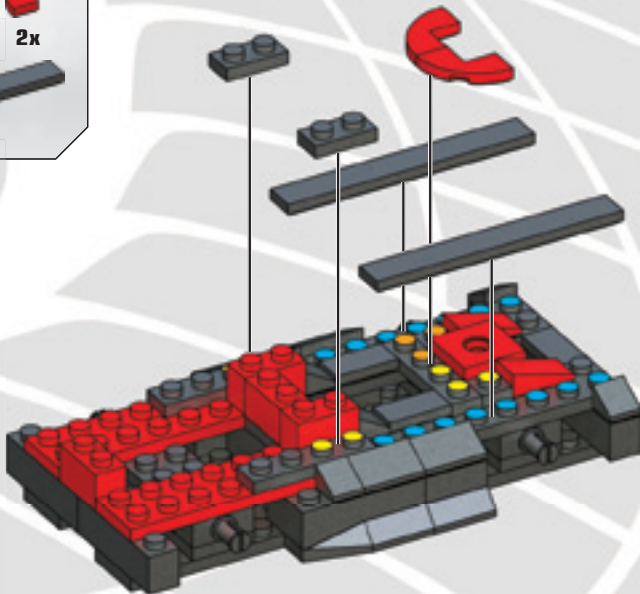
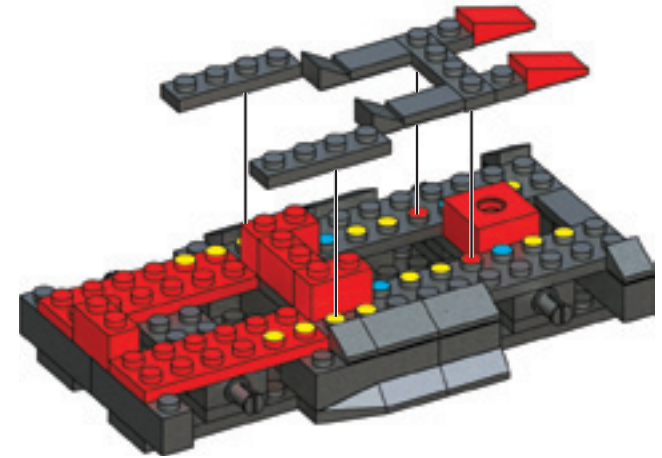
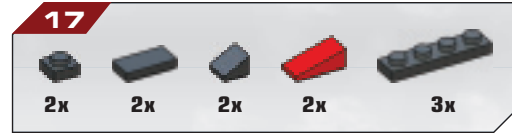
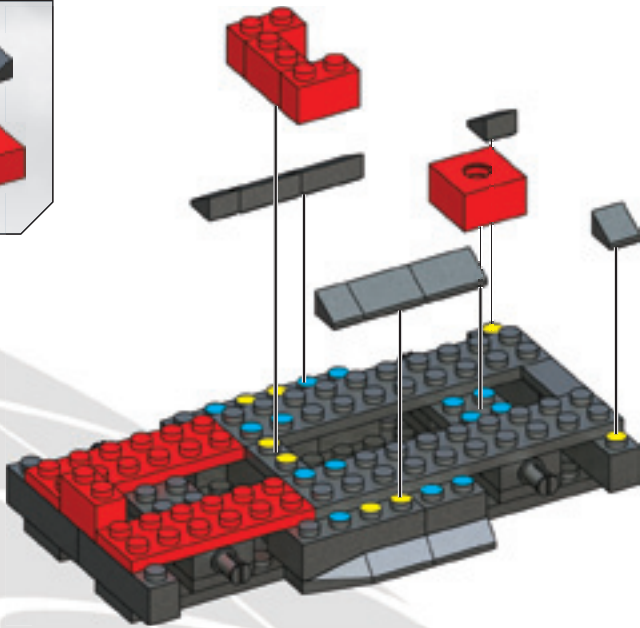
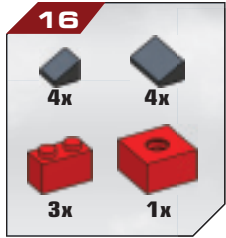


14



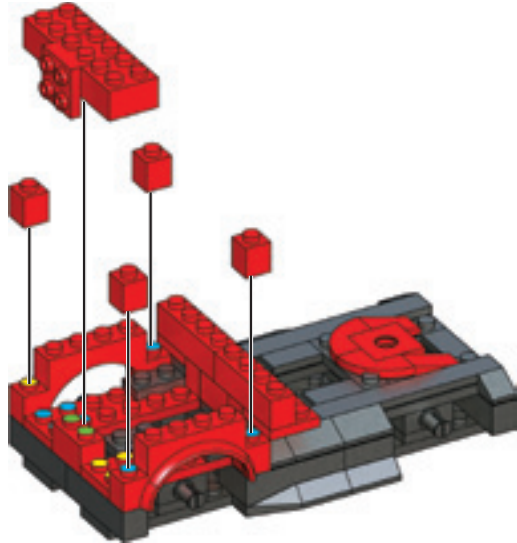
15





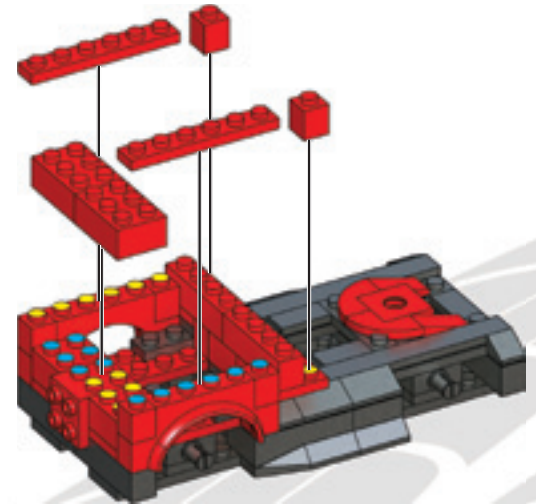
20

- 4x [1x1 Red Brick]
- 2x [1x2 Red Brick]
- 1x [1x2 Red Brick with Studs]



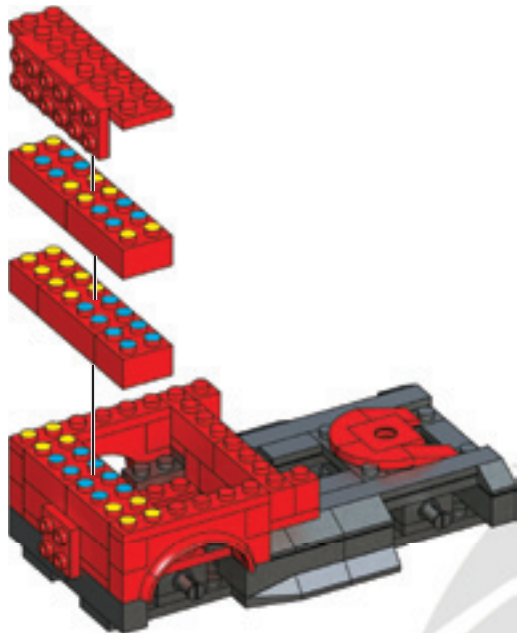
21

- 2x [1x1 Red Brick]
- 2x [1x2 Red Brick]
- 2x [1x6 Red Brick]



22

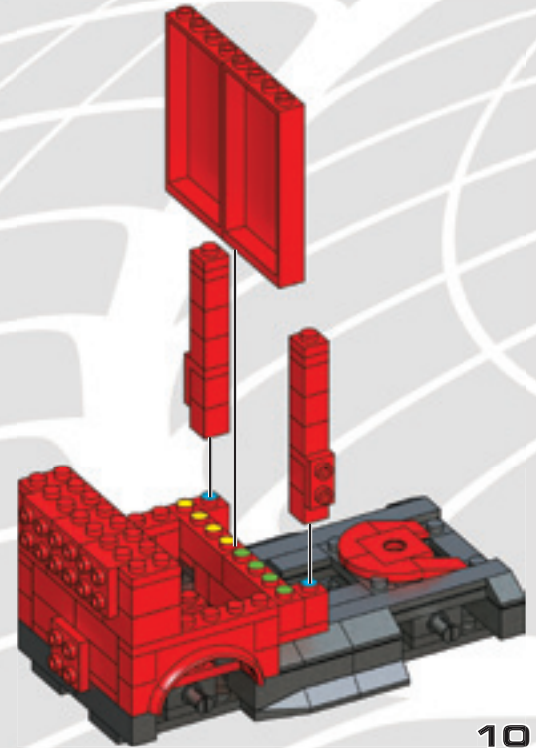
- 2x [1x2 Red Brick]
- 3x [1x2 Red Brick with Studs]
- 2x [1x2 Red Brick]
- 3x [1x4 Red Brick]

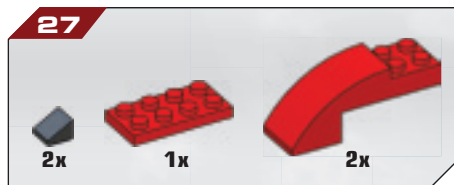
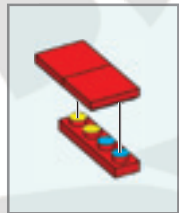
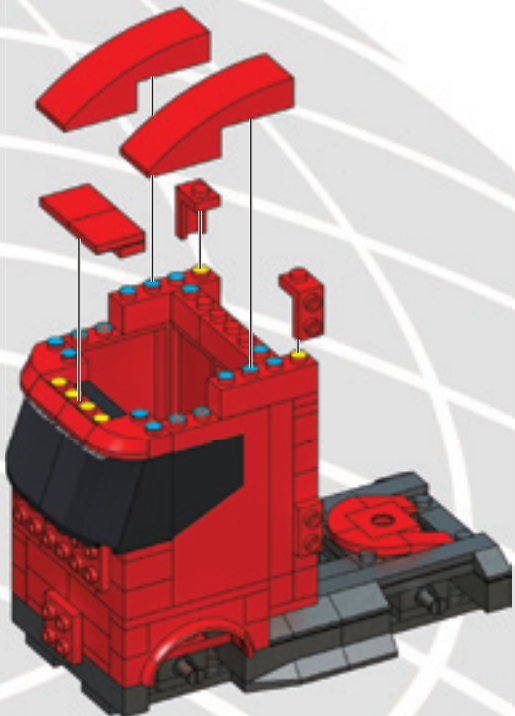
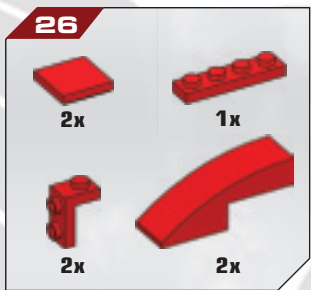
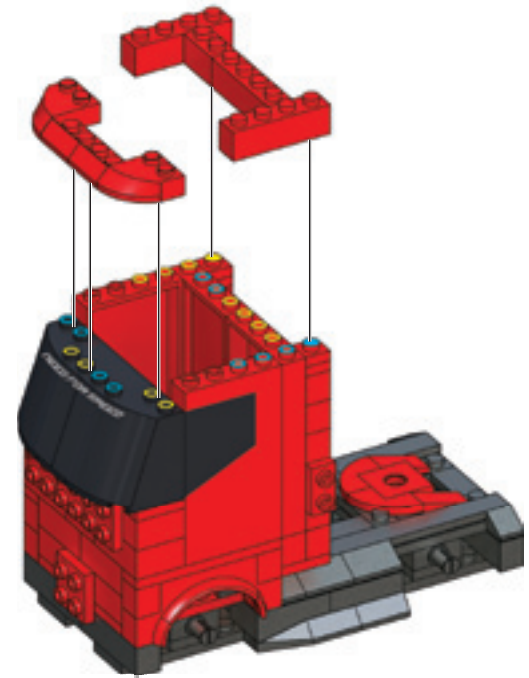
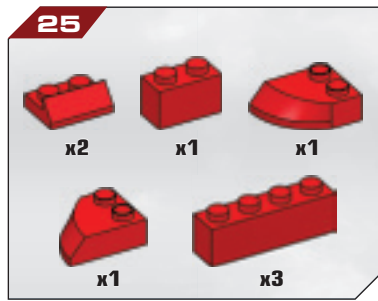
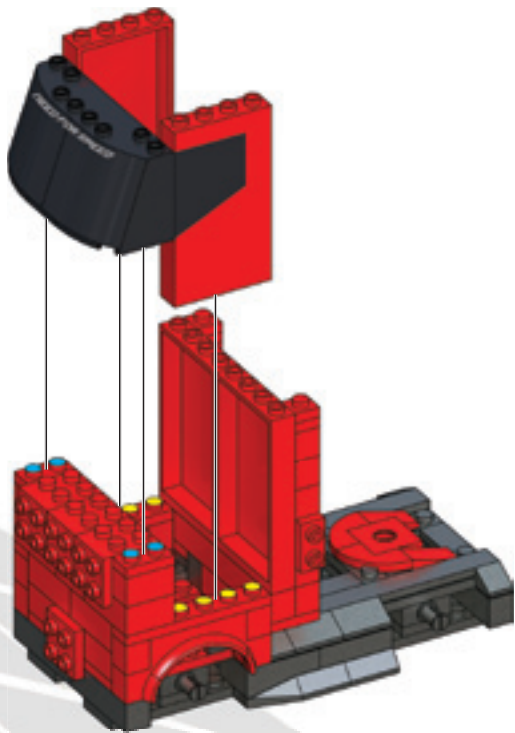
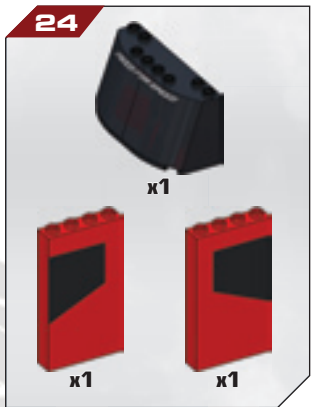


23

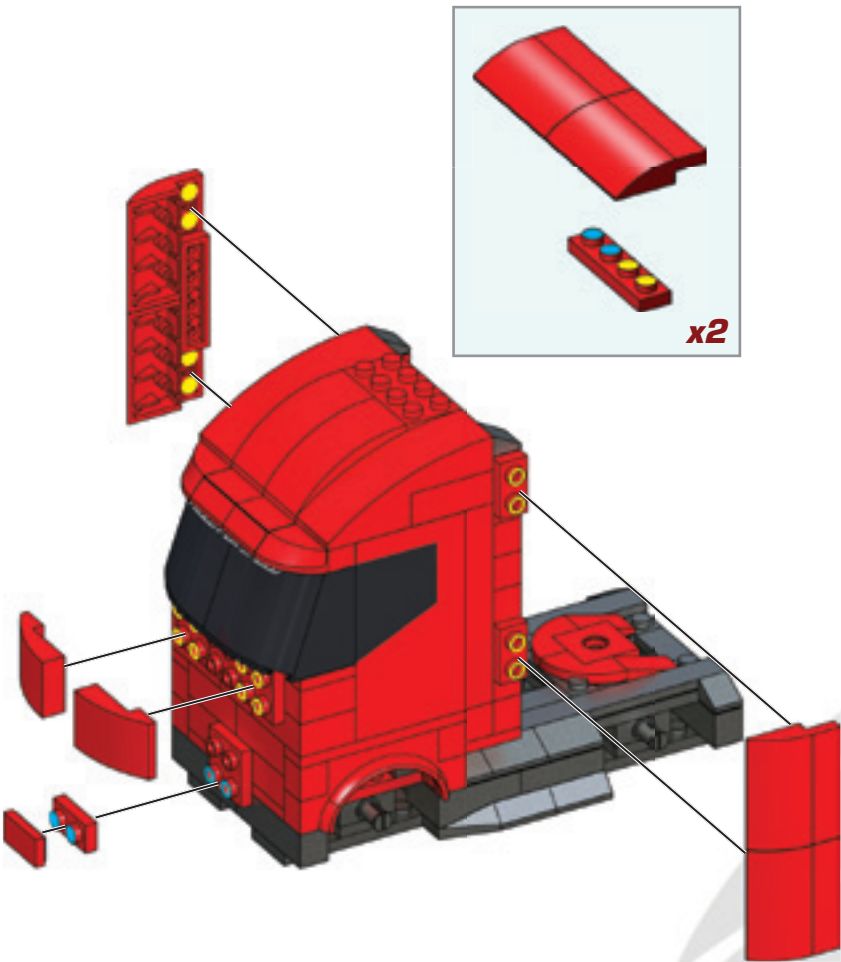
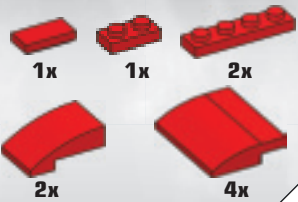
- 4x [1x1 Red Brick]
- 10x [1x2 Red Brick]
- 2x [1x2 Red Brick with Studs]
- 2x [1x6 Red Brick]

x2

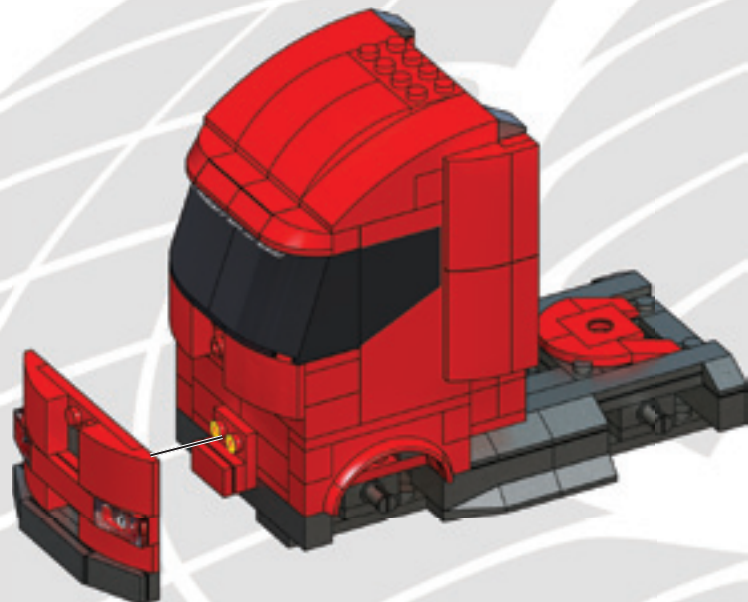
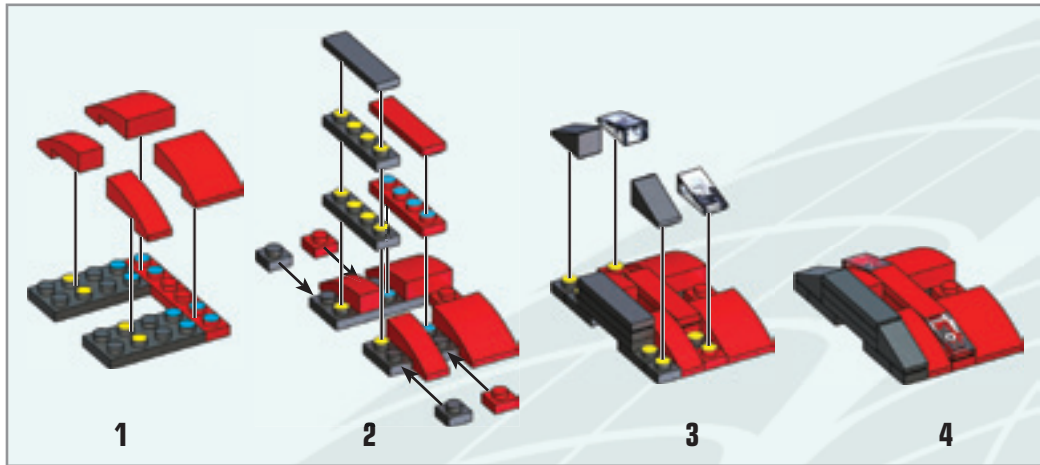
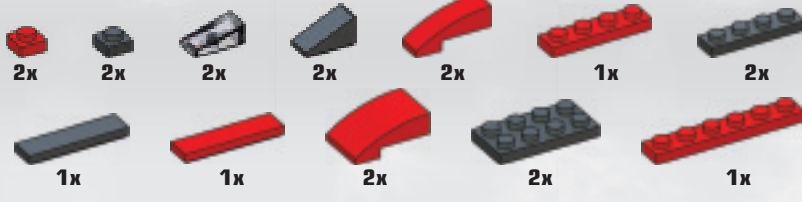




28



29



30



2x



1x



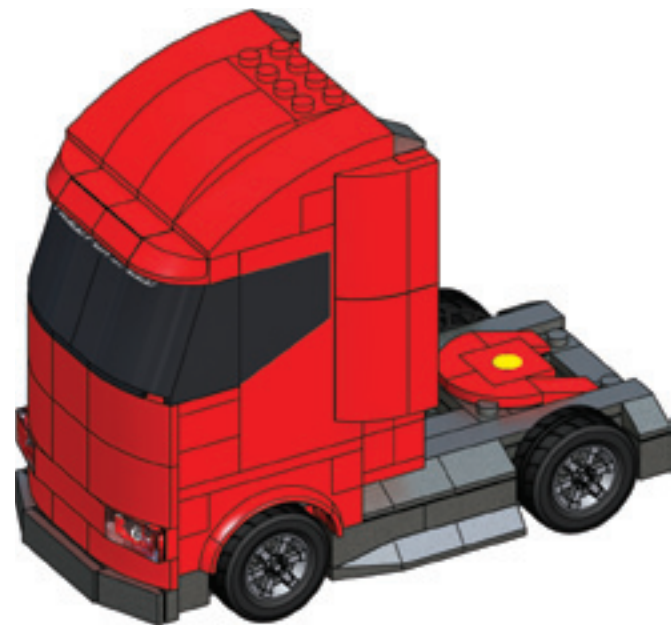
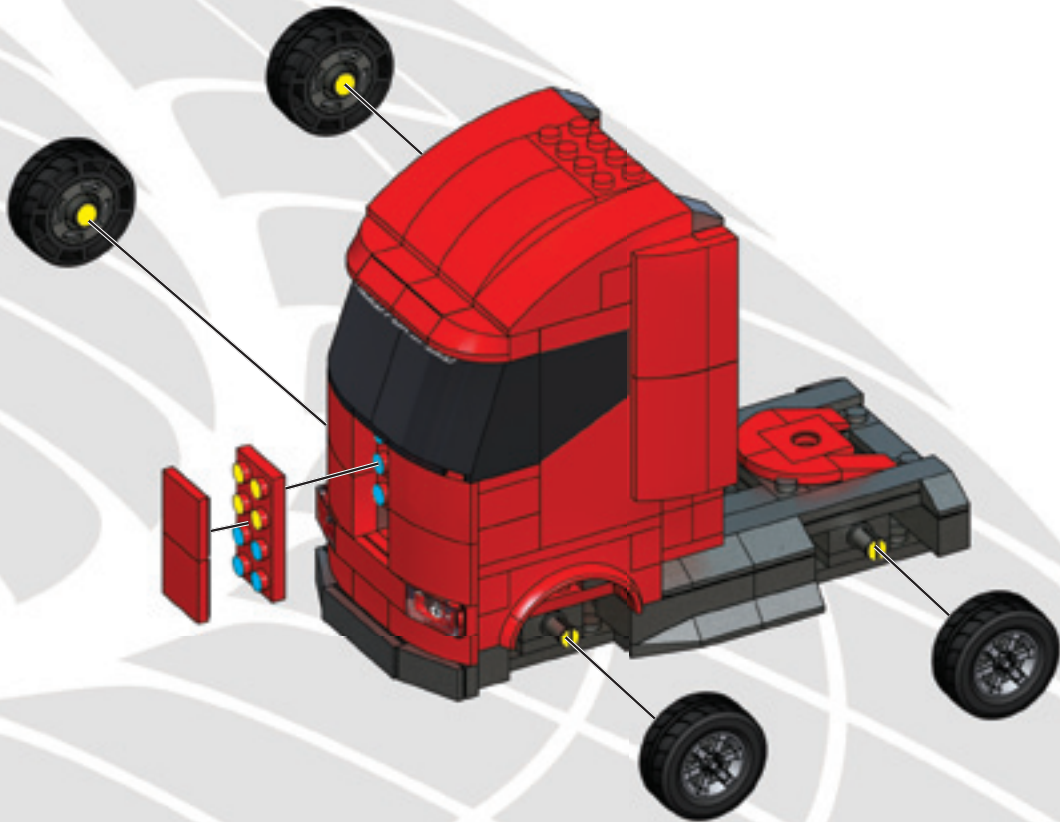
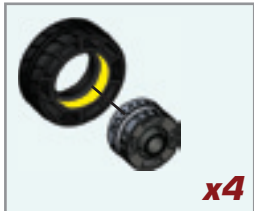
4x



4x



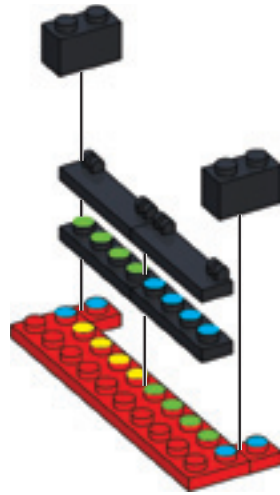
4x





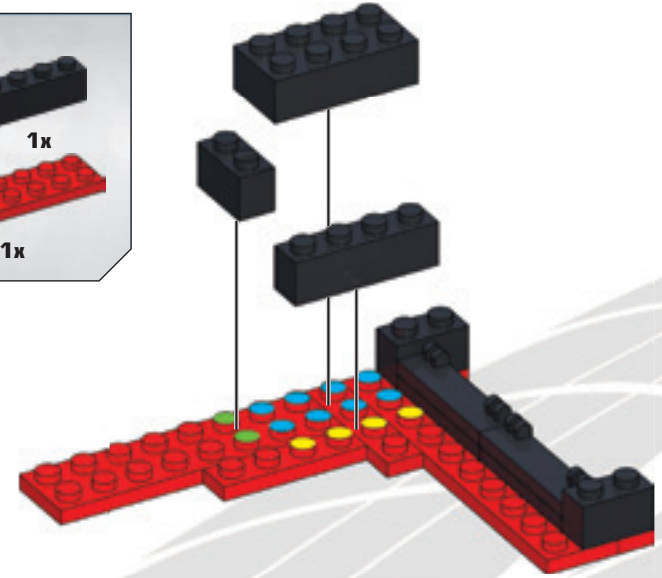
31

2x	2x
2x	2x
1x	



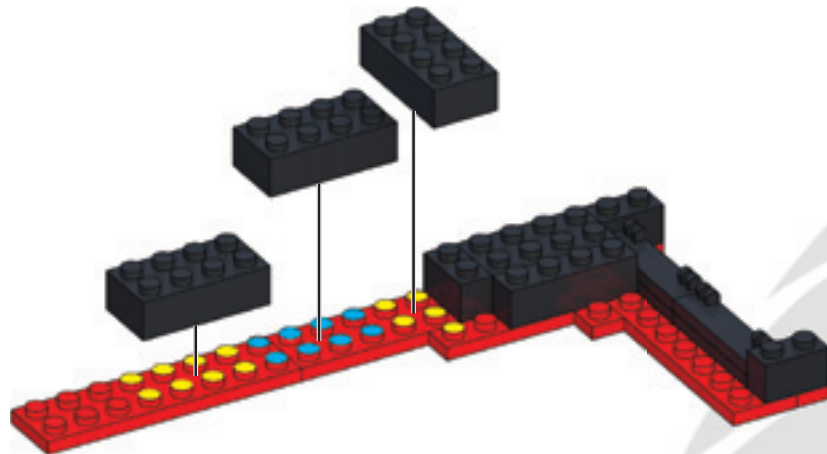
32

1x	2x	1x
1x	1x	



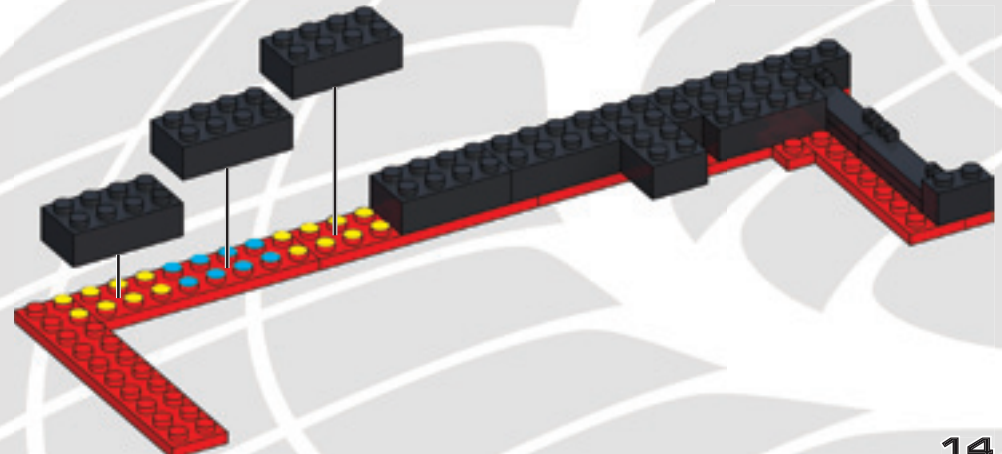
33

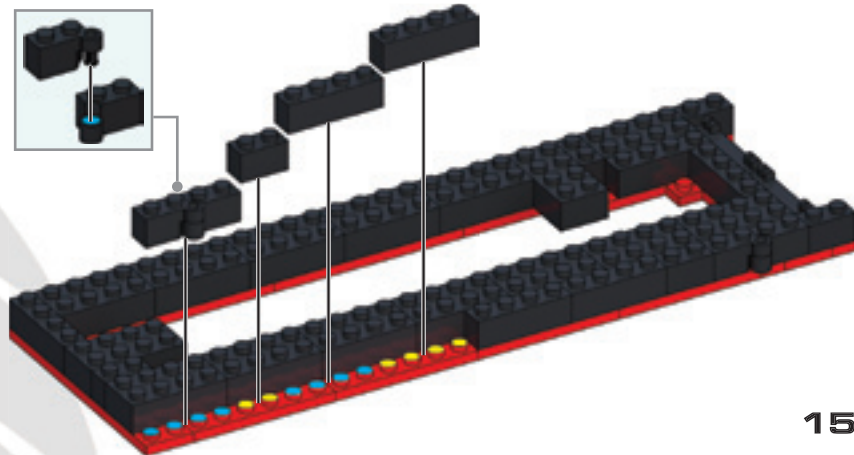
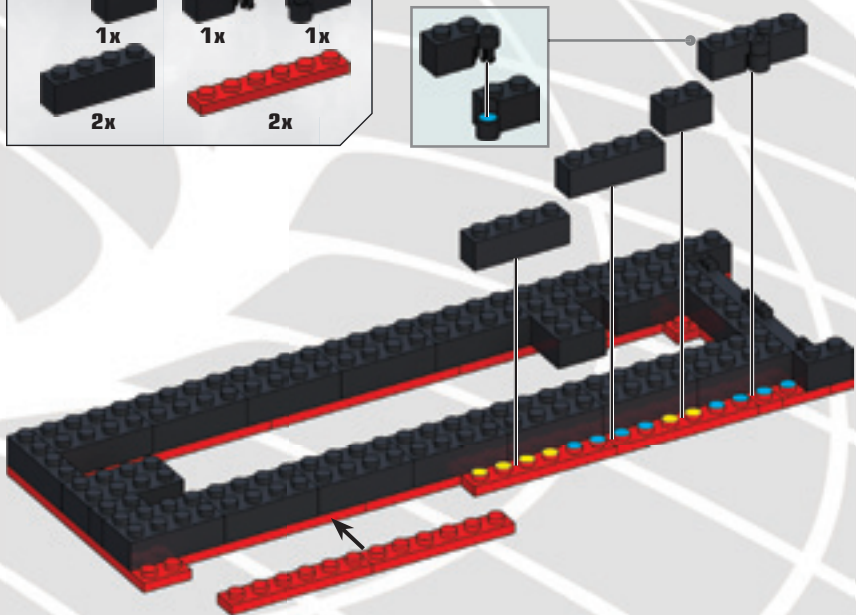
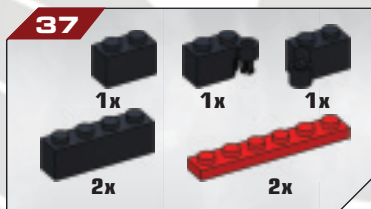
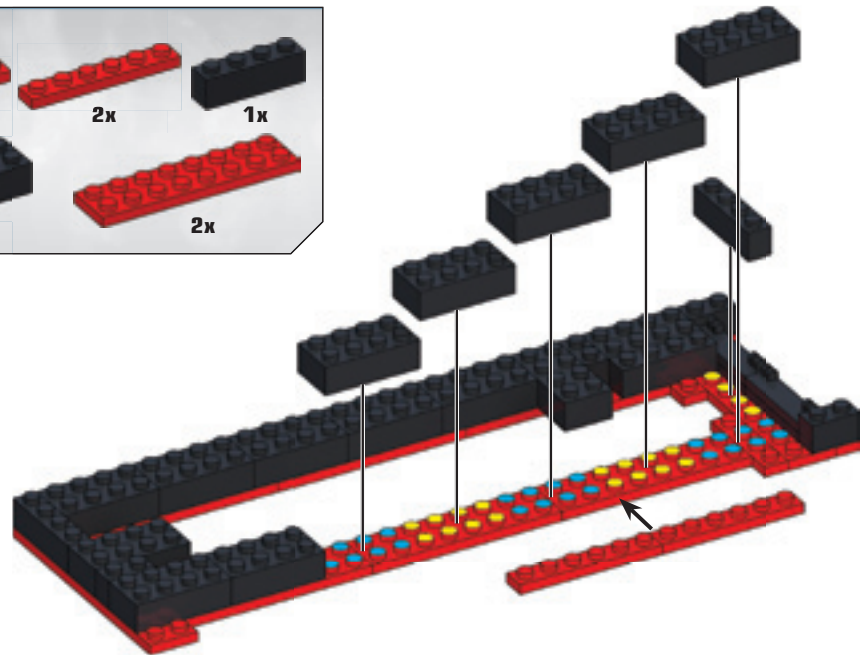
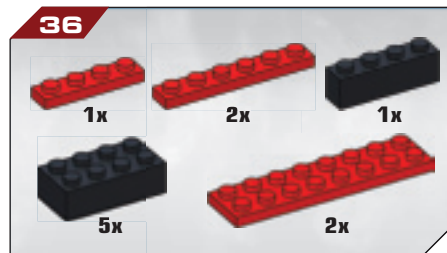
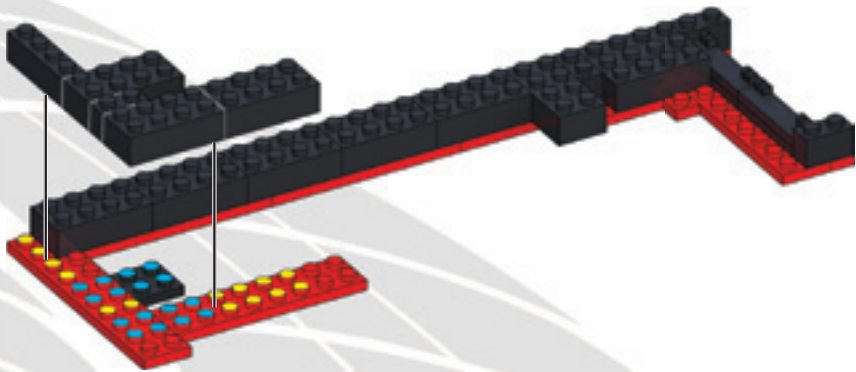
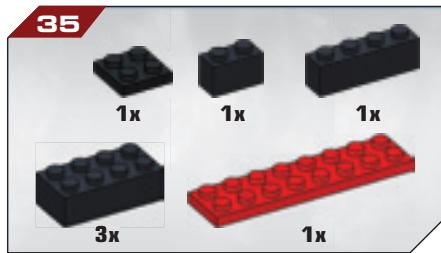
3x	1x



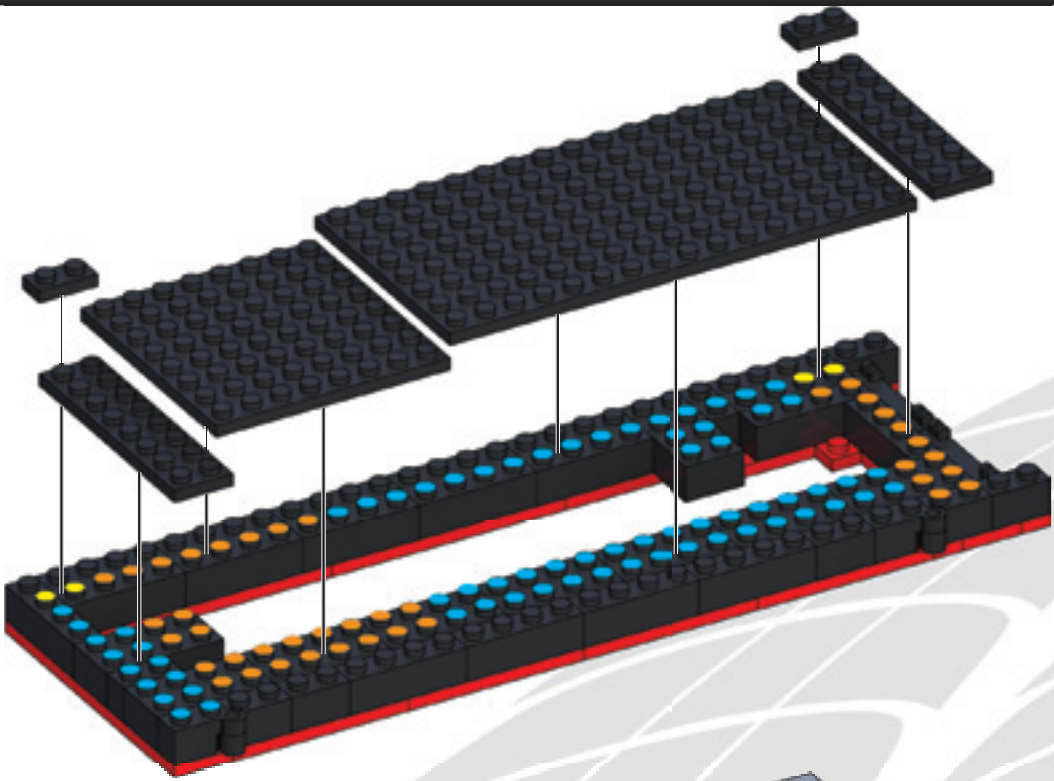
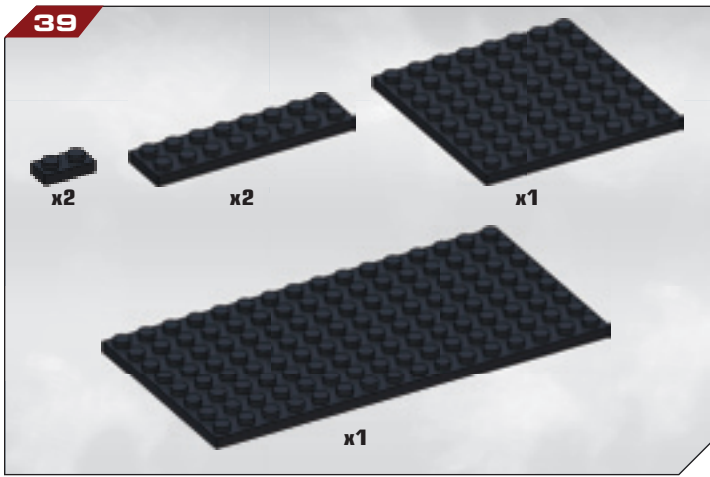
34

3x	1x	1x

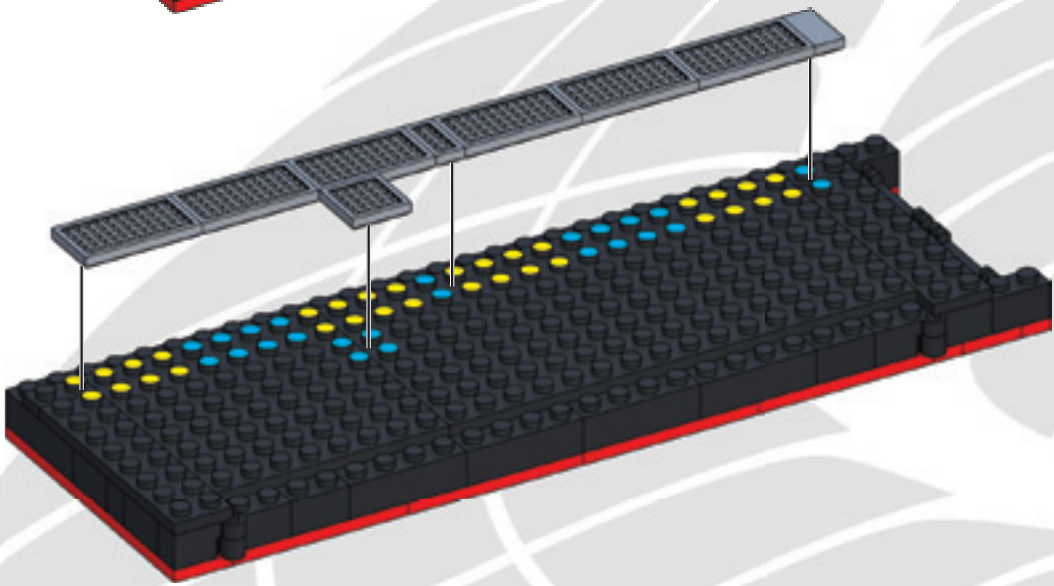
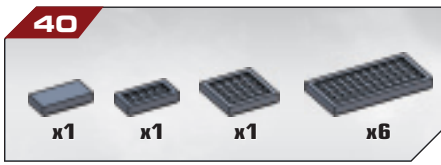


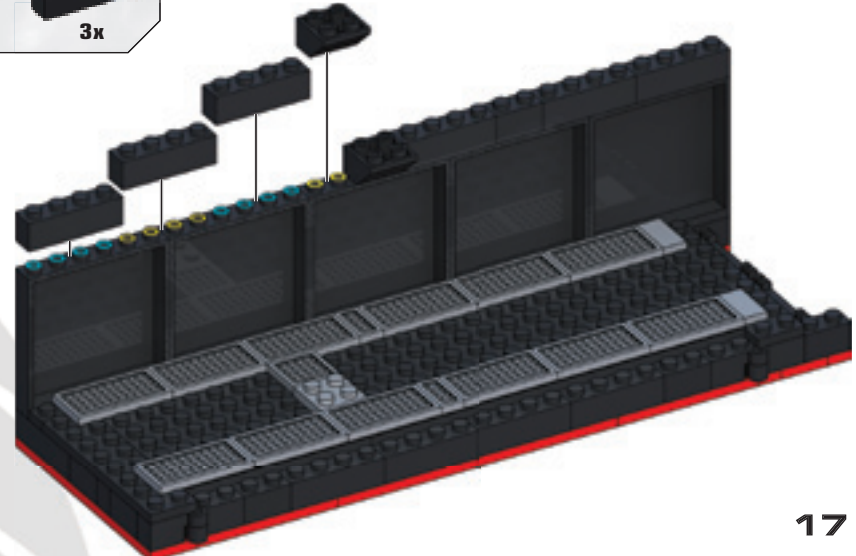
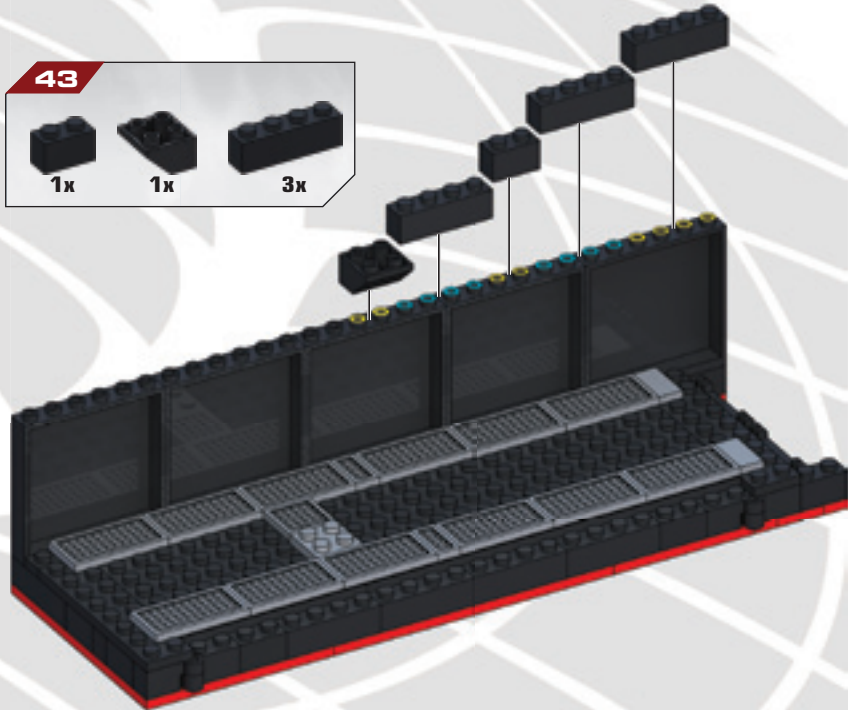
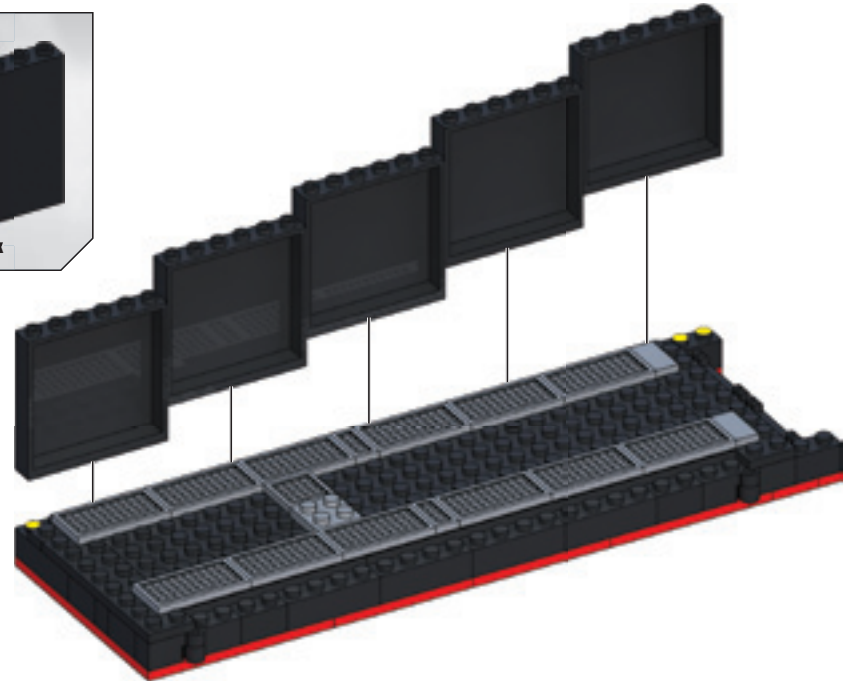
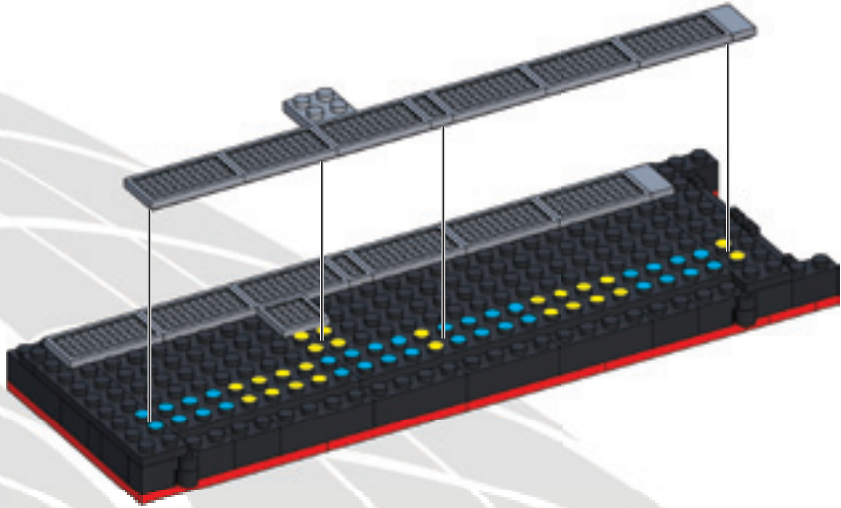
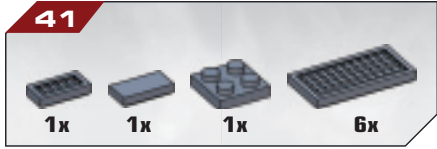


39

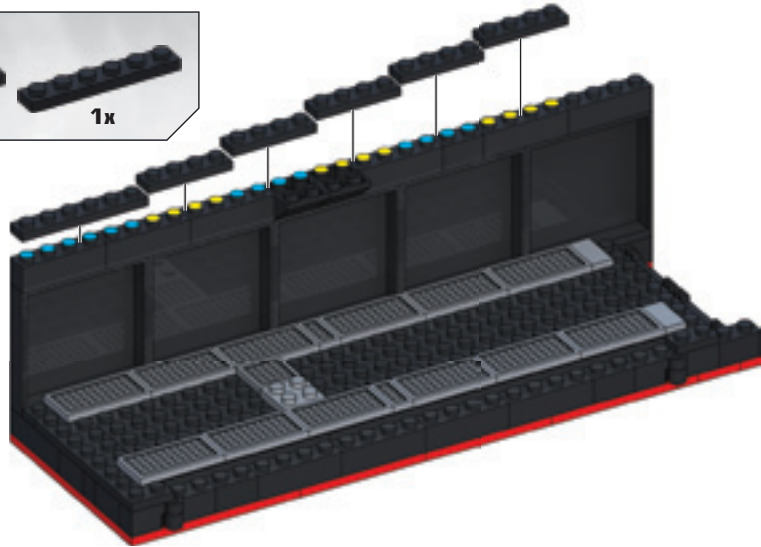


40





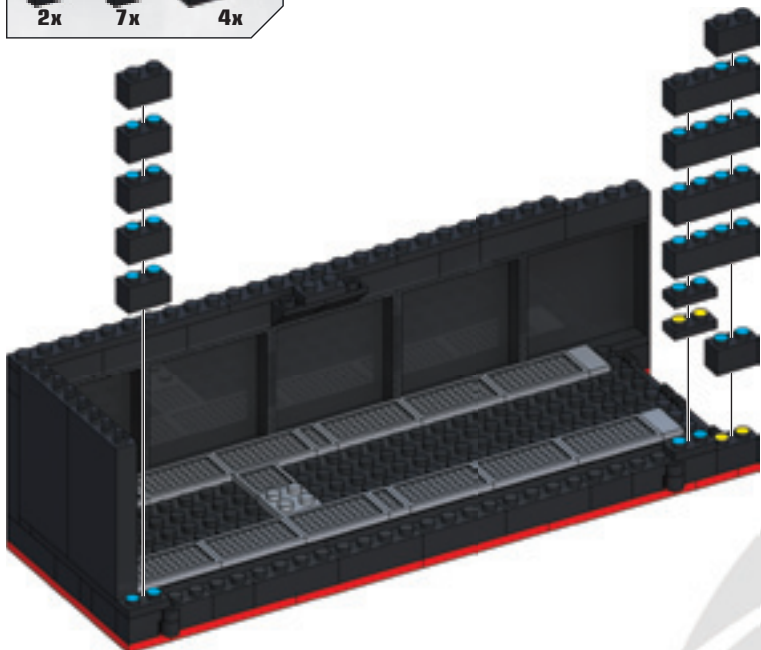
45
5x 1x



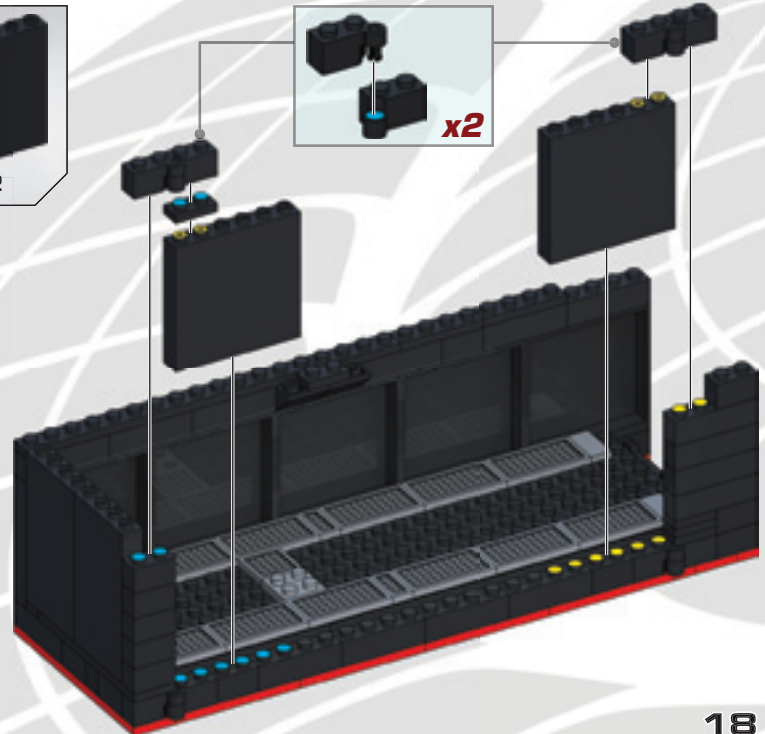
46
1x 2x



47
2x 7x 4x



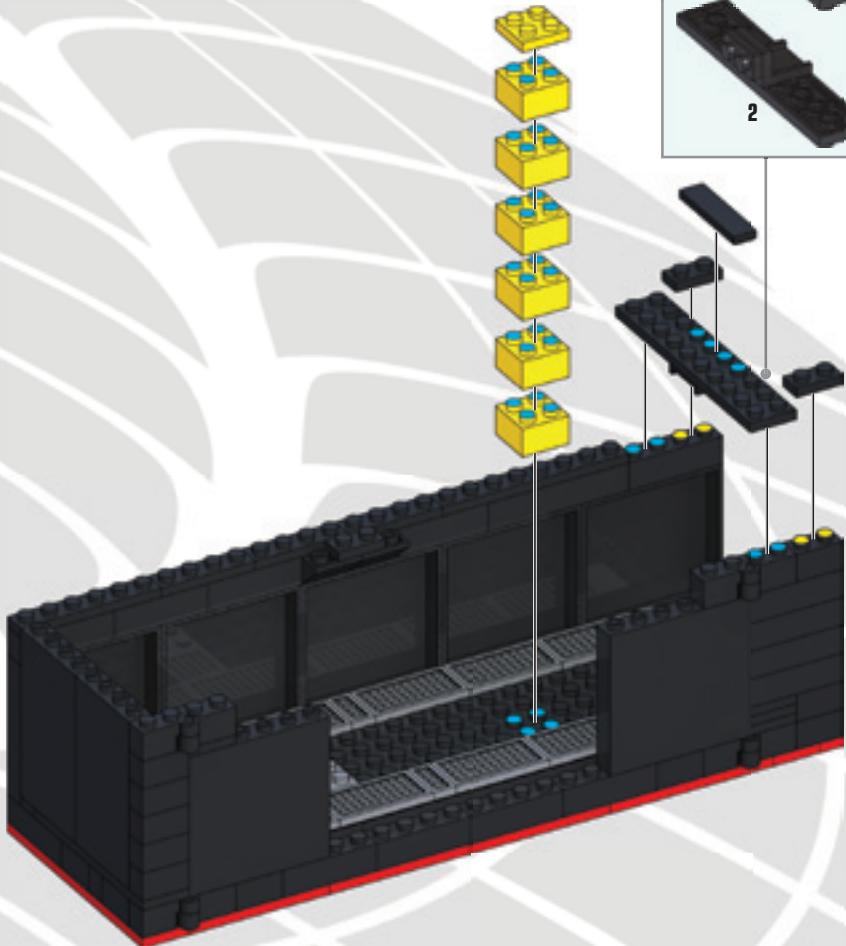
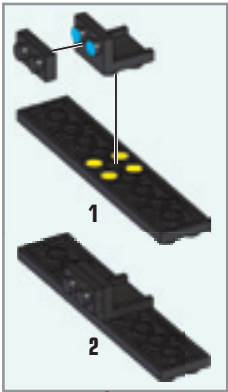
48
x2 x1 x2 x2 x2



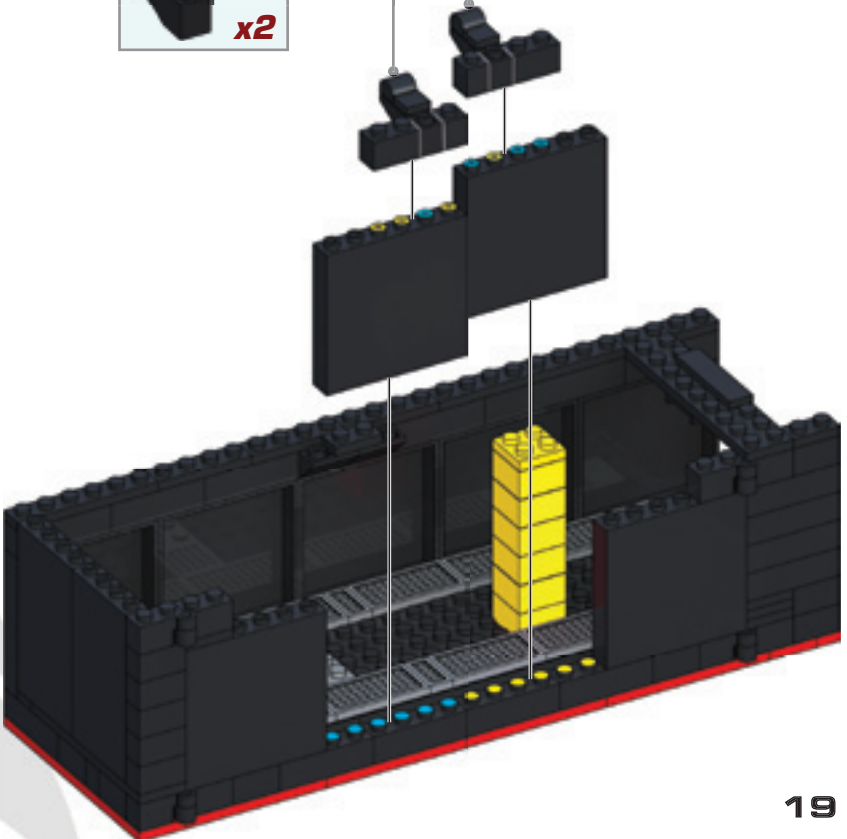
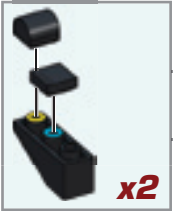
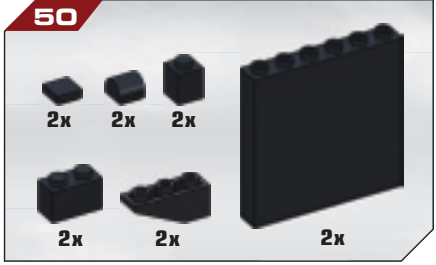
49



Place temporary pieces.
 Colocar las piezas provisionales.
 Installer les pièces temporaires.
 Provisorische Teile einsetzen.
 Instaleer de tijdelijke onderdelen.
 Piazzare i pezzi temporanei.
 Colocar peças temporárias.

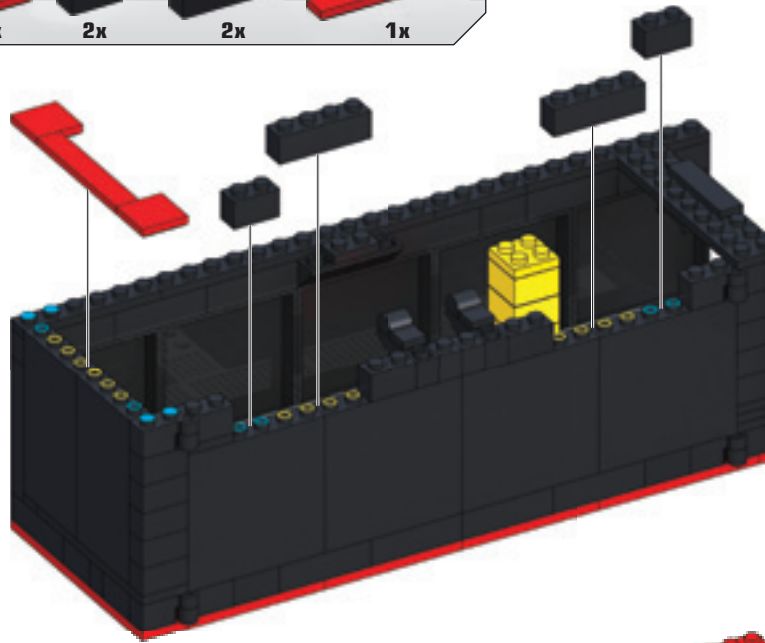


50



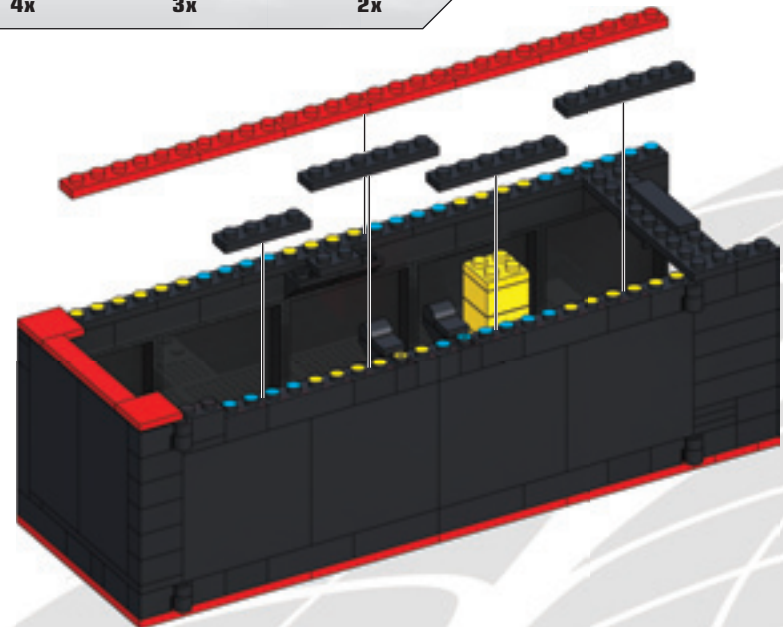
51

2x 2x 2x 1x



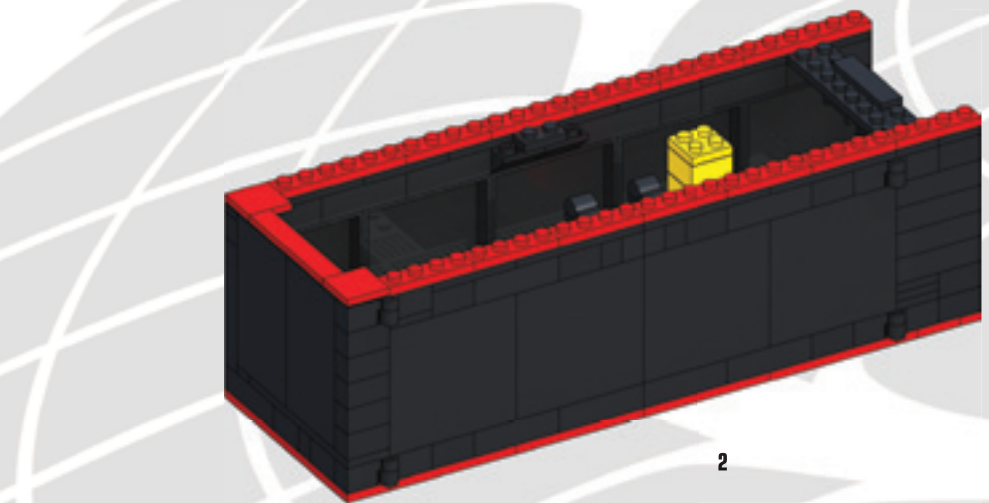
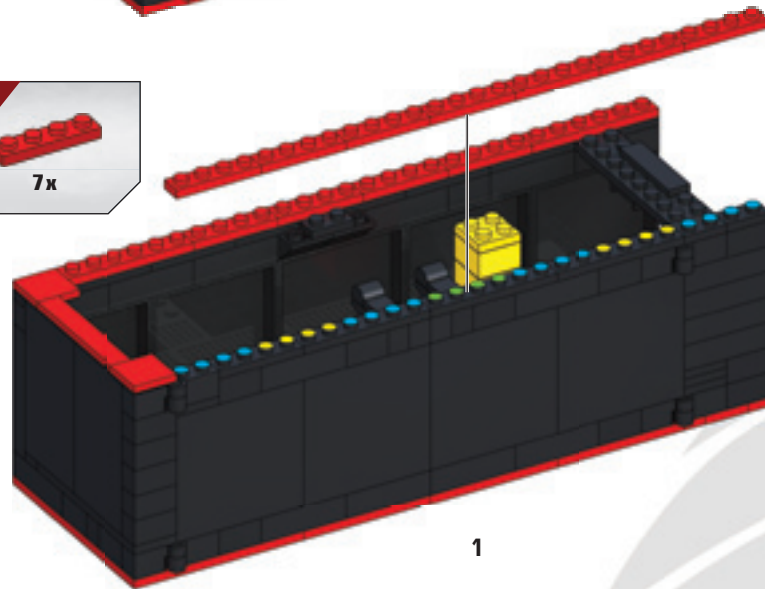
52

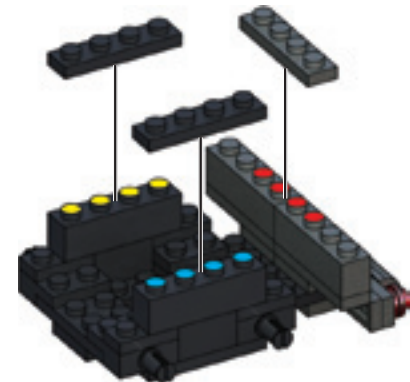
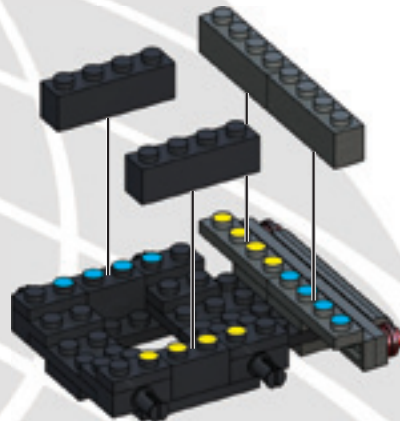
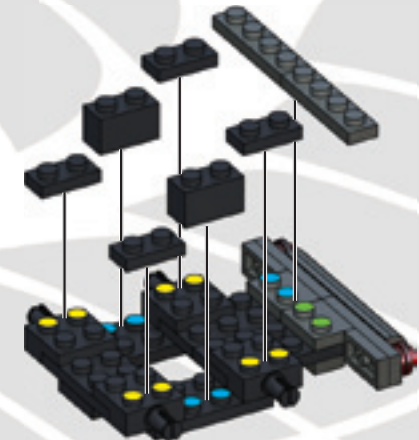
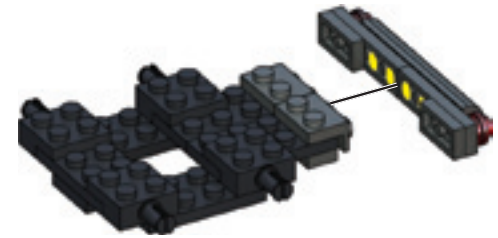
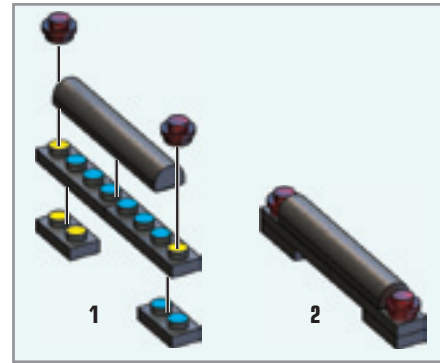
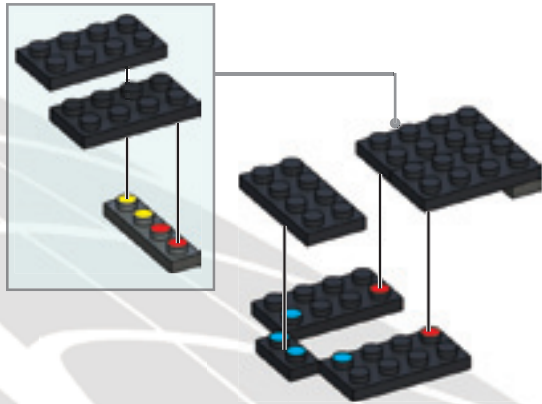
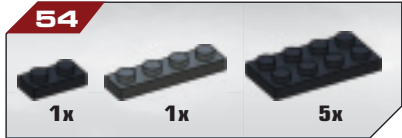
1x 4x 3x 2x

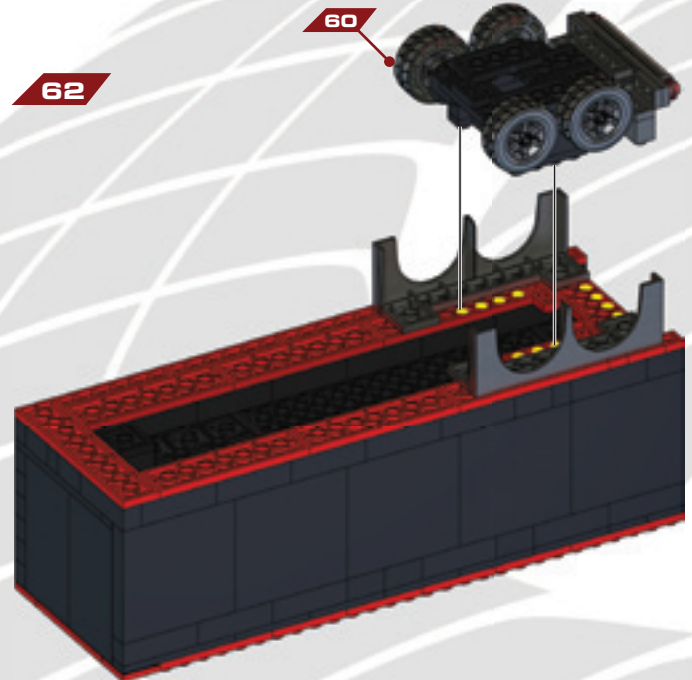
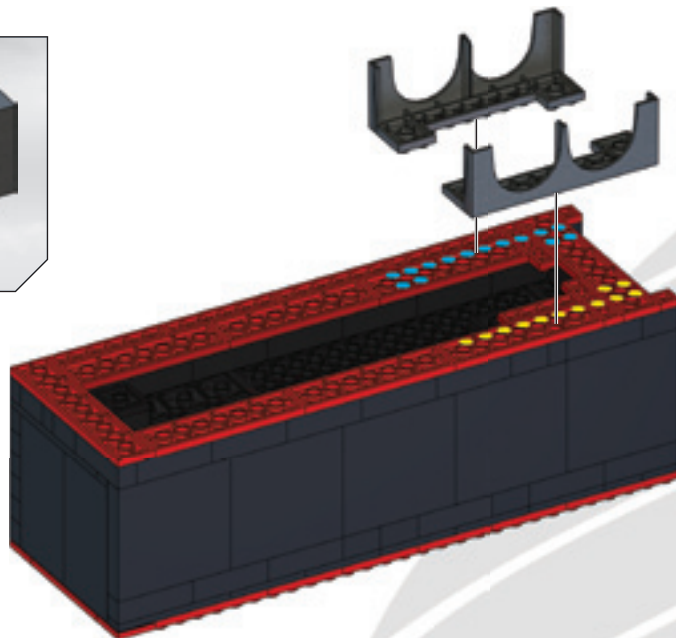
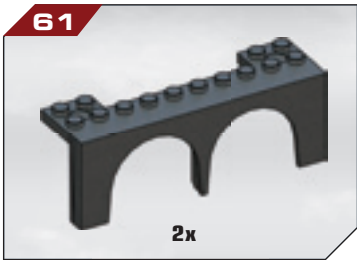
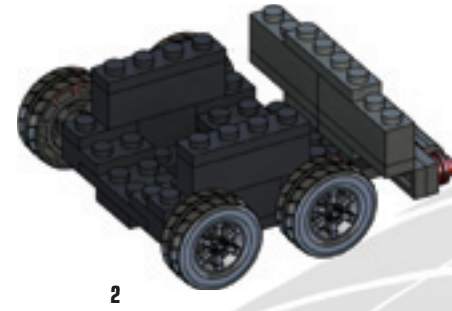
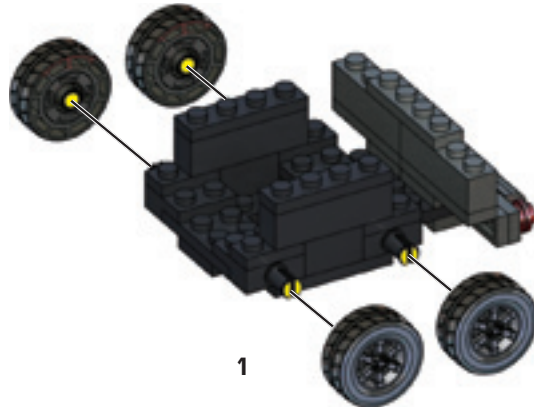


53

7x







63



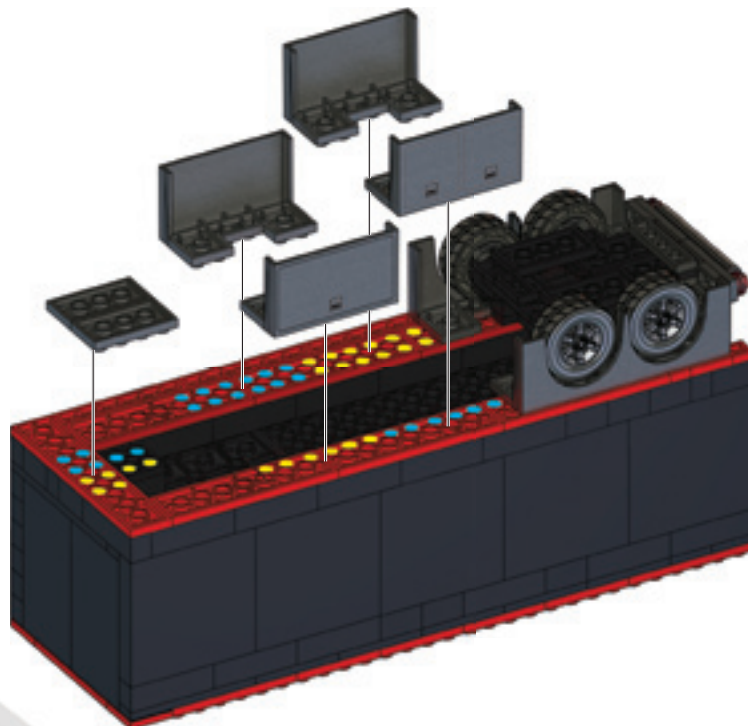
2x



2x



2x



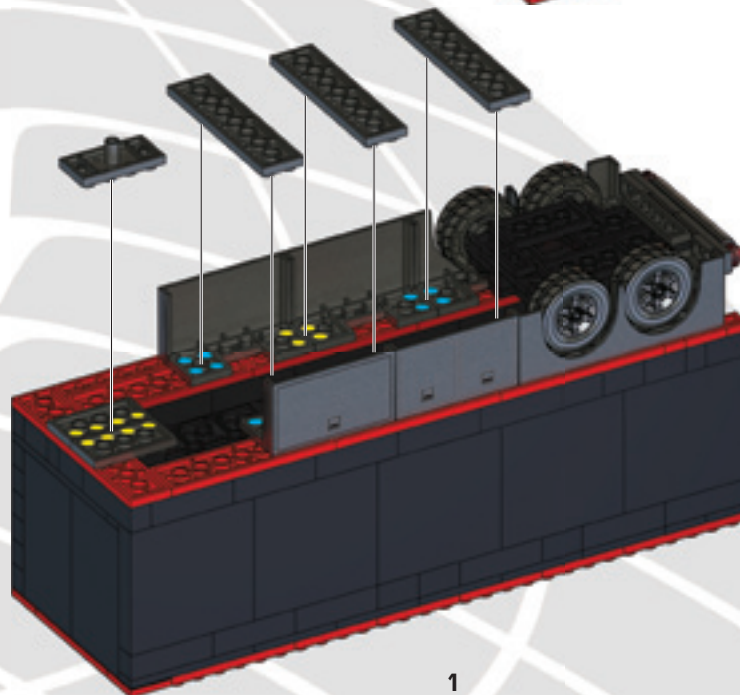
64



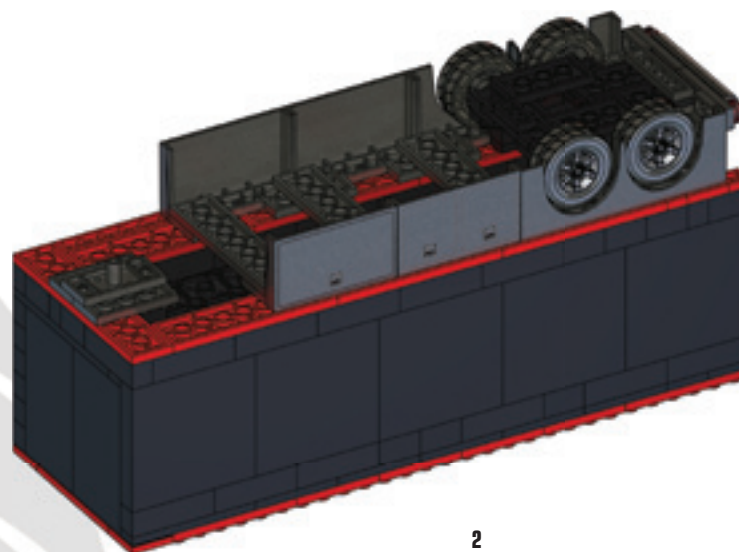
1x



3x

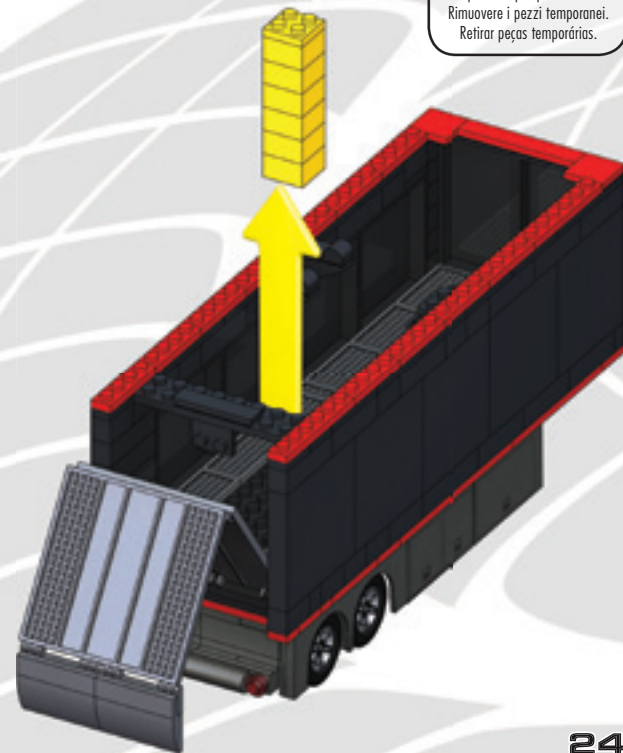
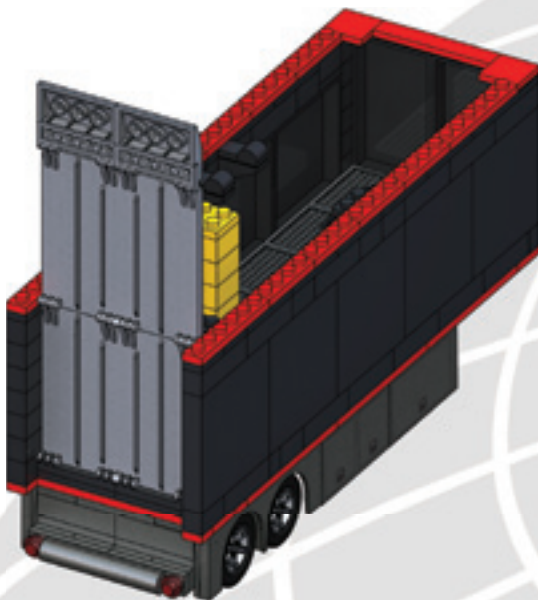
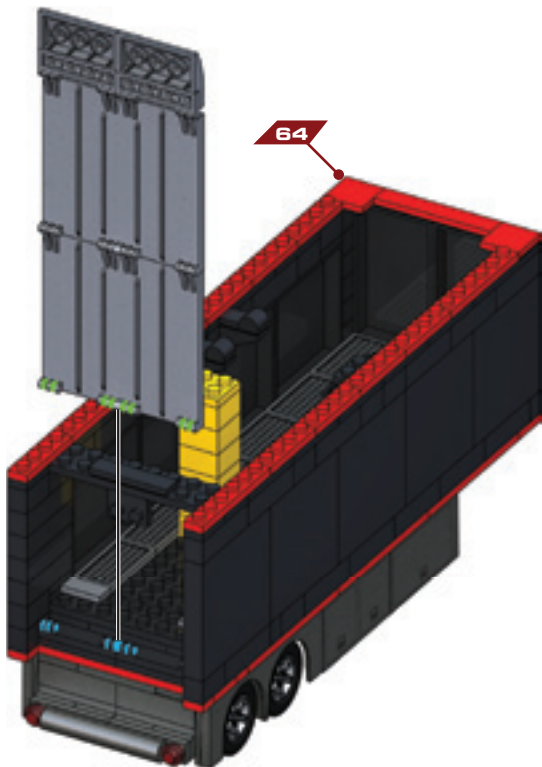
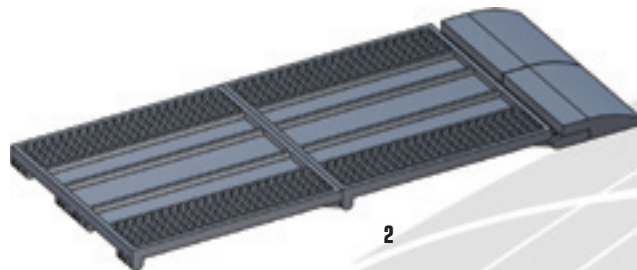
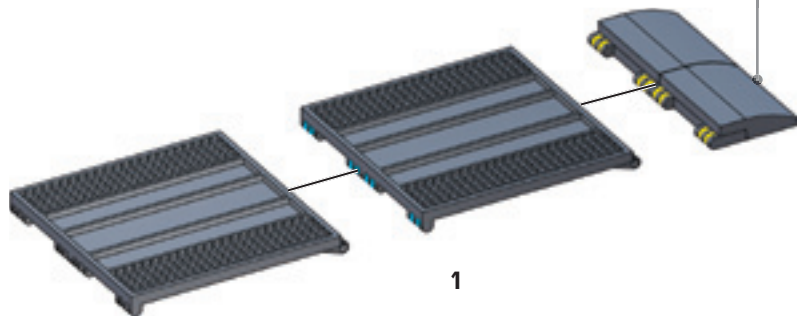
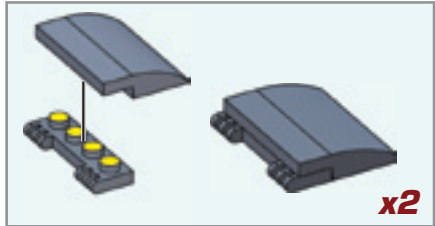
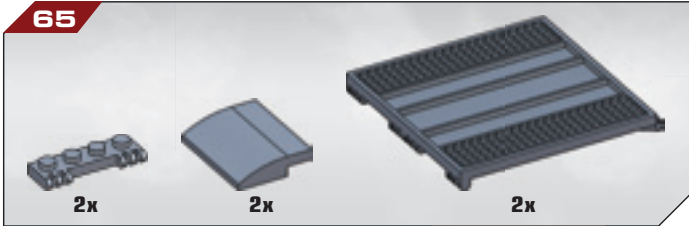


1

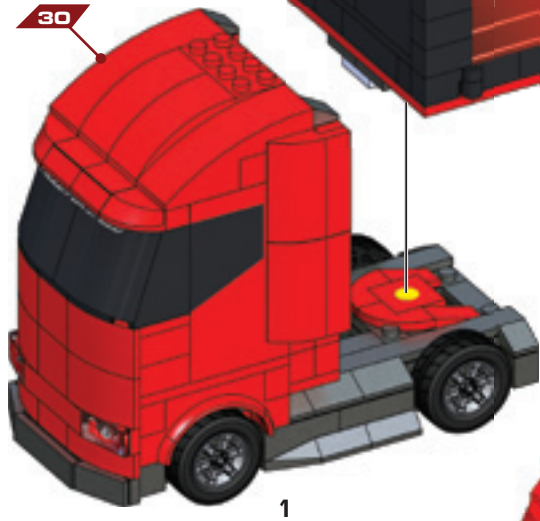
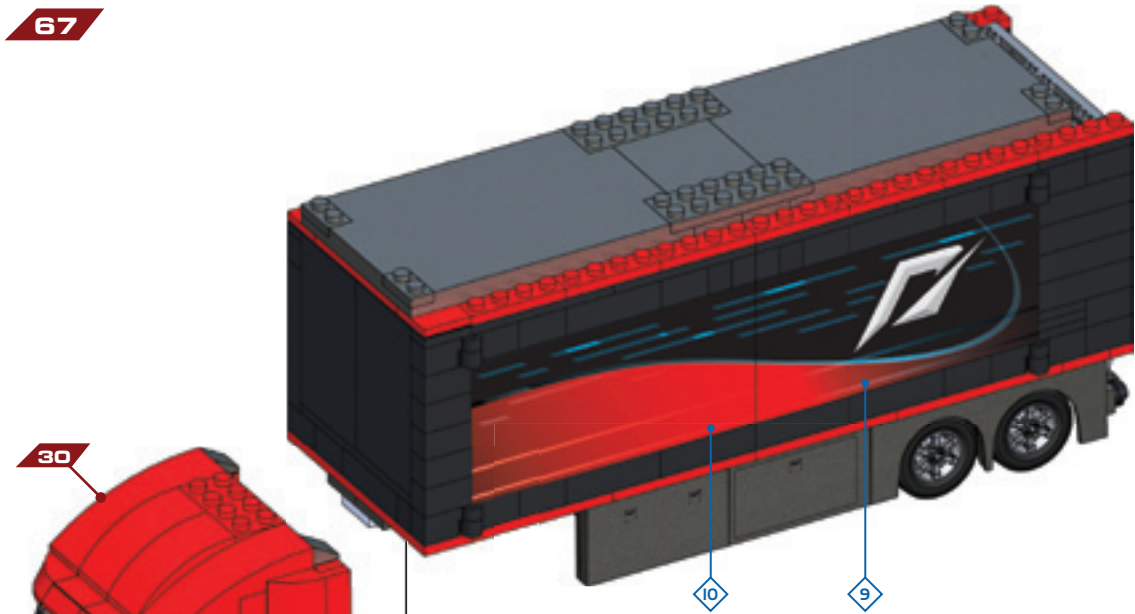


2

65



Remove temporary pieces.
Retirar las piezas provisionales.
Enlever les pièces temporaires.
Provisorische Teile entfernen.
Verwijder de tijdelijke onderdelen.
Rimuovere i pezzi temporanei.
Retirar peças temporárias.



1

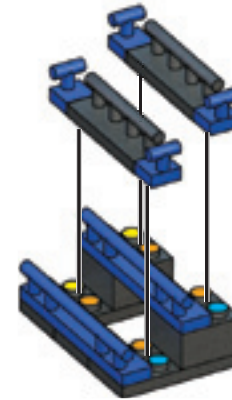
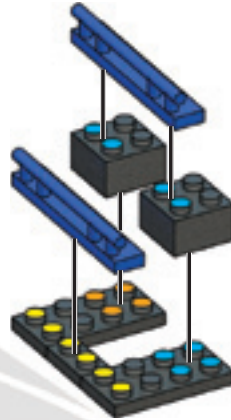


2

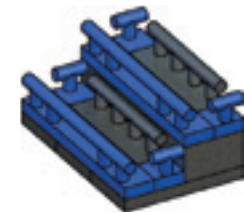
- 1
- 3
- 4
- 5
- 6
- 7
- 8
- 9
- 10



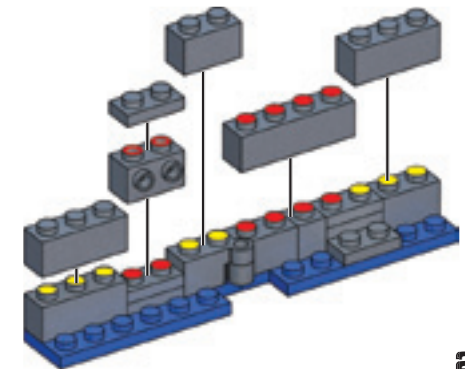
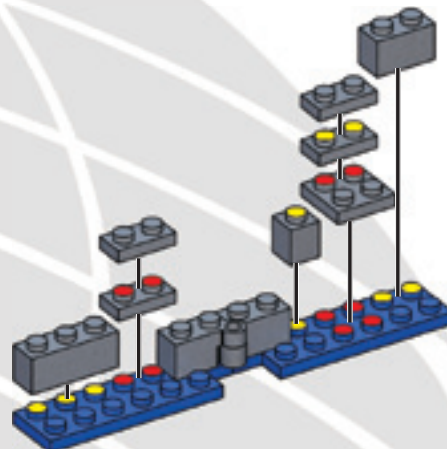
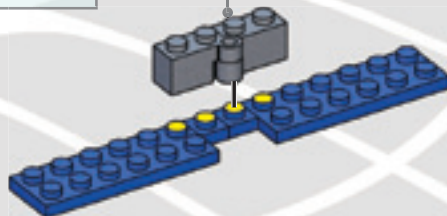
Choose best place for extra stickers
 Selecciona el mejor lugar para las pegatinas adicionales
 Place les autres autocollants à l'endroit de ton choix
 Wähle die ideale Stelle für Extra-Aufkleber
 Kies de beste plek voor extra stickers
 Scegli il posto migliore per gli altri adesivi
 Escolha o melhor local para os adesivos extra



1

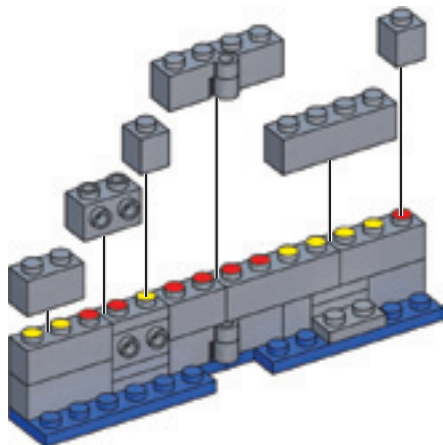
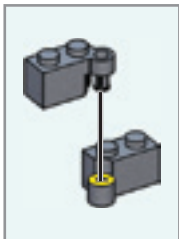


2



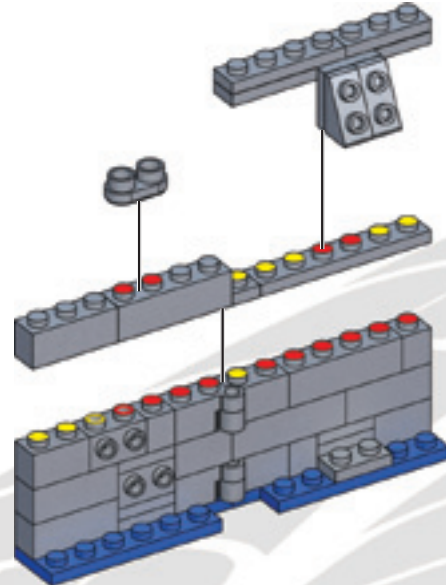
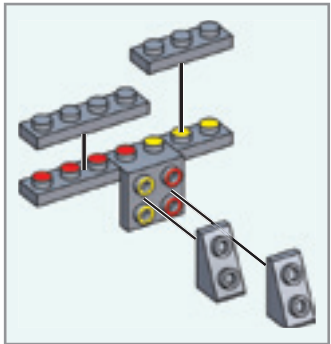
73

- 2x [1x1 grey brick]
- 1x [1x2 grey brick]
- 1x [1x2 grey brick with 2 holes]
- 1x [1x2 grey brick with 2 holes]
- 1x [1x2 grey brick with 2 holes]
- 1x [1x4 grey brick]



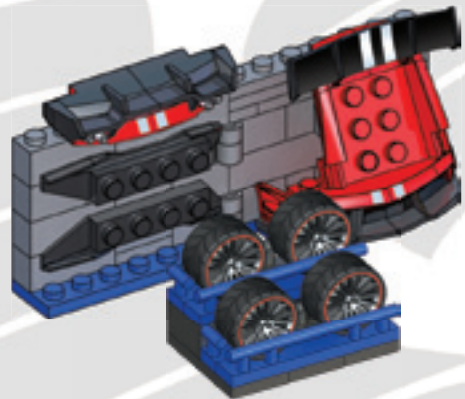
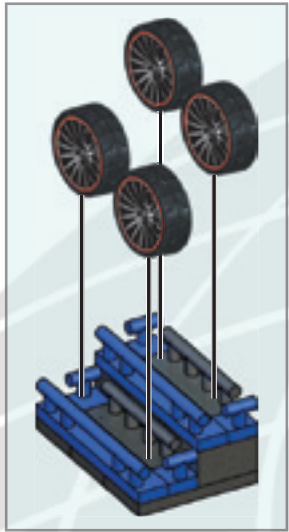
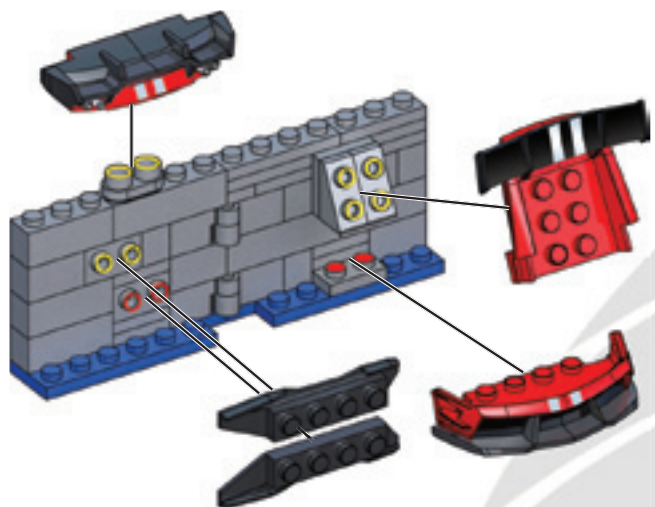
74

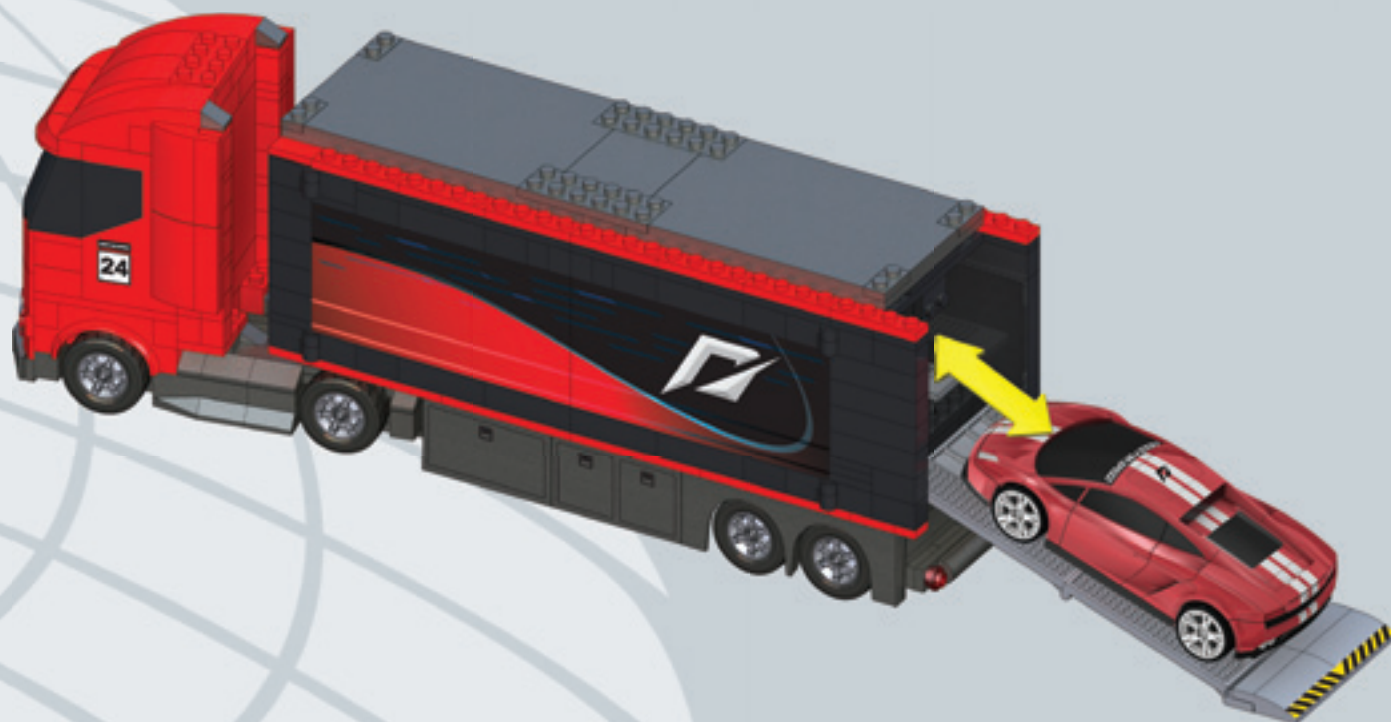
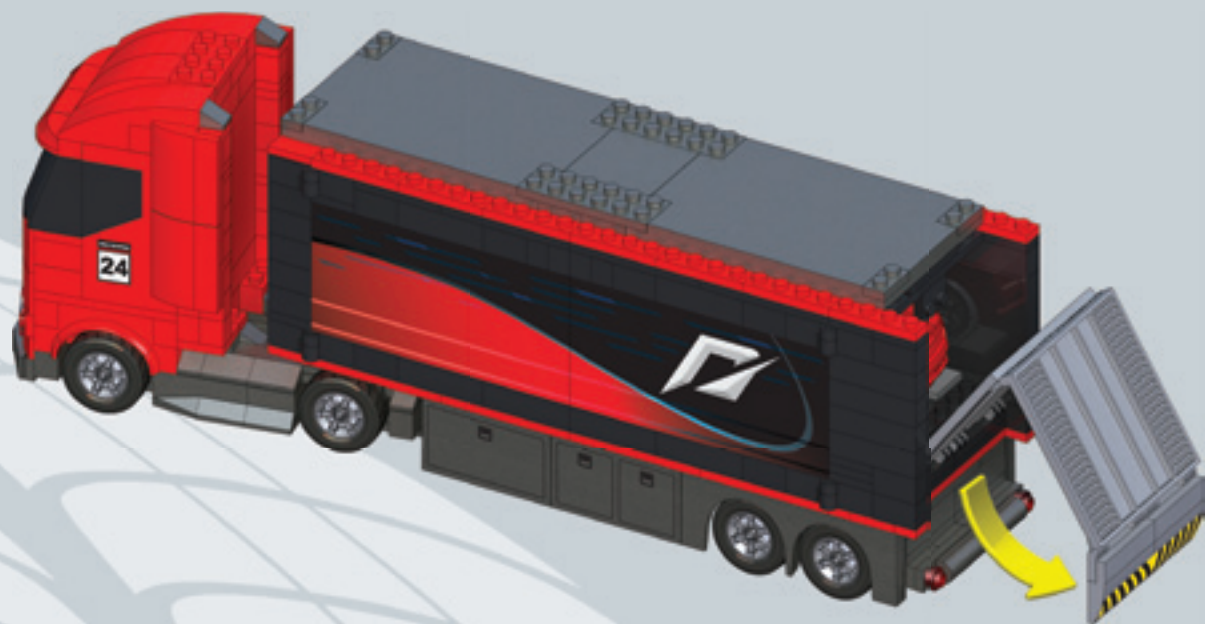
- 1x [1x1 grey brick]
- 1x [1x2 grey brick]
- 2x [1x2 grey brick with 2 holes]
- 1x [1x2 grey brick with 2 holes]
- 1x [1x2 grey brick with 2 holes]
- 2x [1x2 grey brick with 2 holes]
- 1x [1x2 grey brick with 2 holes]
- 1x [1x2 grey brick with 2 holes]
- 1x [1x2 grey brick with 2 holes]
- 1x [1x4 grey brick]



75

- 1x [1x4 black Technic axle]
- 1x [1x4 black Technic axle]
- 1x [1x2 red Technic axle]
- 1x [1x2 red Technic axle]
- 1x [1x2 red Technic axle]





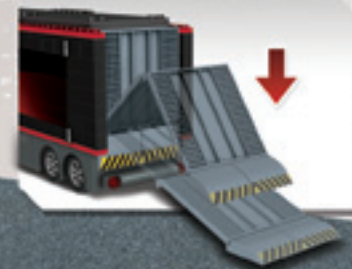




NEED FOR SPEED

481 RIG PARTS
PIEZAS DE CAMIÓN
BAGNINI / BUCKEN-DORRICH
COMPONENTI PER IL
RIG DEL CAMIONO-PISTOIA

CUSTOMIZE! / PERSONALIZAI!
PERSONALISE!
ANPASSEN! / AANPASSEN!
PERSONALIZZAI! / PERSONALIZAI!



BUILD / (CONSTRUYE) / CONSTRUIS / BAUE / BOWINE / COSTRUIRE / CONSTRUI

81 CAR PARTS
PIEZAS DE COCHE
PIÈCES POUR LA VOITURE
AUTOCARTE / SAUTOCARTESSON
PIZZAOTTO / PIZZA OTTO



COLLECT THEM ALL! / COLECCIONALOS TODOS / COLLECTIONNEZ-LES TOUS!
SAMMEL DIE ALLEN / VERZAMEL DE ALLENMAAL / COLLEZIONA I TUTTI / COLLEZIONA-OS TODOS!



NEEDFORSPEED.MEGABLOKS.COM



©2012, MEGA Brands Inc. © & ™ MEGA Brands Inc.
Printed in Canada D957601C