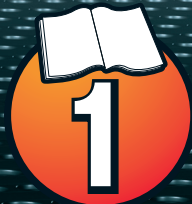
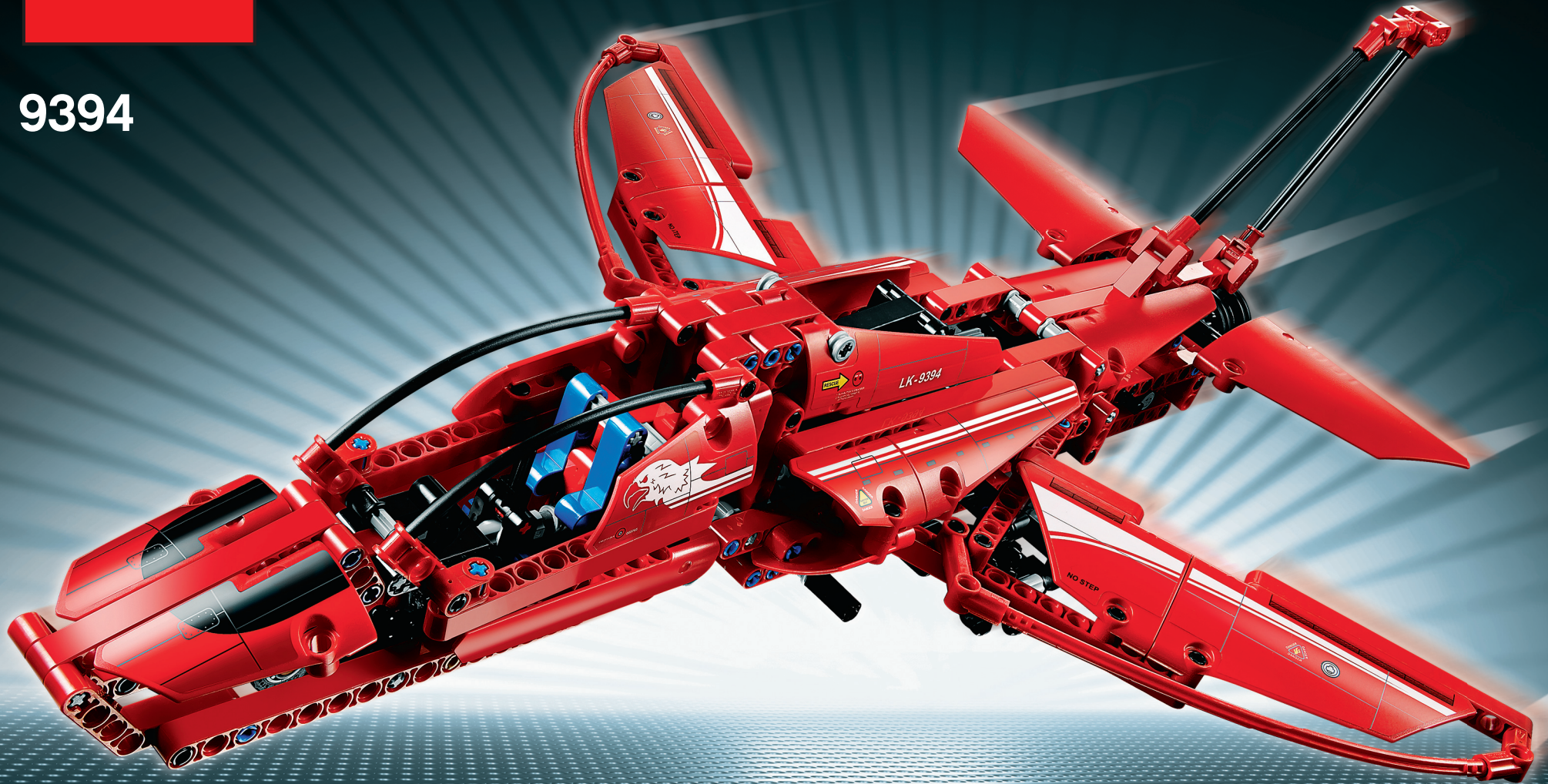


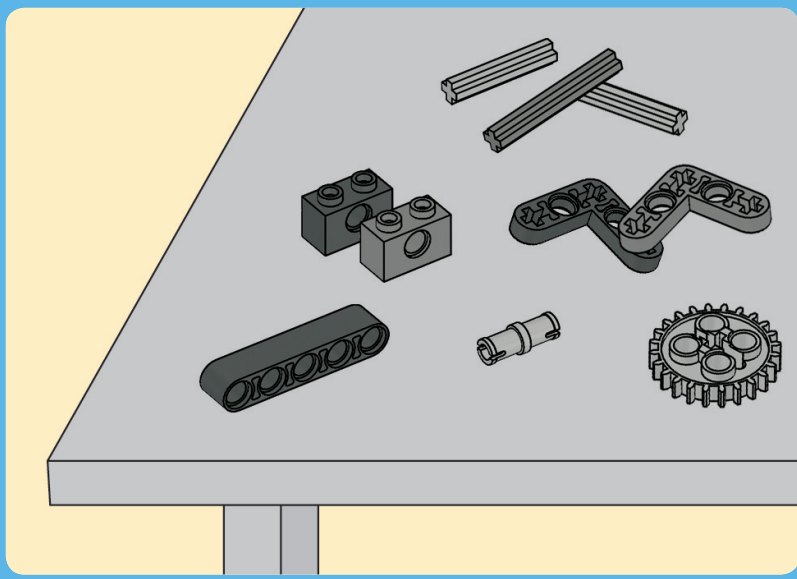
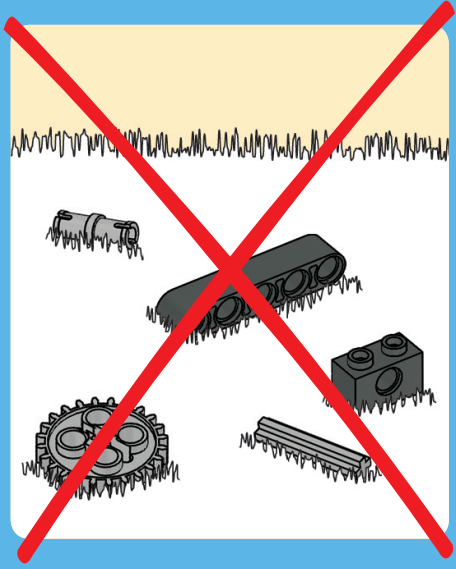


TECHNIC

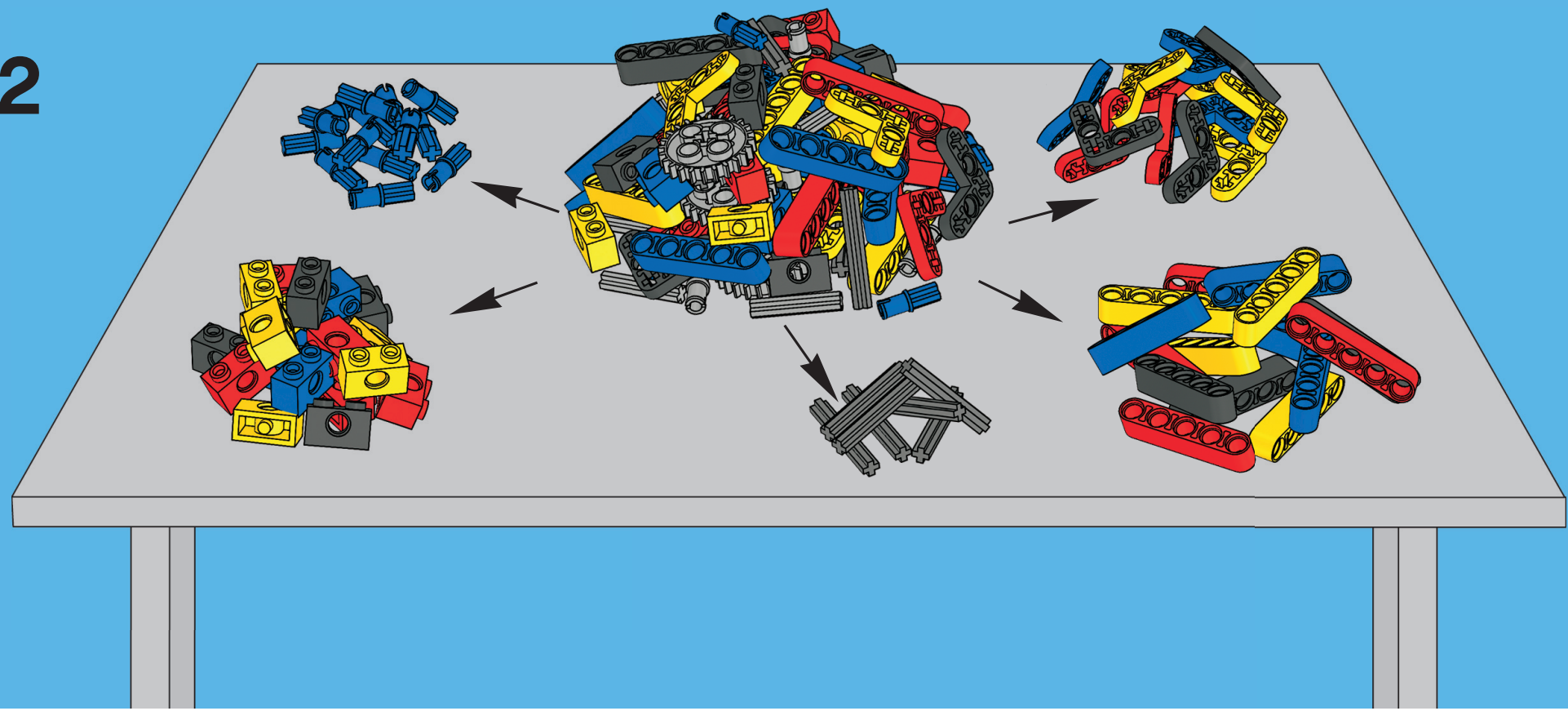
9394



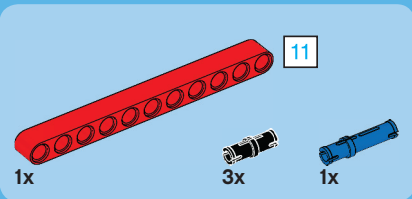
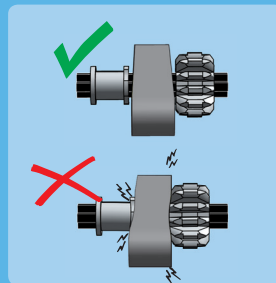
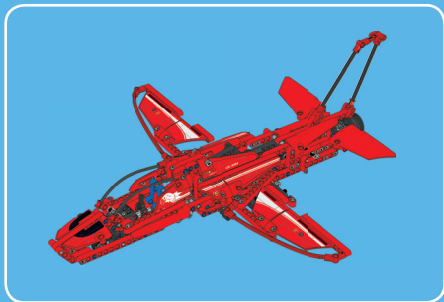
1



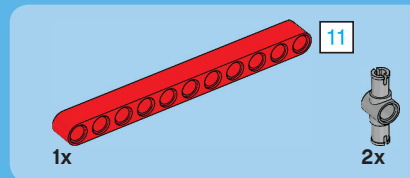
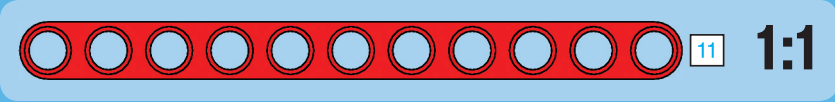
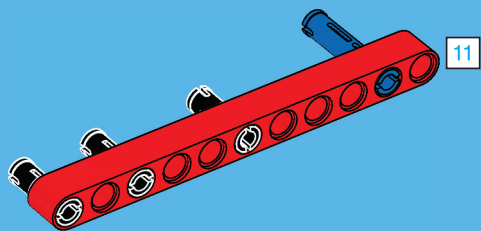
2



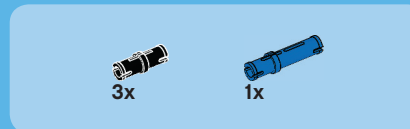
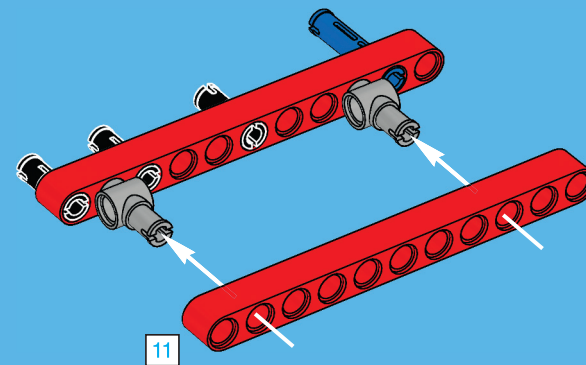
2



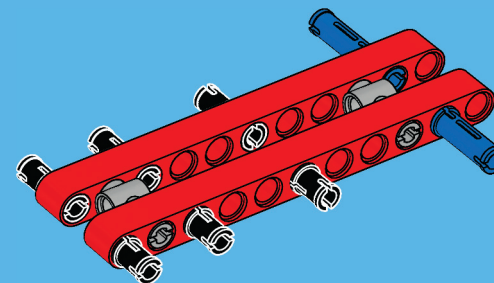
1

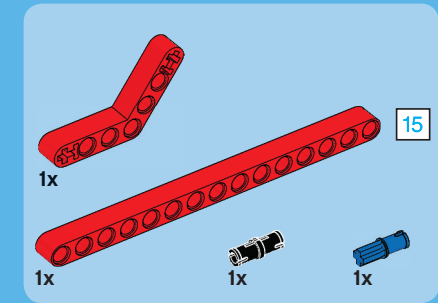


2

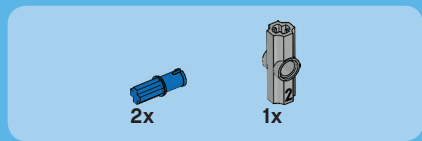
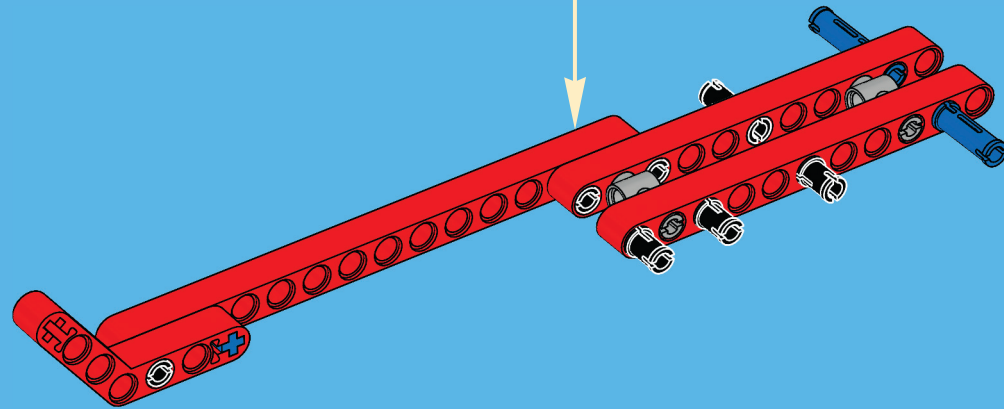
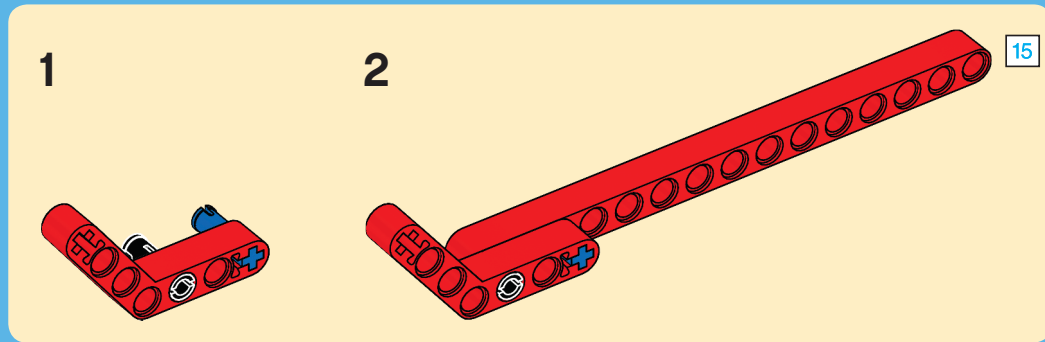
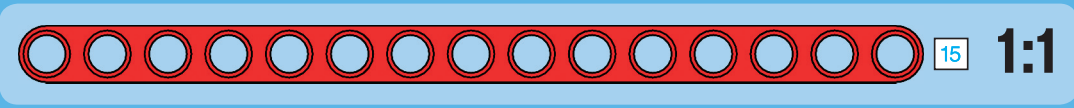


3

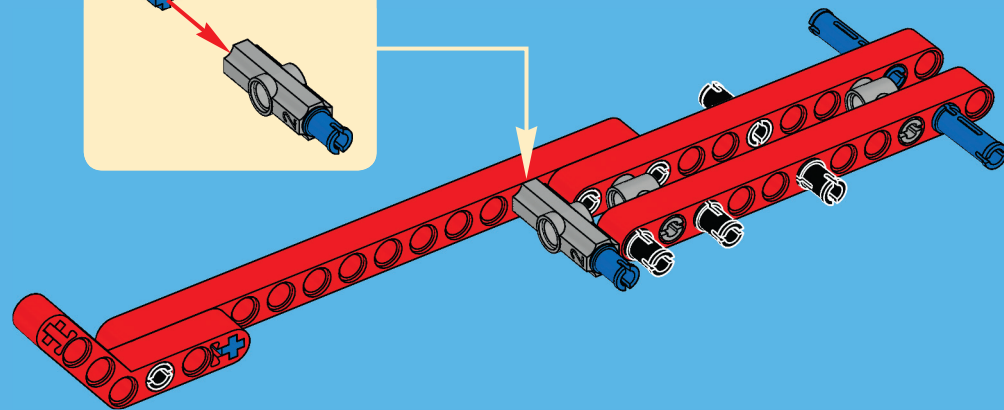
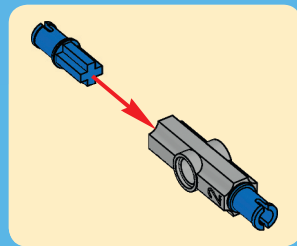




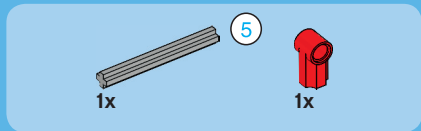
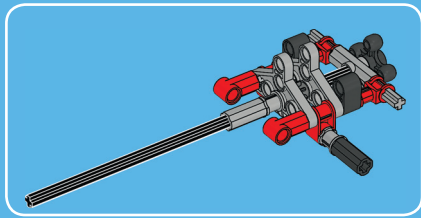
4



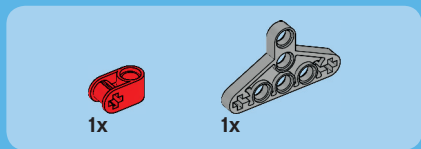
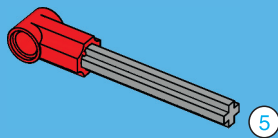
5



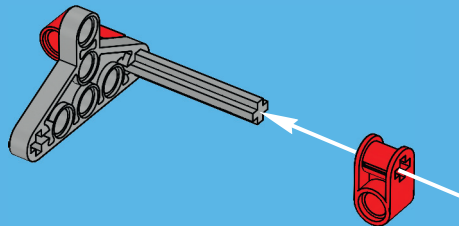
4



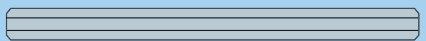
1



2

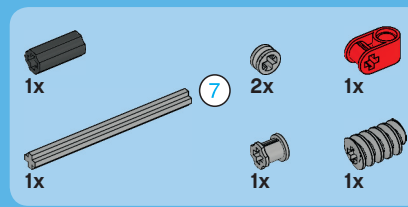


5

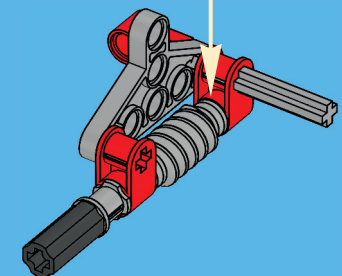
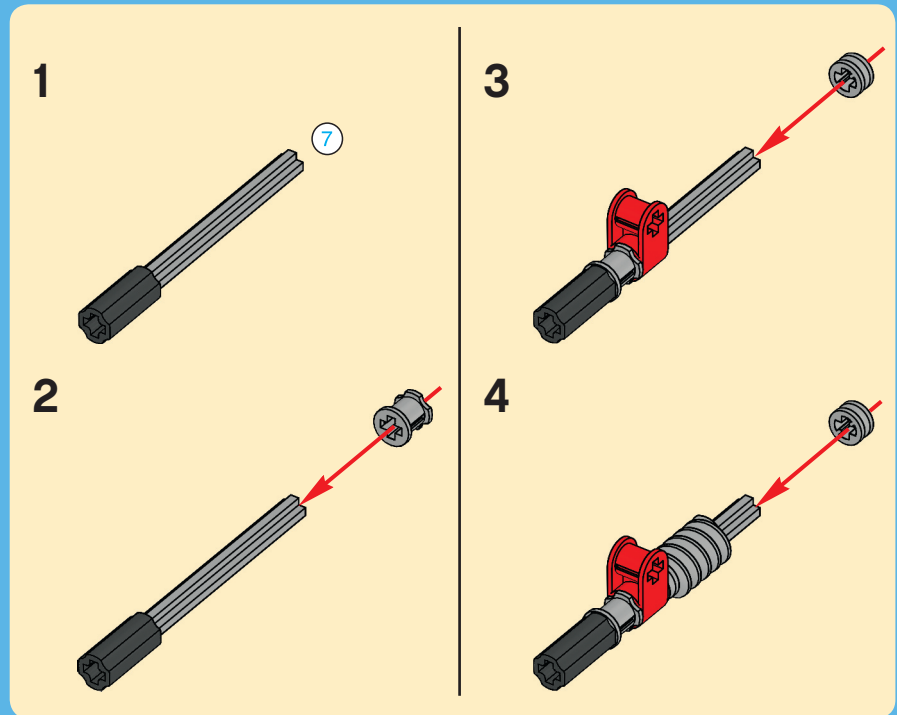


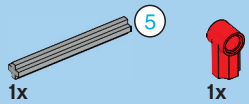
7

1:1

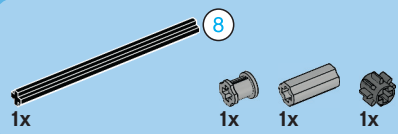
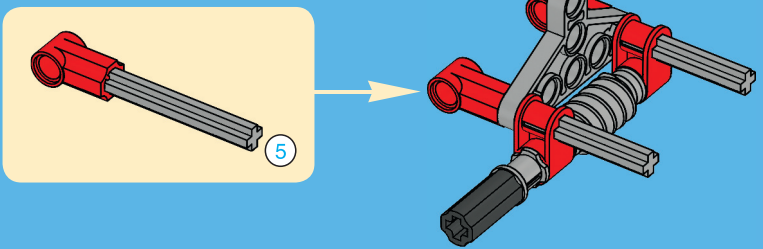


3

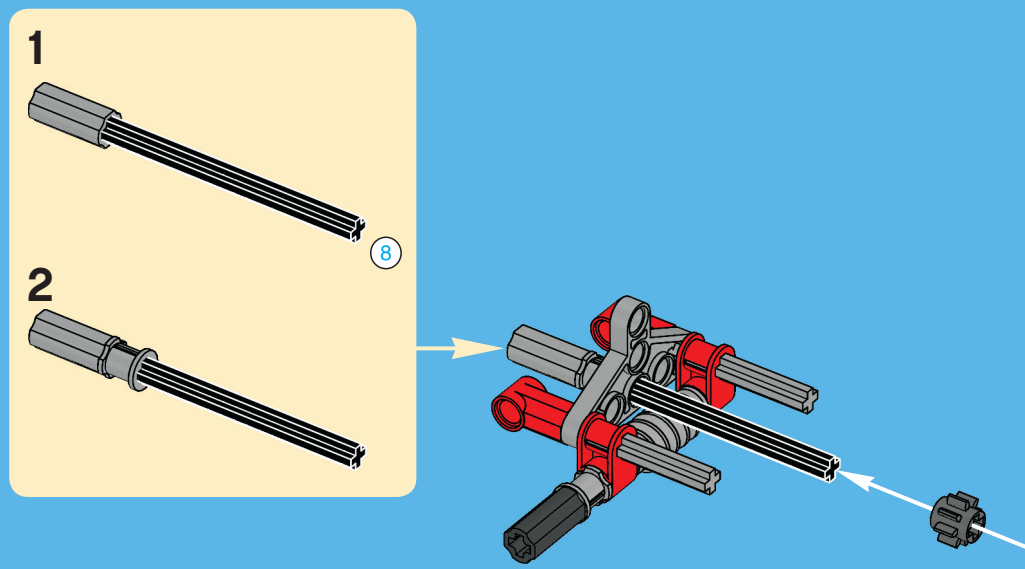




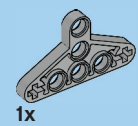
4



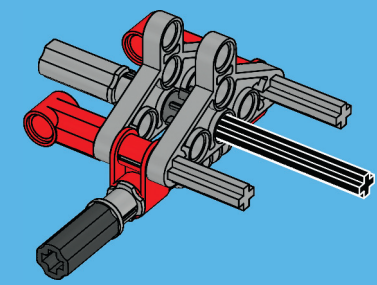
5



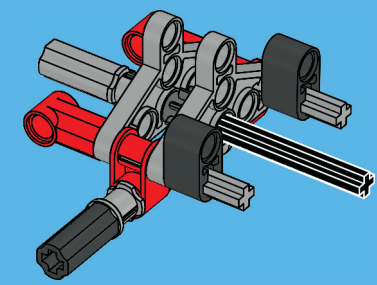
6

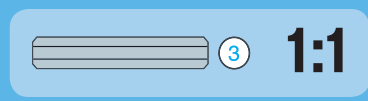
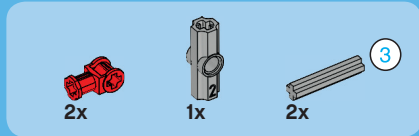


6

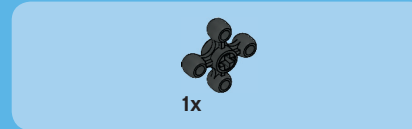
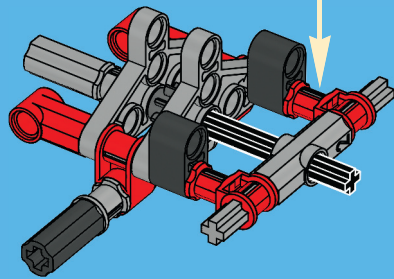
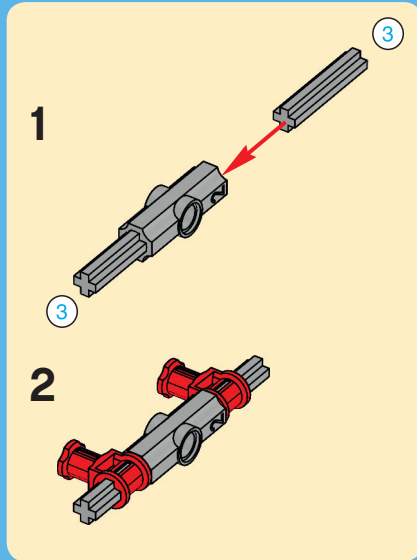


7

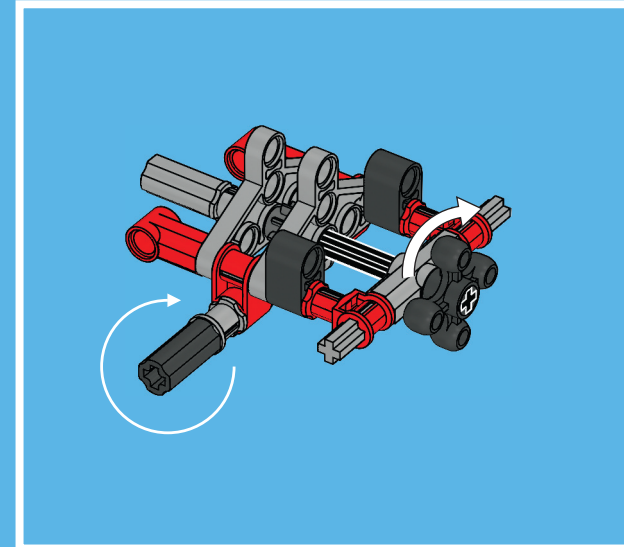
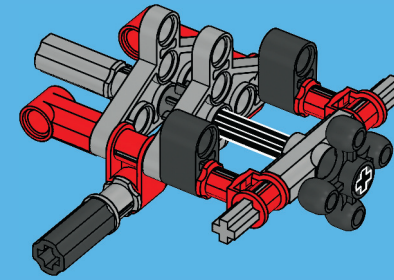


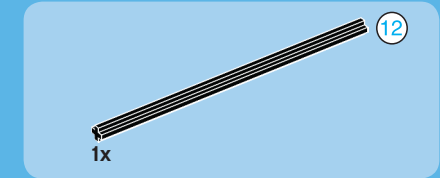


8

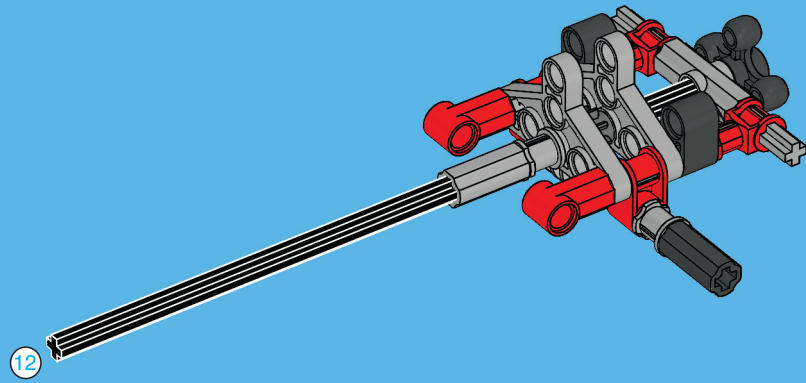


9

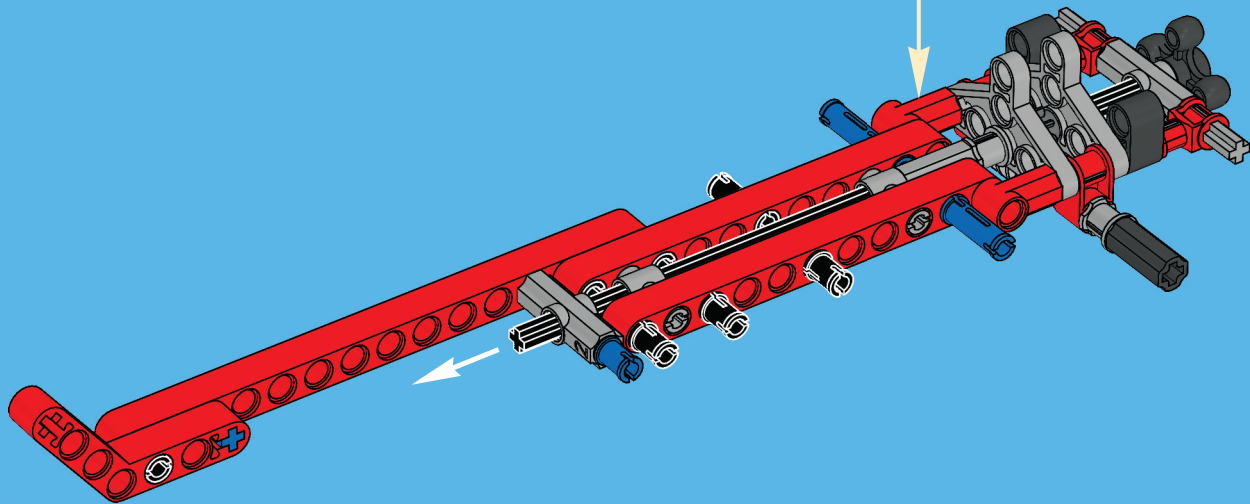




10



6



8

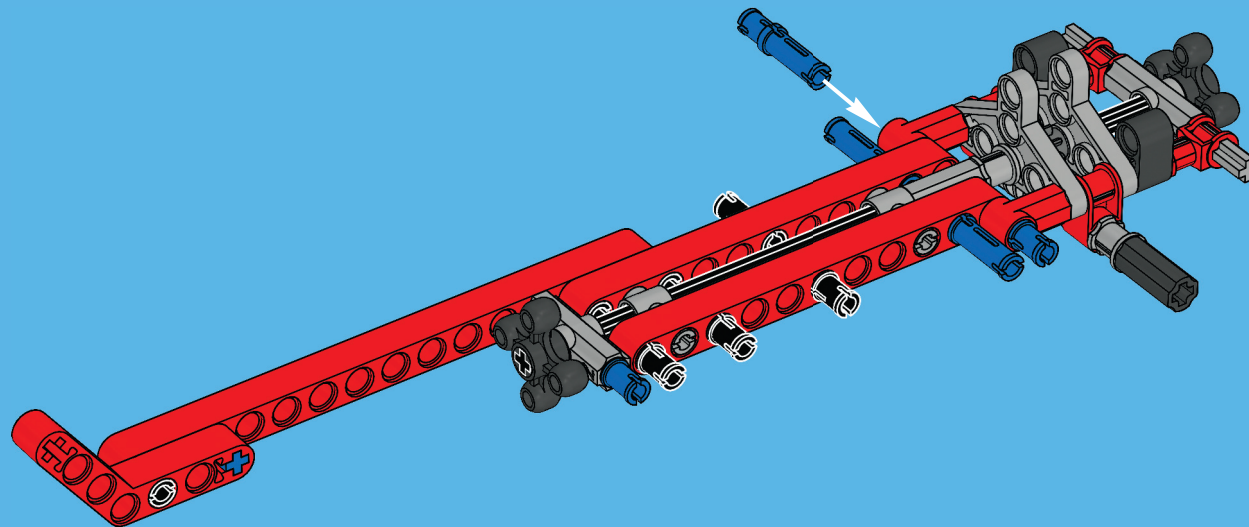


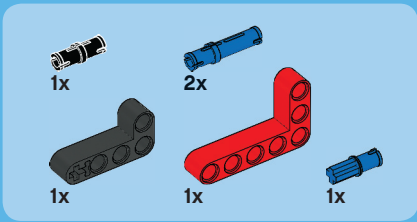
1x



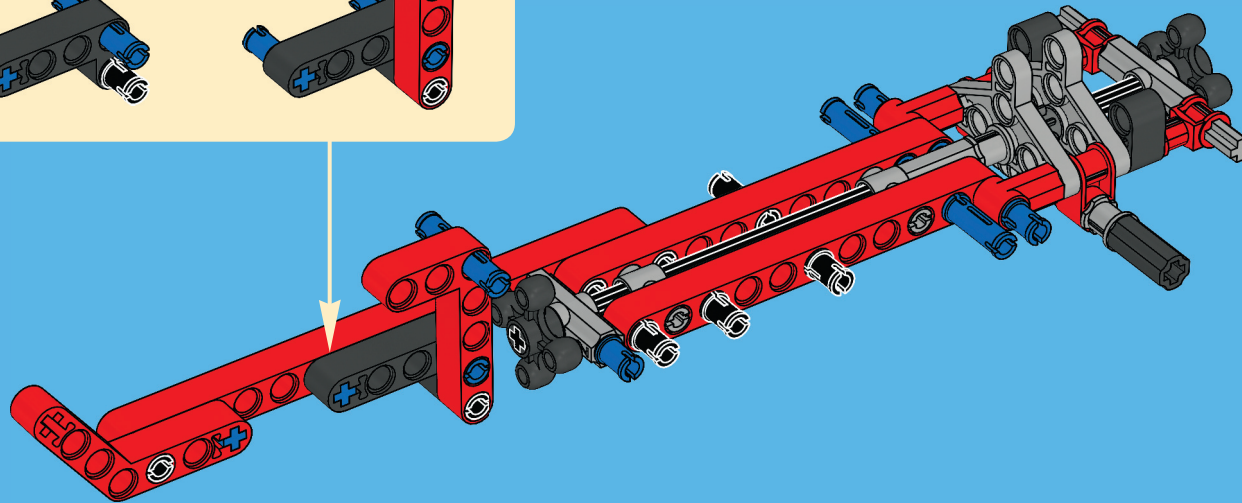
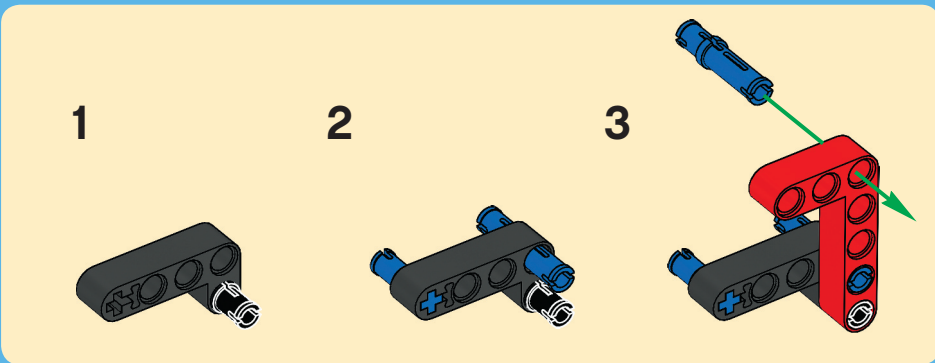
2x

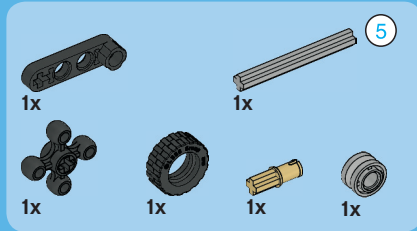
7



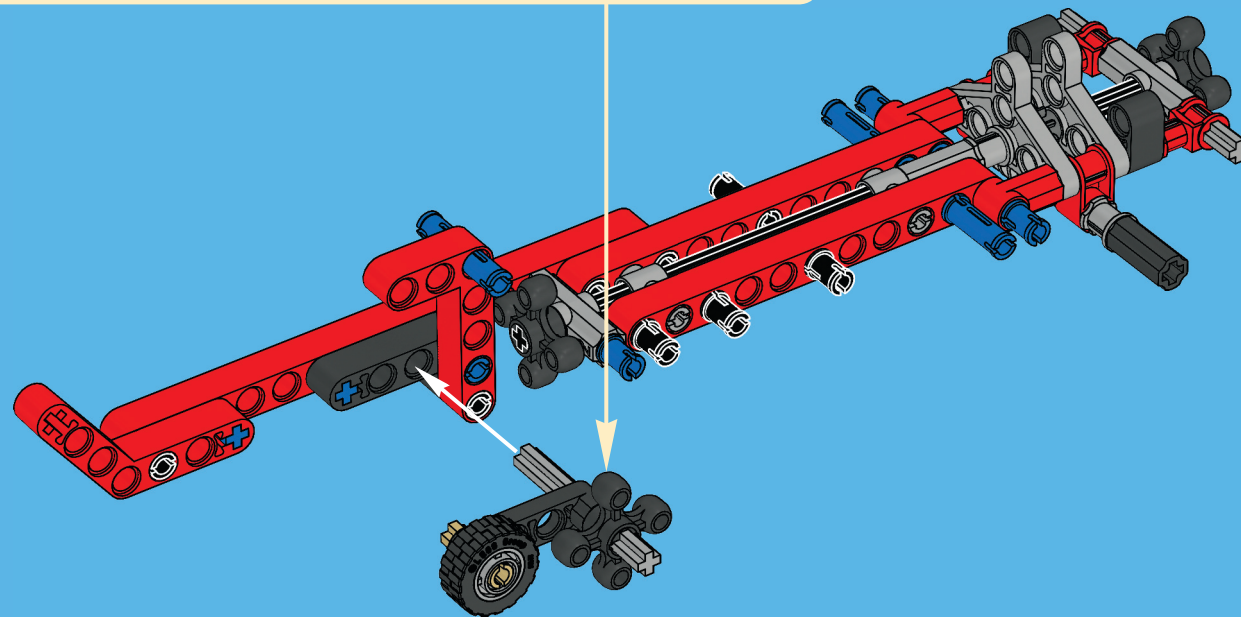
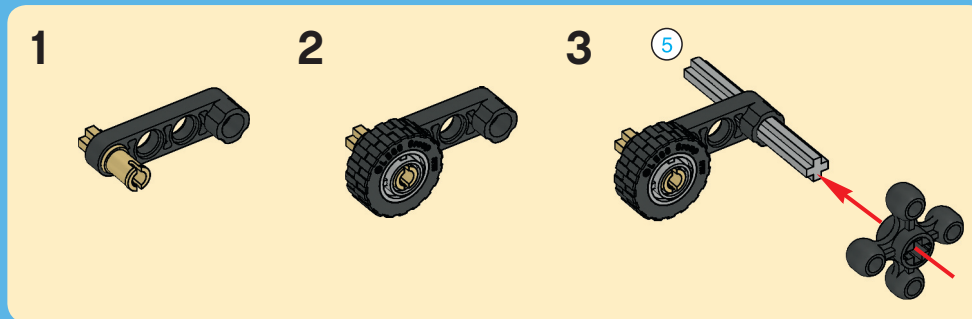


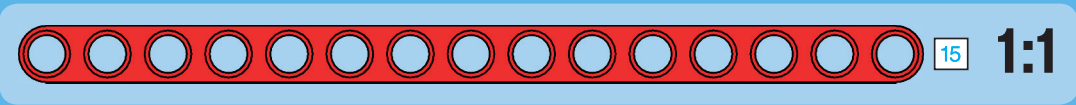
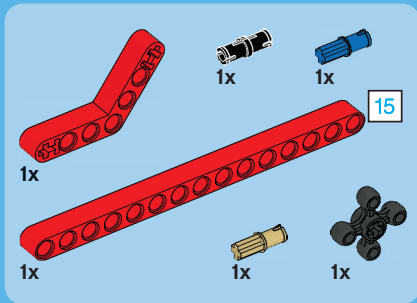
8



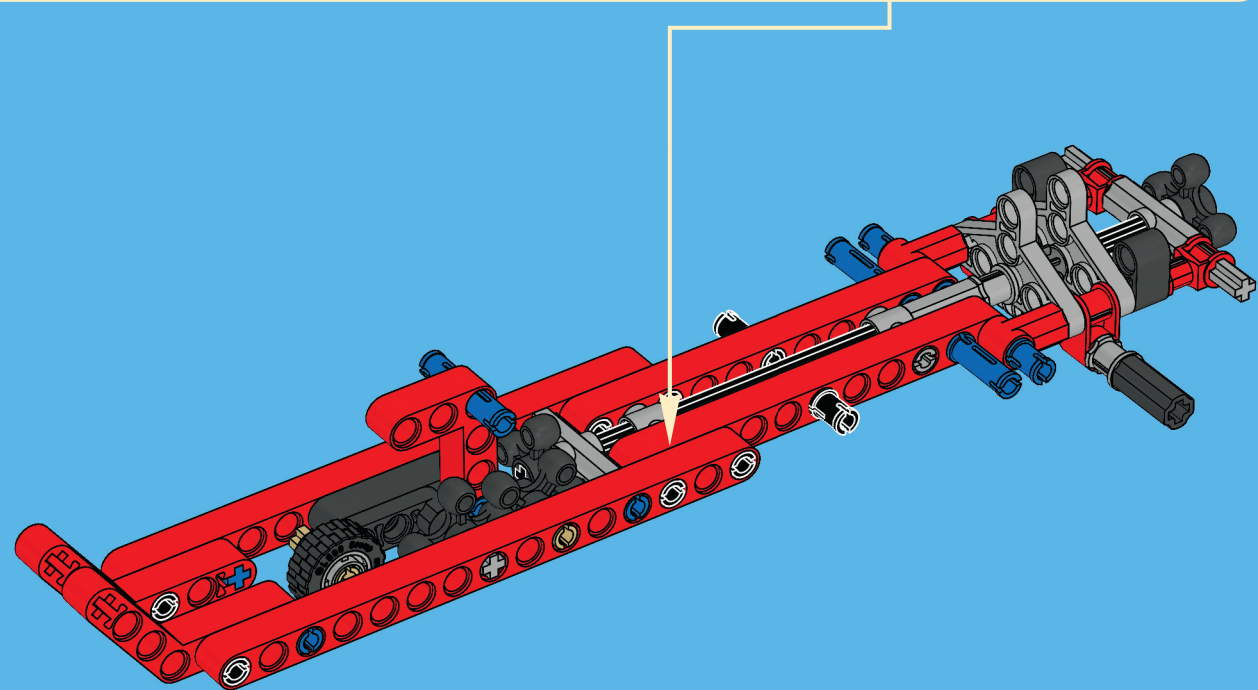
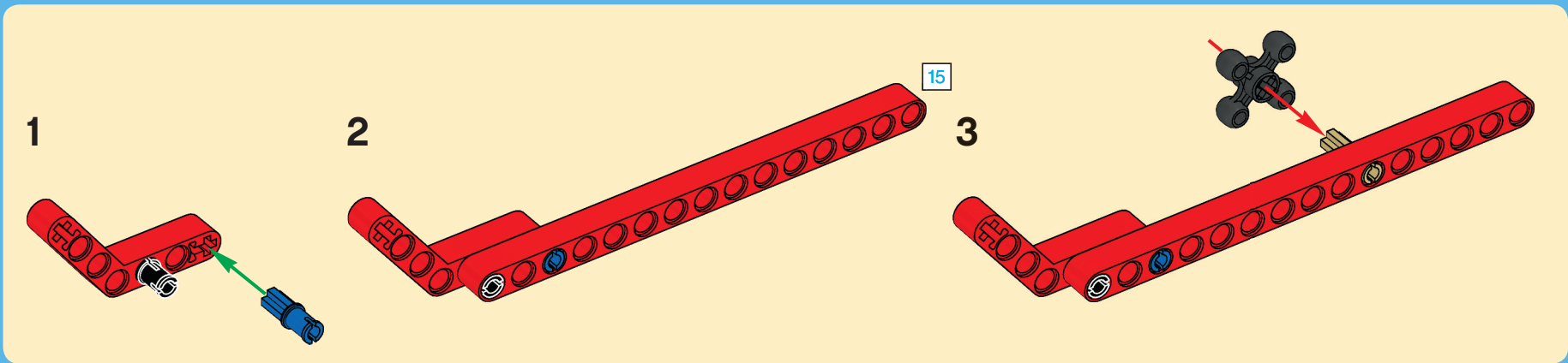


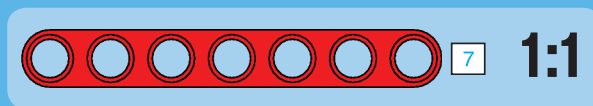
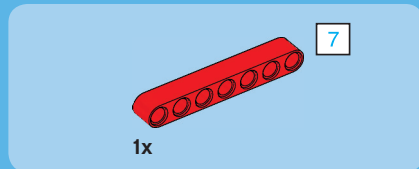
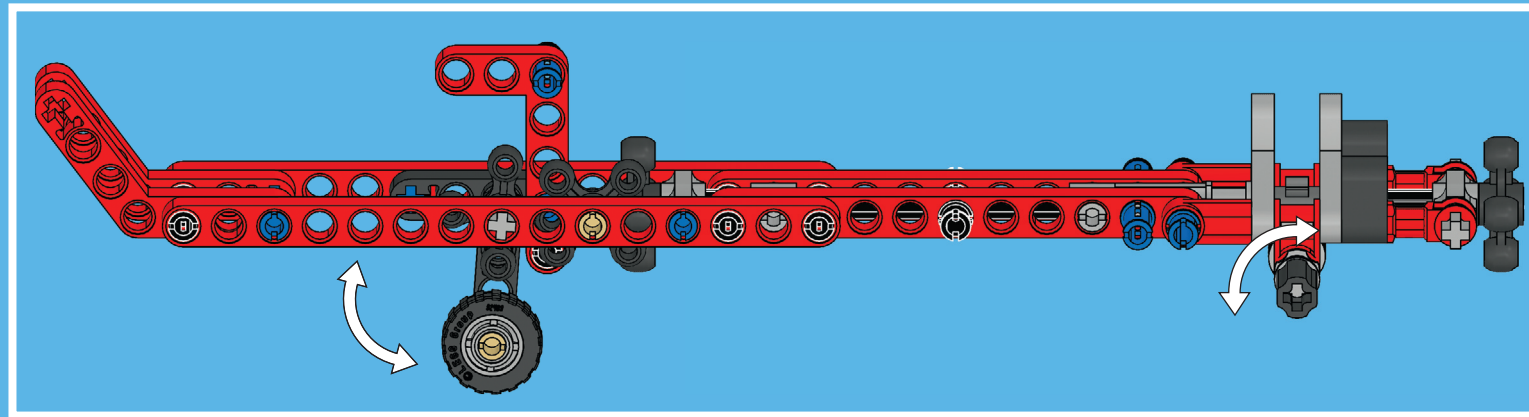
9



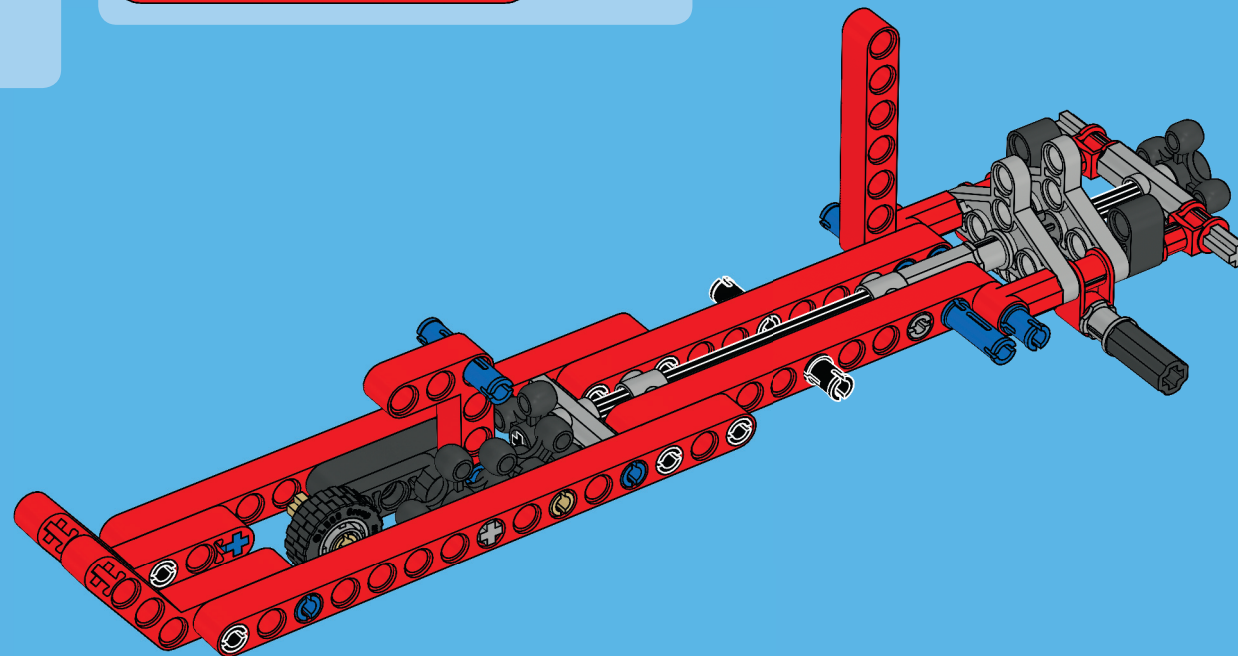


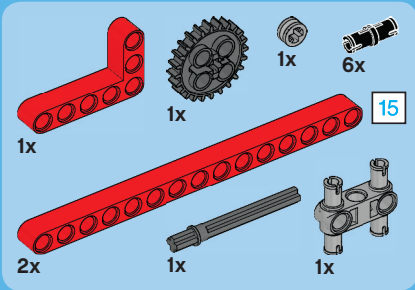
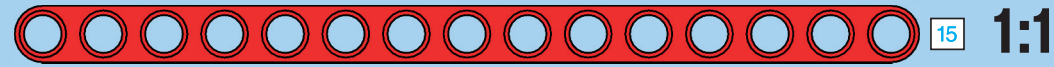
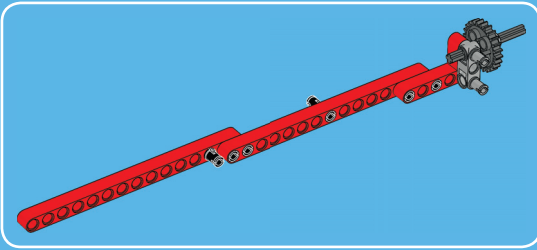
10



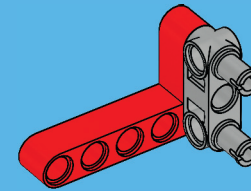


11



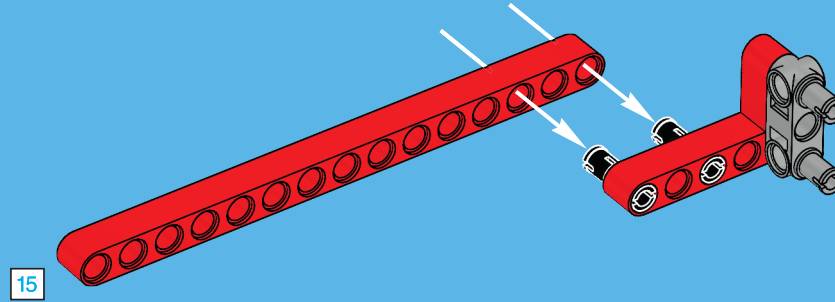


1

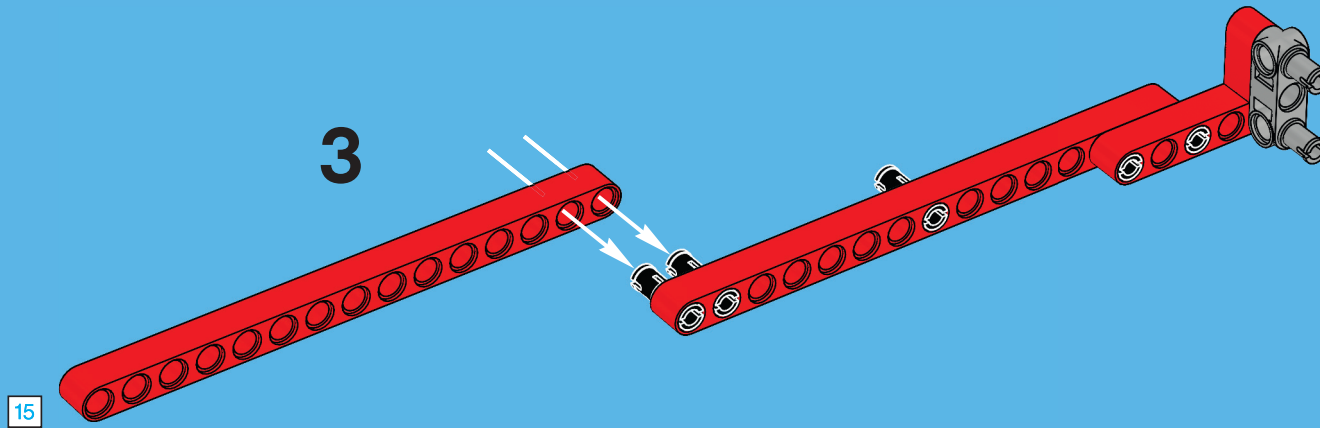


12

2



3

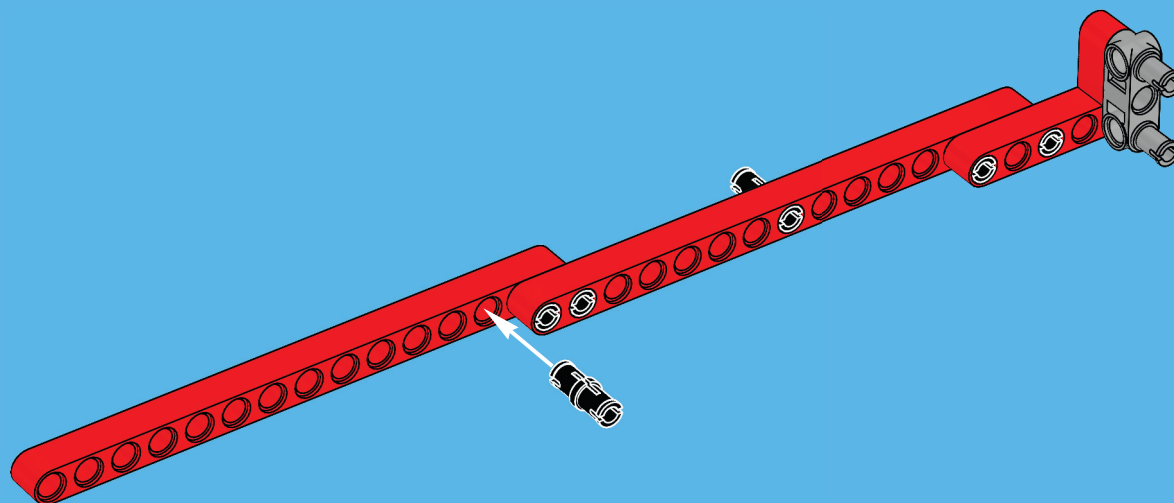


14

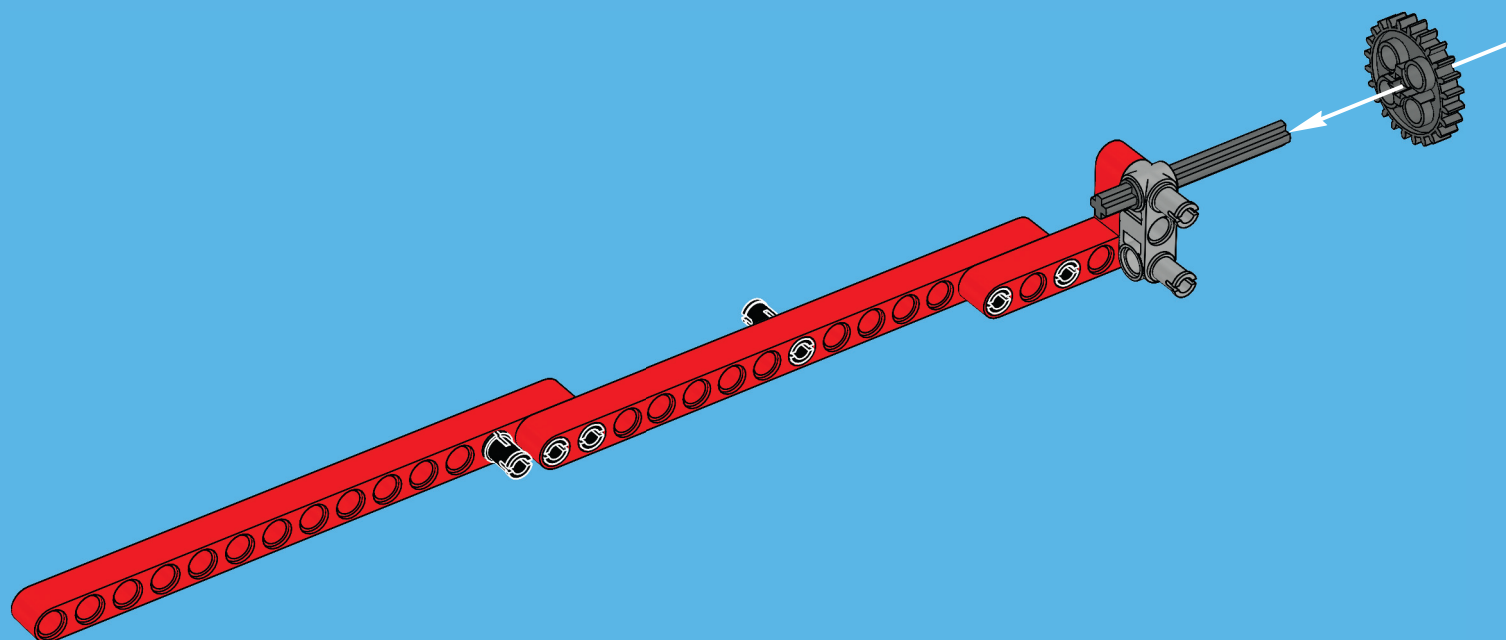




4

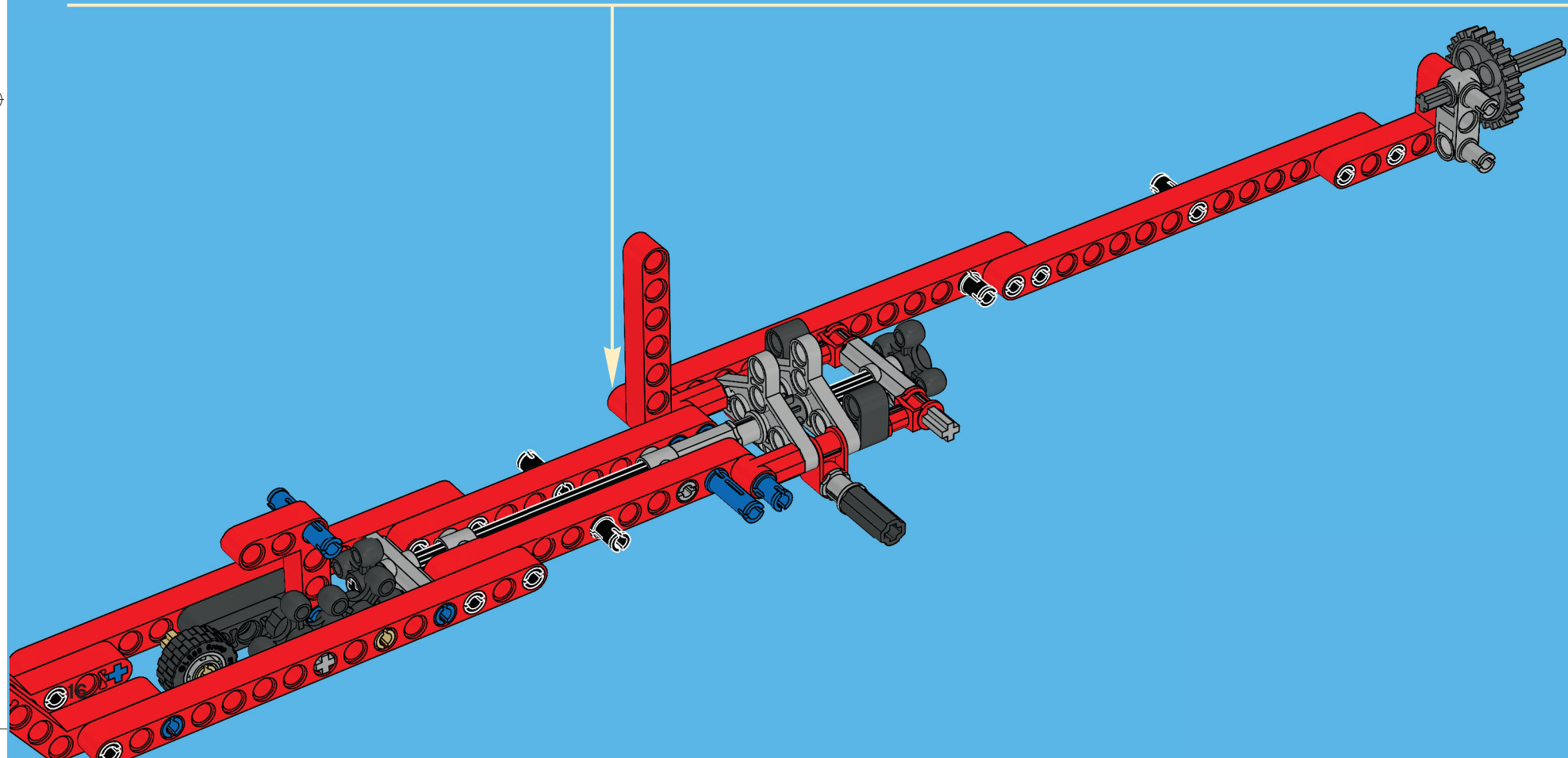
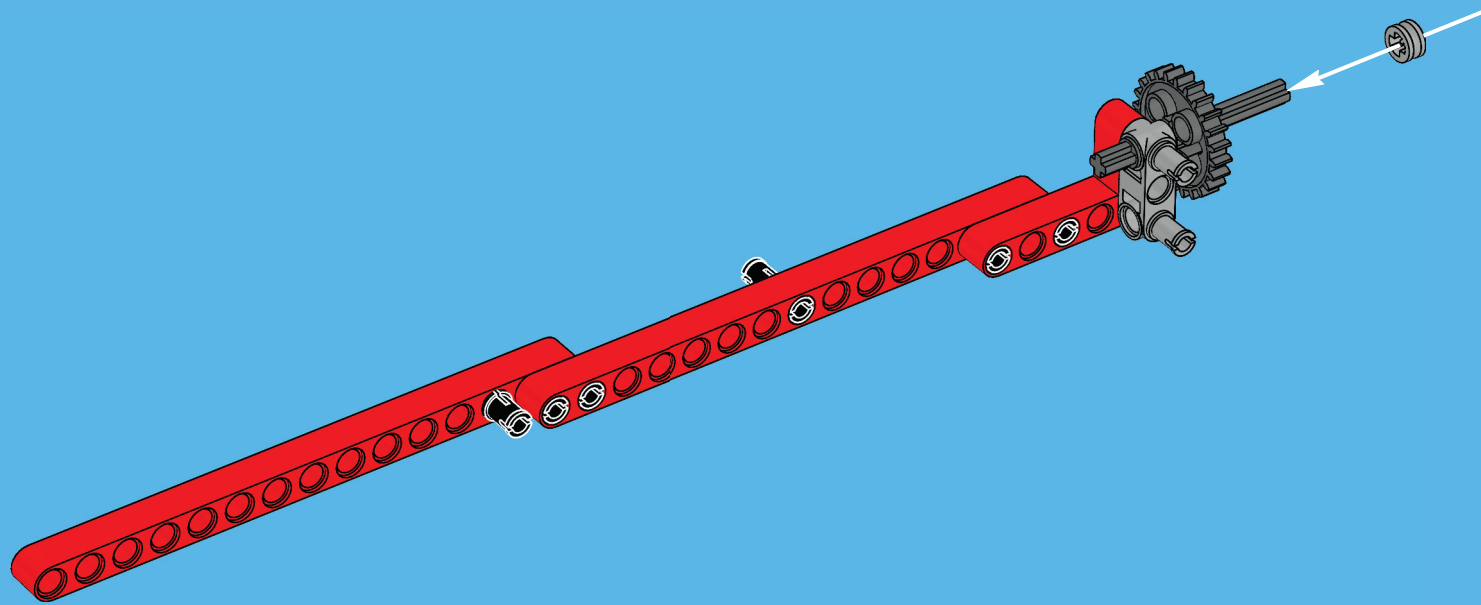


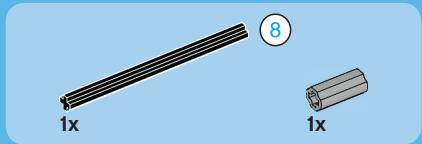
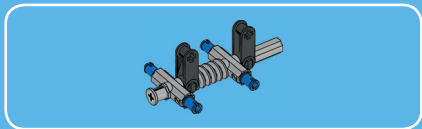
5



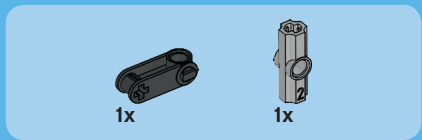
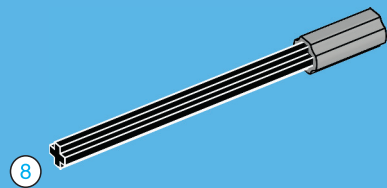


6

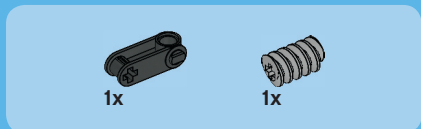
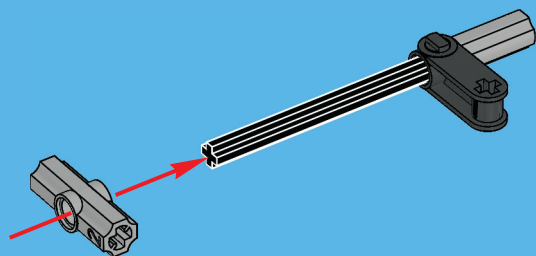




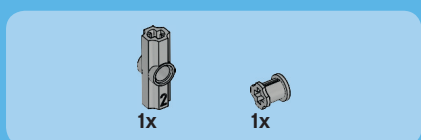
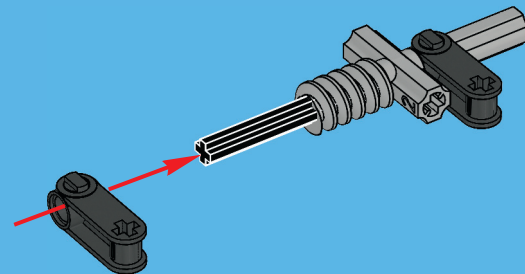
1



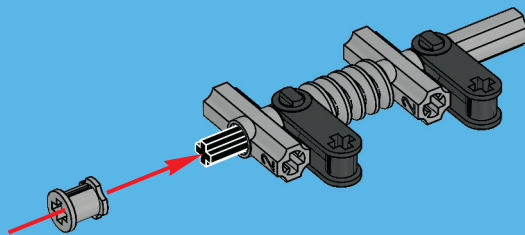
2

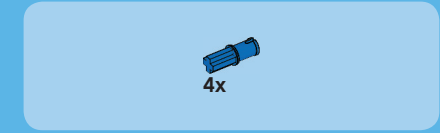


3

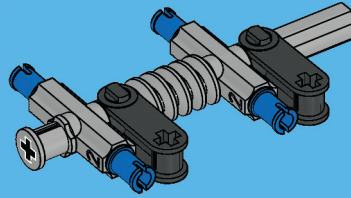


4

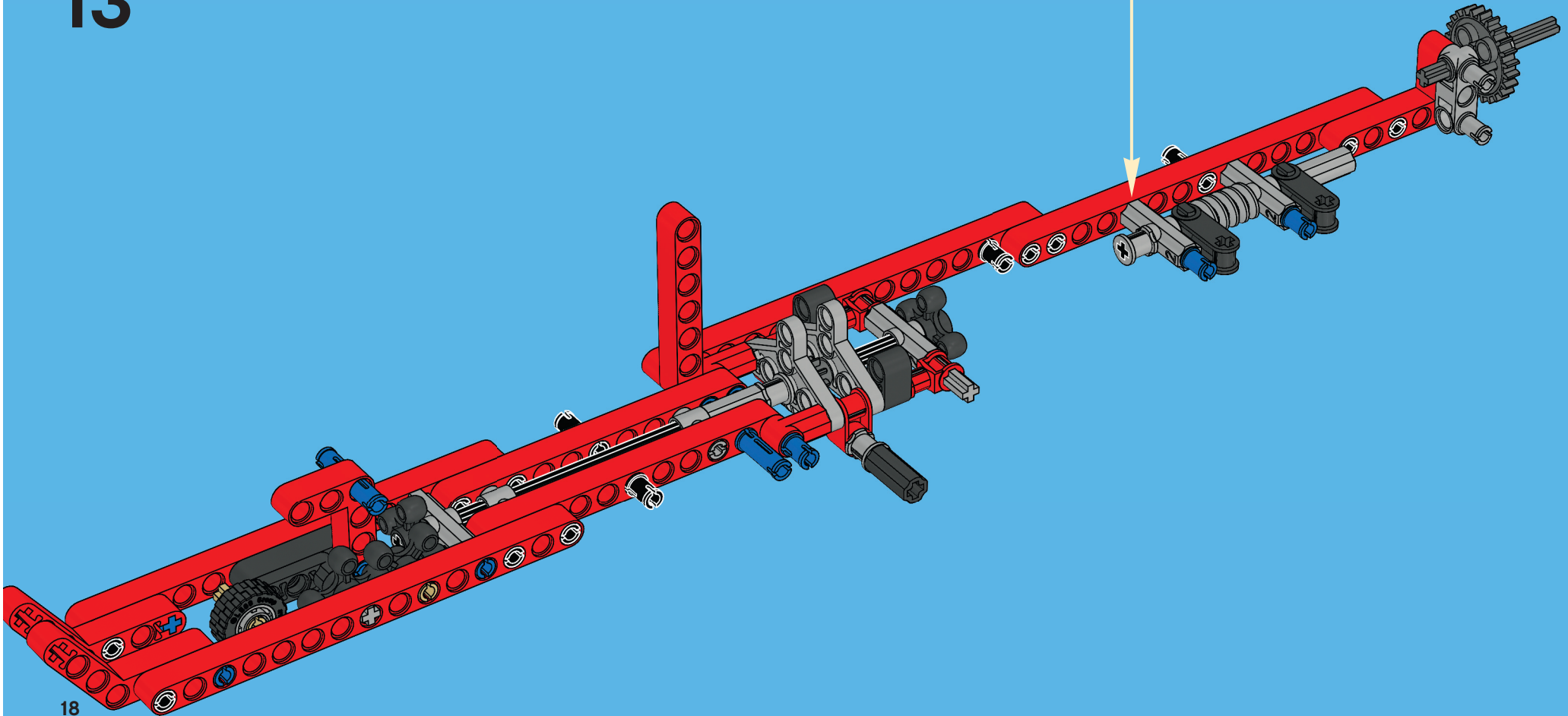




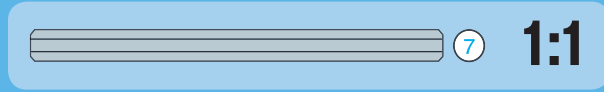
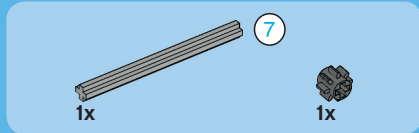
5



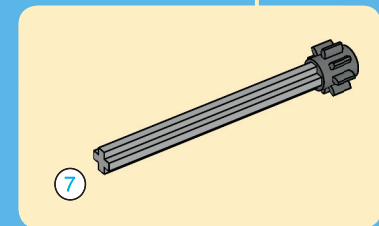
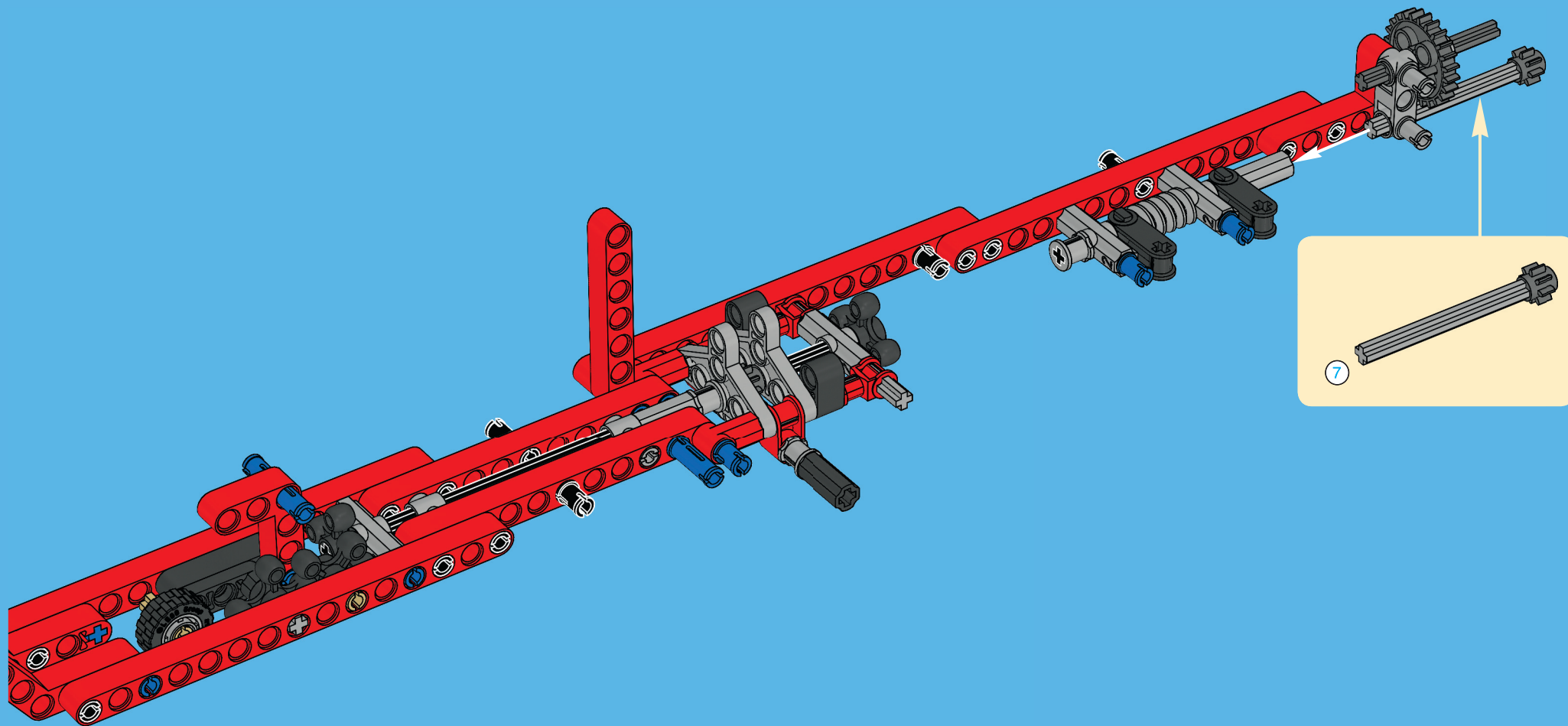
13

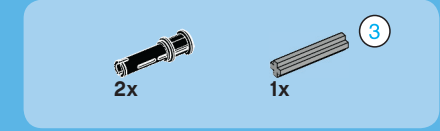


18

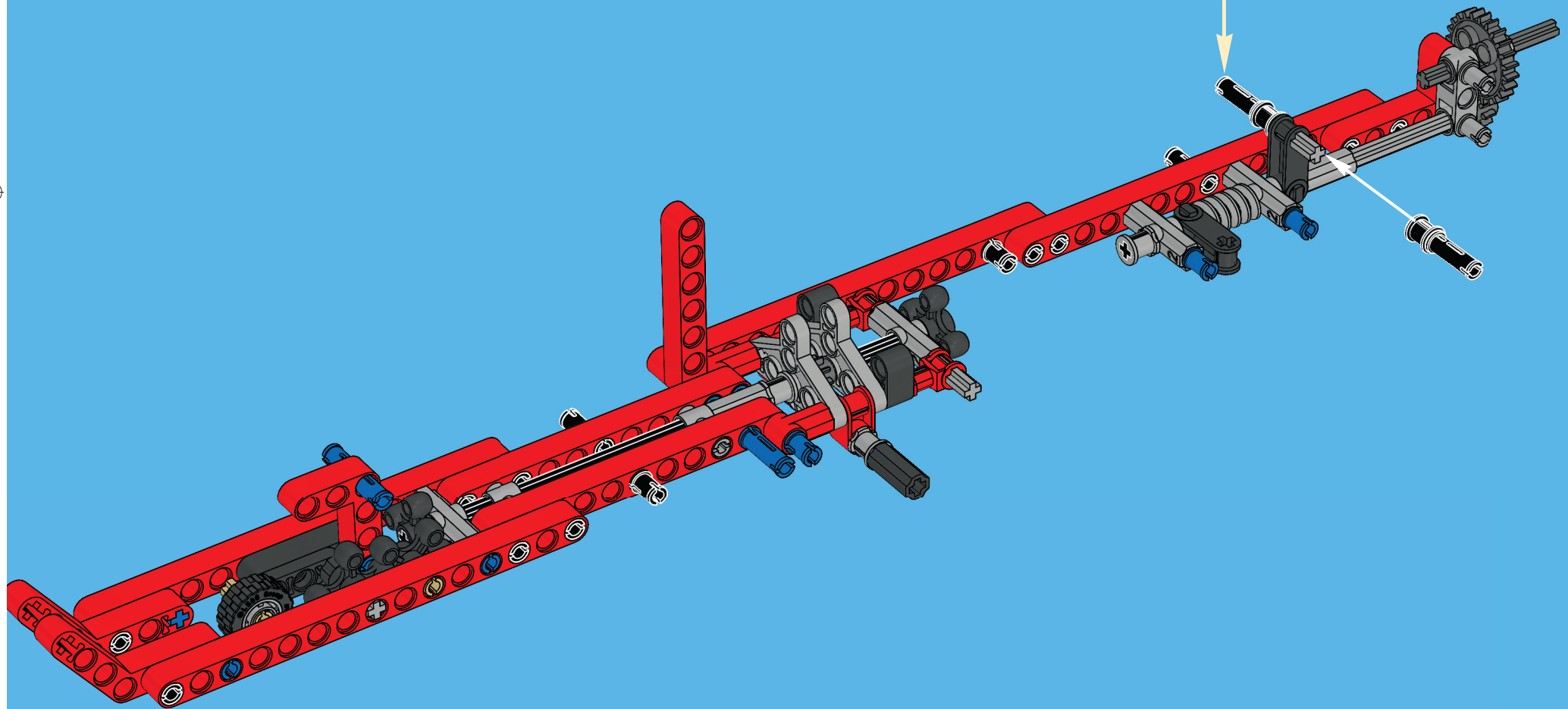
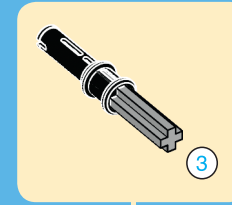


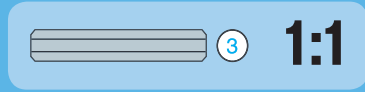
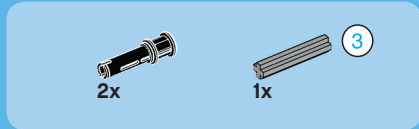
14



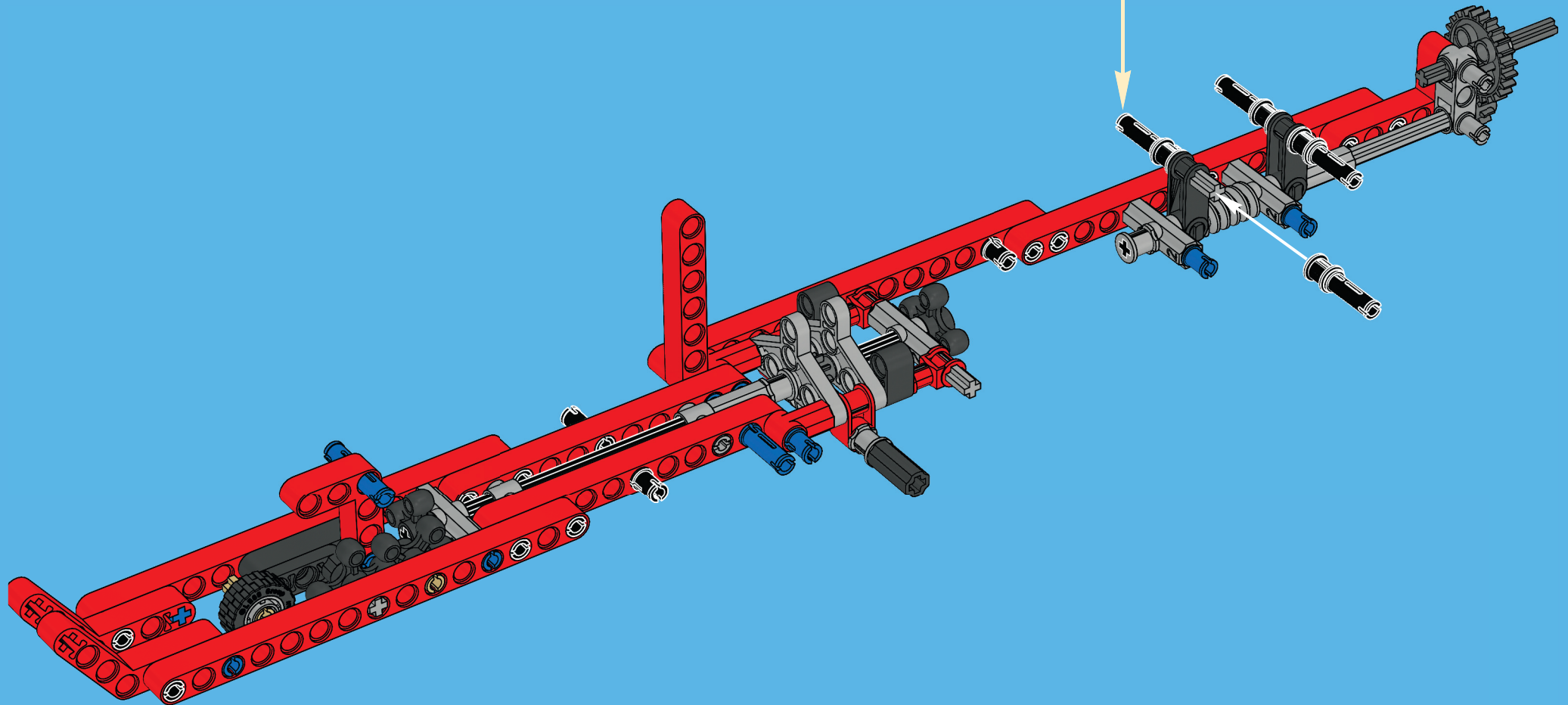
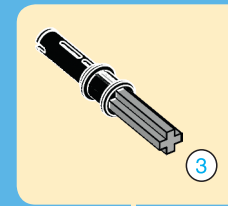


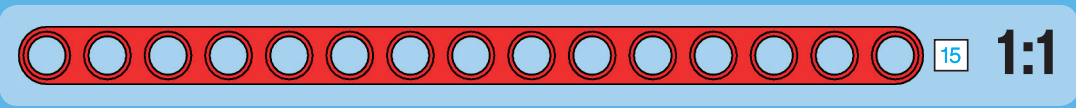
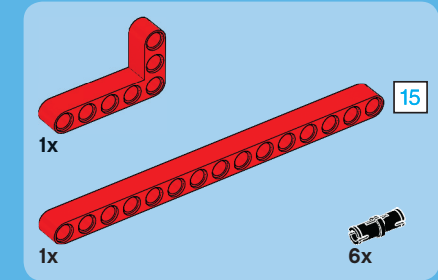
15



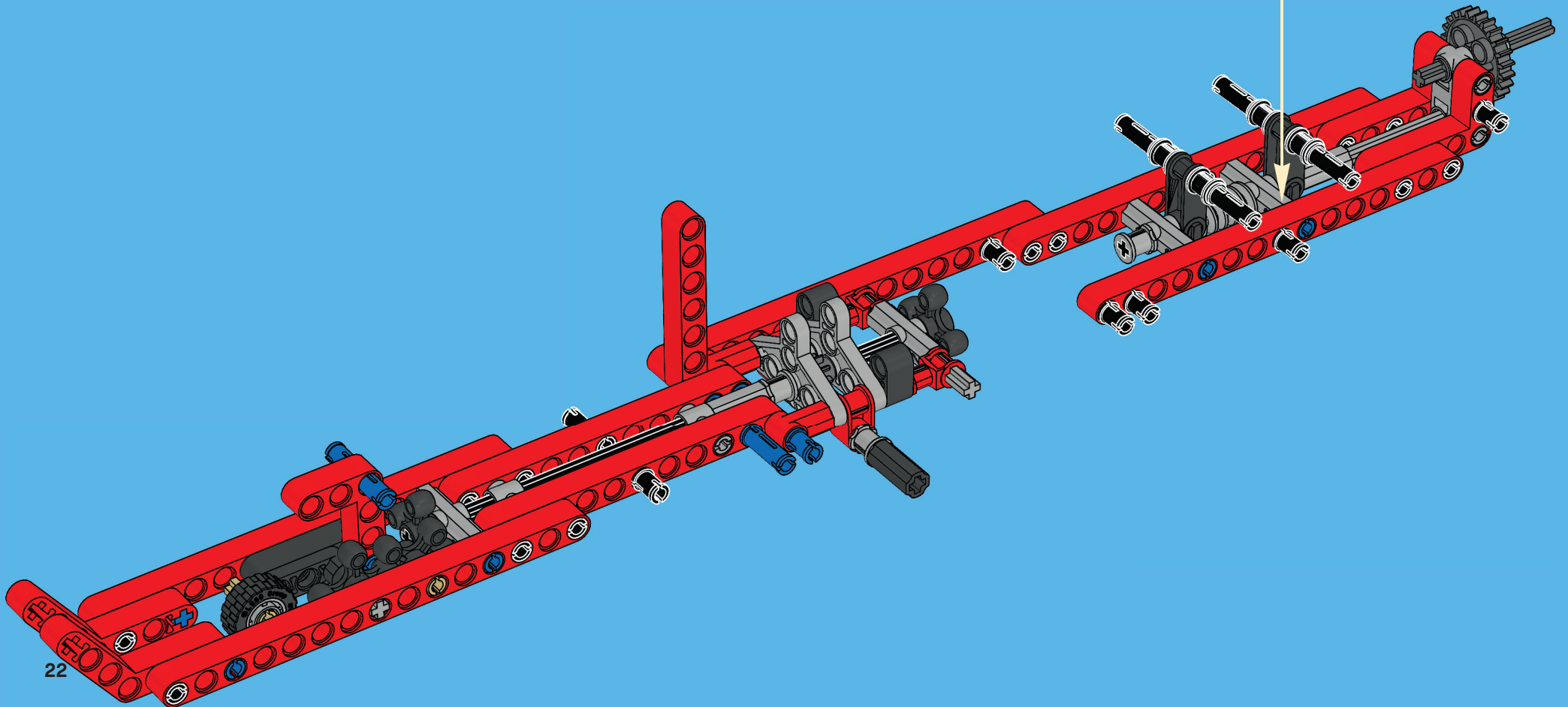
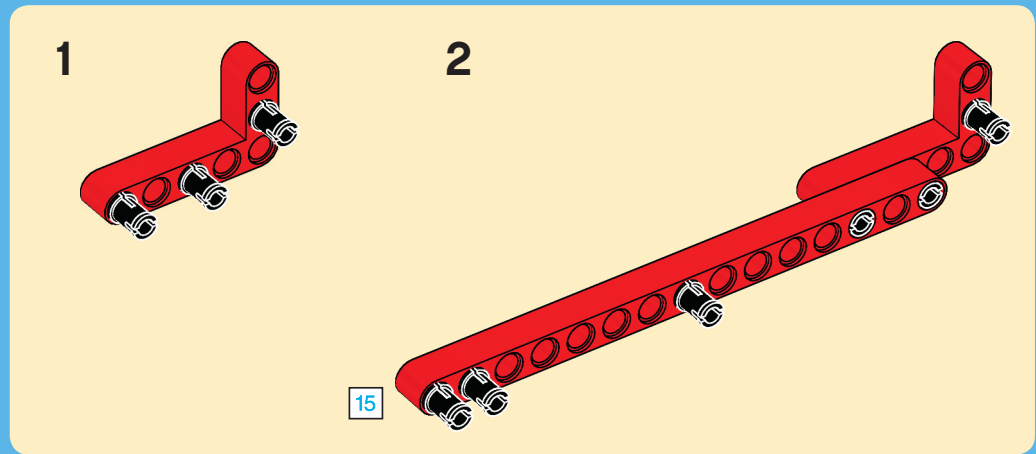


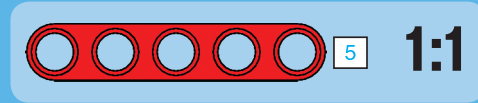
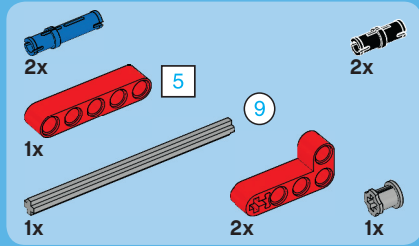
16





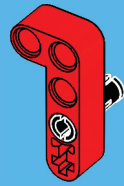
17



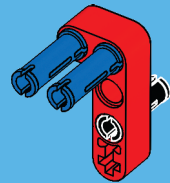


18

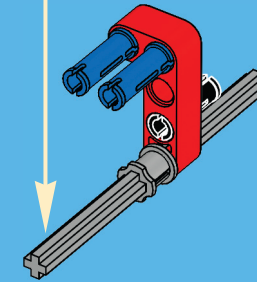
1



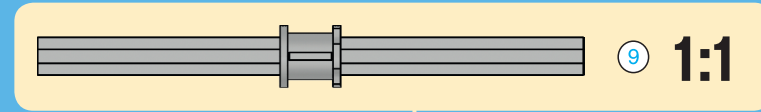
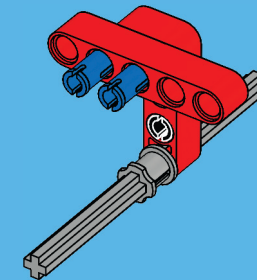
2



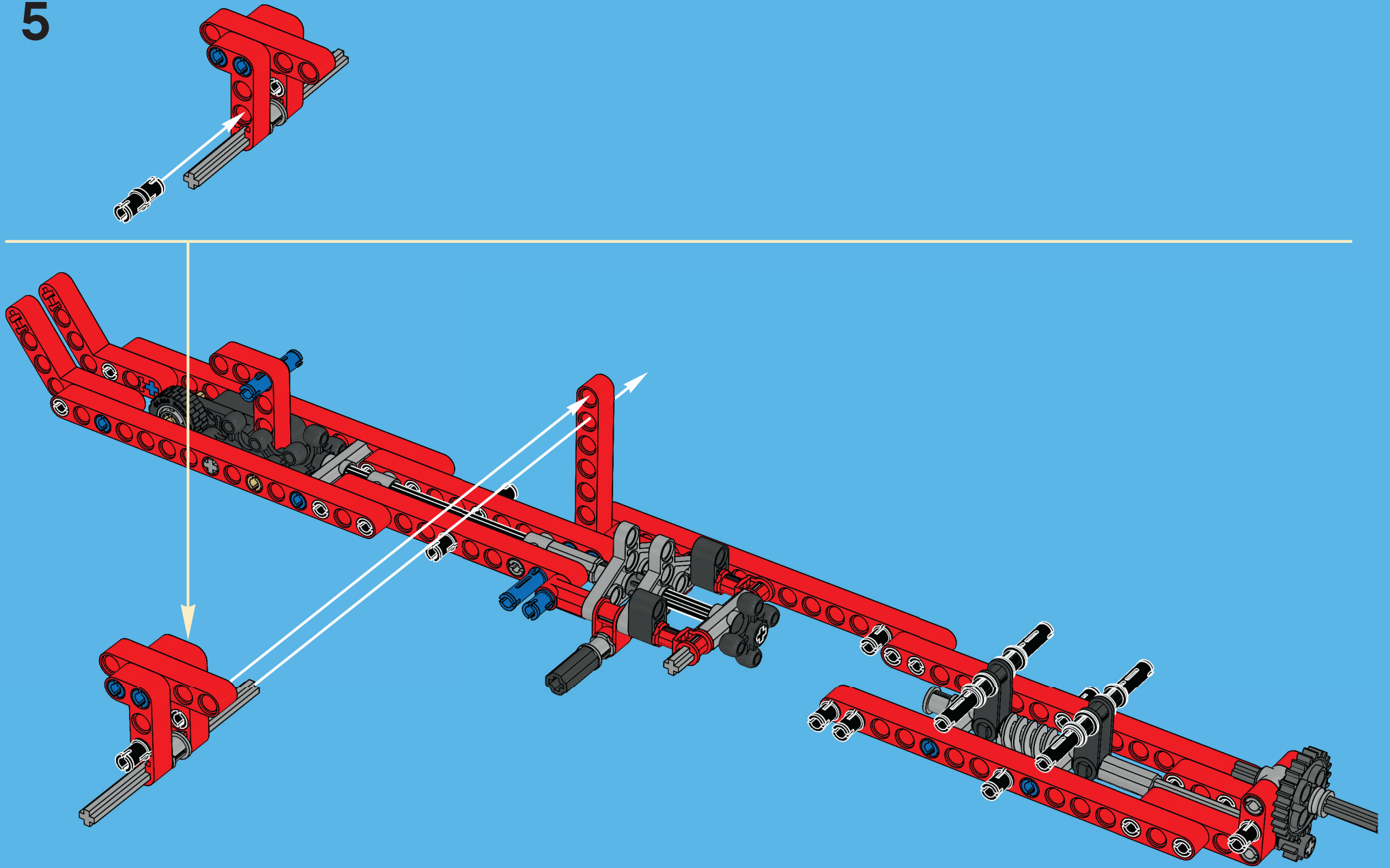
3

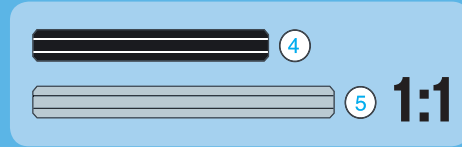
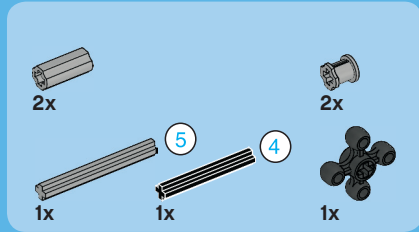


4

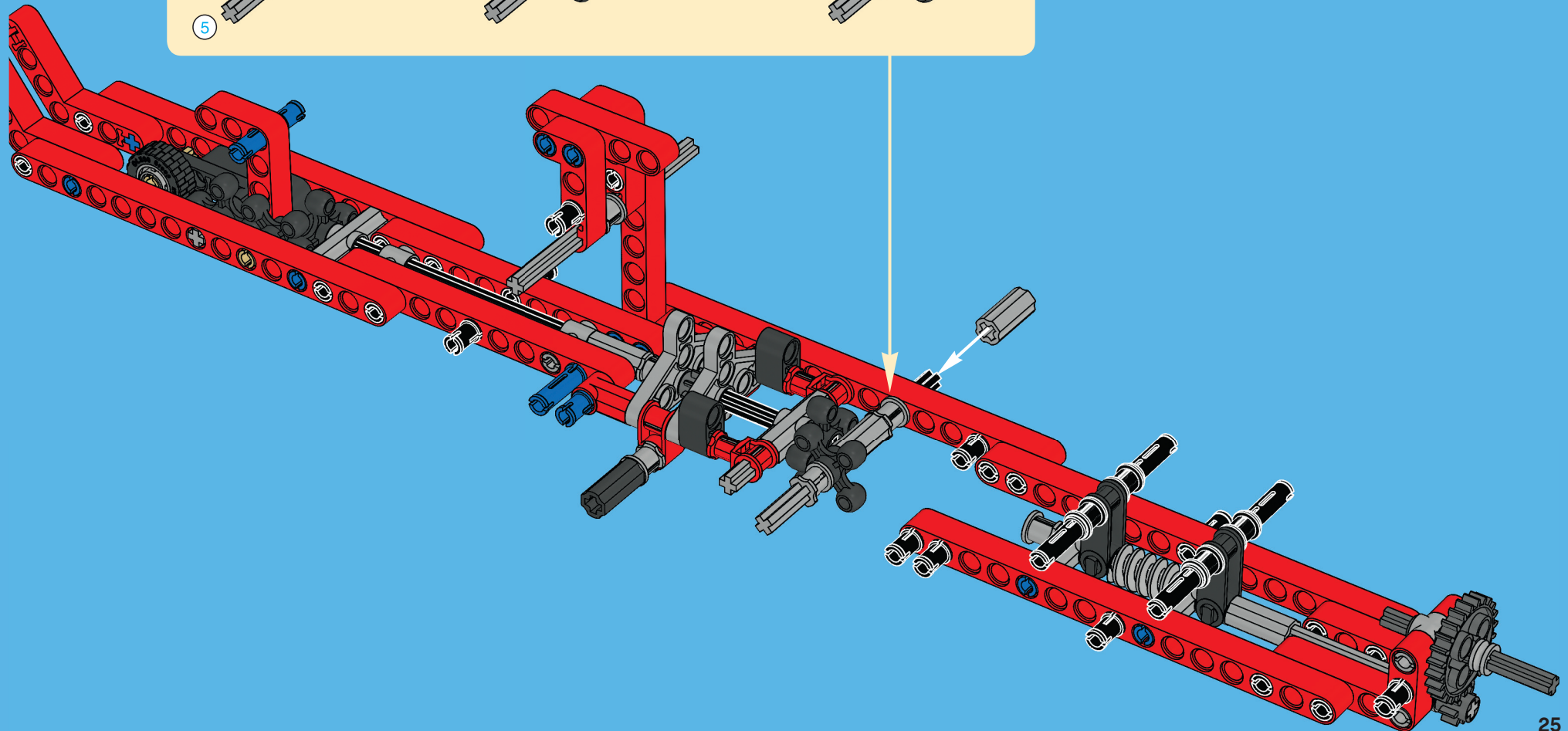
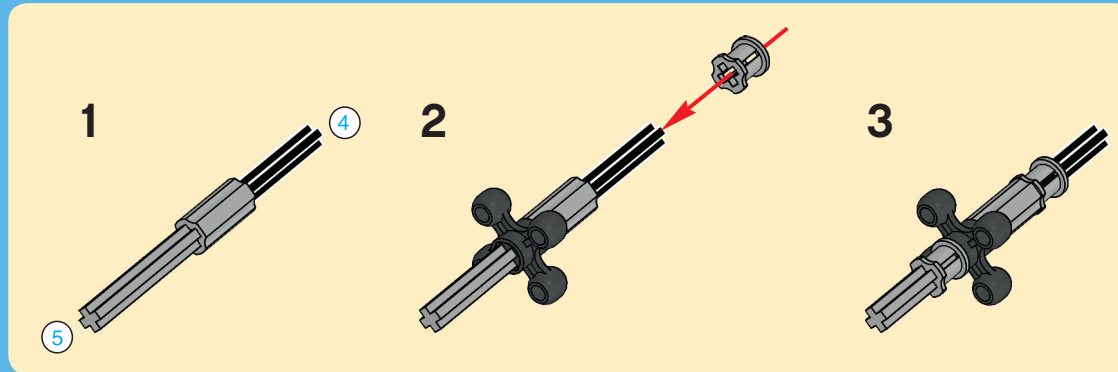


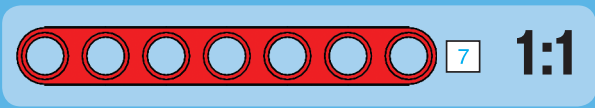
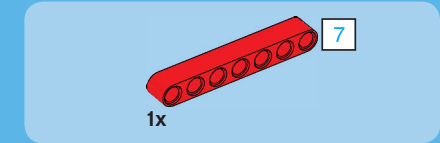
5



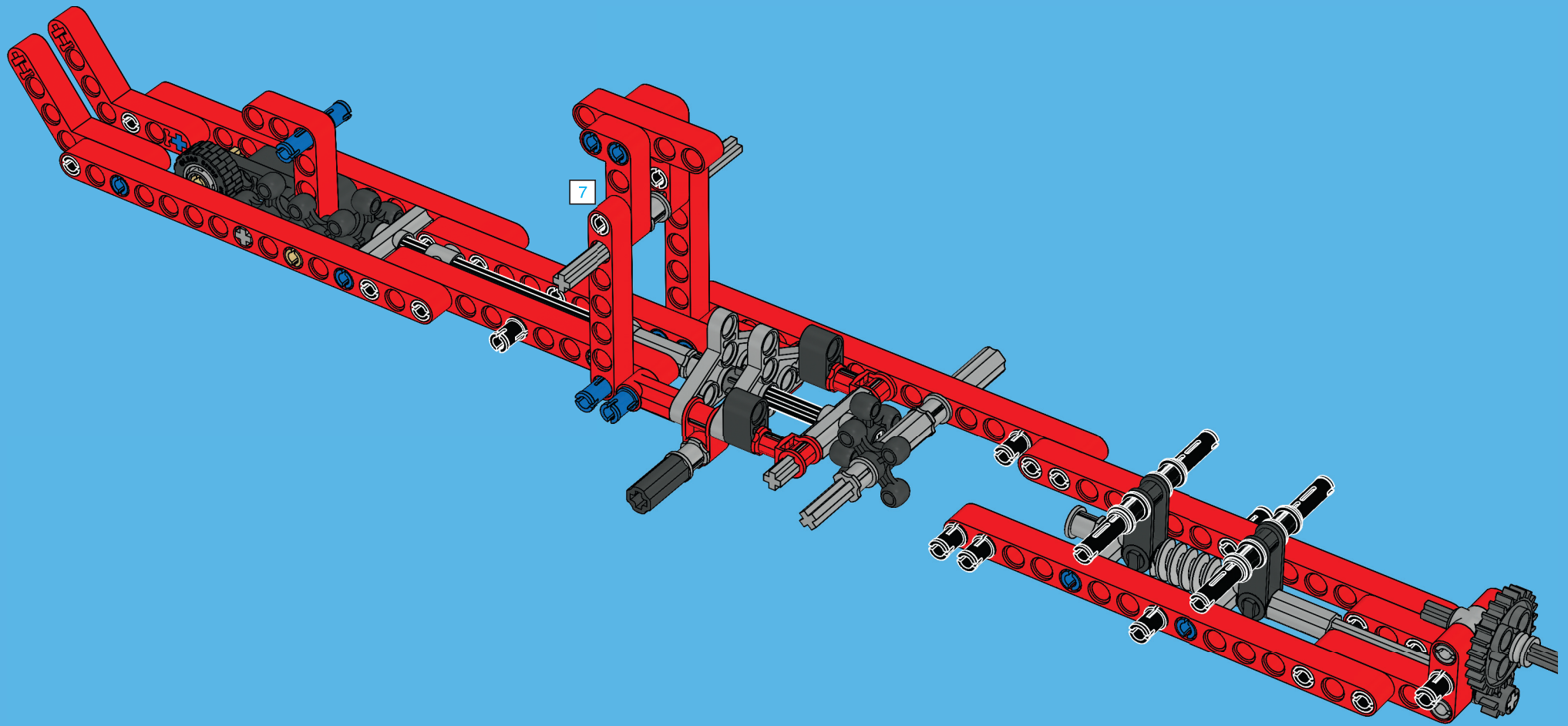


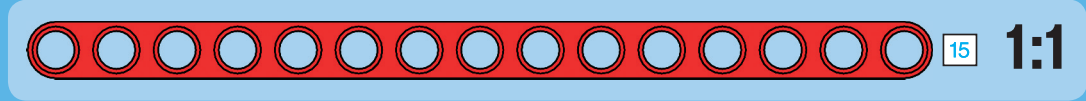
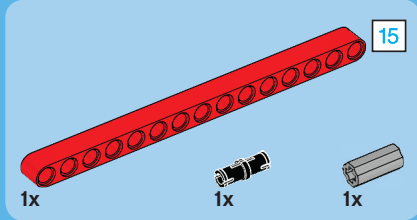
19



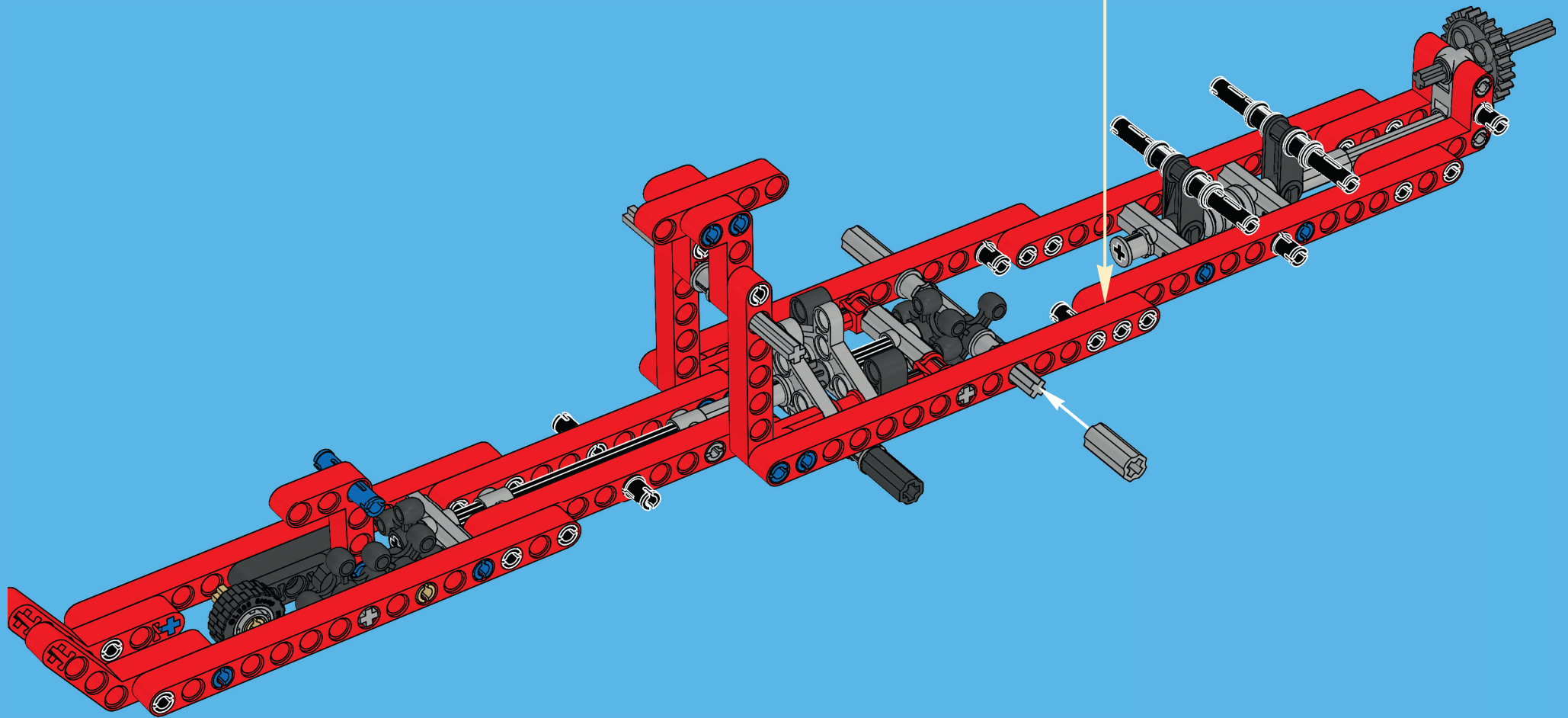
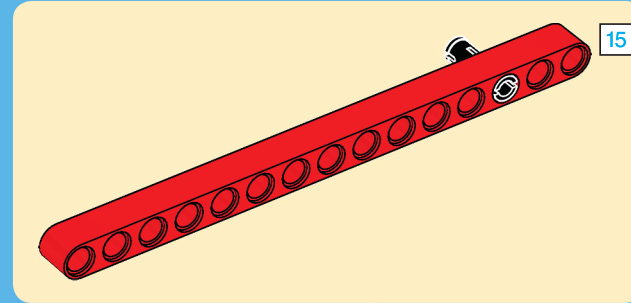


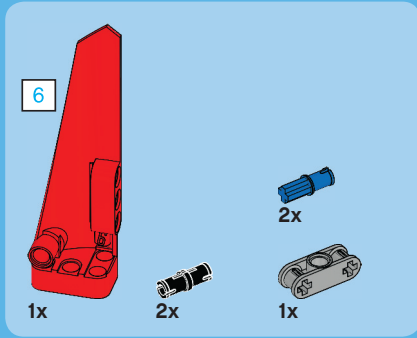
20



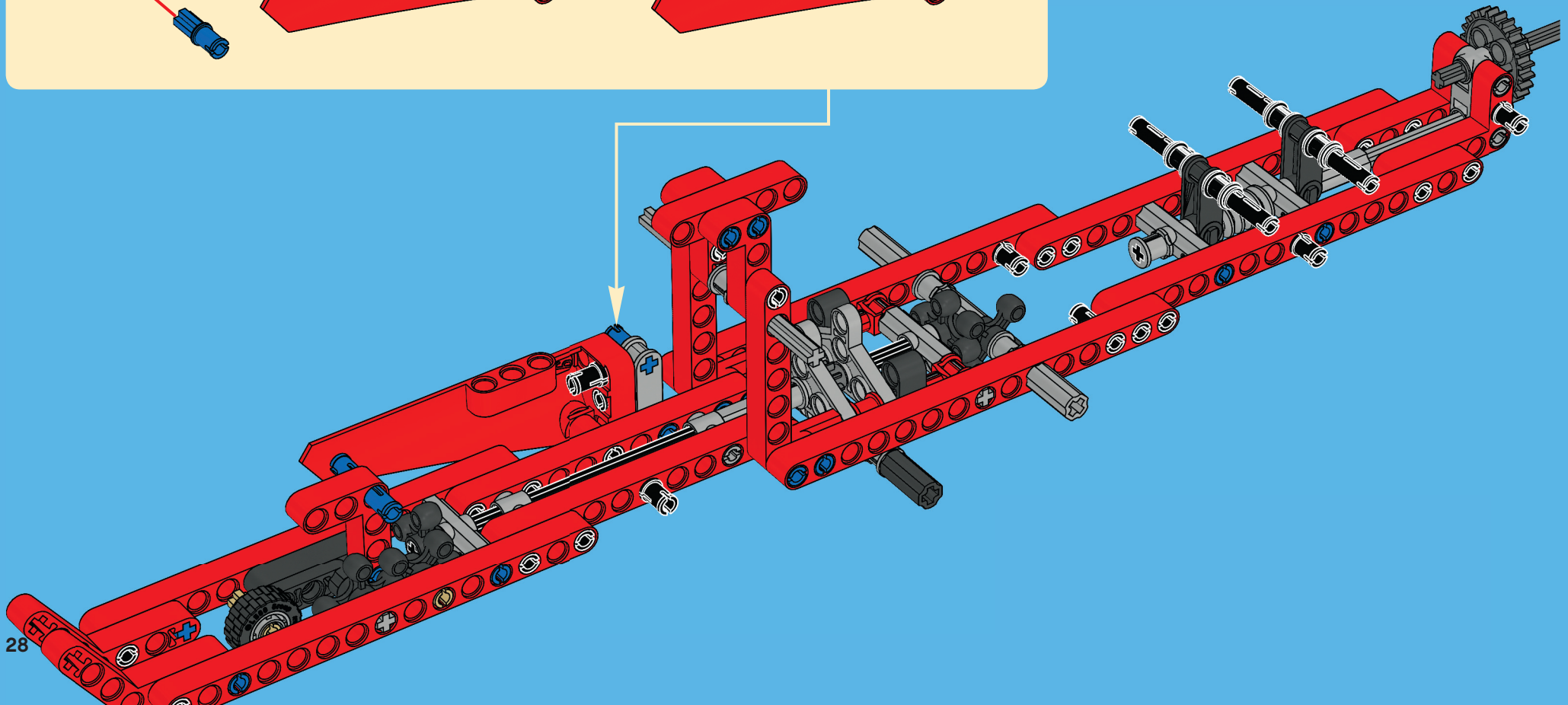
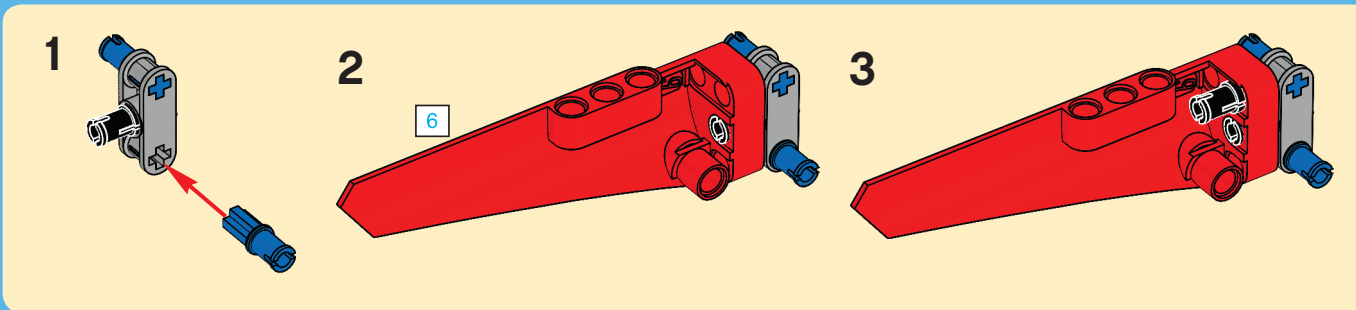


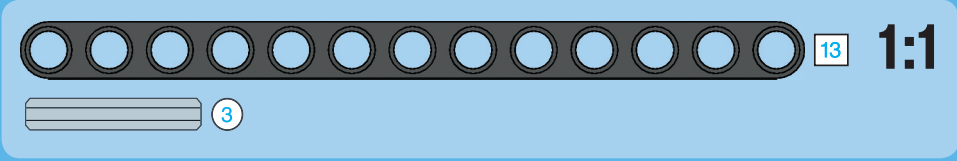
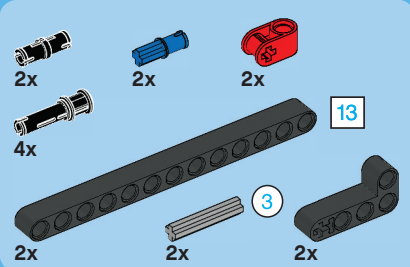
21



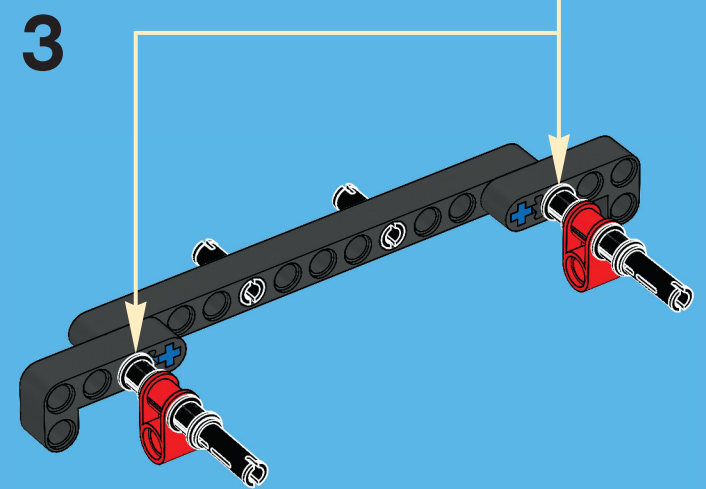
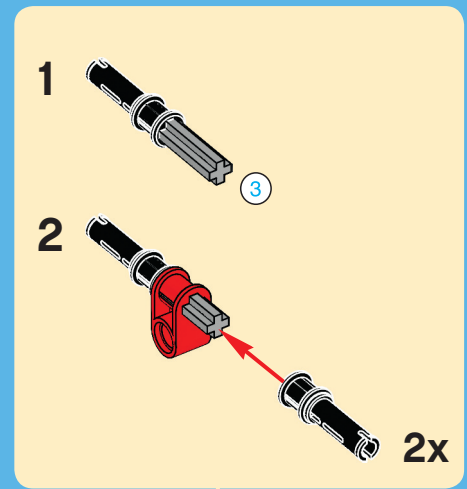
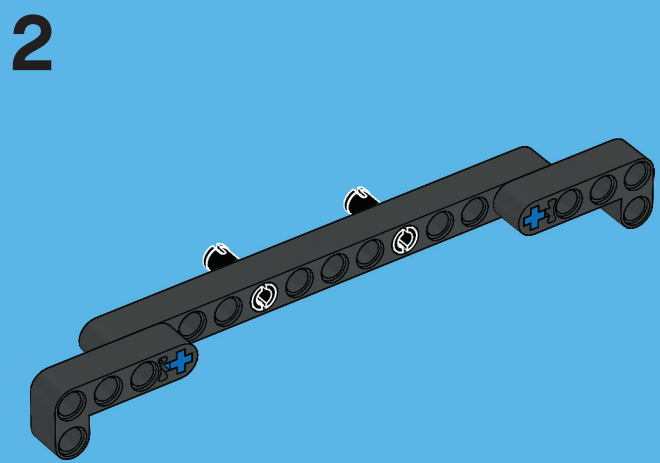
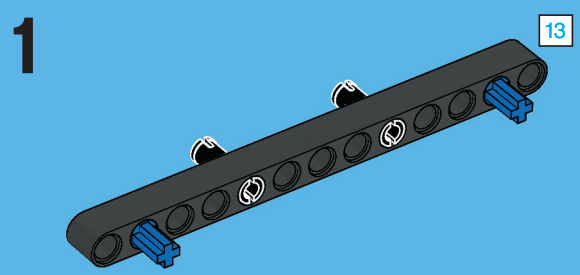


22





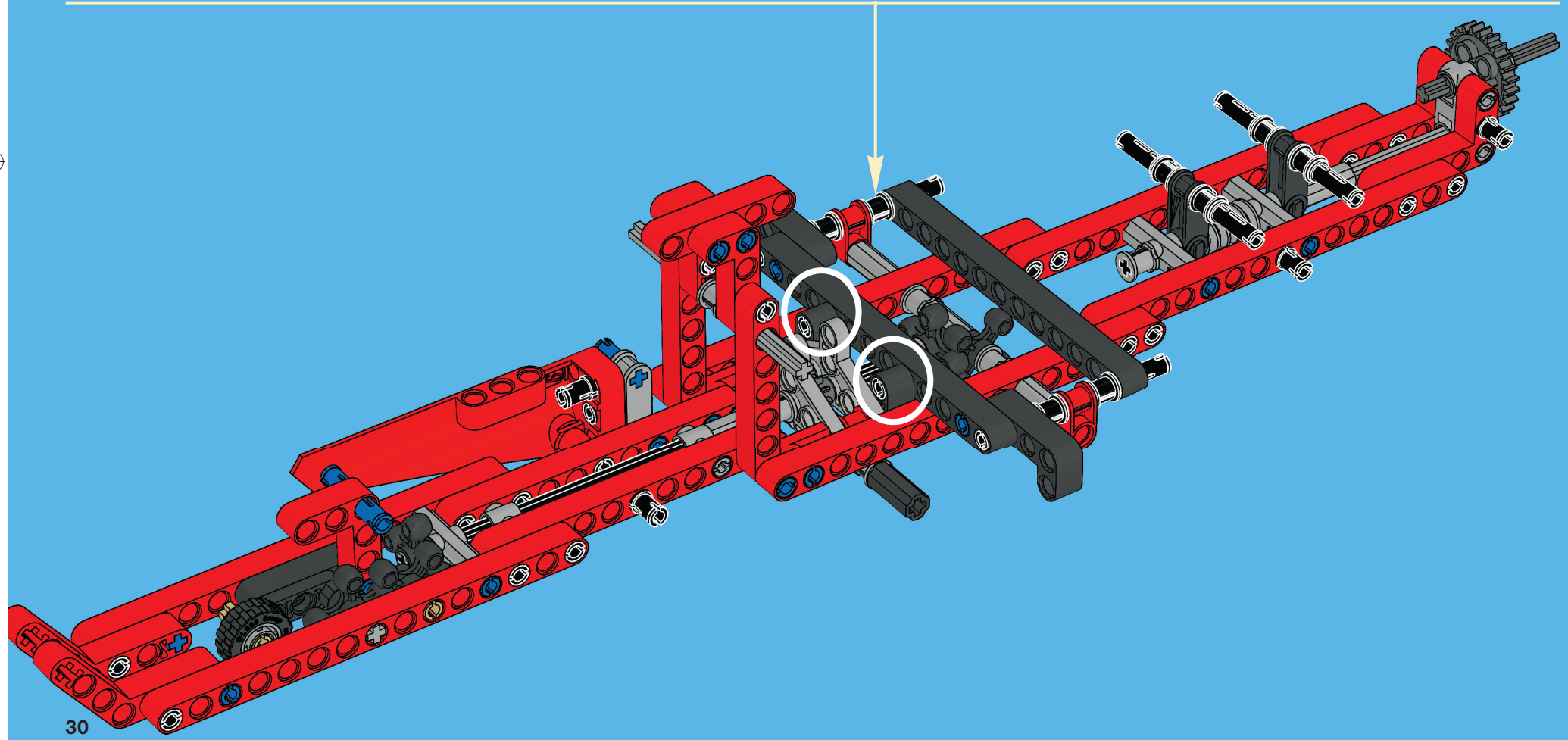
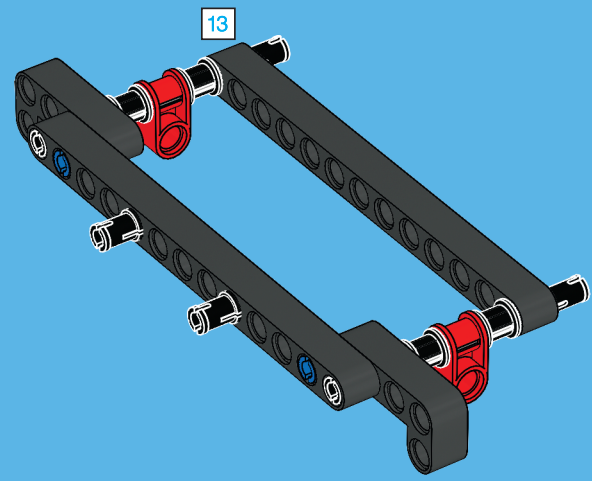
23



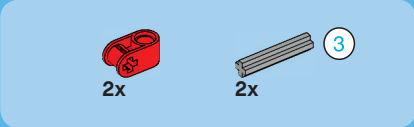


4

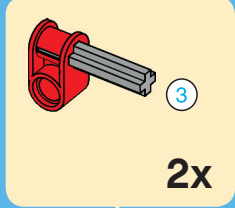
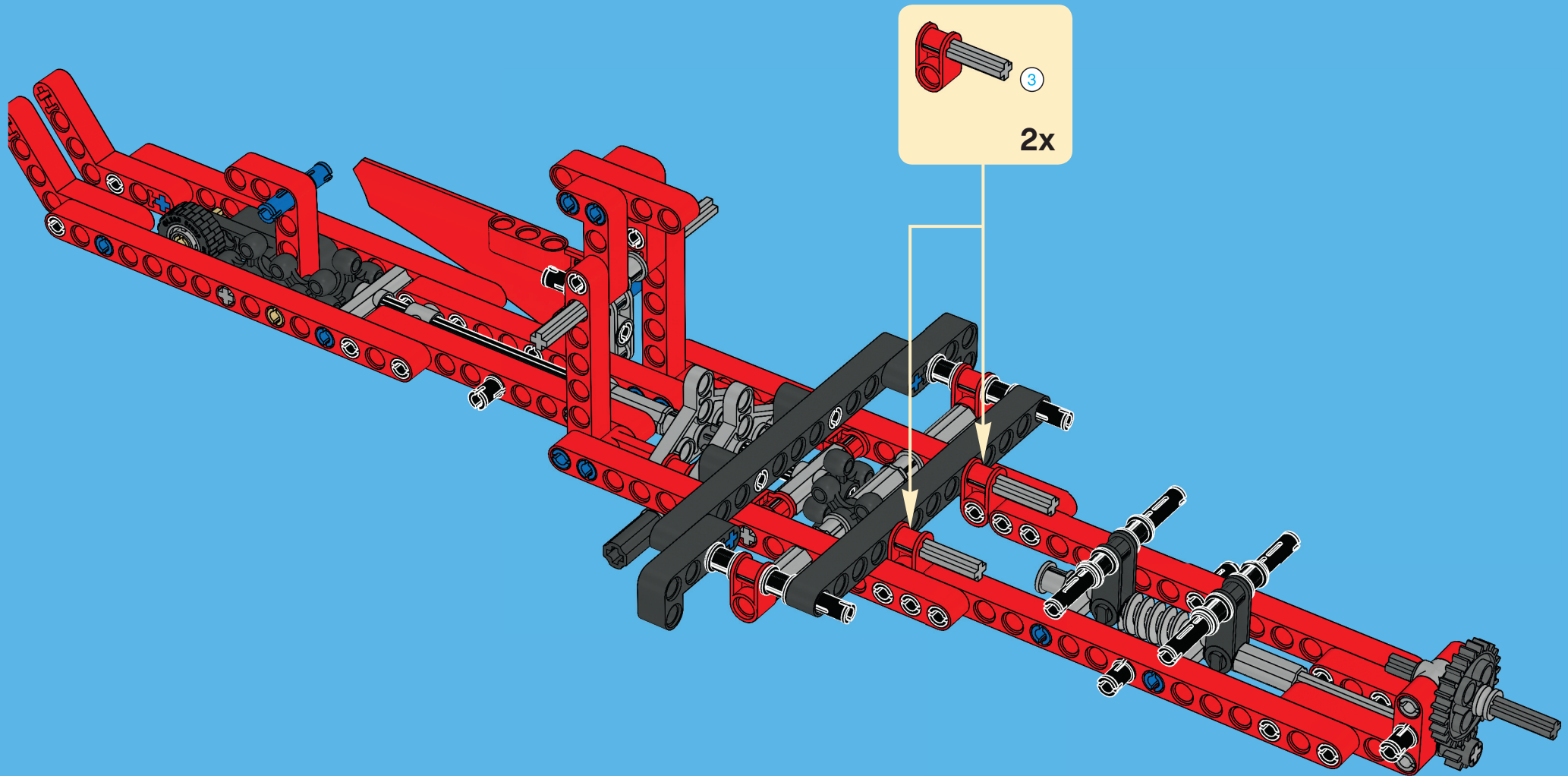
13



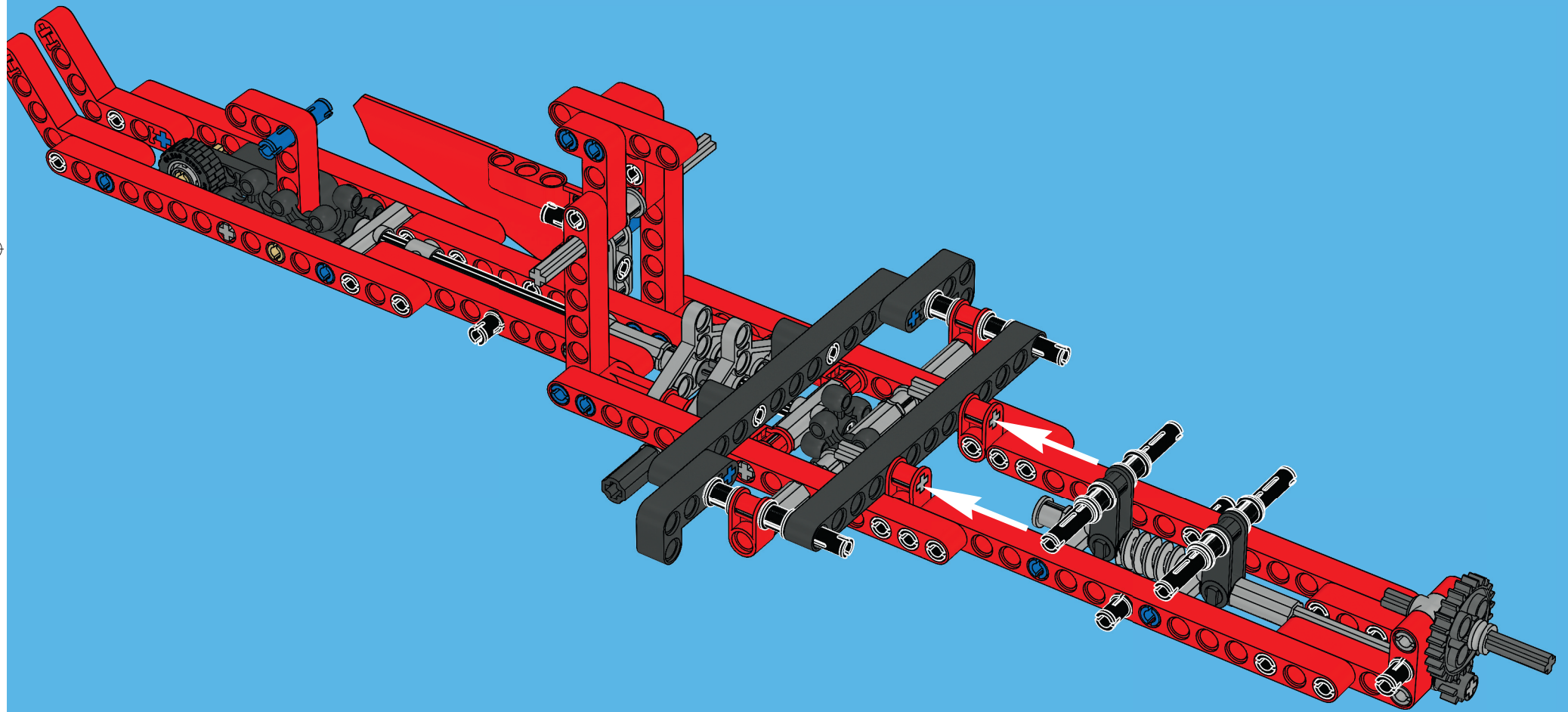
30

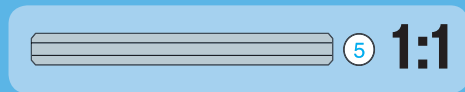
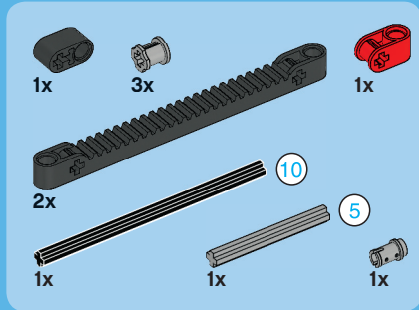


24



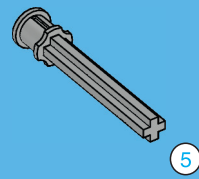
25



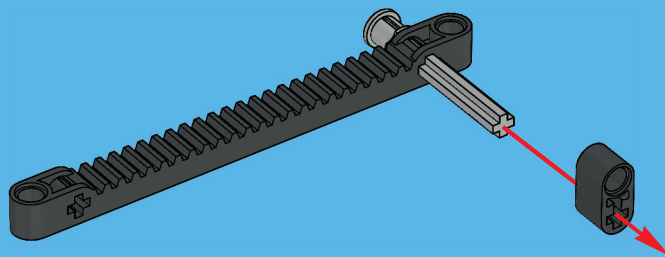


26

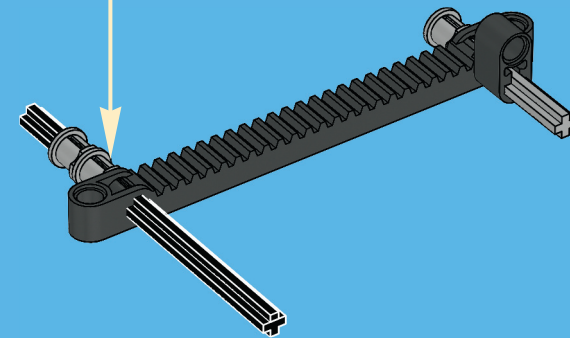
1



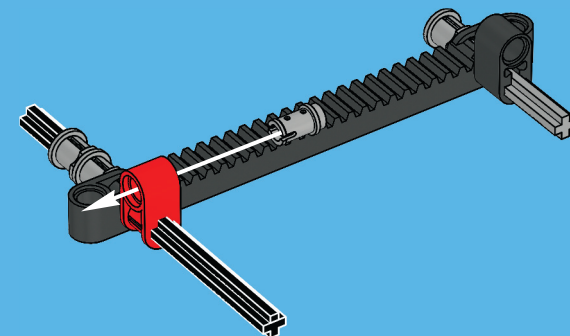
2

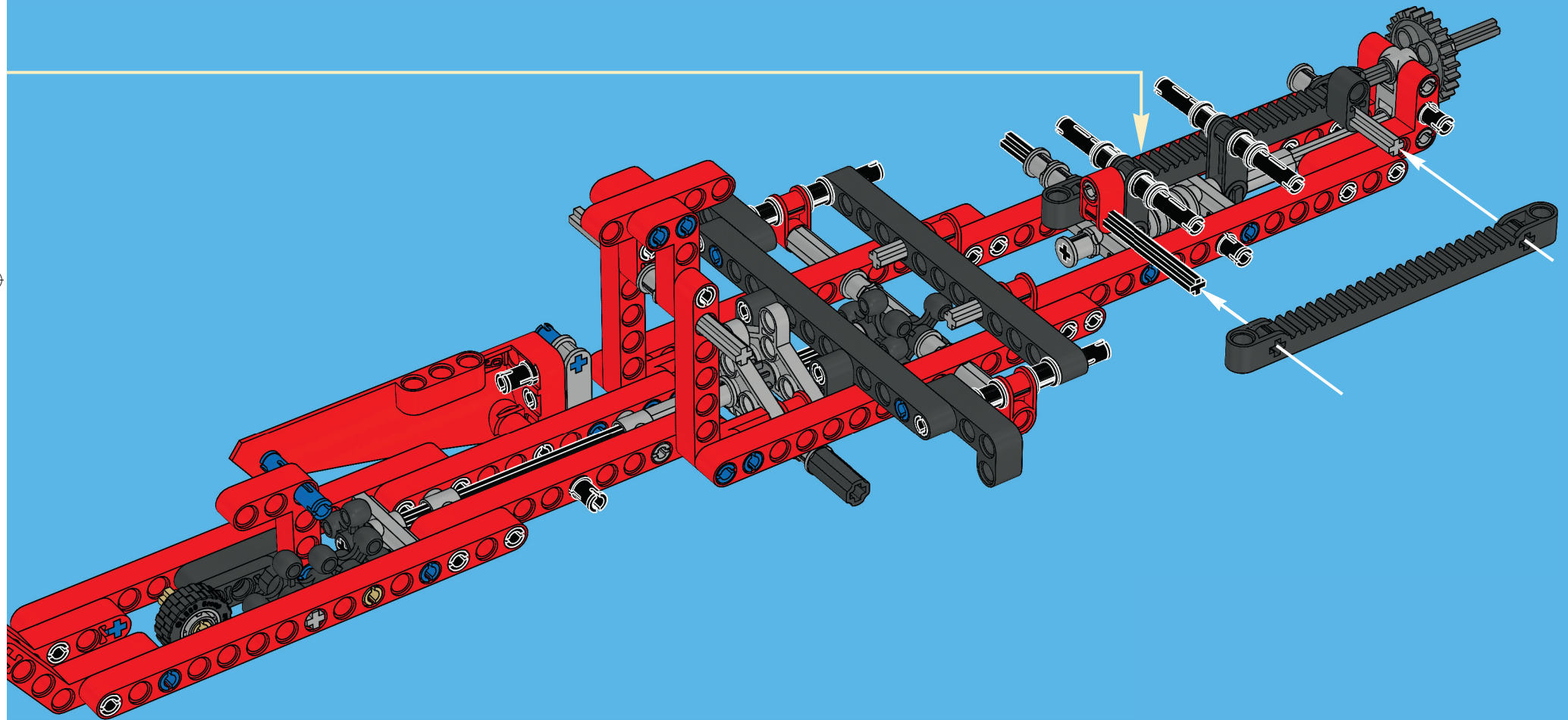


3



4

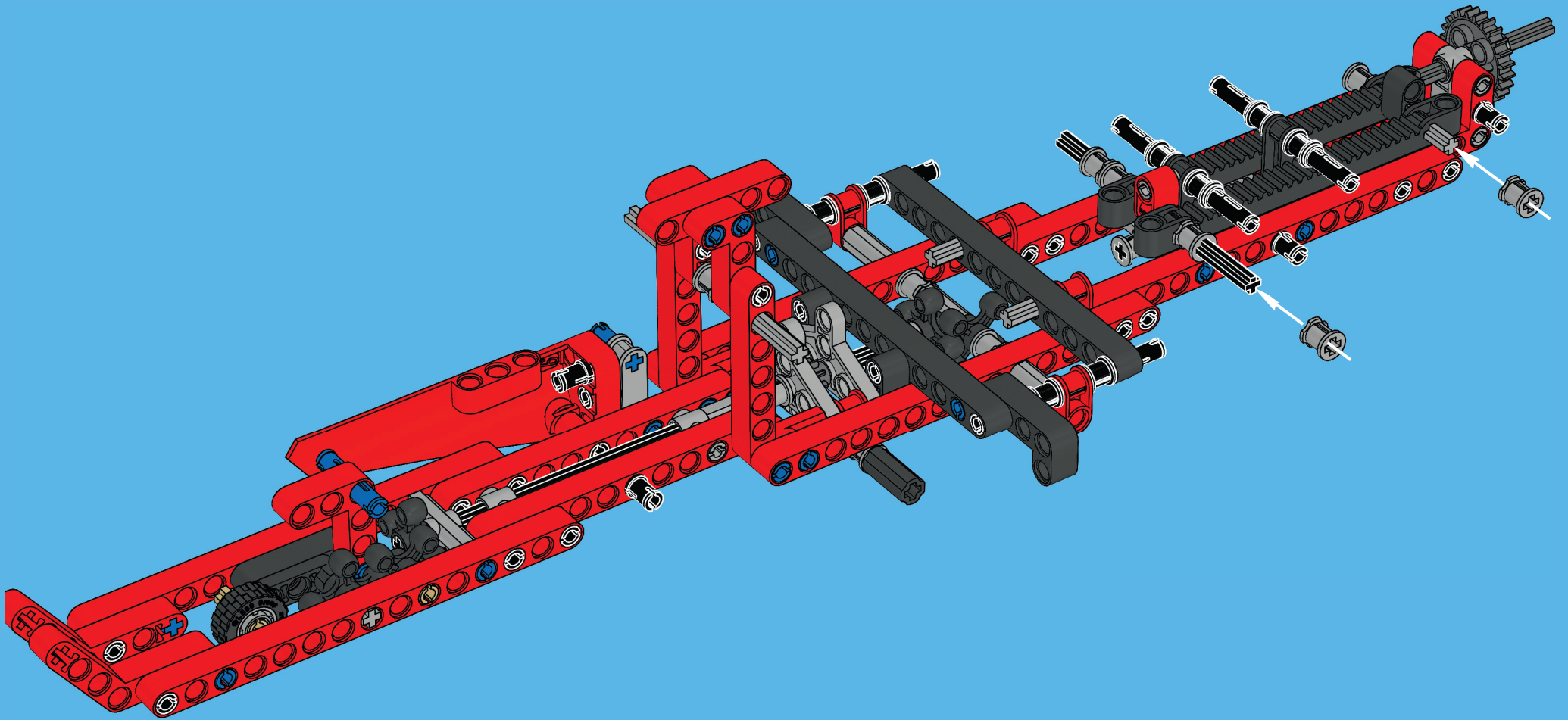


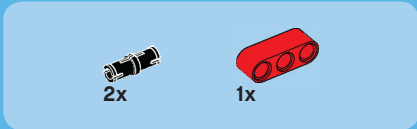




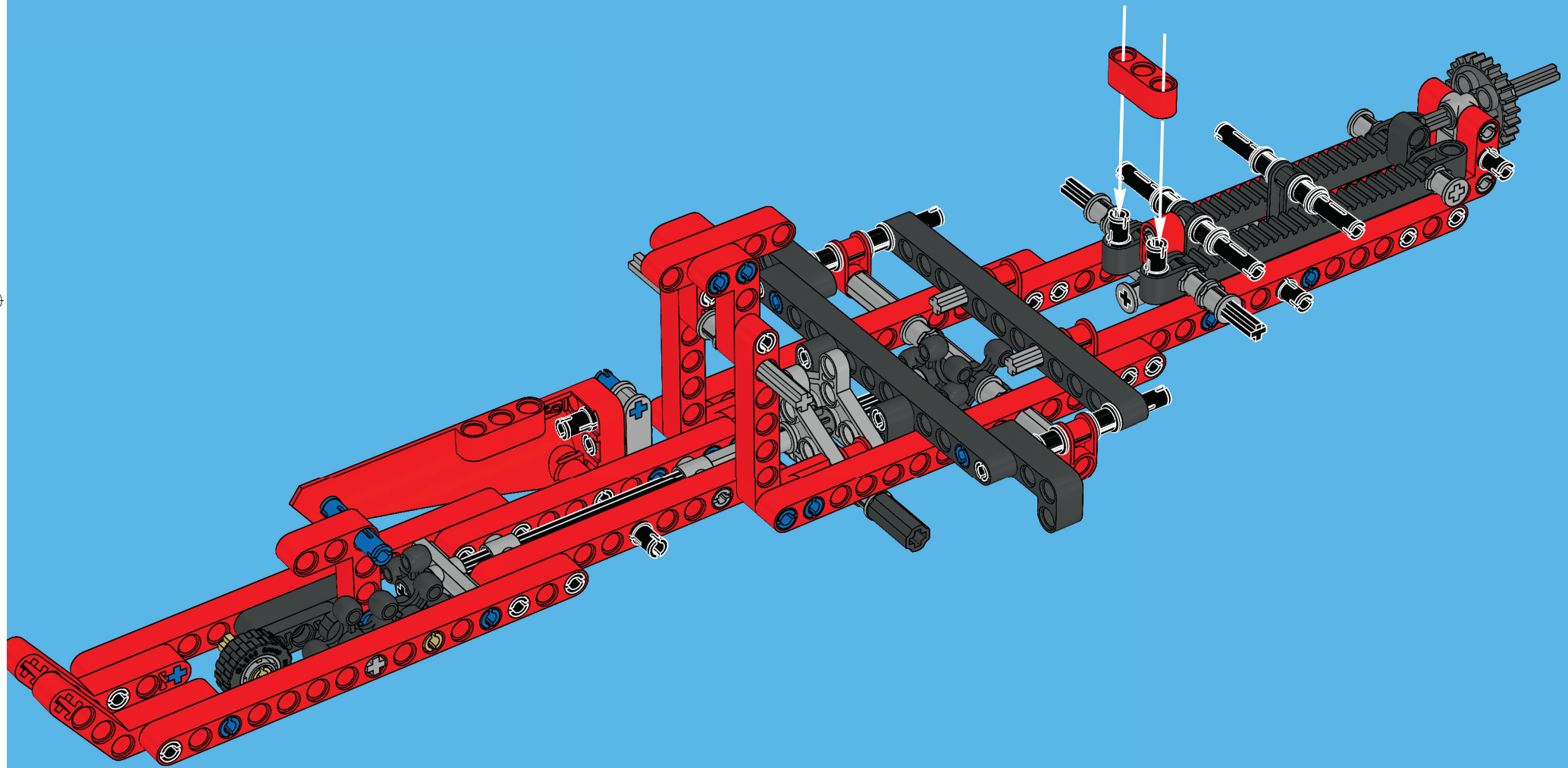
3x

27



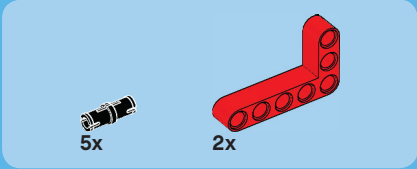


28

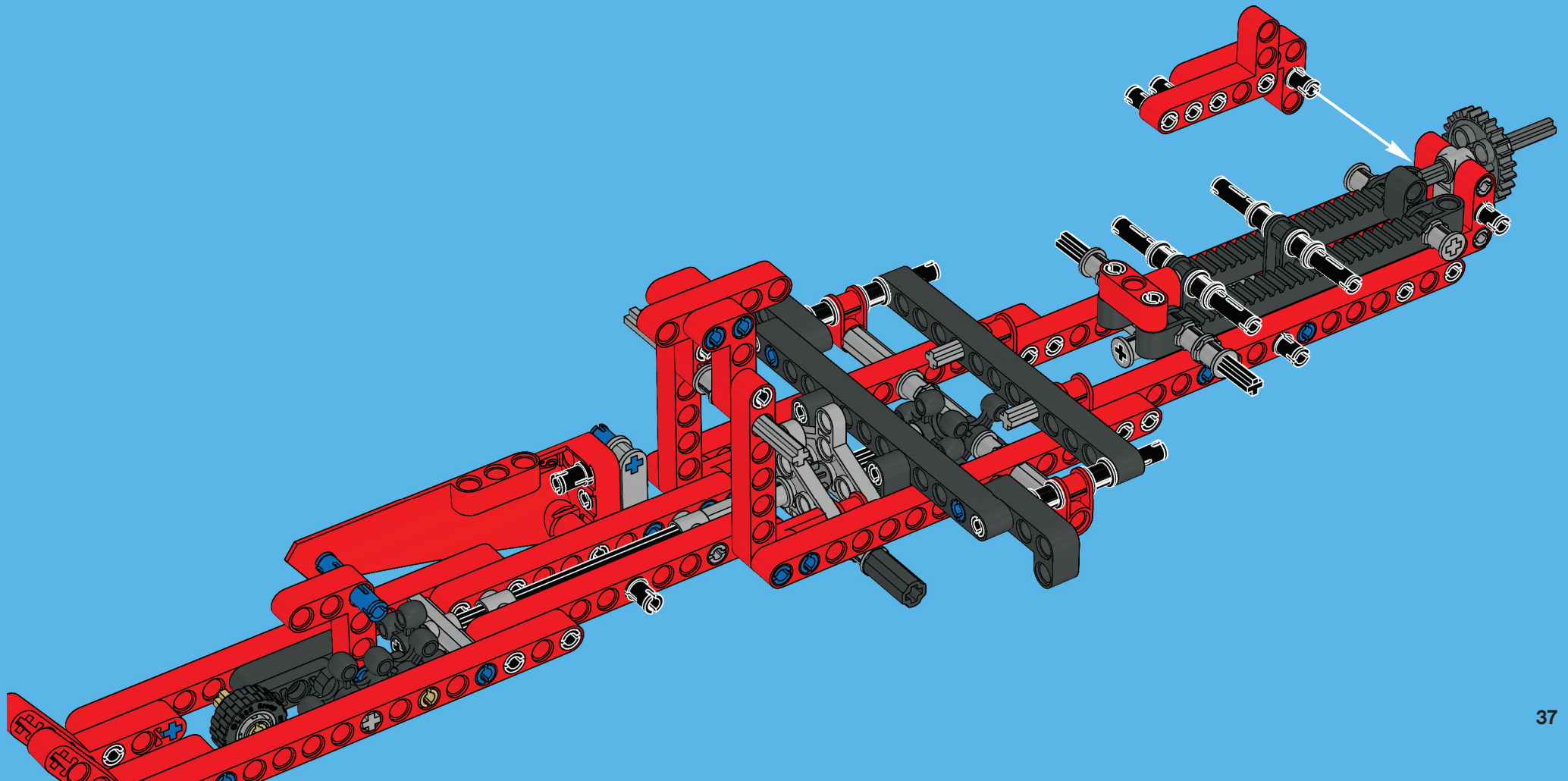
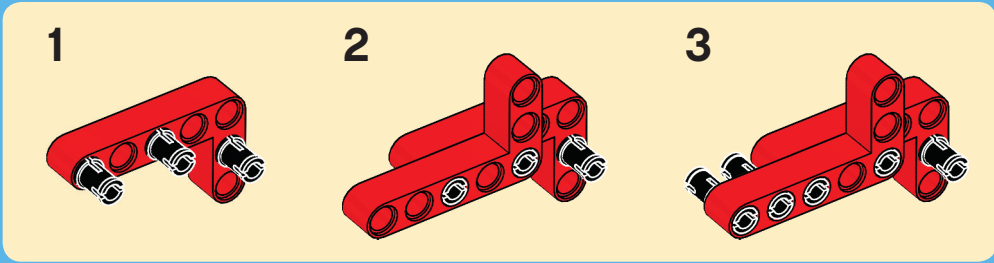


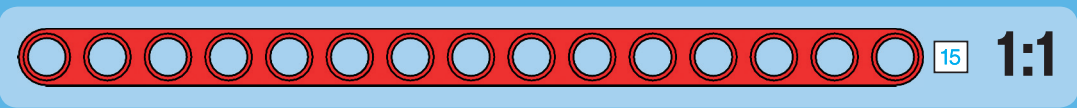
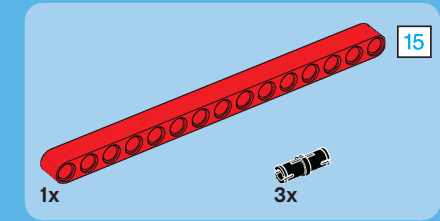
36



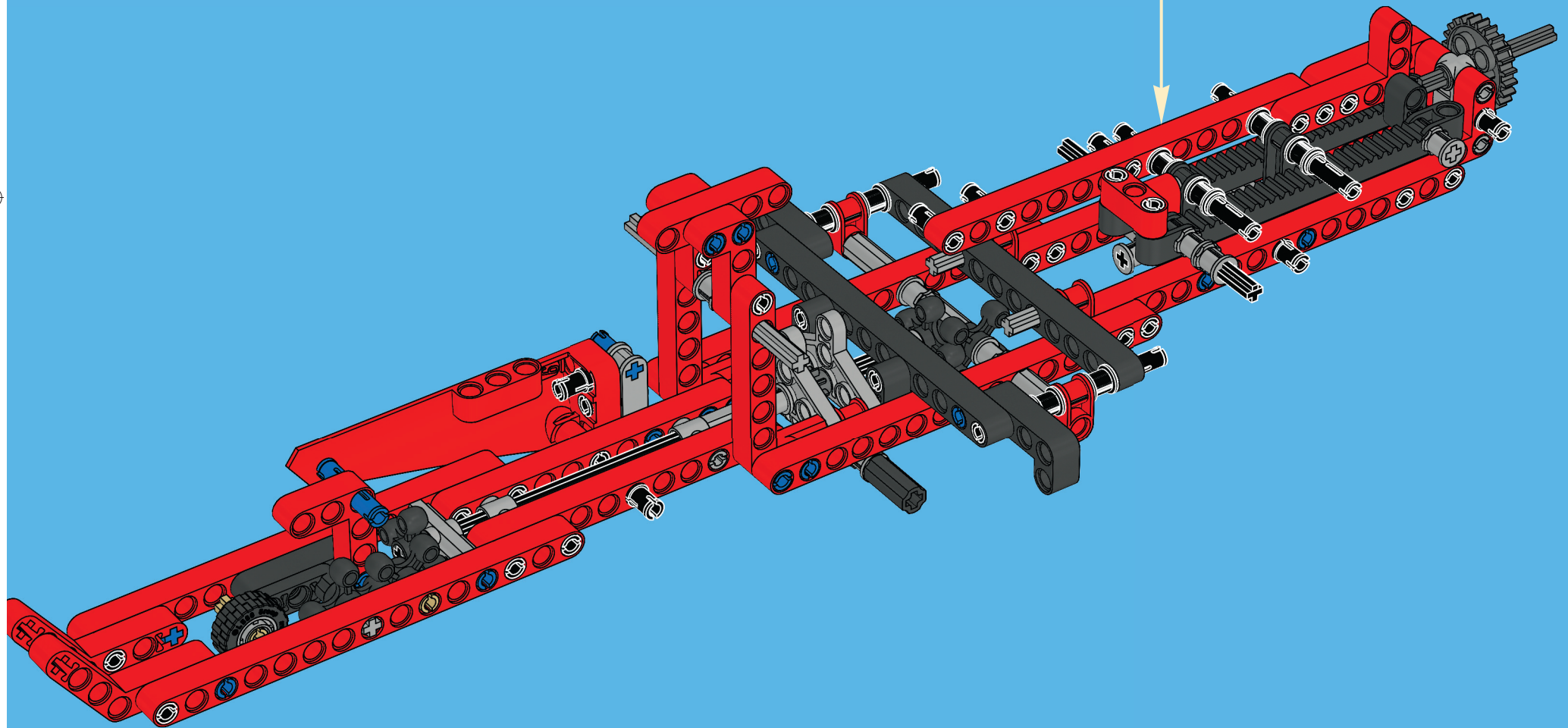
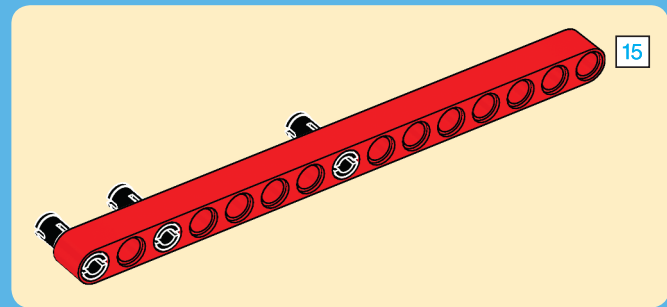


29

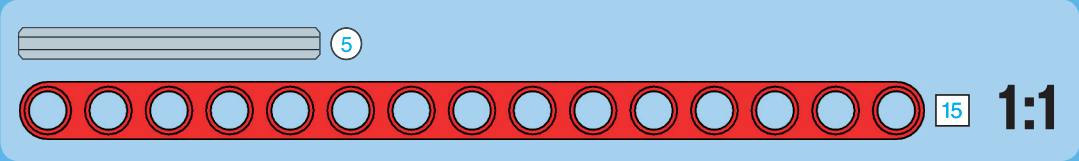
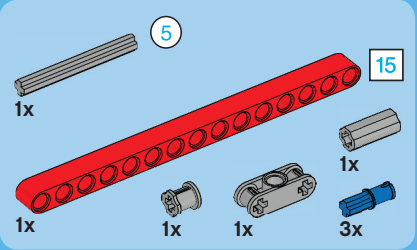




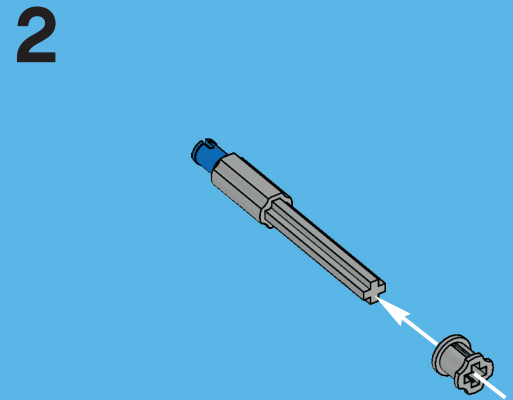
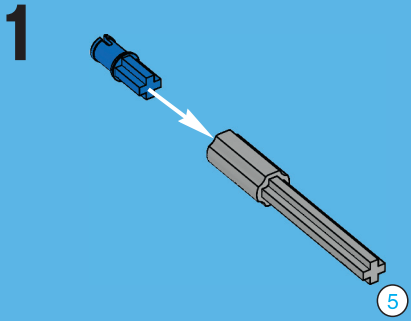
30



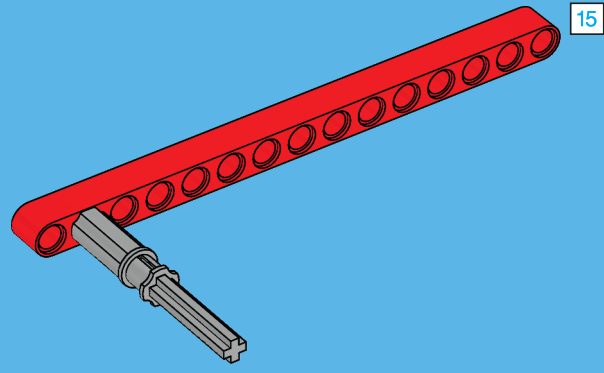
38



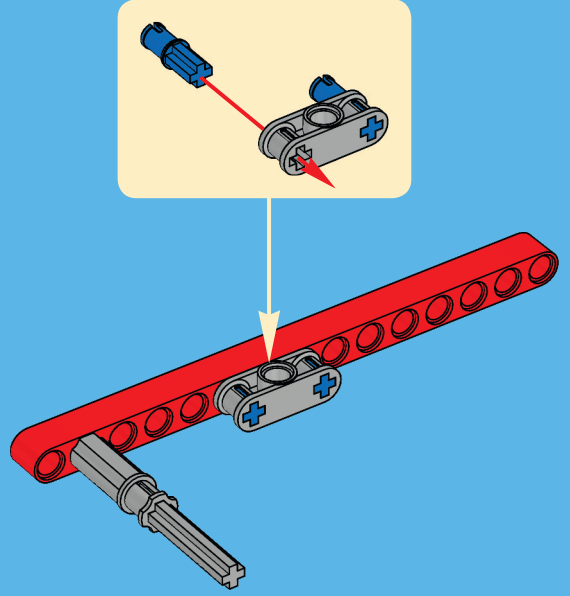
31

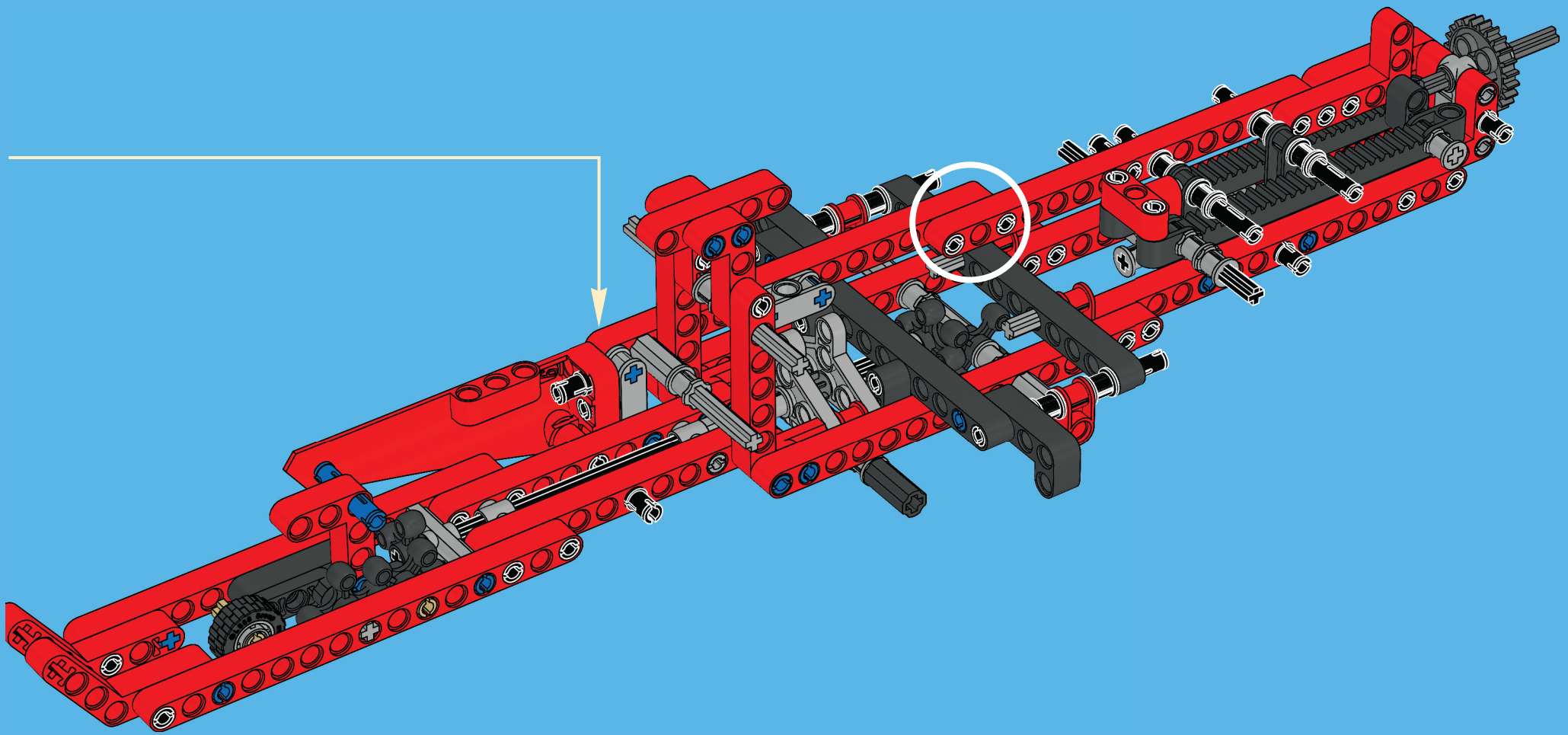


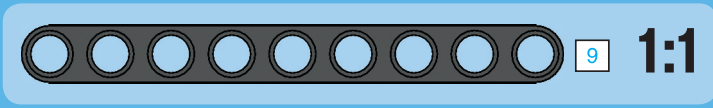
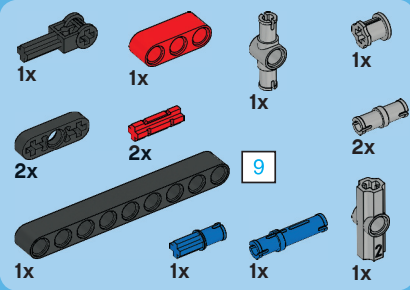
3



4

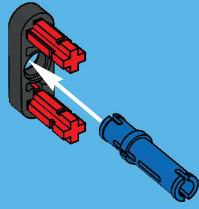




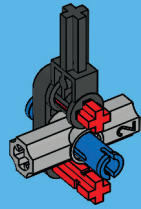


32

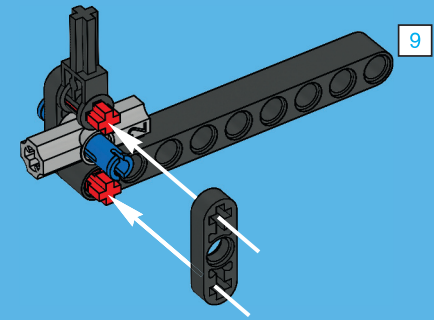
1



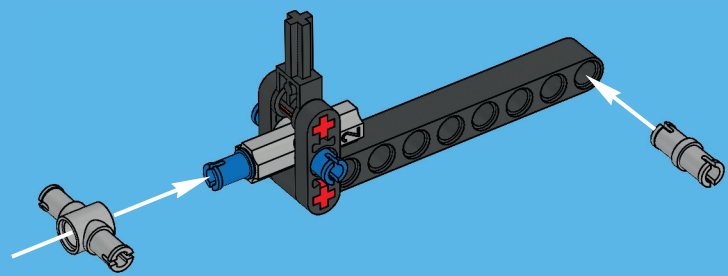
2



3

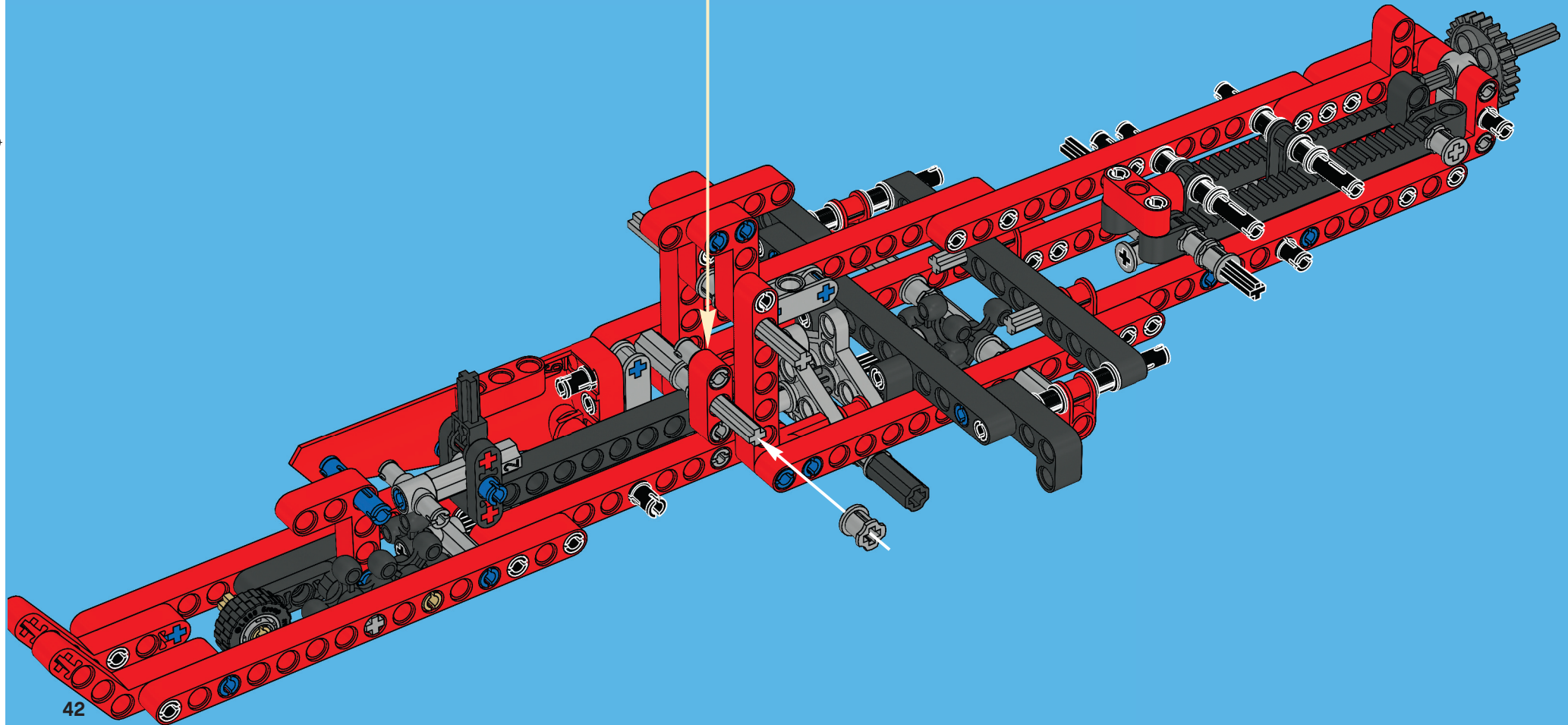
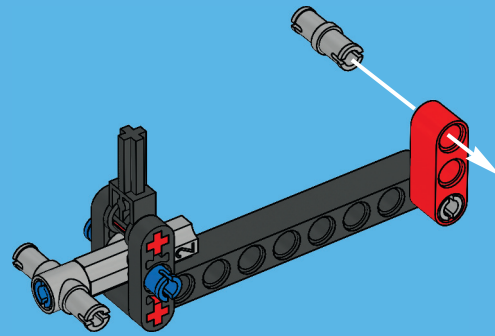


4



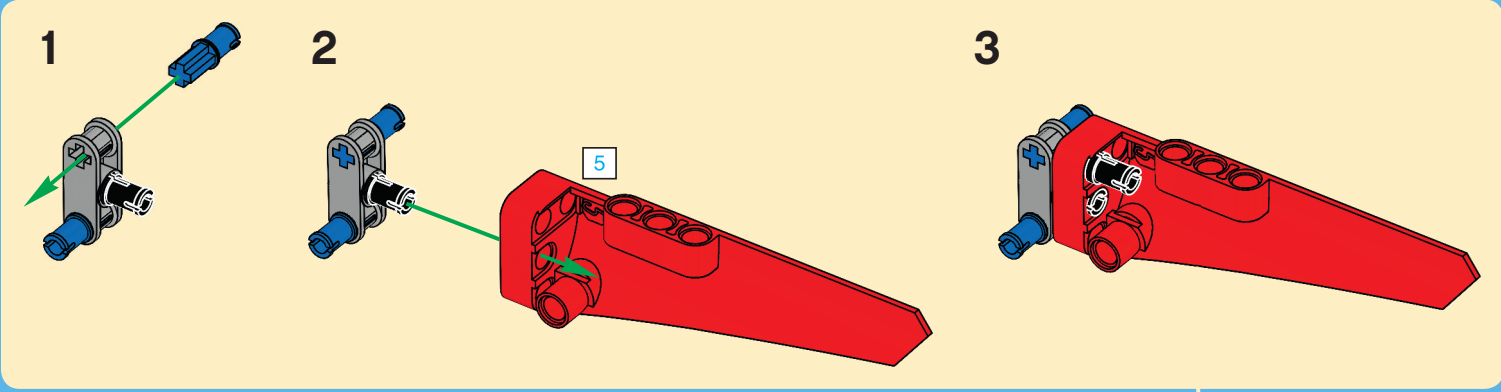
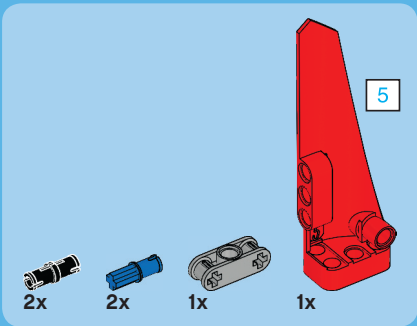


5

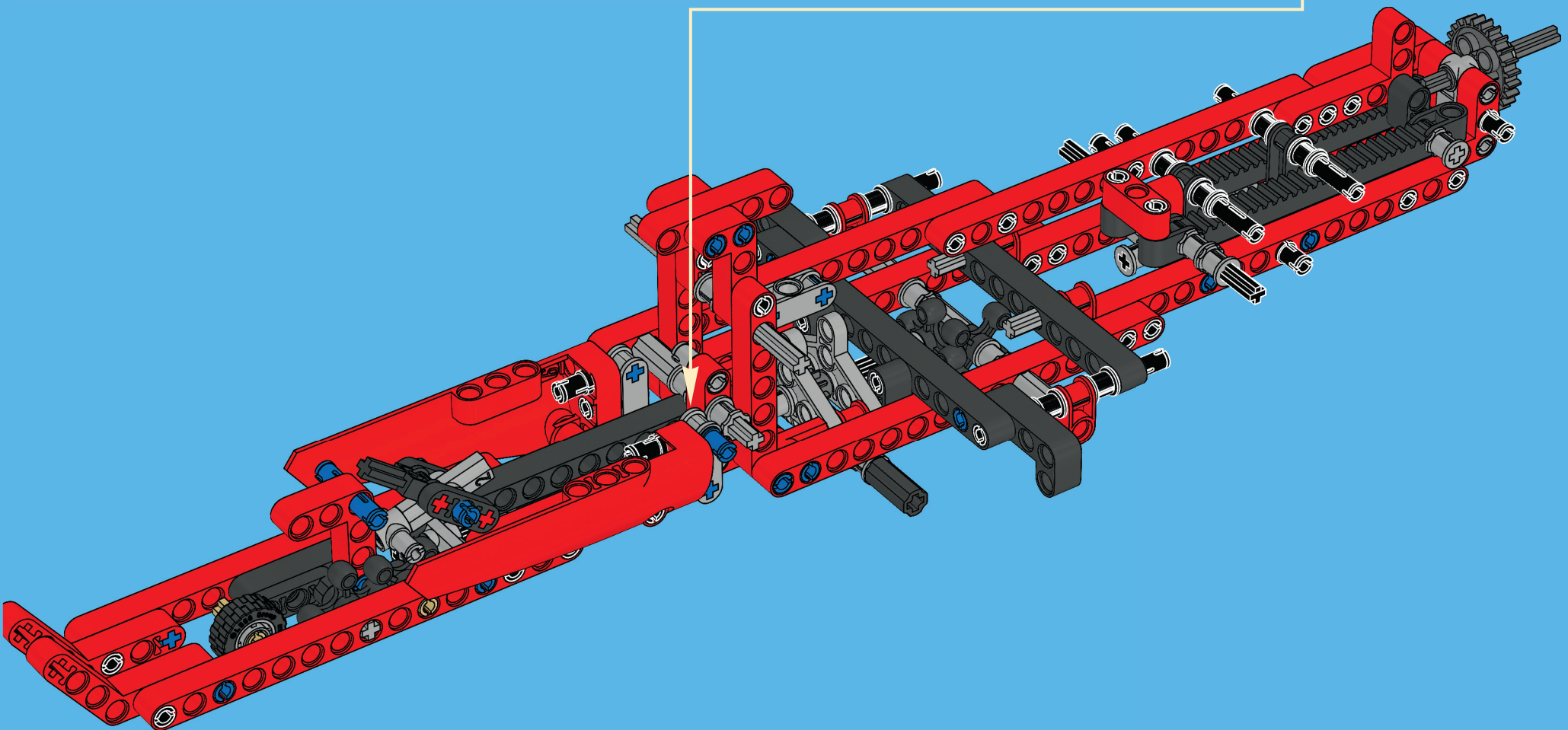


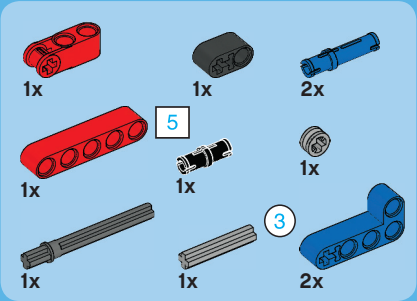
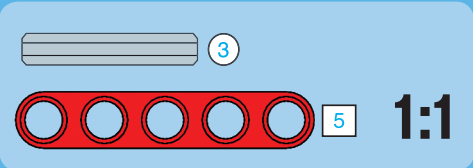
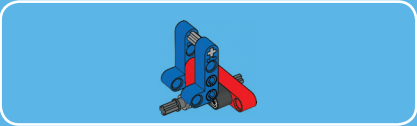
42





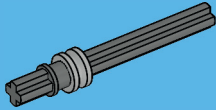
33



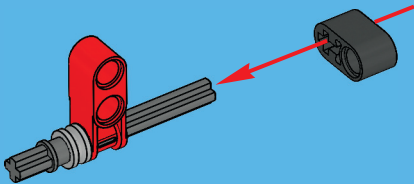


34

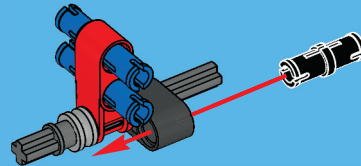
1



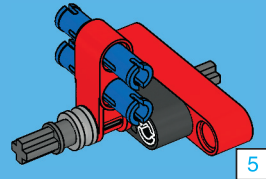
2



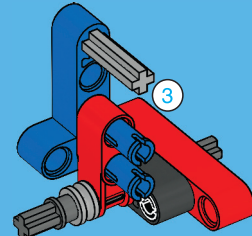
3



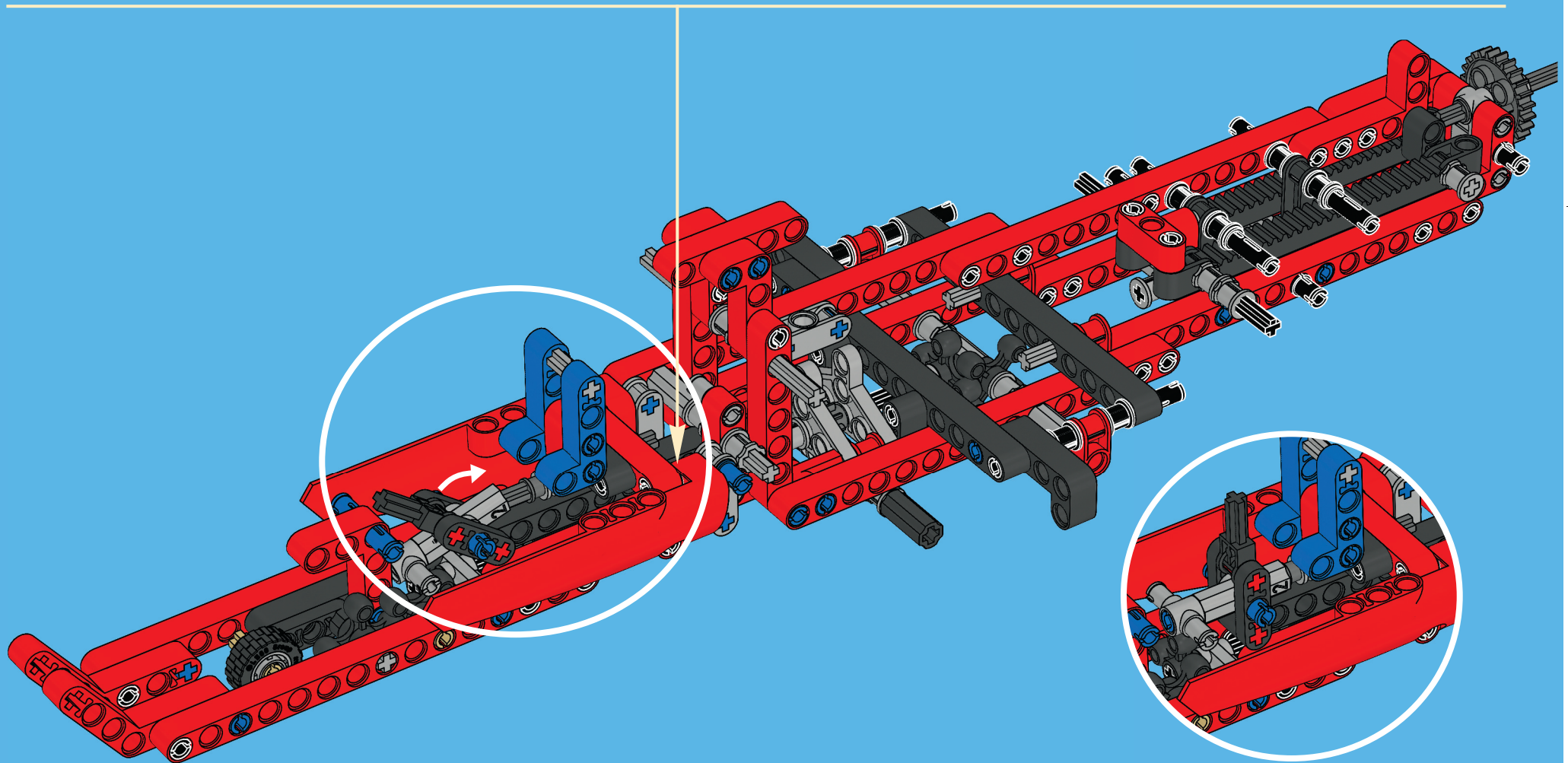
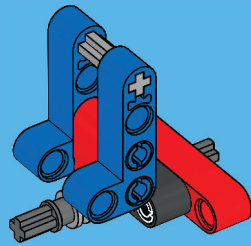
4

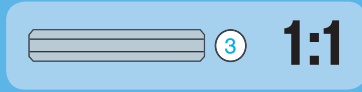
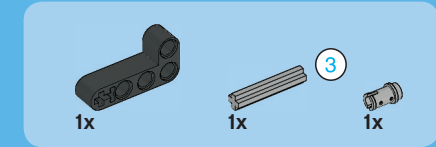


5

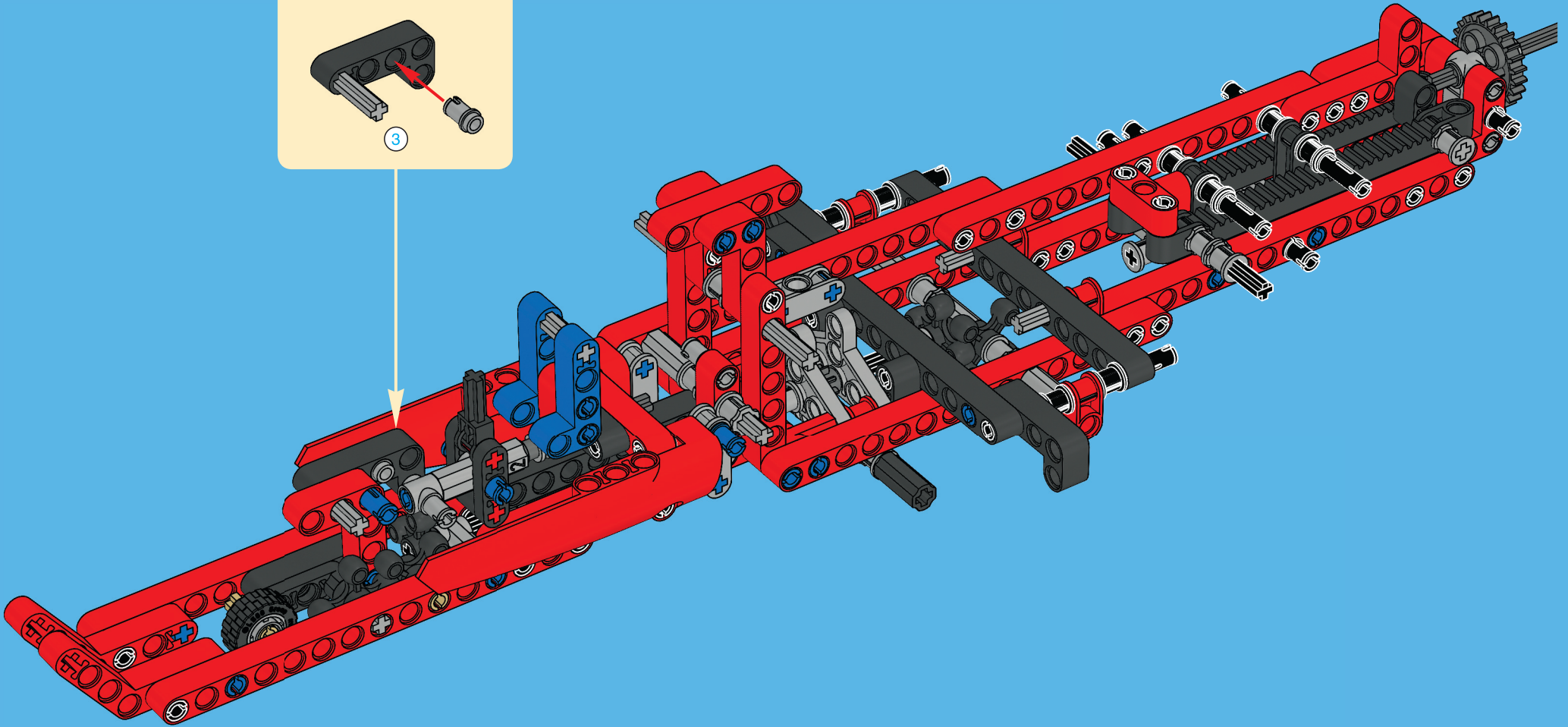
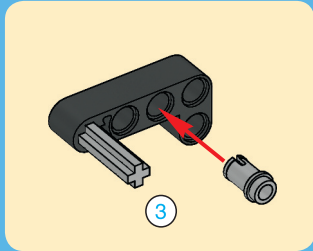


6



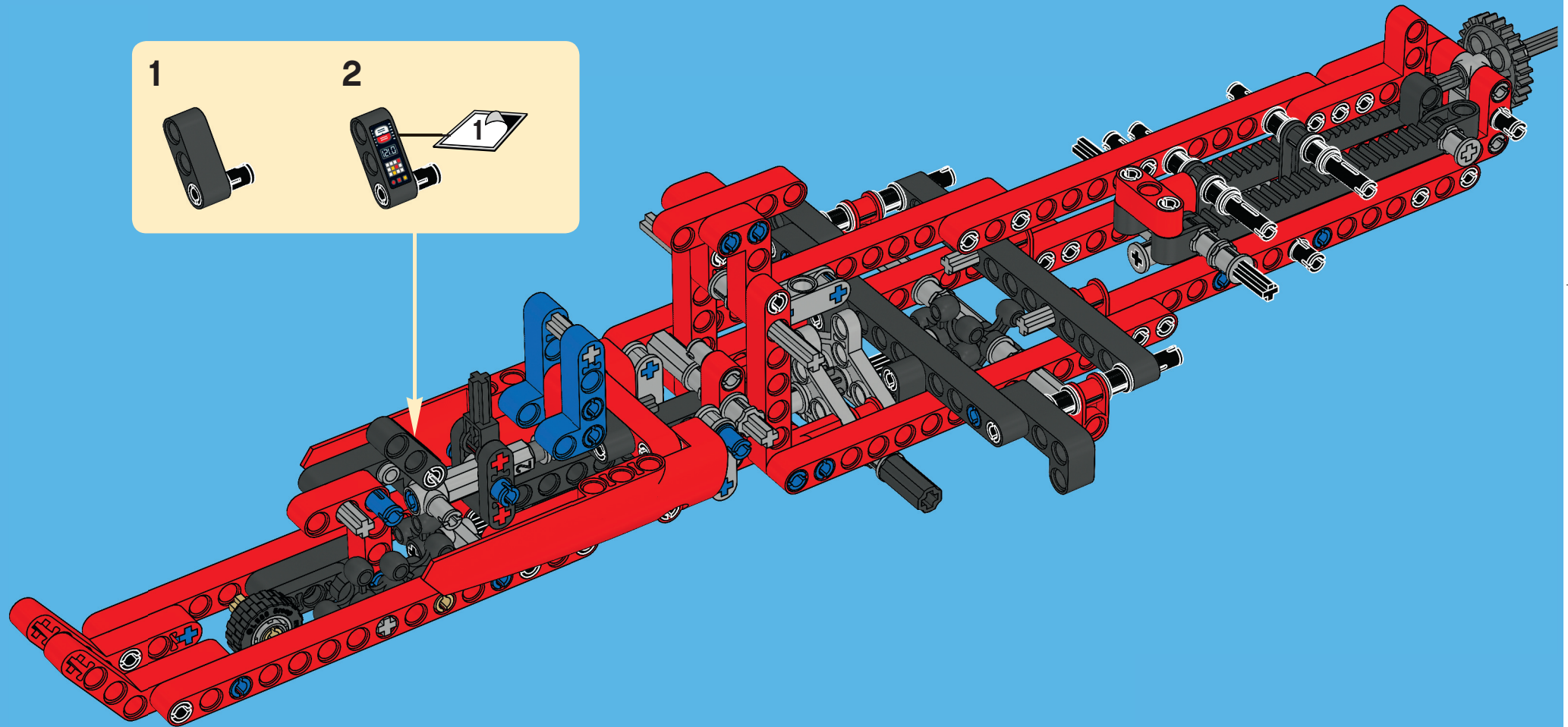
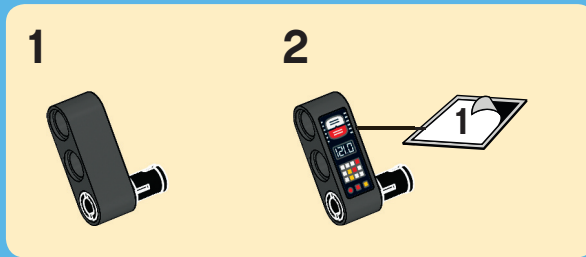


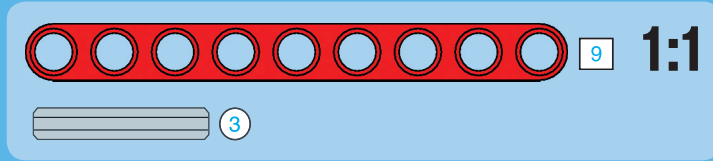
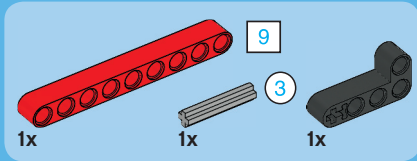
35



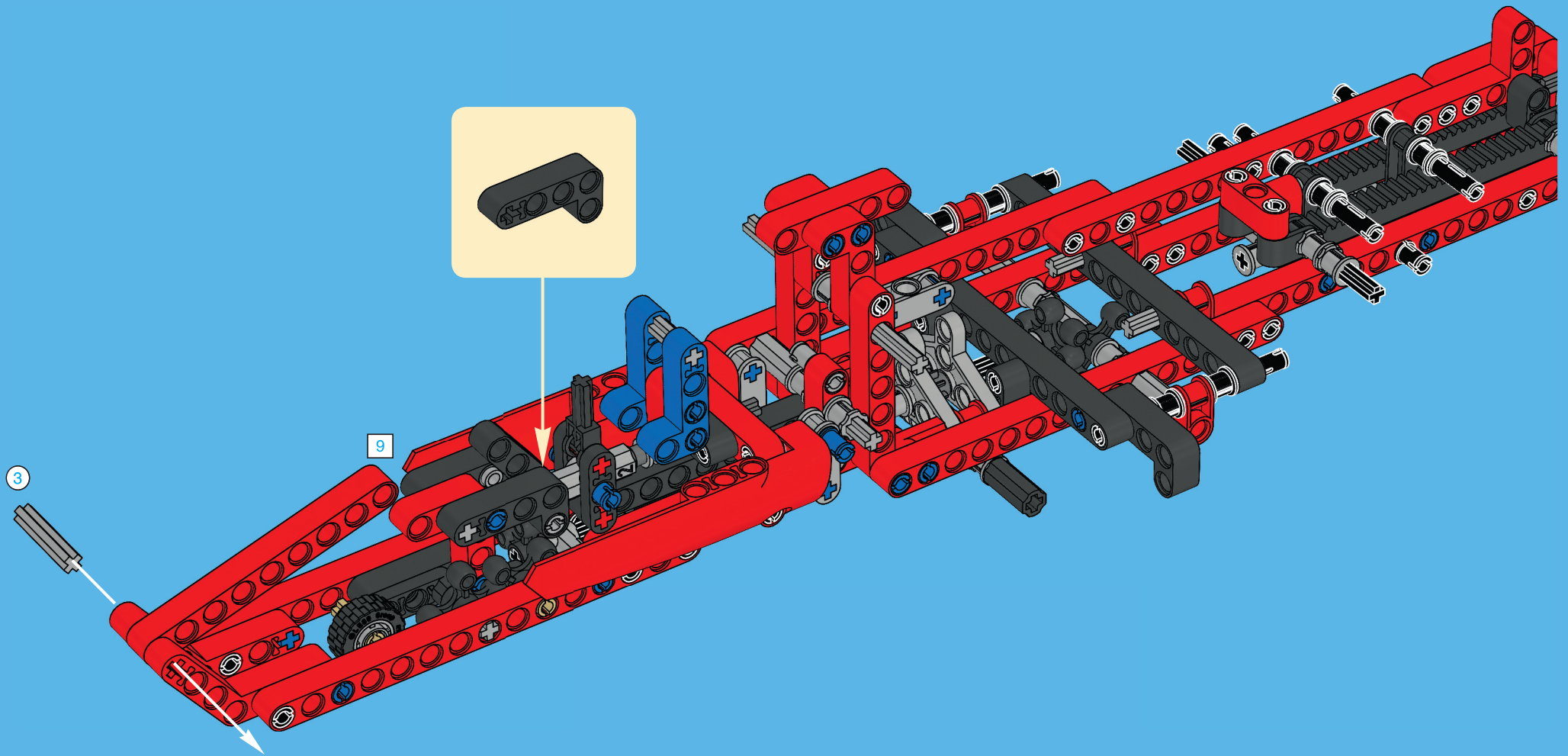


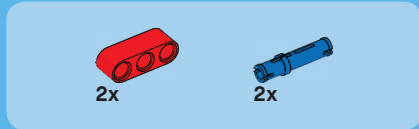
36



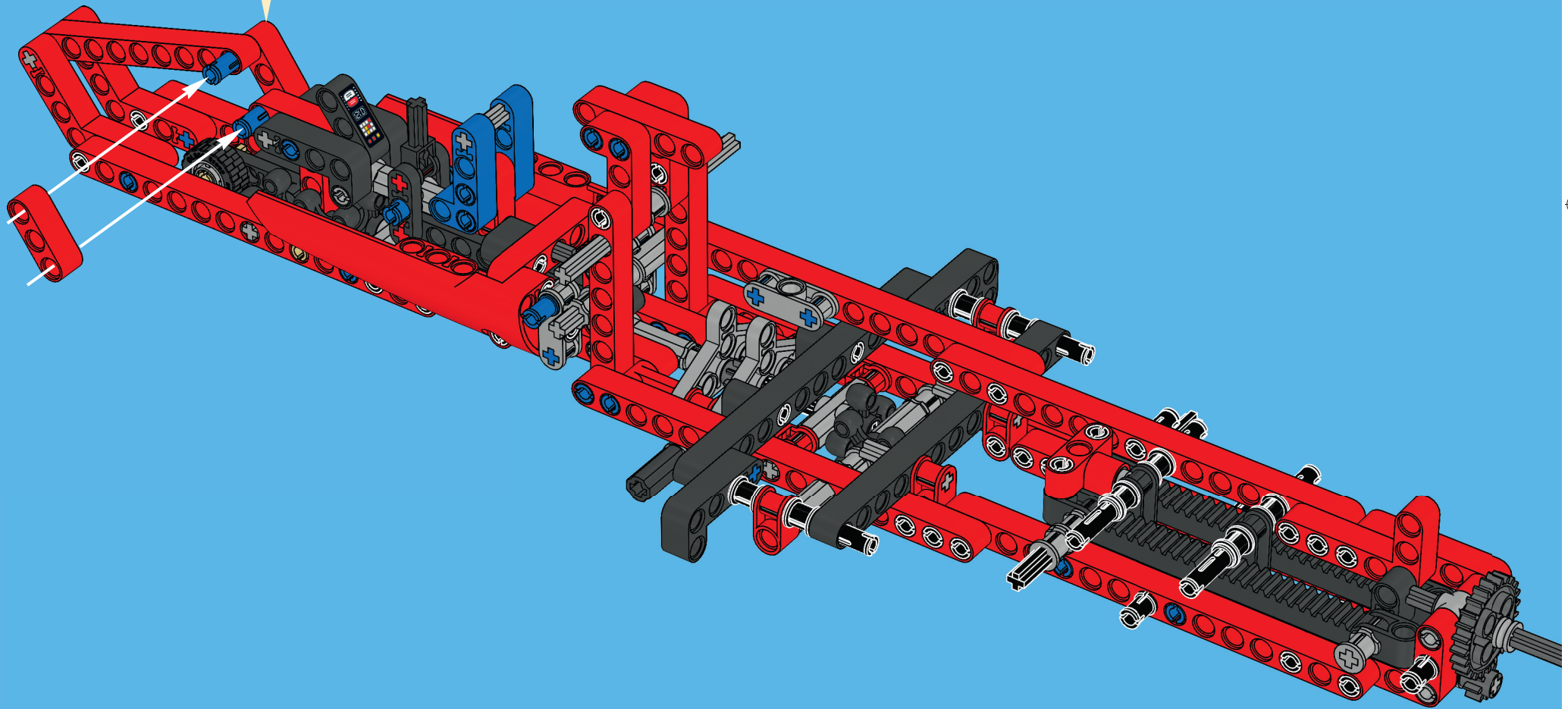
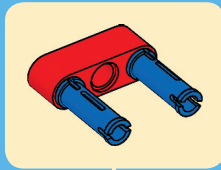


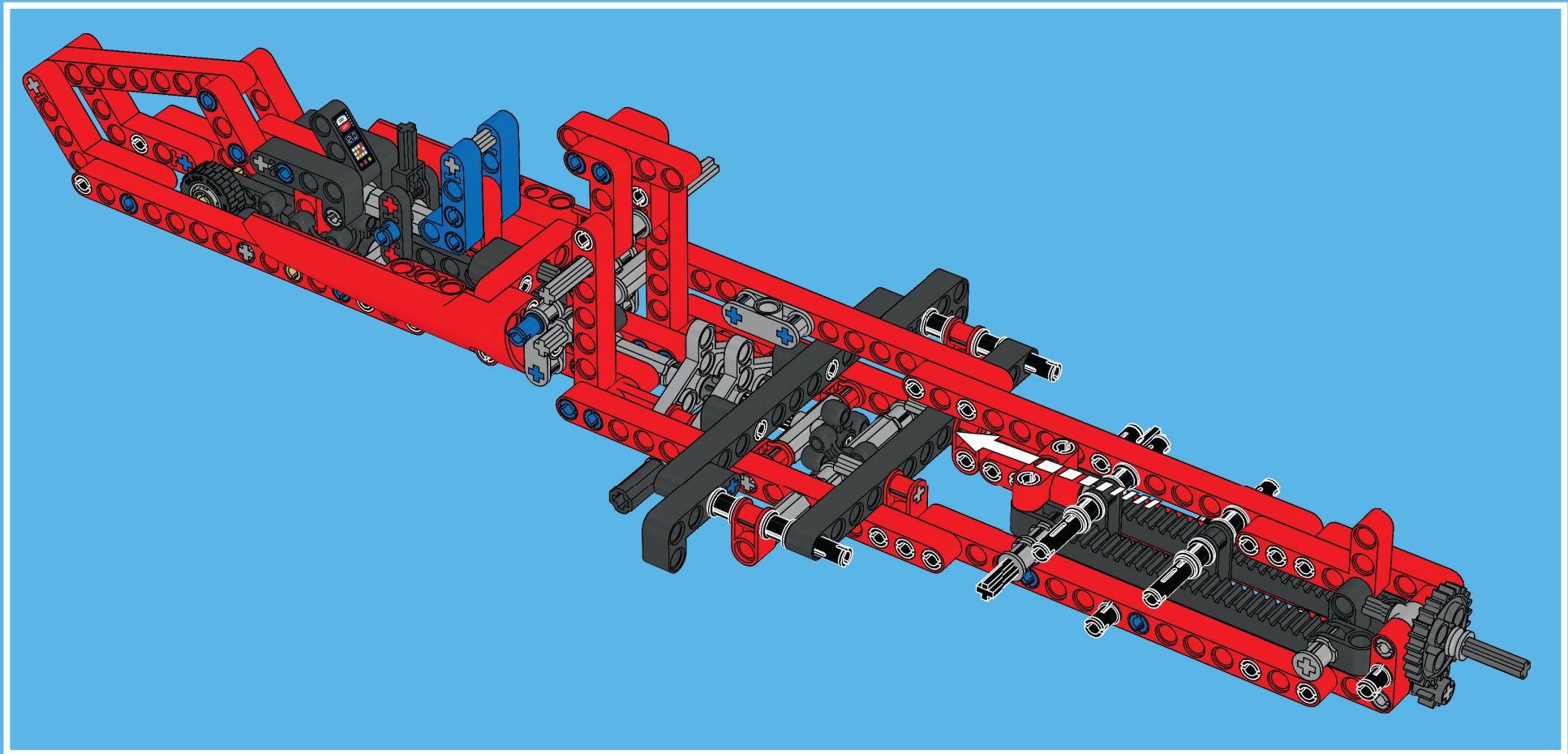
37

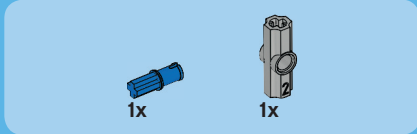




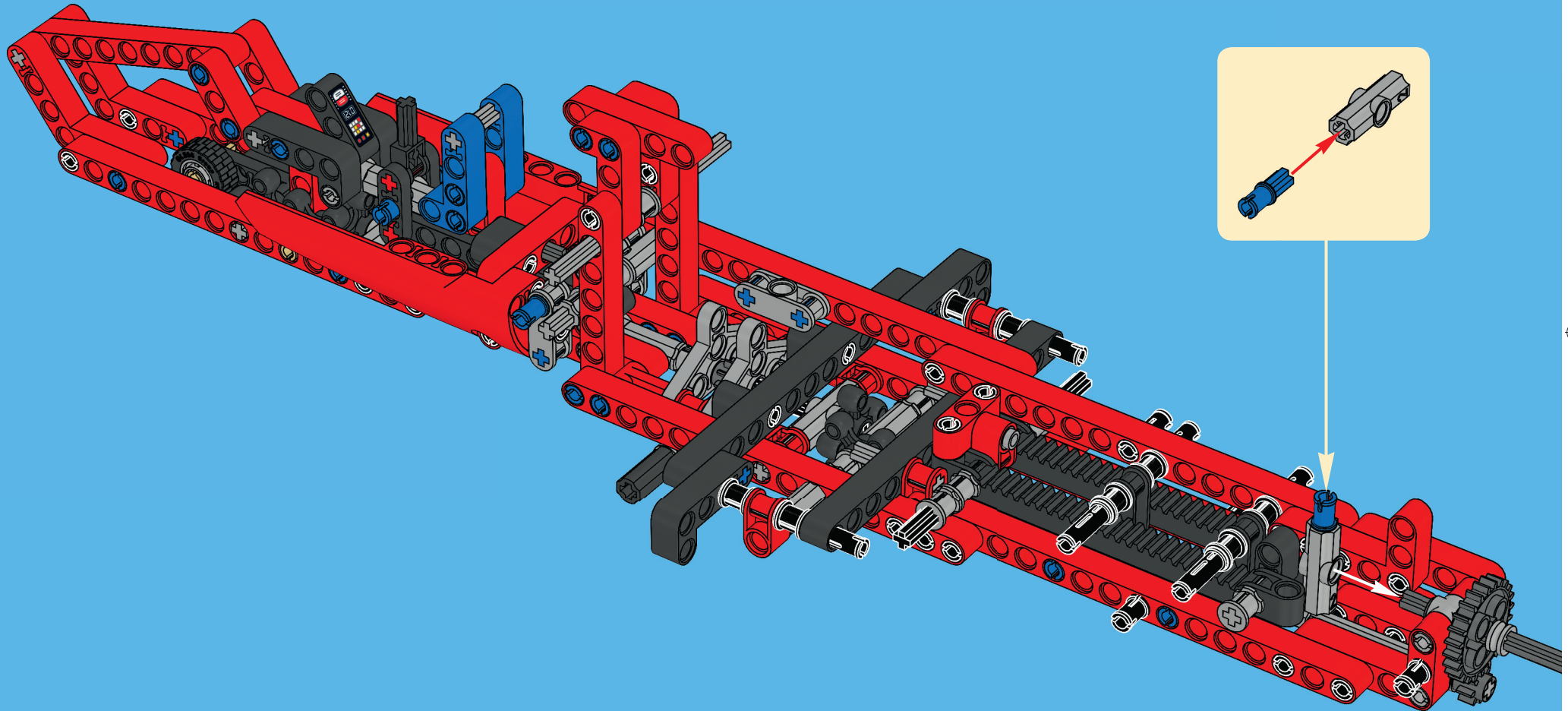
38







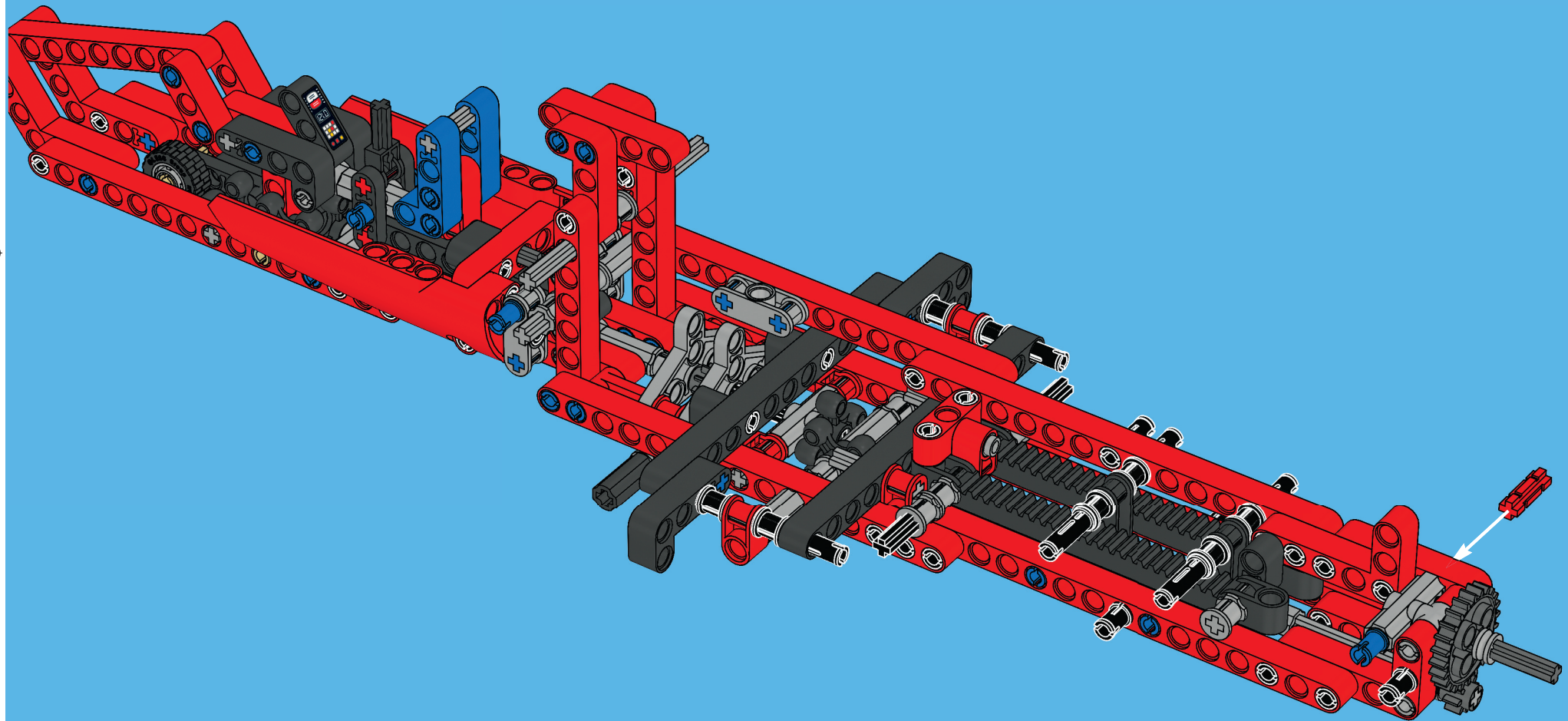
39

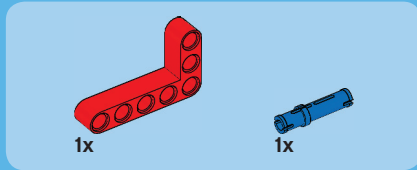




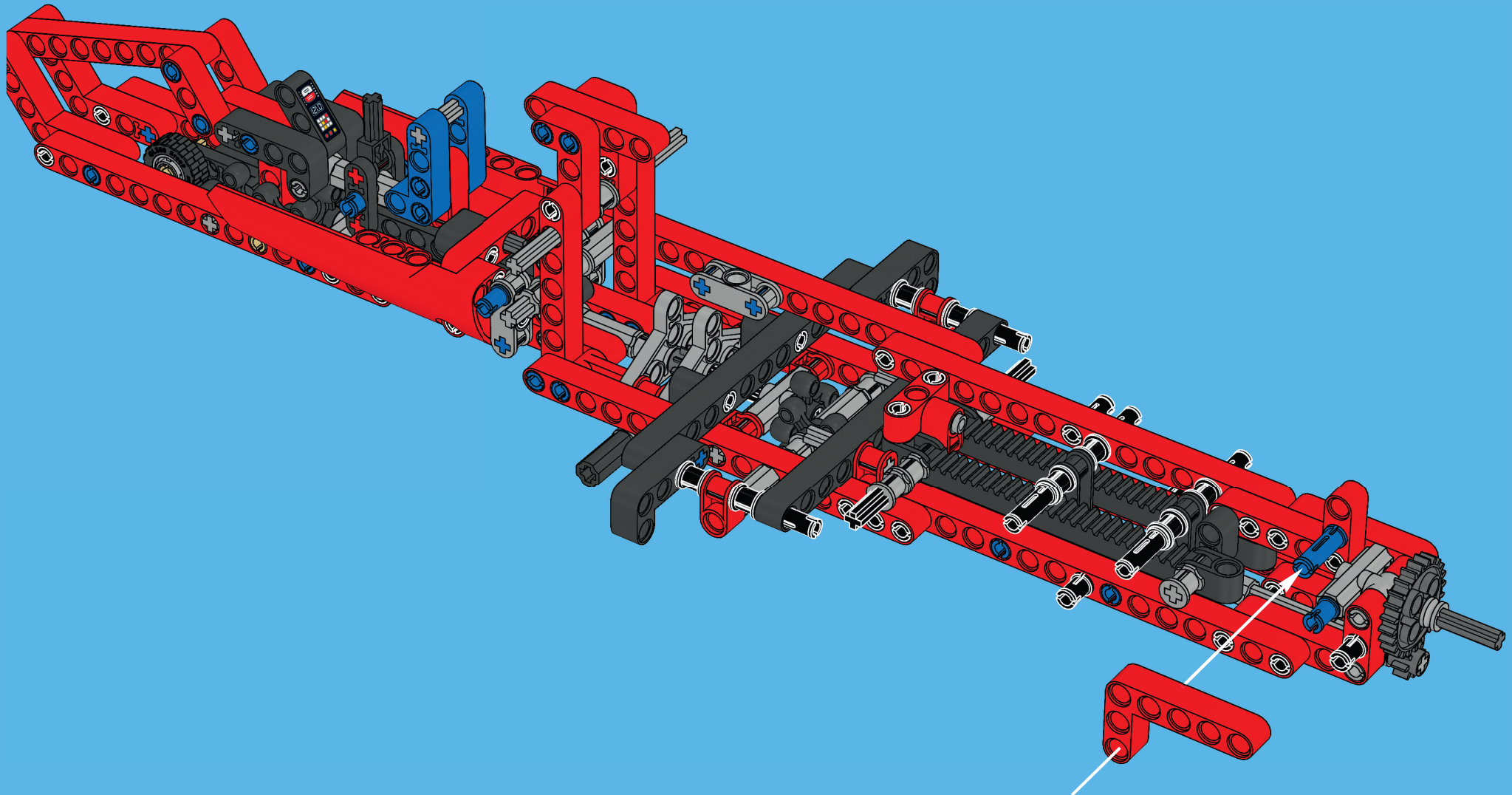
1x

40

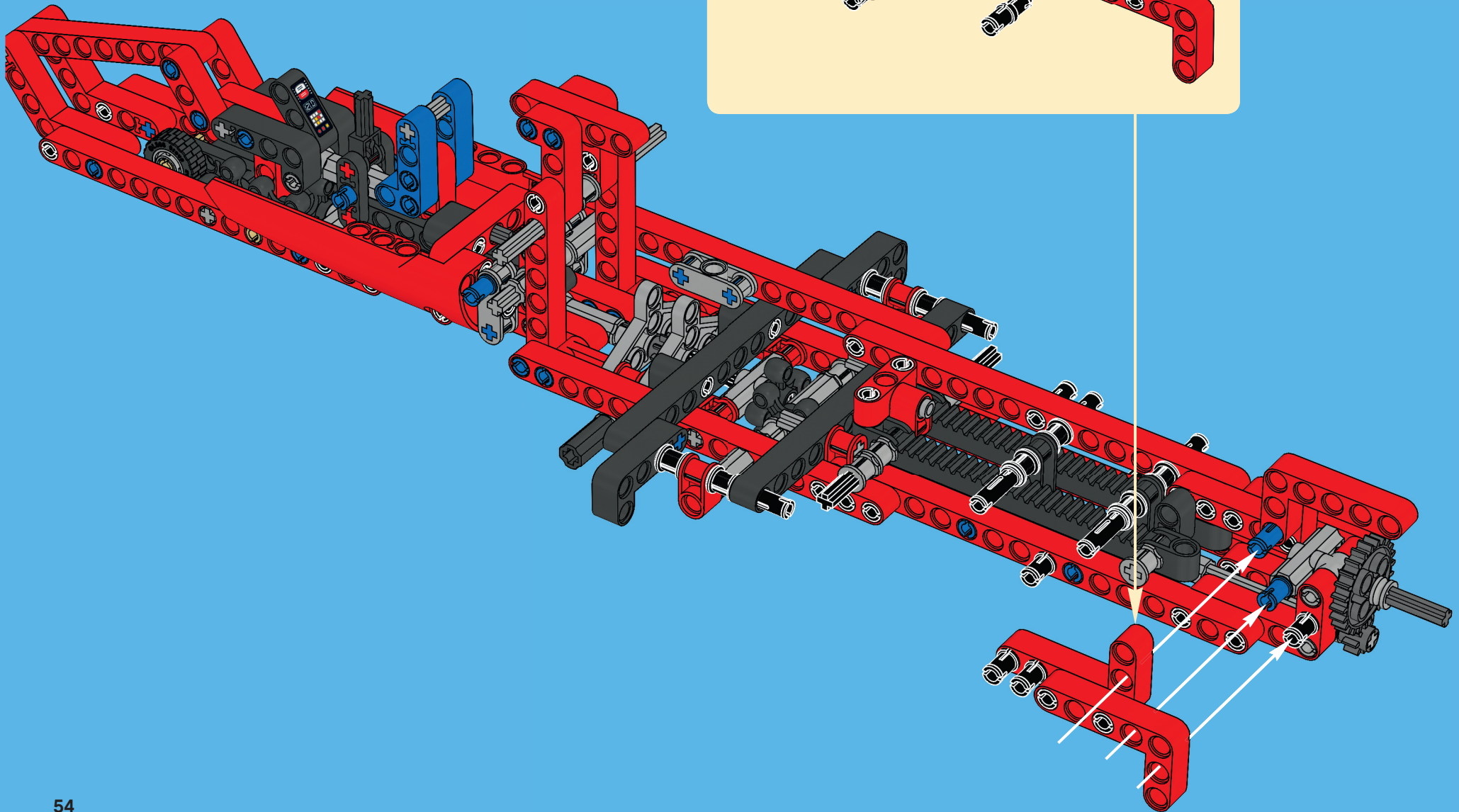
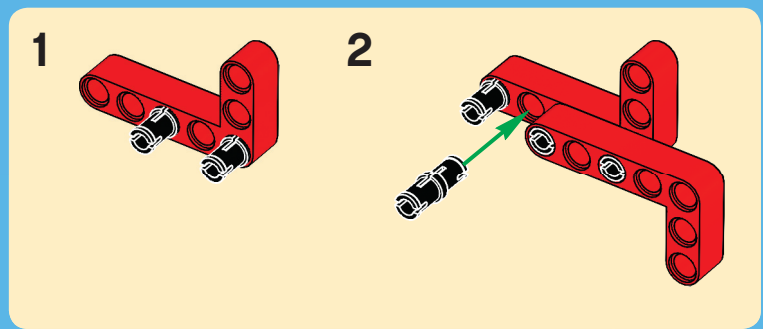
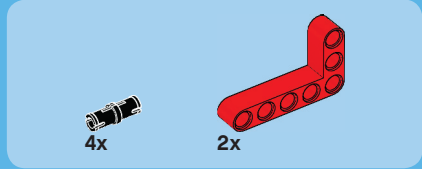


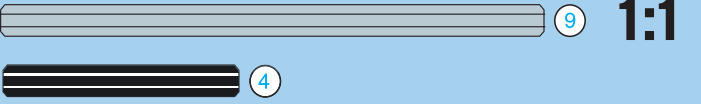
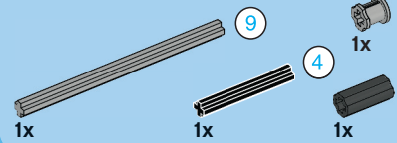


41

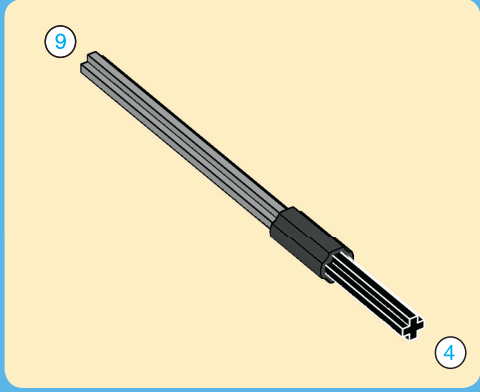
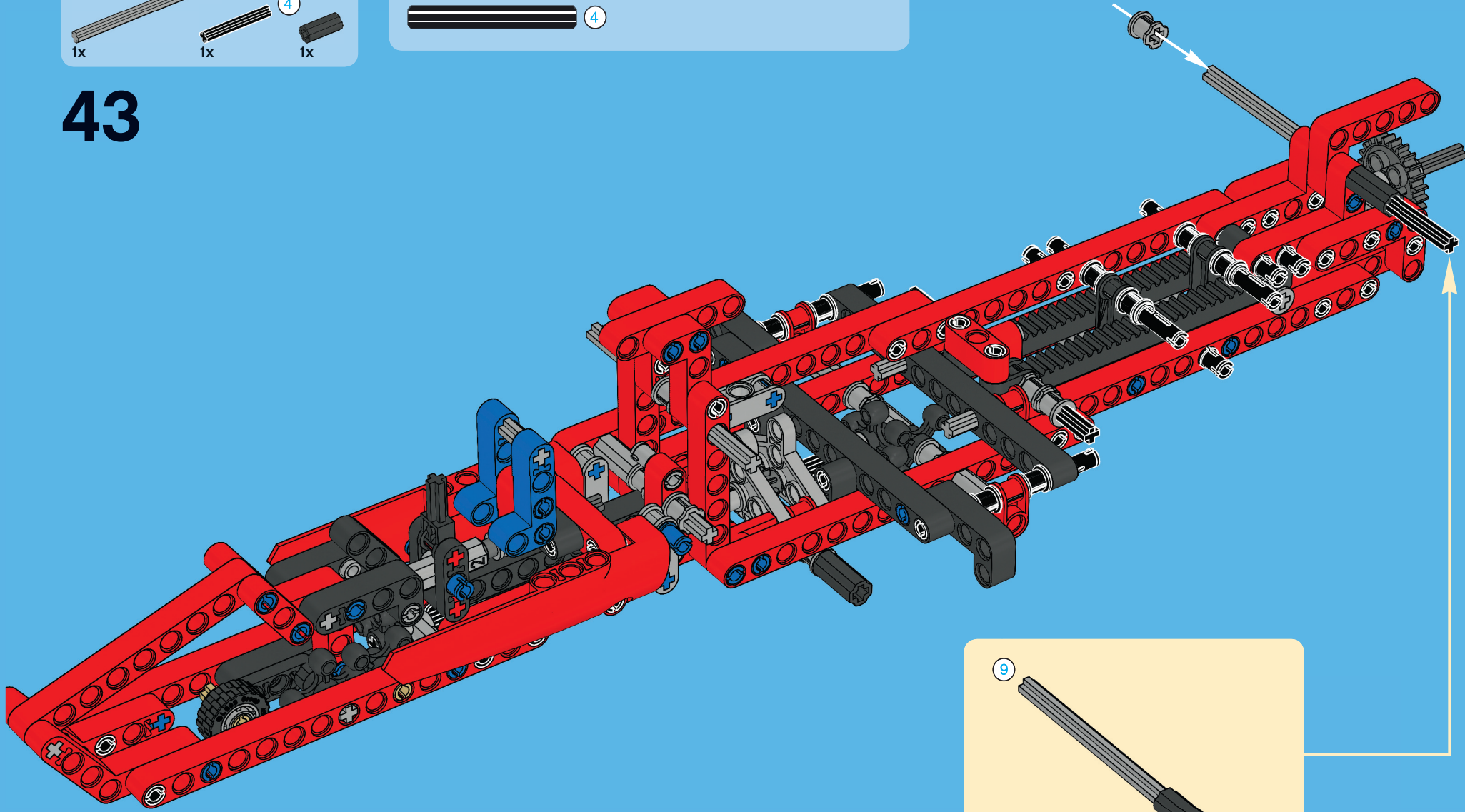


42

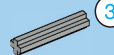





43




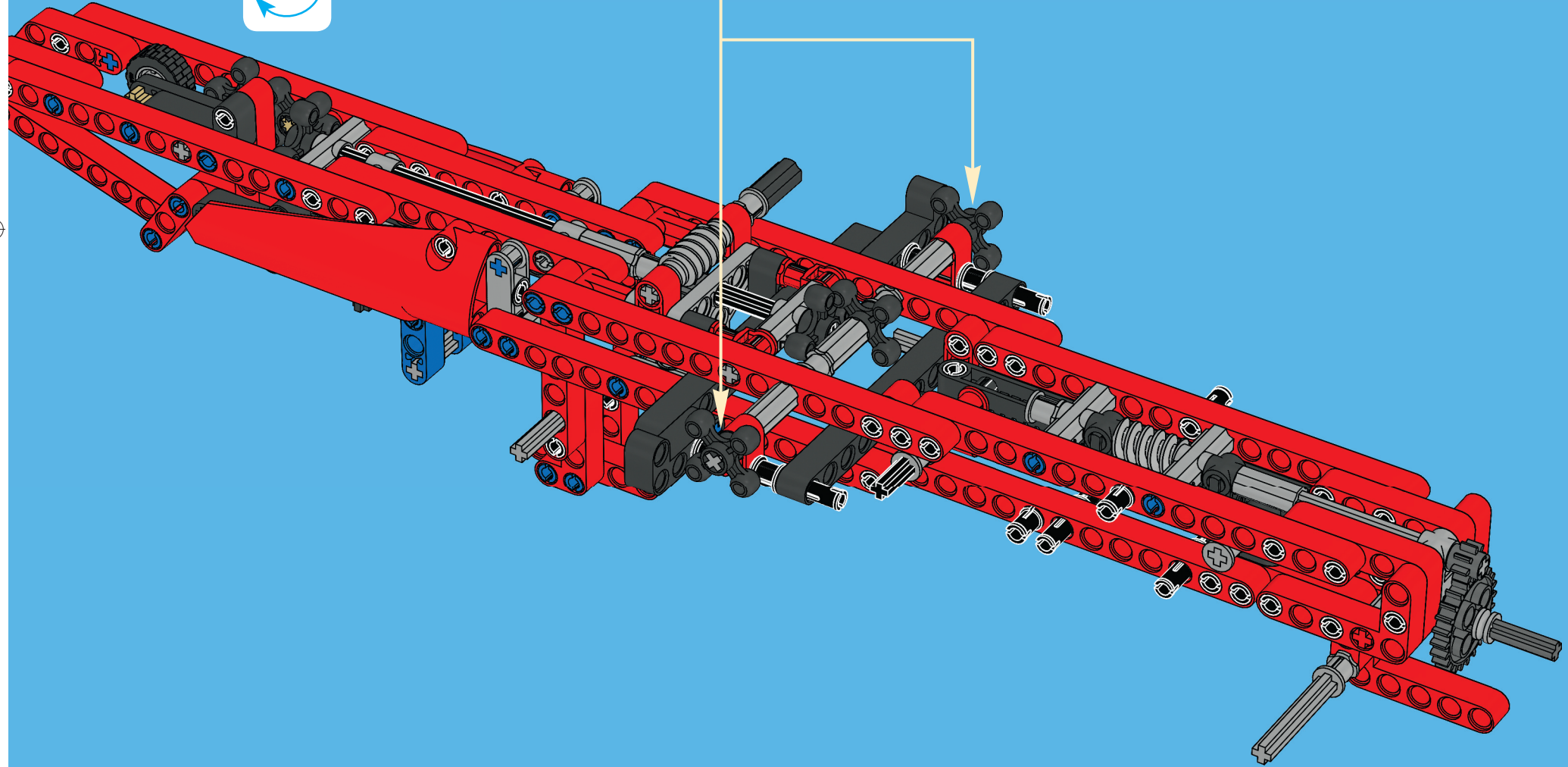


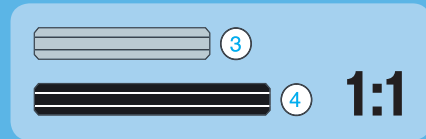
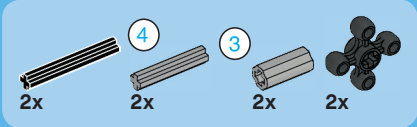
 3
 2x
 2x

 3
 1:1

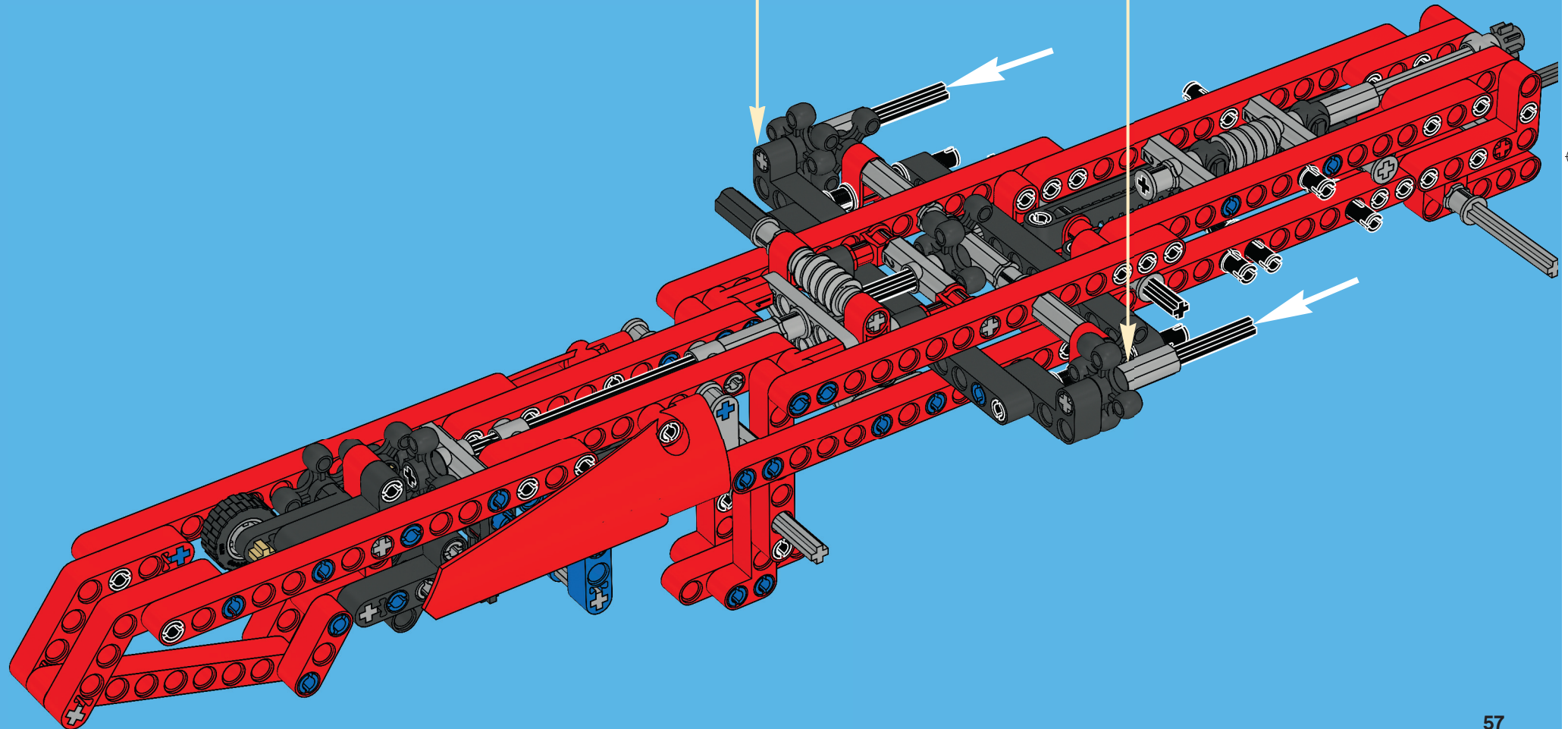
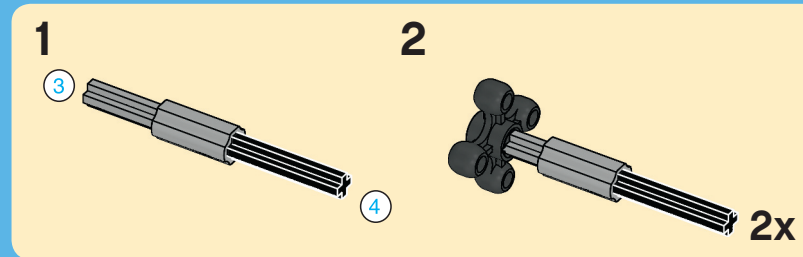
44

 3
 2x



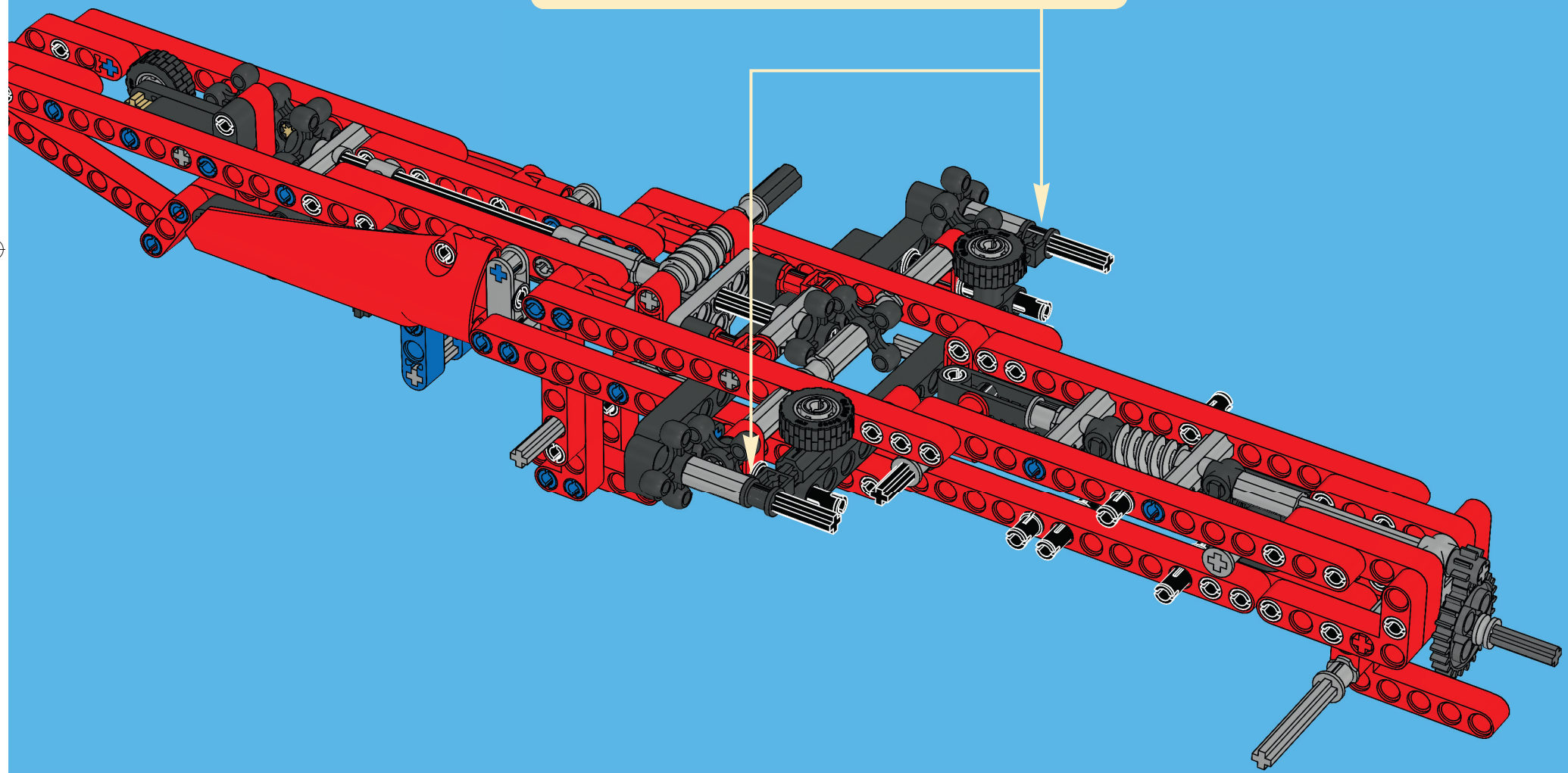
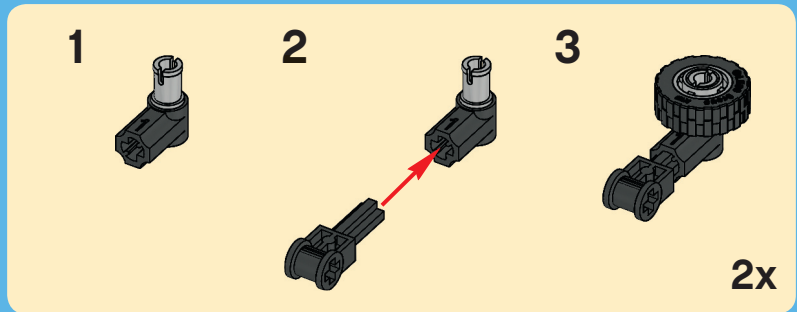


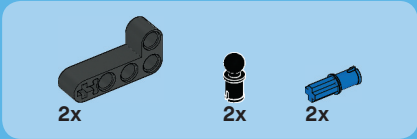
45



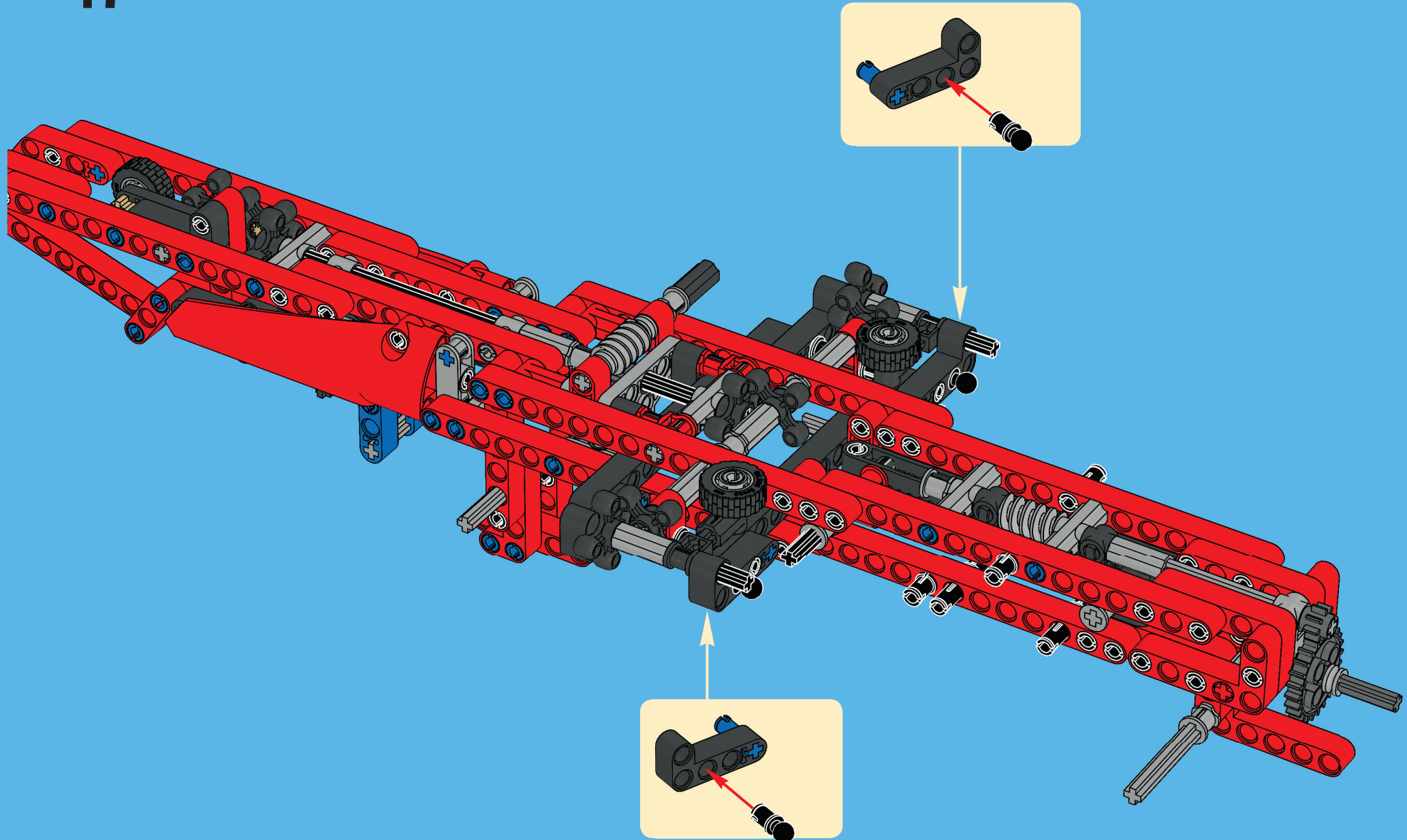


46





47



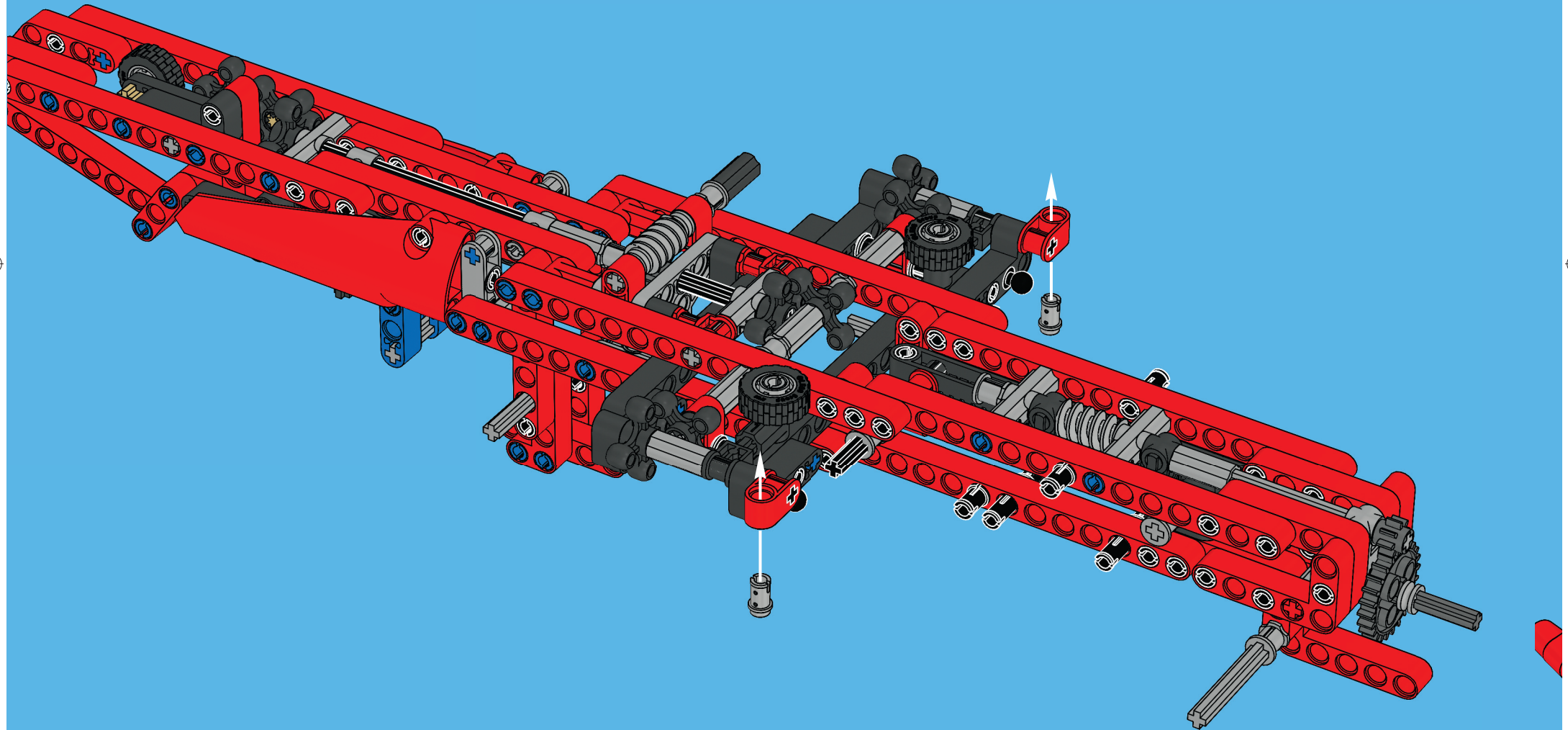


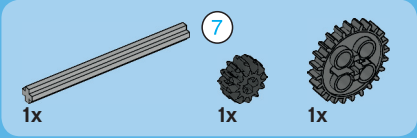
2x



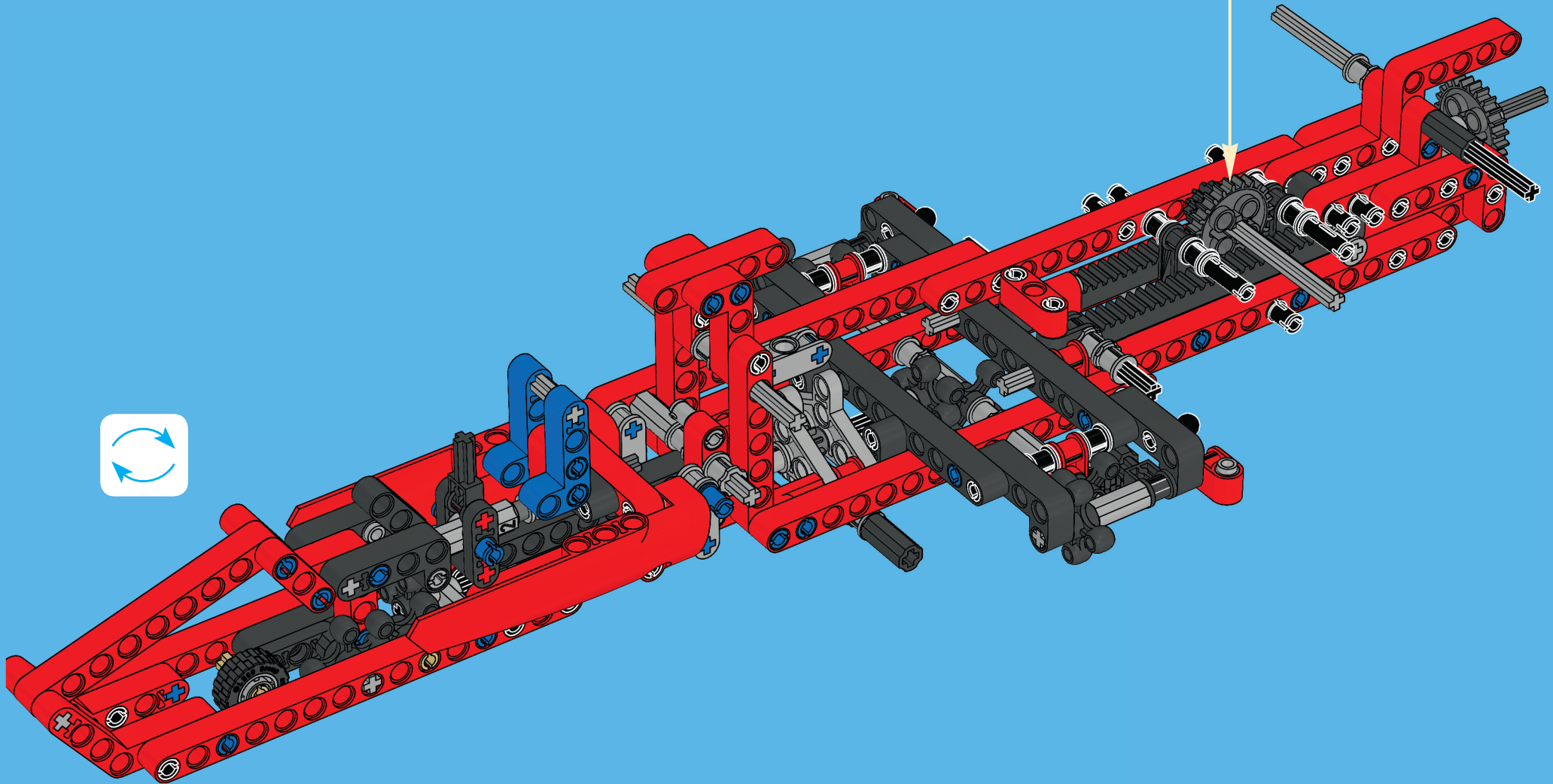
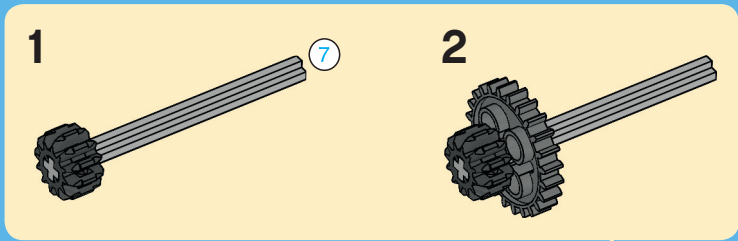
2x

48

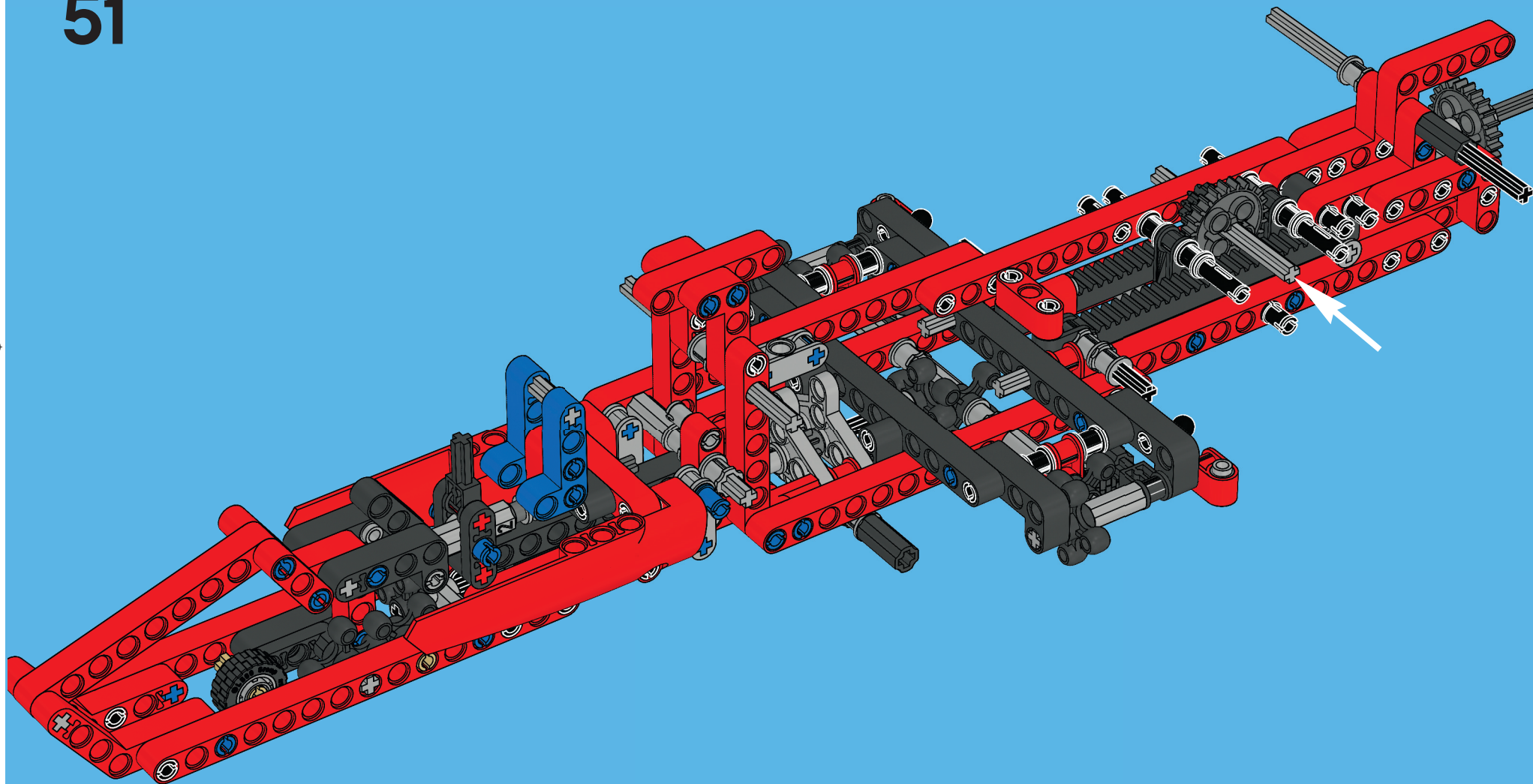




49



51

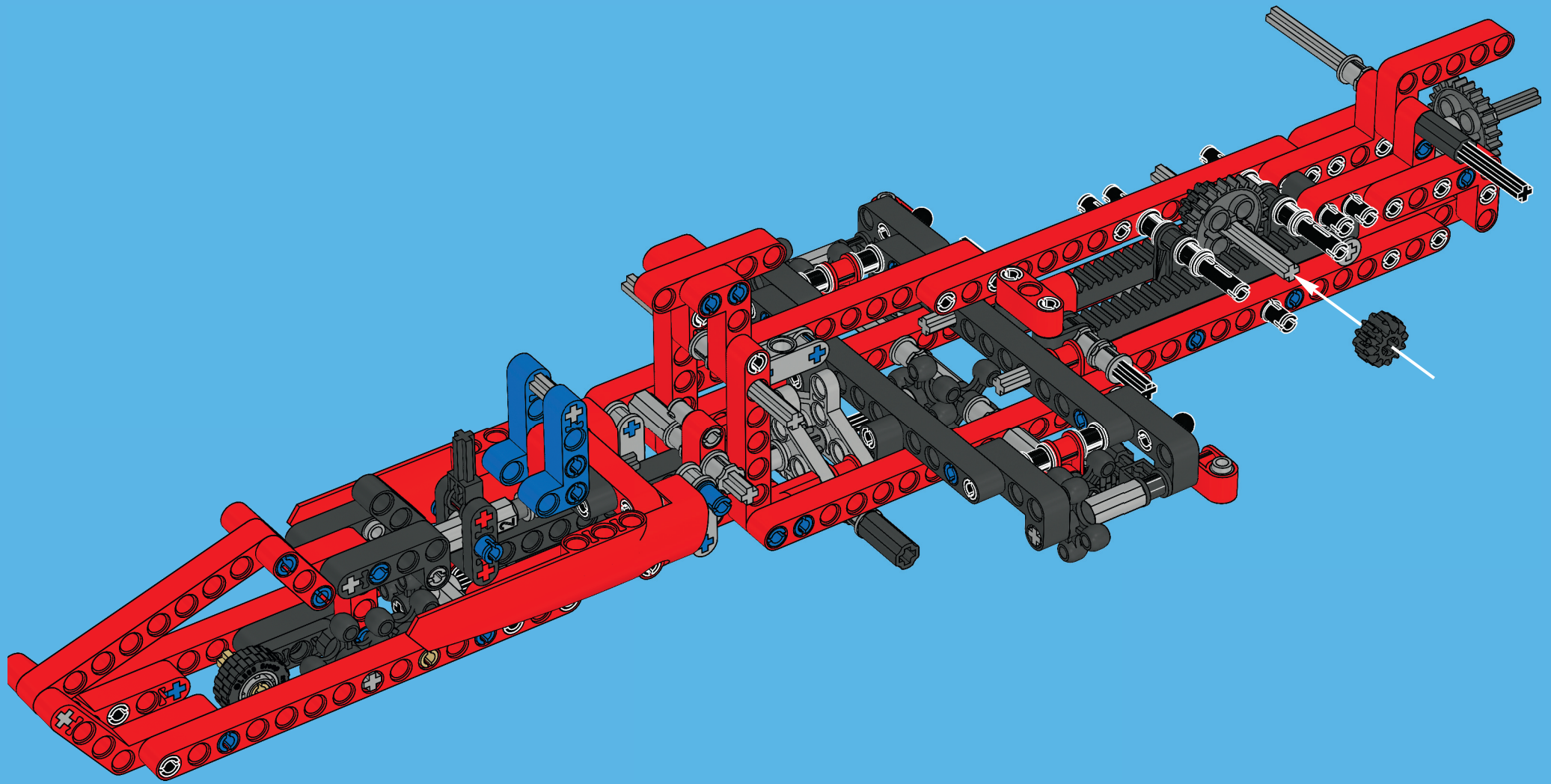


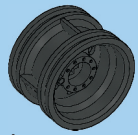
62



1x

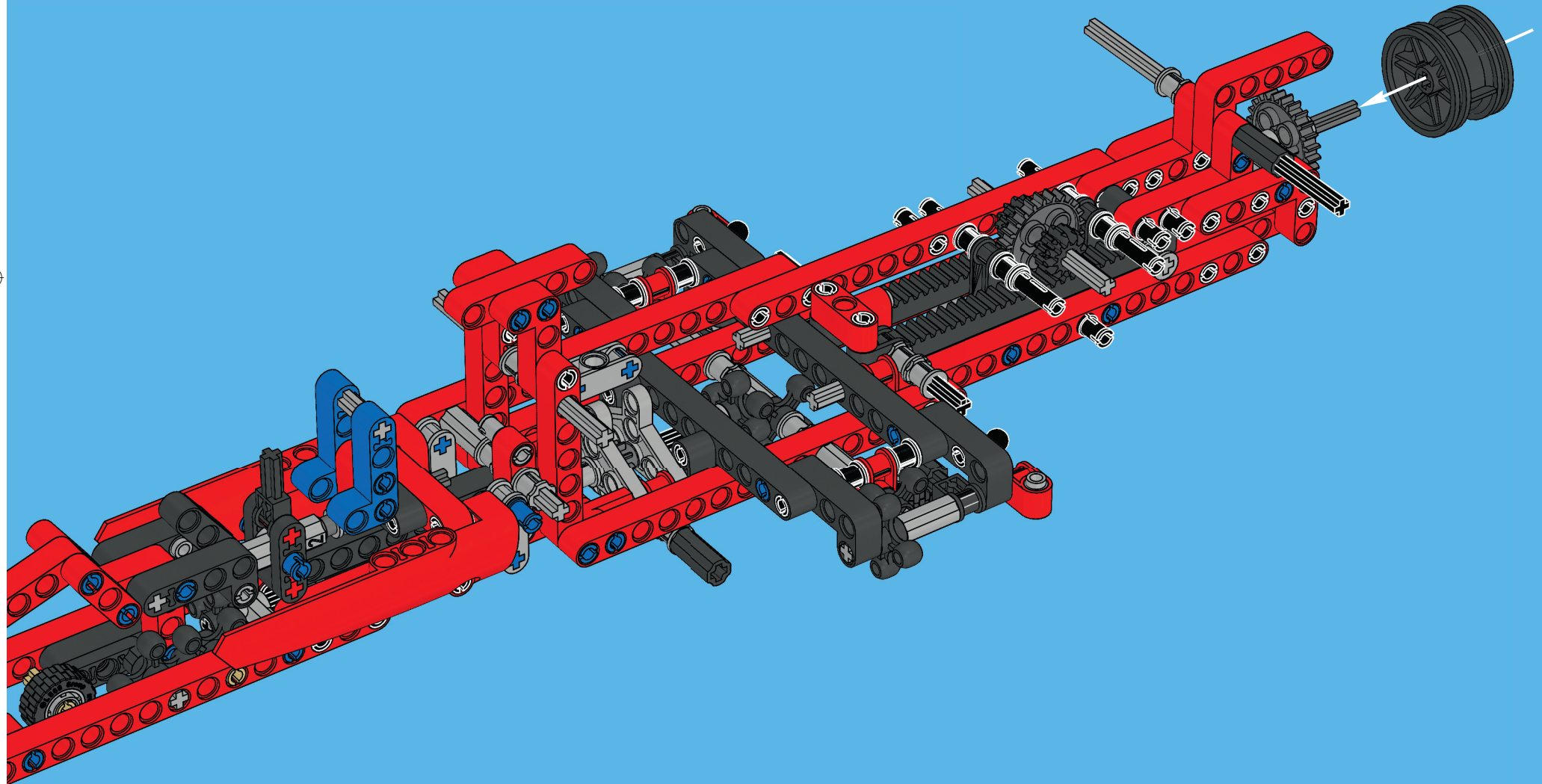
52





1x

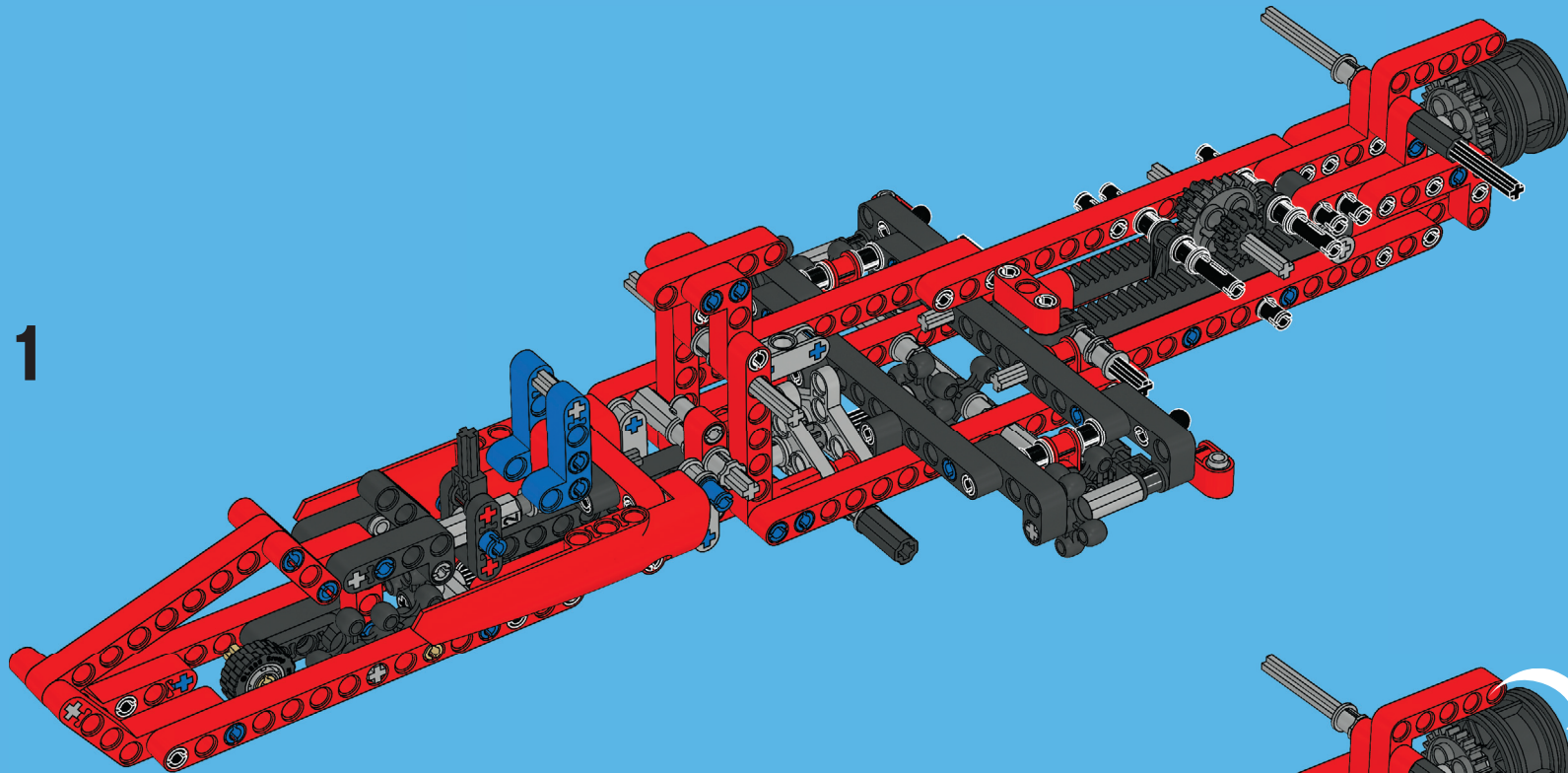
53



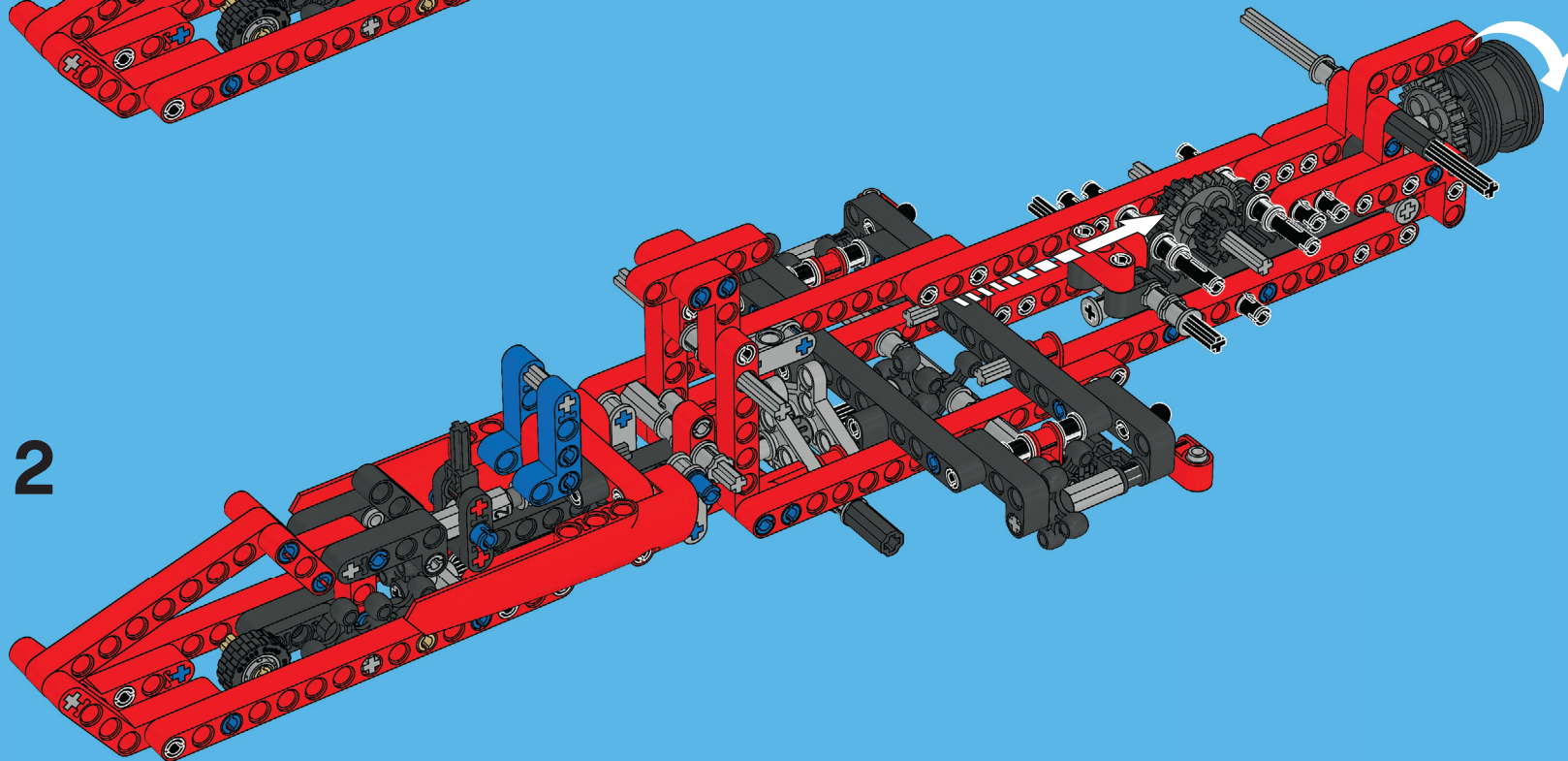
64

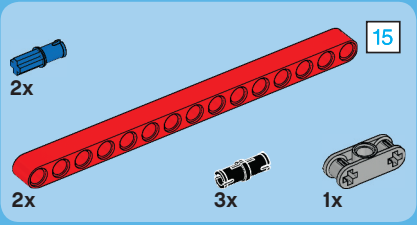


1

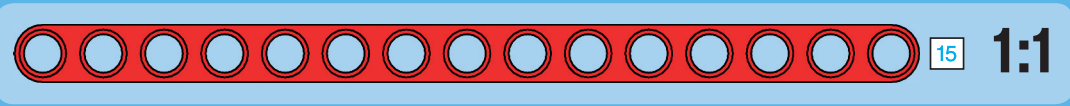


2

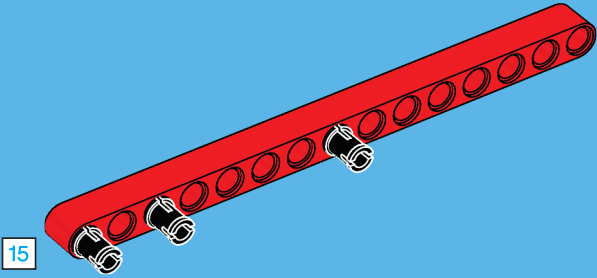




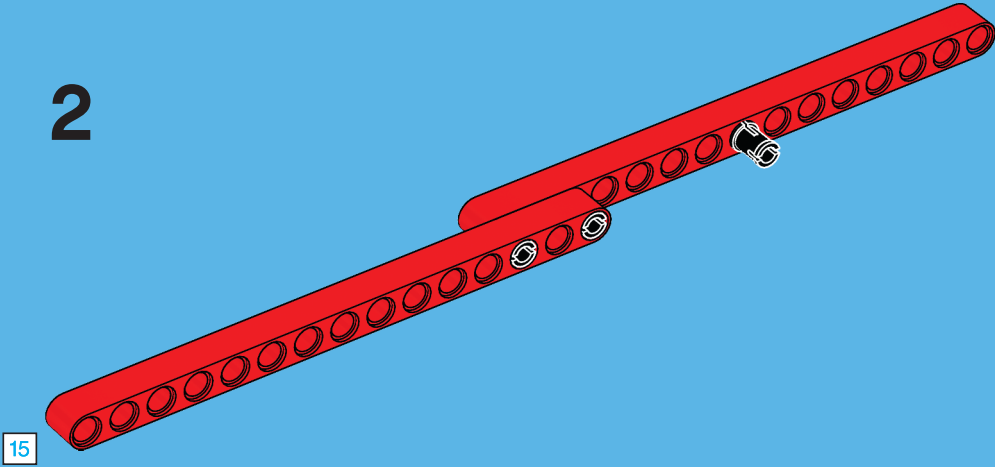
54



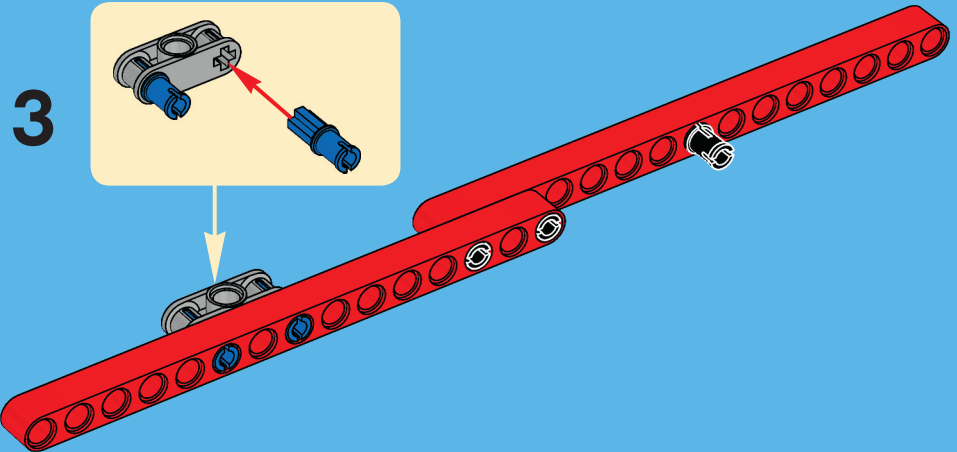
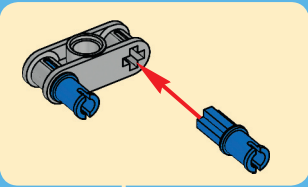
1

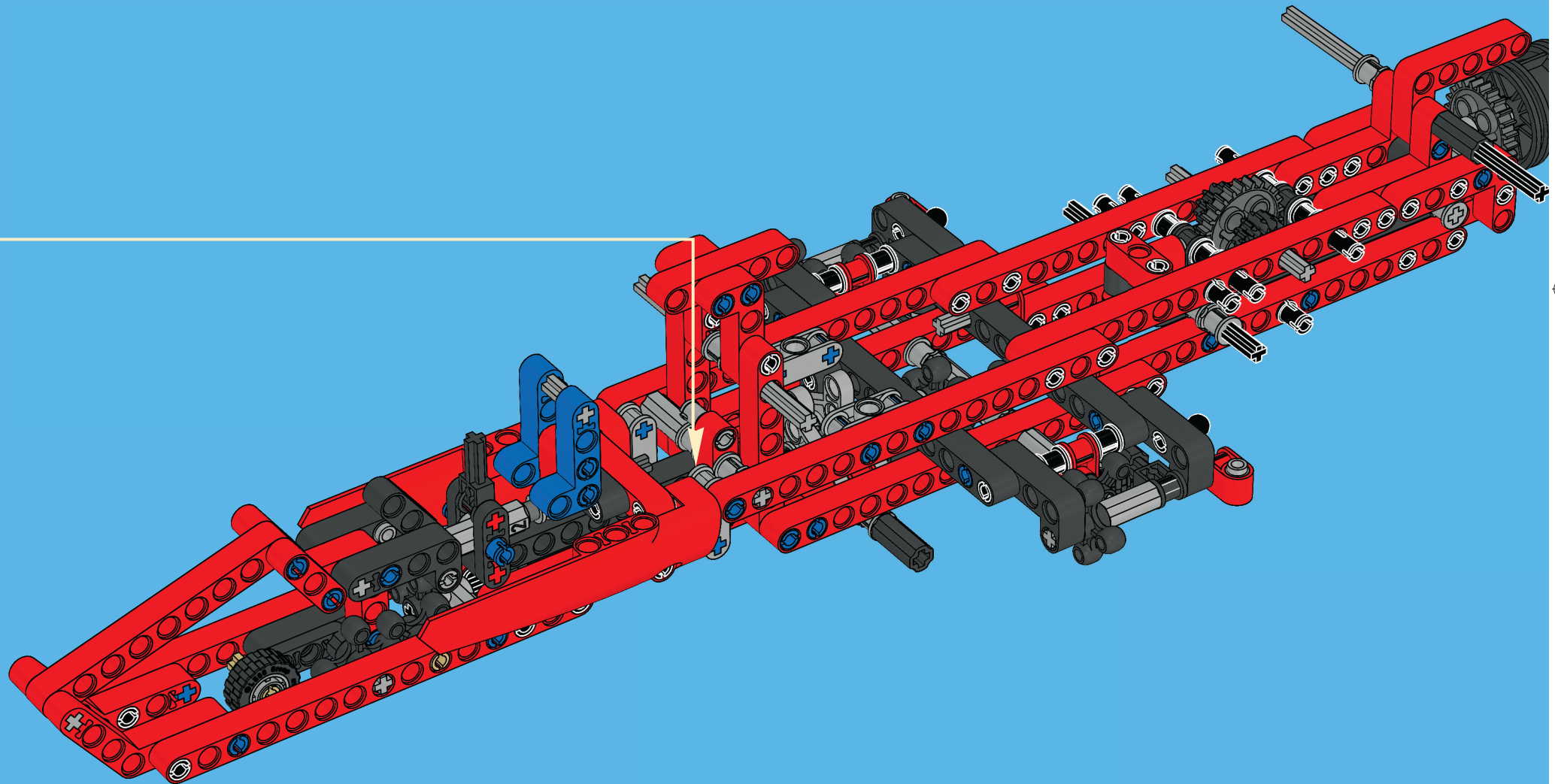


2



3

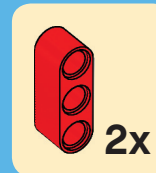




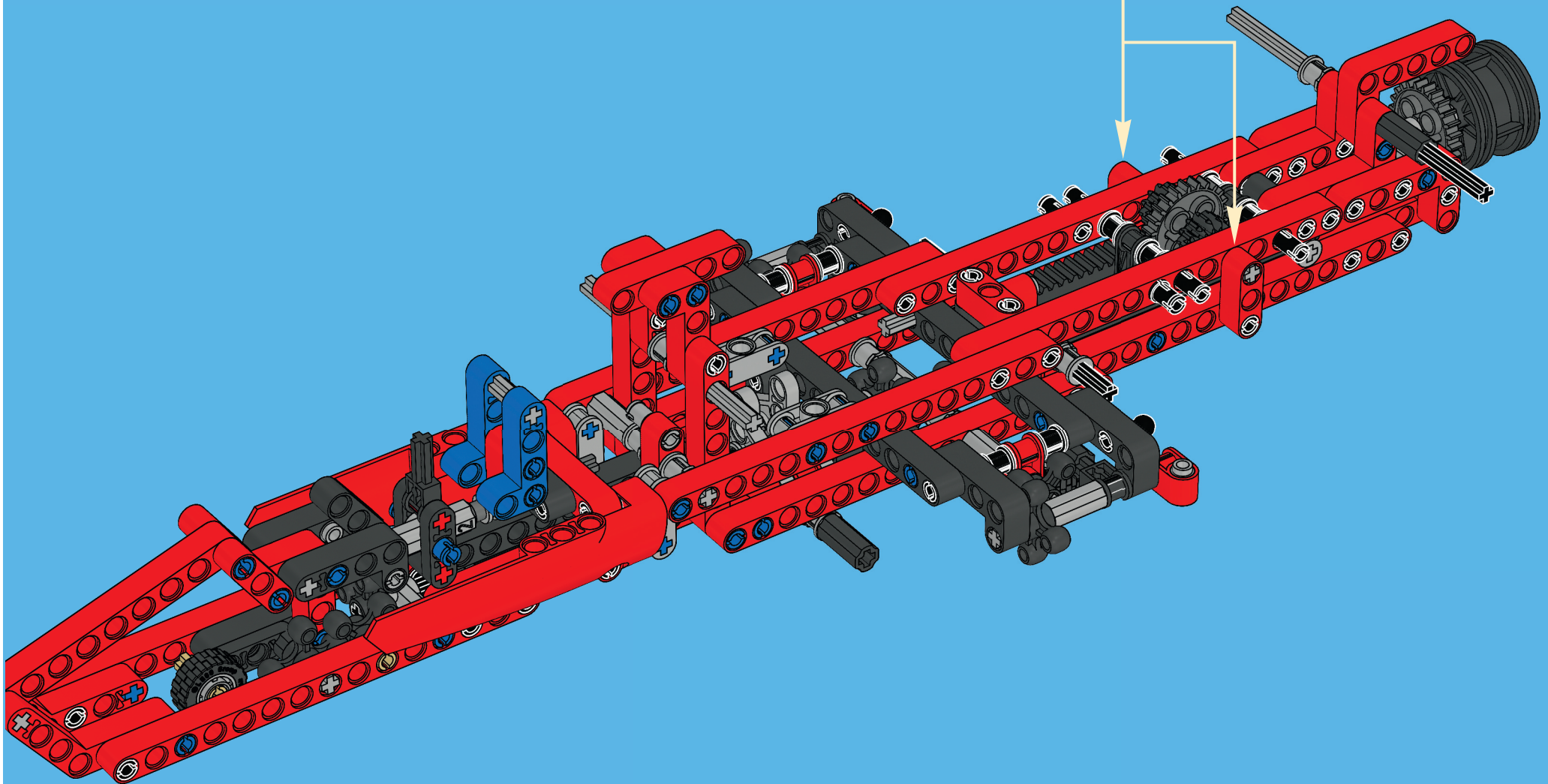


2x

55



2x

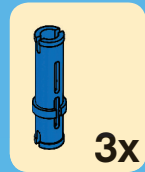


68

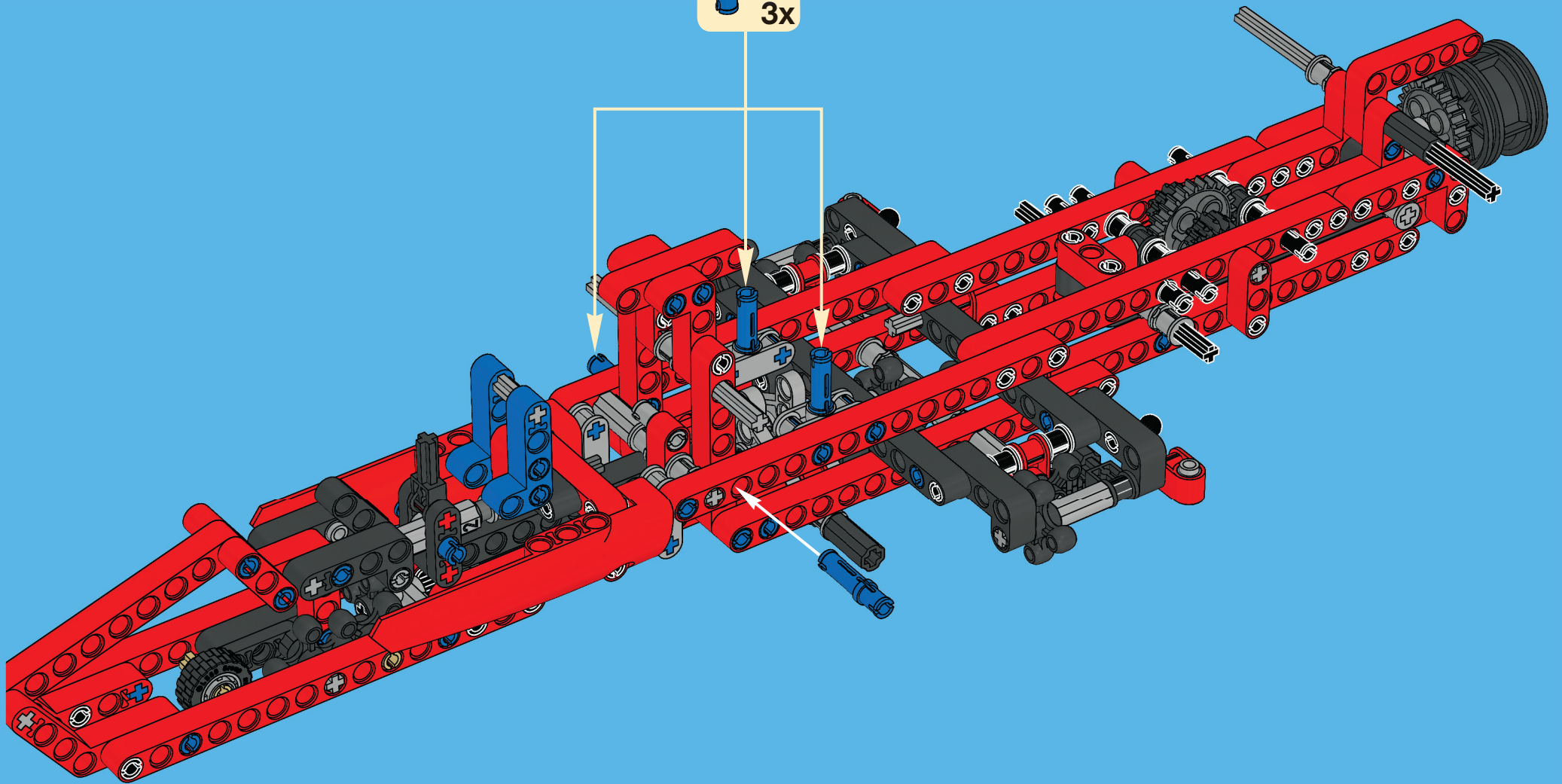


4x

56



3x





2x

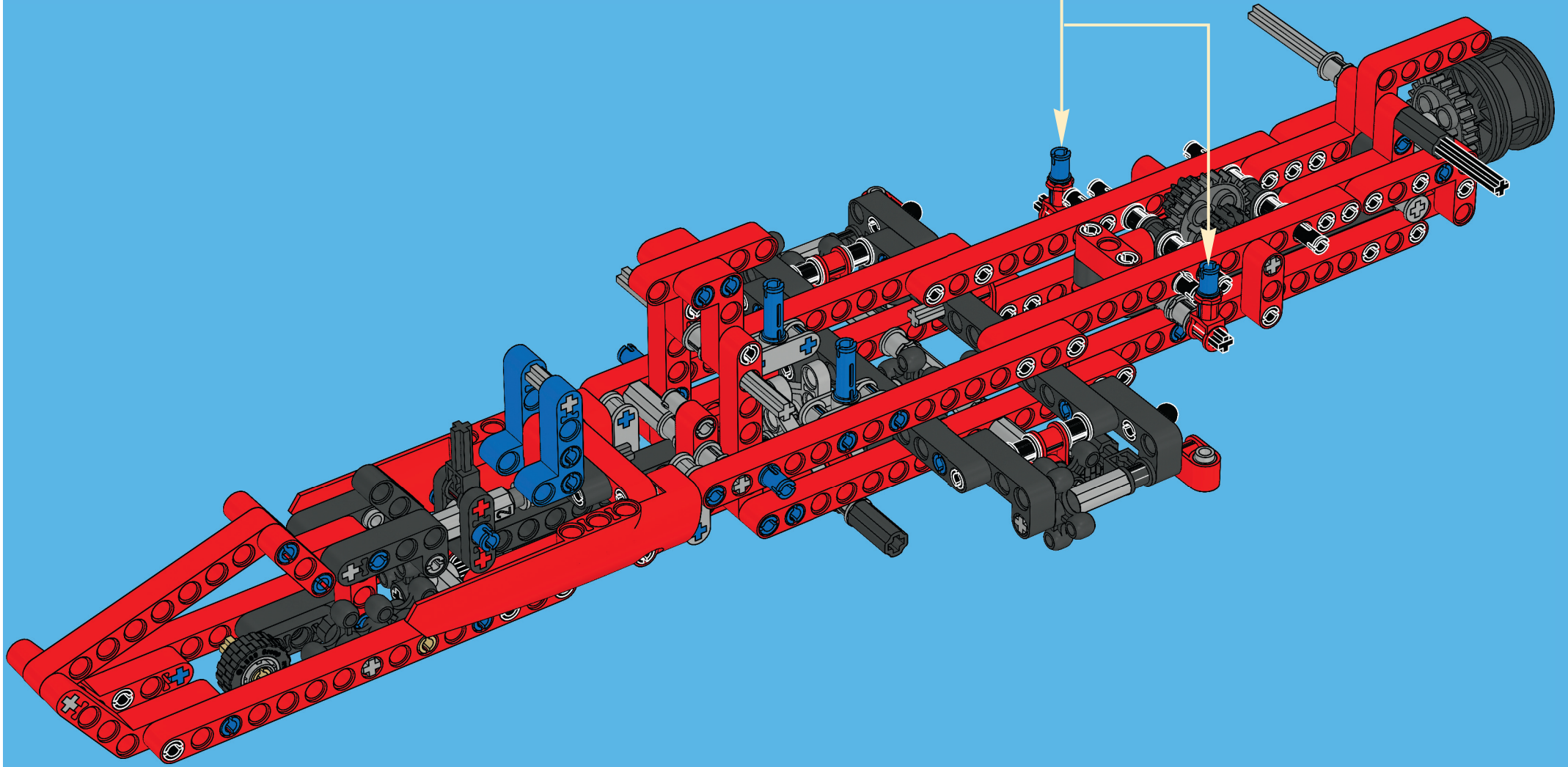


2x

57



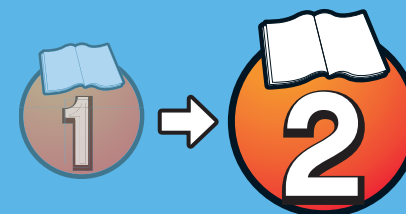
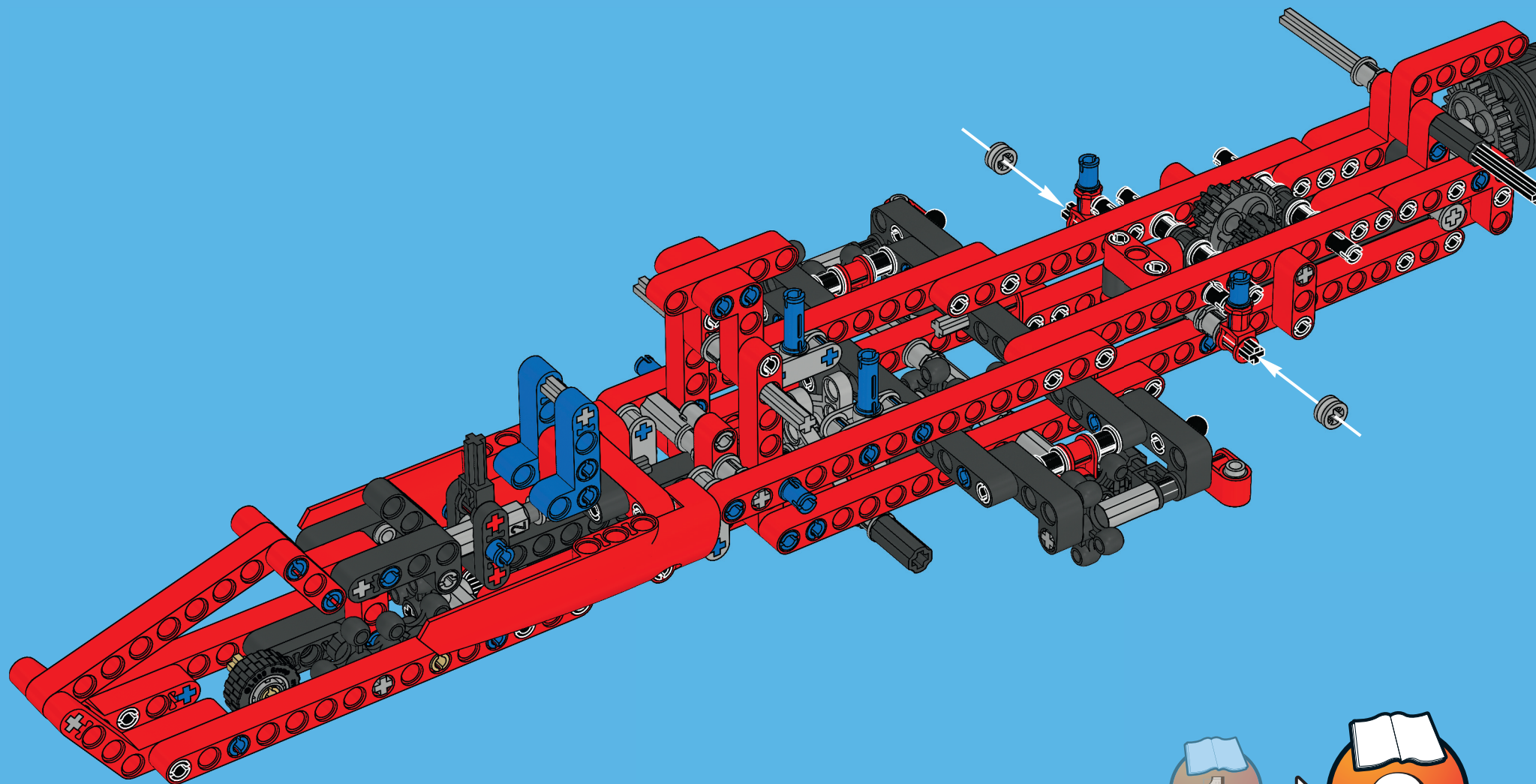
2x





2x

58



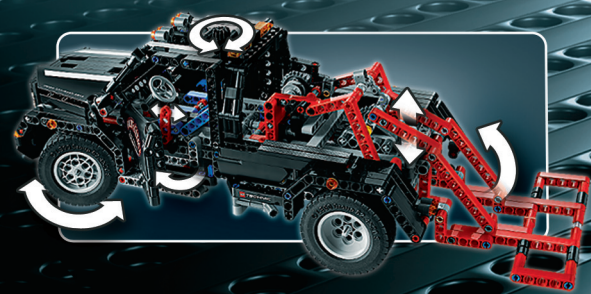


TECHNIC



9394

9395



www.LEGO.com

LEGO and the LEGO logo are trademarks of the/son des marques de commerce de/son marcas registradas de LEGO Group. ©2012 The LEGO Group. 6004006