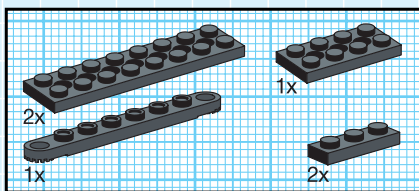
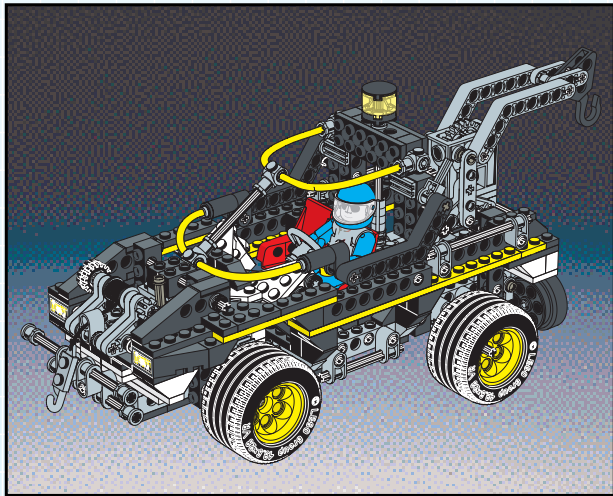
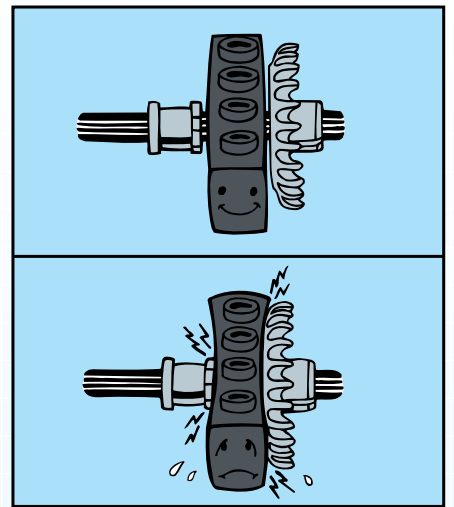
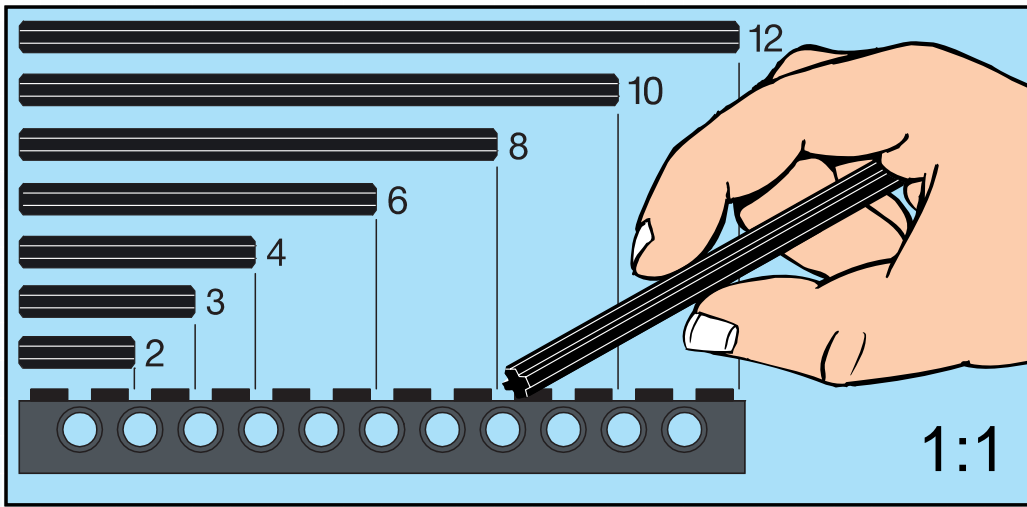




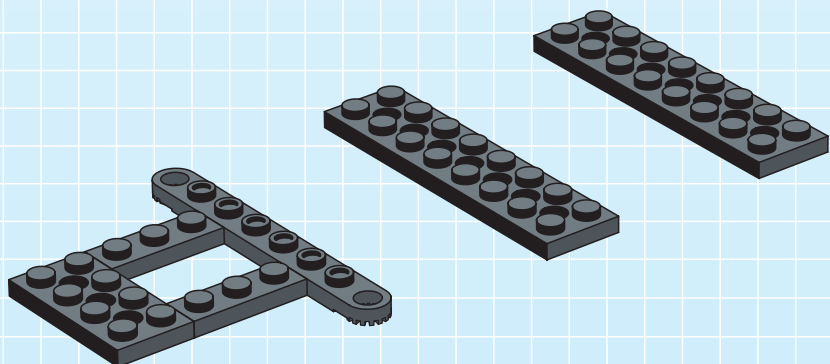
Technic

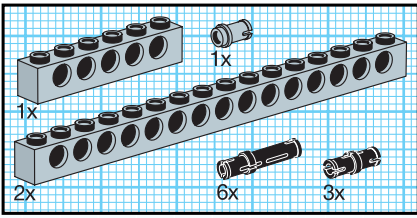


8286

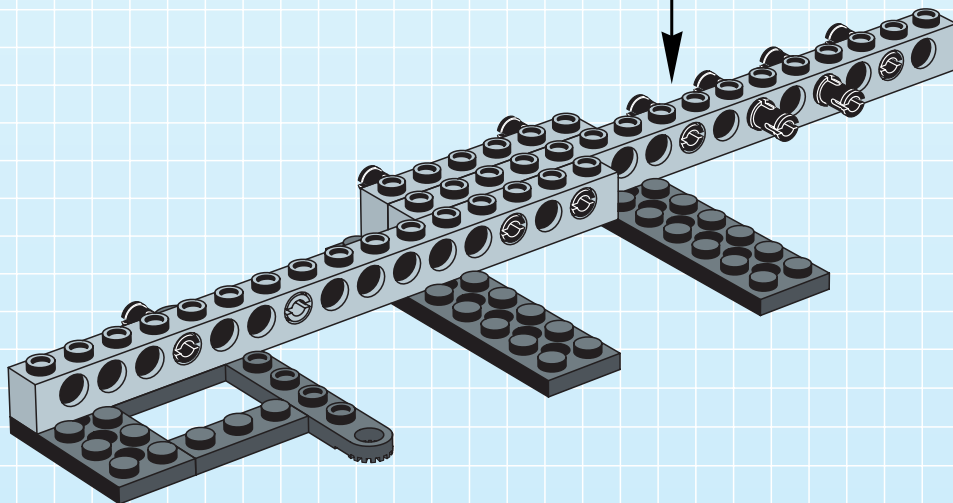
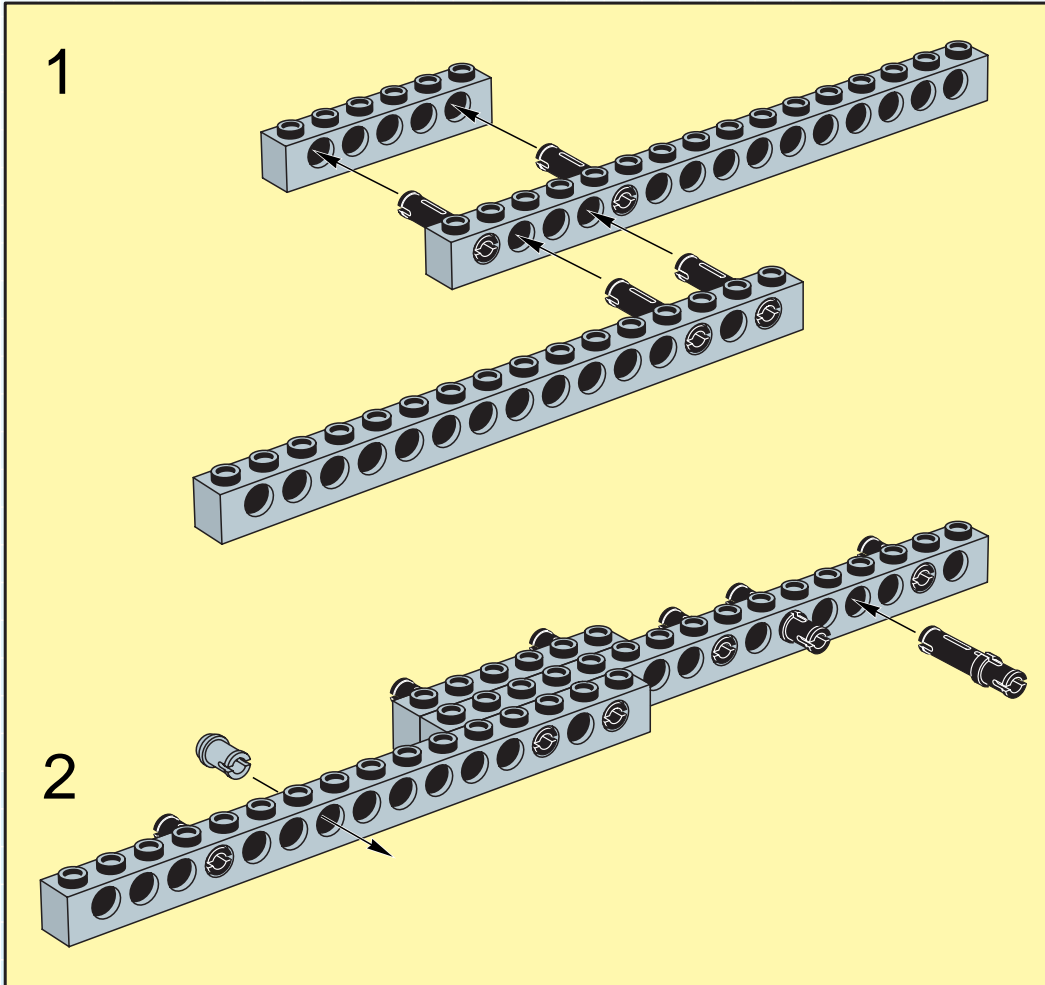


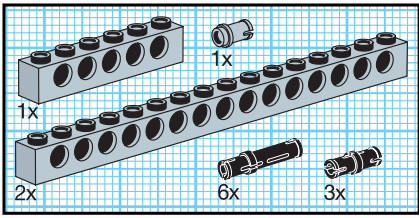
1



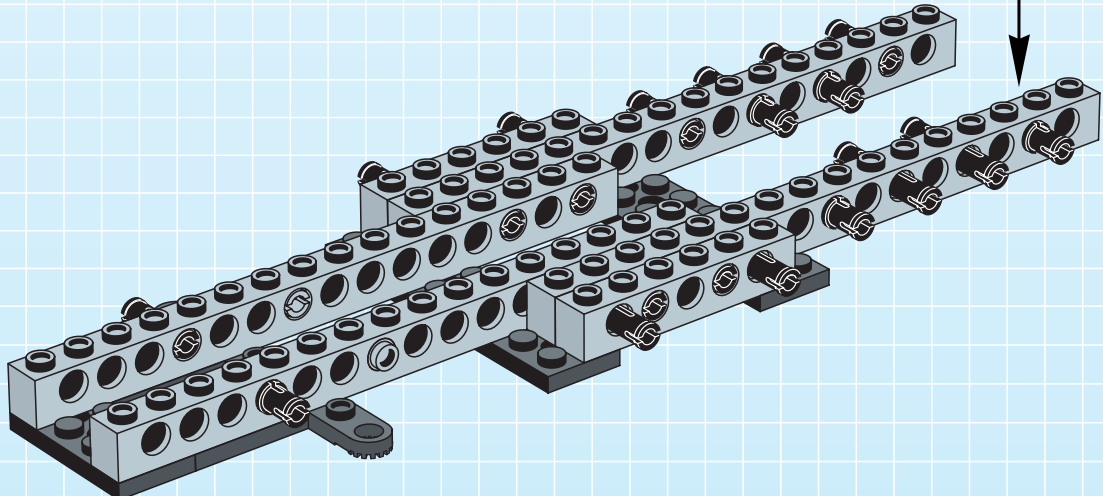
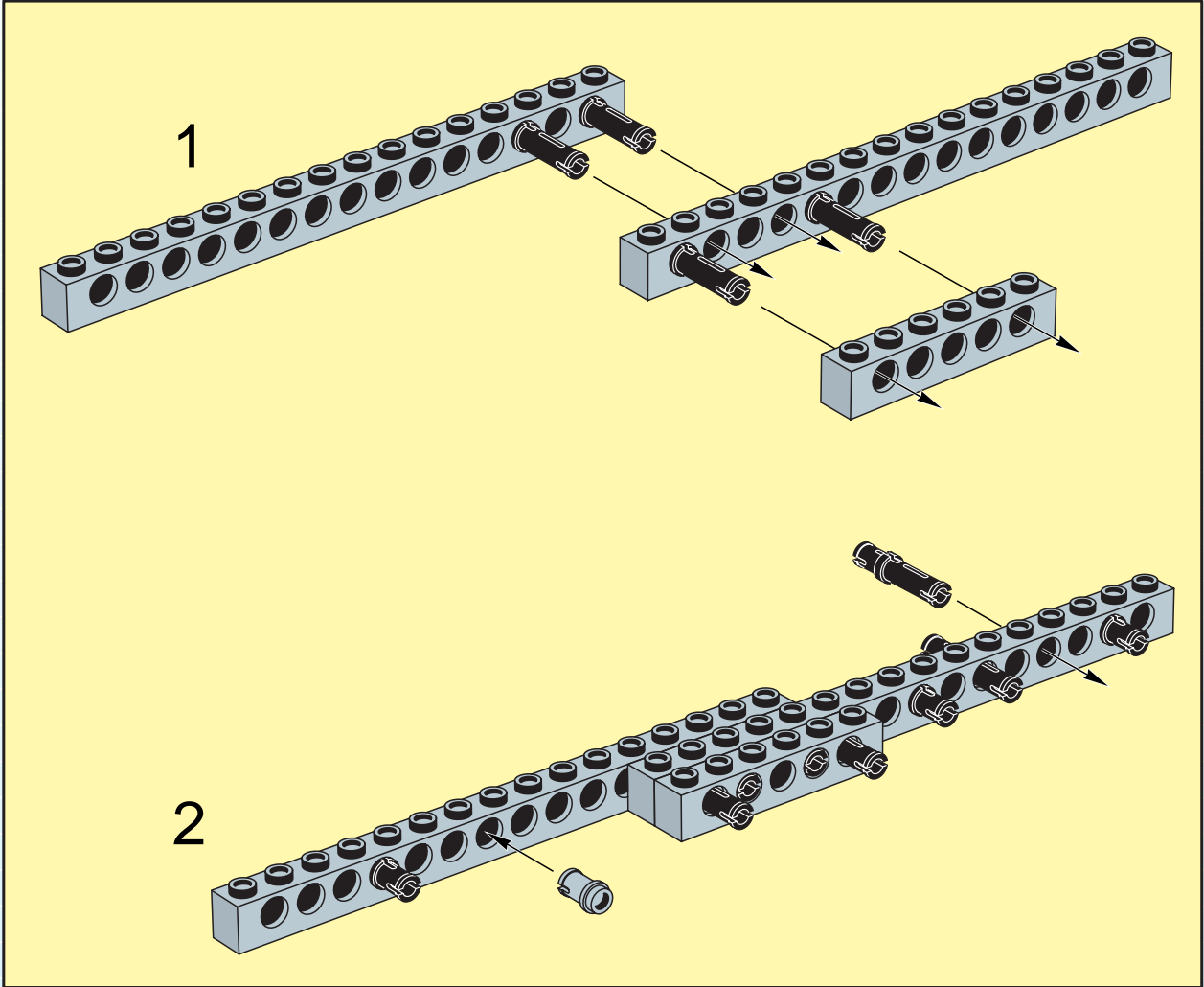


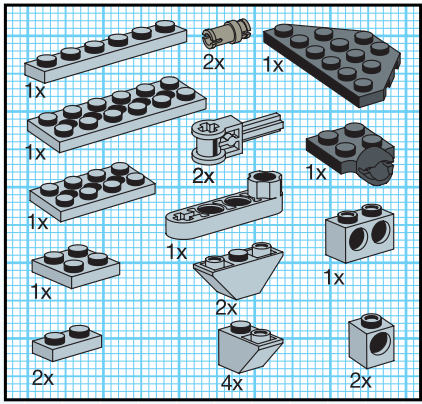
2



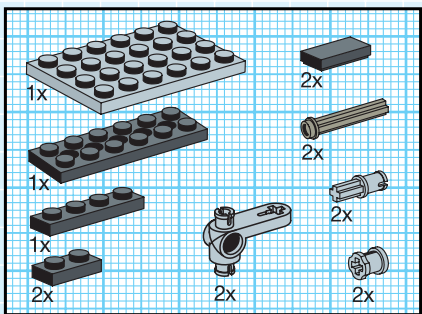
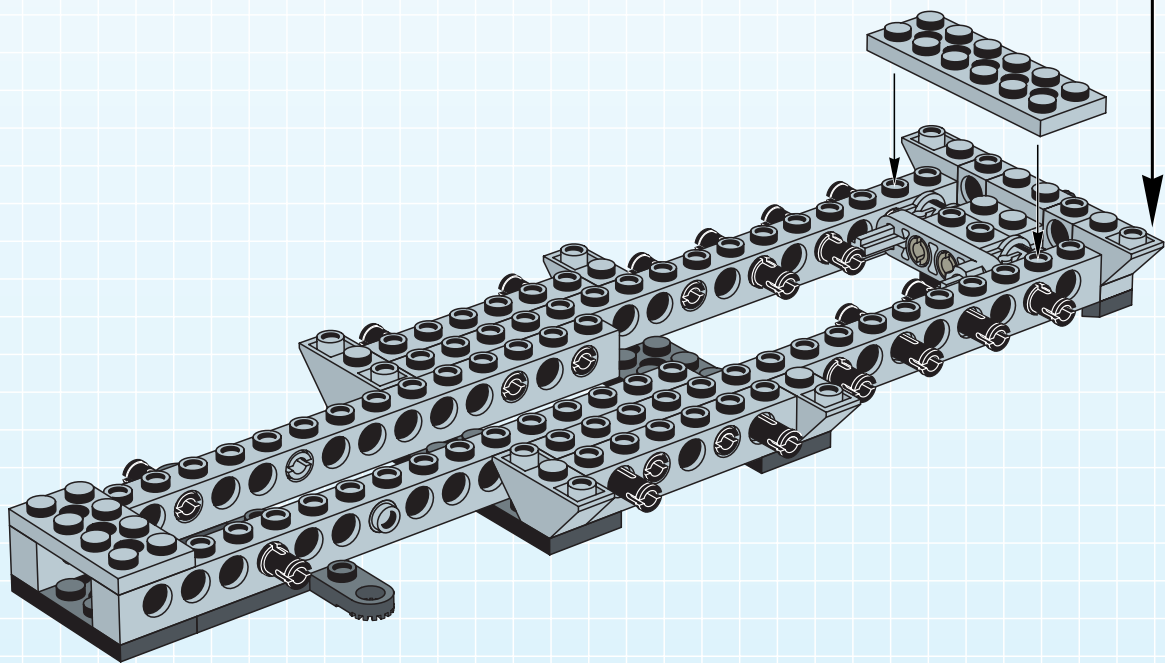
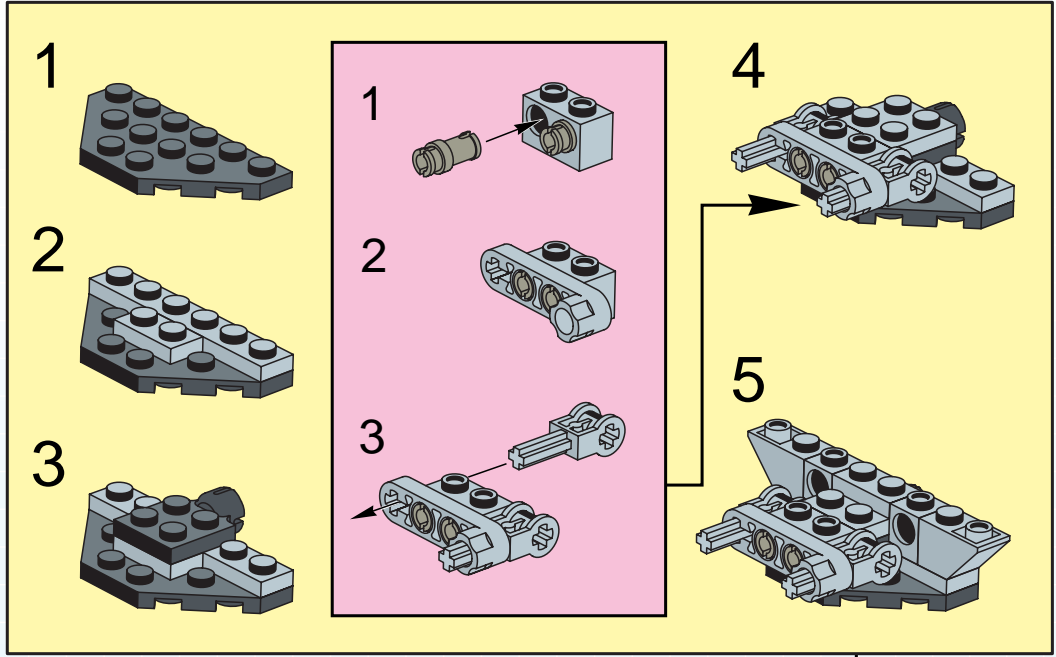


3

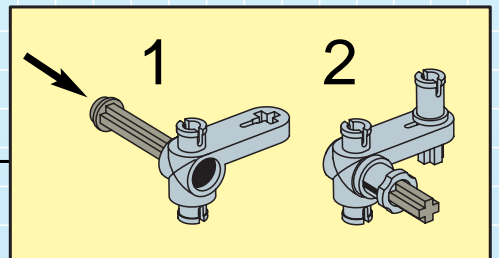
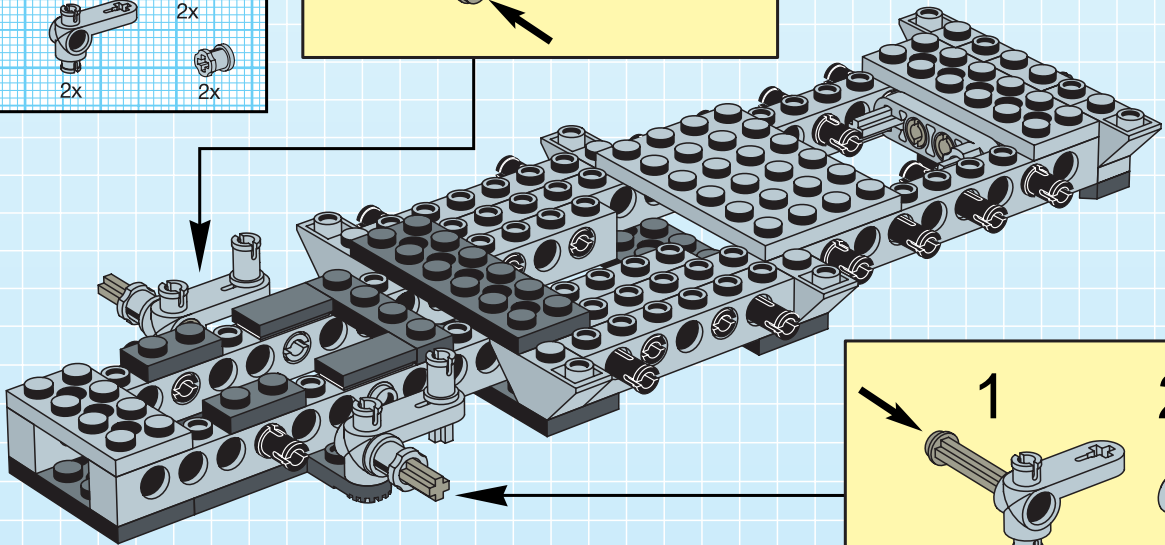
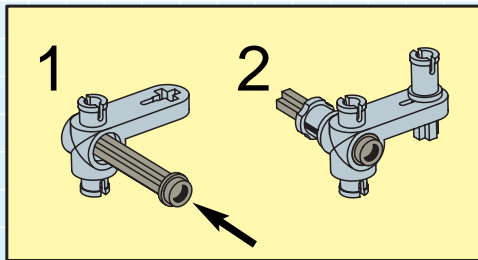


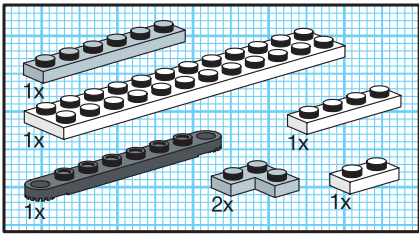


4

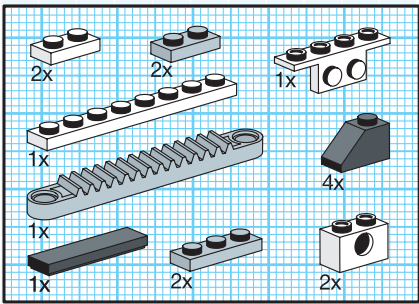
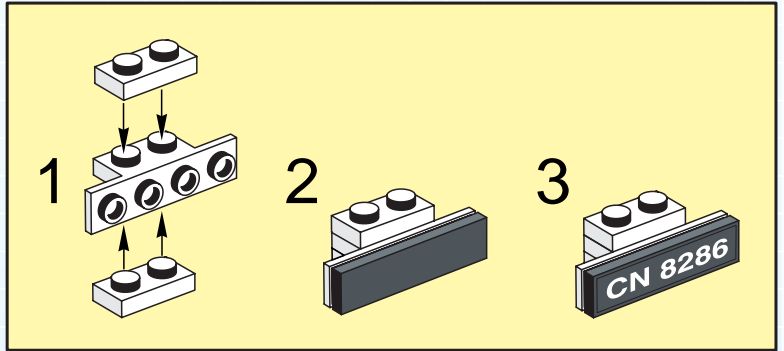
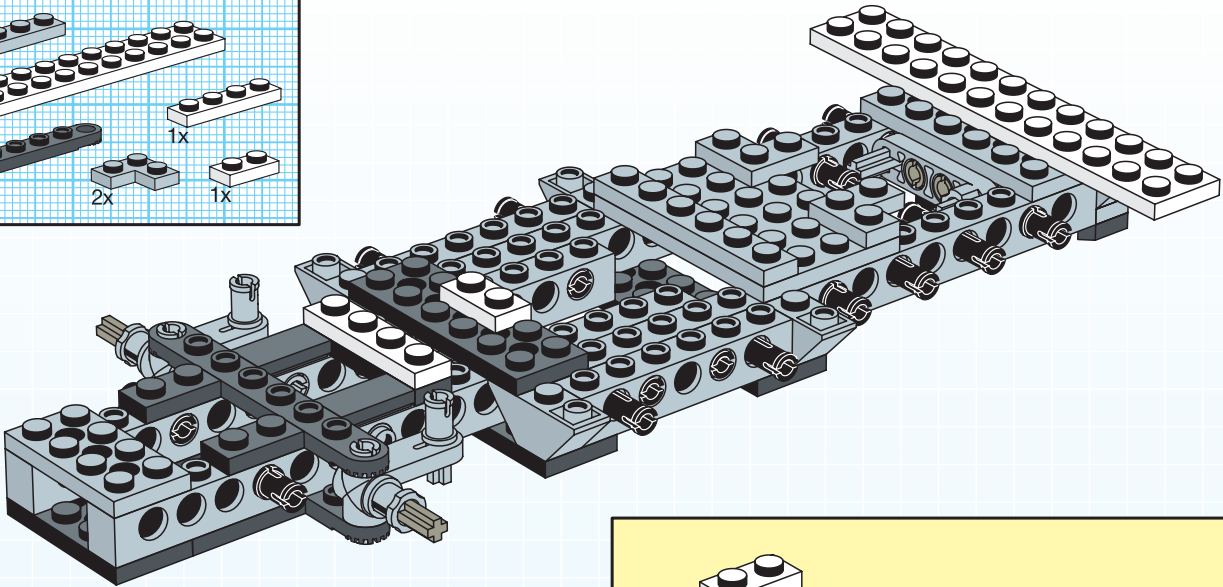


5

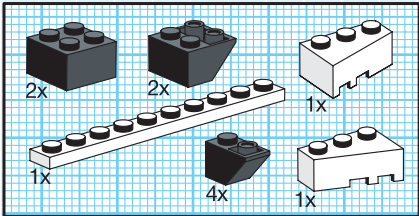
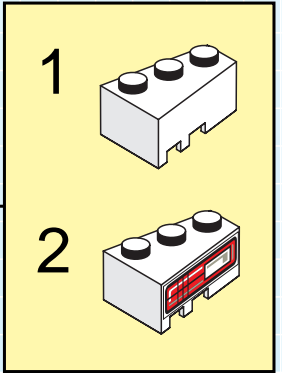
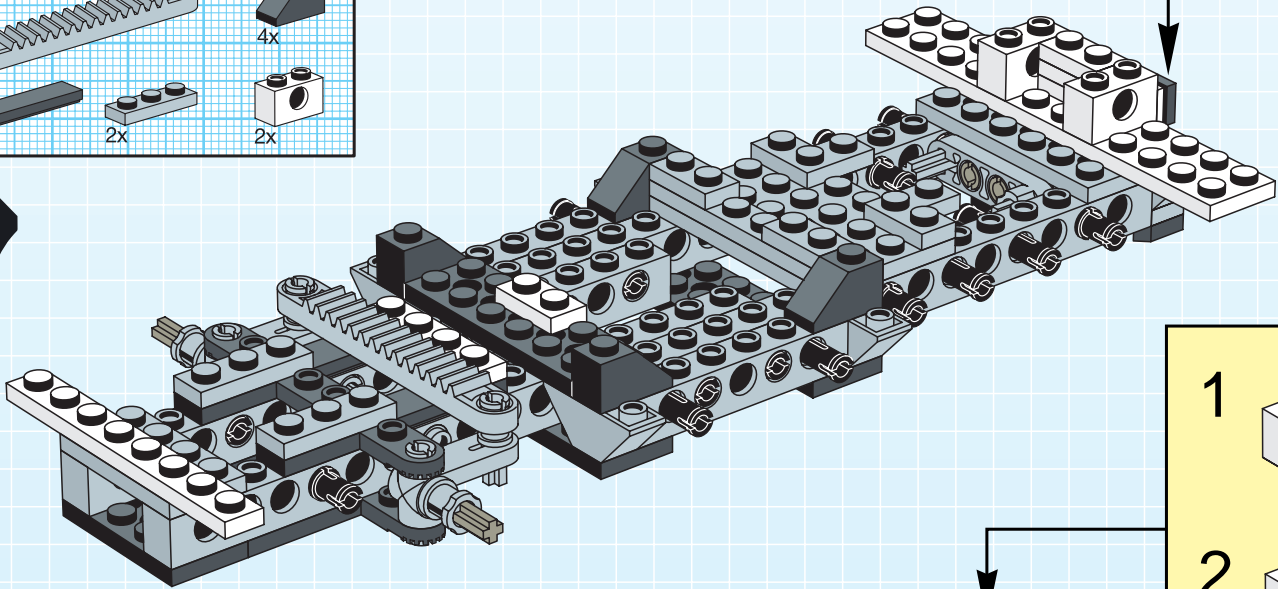




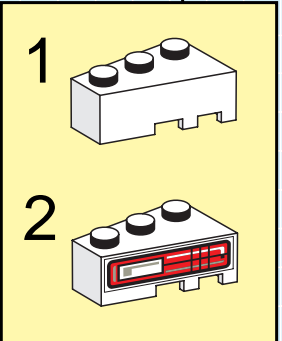
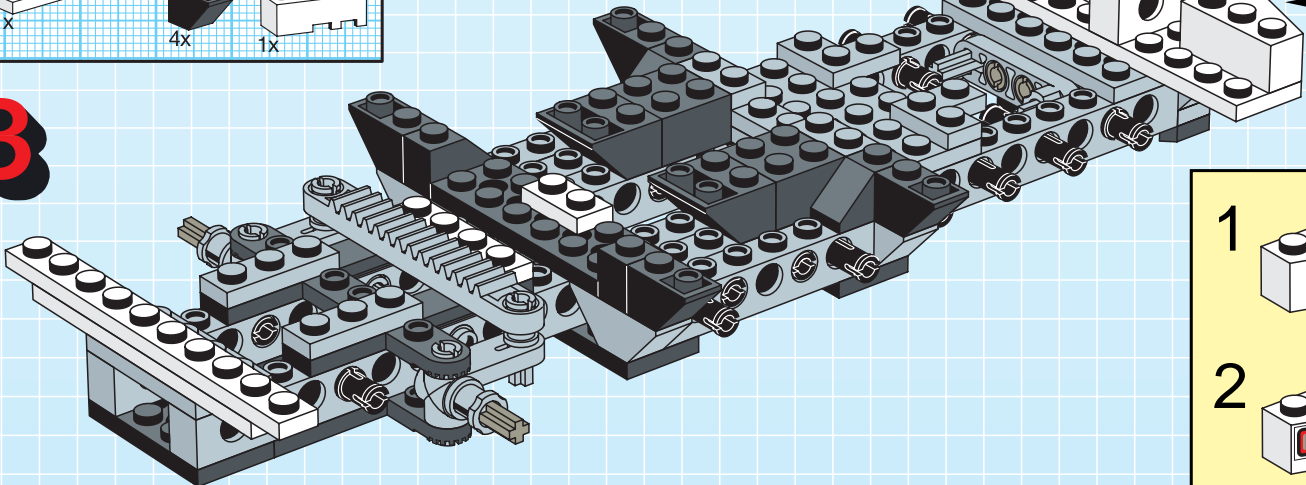
6

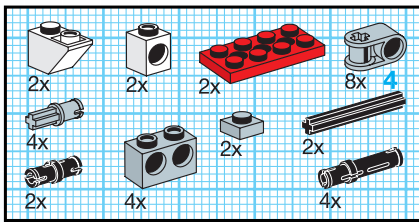


7

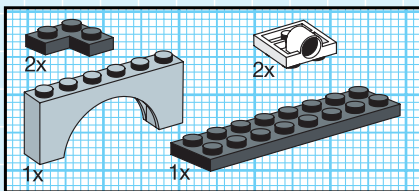
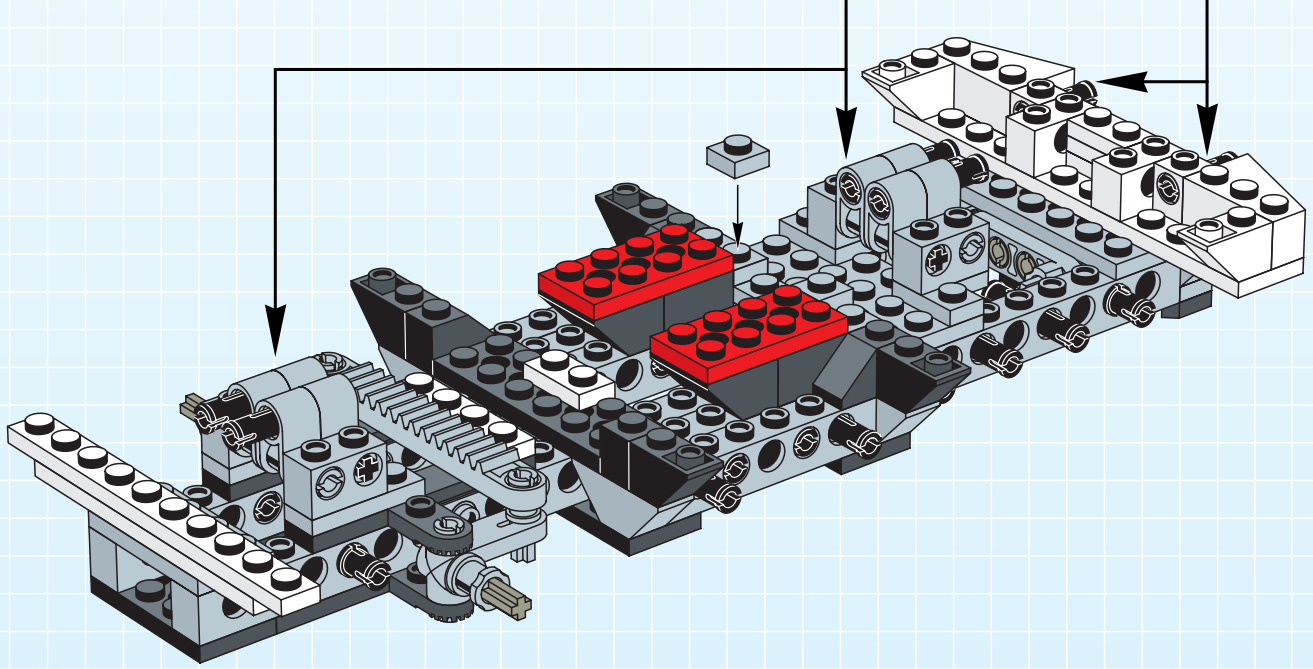
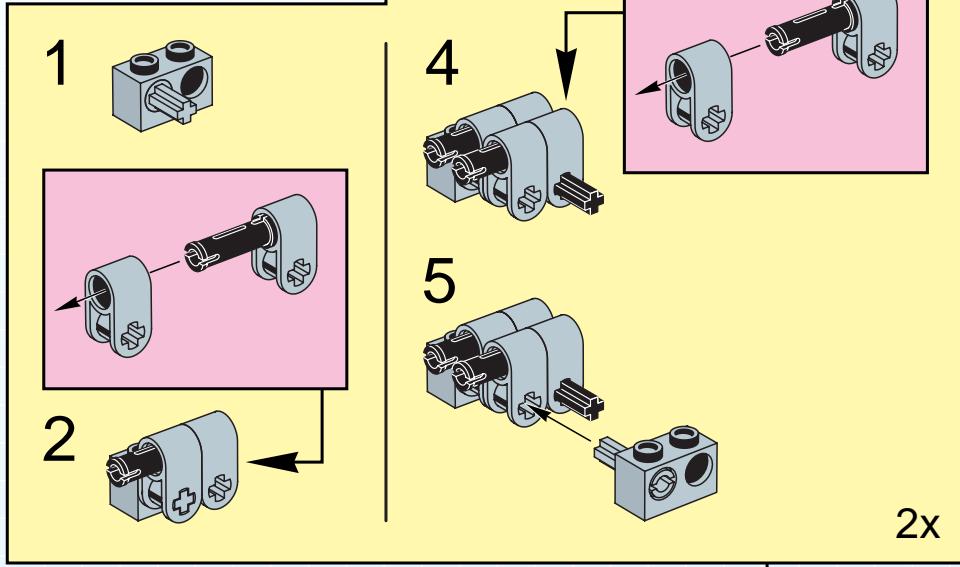


8

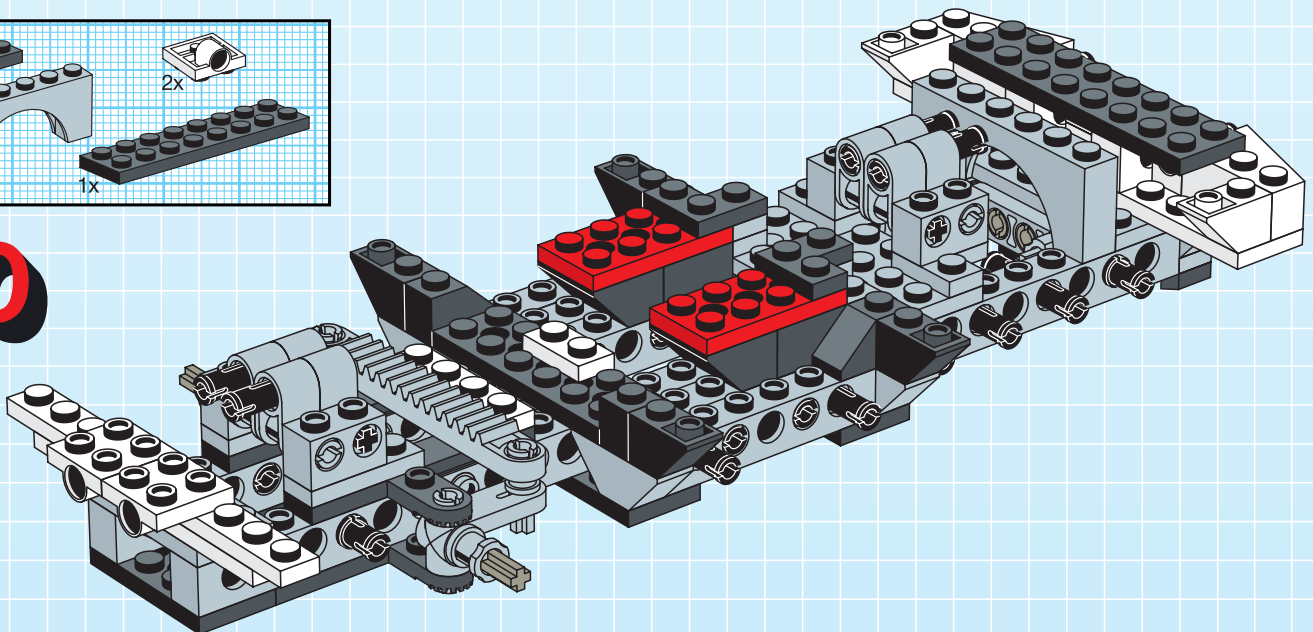


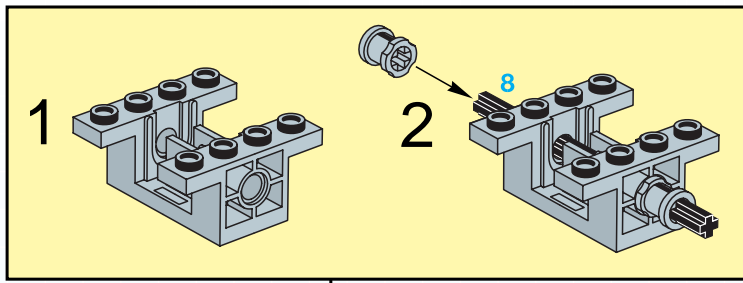
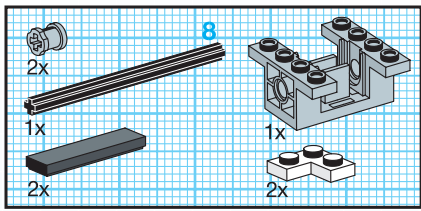


9

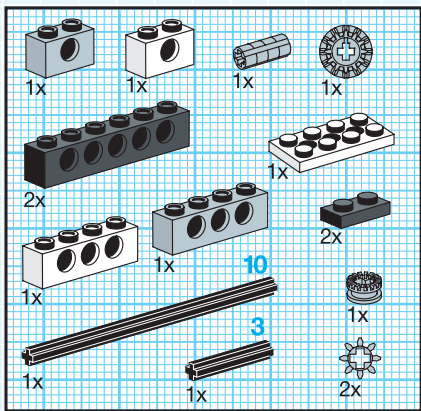
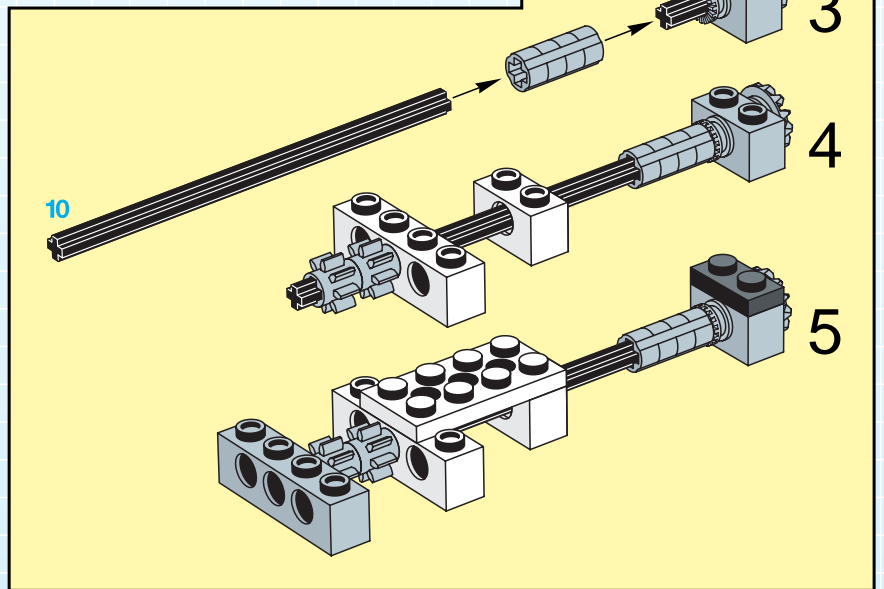
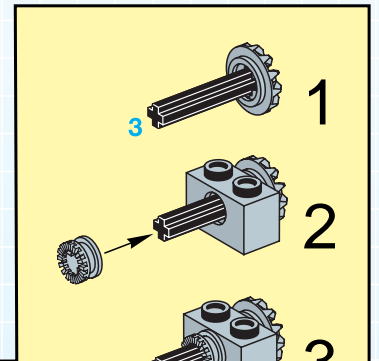
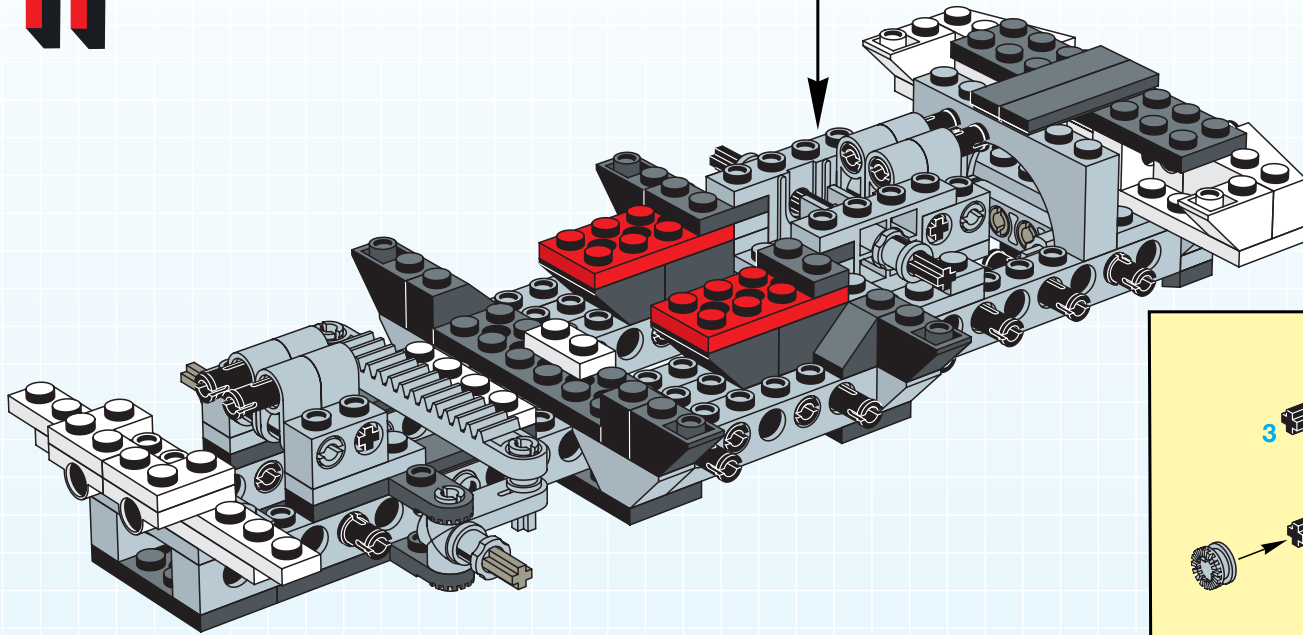


10

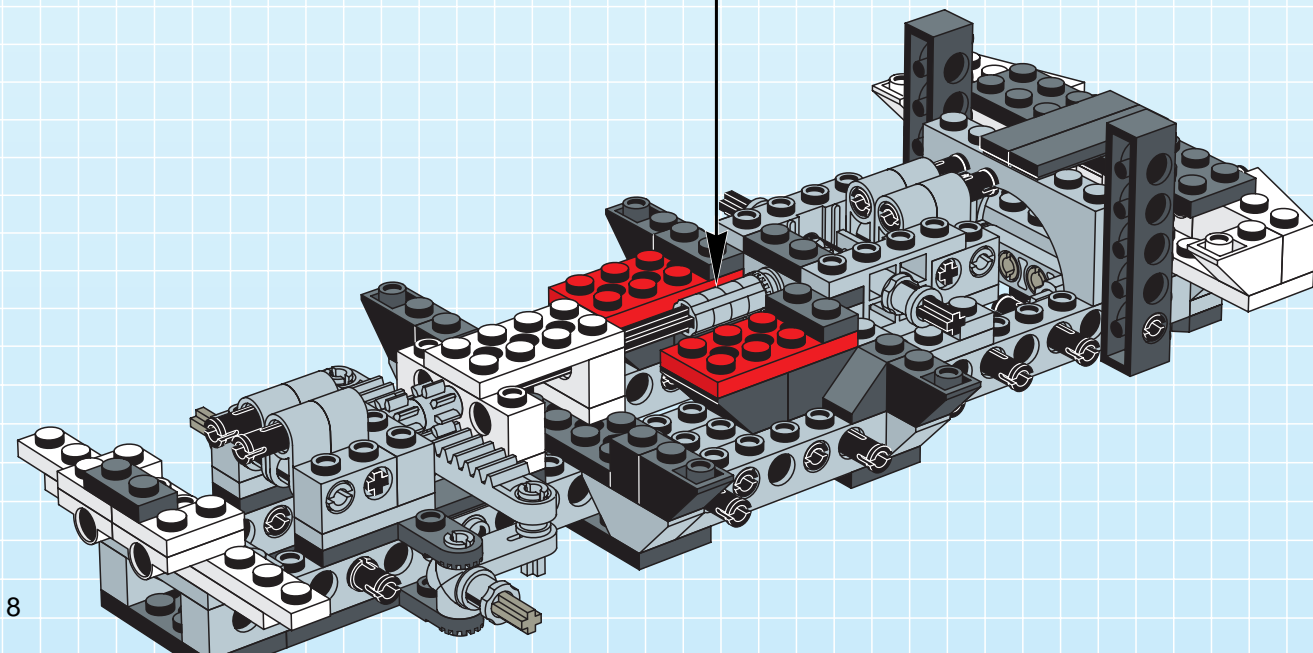


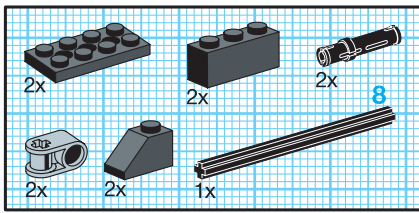


11

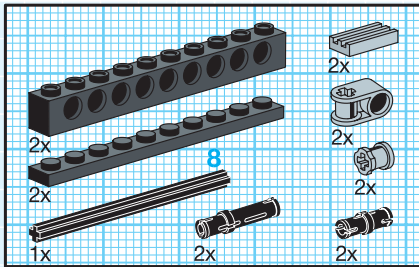
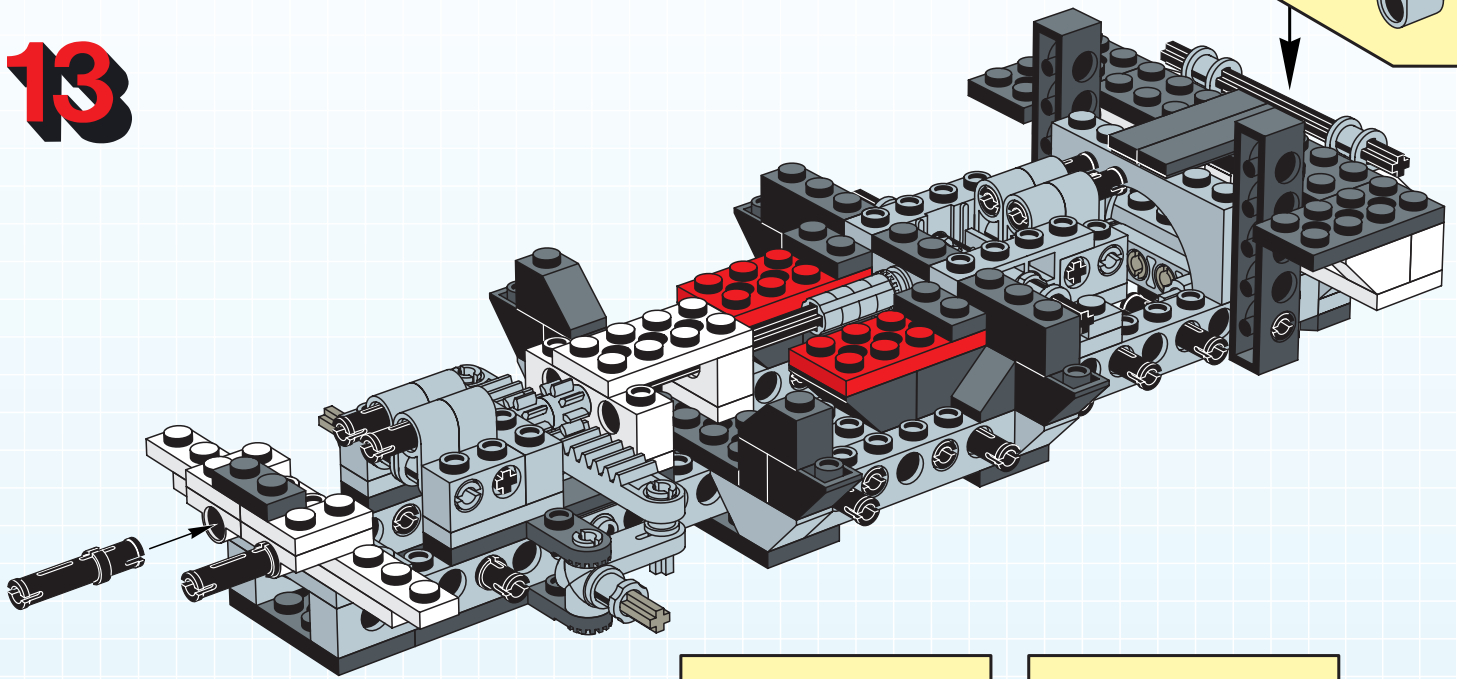
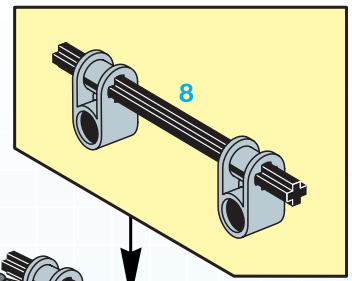


12

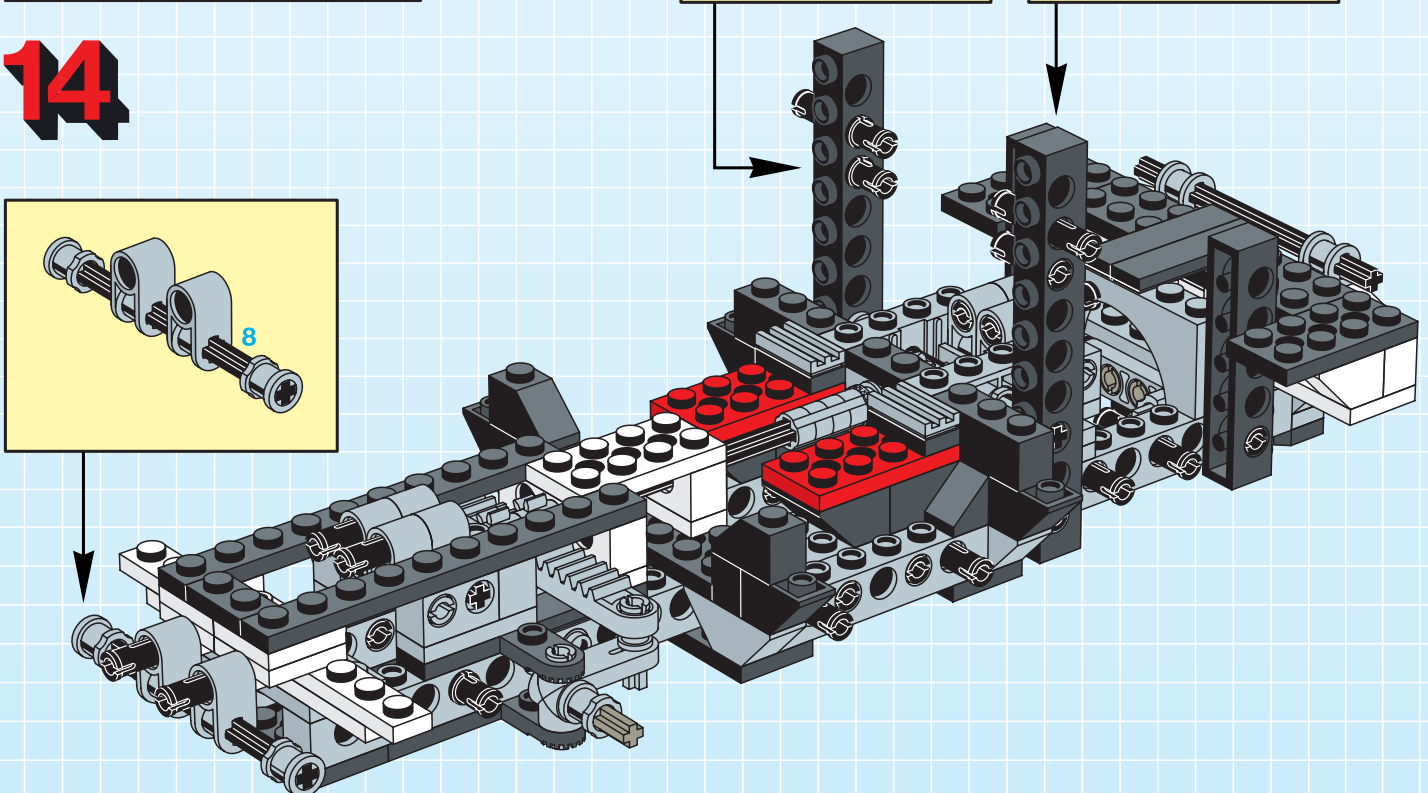
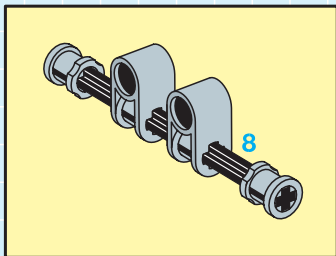
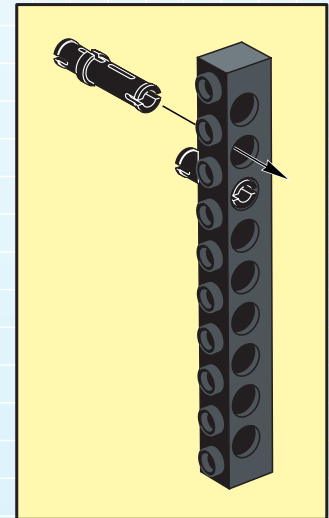
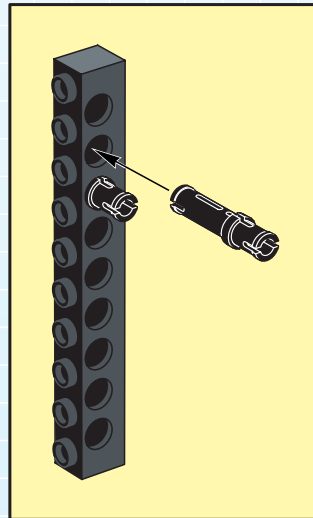


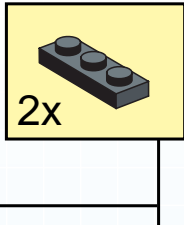
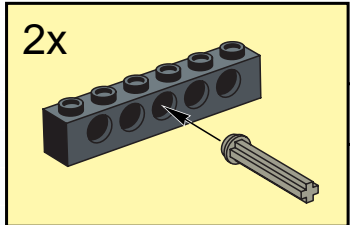
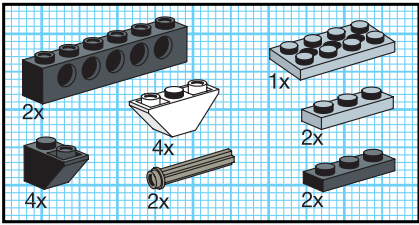


13

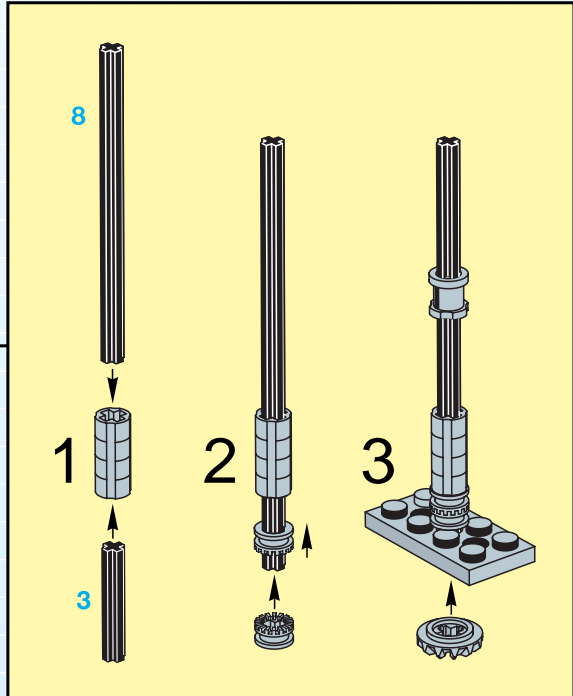
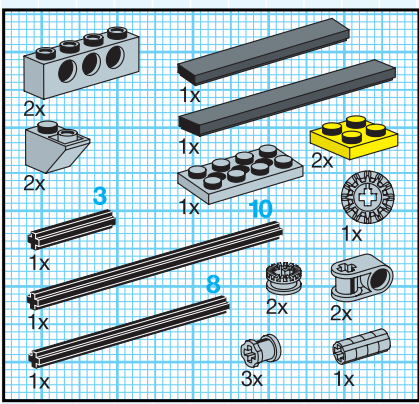
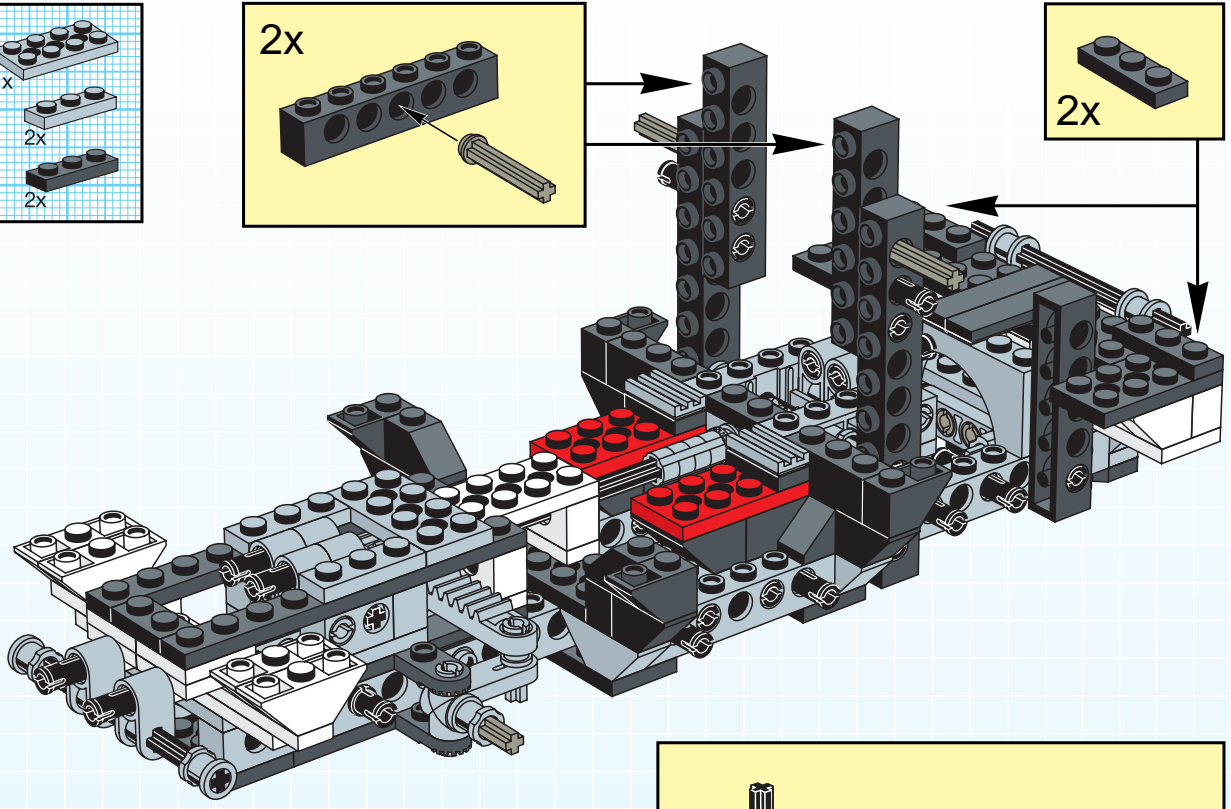


14

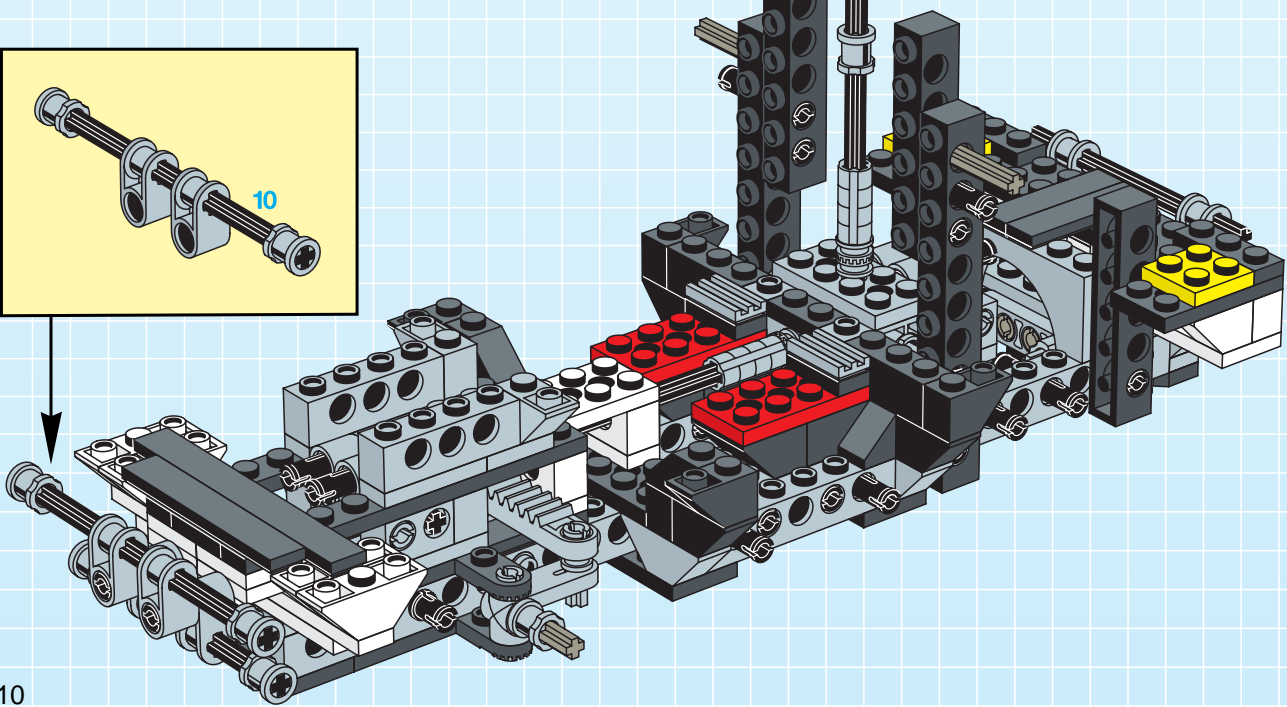
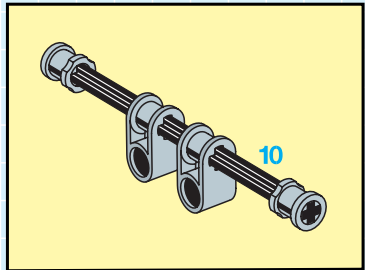


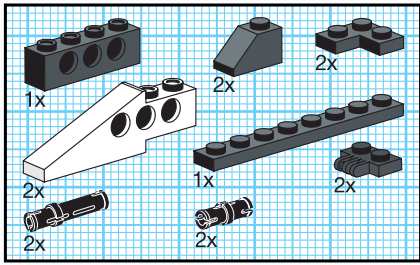


15

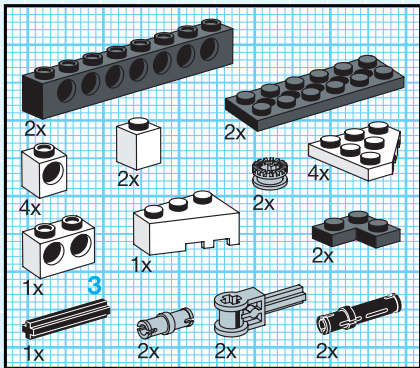
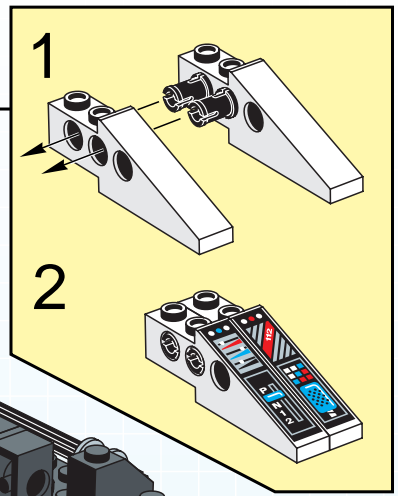
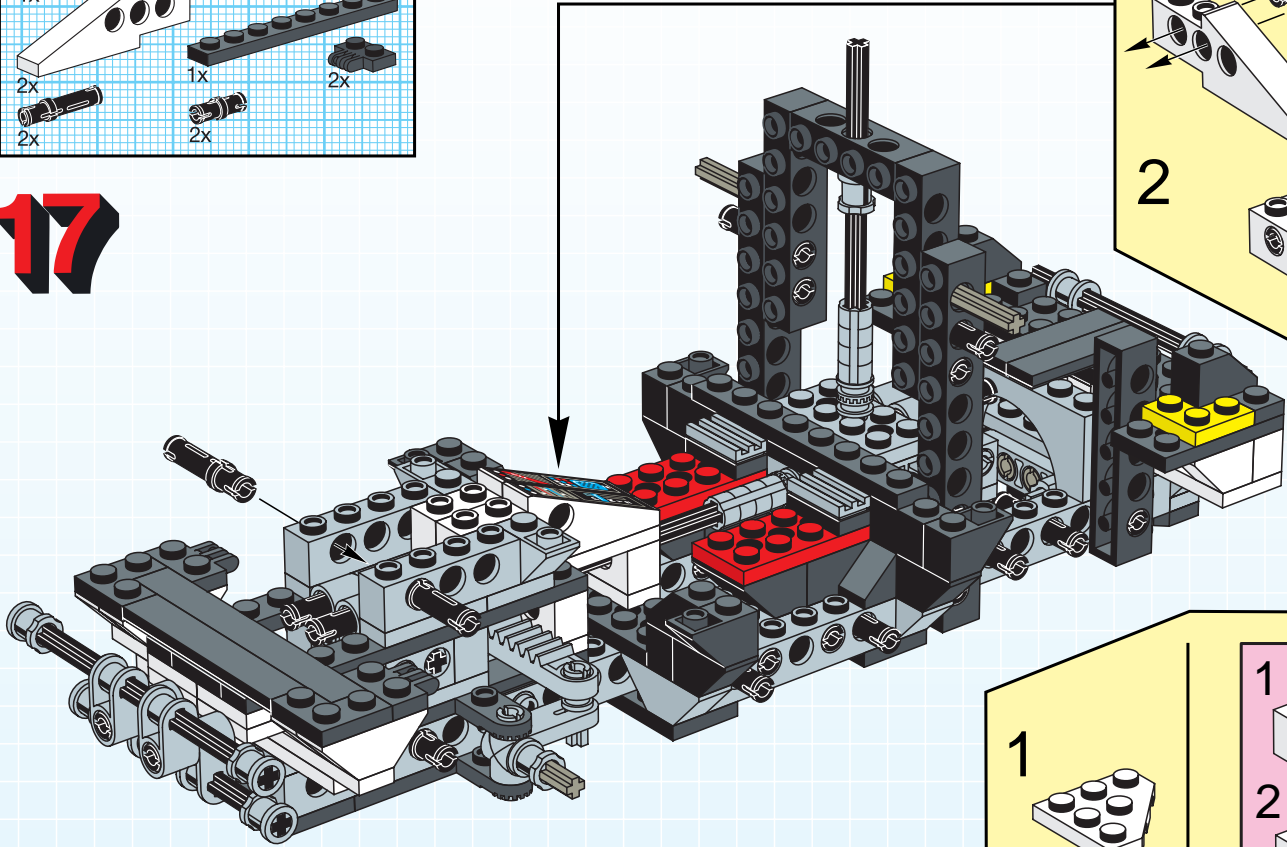


16

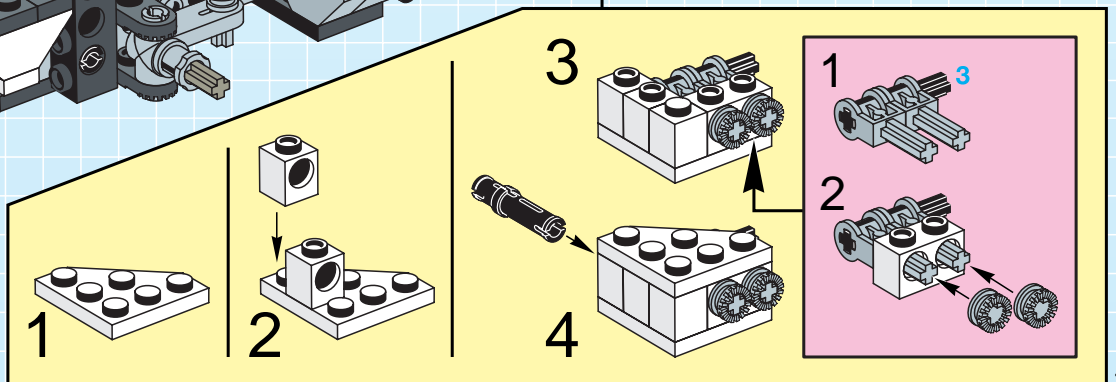
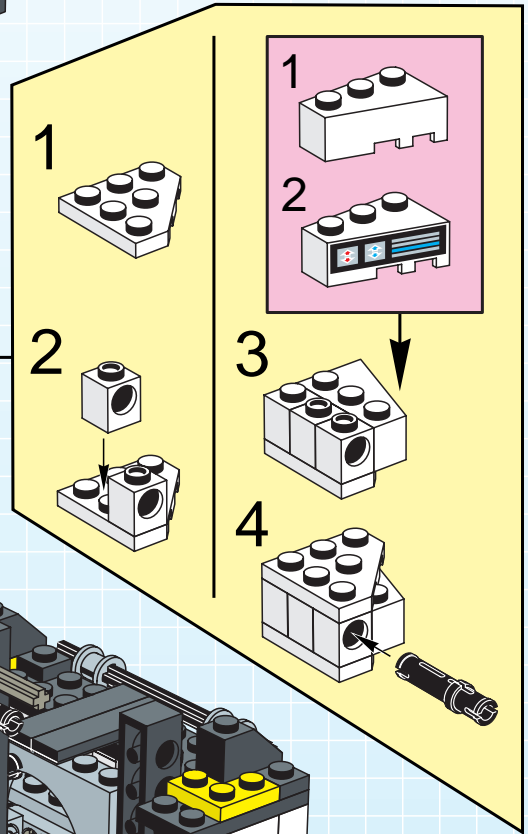
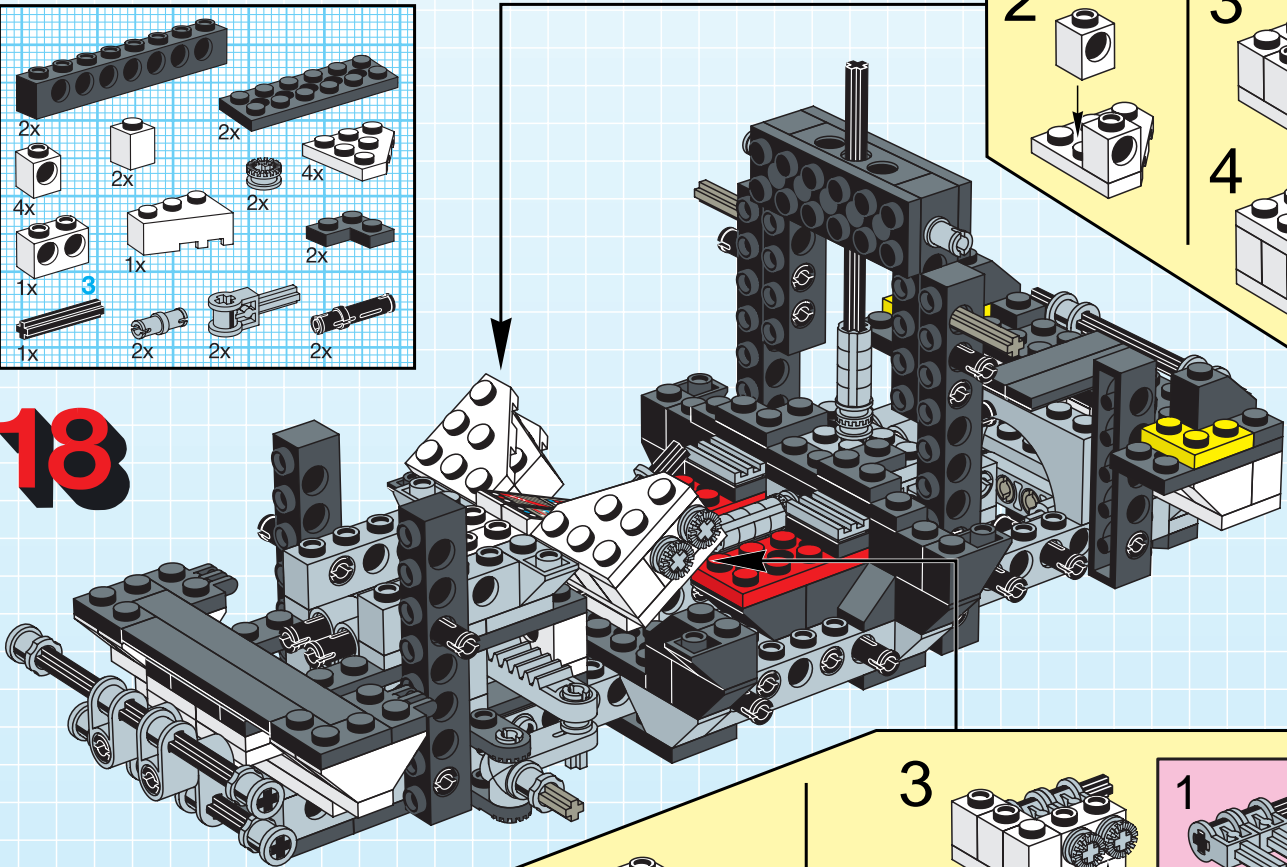


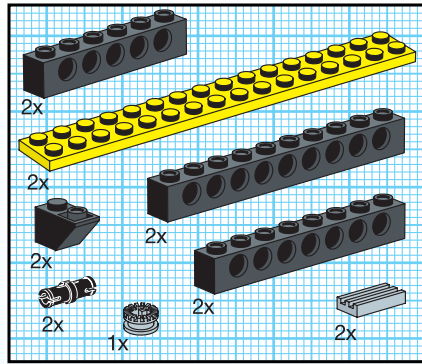


17

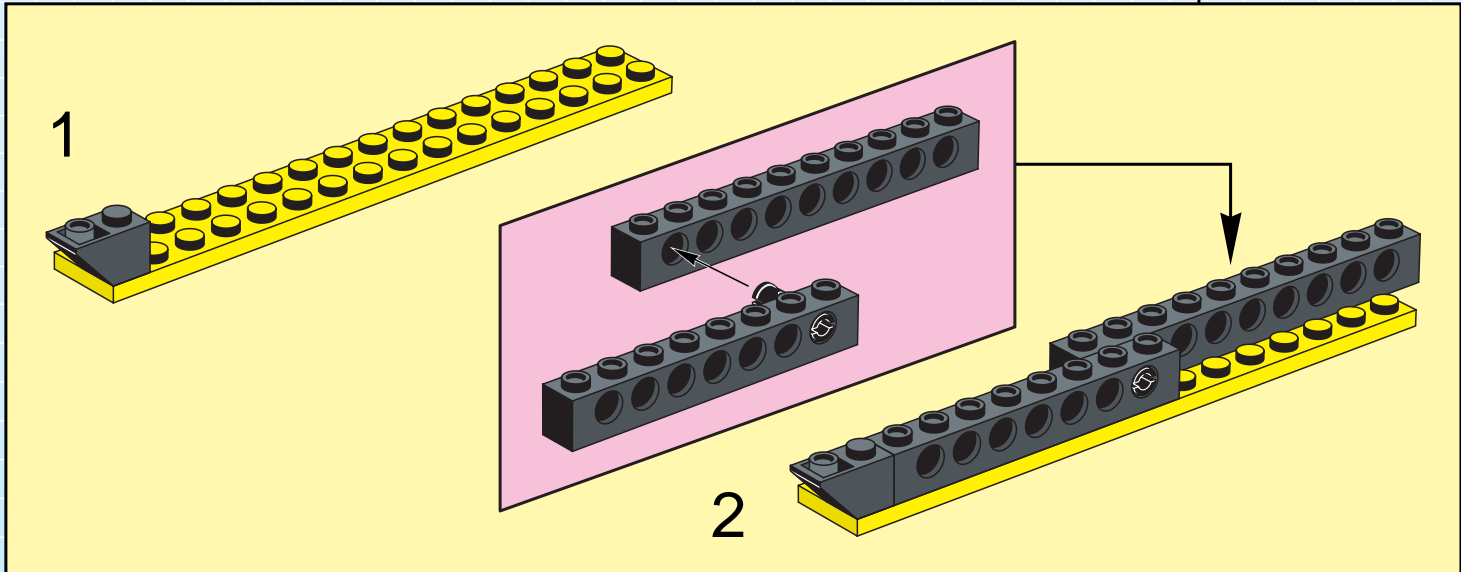
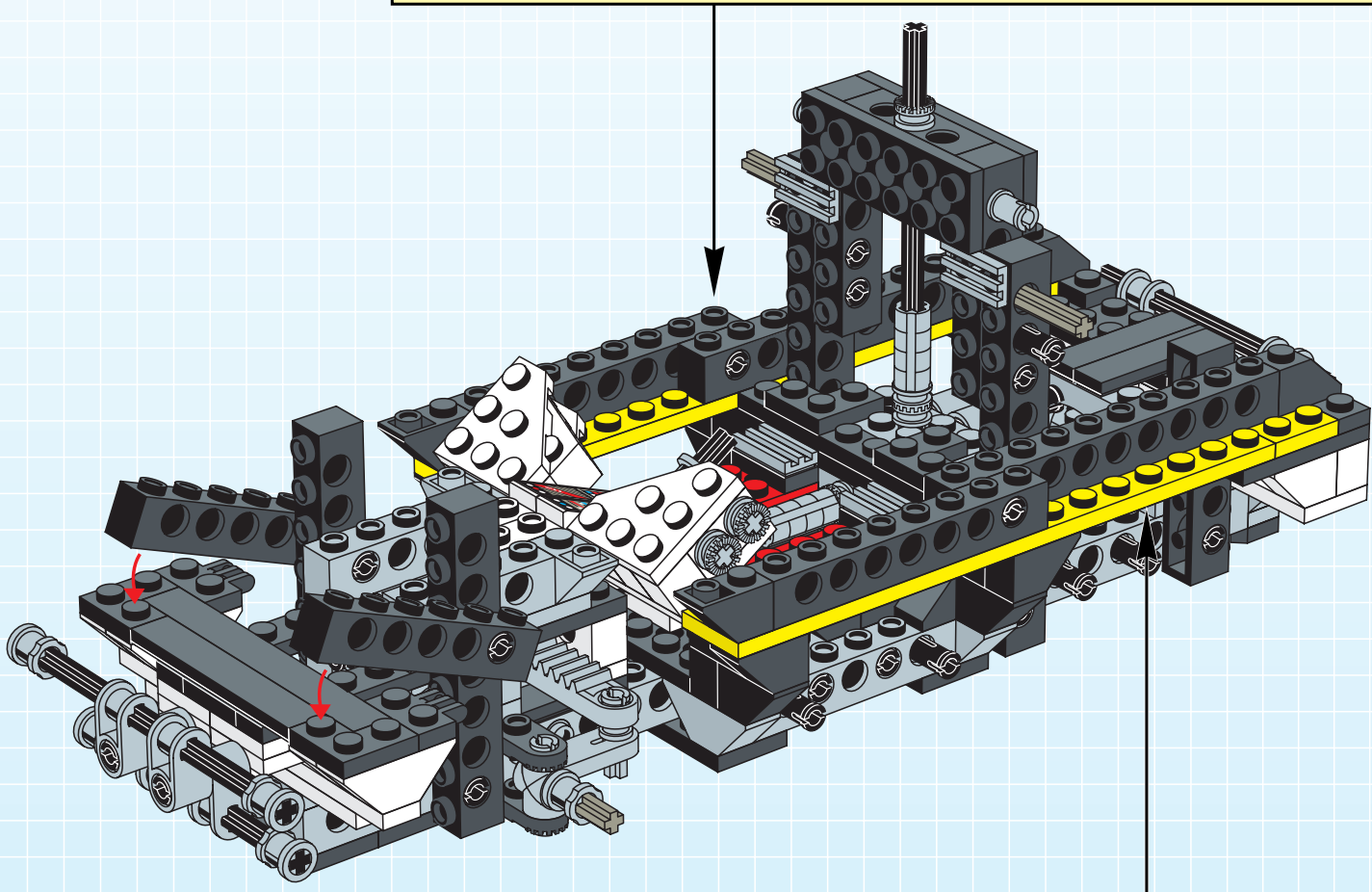
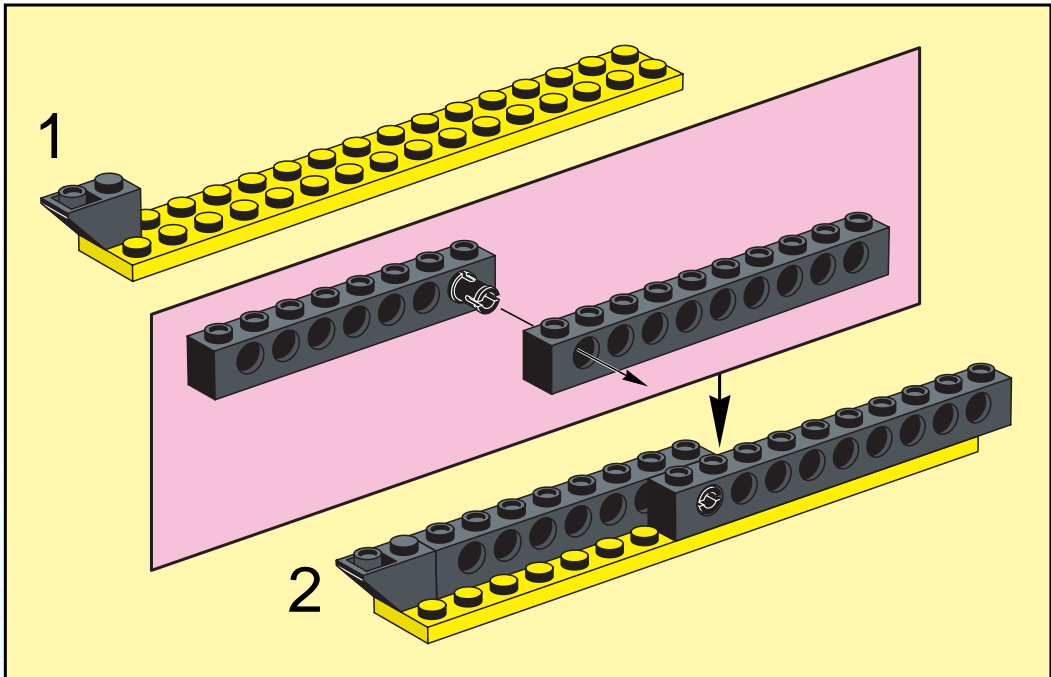


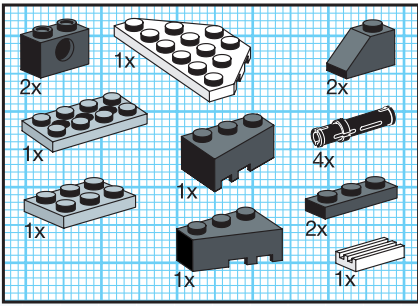
18



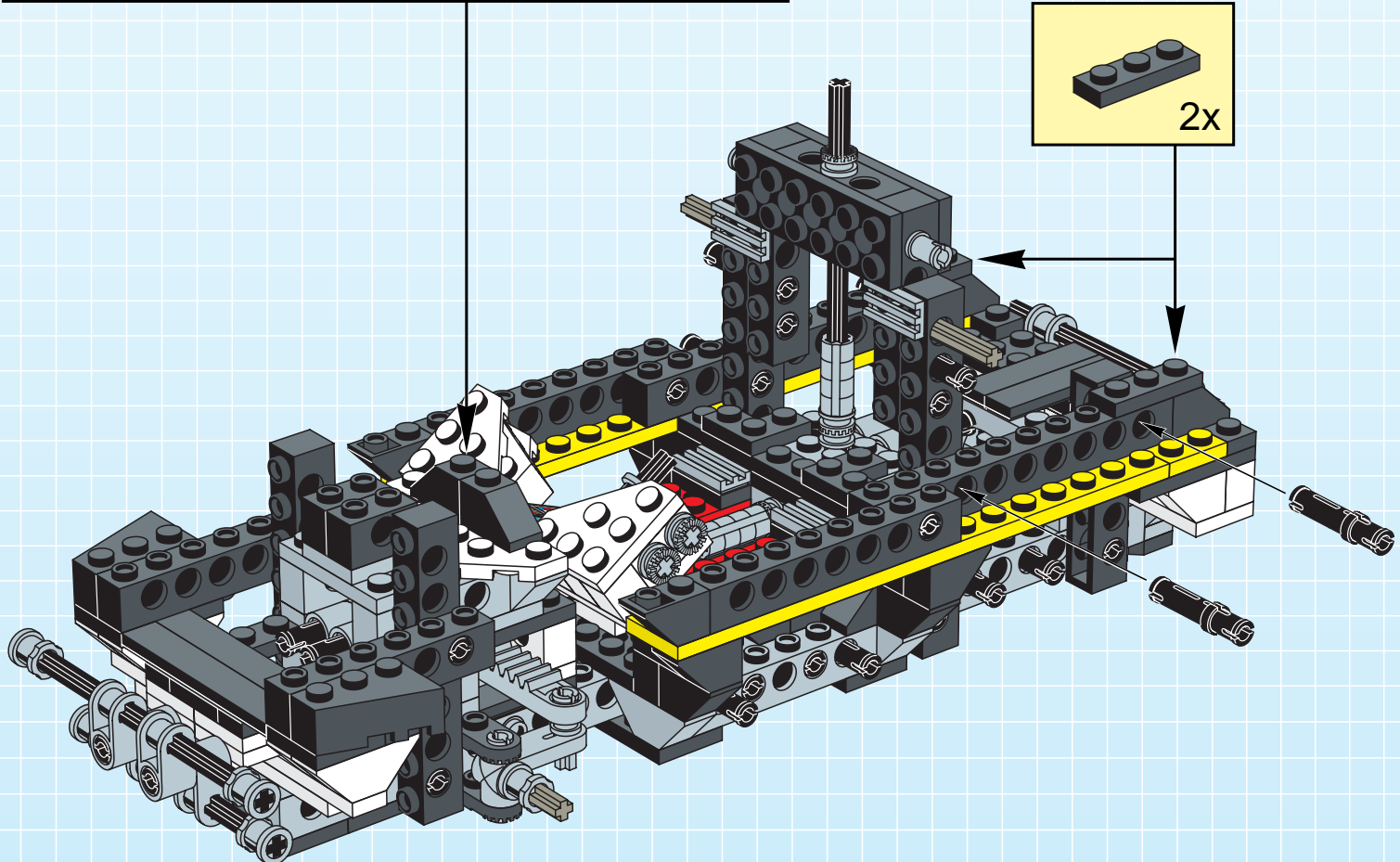
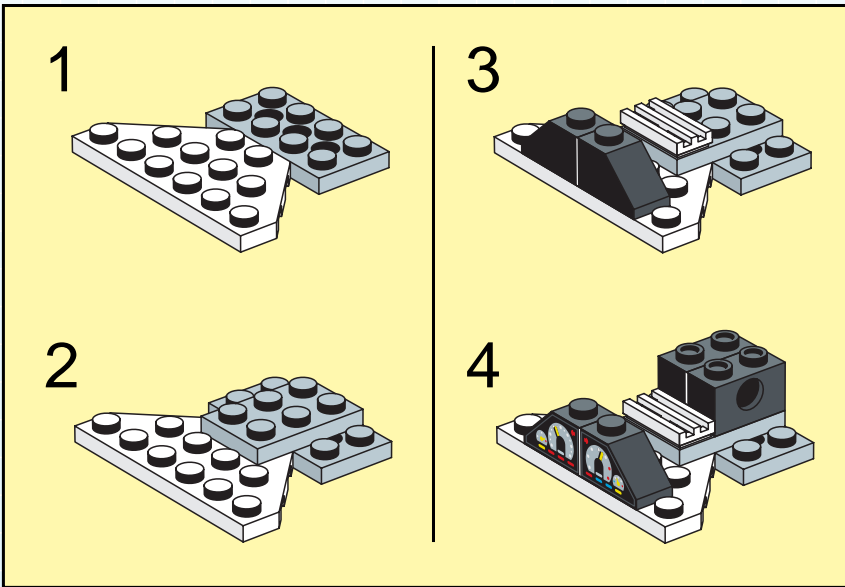


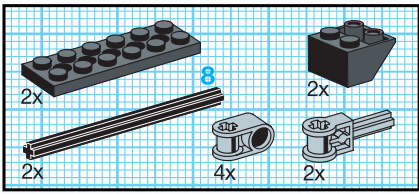
19



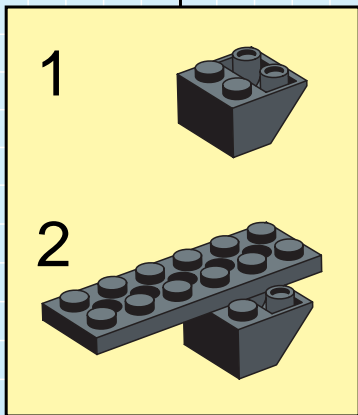
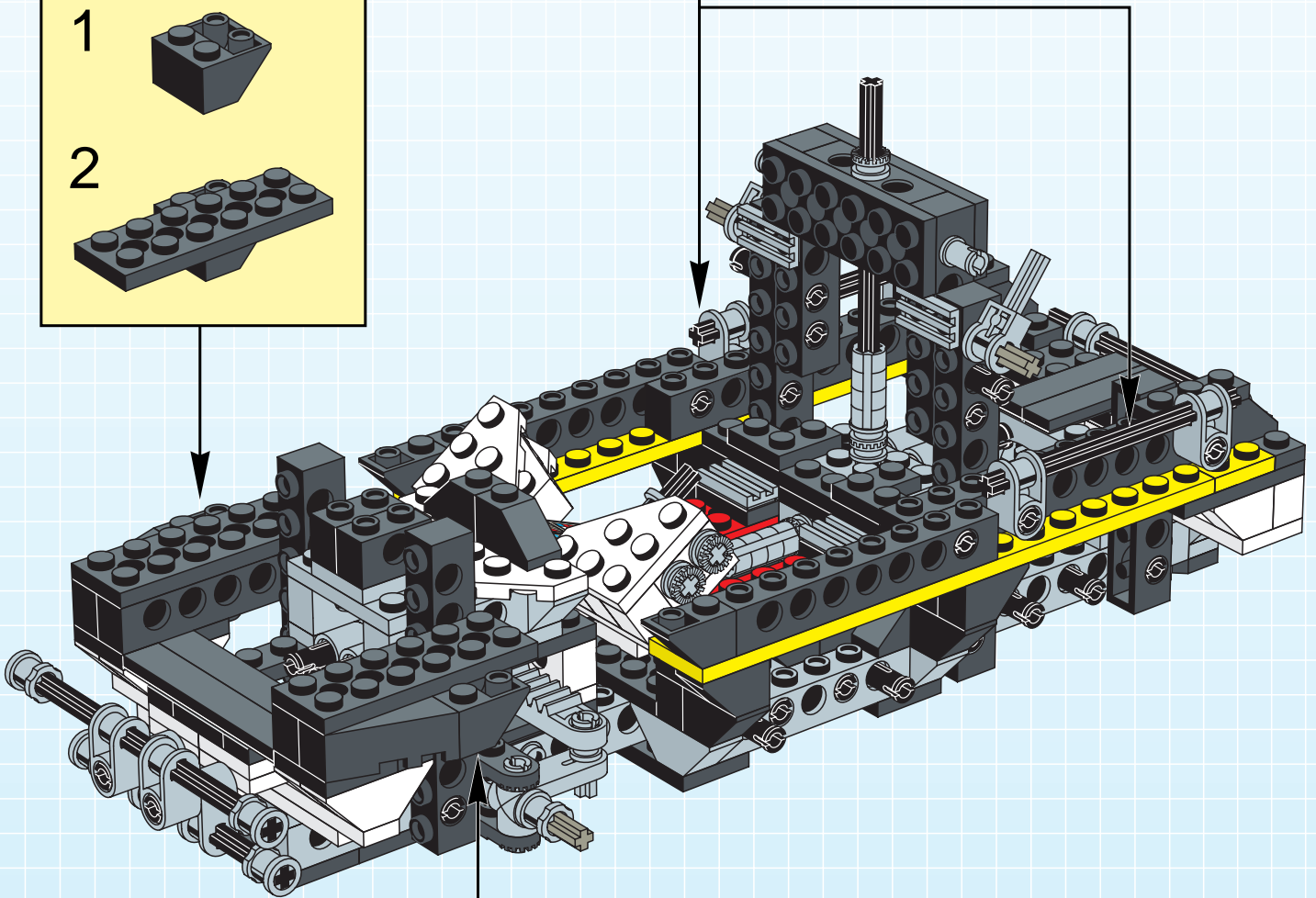
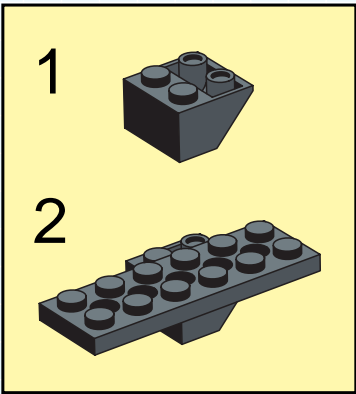
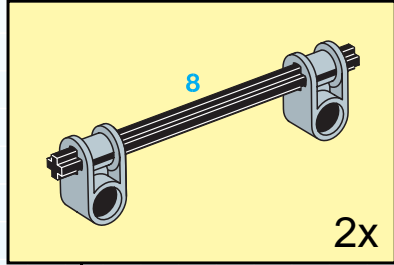


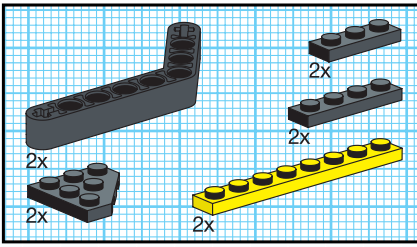
20



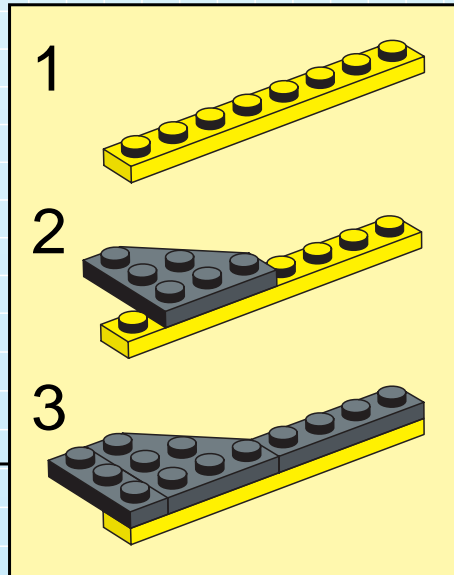
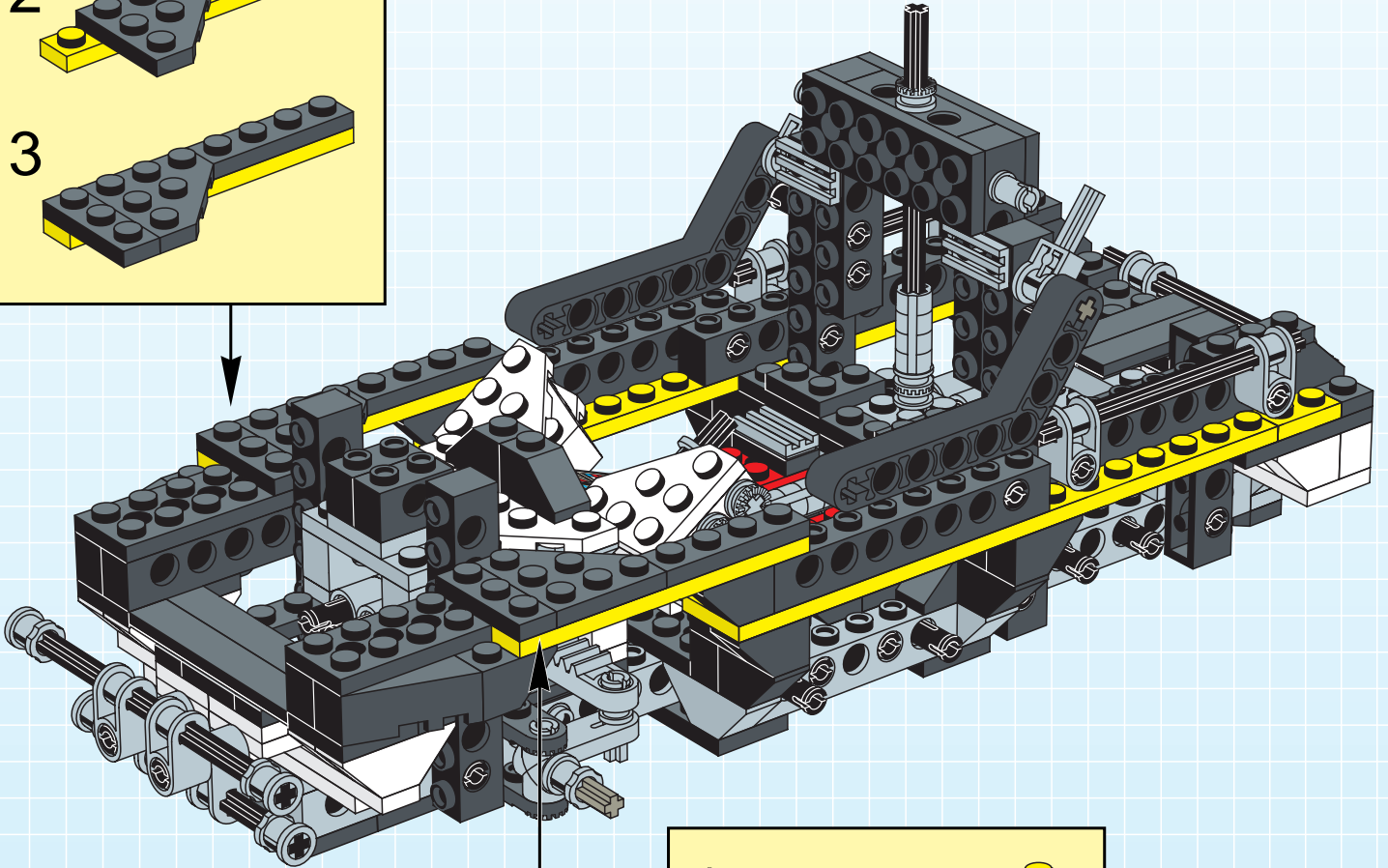
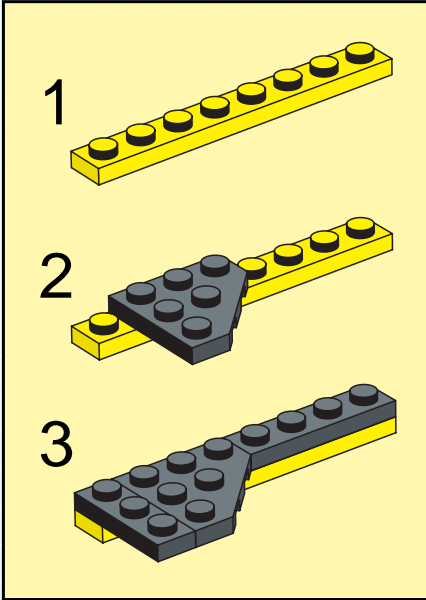


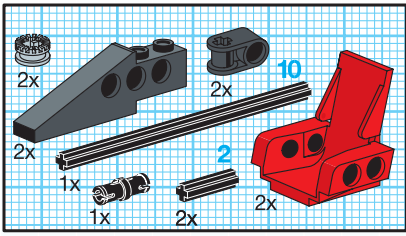
21



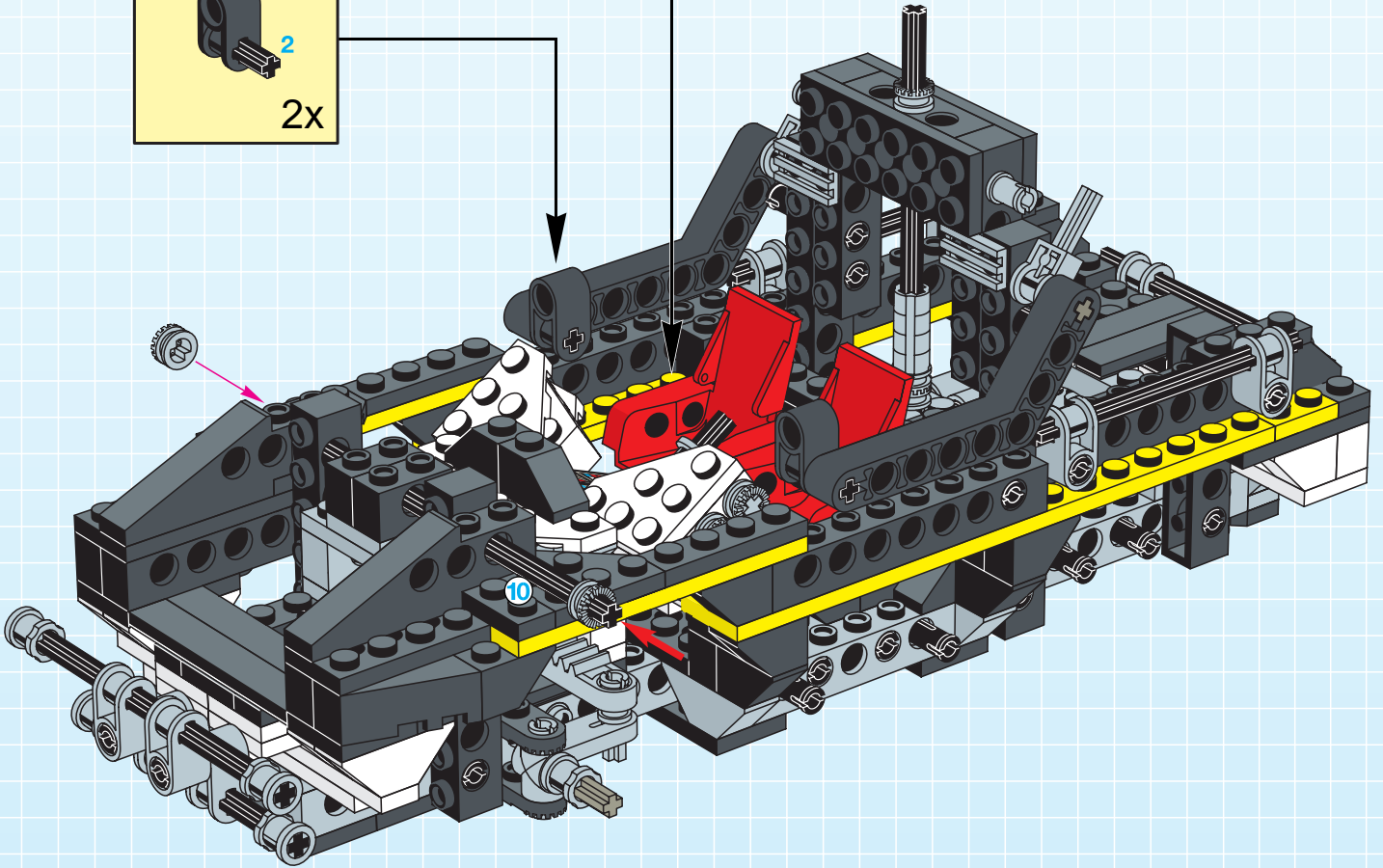
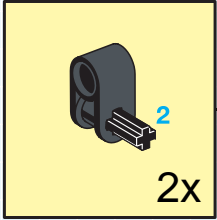
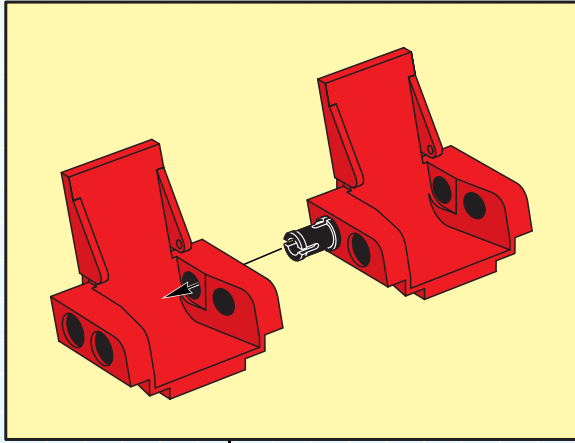


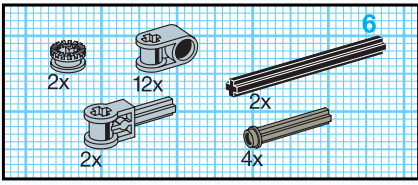
22



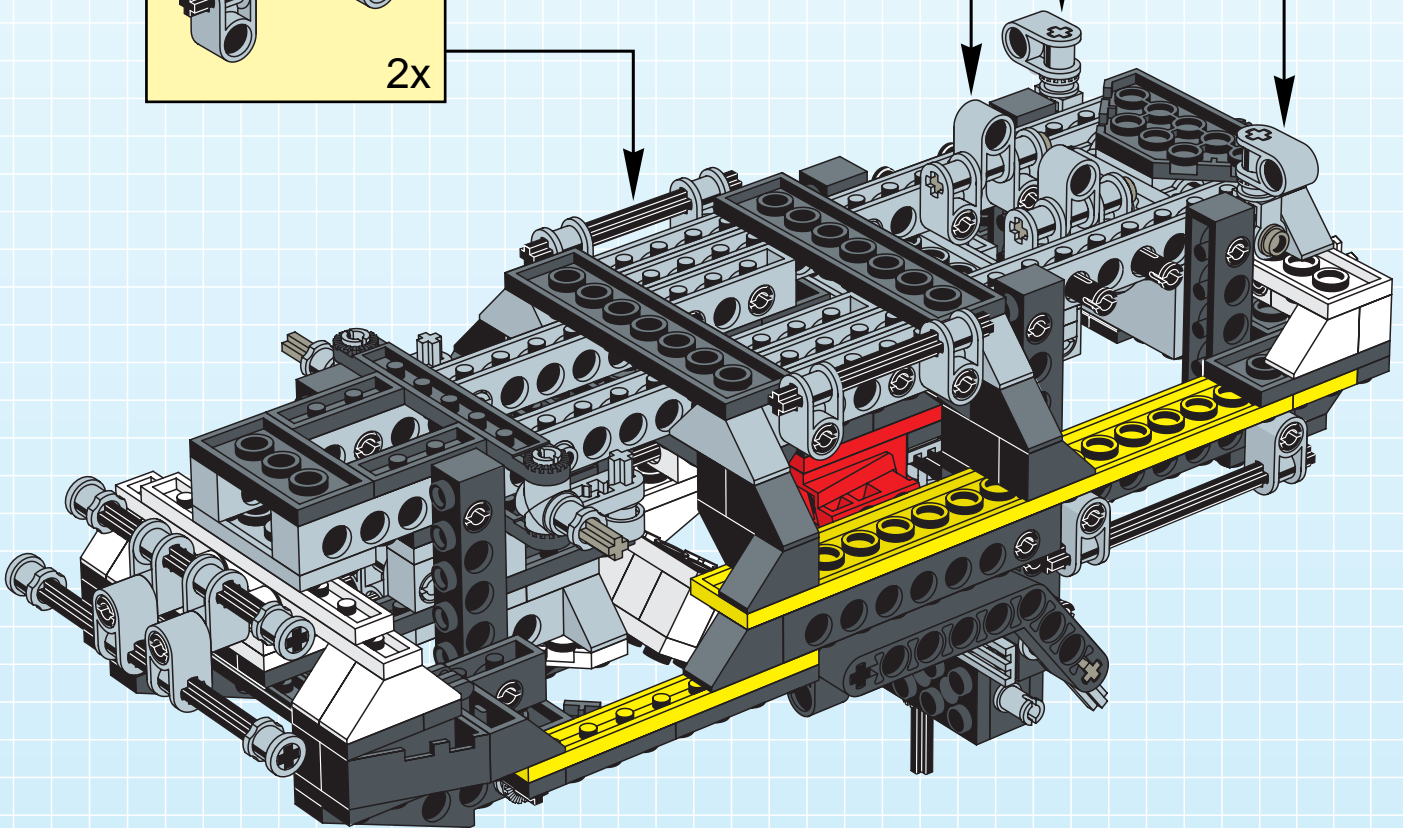
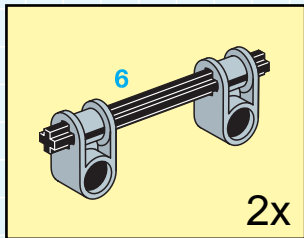
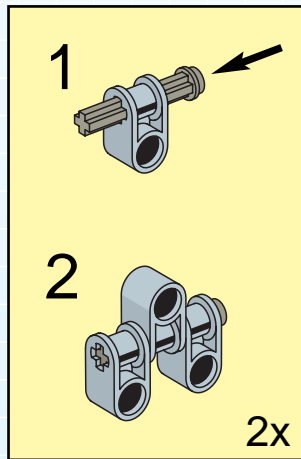
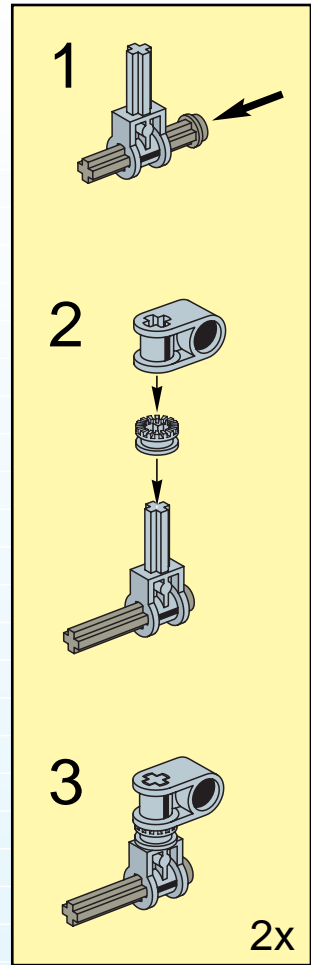


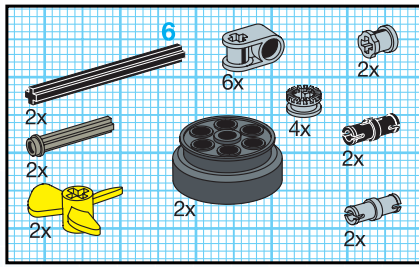
23



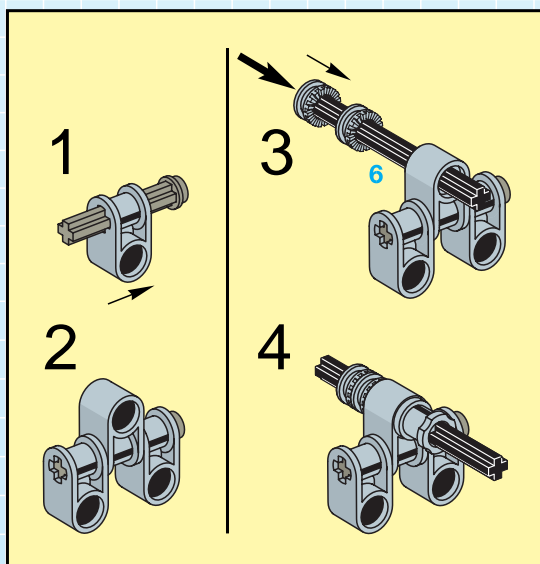
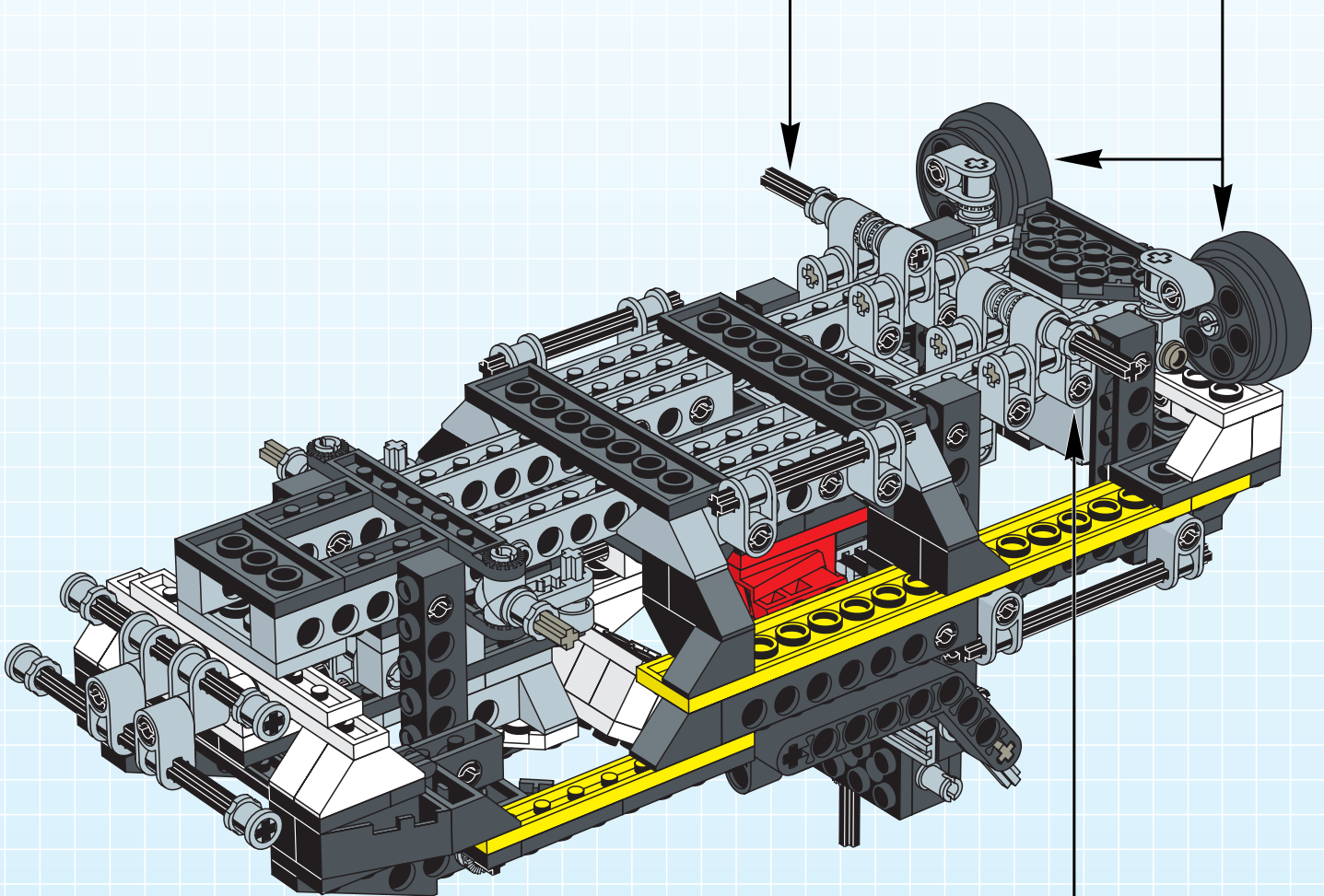
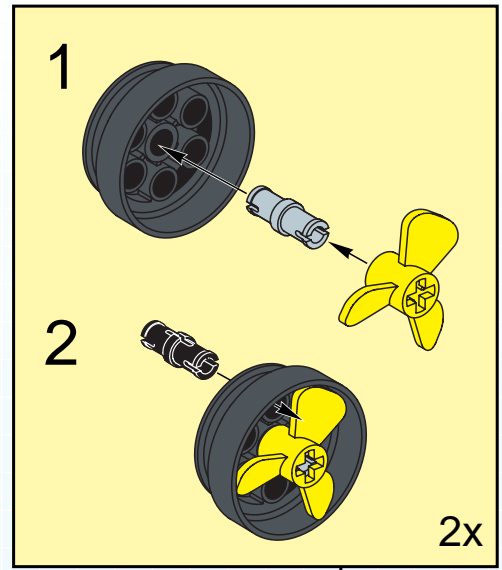
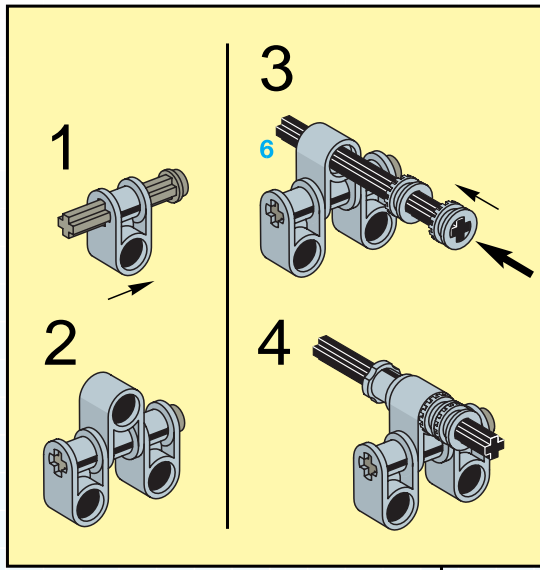


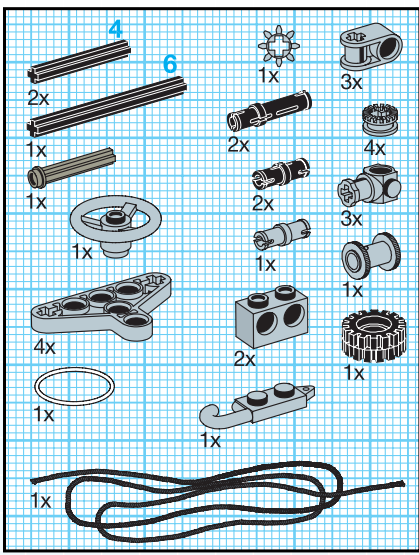
24



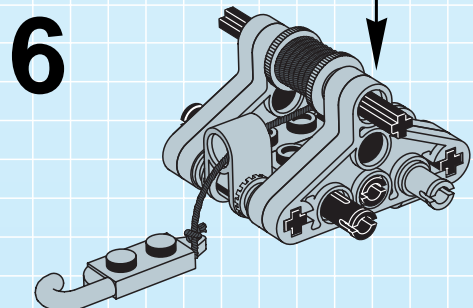
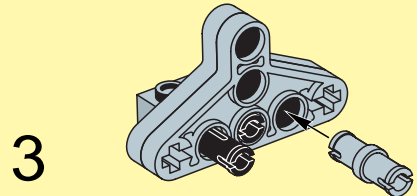
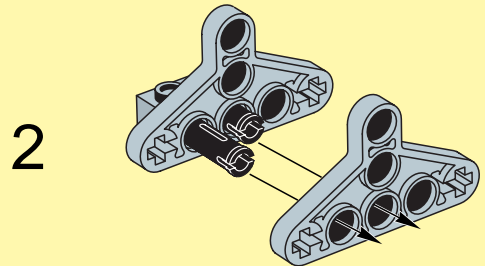
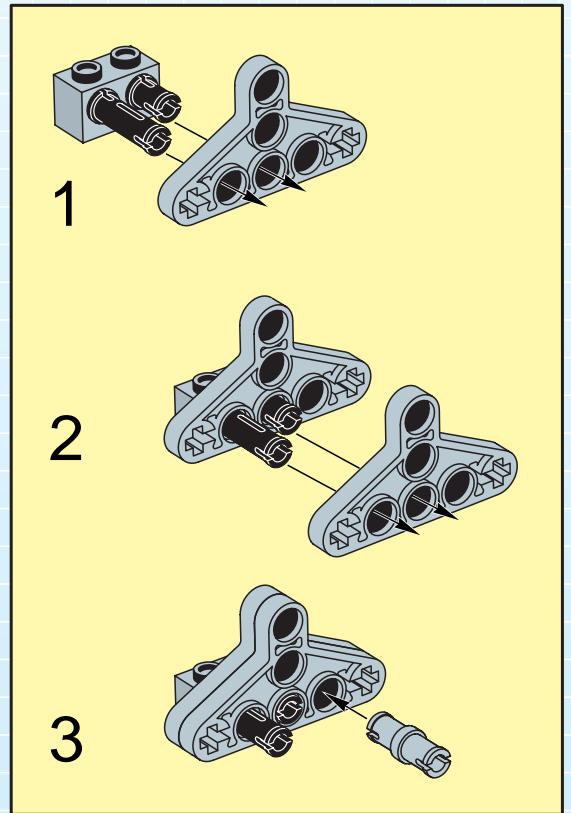
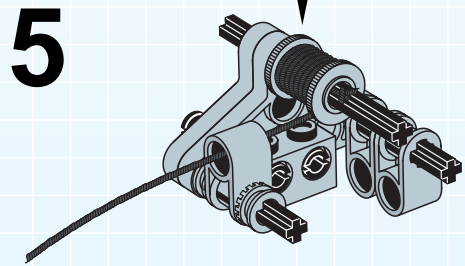
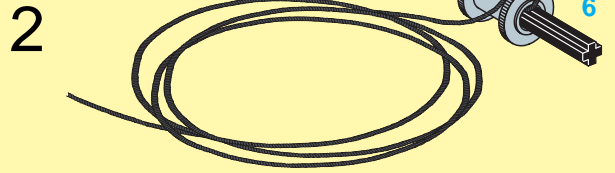
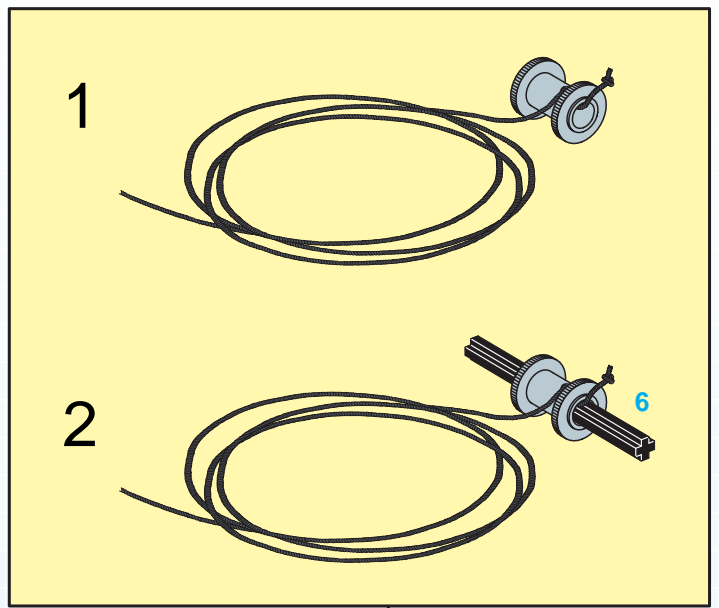
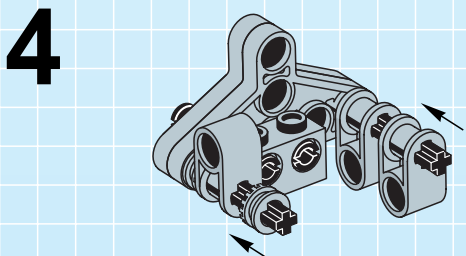
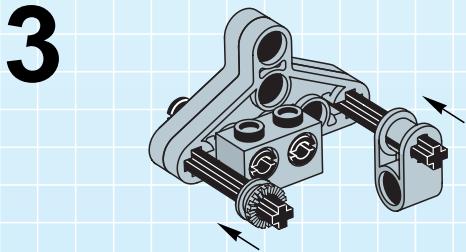
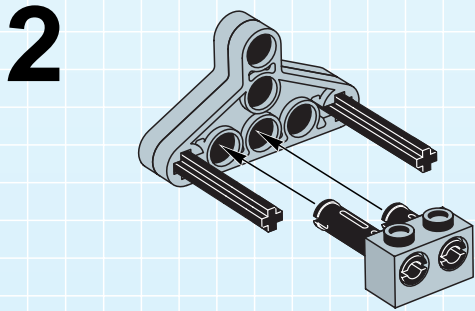
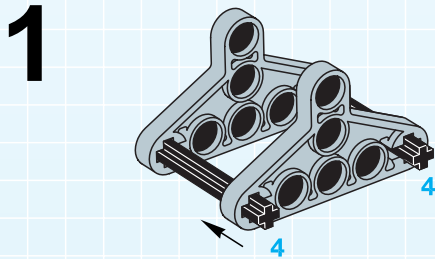


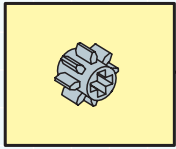
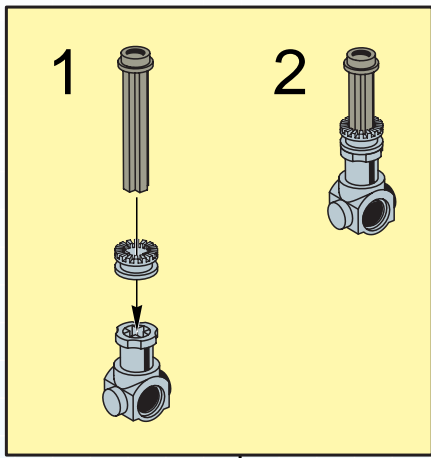
25



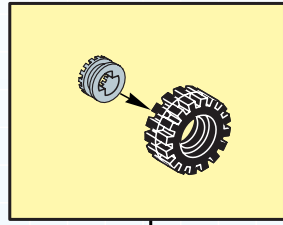
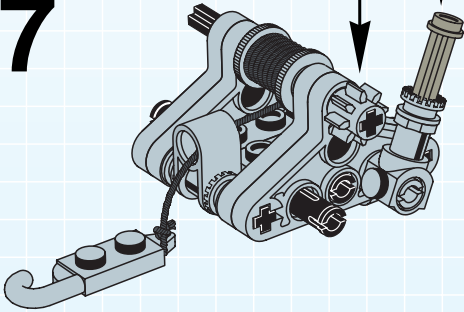


26

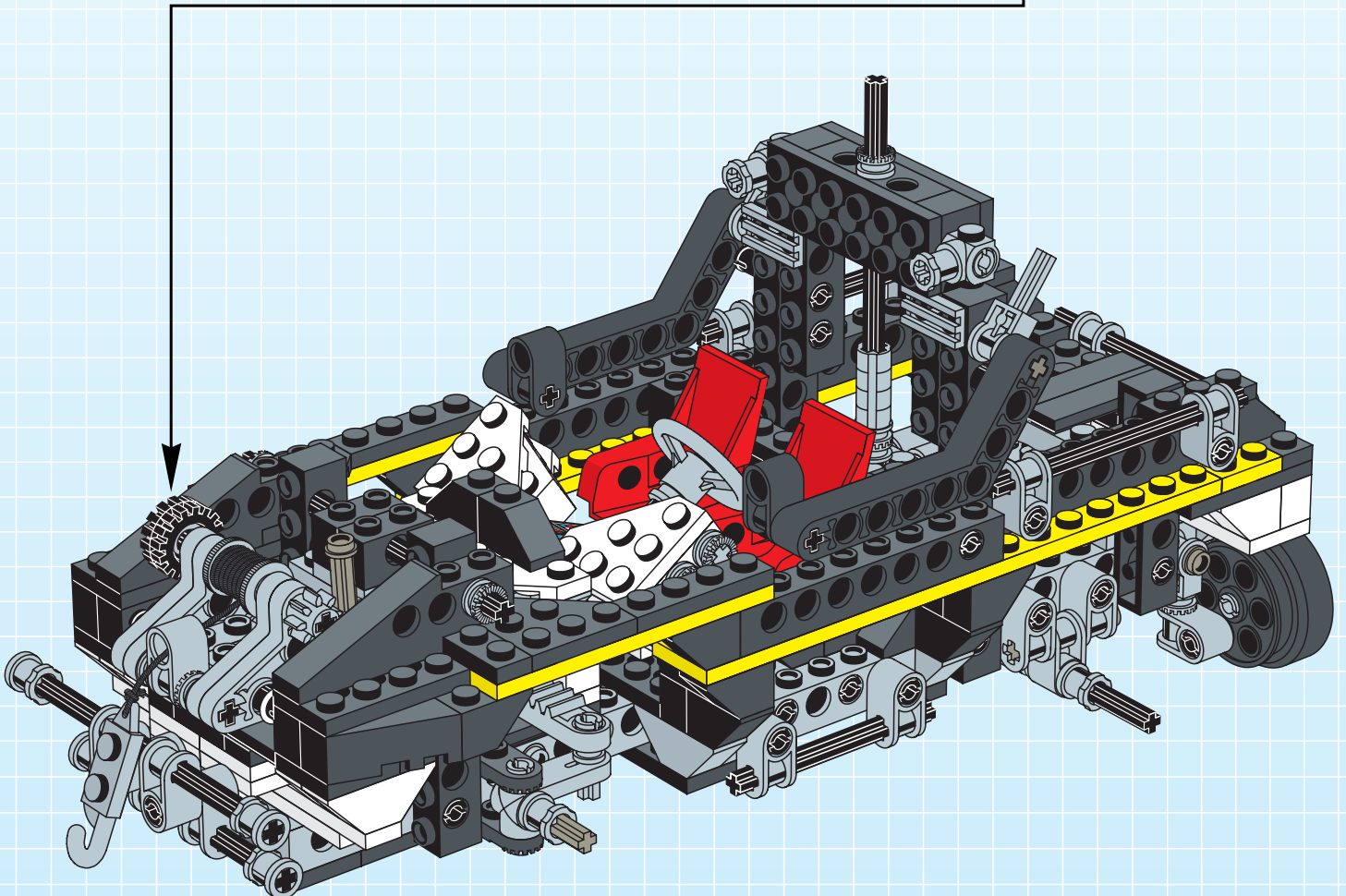
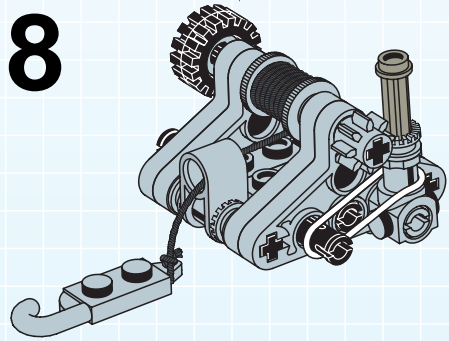


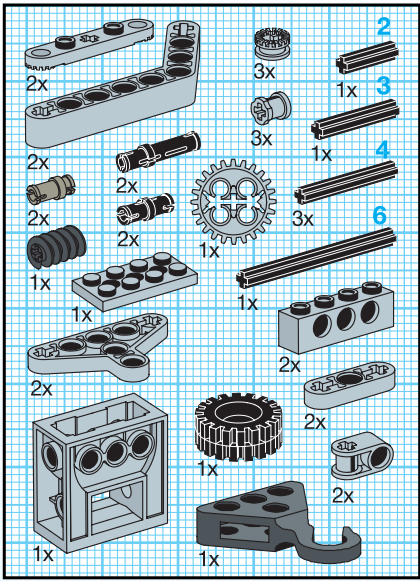


7



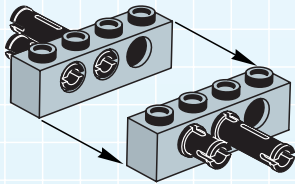
8



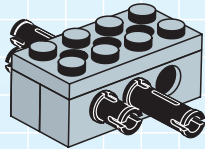


27

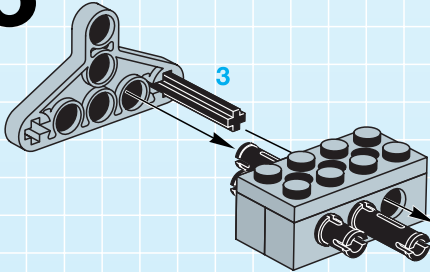
1



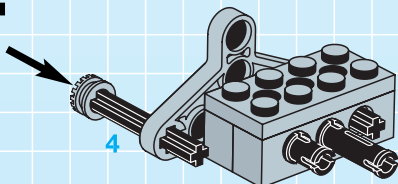
2



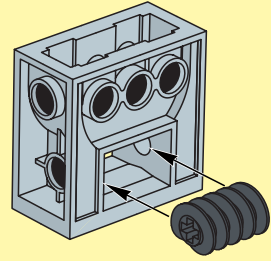
3



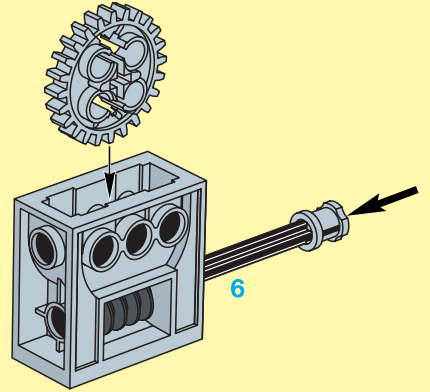
4



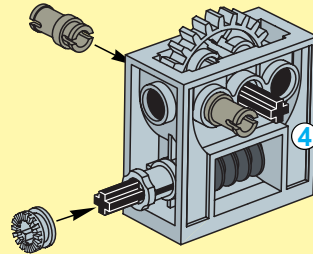
1



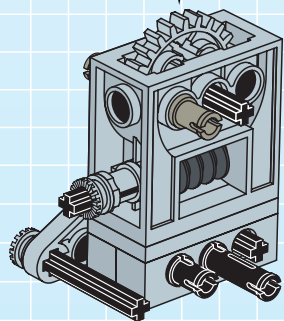
2



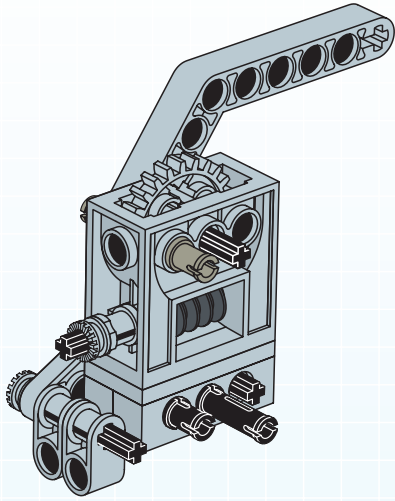
3



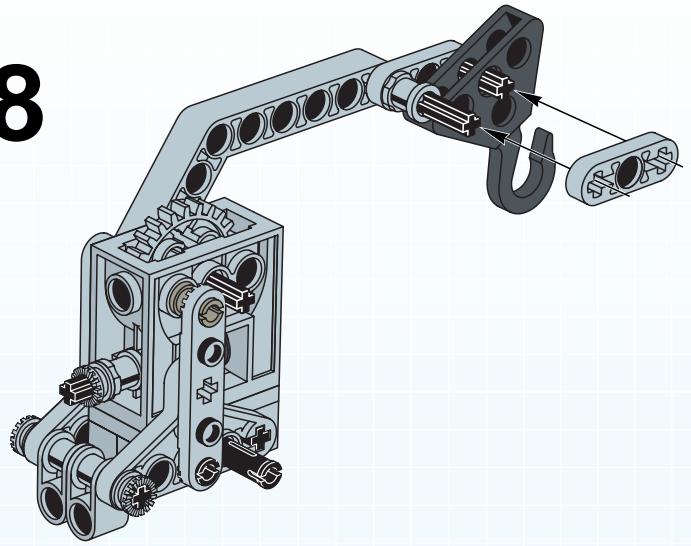
5



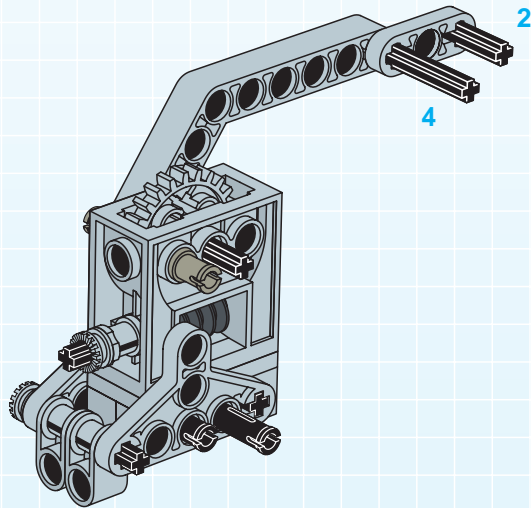
6



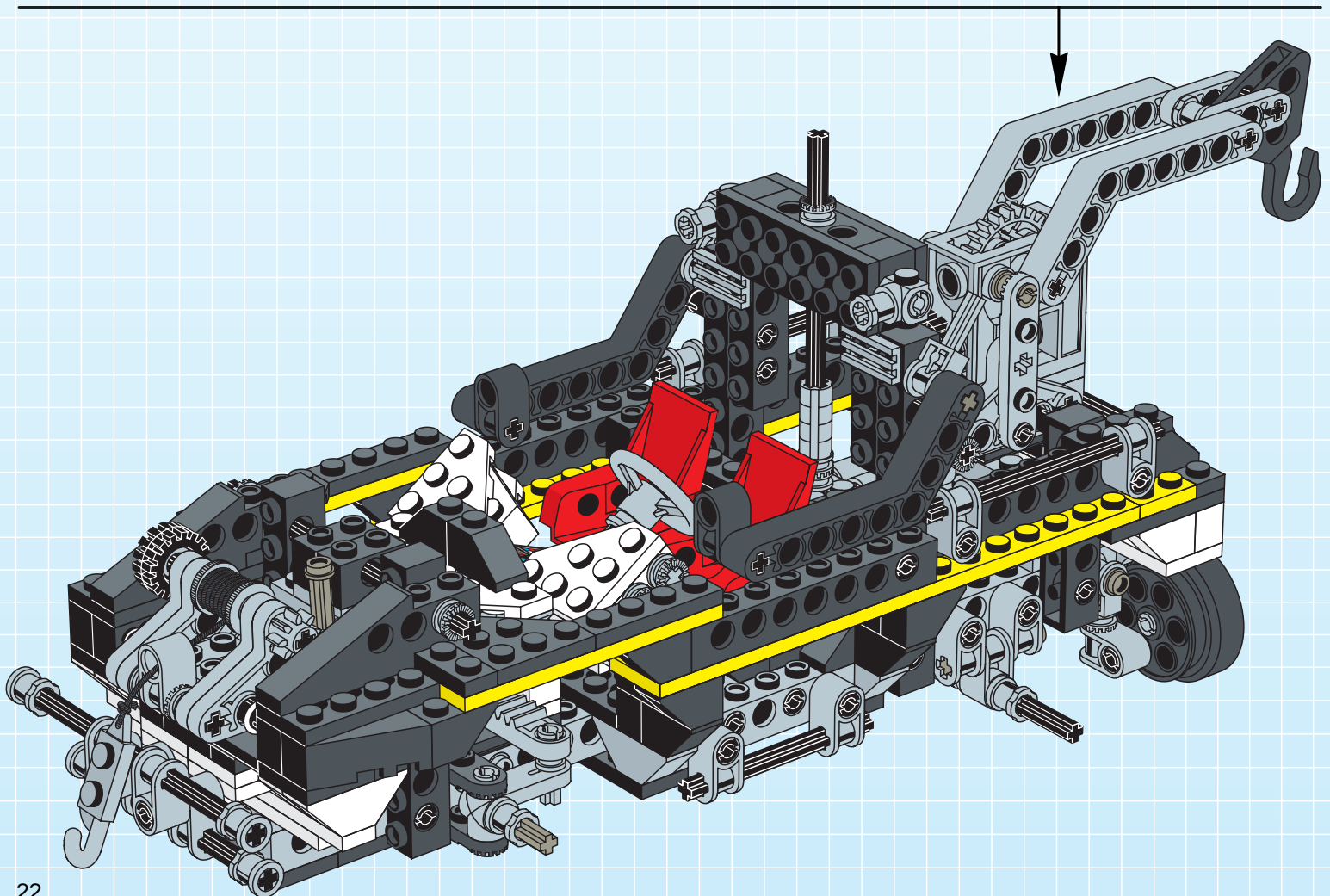
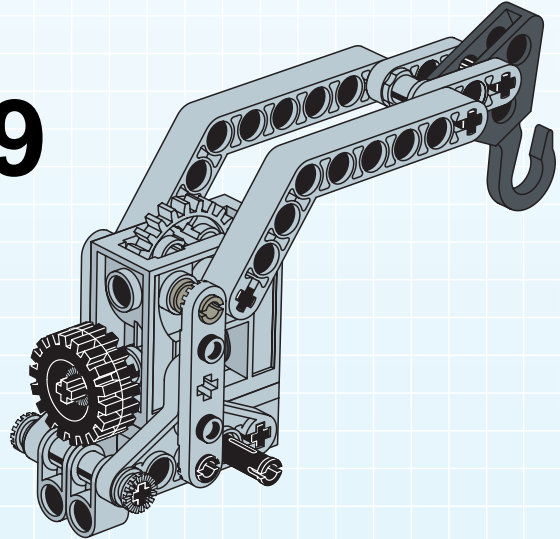
8

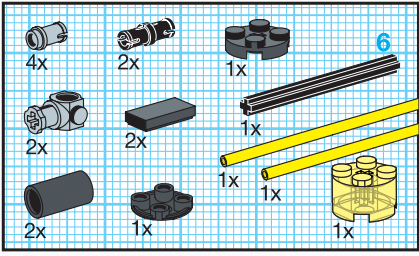


7

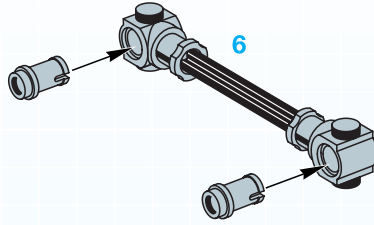


9





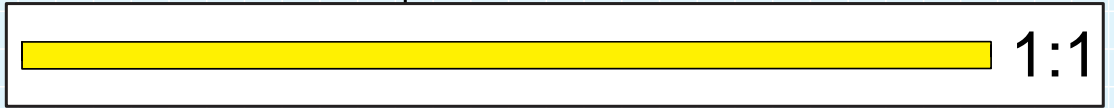
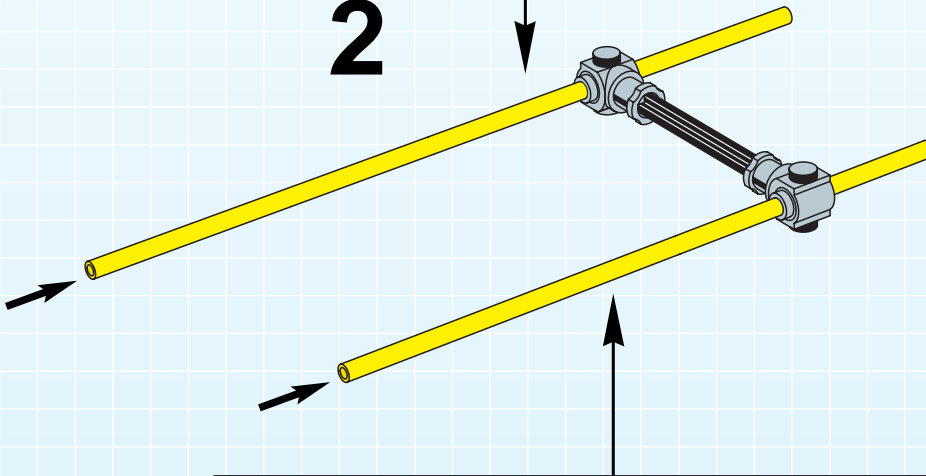
1



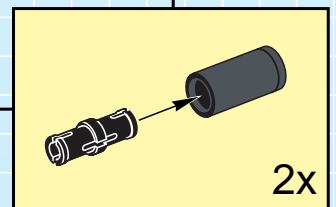
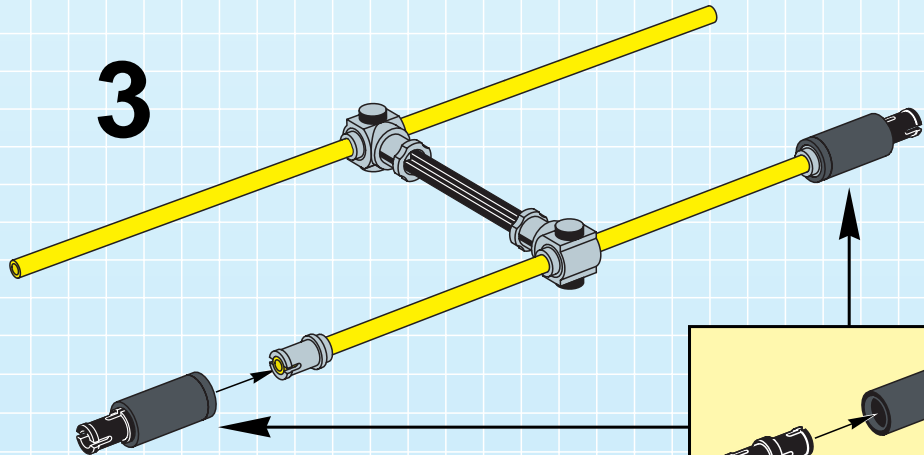
28

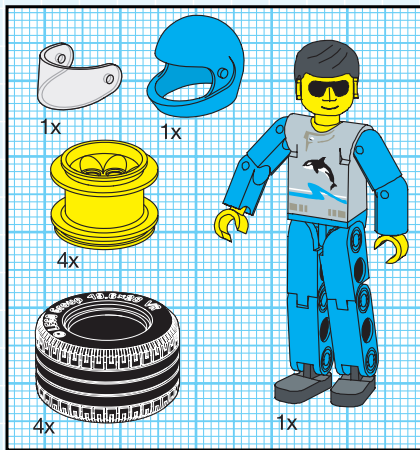
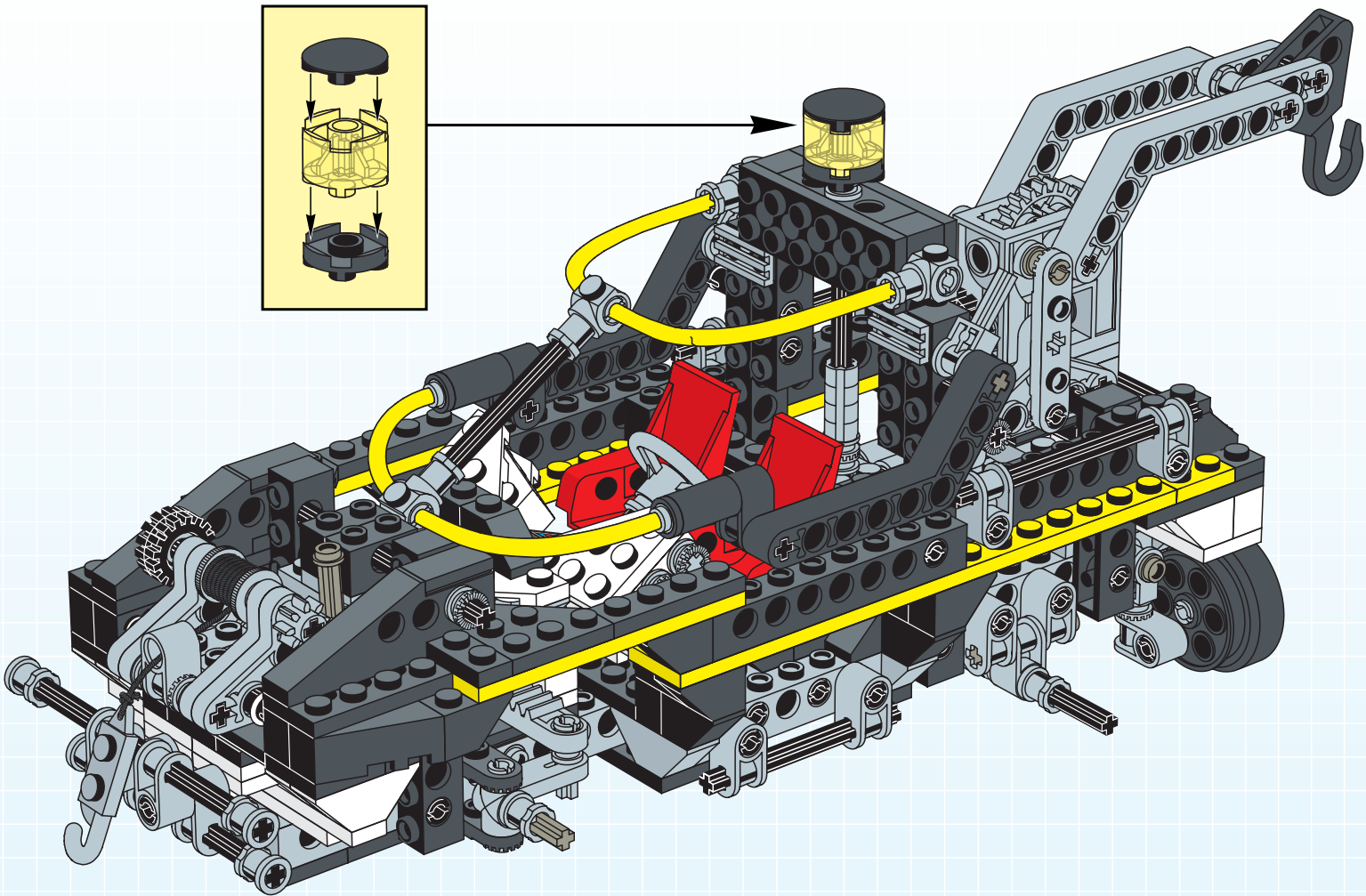


2

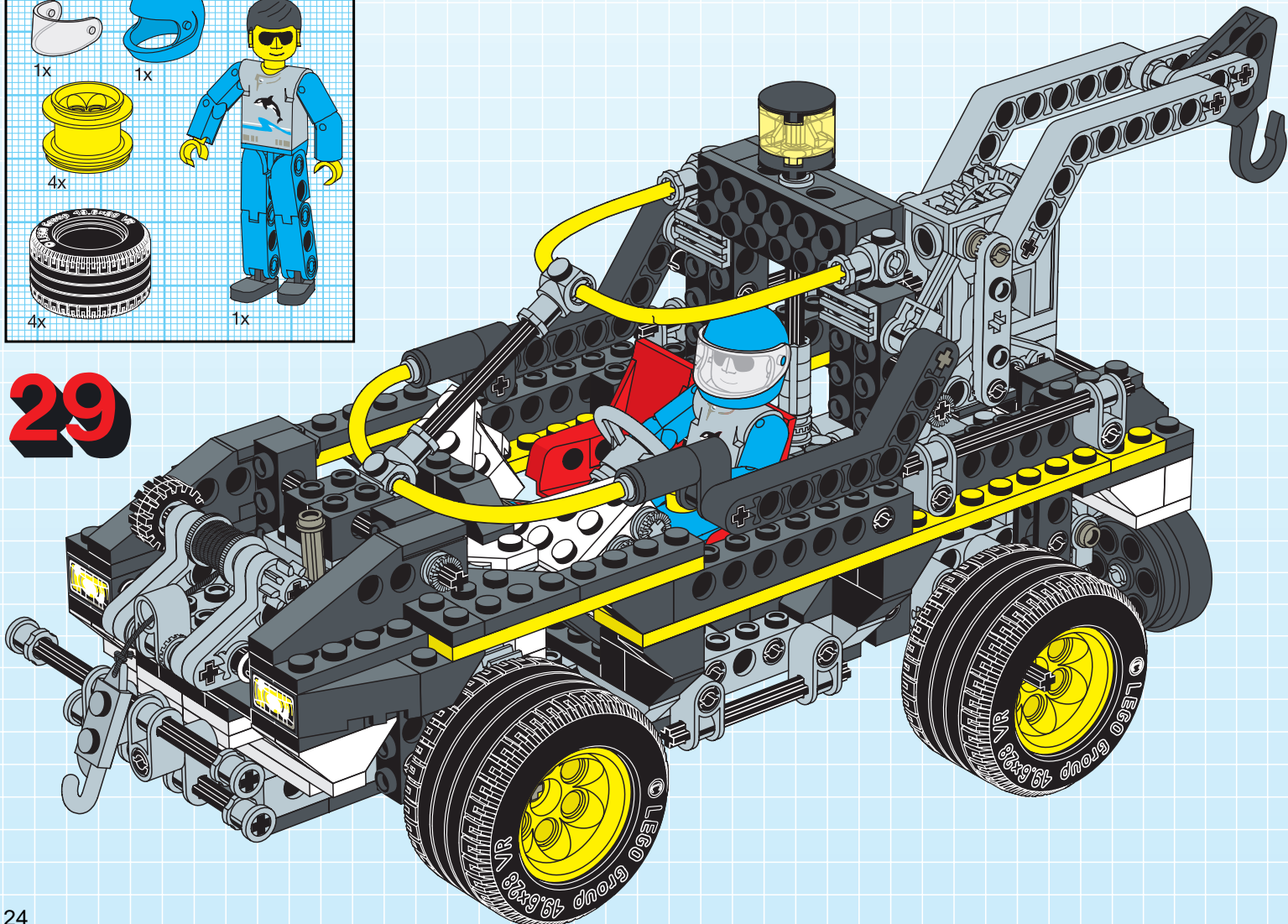


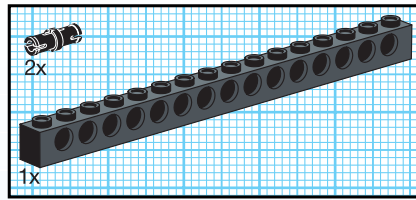
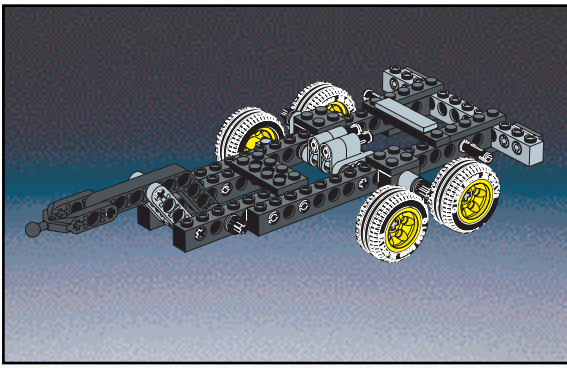
3



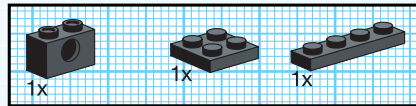
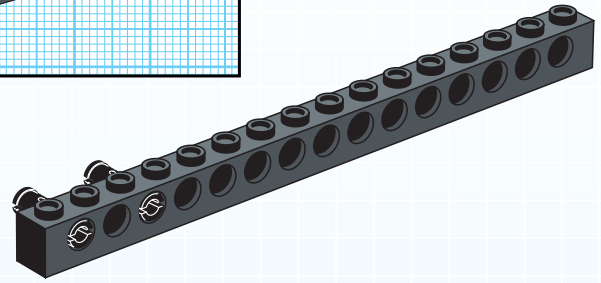


29

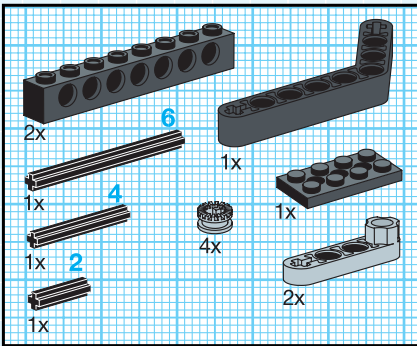
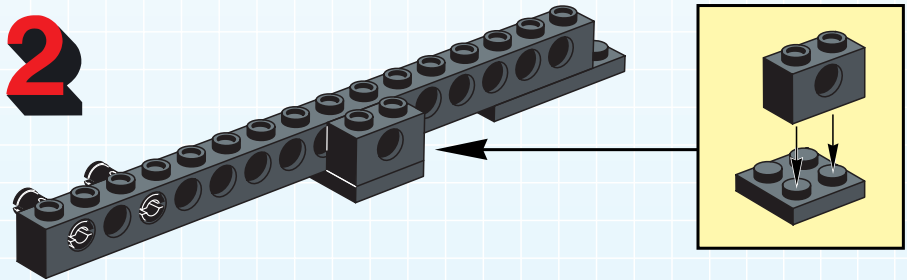




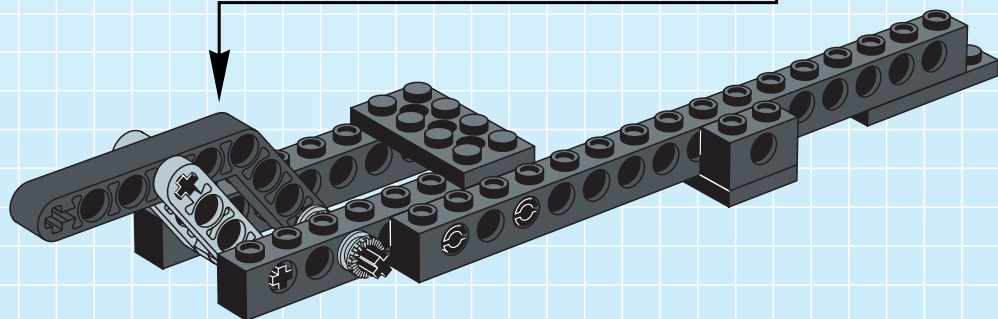
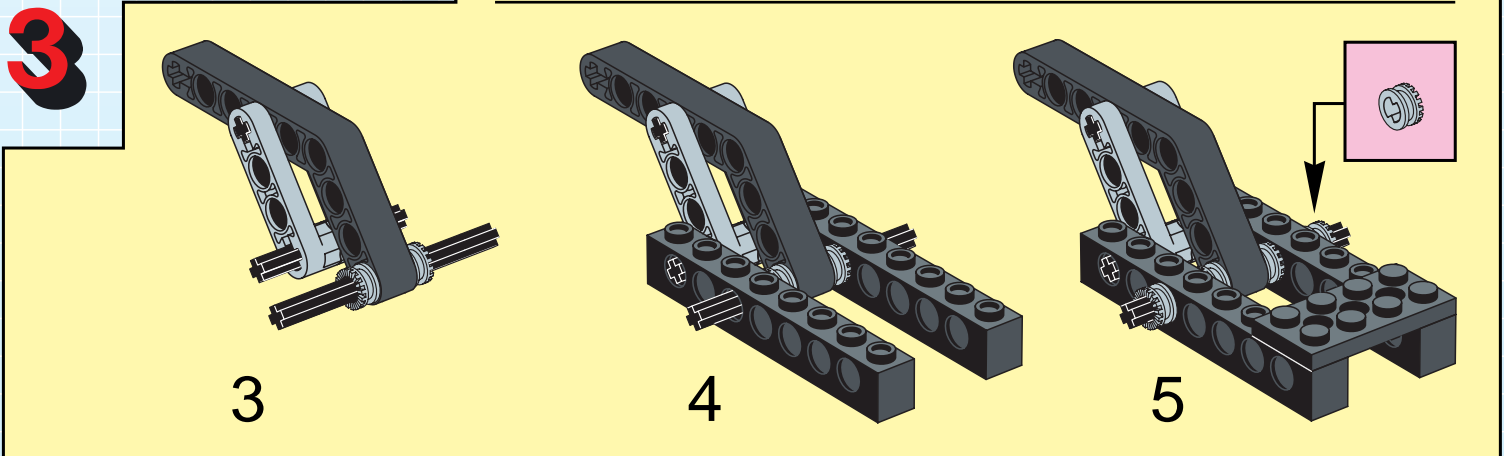
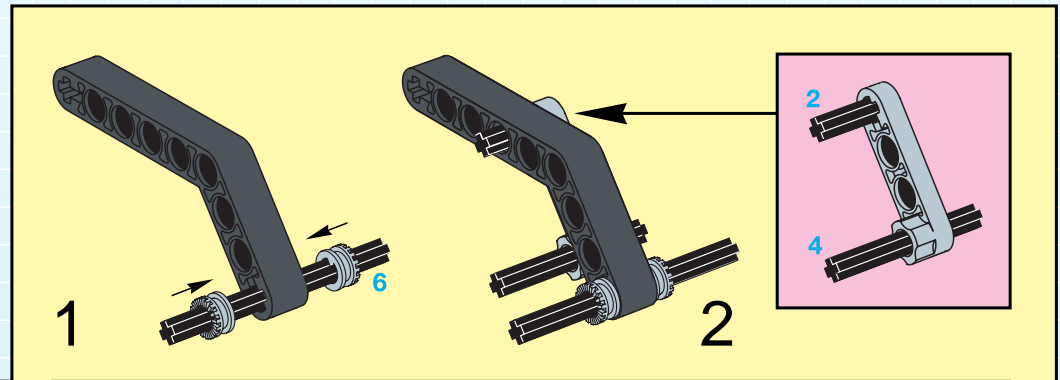
1

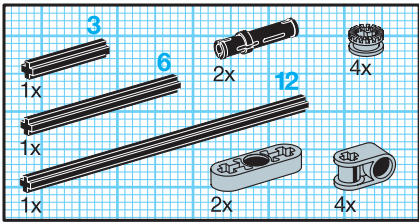


2

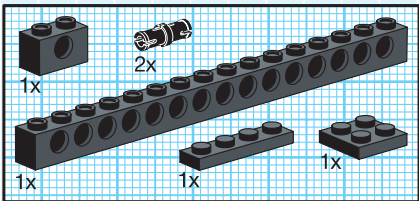
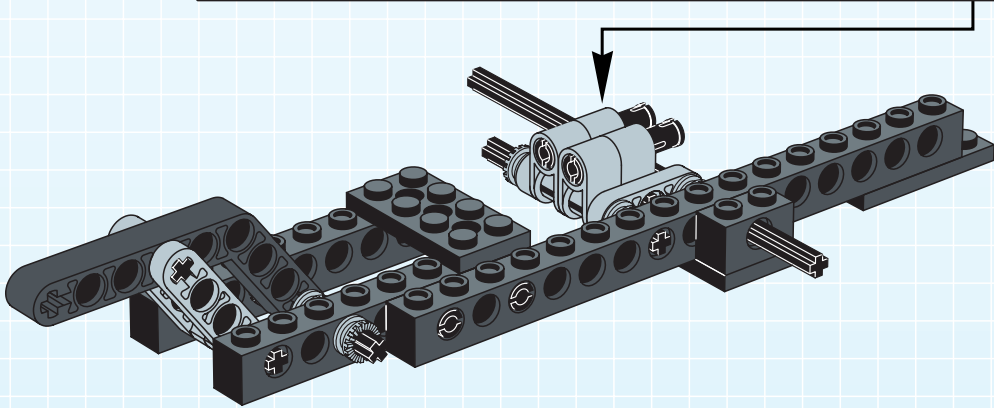
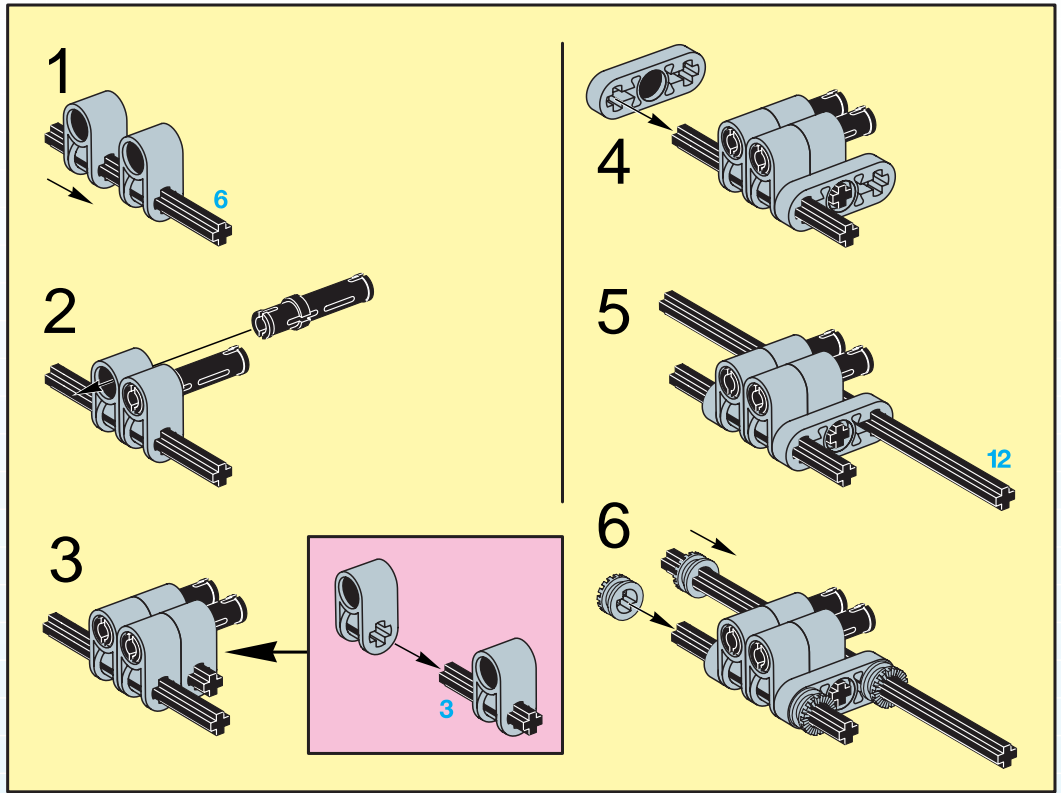


3

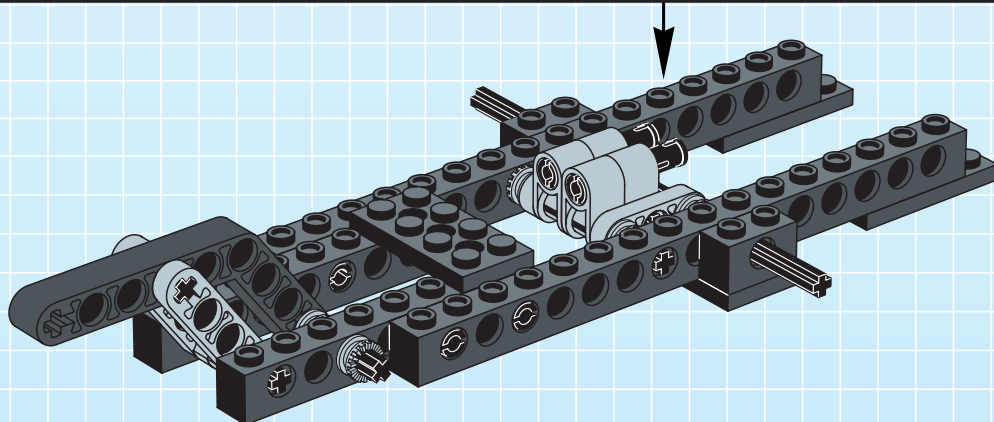
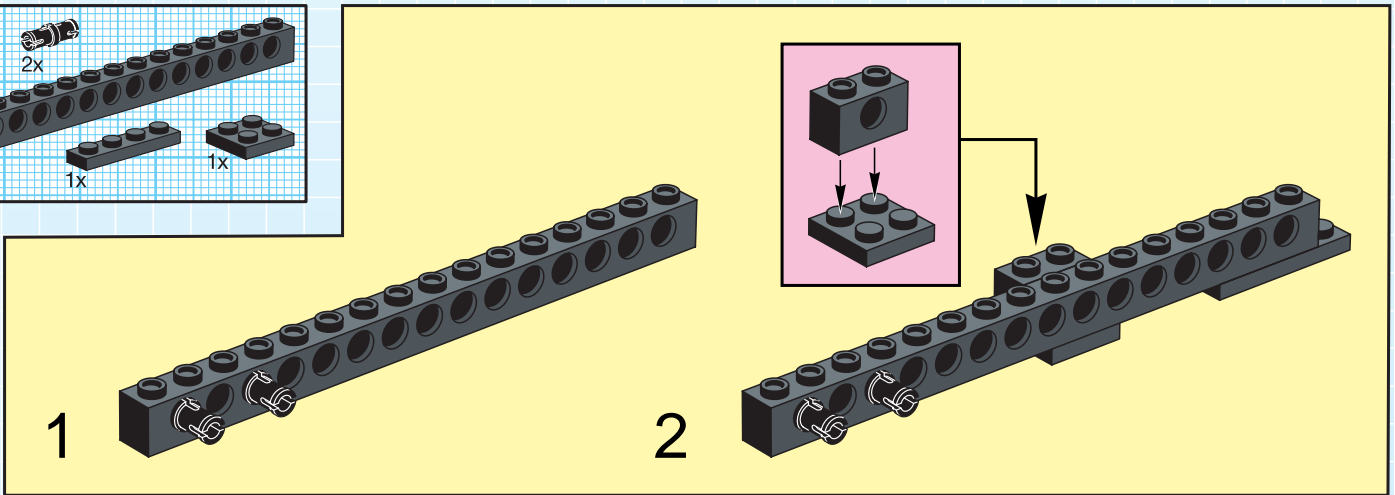


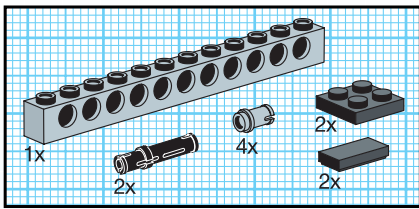


4

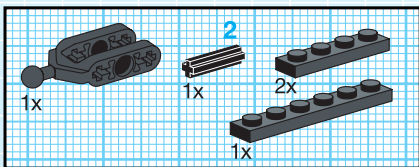
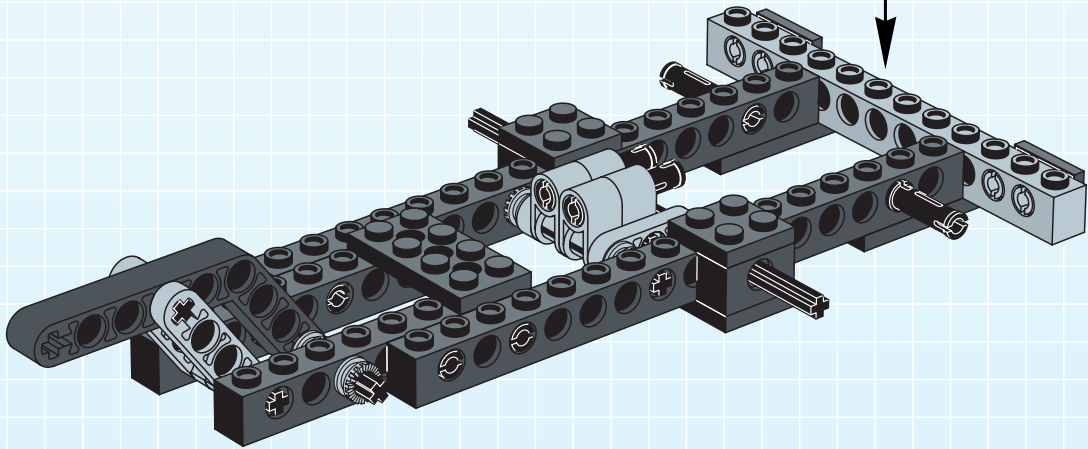
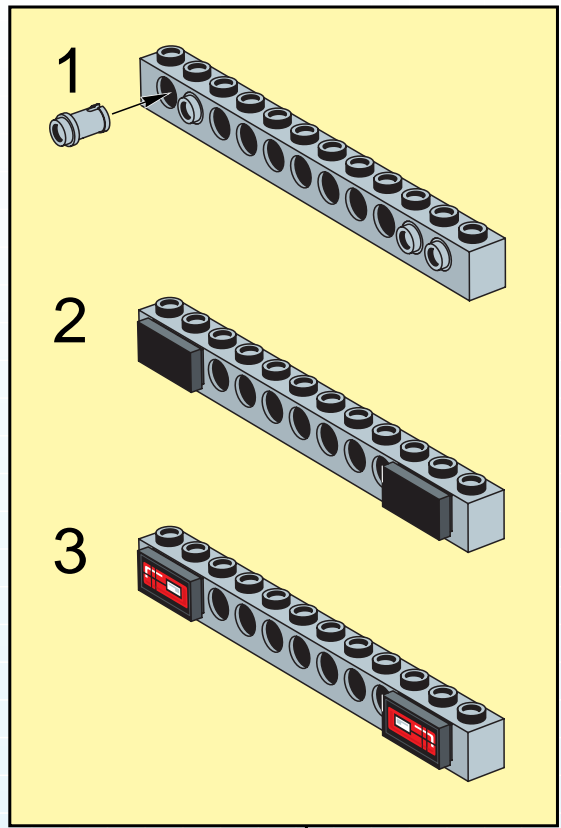


5

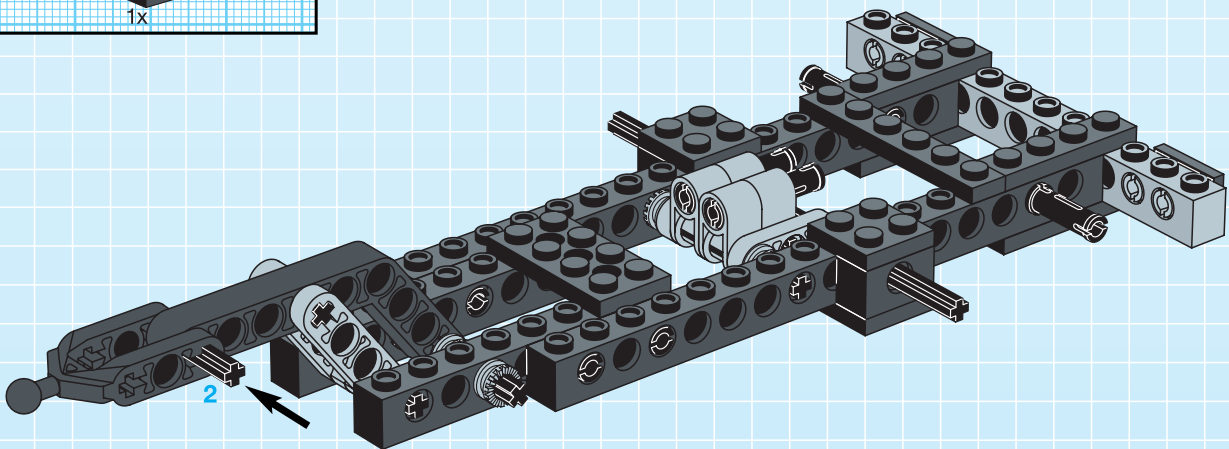


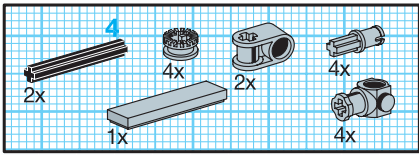


6

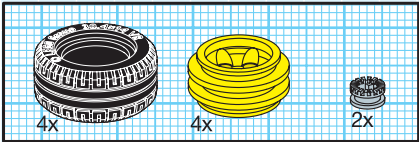
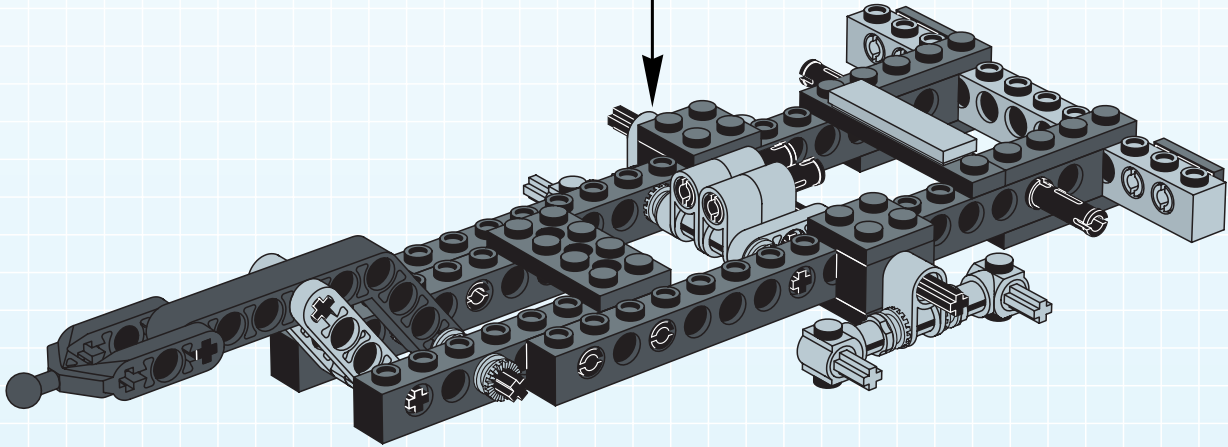
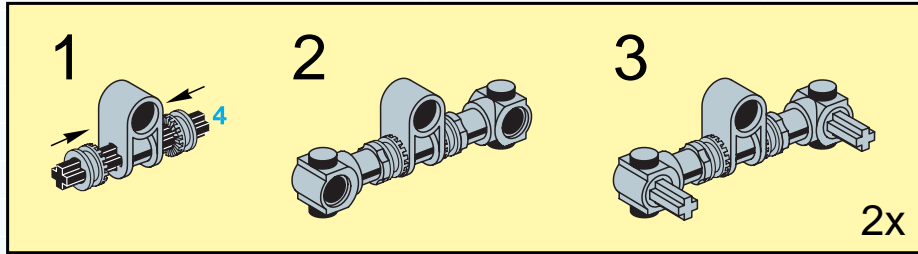


7

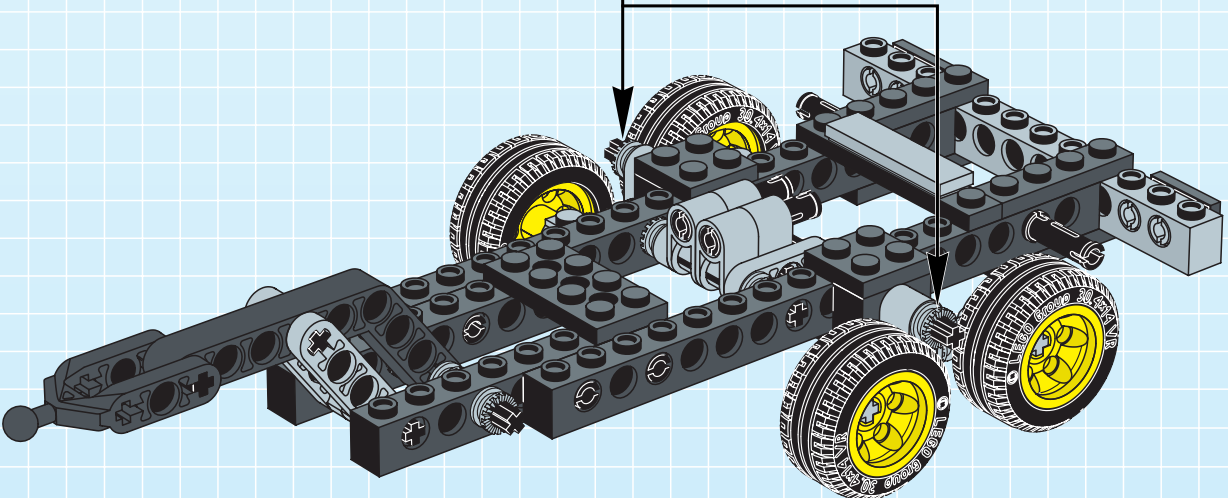
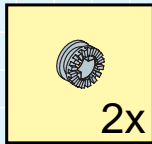


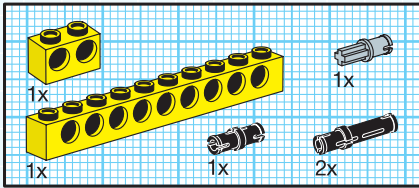
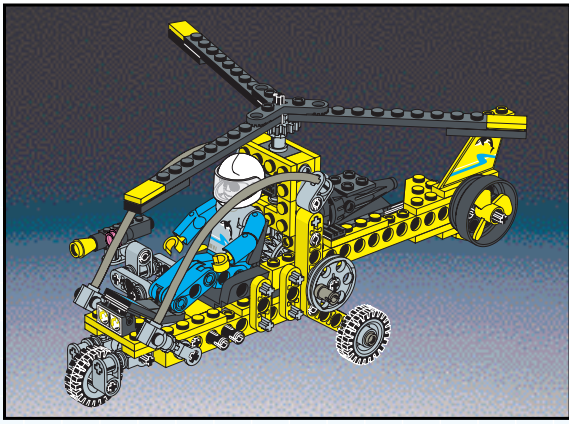


8

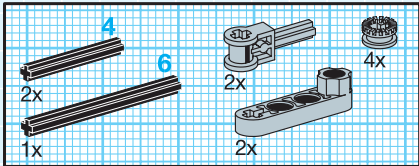
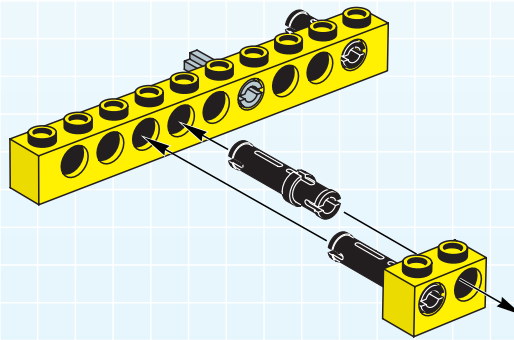


9

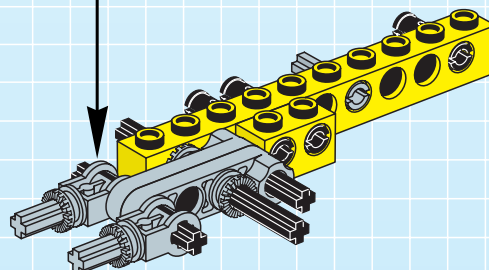
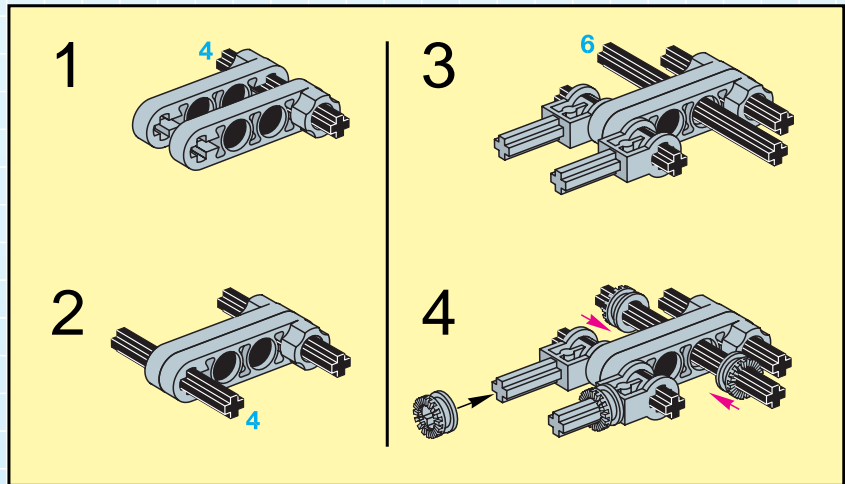


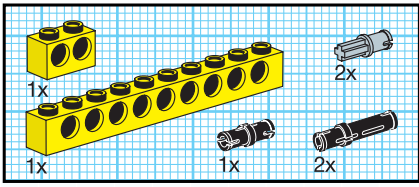


1

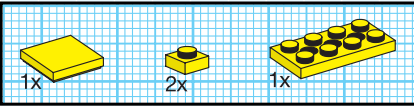
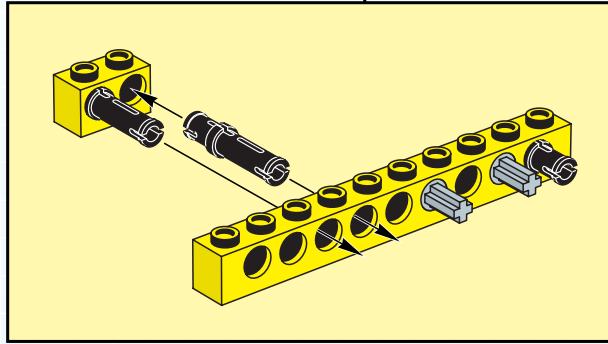
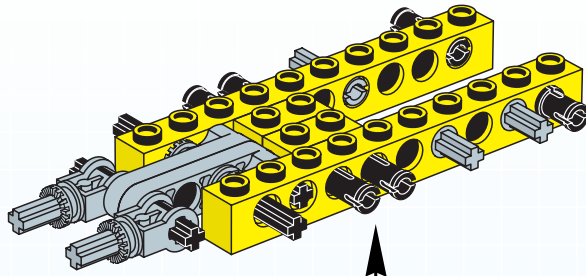


2

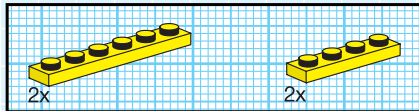
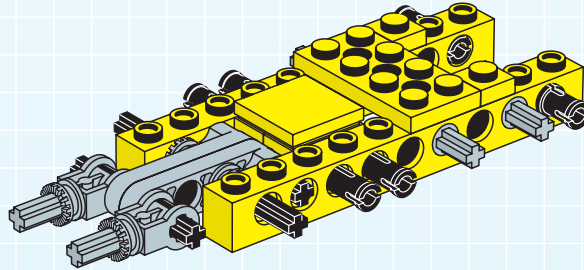




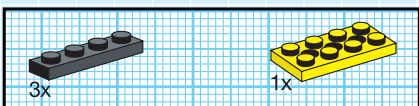
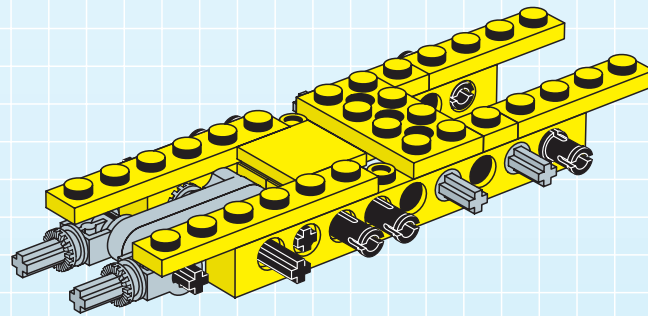
3



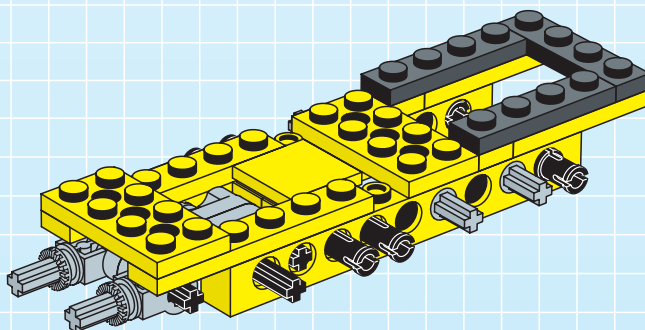
4

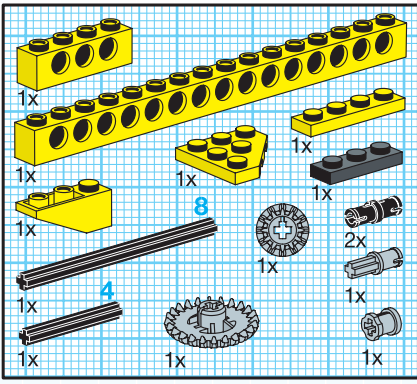


5

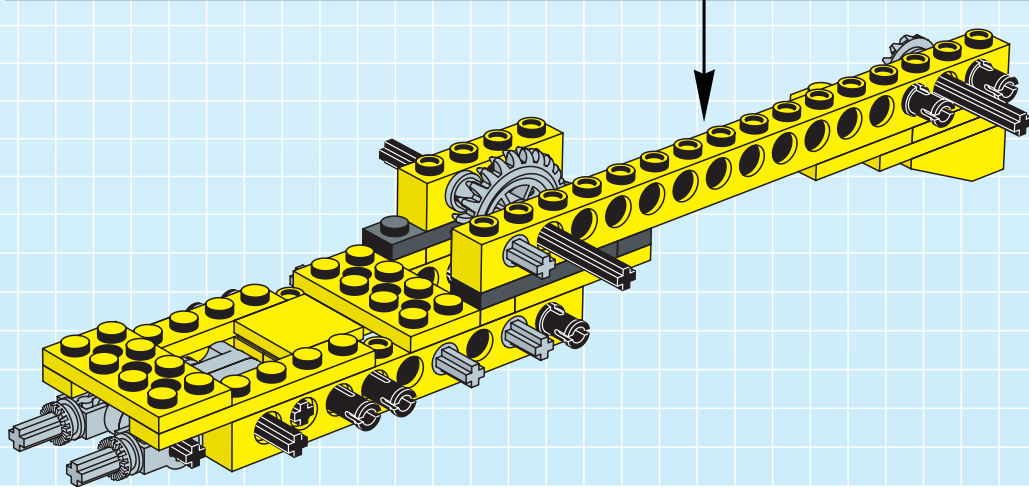
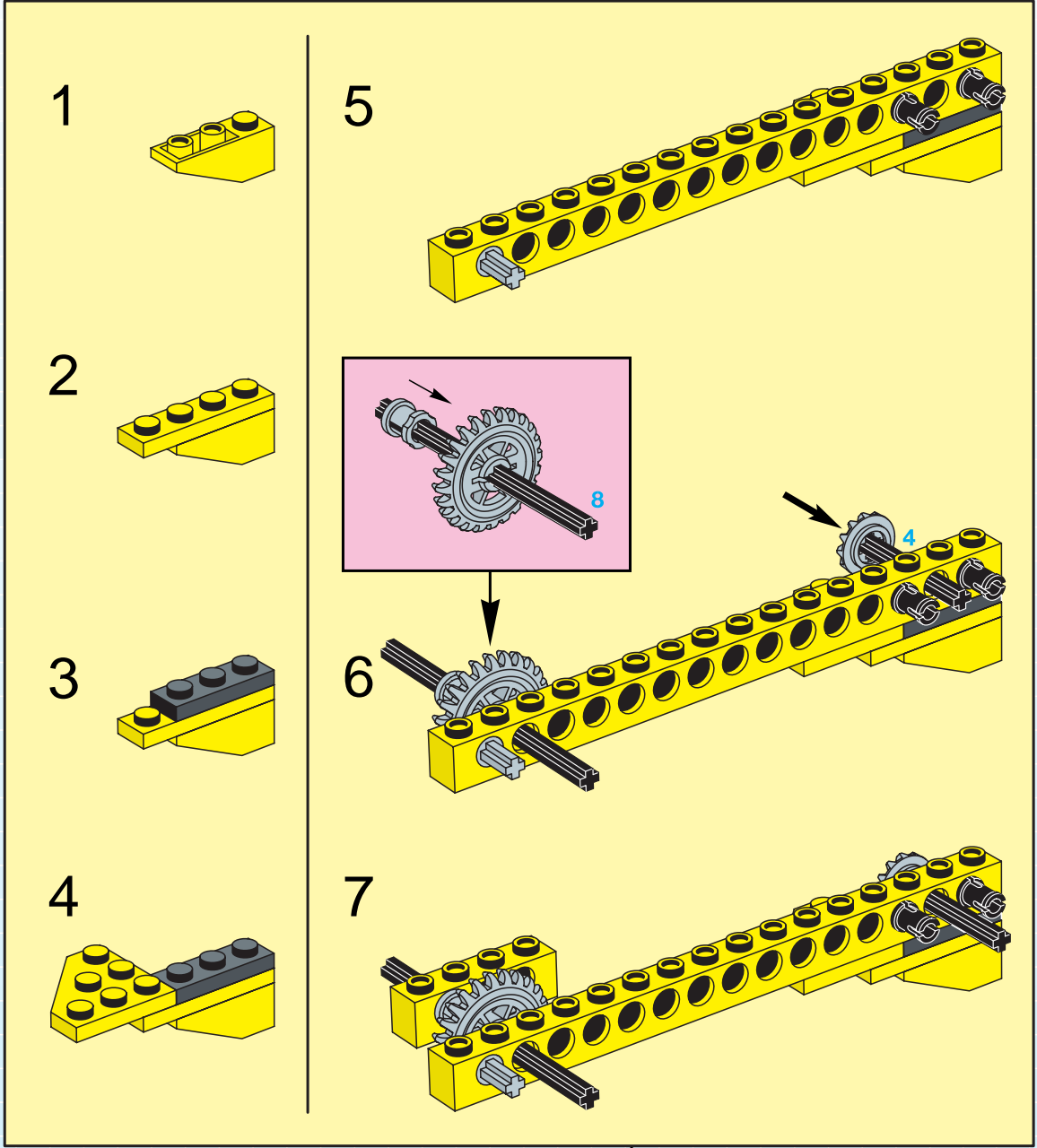


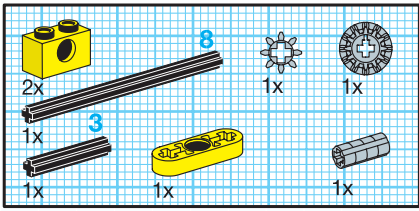
6



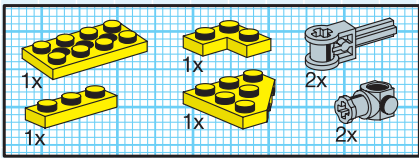
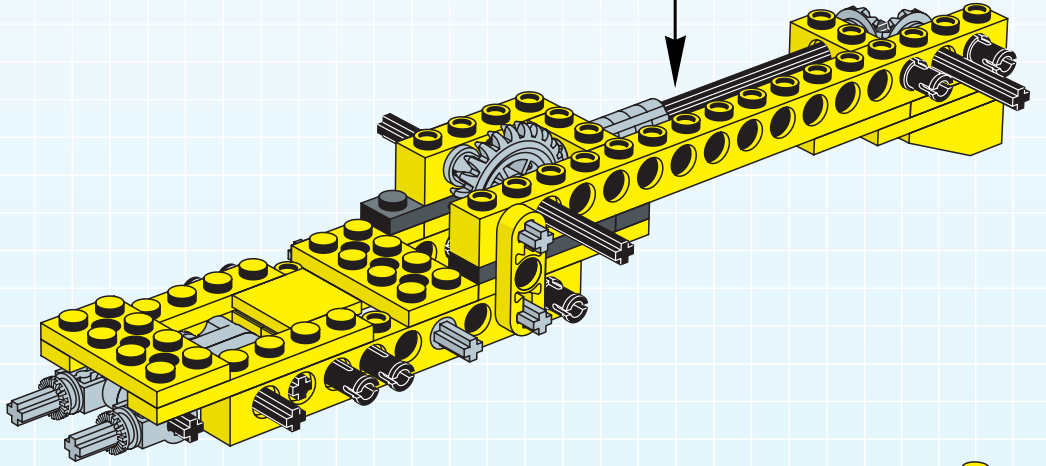
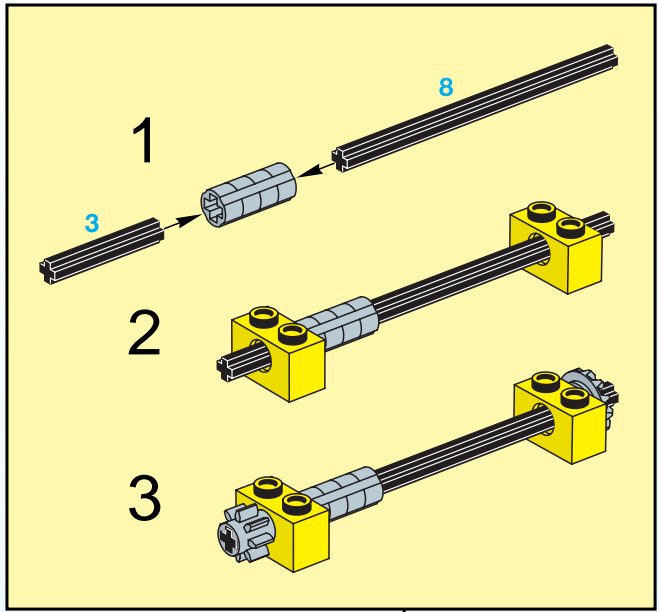


7

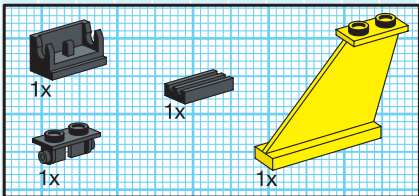
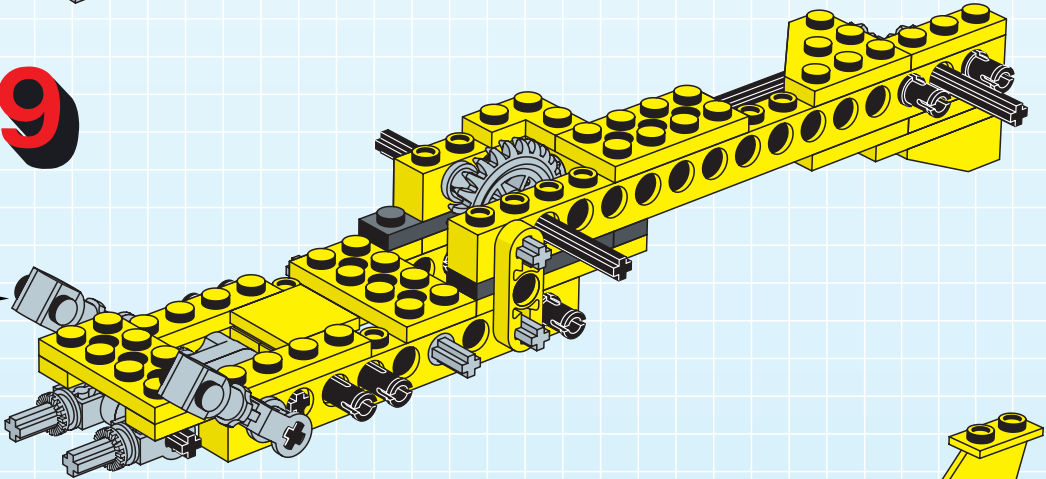
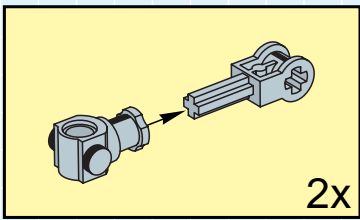




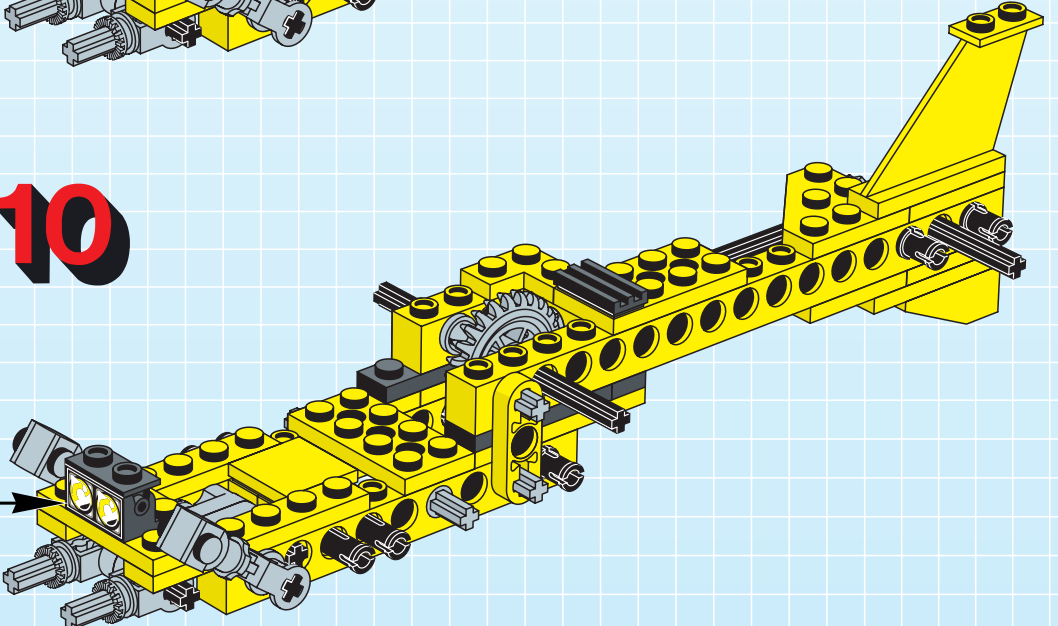
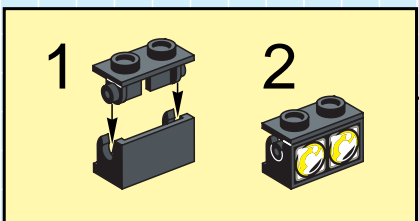
8

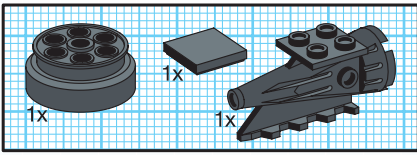


9

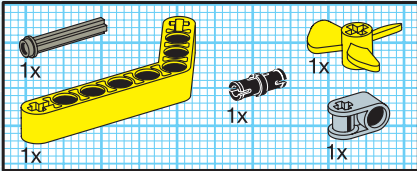
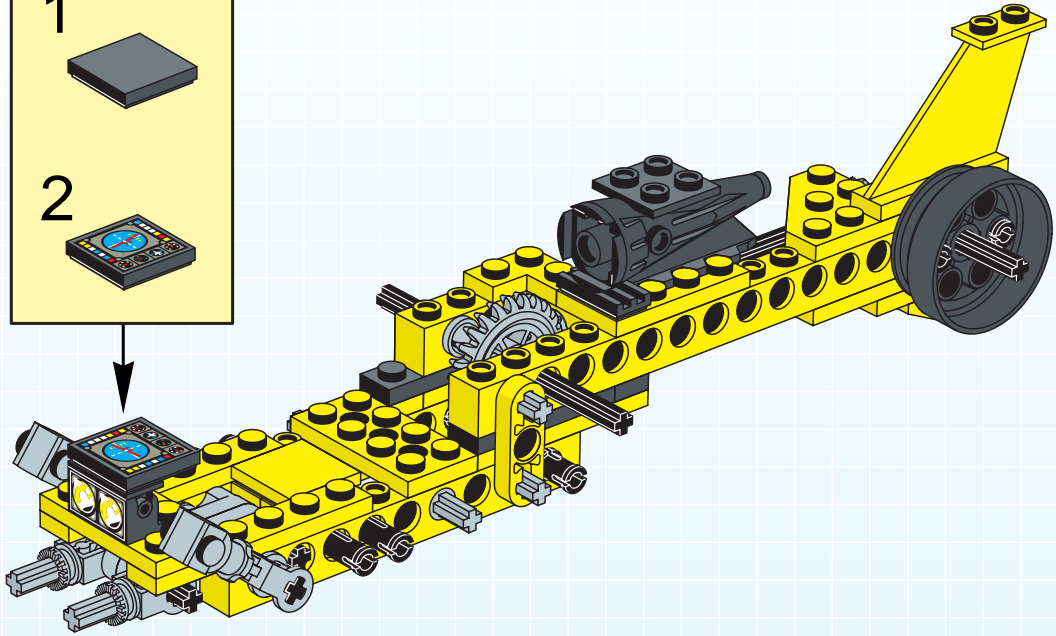
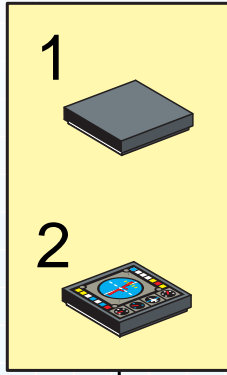


10

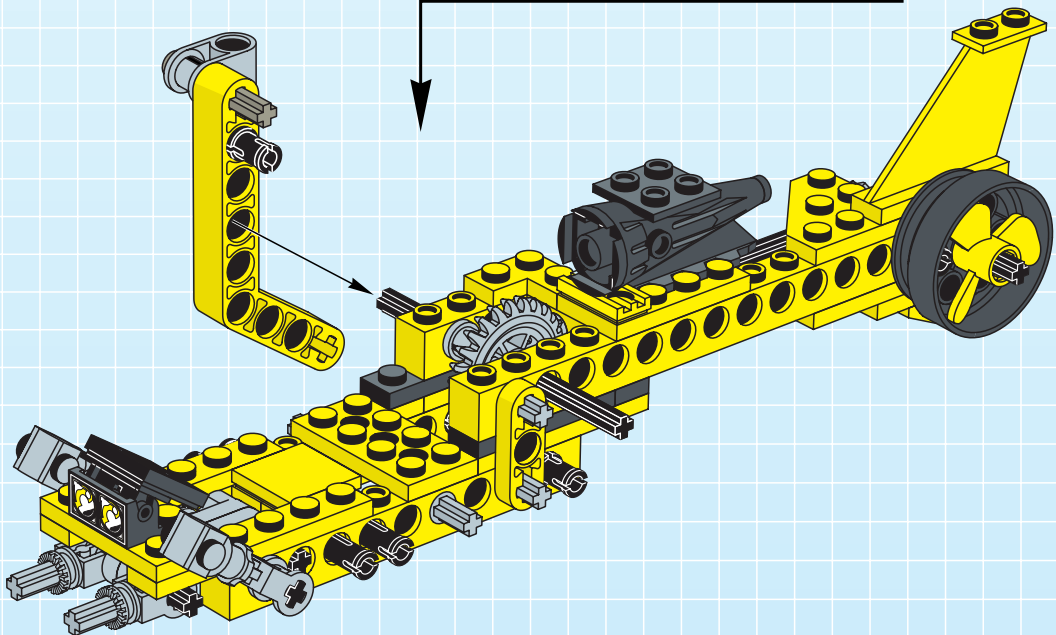
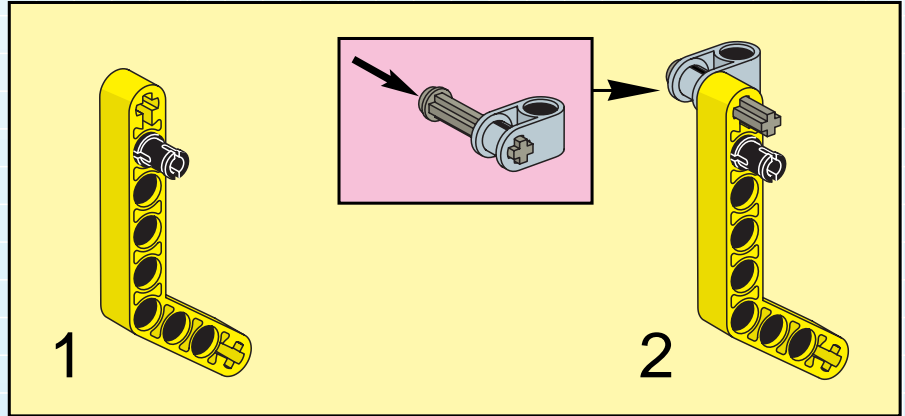


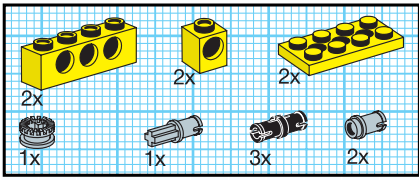


11

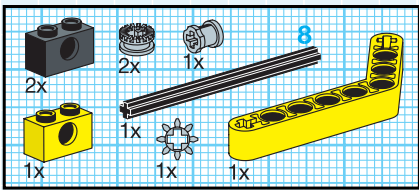
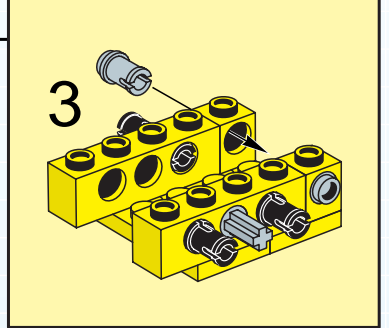
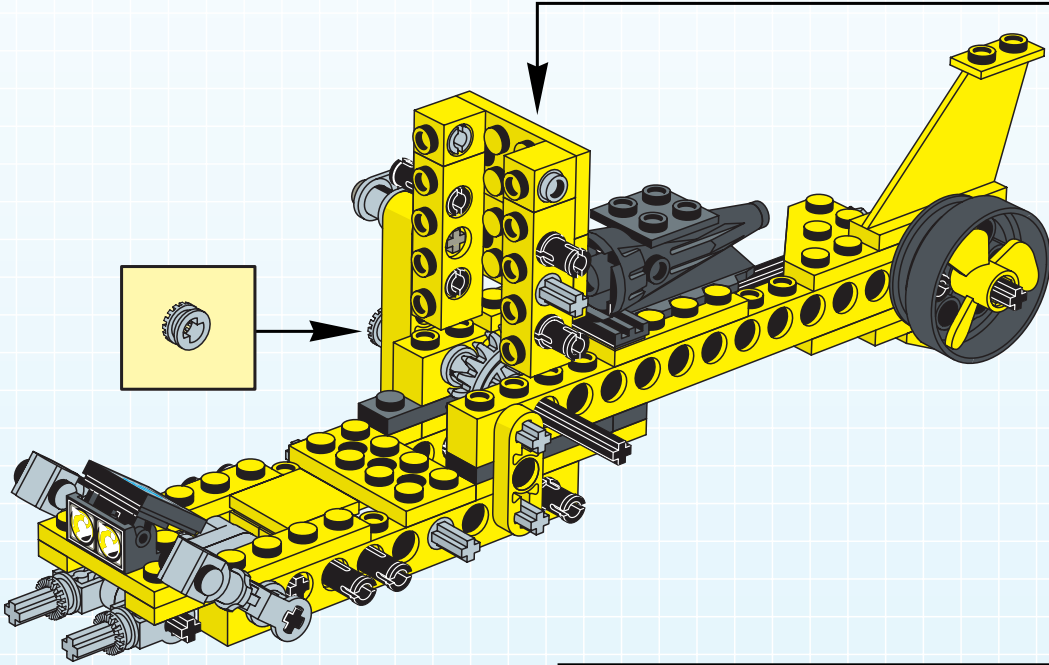
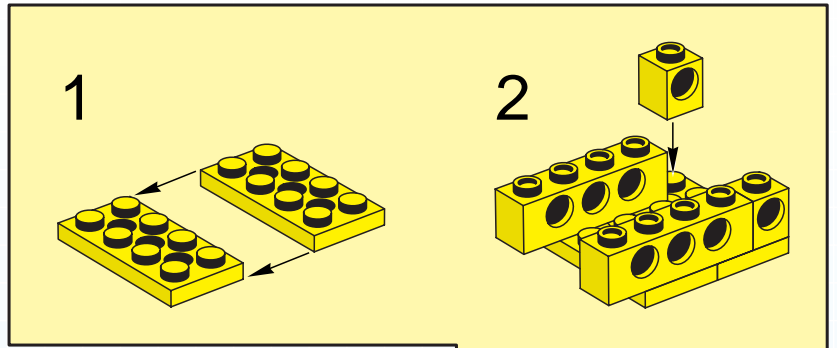


12

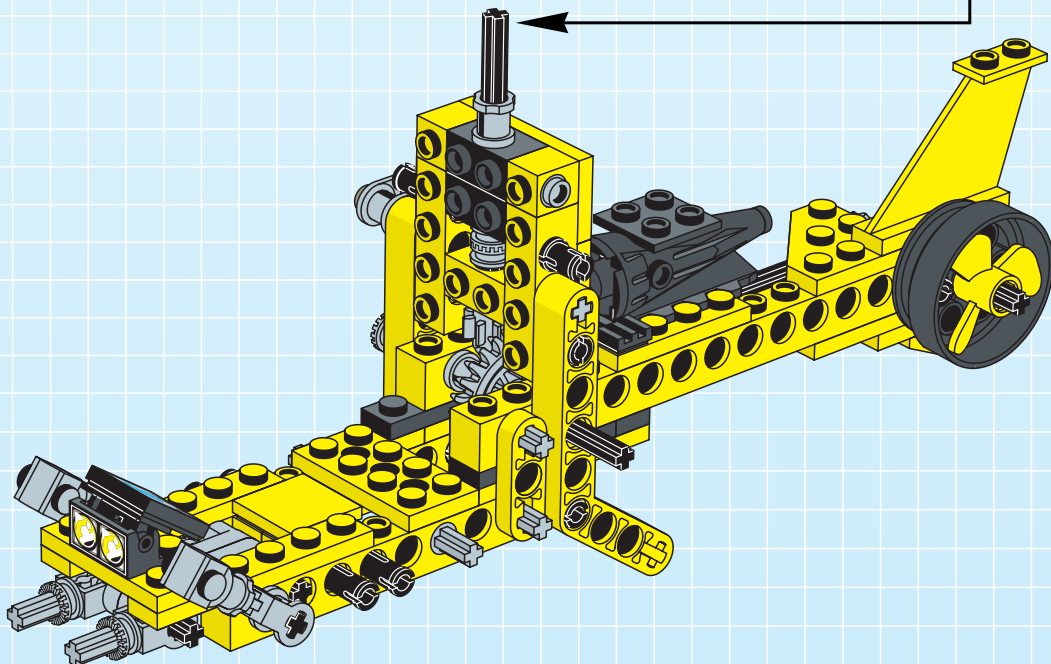
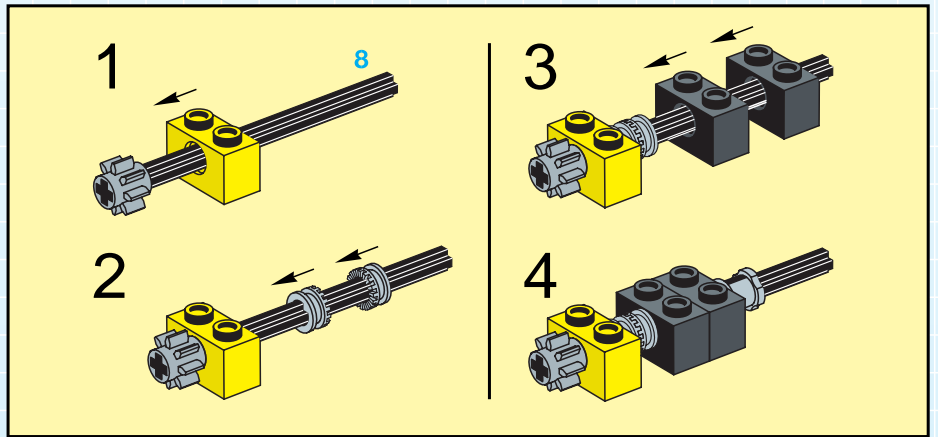


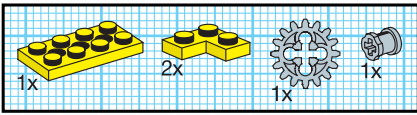


13

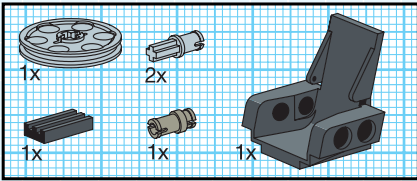
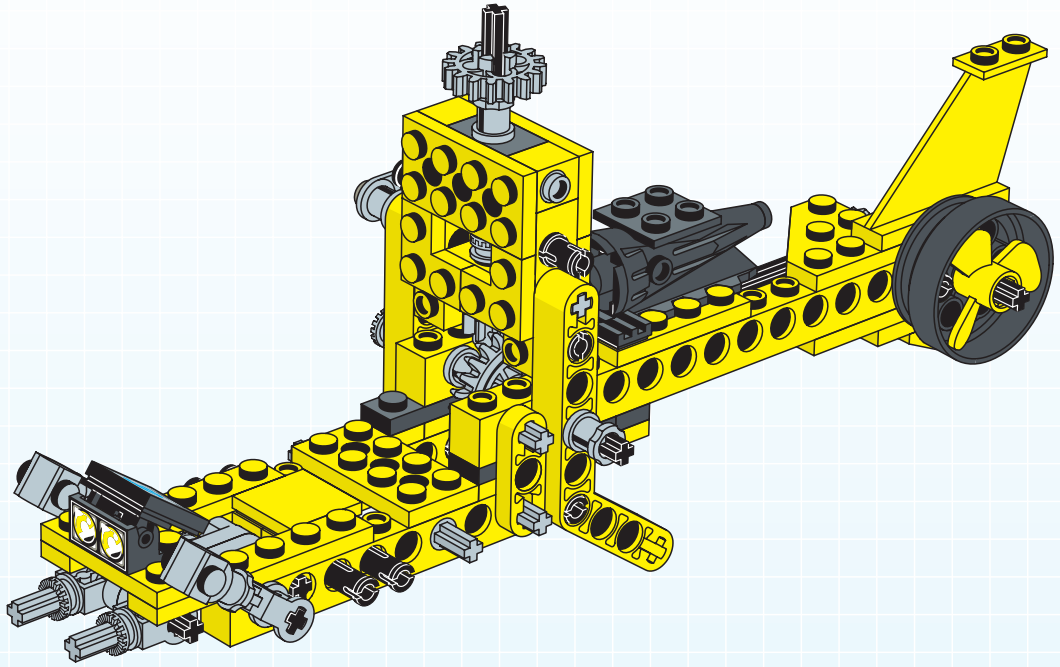


14

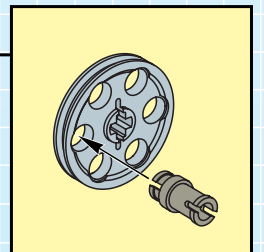
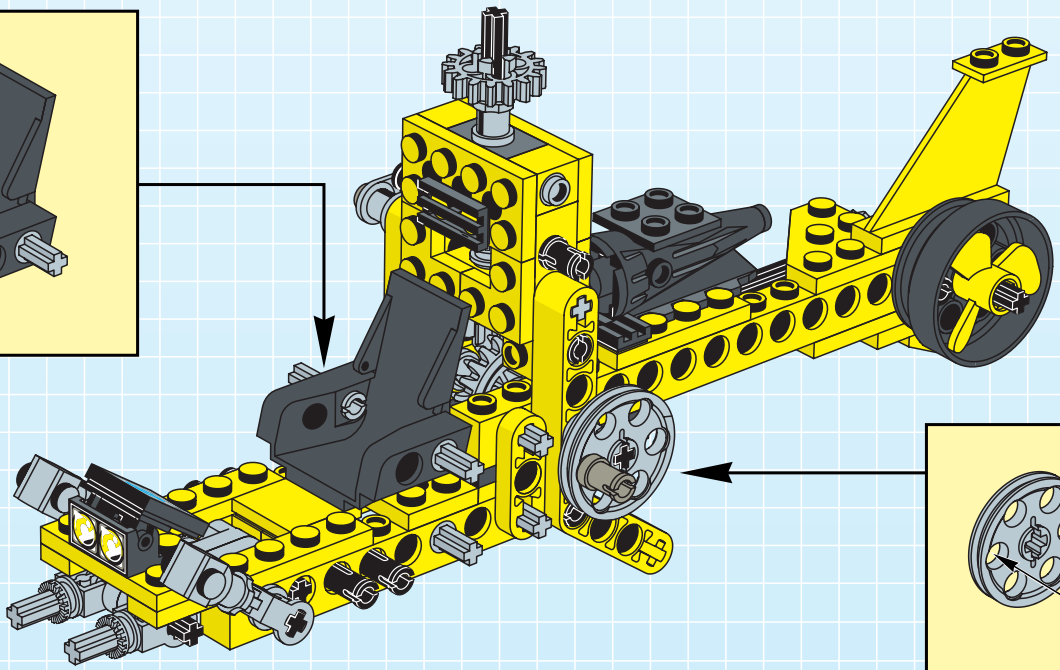
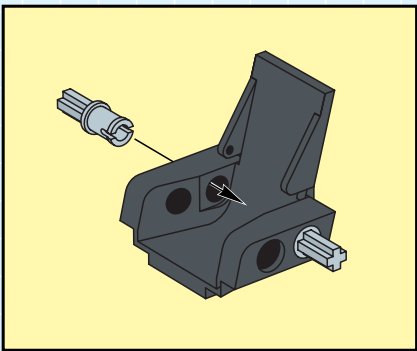


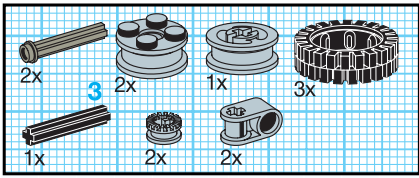


15

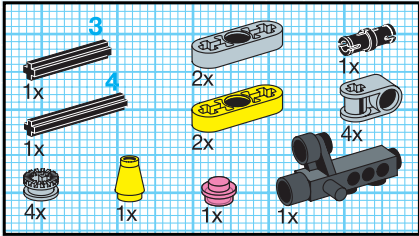
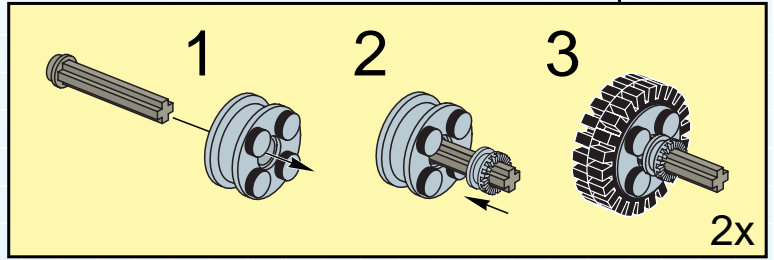
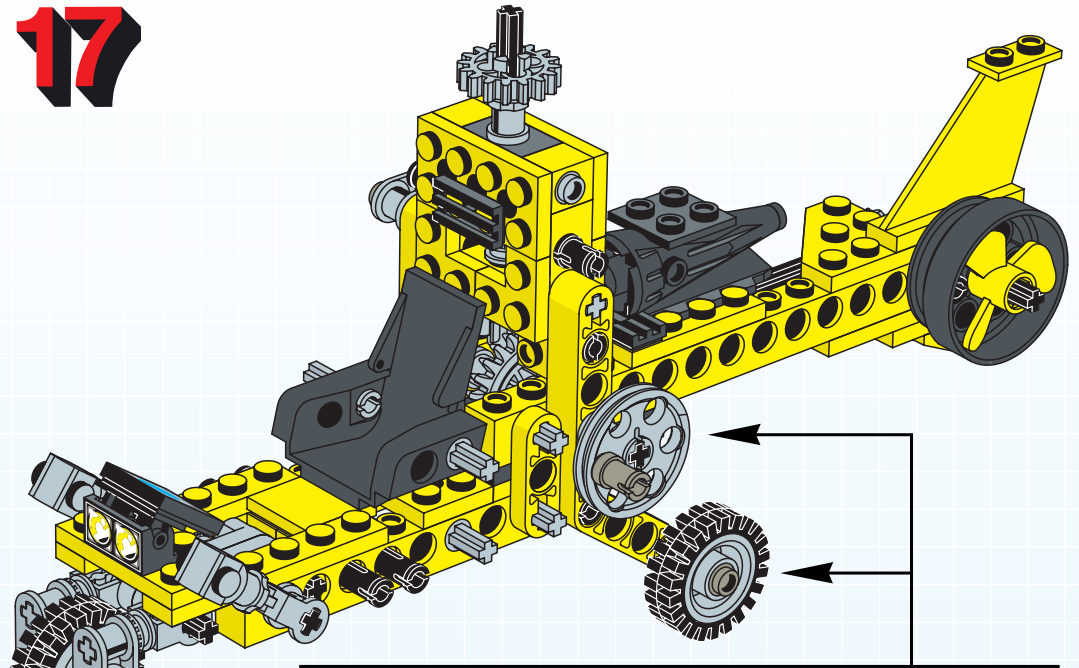
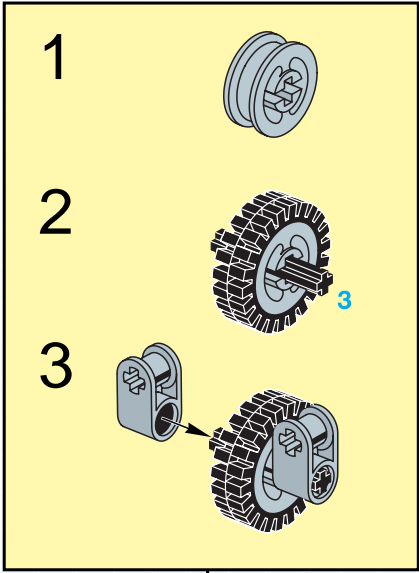


16

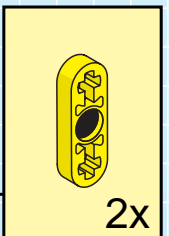
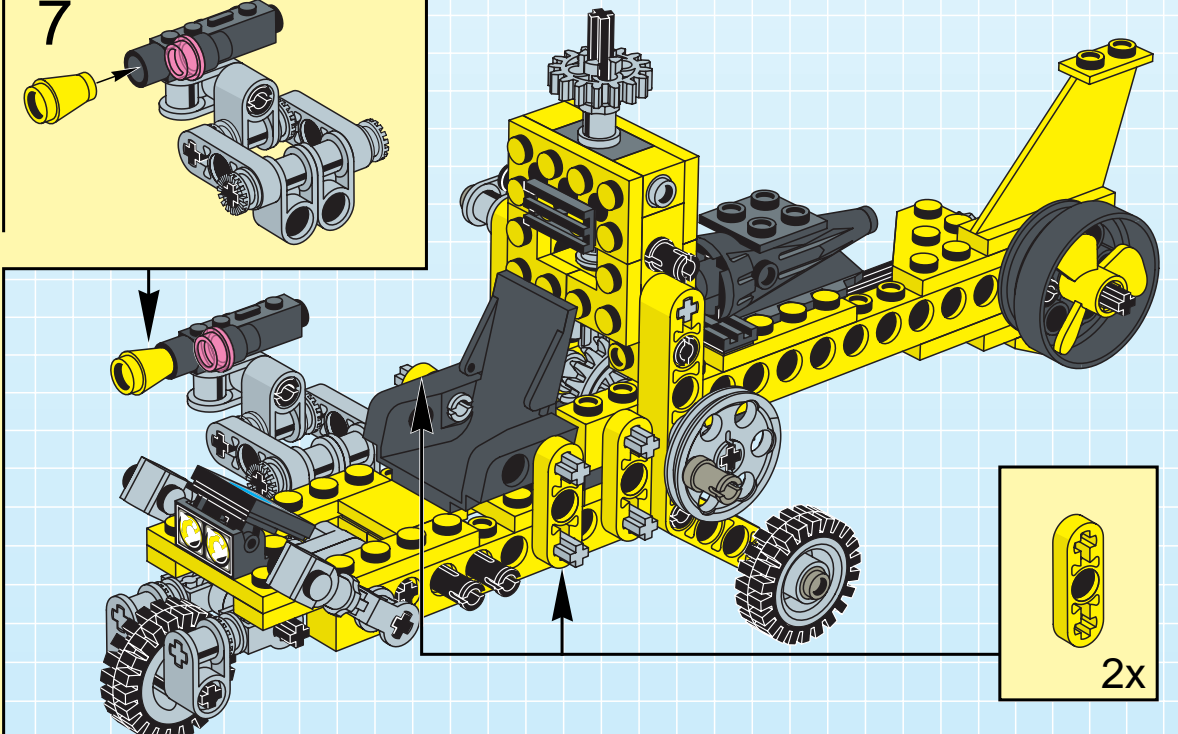
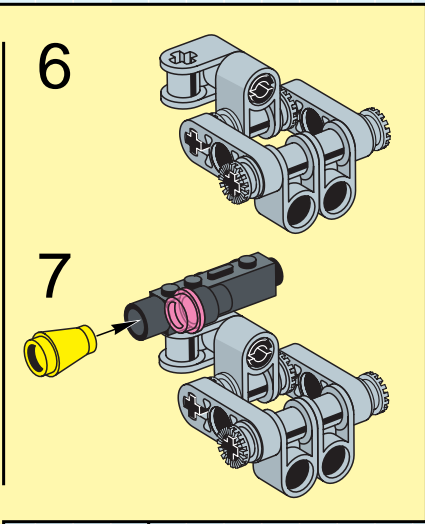
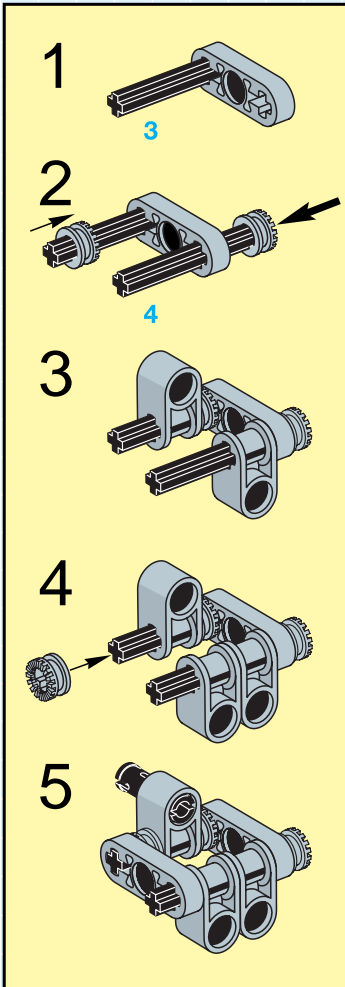


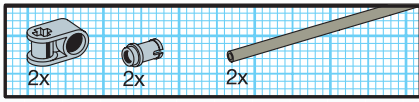


17

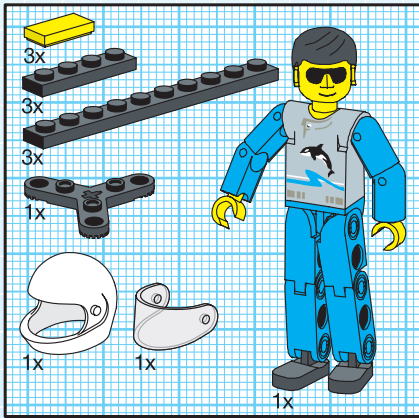
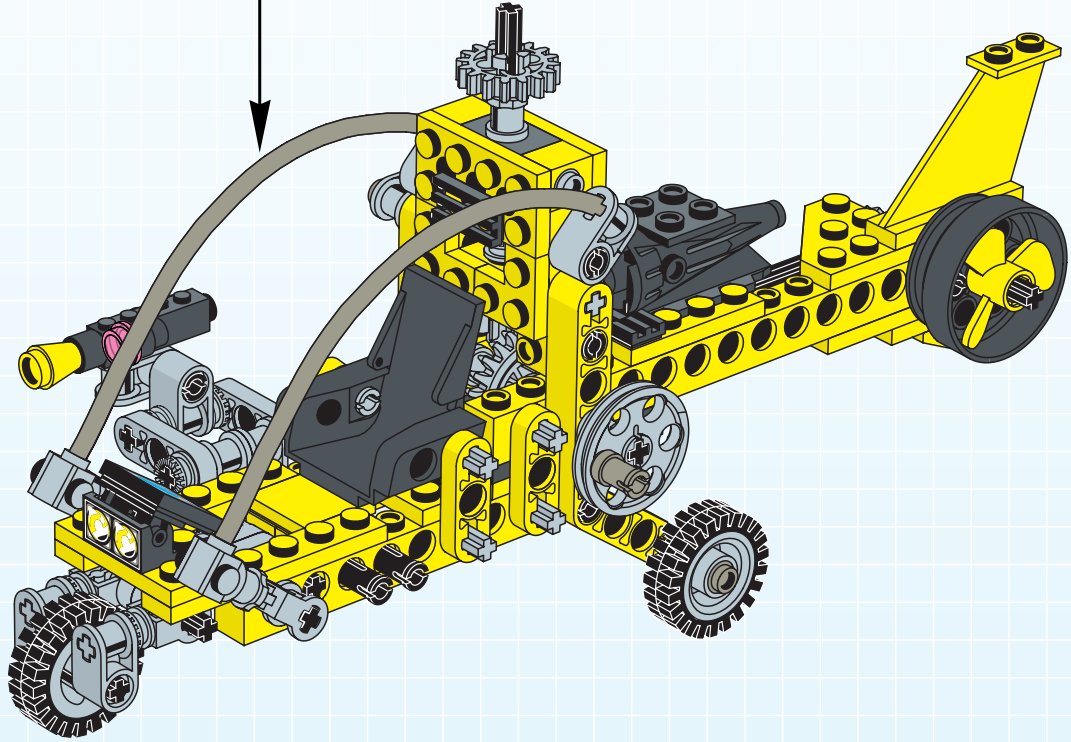
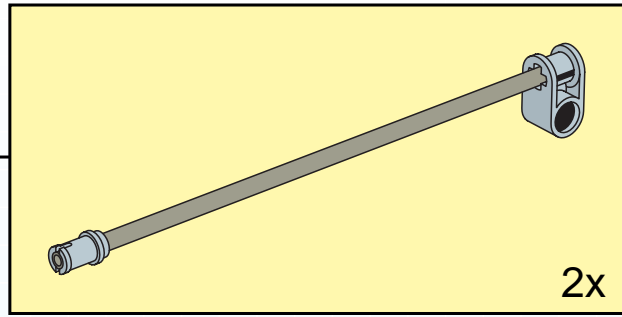


18

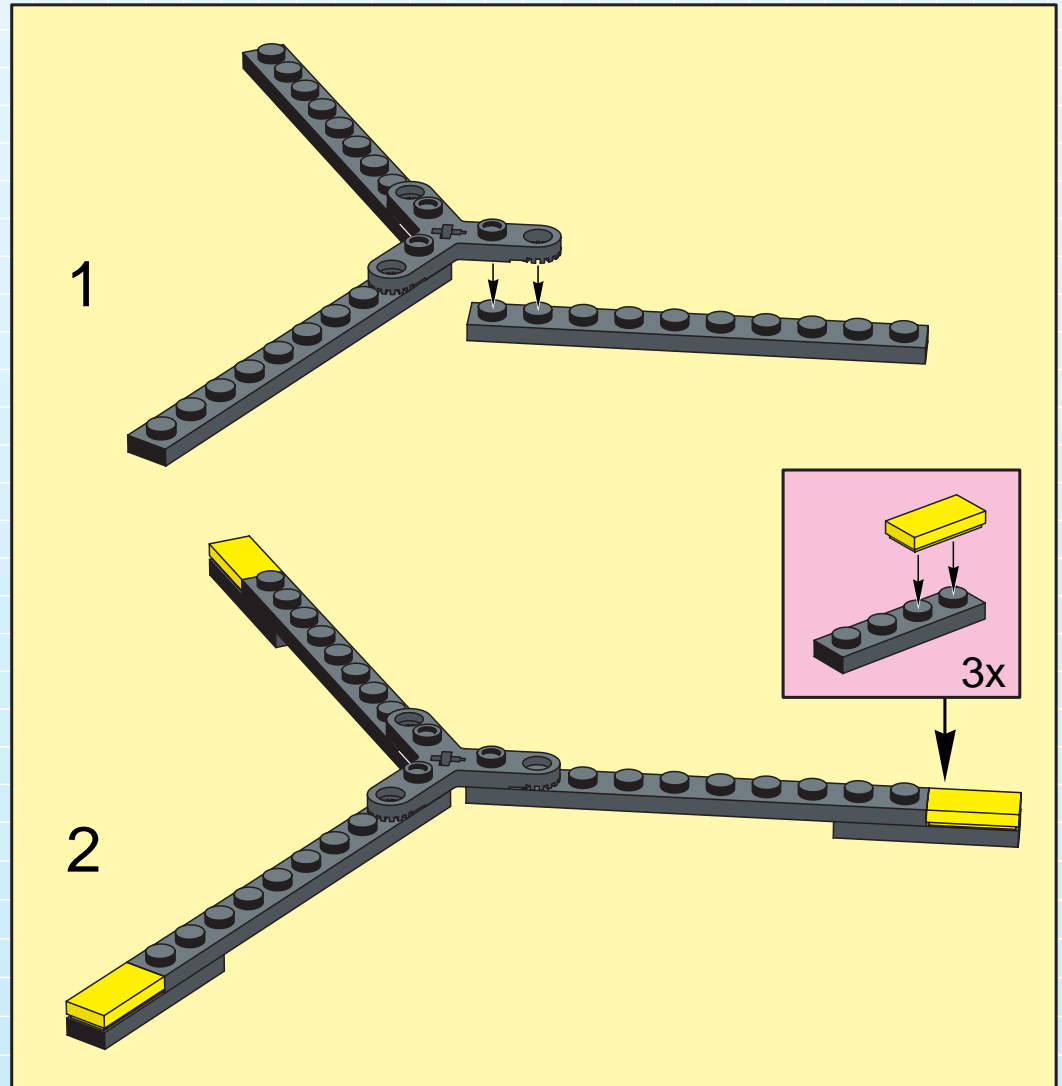


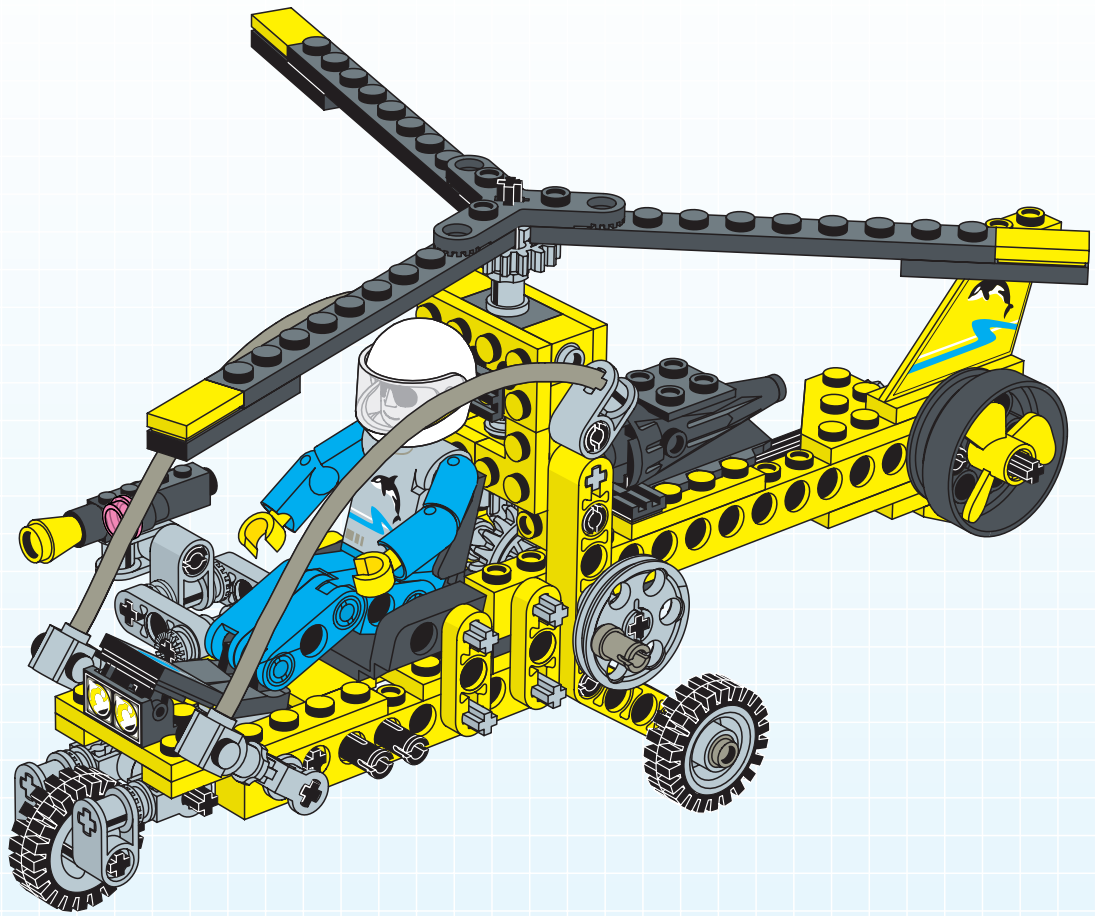


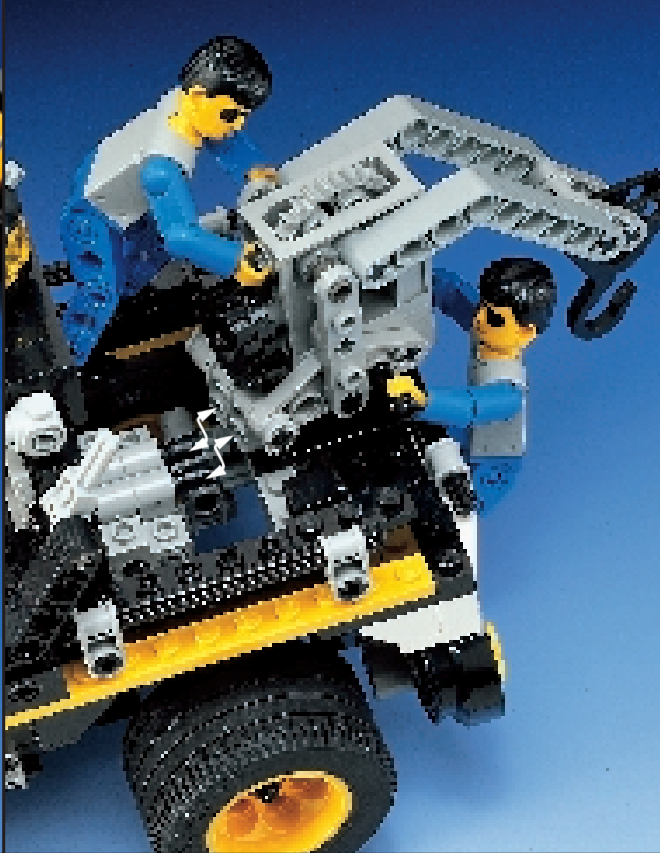
19

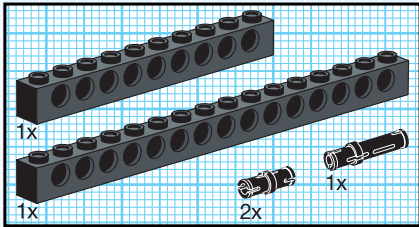
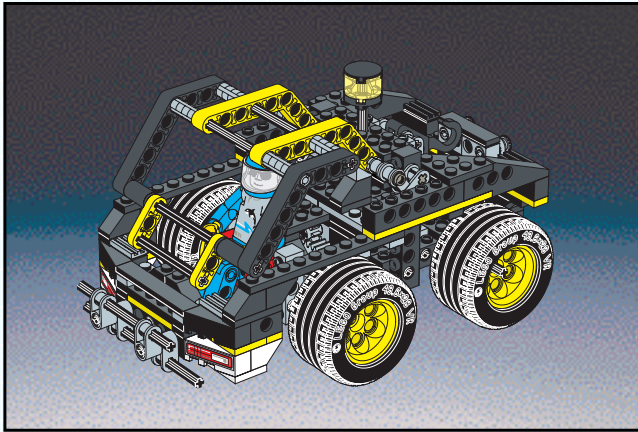


20

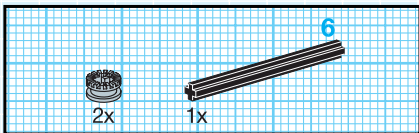
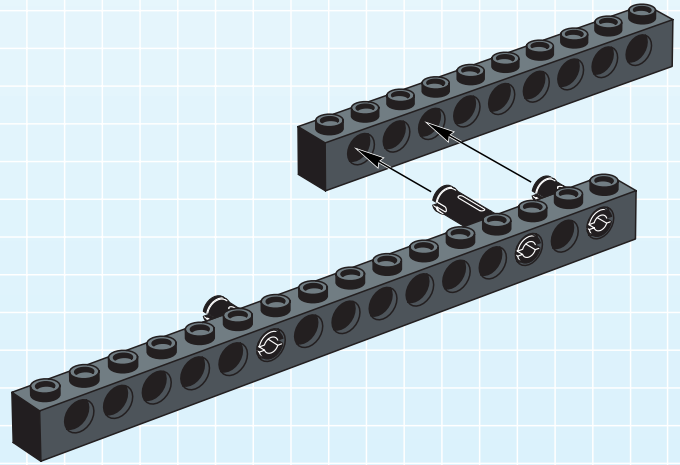




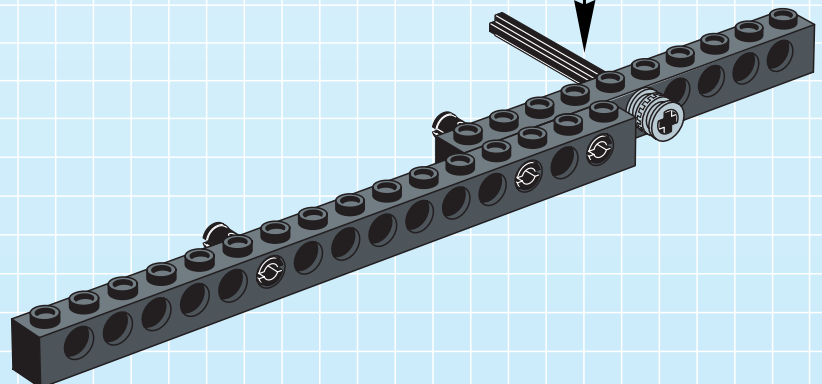
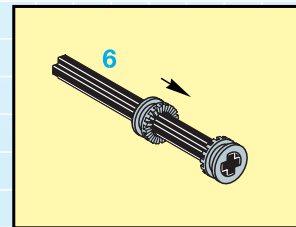


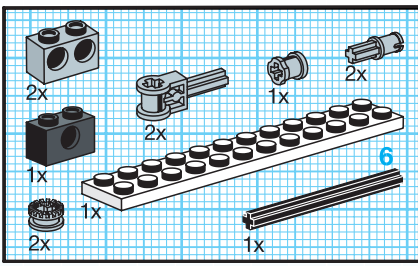


1

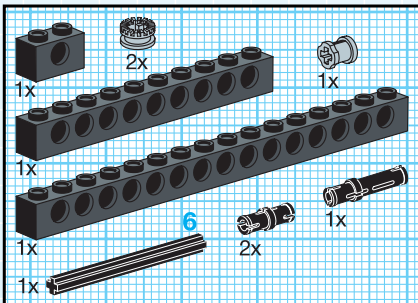
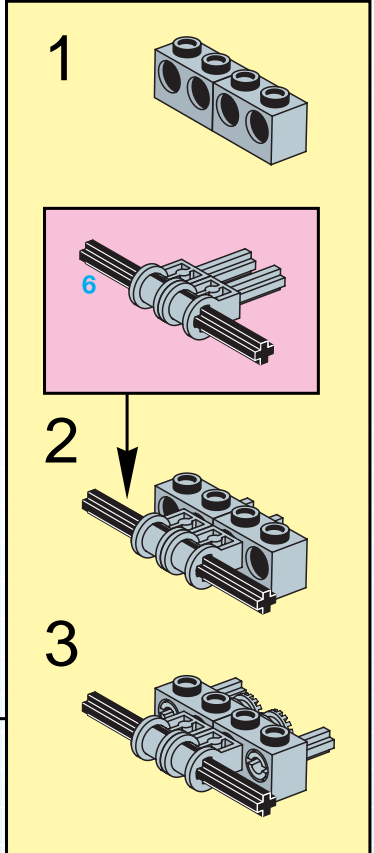
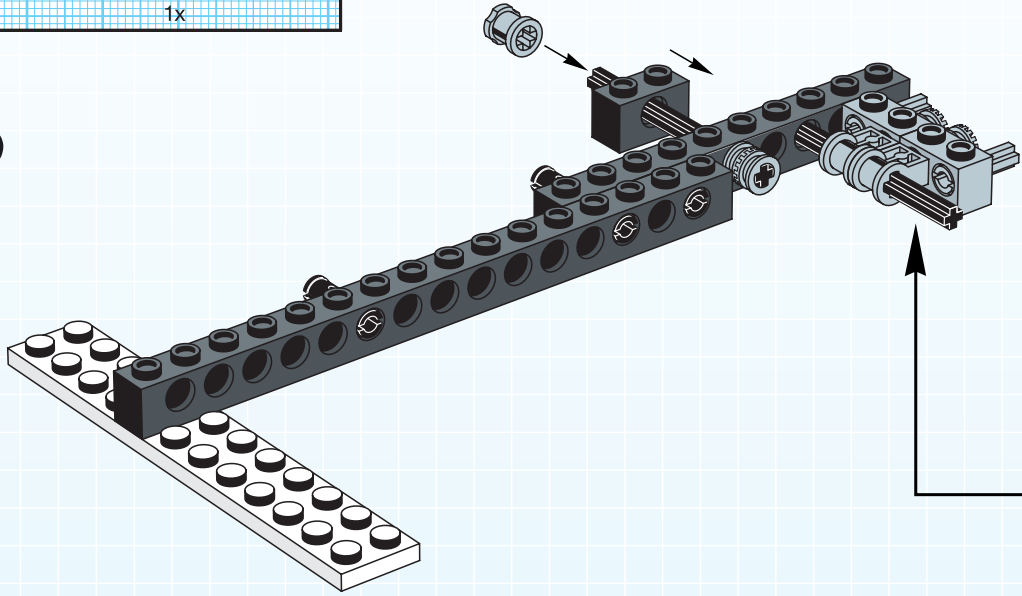


2

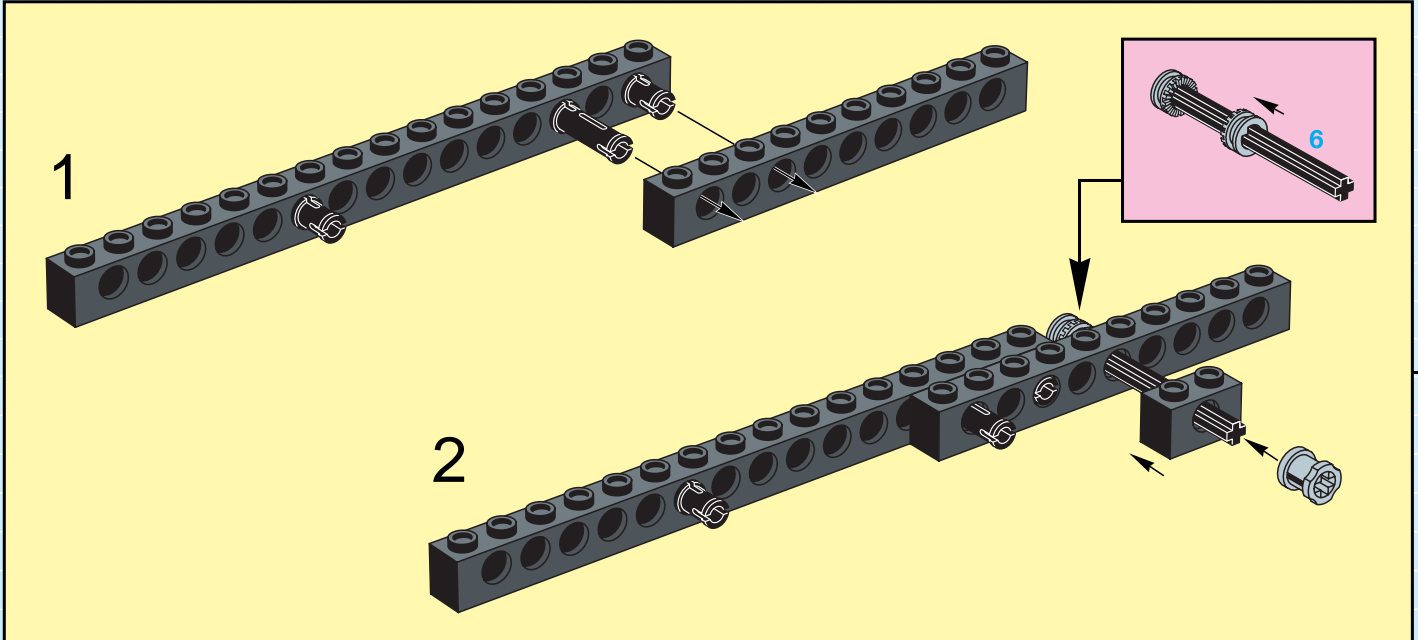
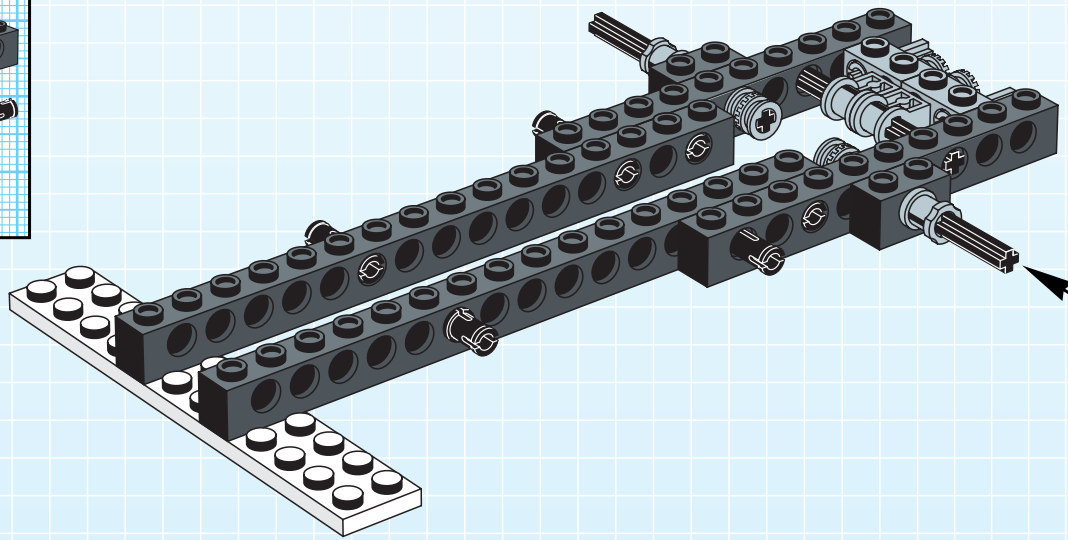


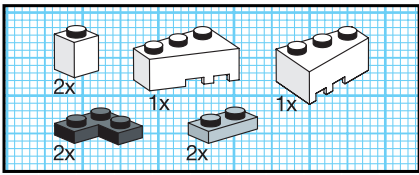


3

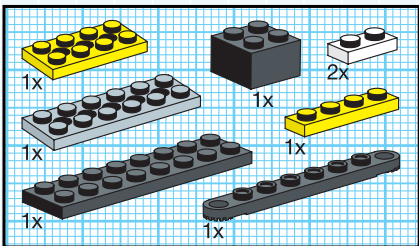
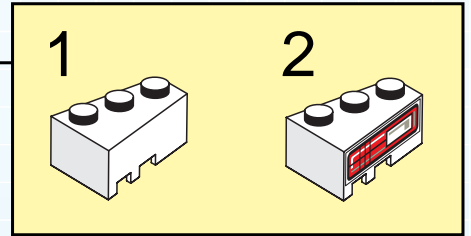
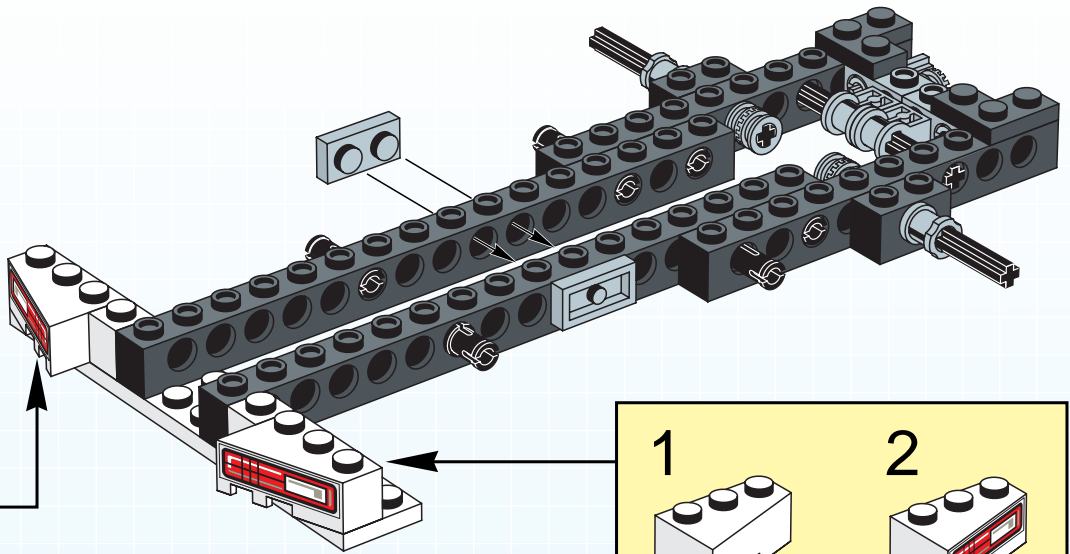
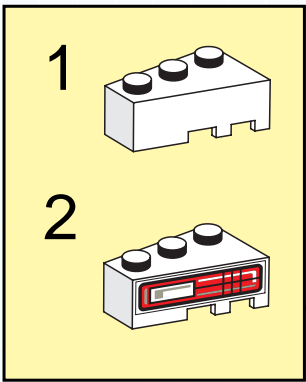


4

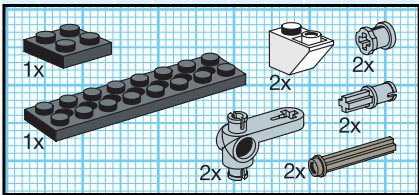
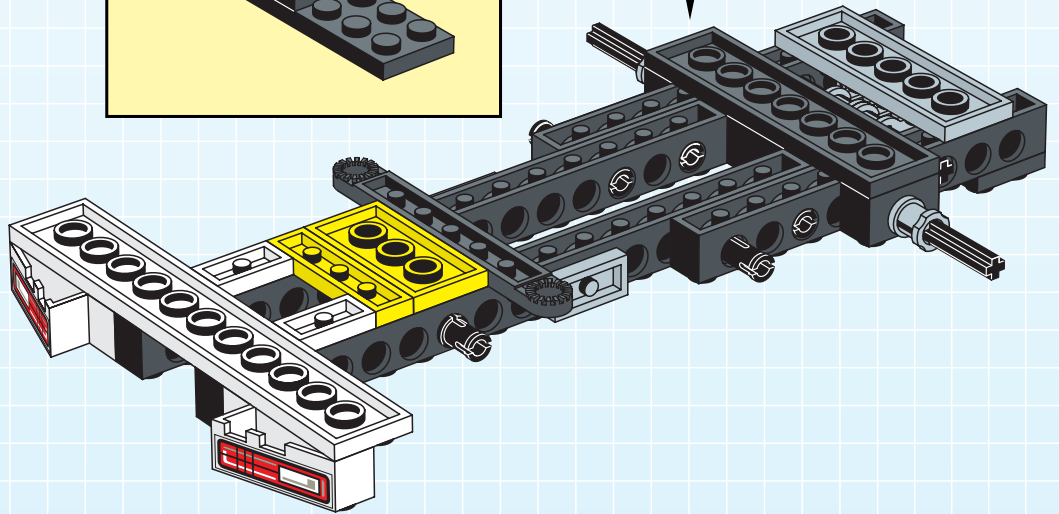
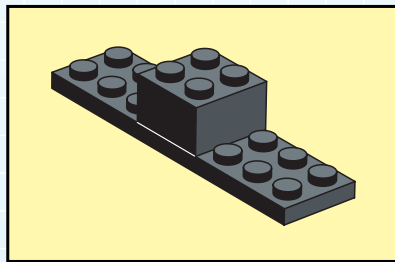




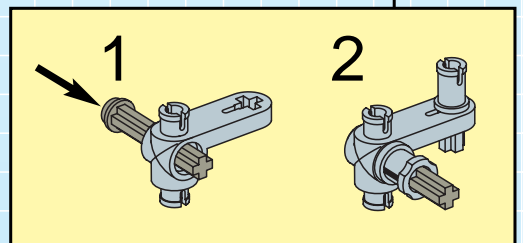
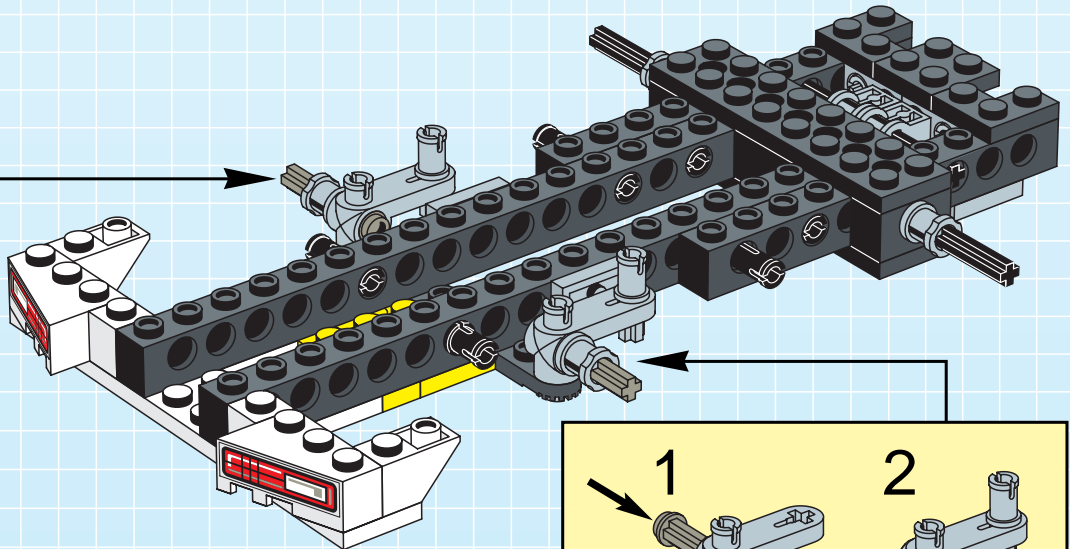
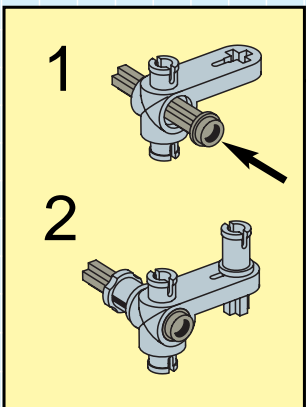
5

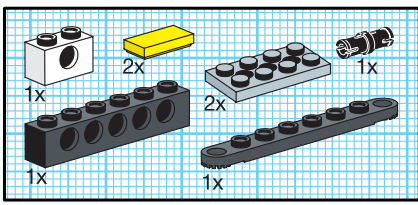


6

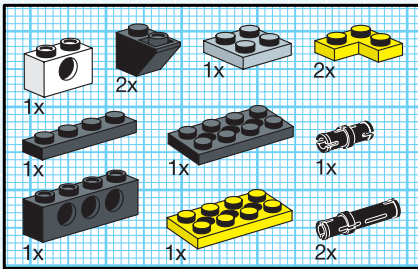
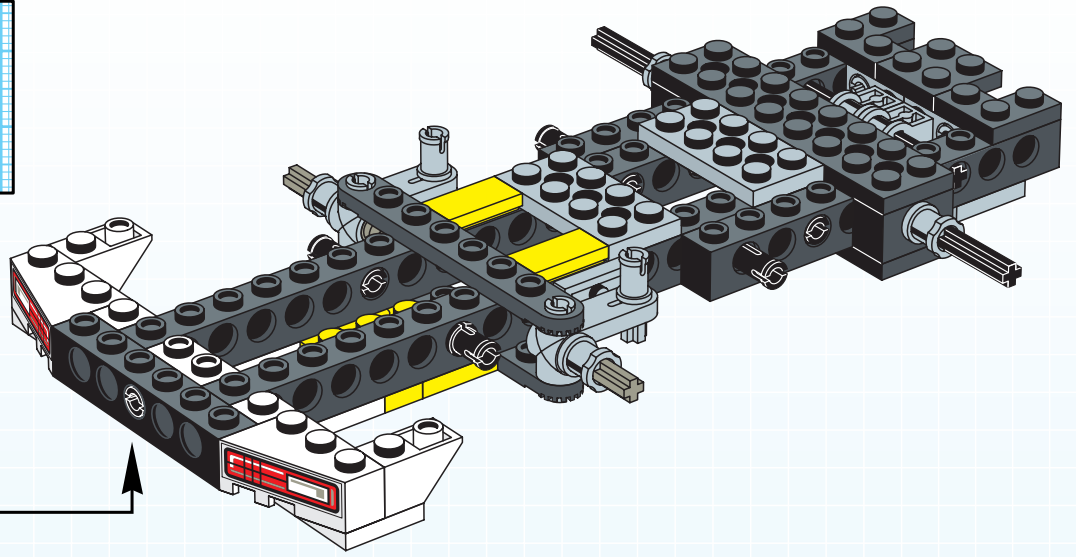
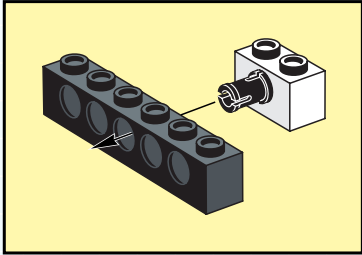


7

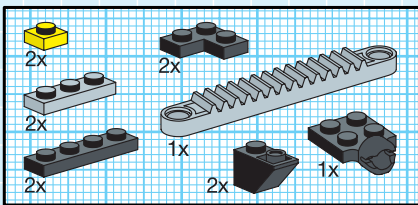
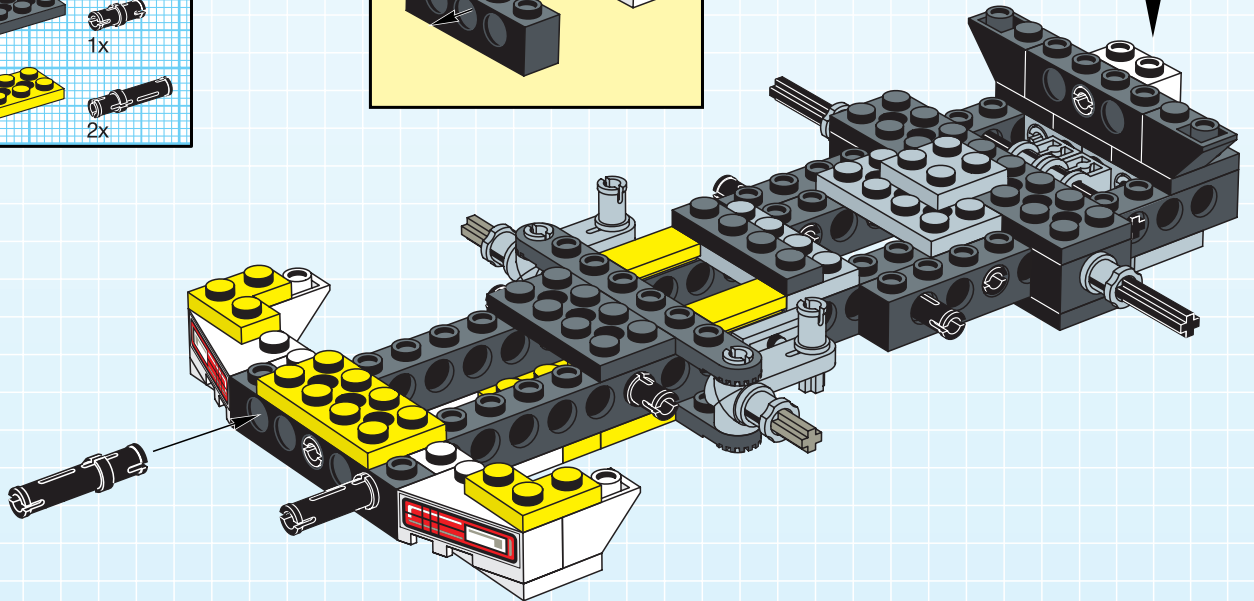
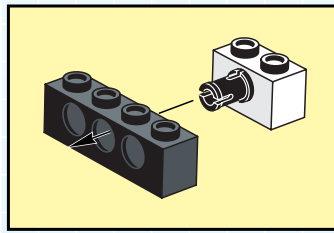




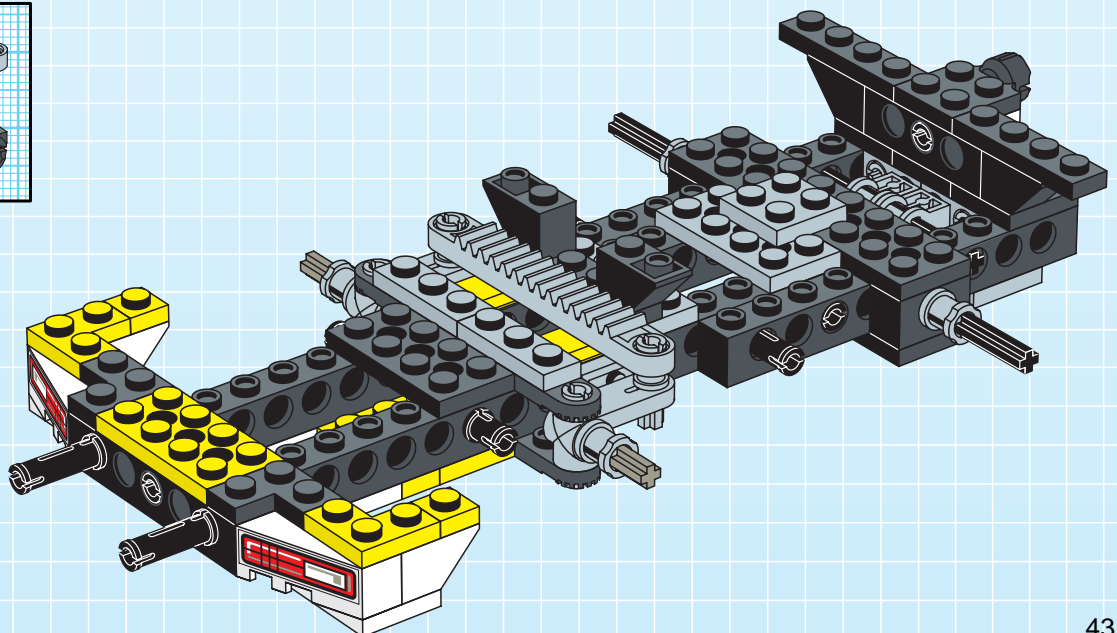
8

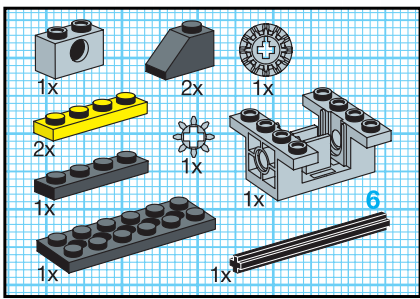


9

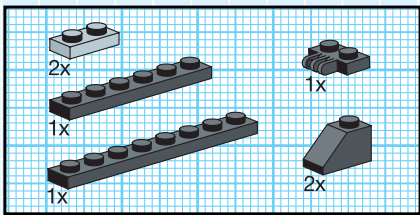
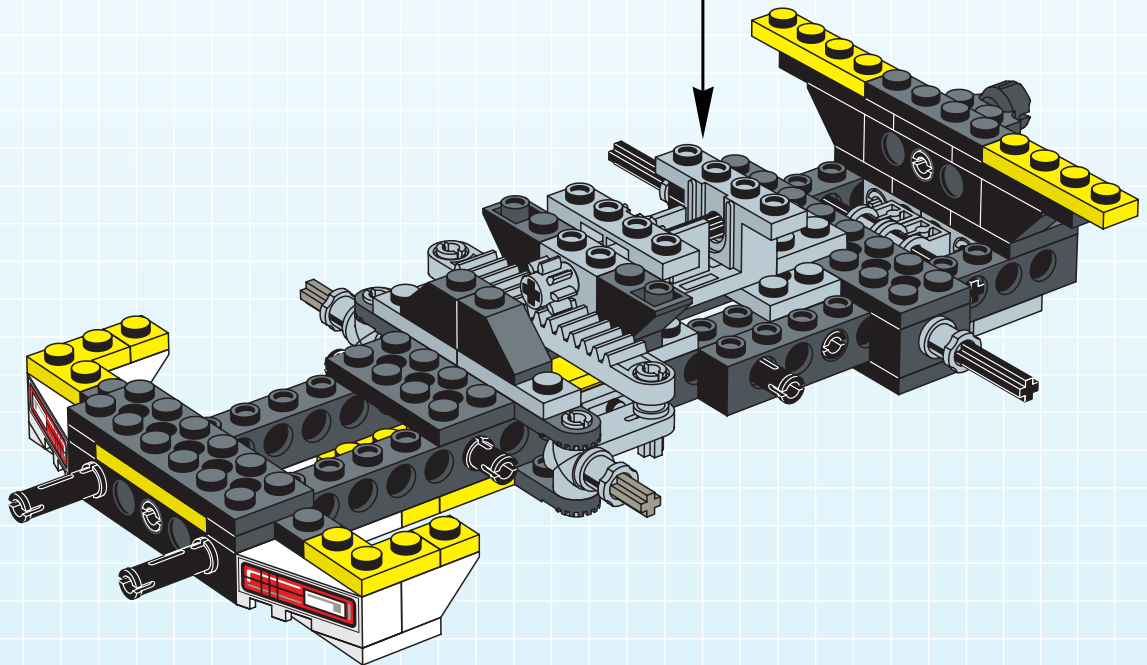
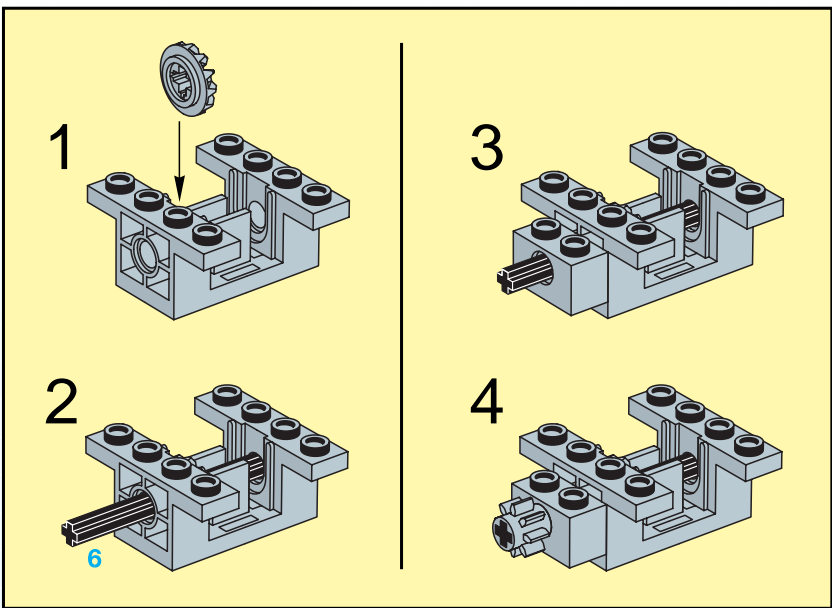


10

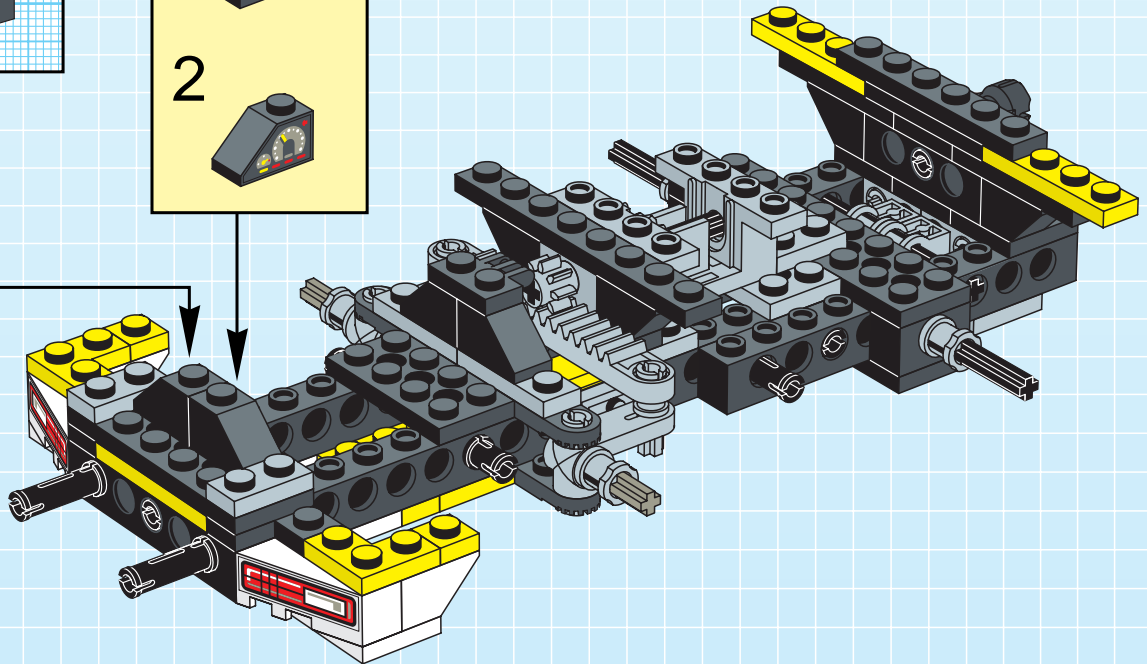
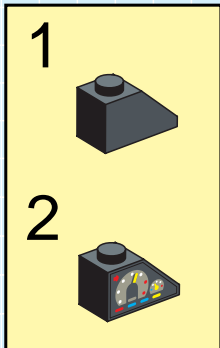
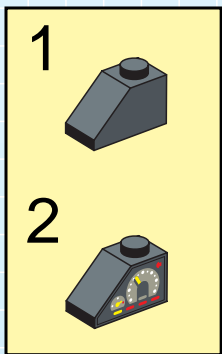


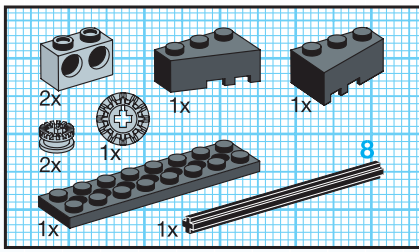


11

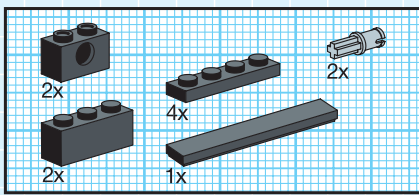
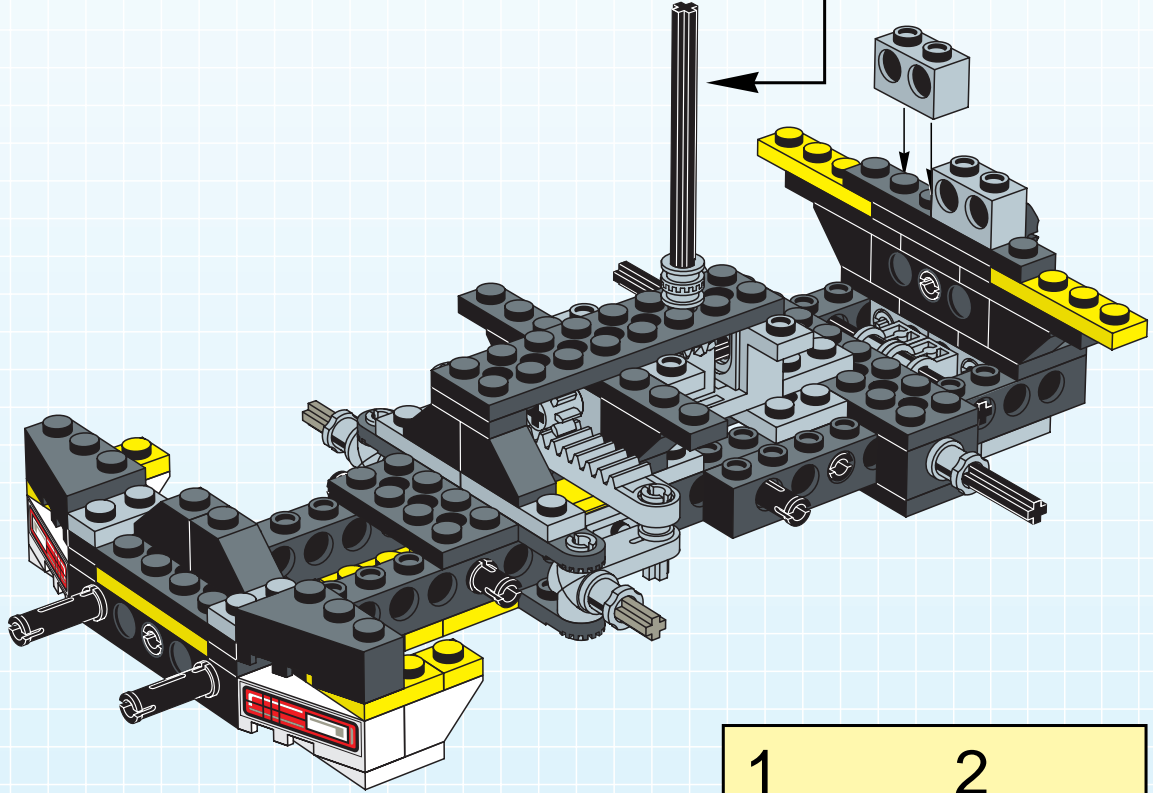
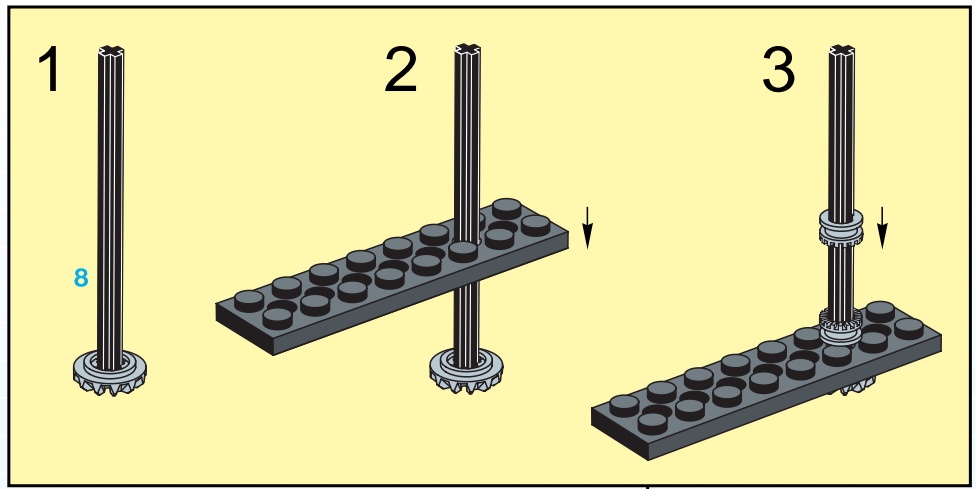


12

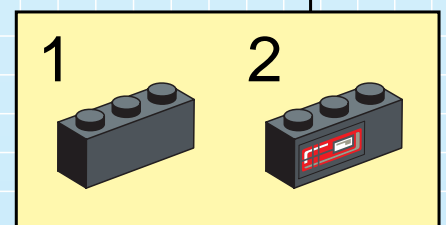
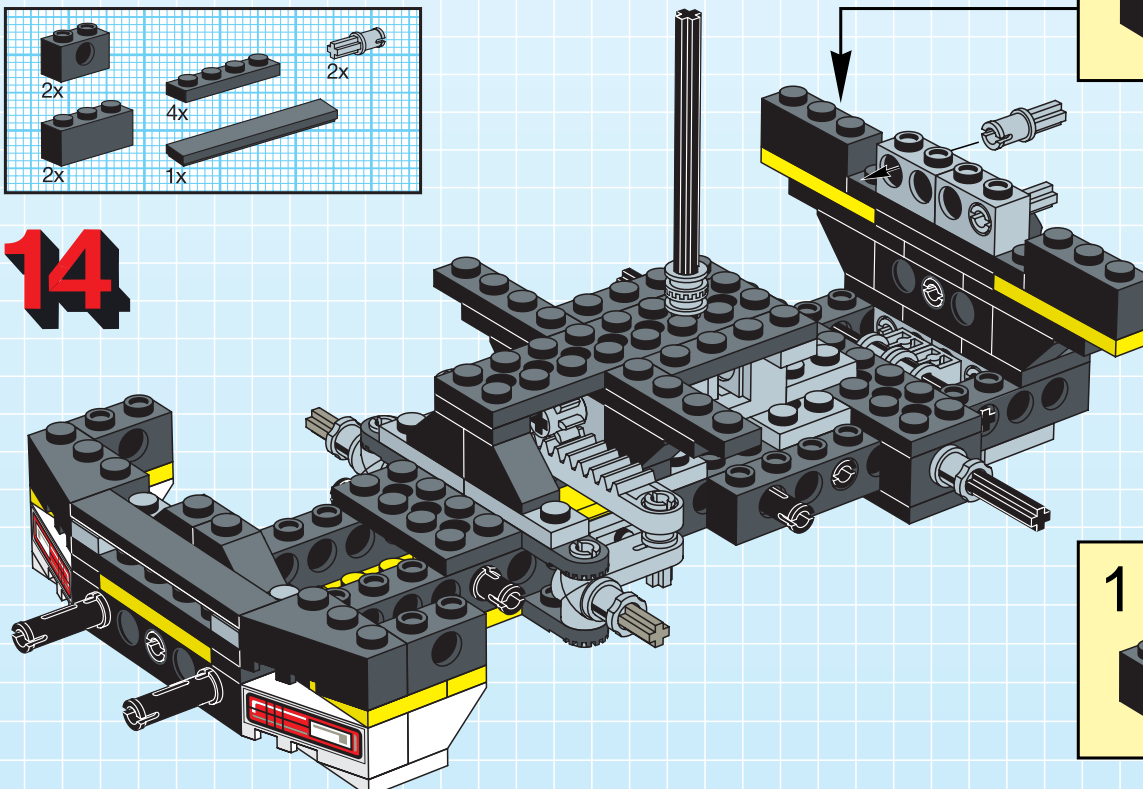
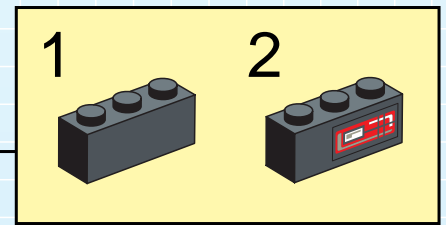


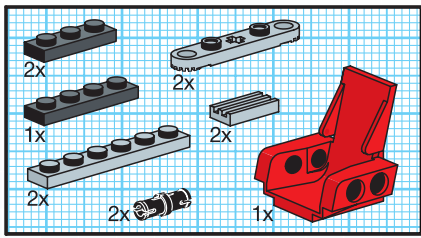


13

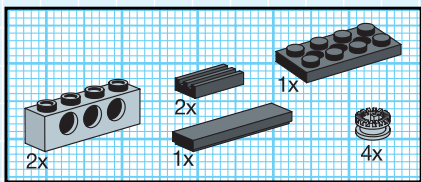
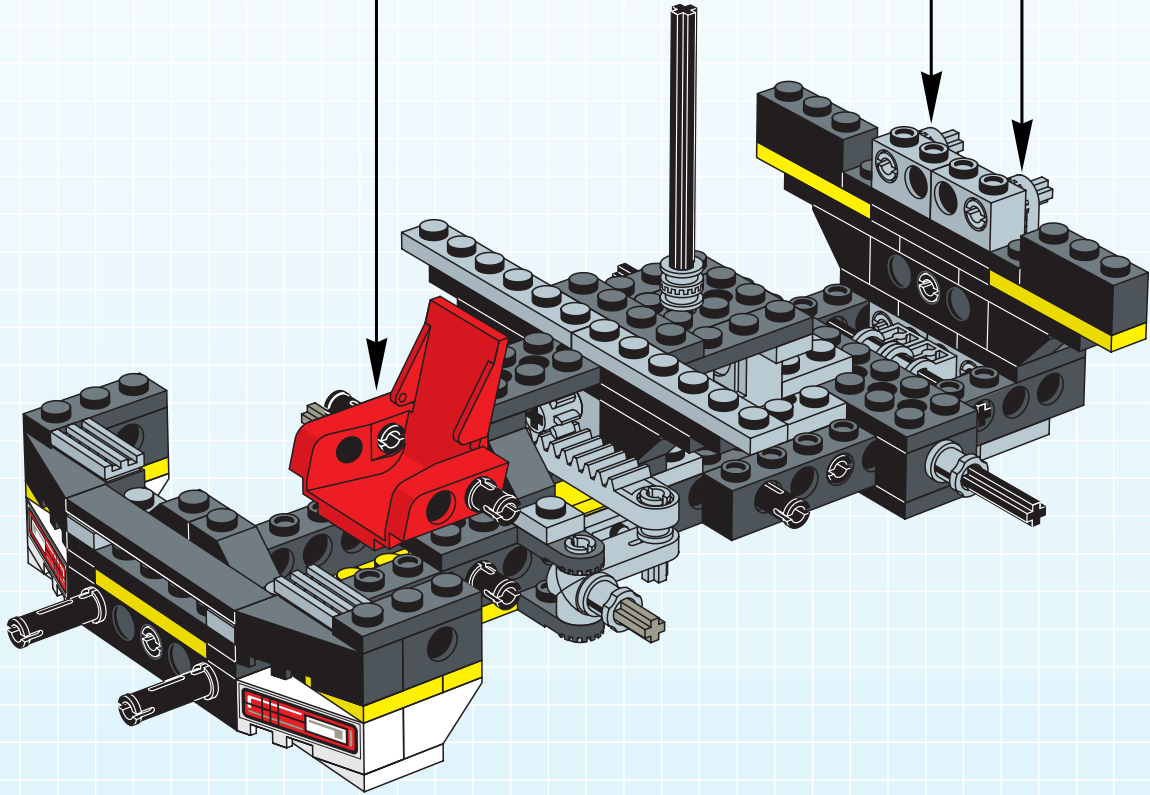
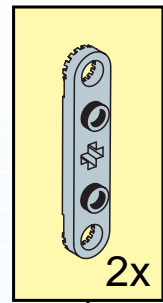
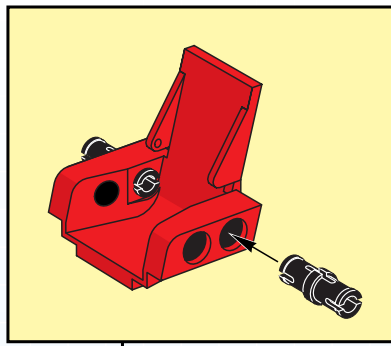


14

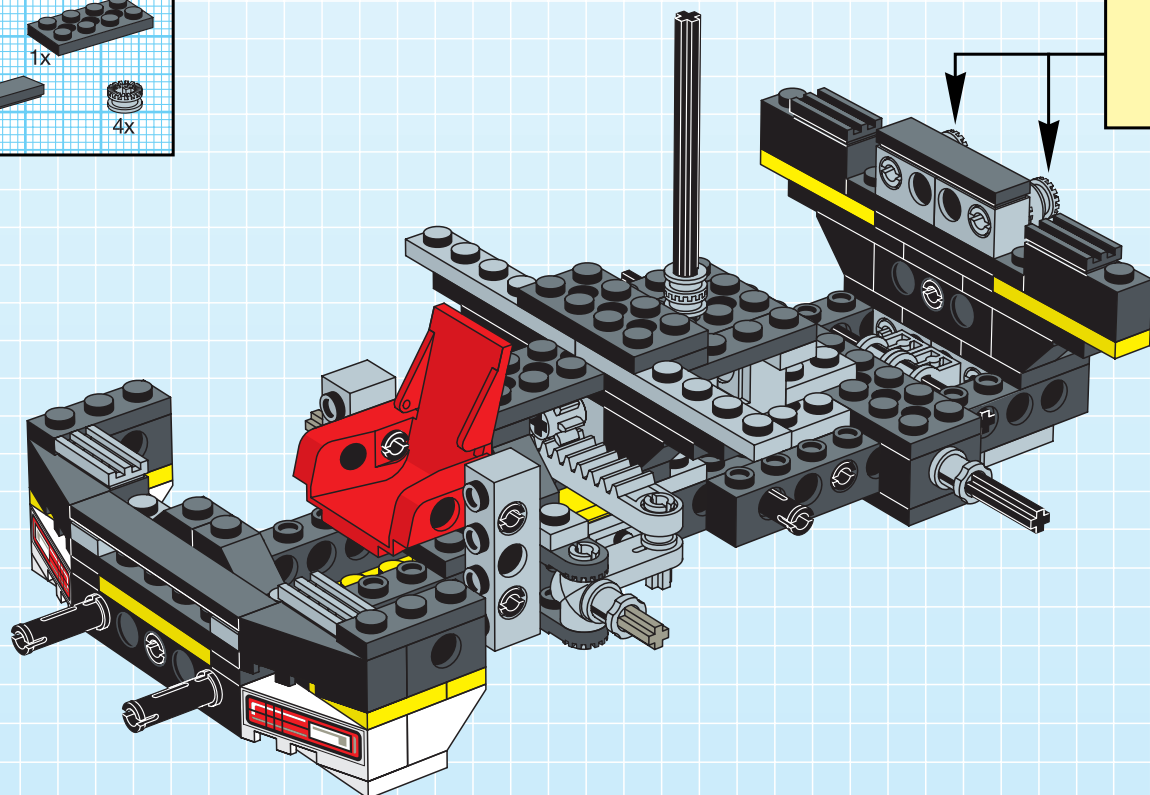
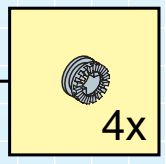


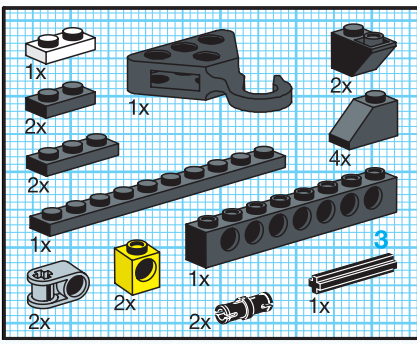


15



16

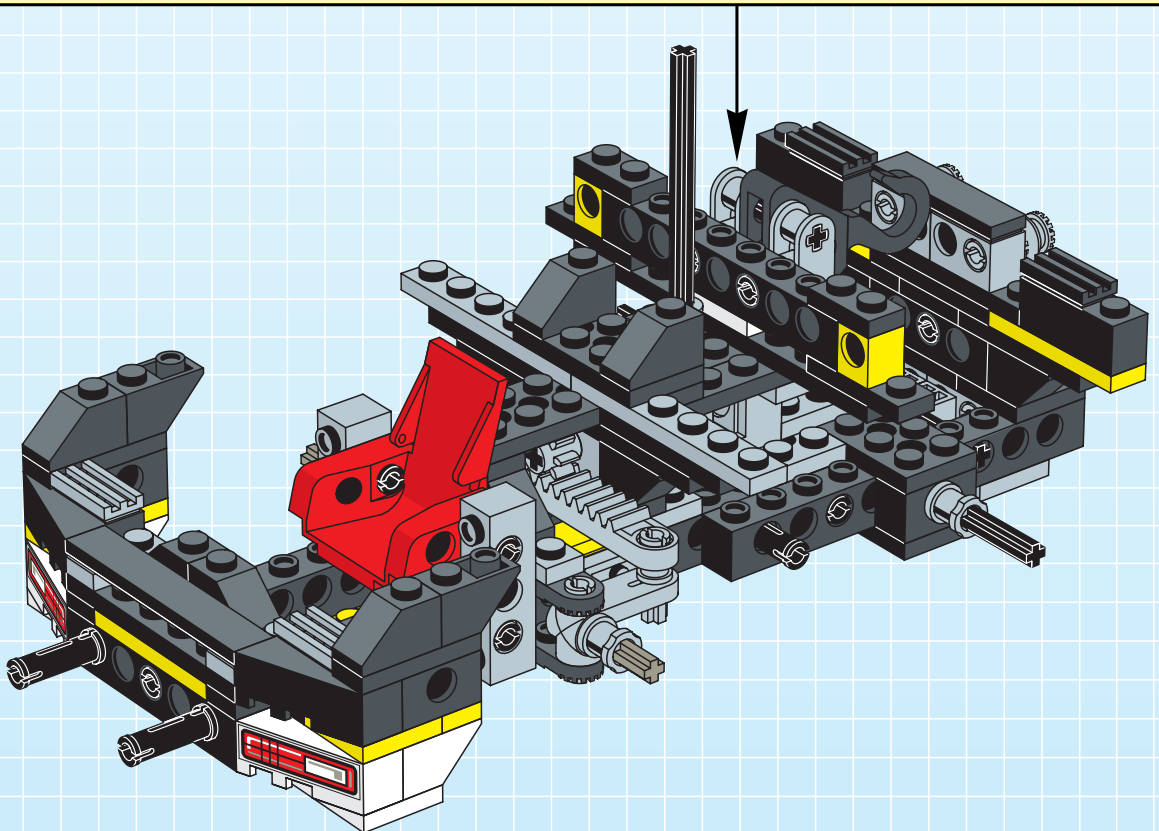


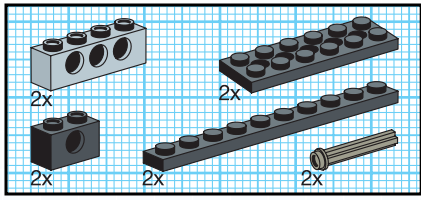


17

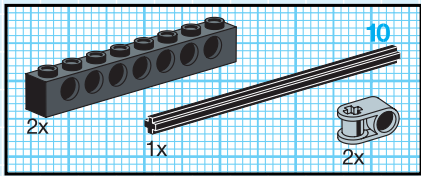
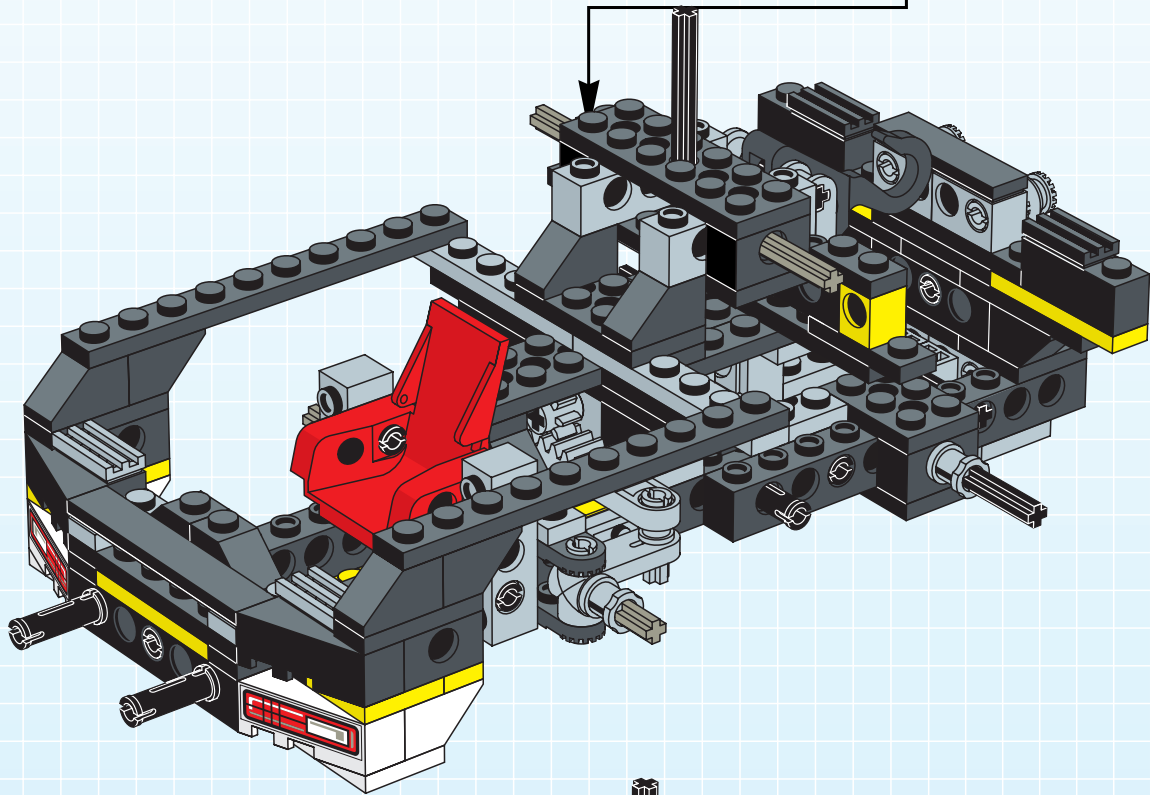
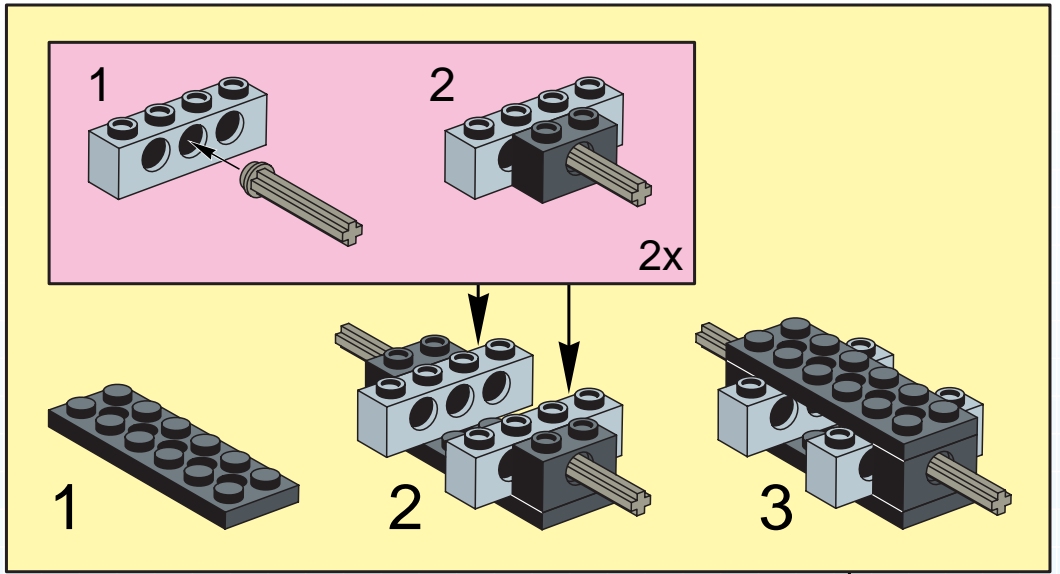
Main assembly steps for step 17:

1. Place a black 4-hole Technic brick on the work surface.
2. Attach a white 1-hole Technic brick to the 3rd hole from the left.
3. Attach a yellow 1-hole Technic brick to the 1st hole from the left.
4. Attach a grey 1-hole Technic brick to the 9th hole from the left.
5. Assemble the hook mechanism. A sub-diagram shows:
 1. A black 2-hole Technic axle.
 2. A grey 1-hole Technic brick with a hook and a grey 1-hole Technic axle.
 3. The assembly from step 2 with a grey 1-hole Technic axle (3) inserted into the hook.
 Attach this assembly to the 9th hole of the brick from step 3.

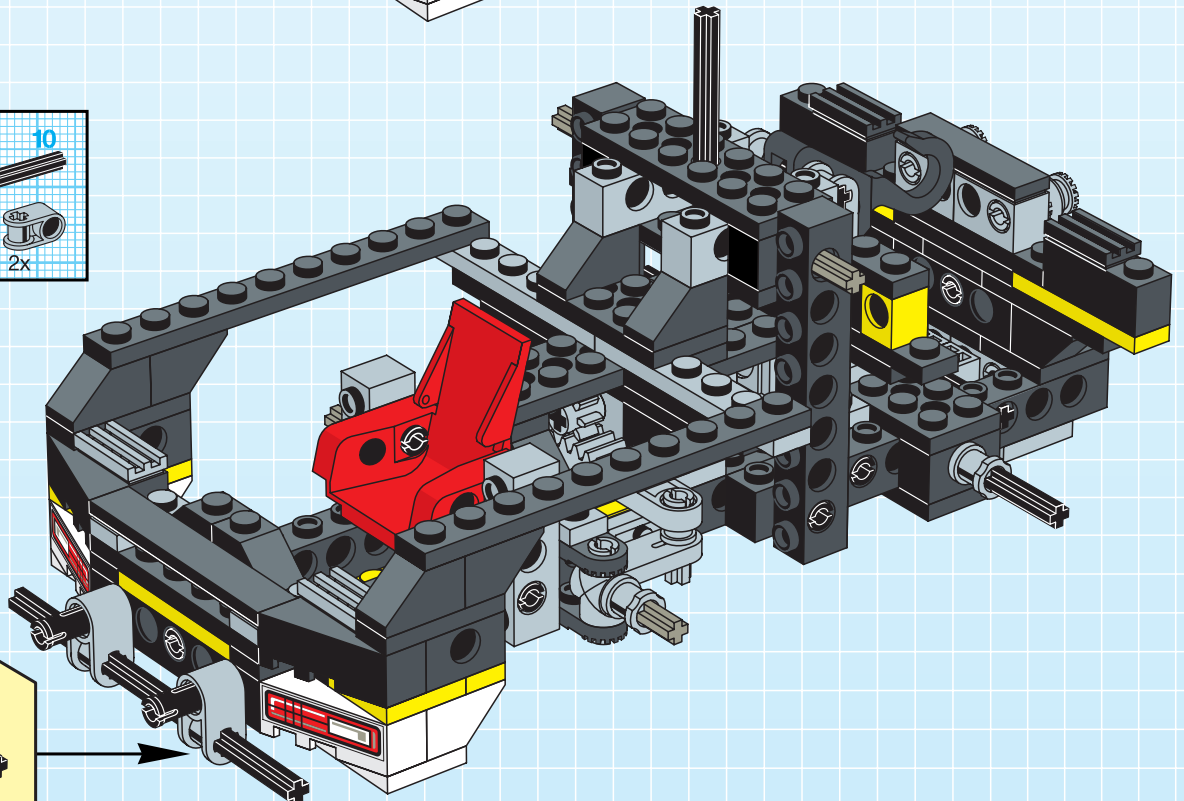
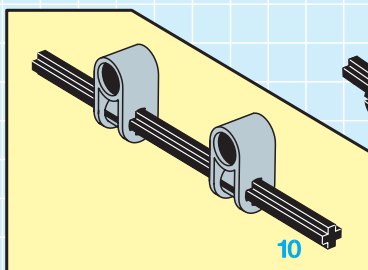


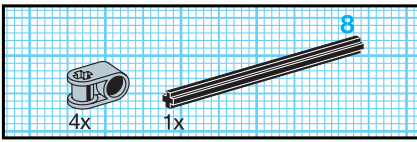


18

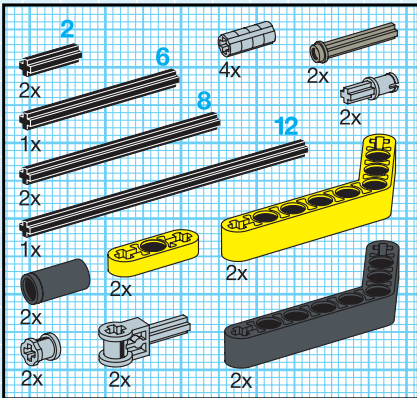
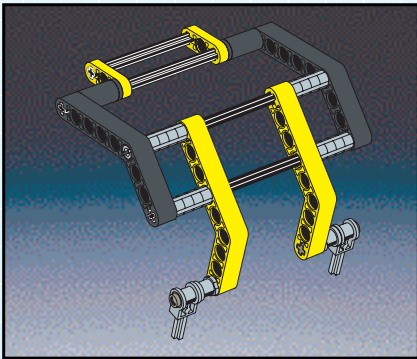
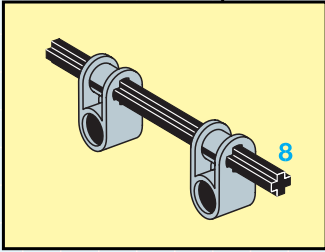
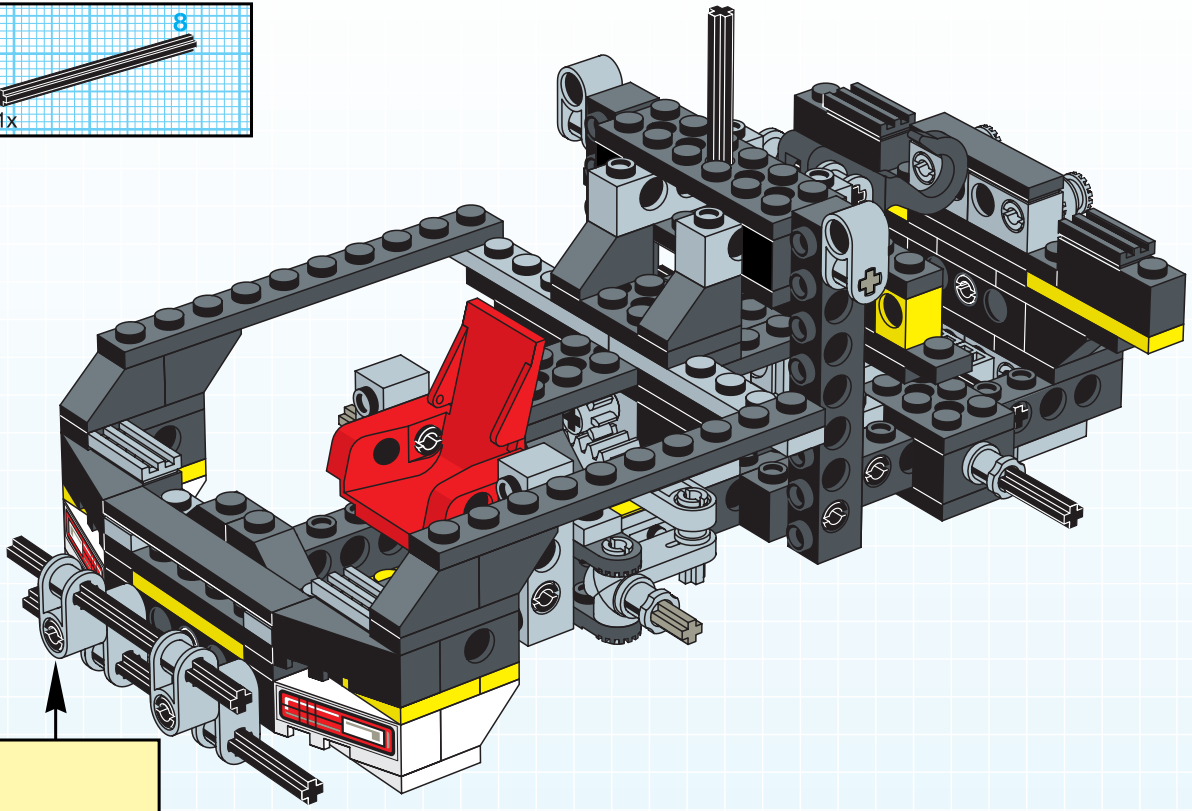


19



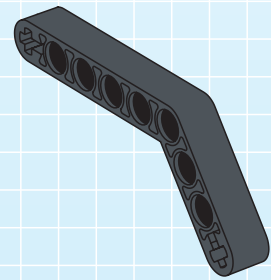


20

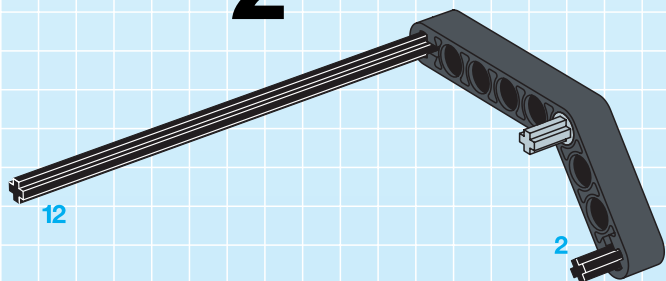


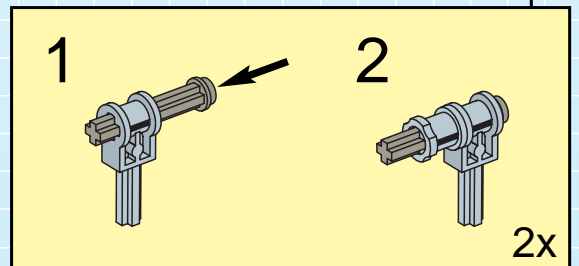
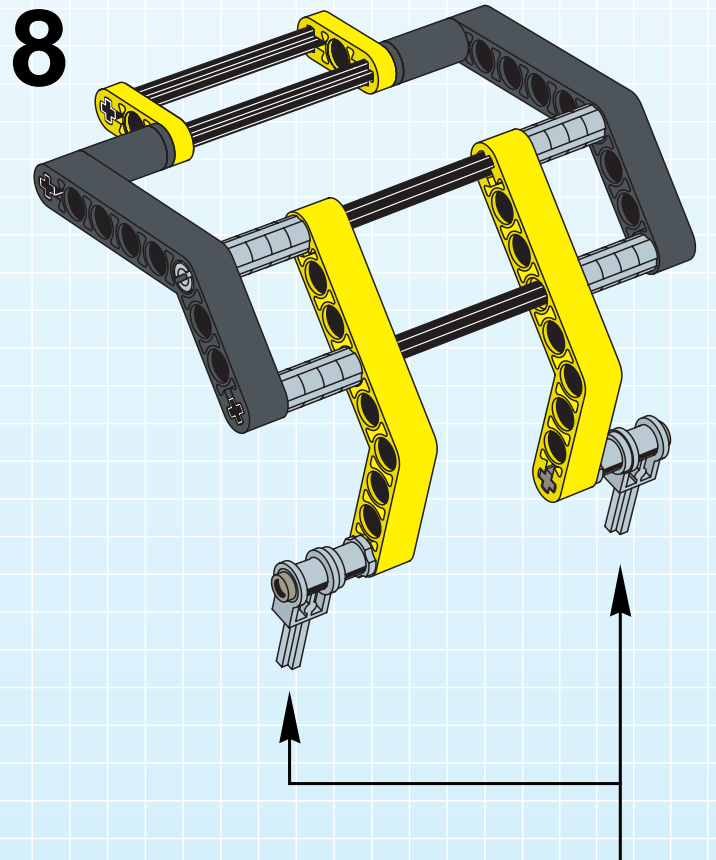
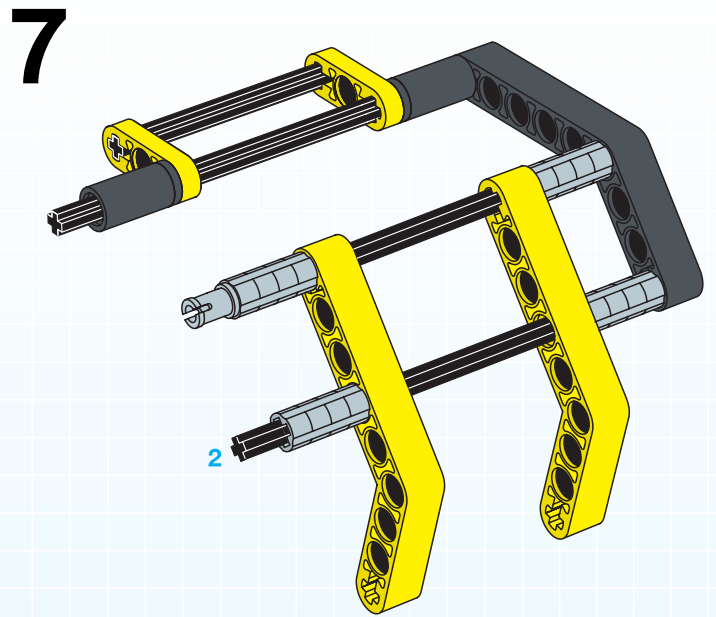
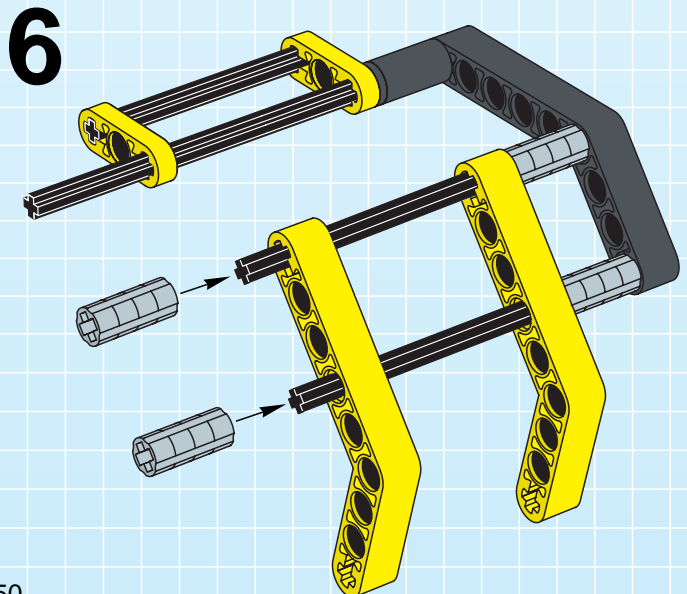
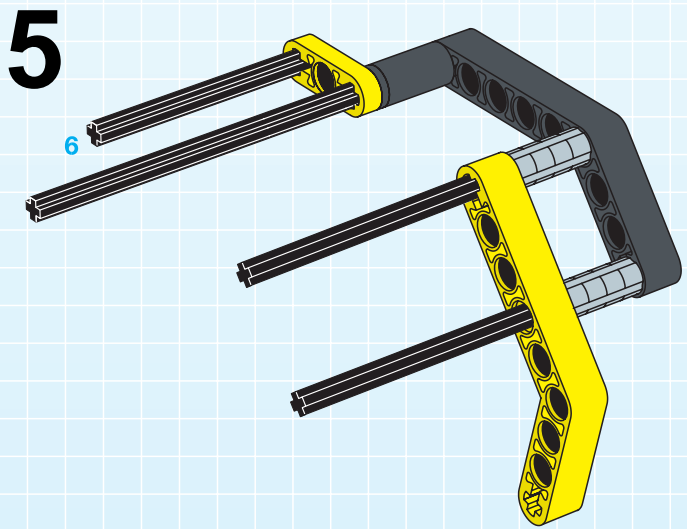
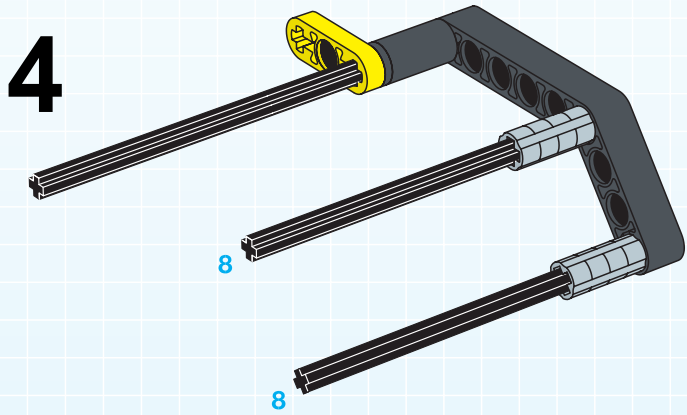
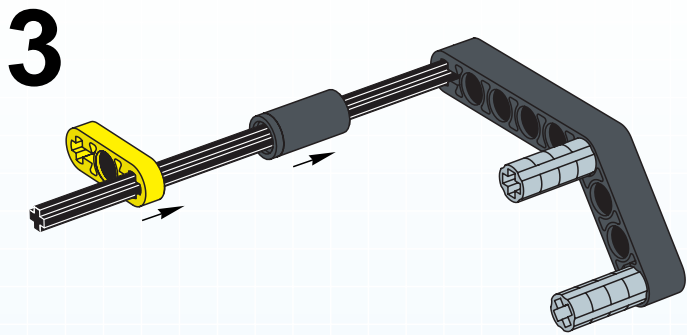
21

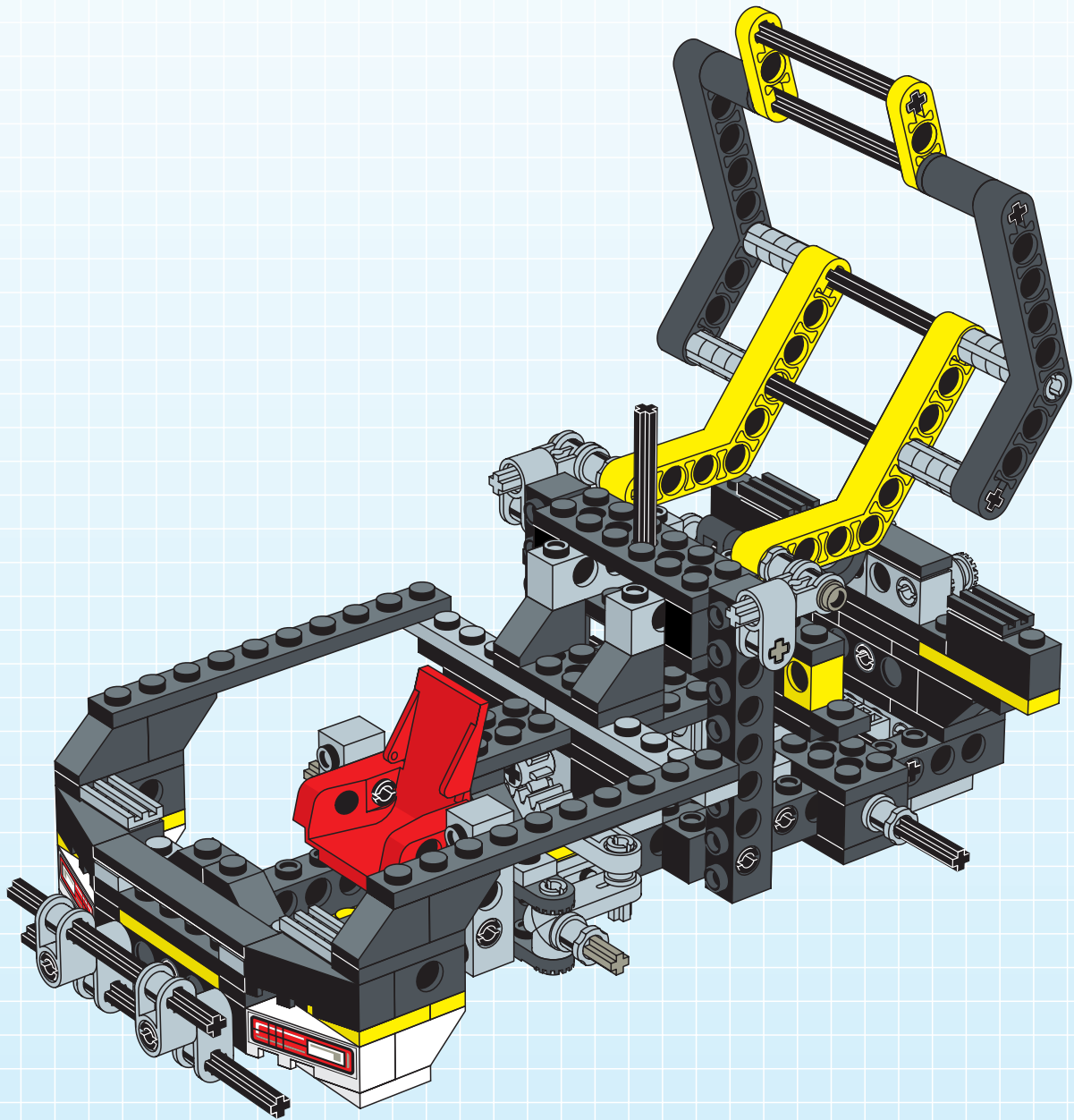
1

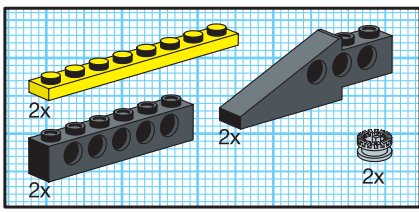


2

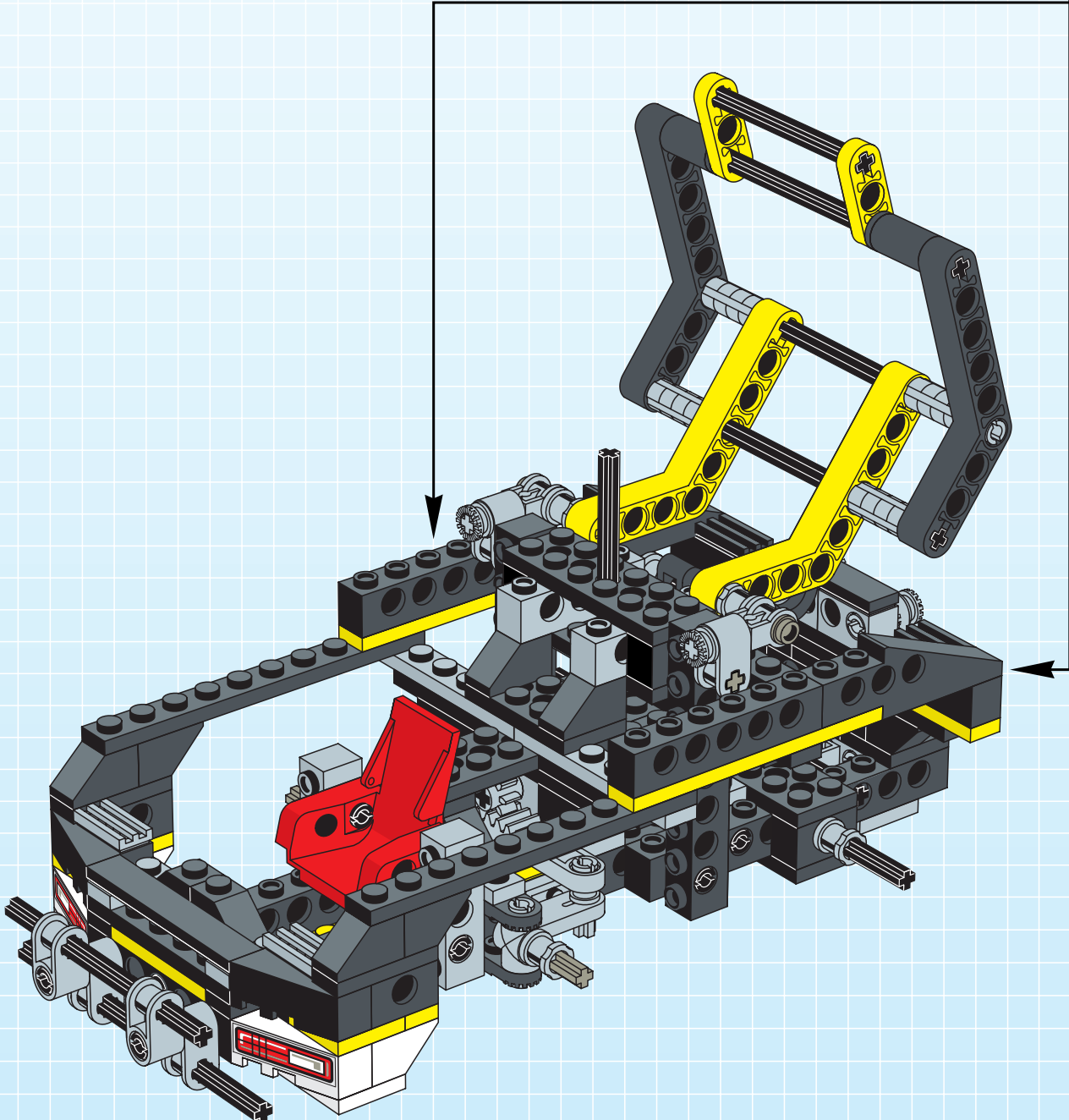
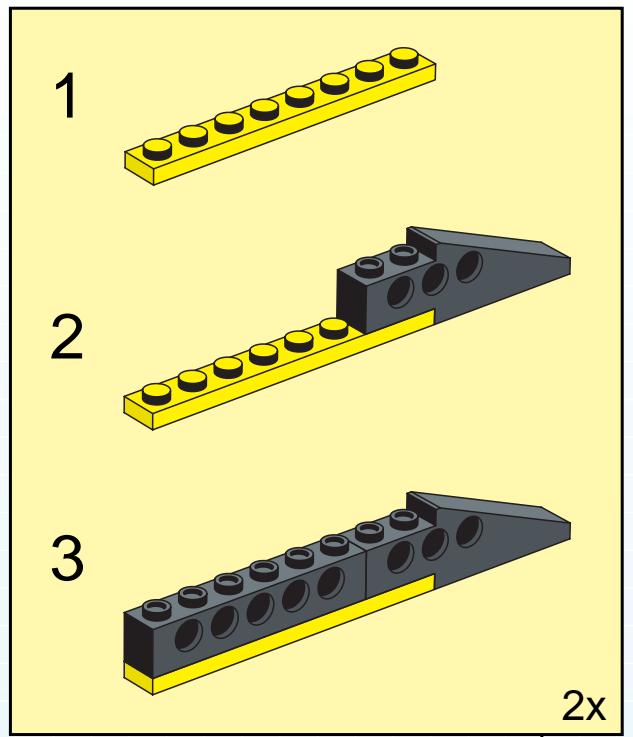


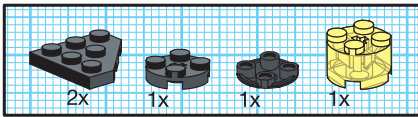




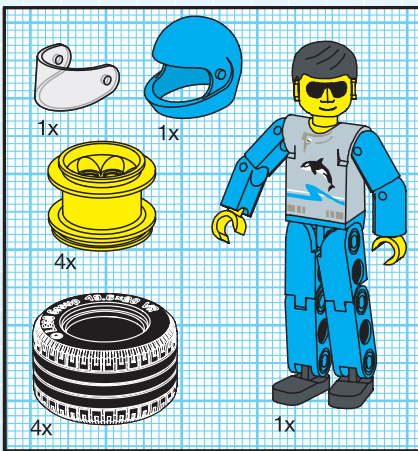
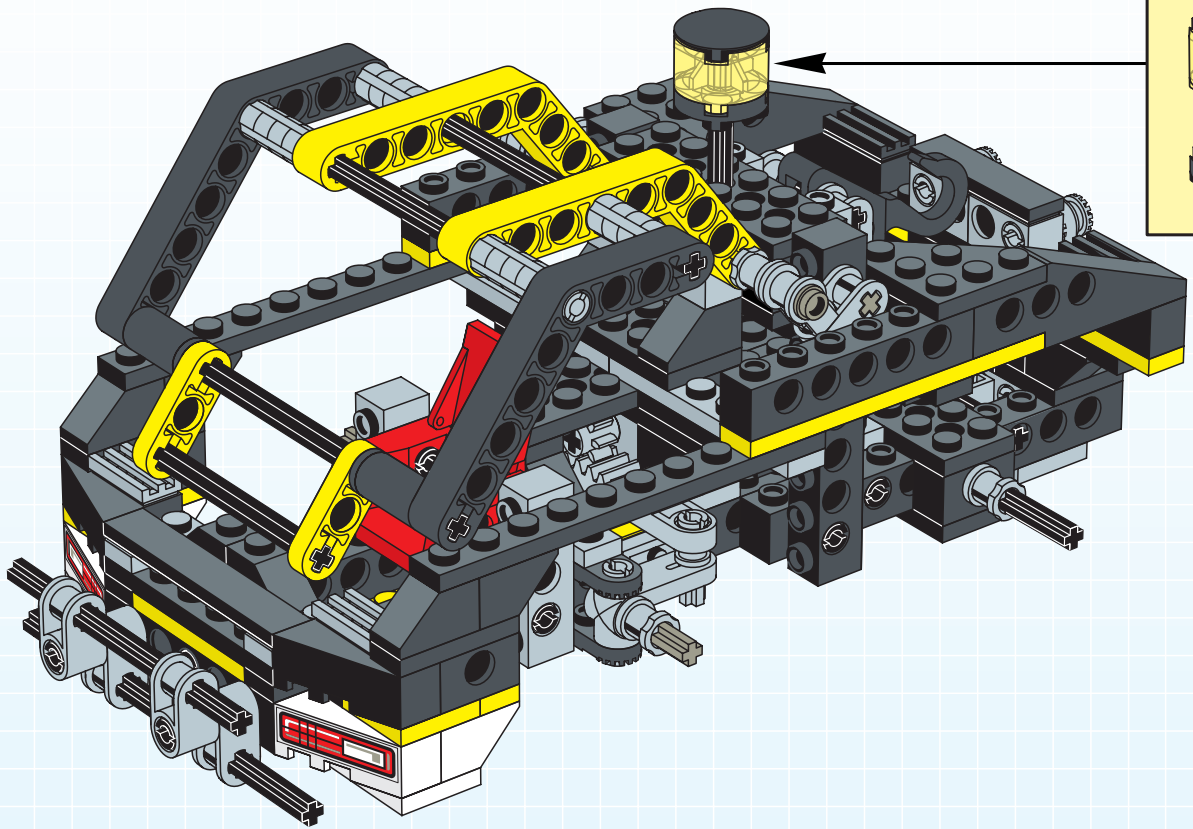


22

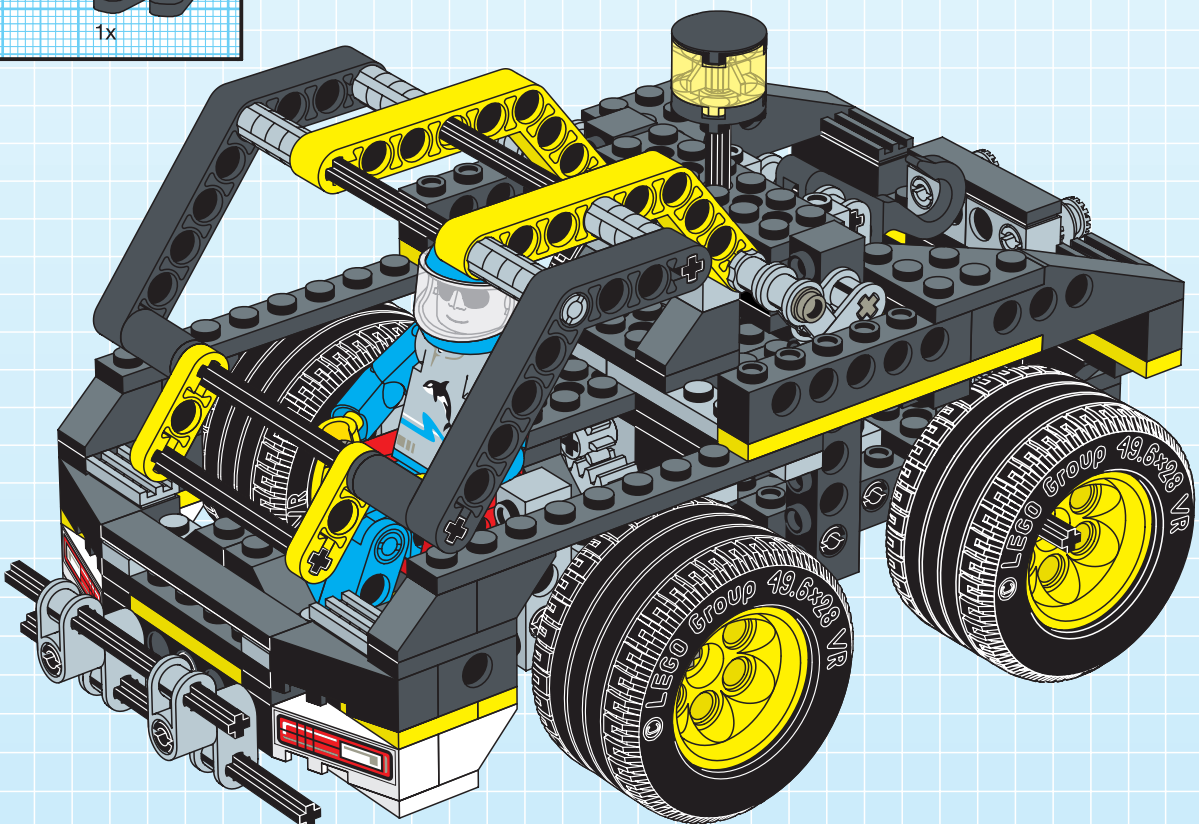


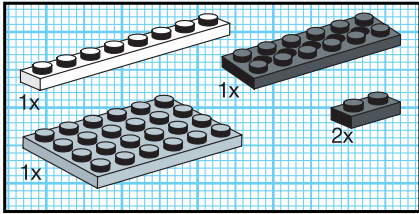
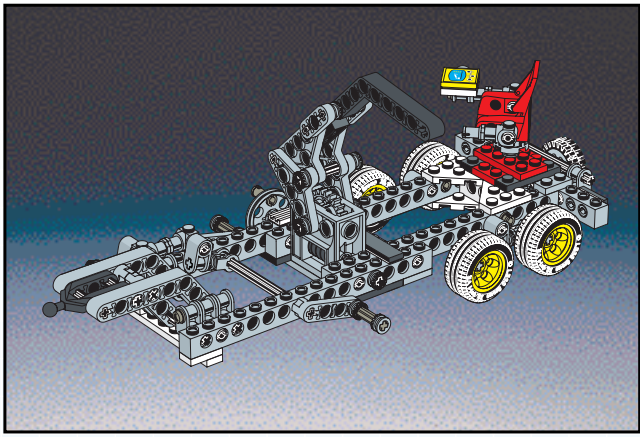


23

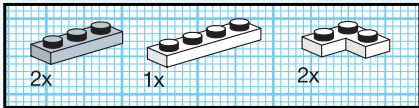
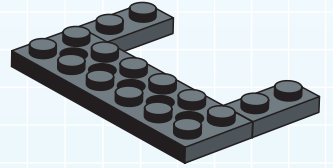
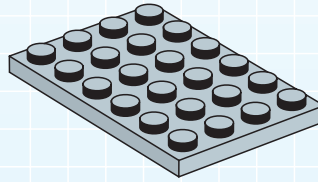
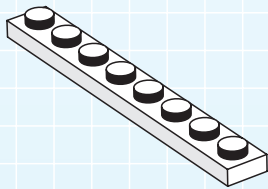


24

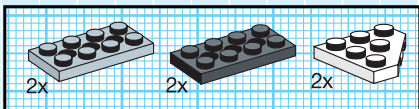
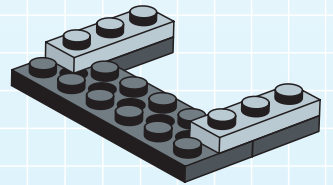
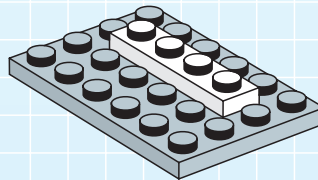
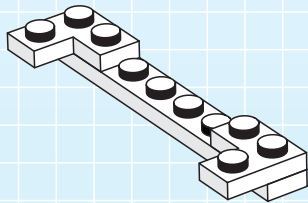




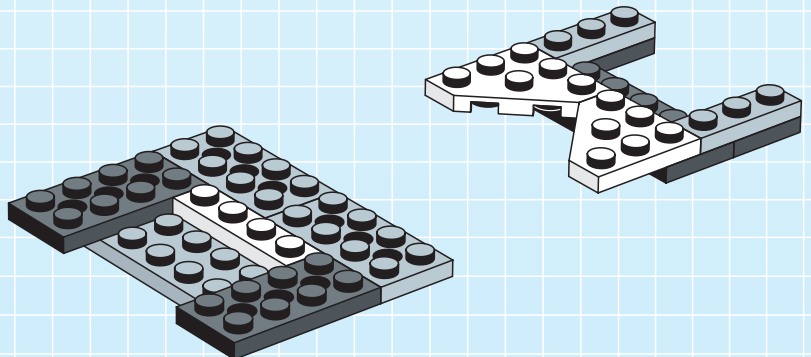
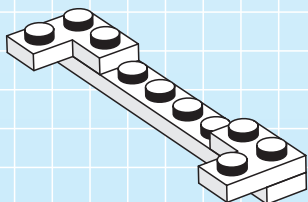
1

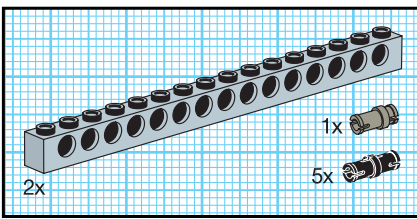


2

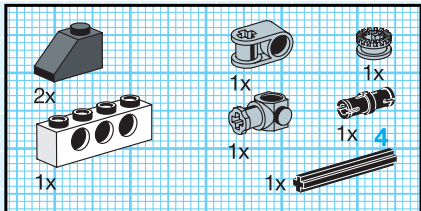
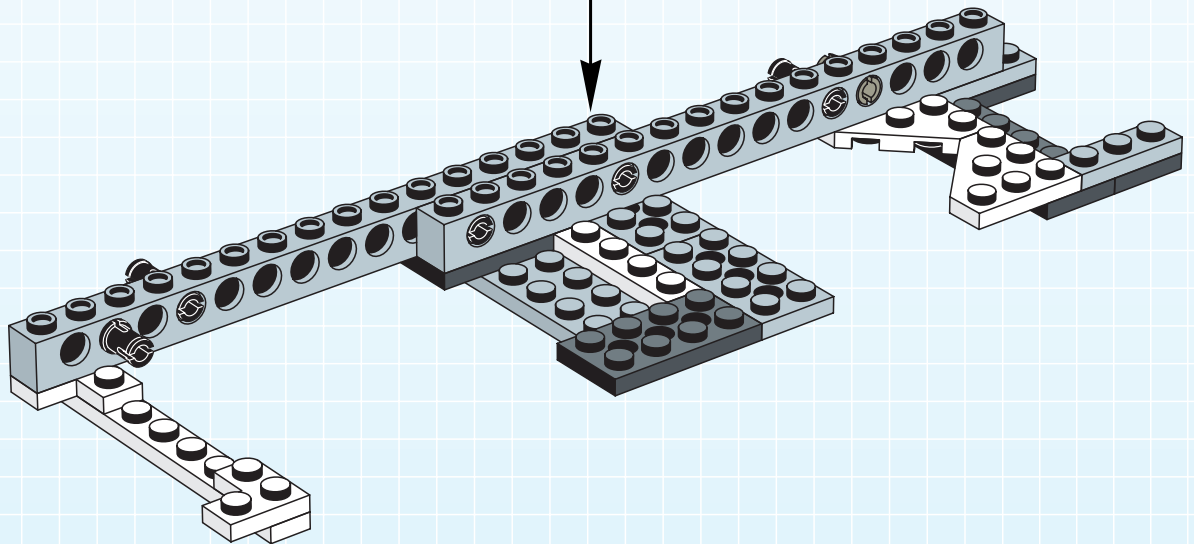
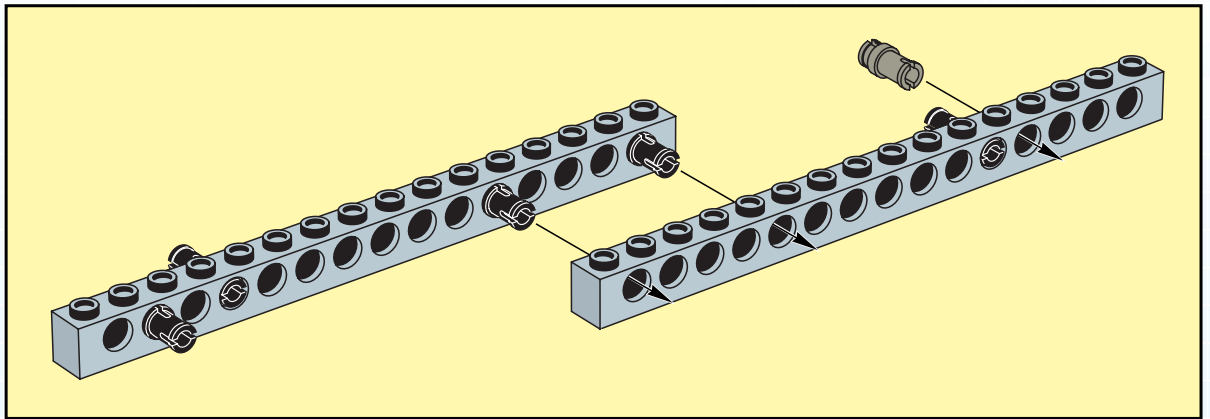


3

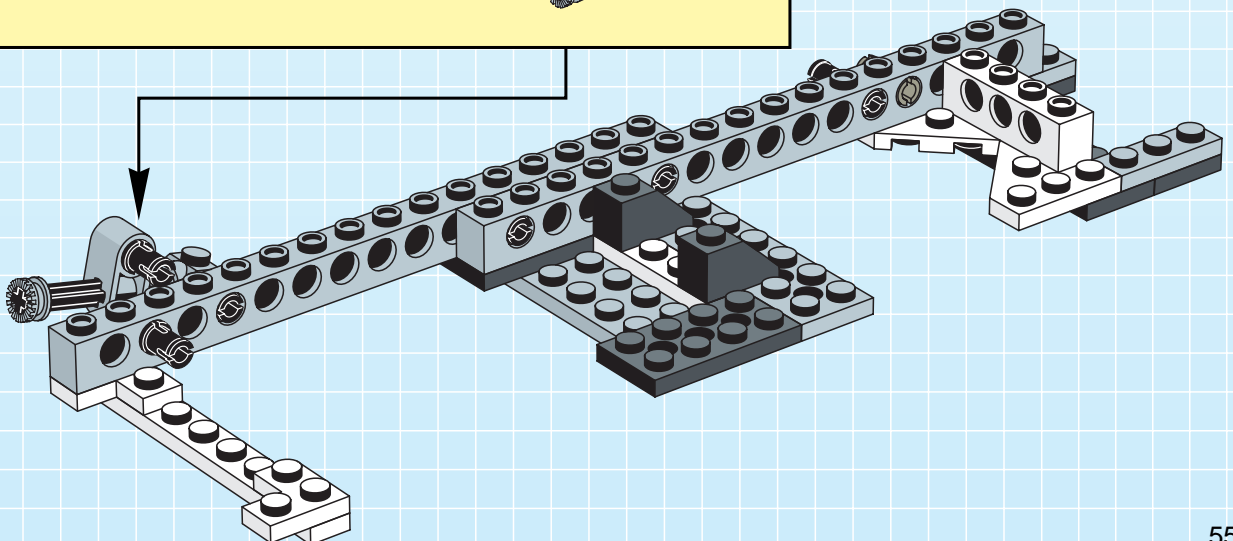
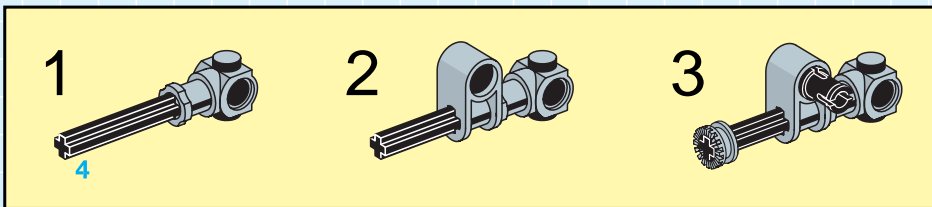


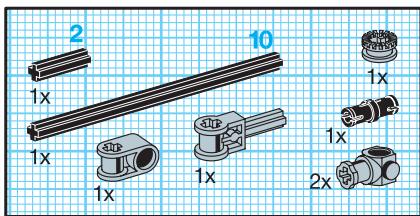


4

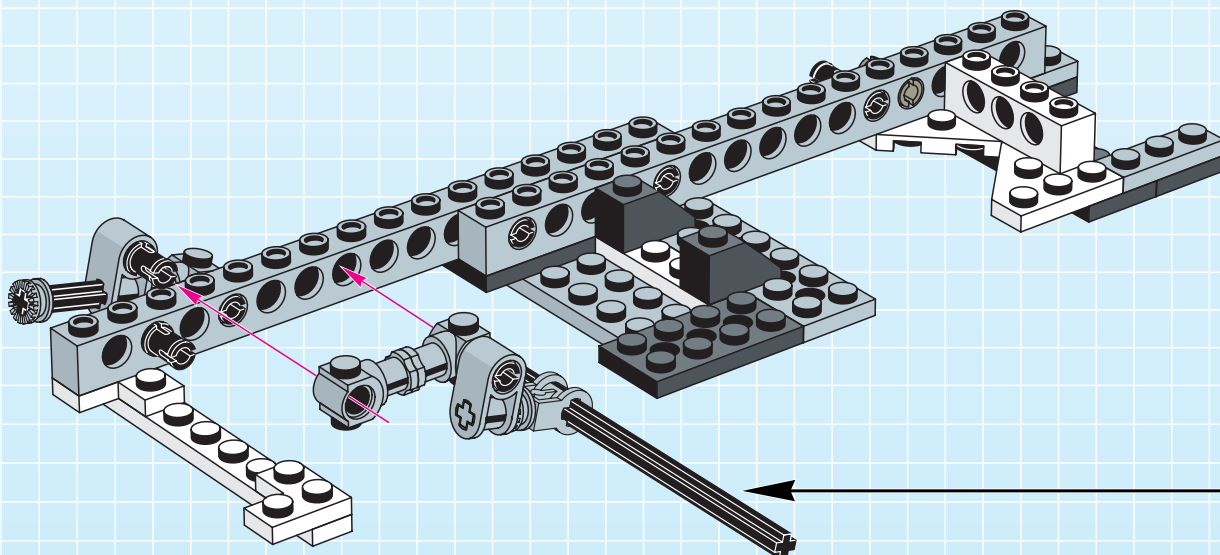
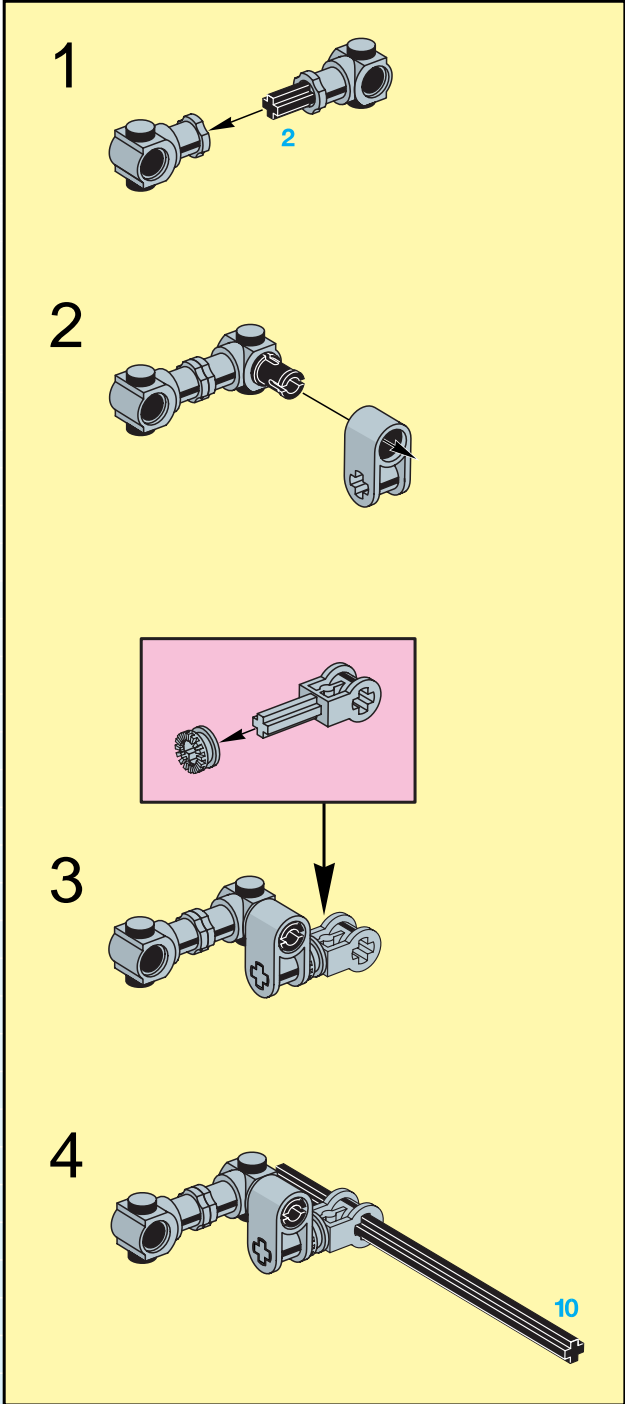


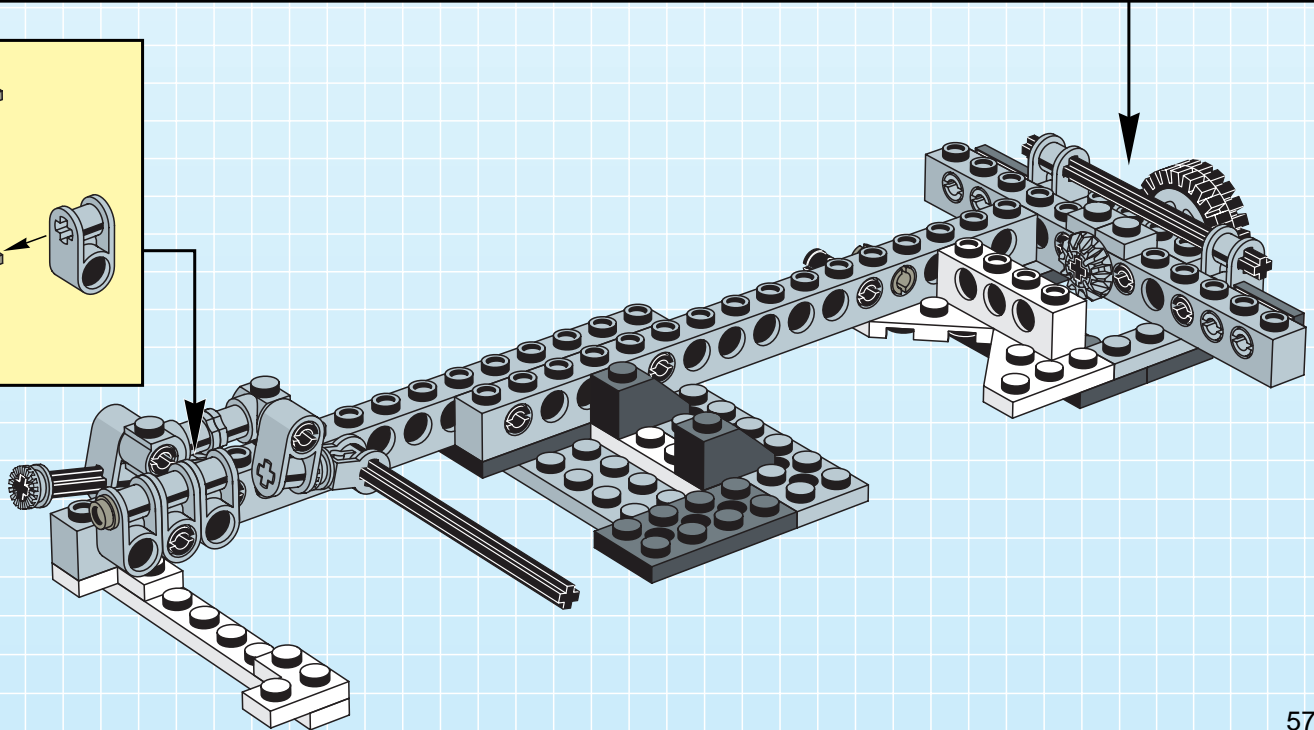
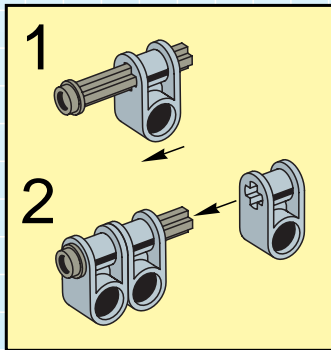
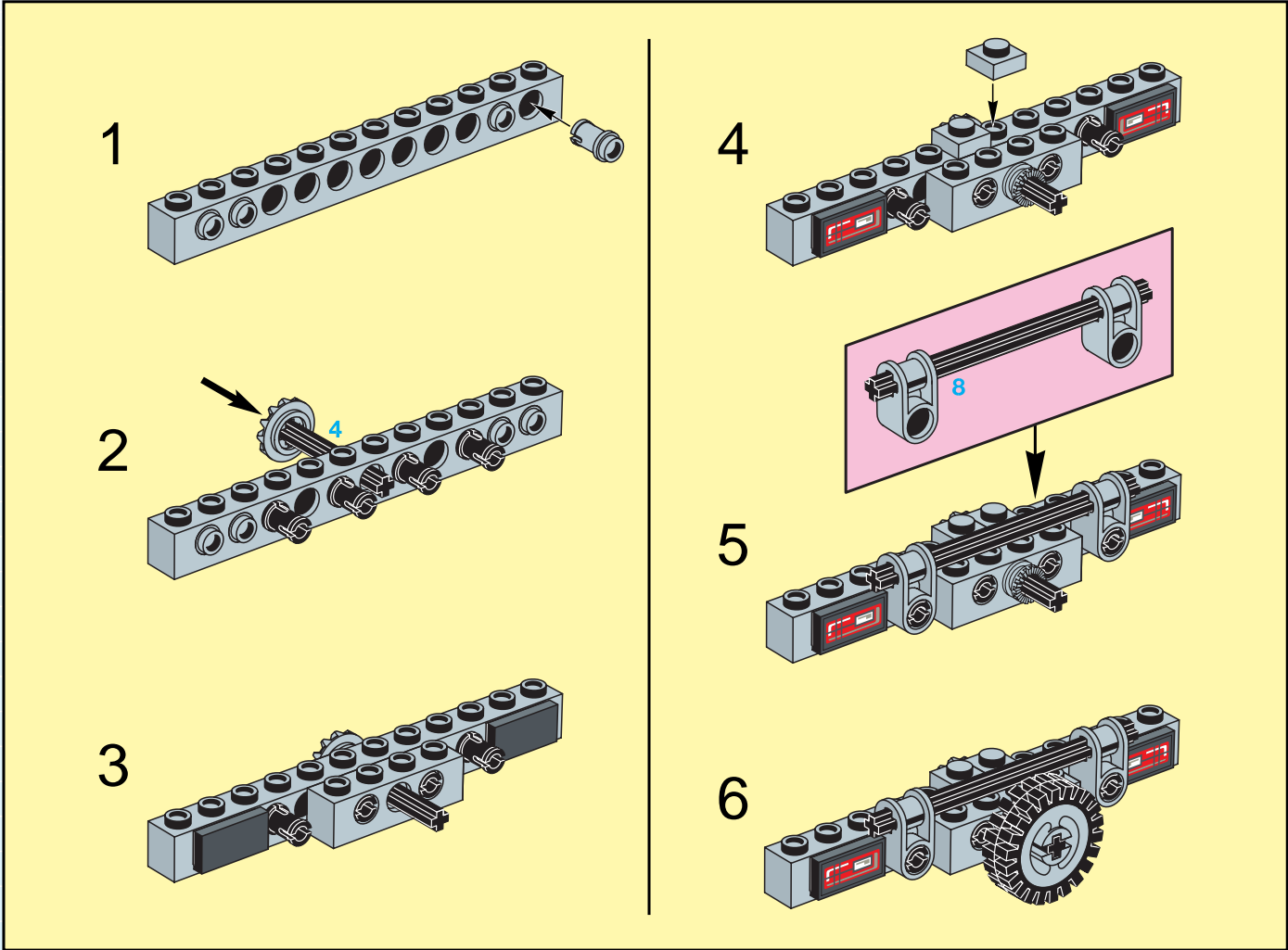
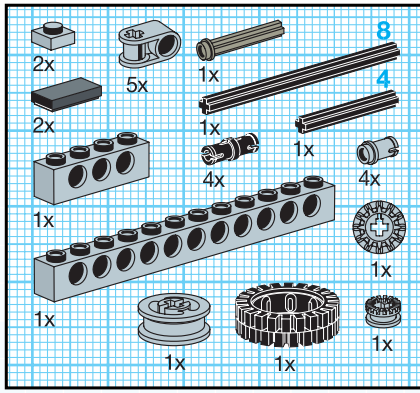
5

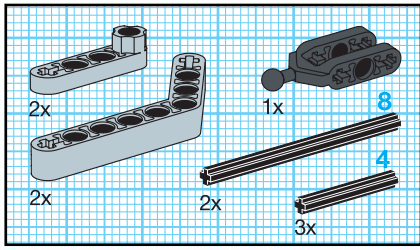




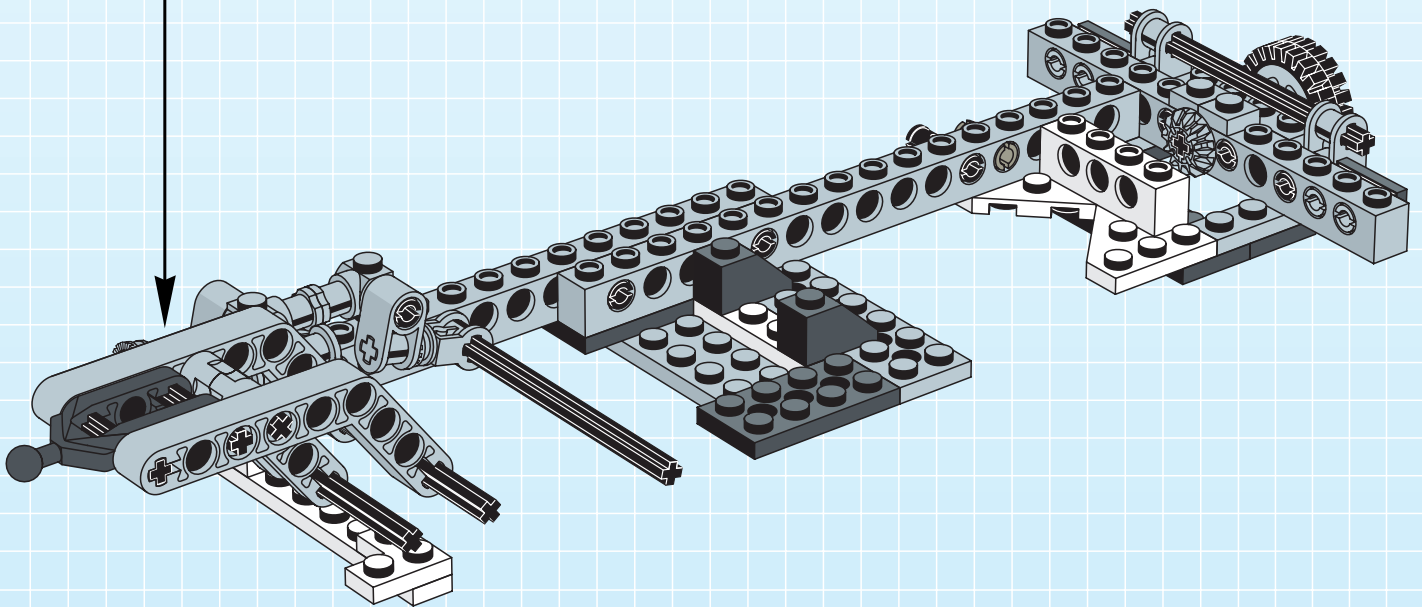
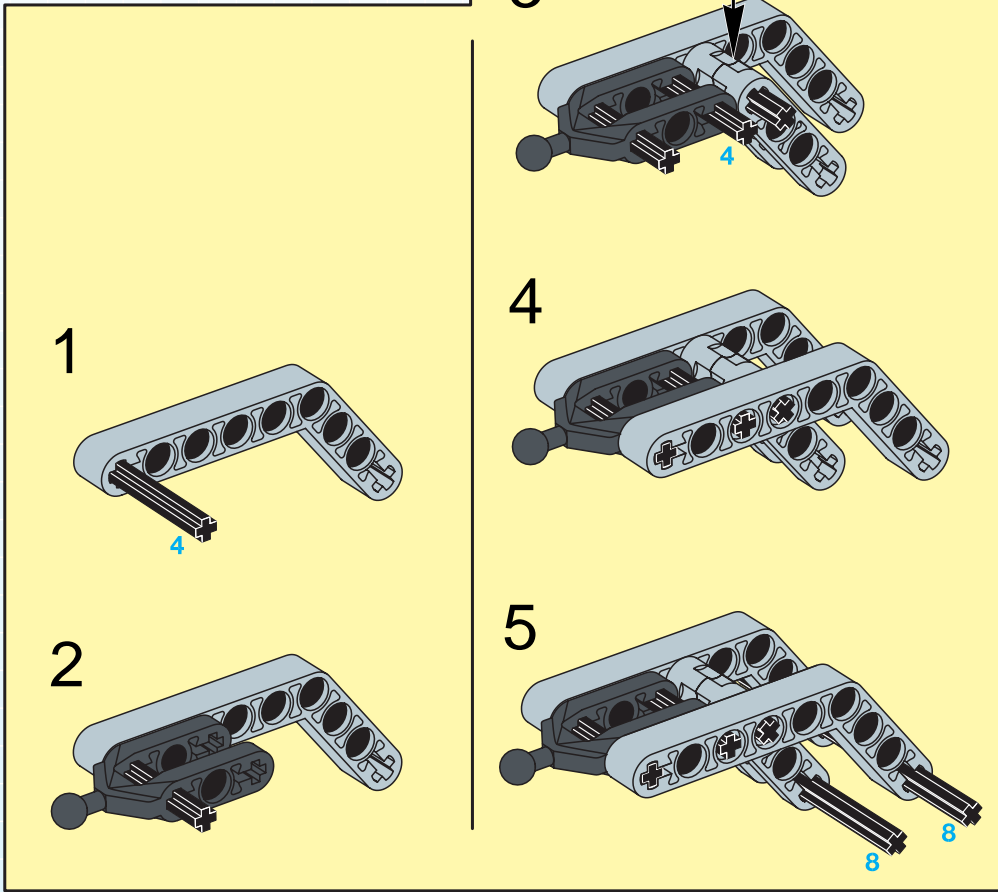
6

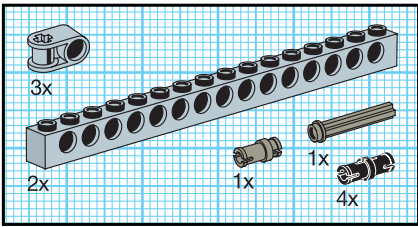




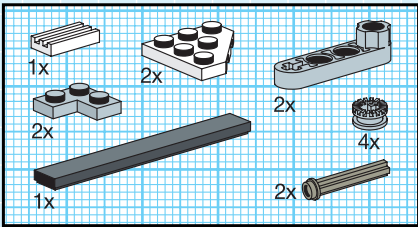
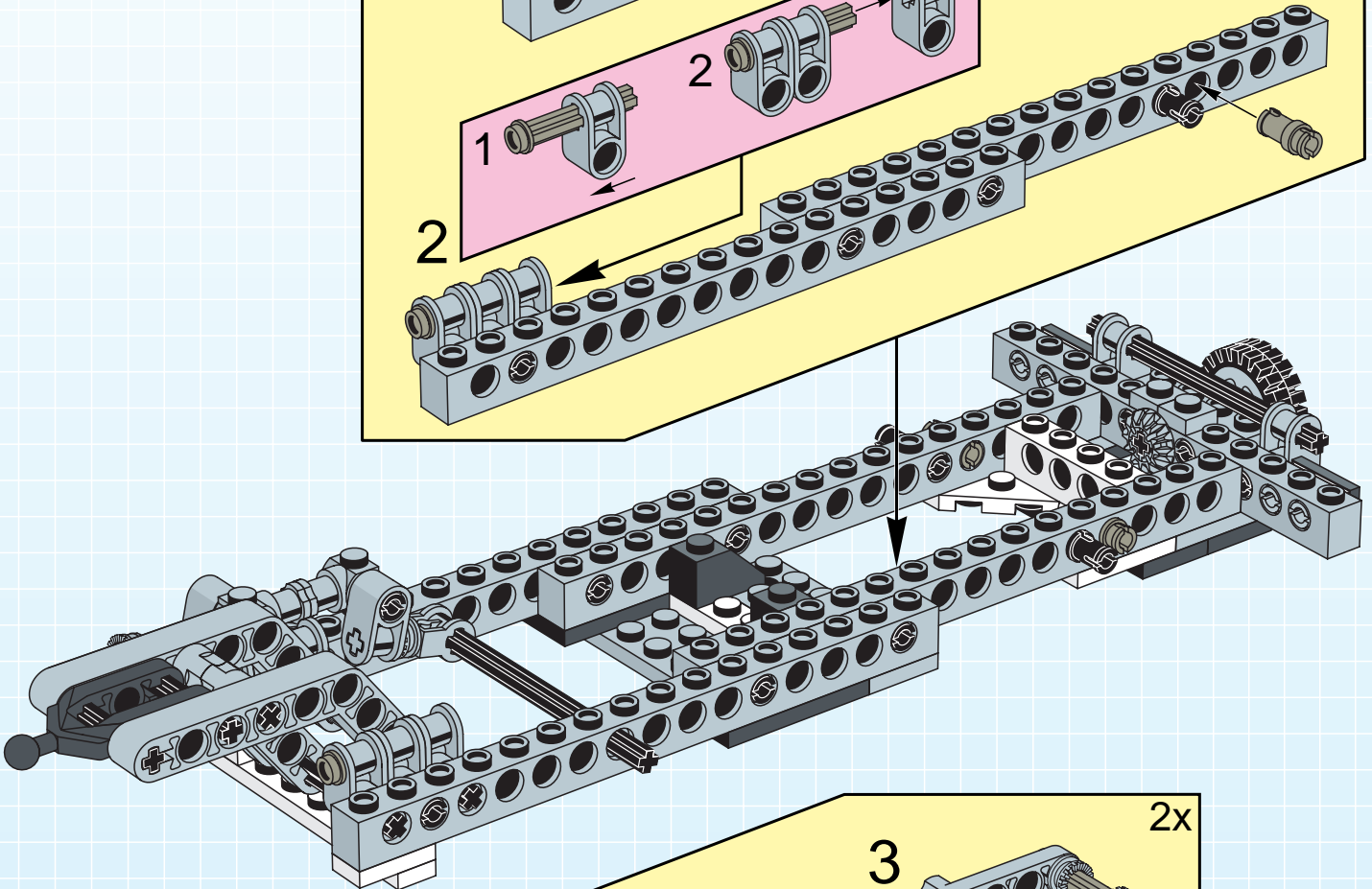
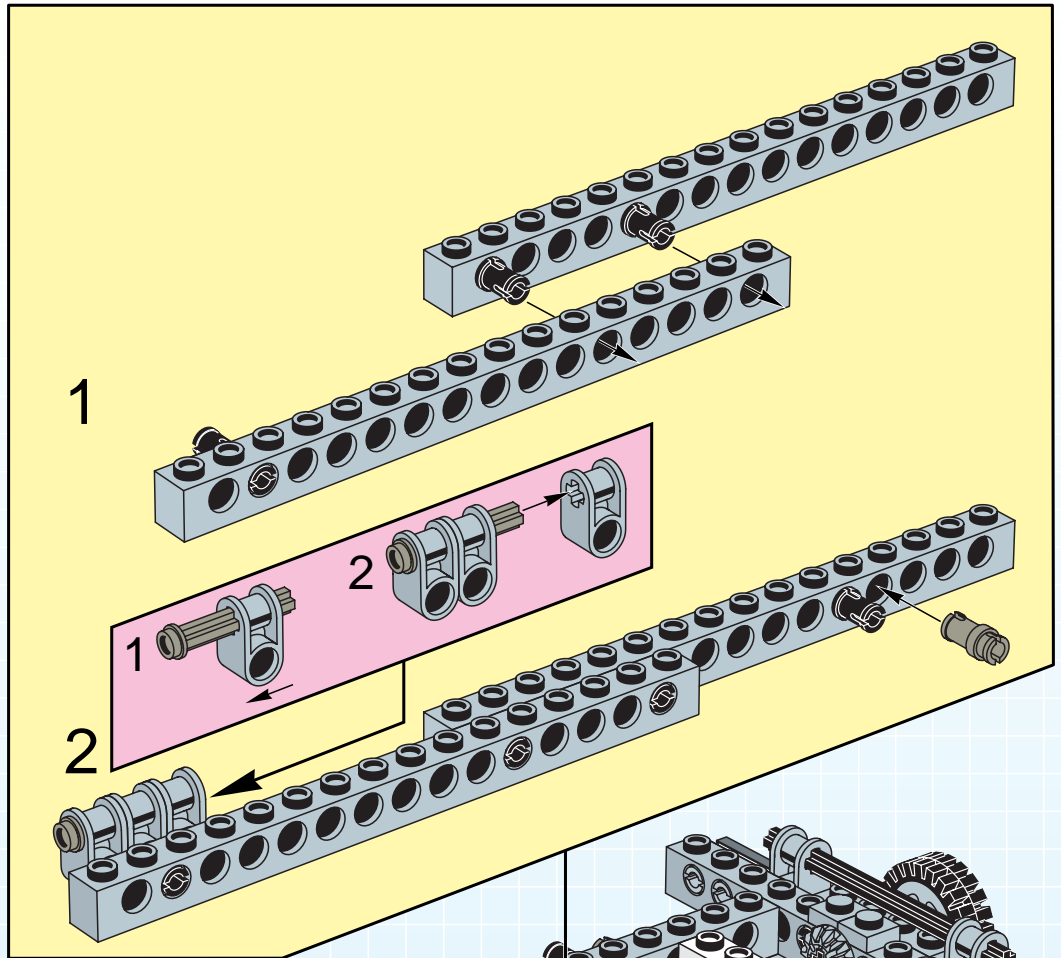


8

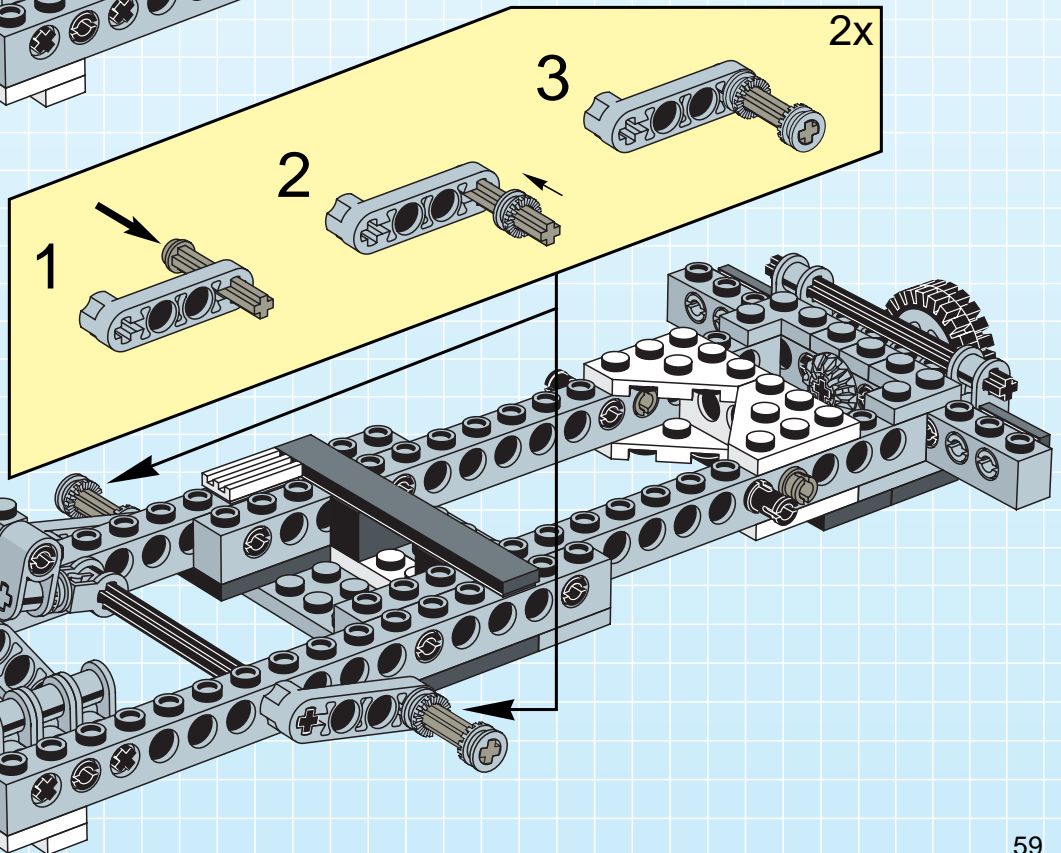


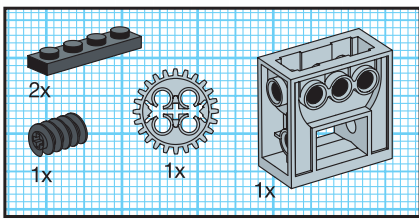


9

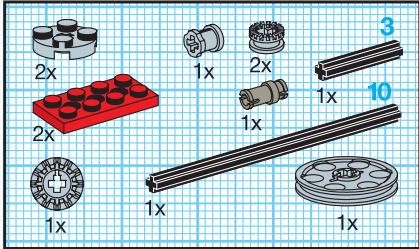
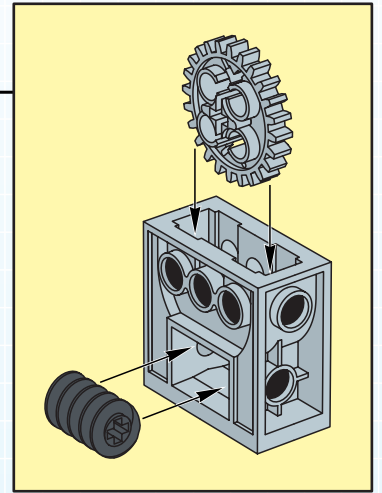
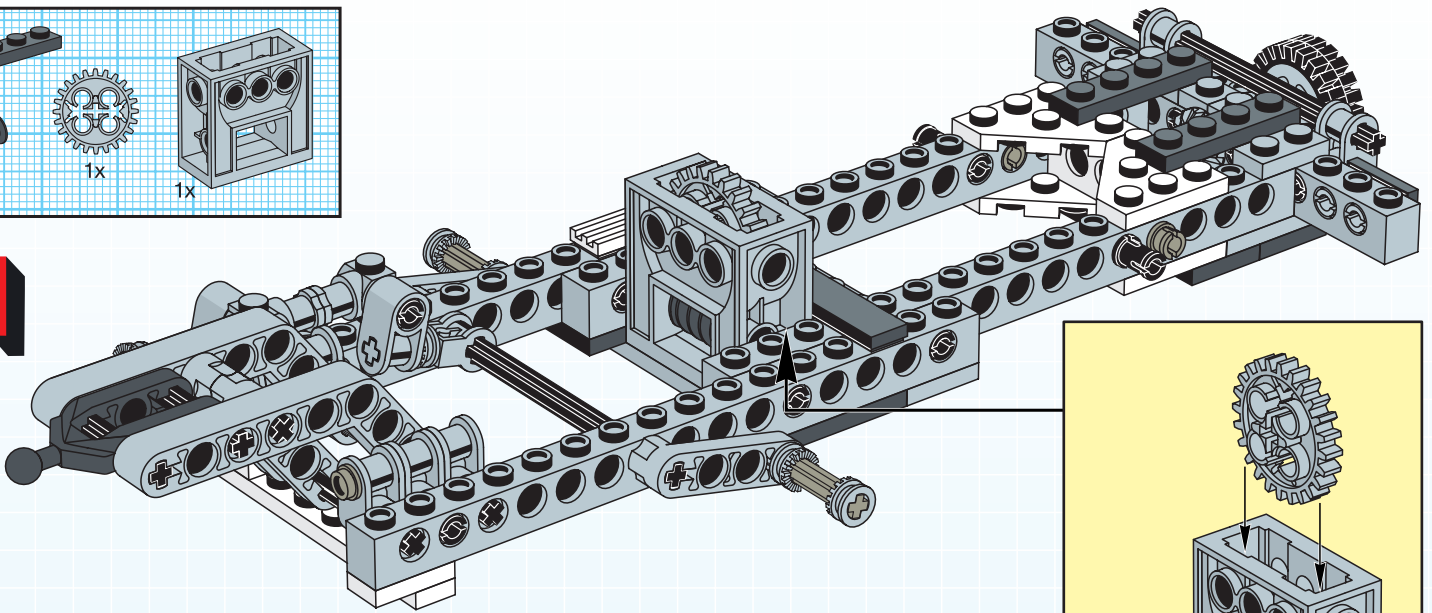


10

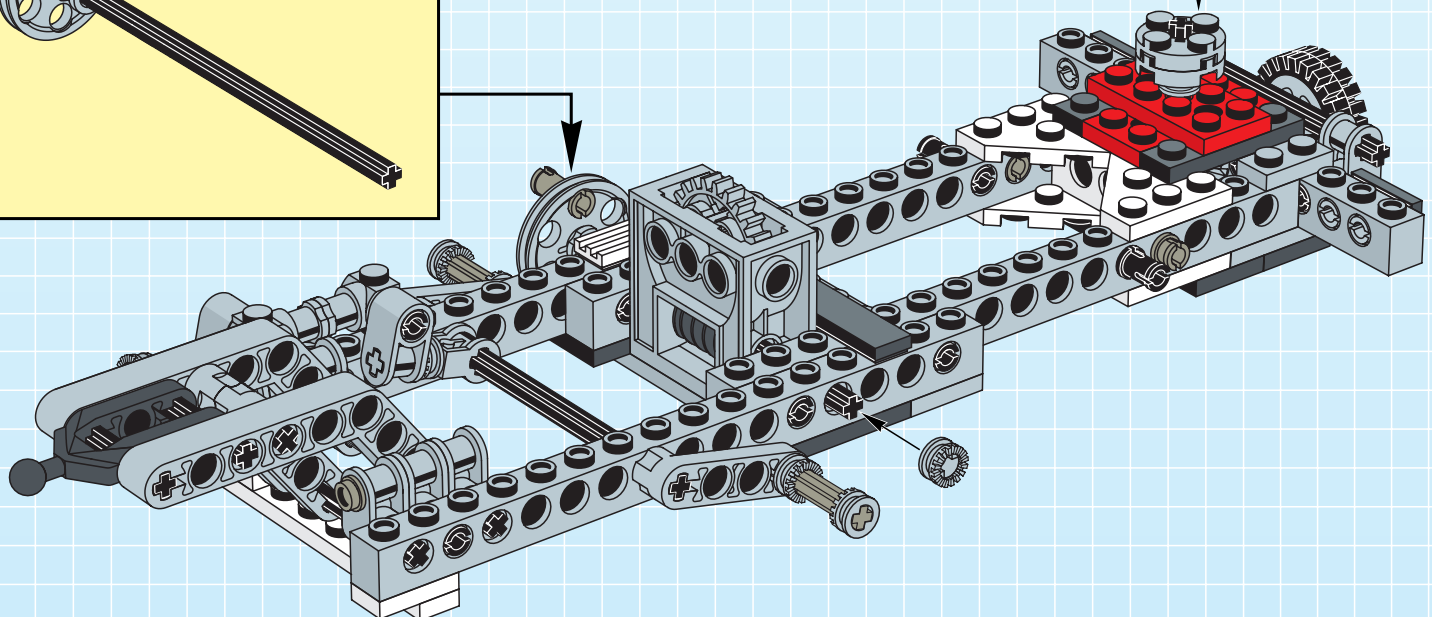
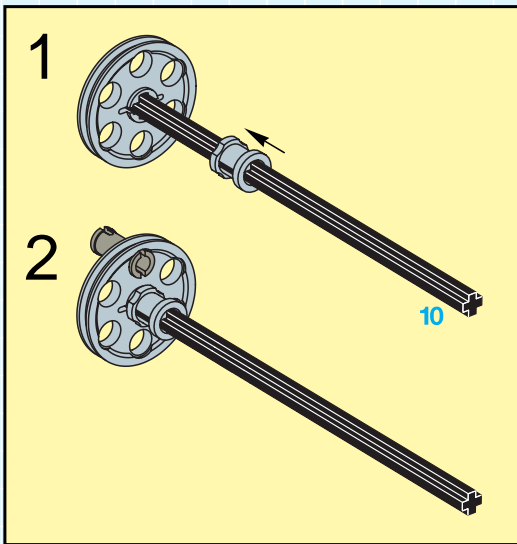
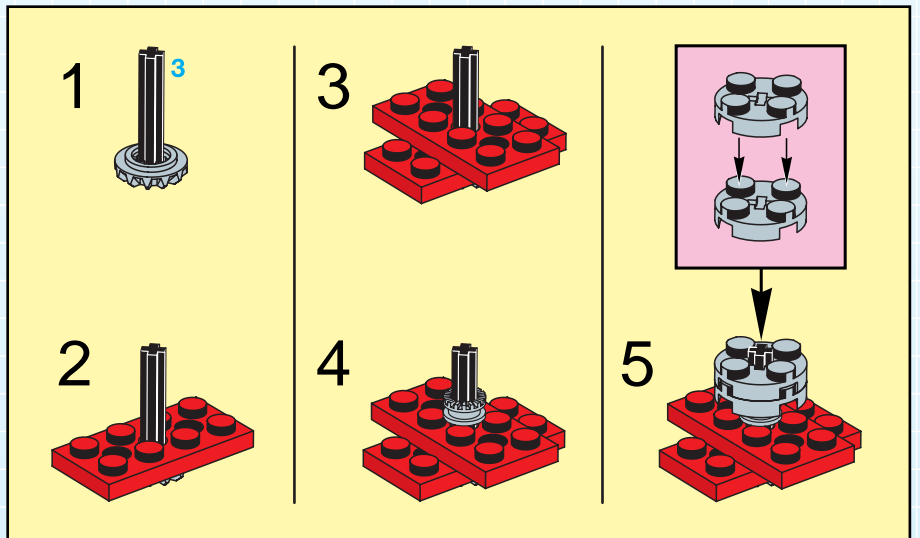


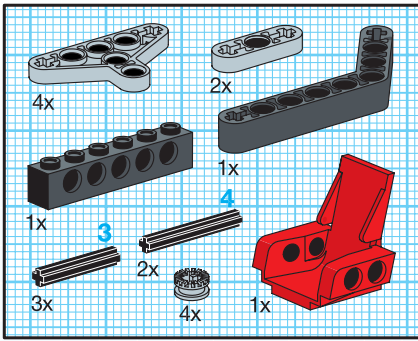


11

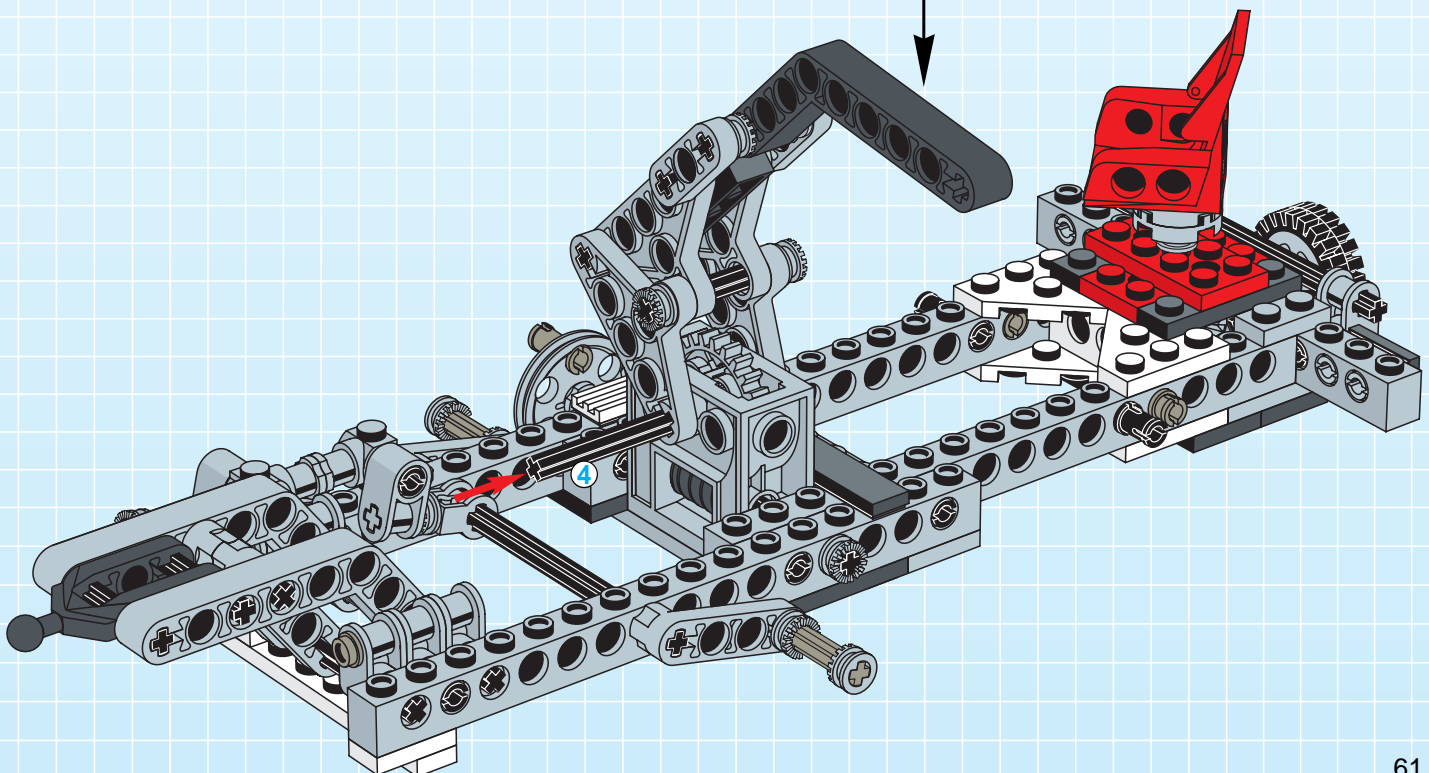
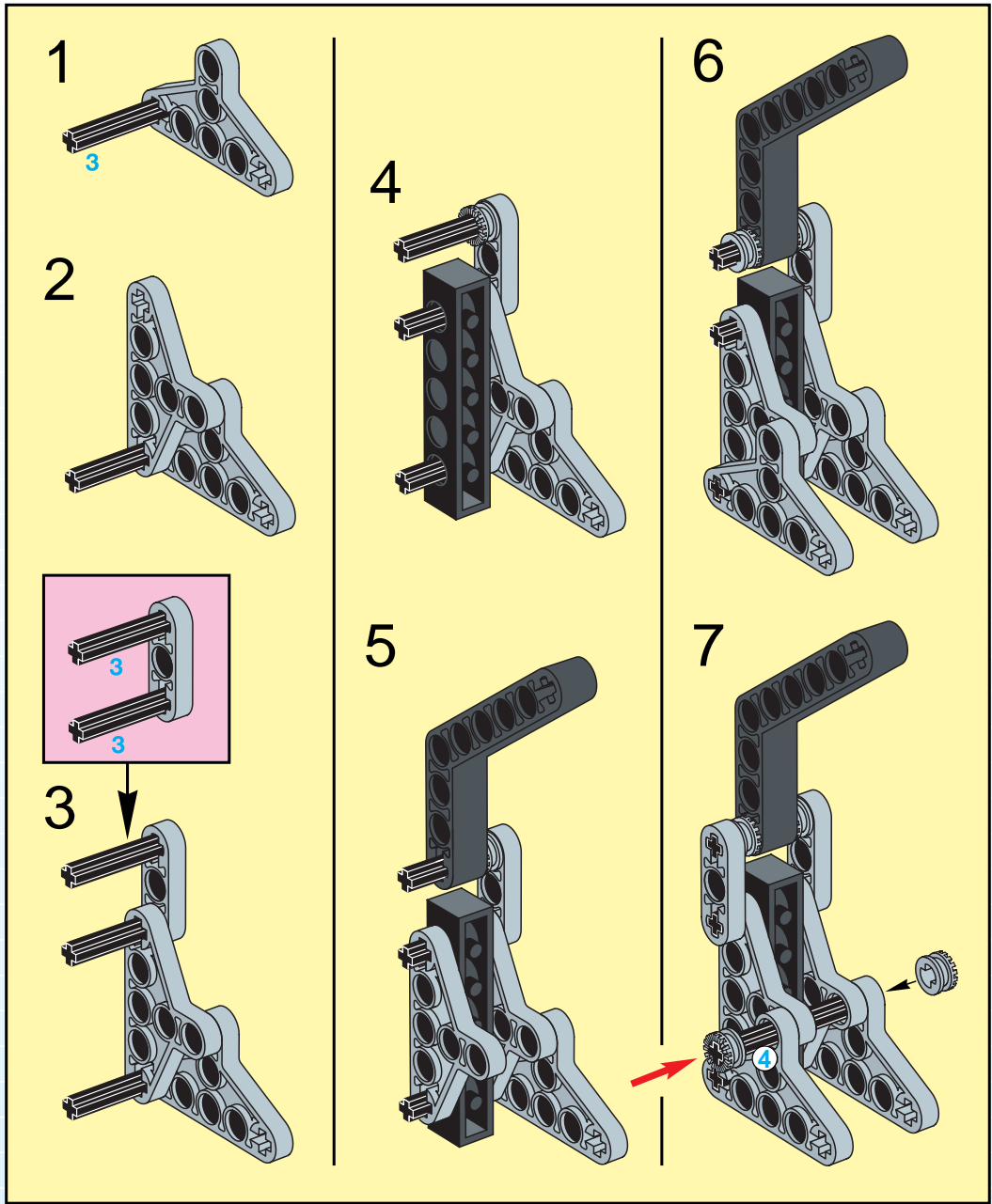


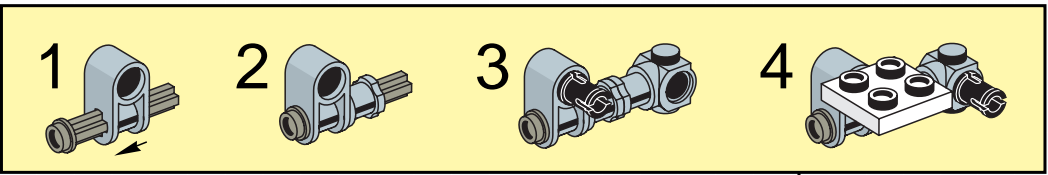
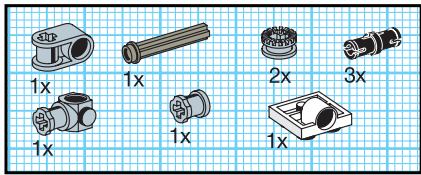
12



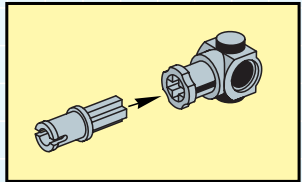
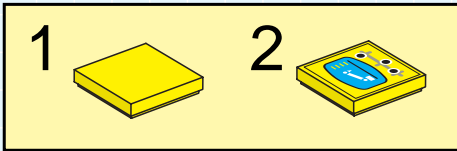
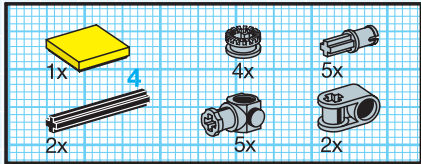
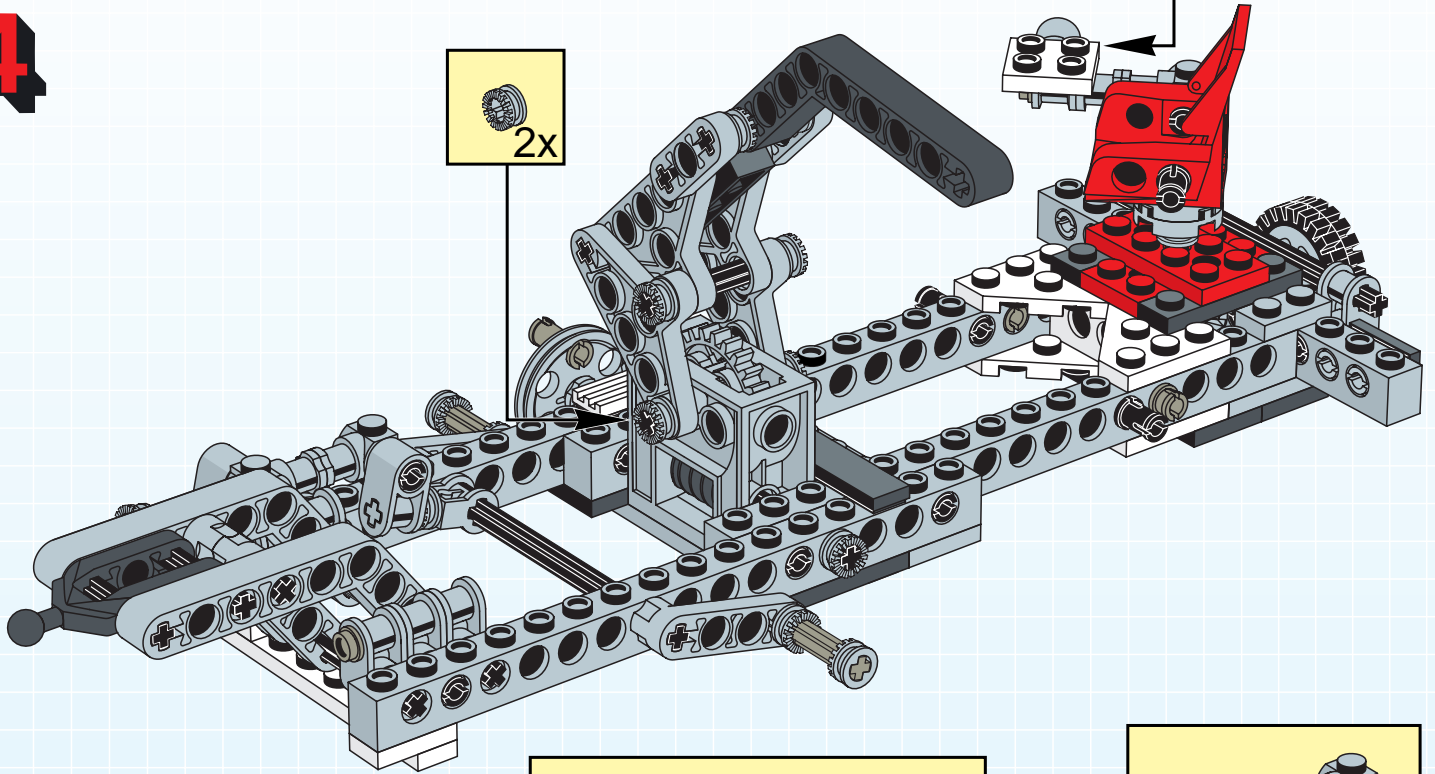
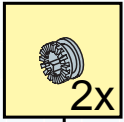


13

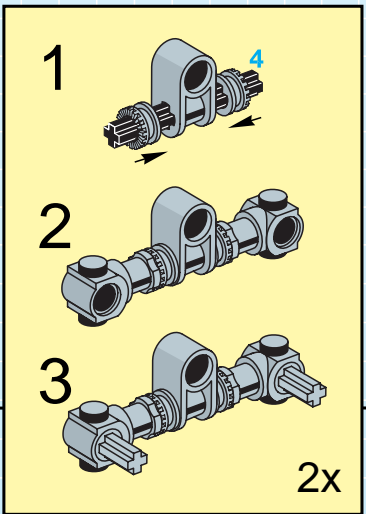
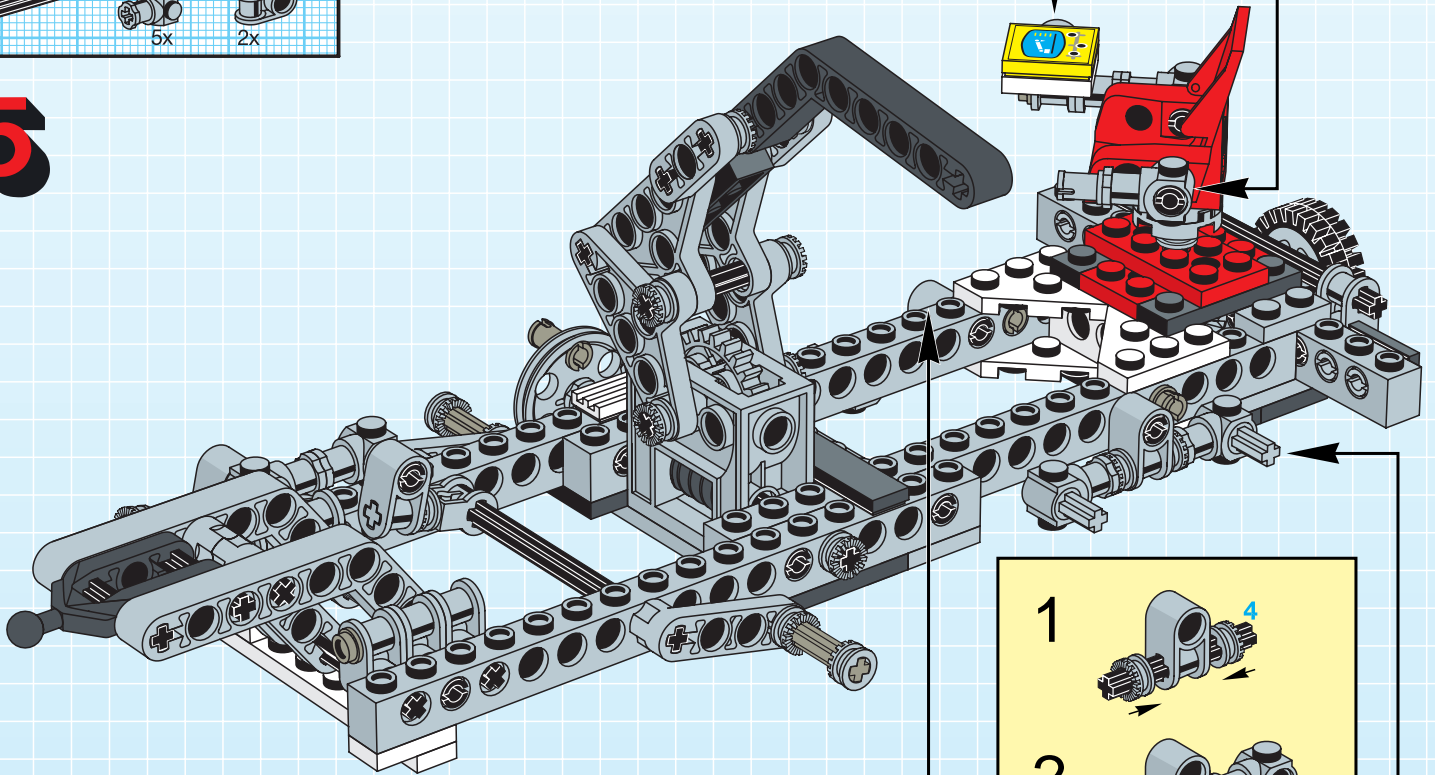


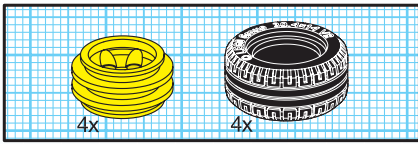


14

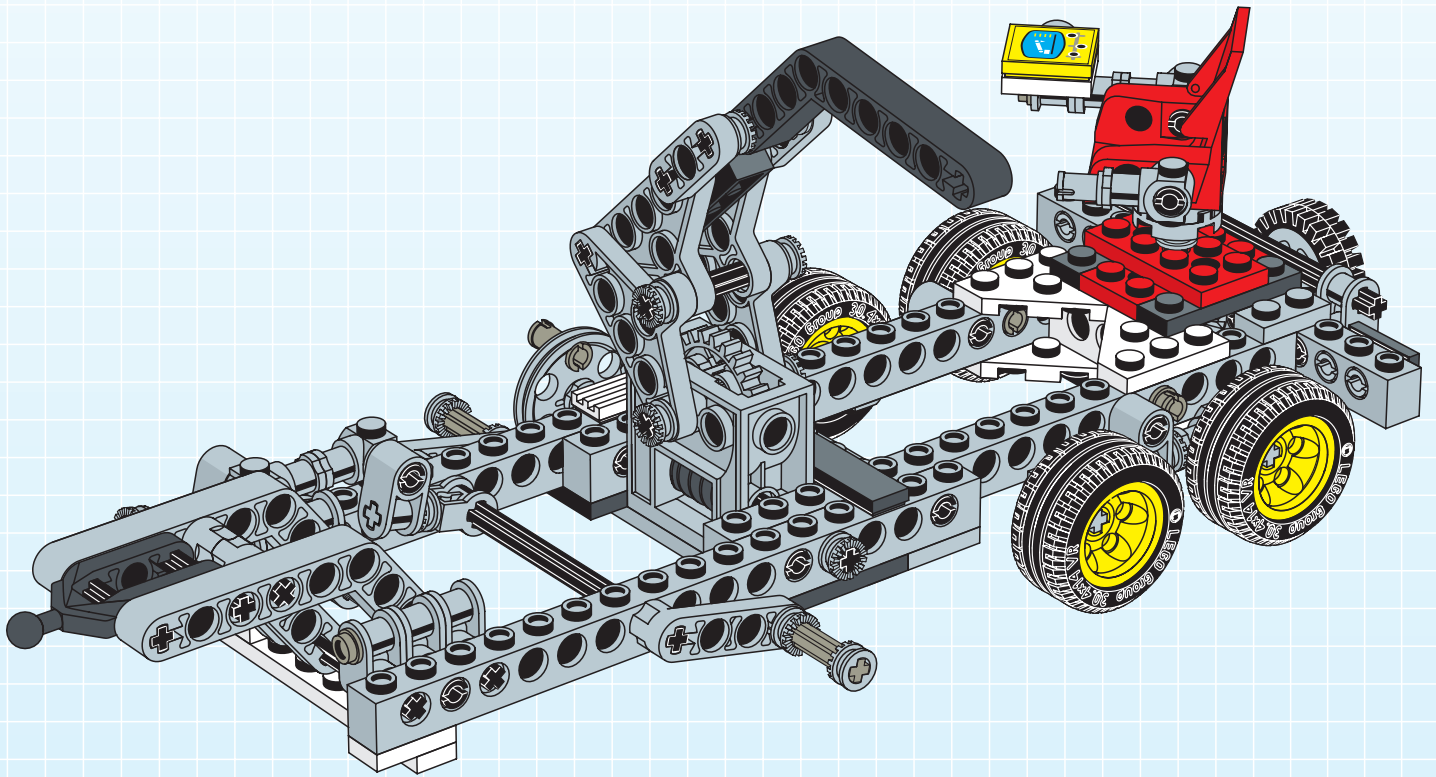


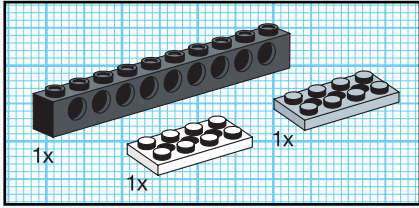
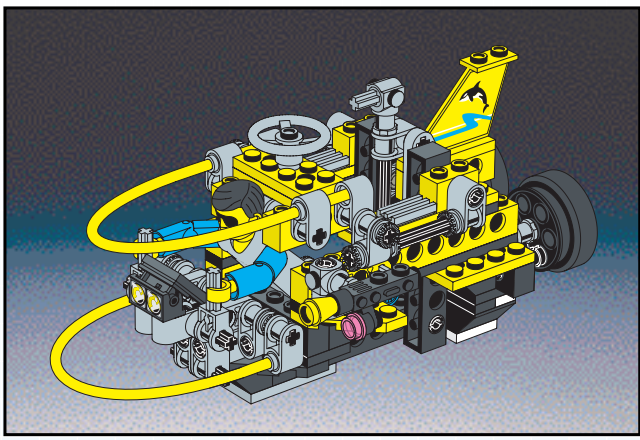
15



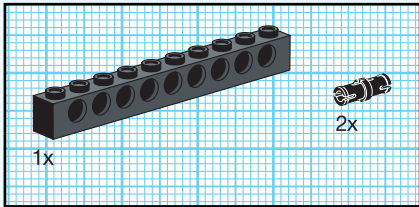
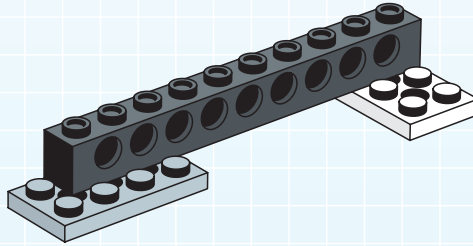


16

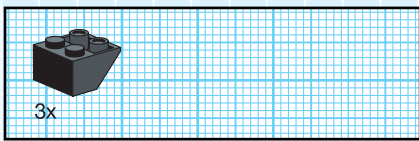
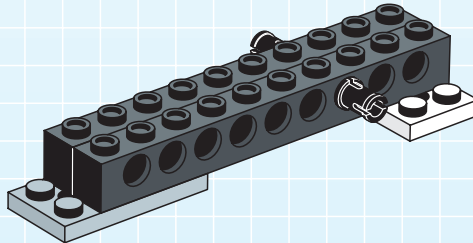




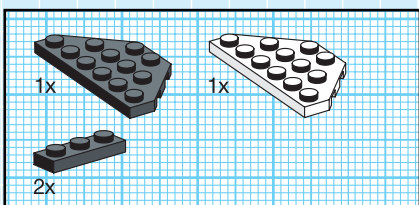
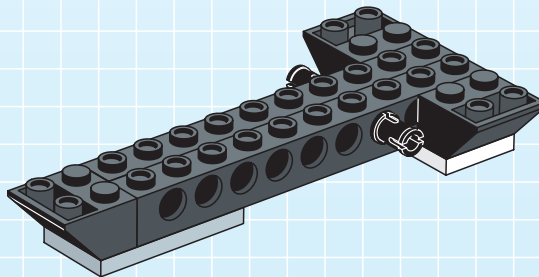
1



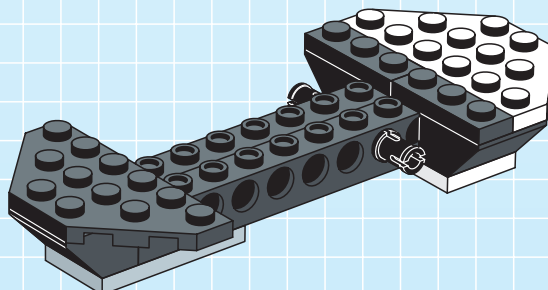
2

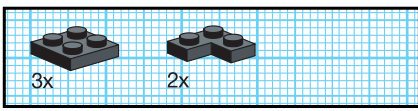


3

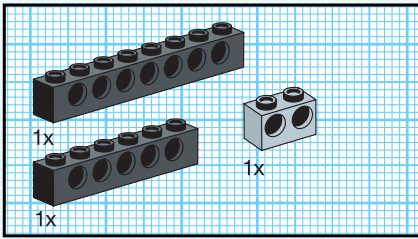
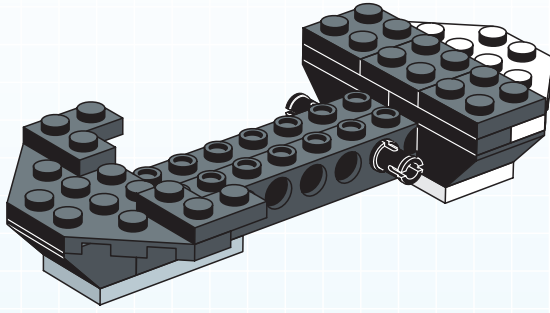


4

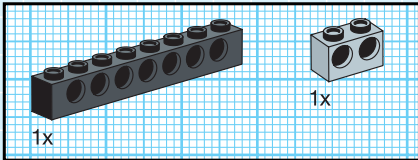
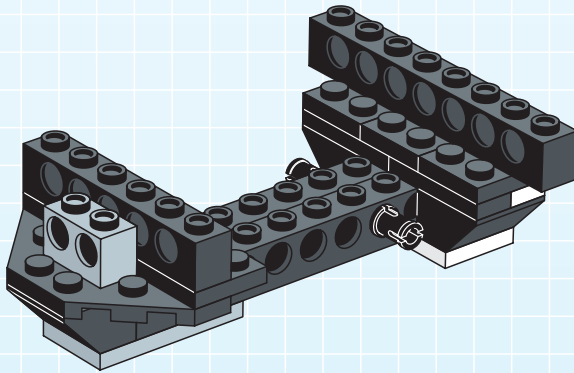




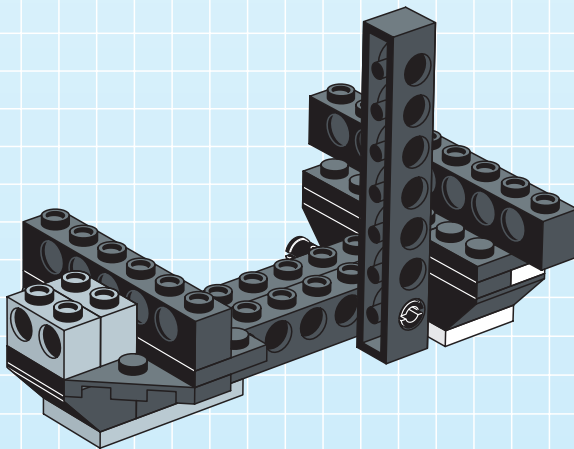
5

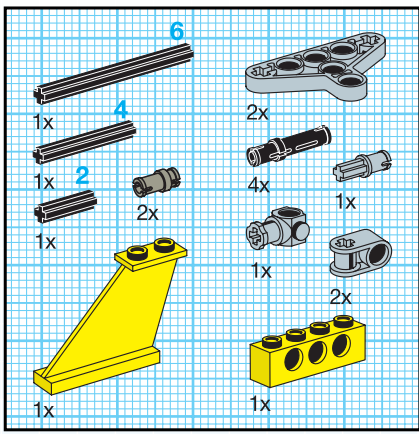


6



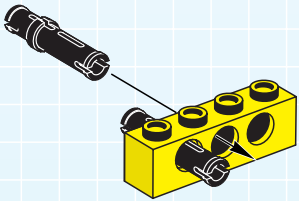
7



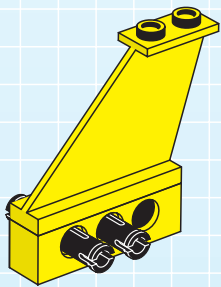


8

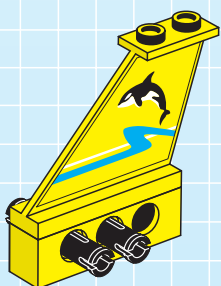
1



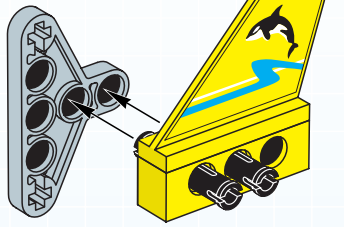
2



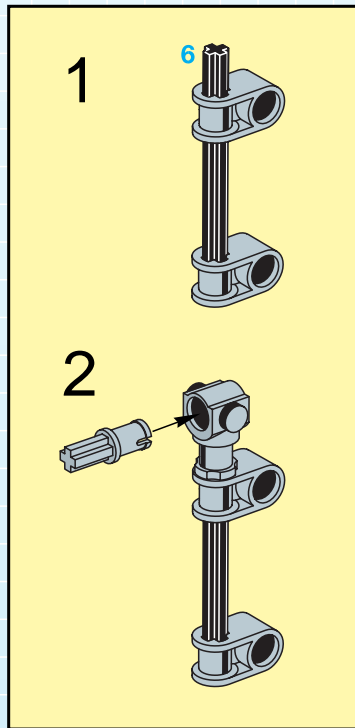
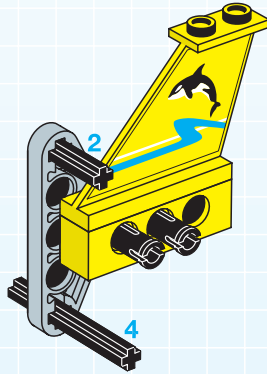
3



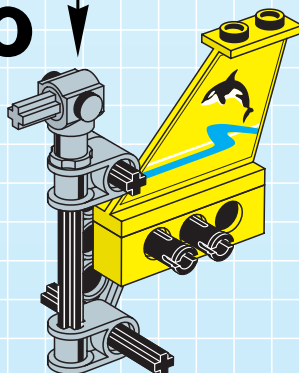
4



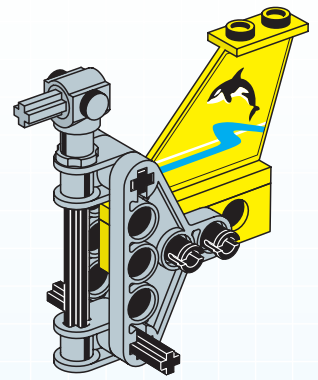
5



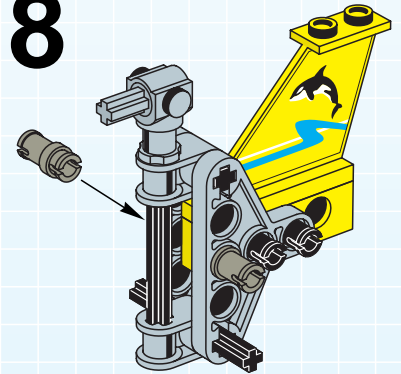
6

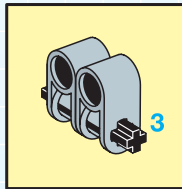
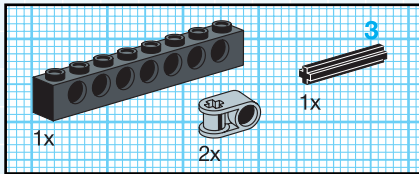
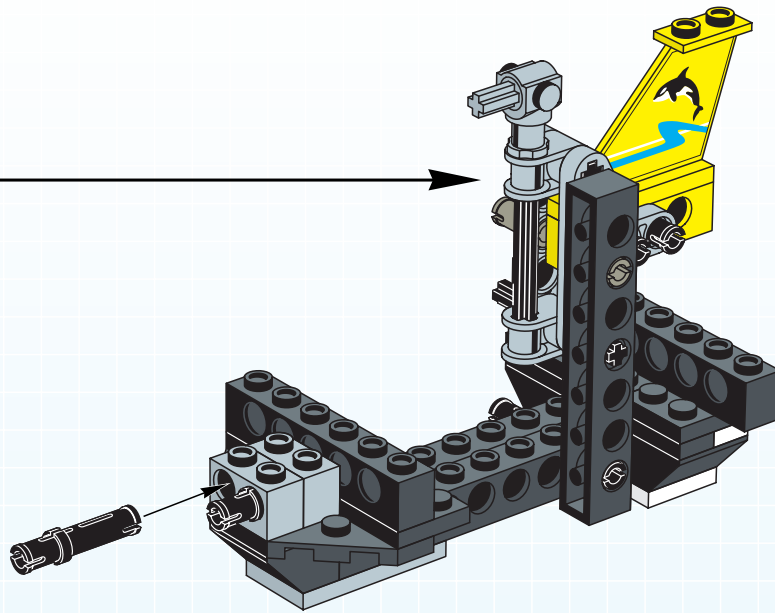


7

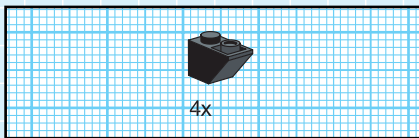
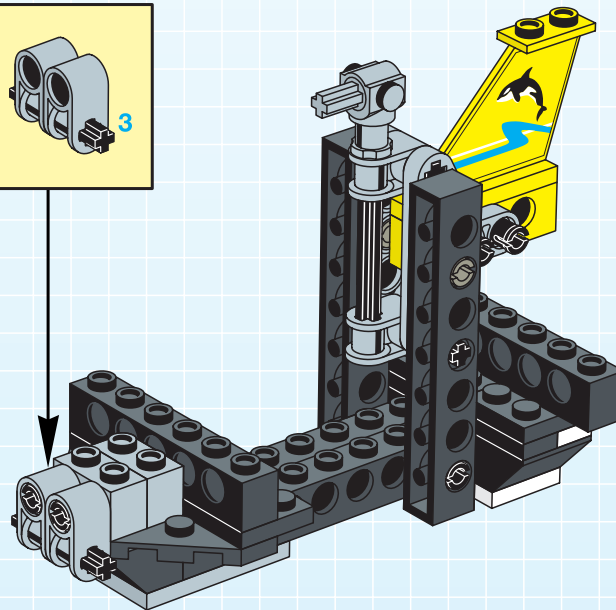


8

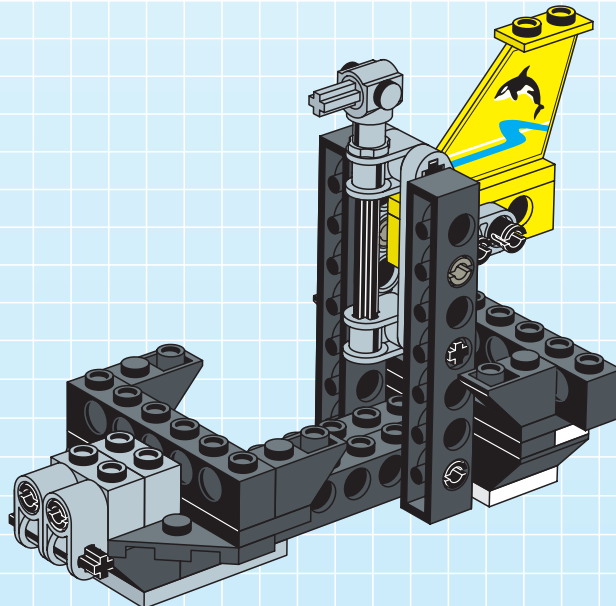


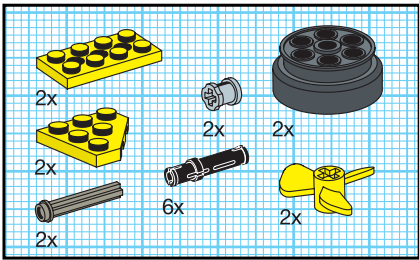


9

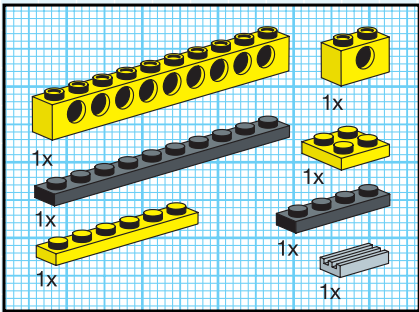
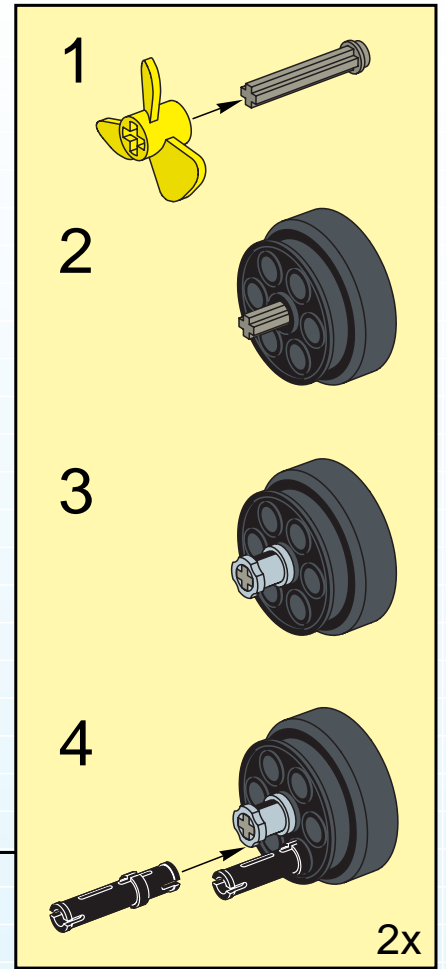
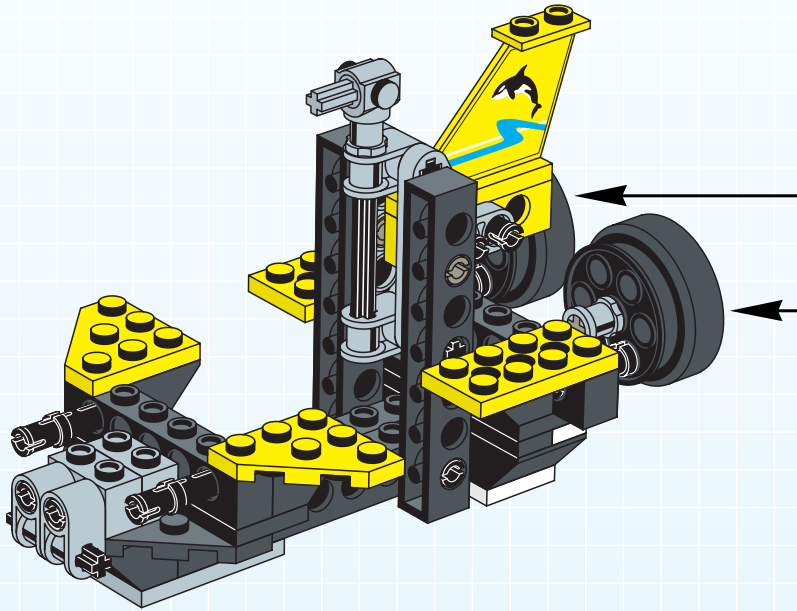


10

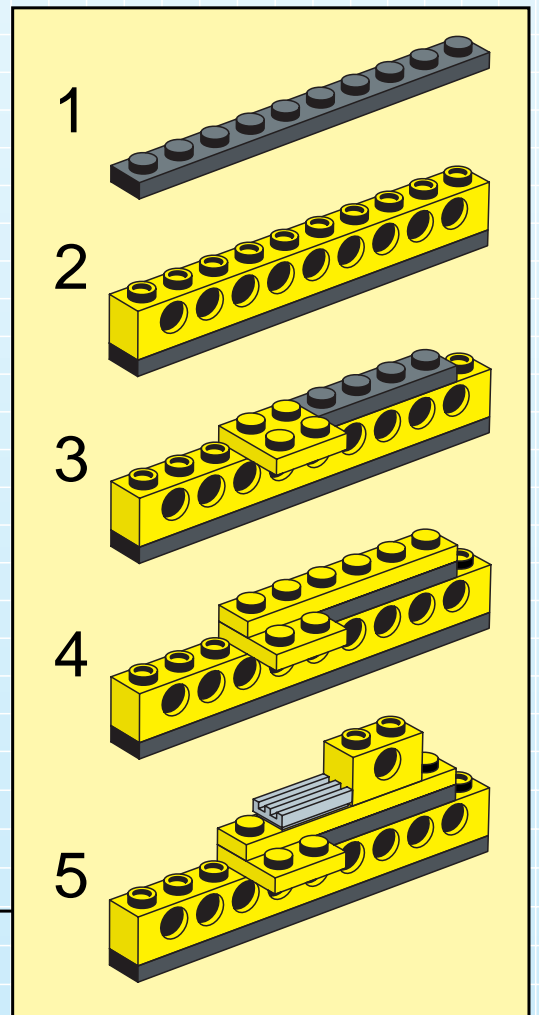
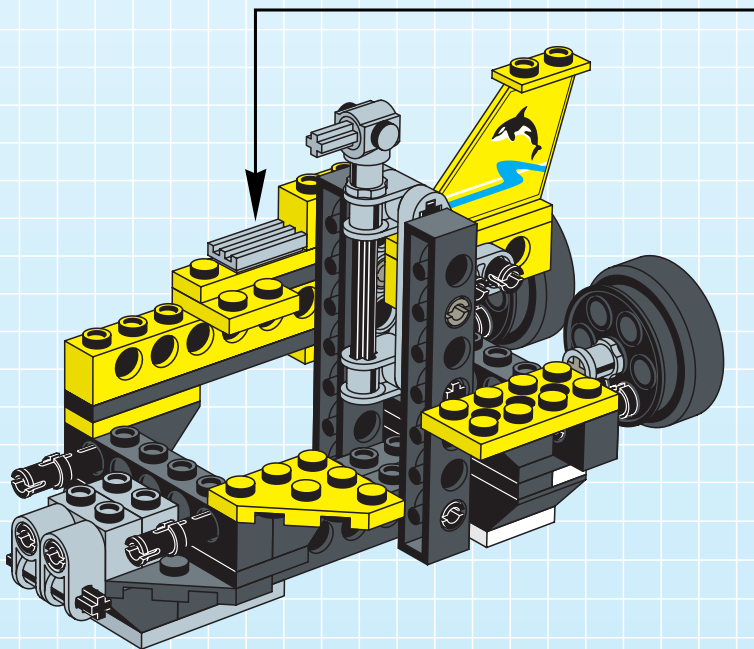


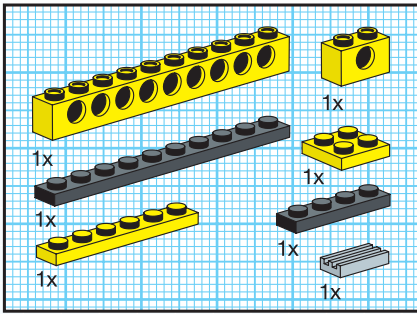


11

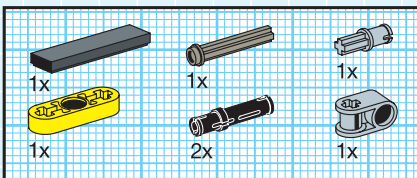
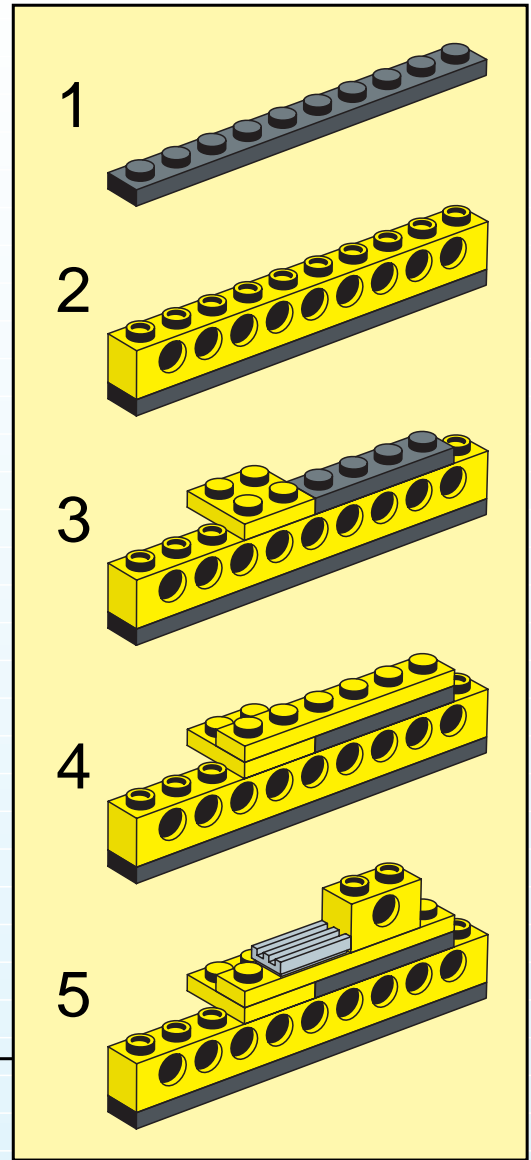
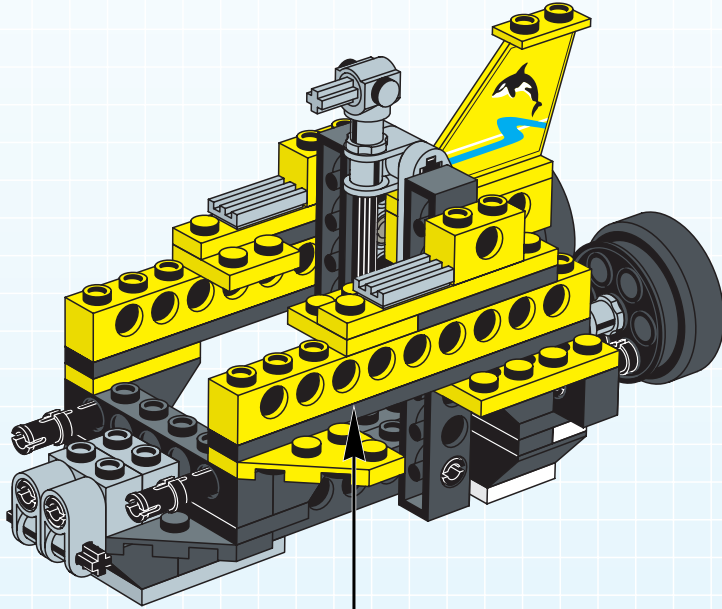


12

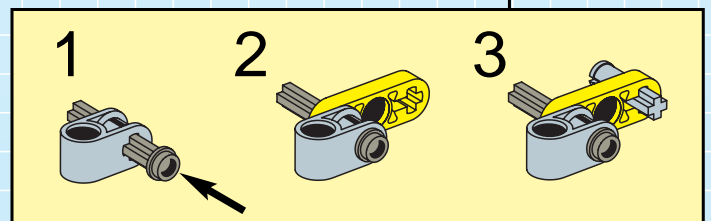
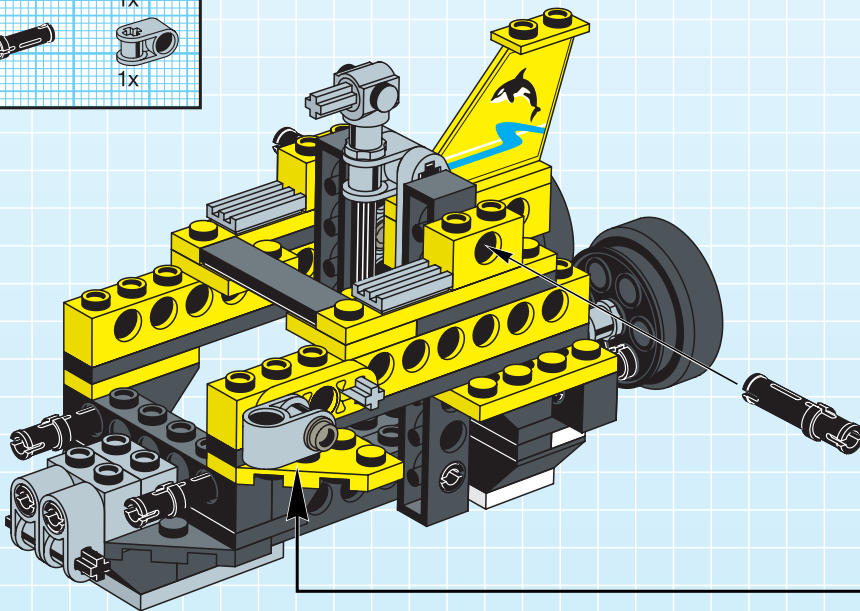


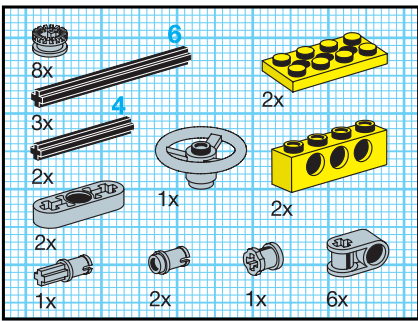


13

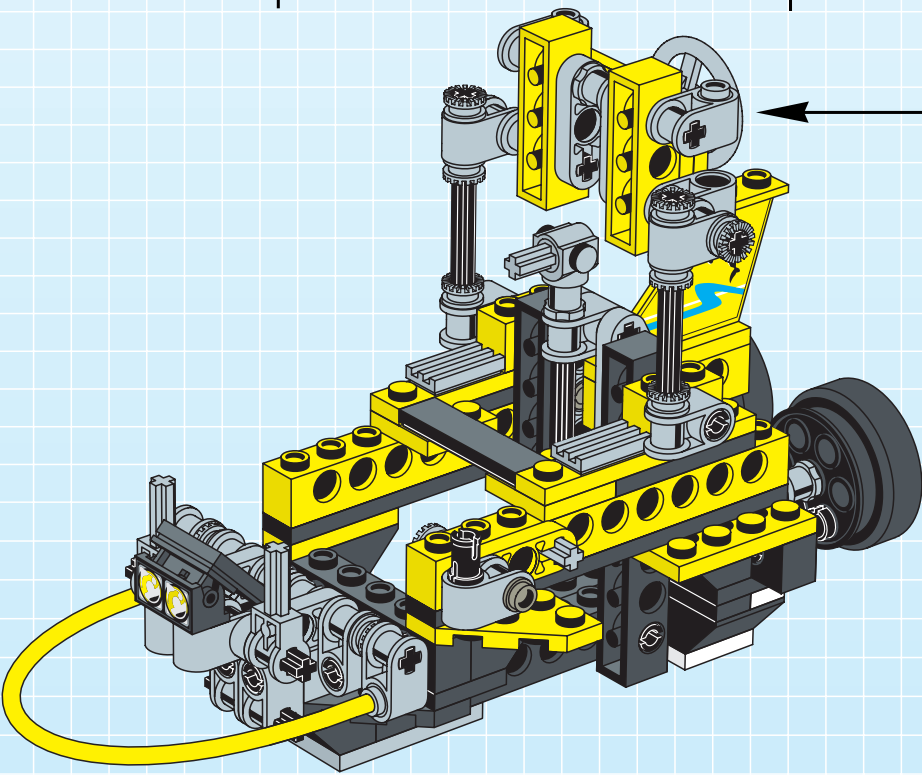
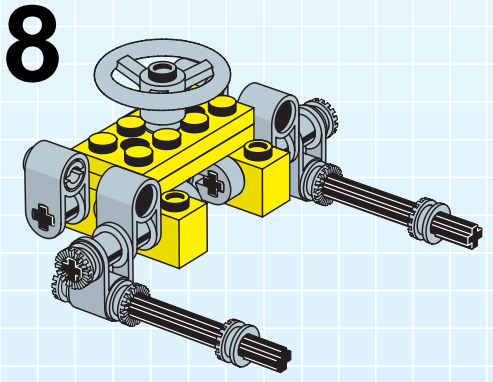
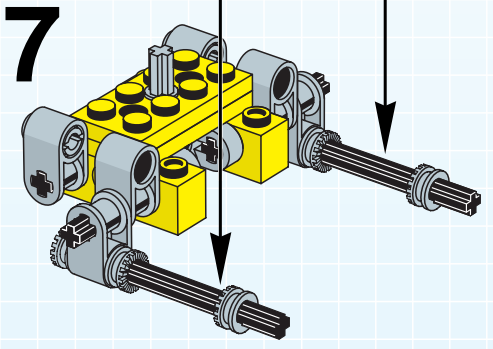
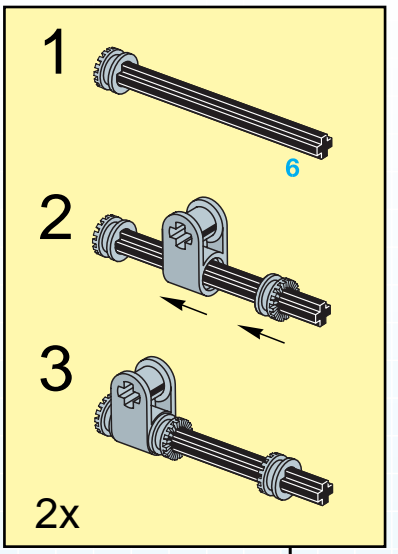
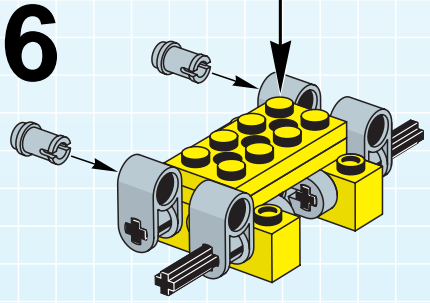
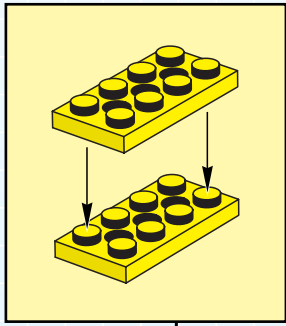
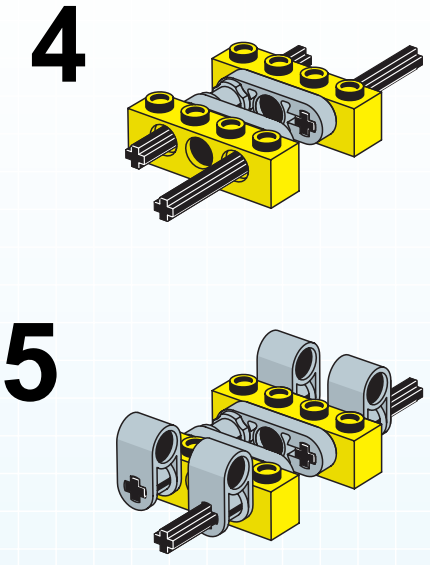
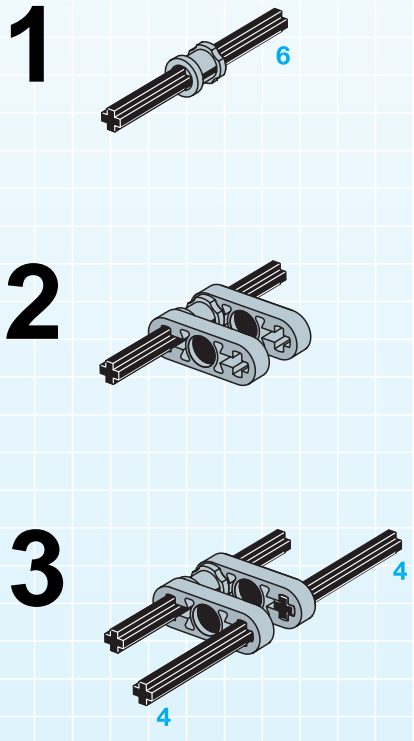


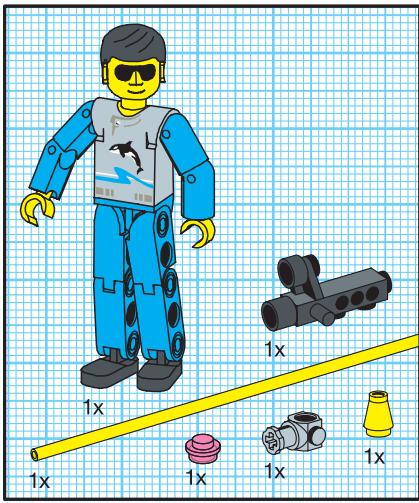
14



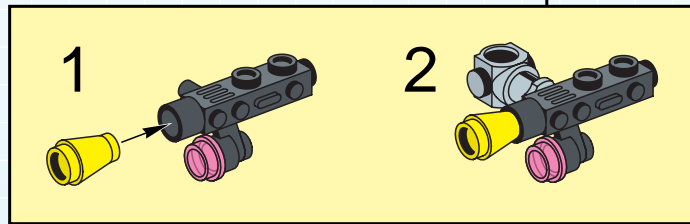
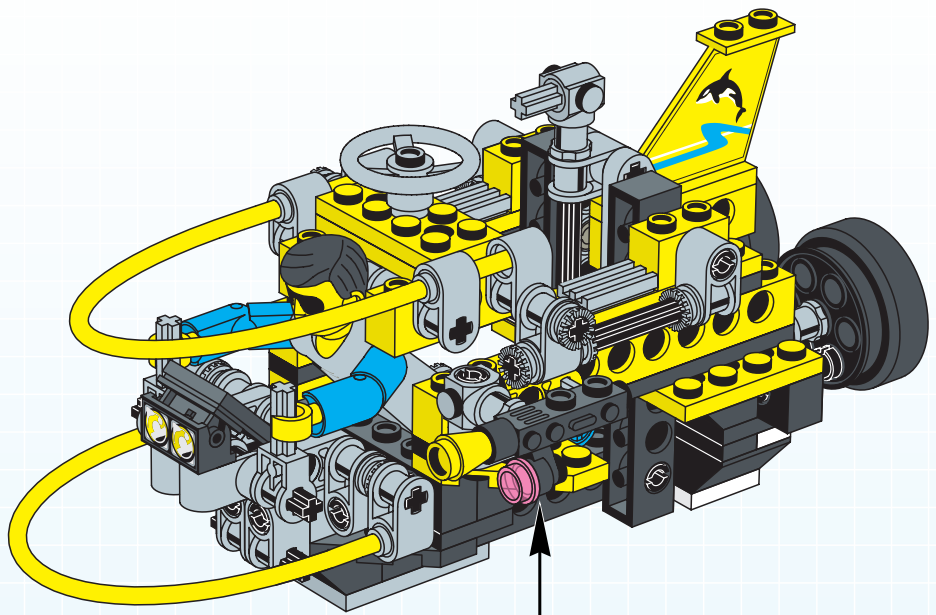


16

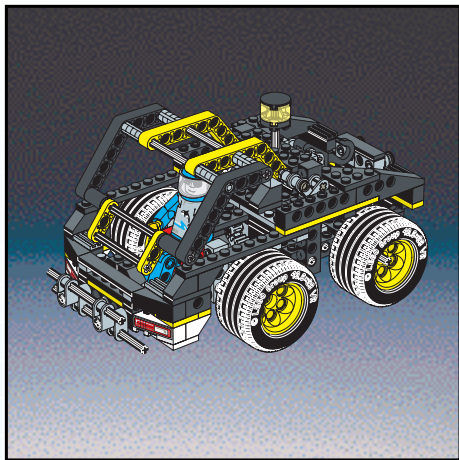




17



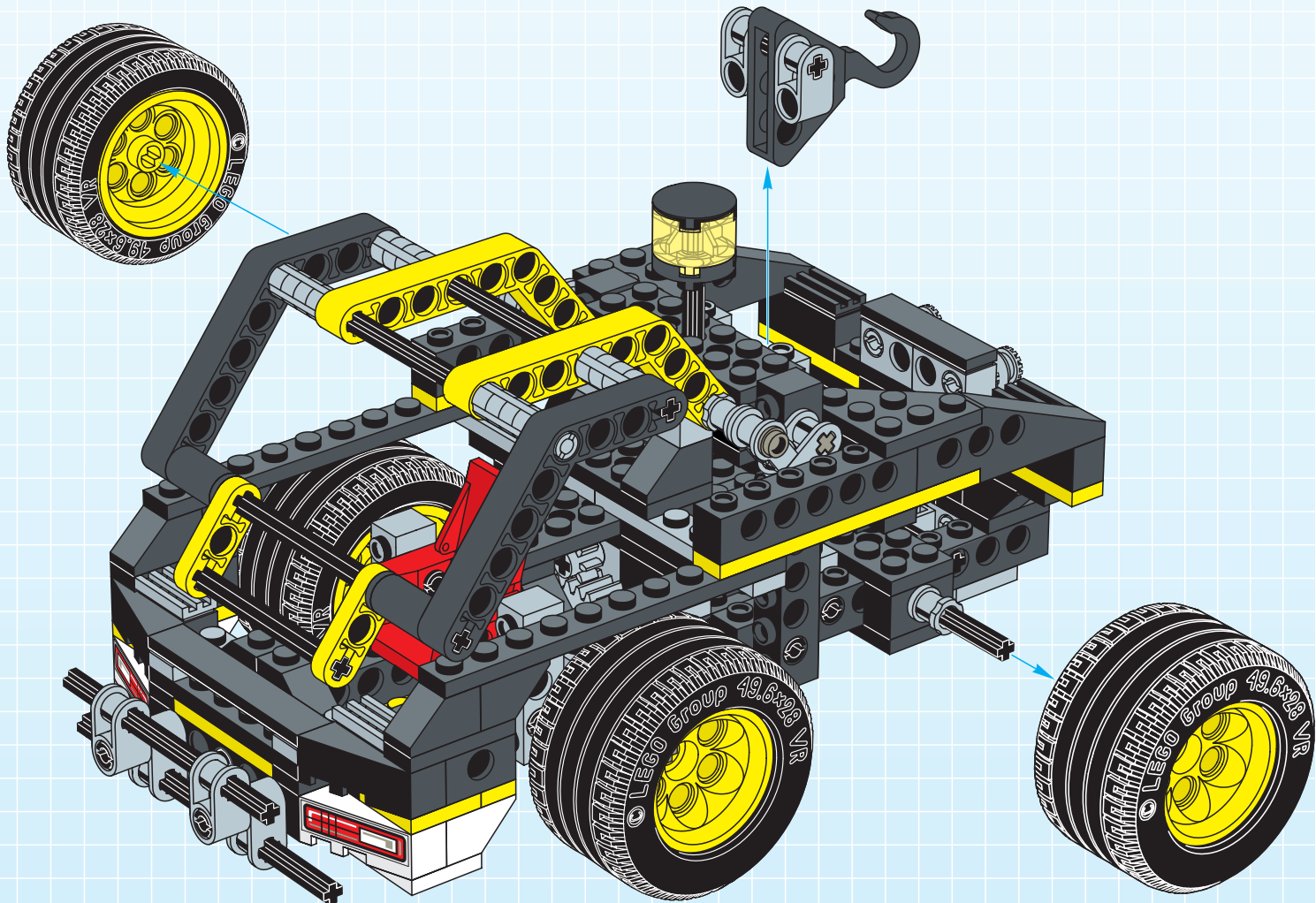
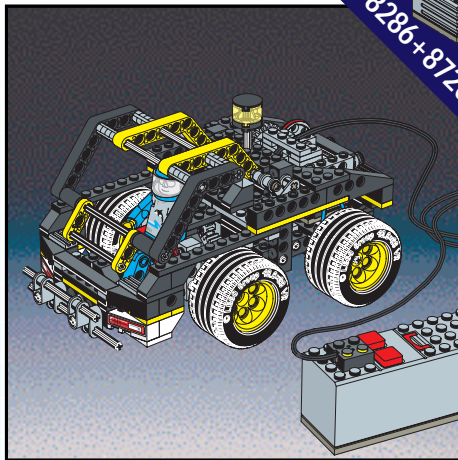


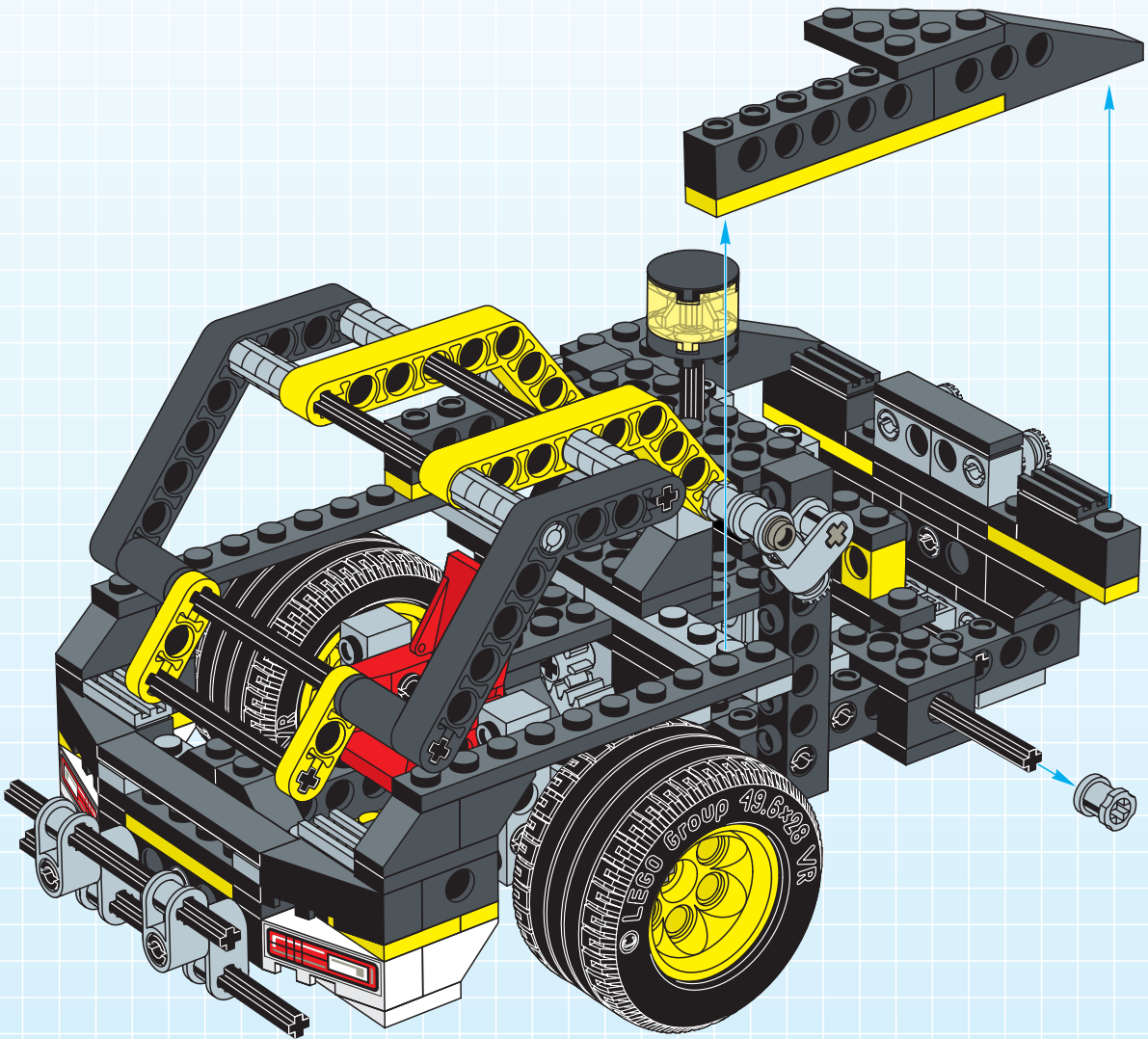


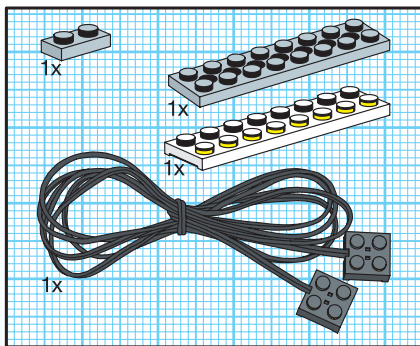
+



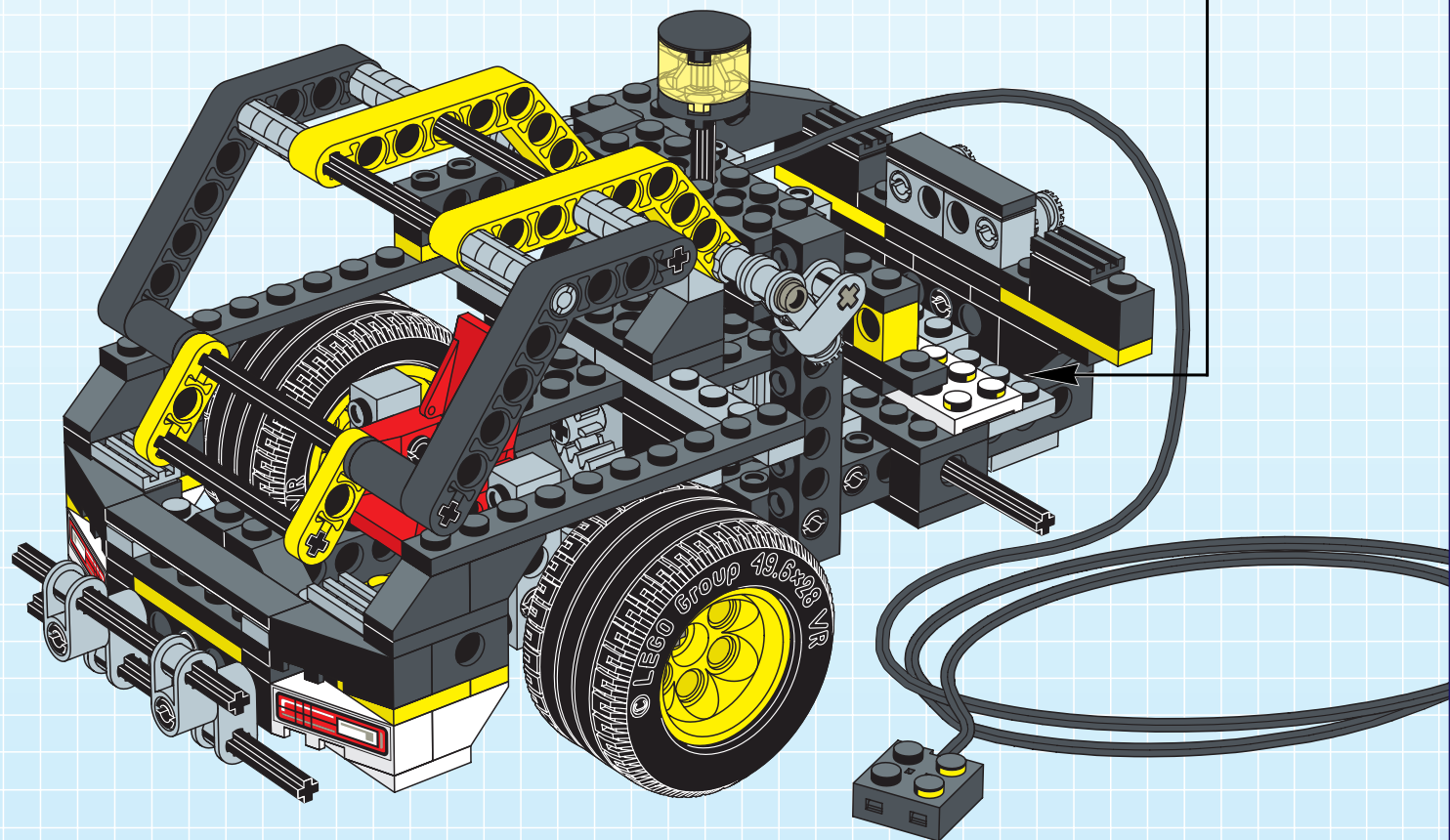
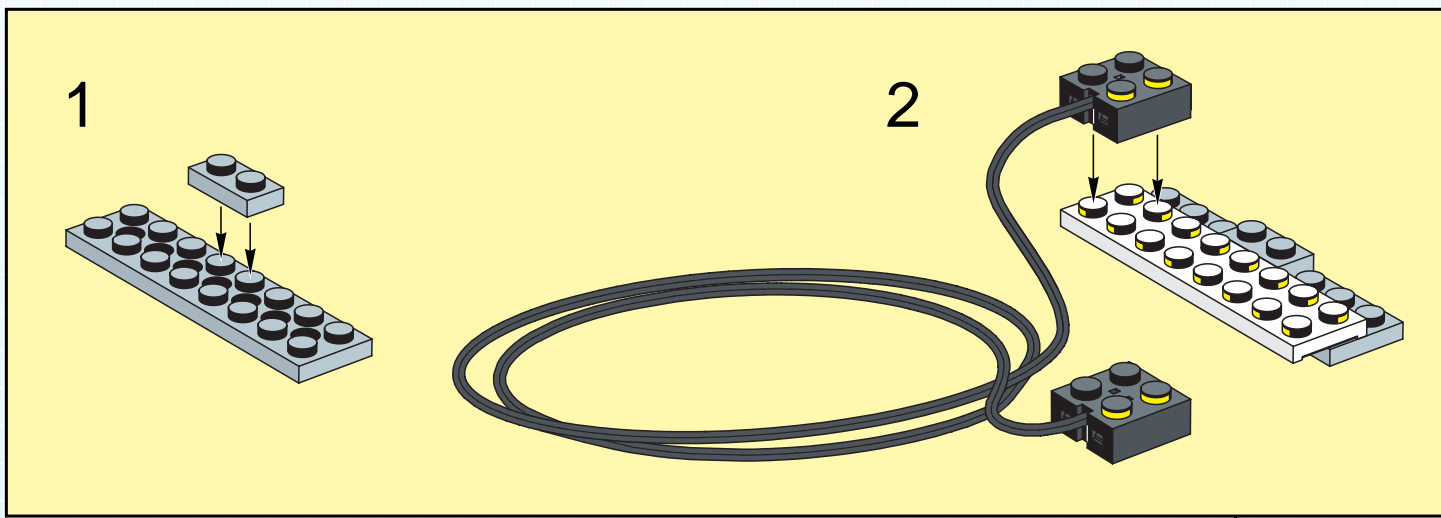
=







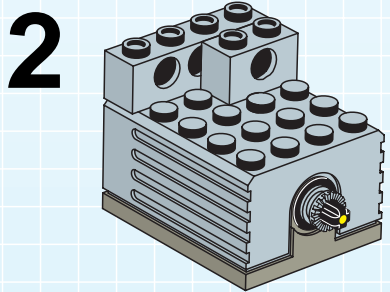
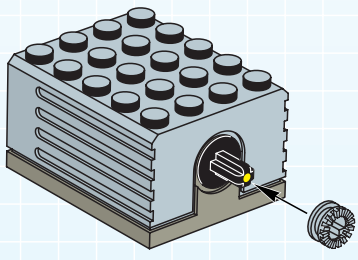
3



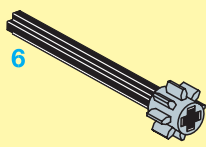
- 1x Gear, 1x Disc, 1x Ring
- 1x Brick 2x4 with Hole, 1x Pin, 1x Pin
- 2x Beam 1x5, 6
- 1x Pin, 1x Pin, 1x Pin
- 1x Pin, 3x Pin, 2x Pin
- 1x Pin, 2x Pin, 1x Pin

4

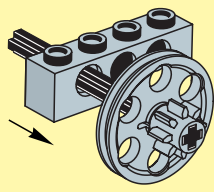
1



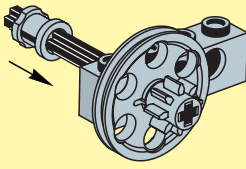
1



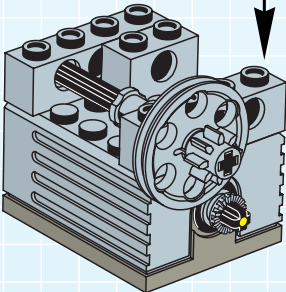
2



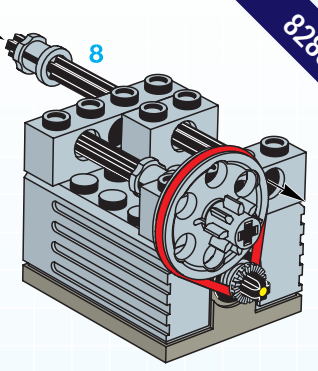
3



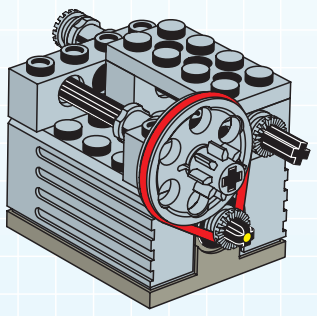
3



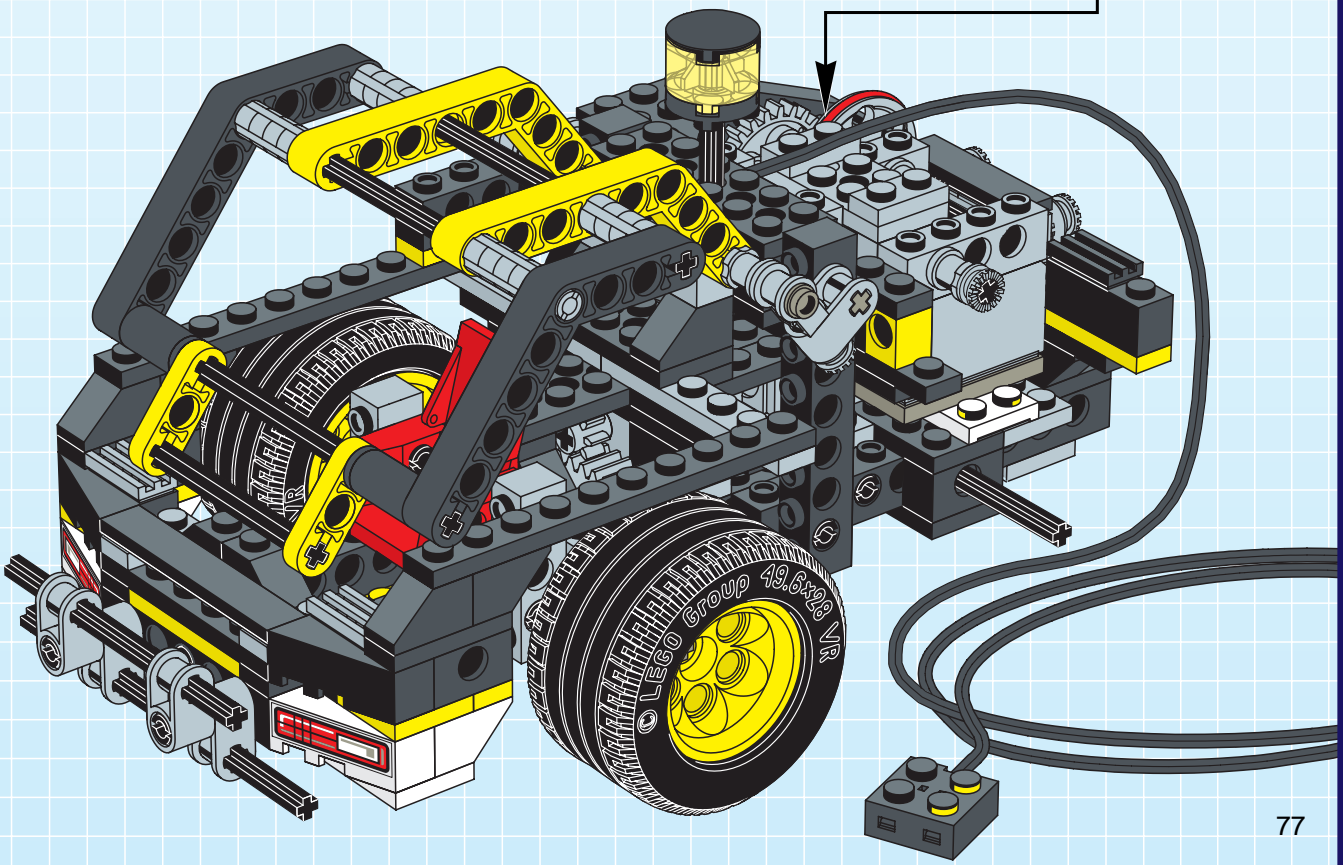
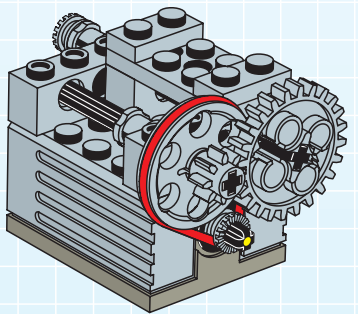
4

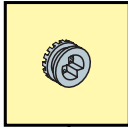
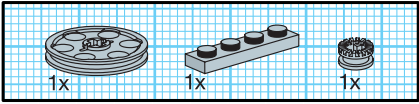


5

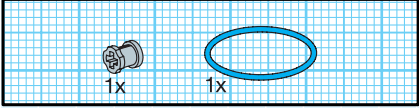
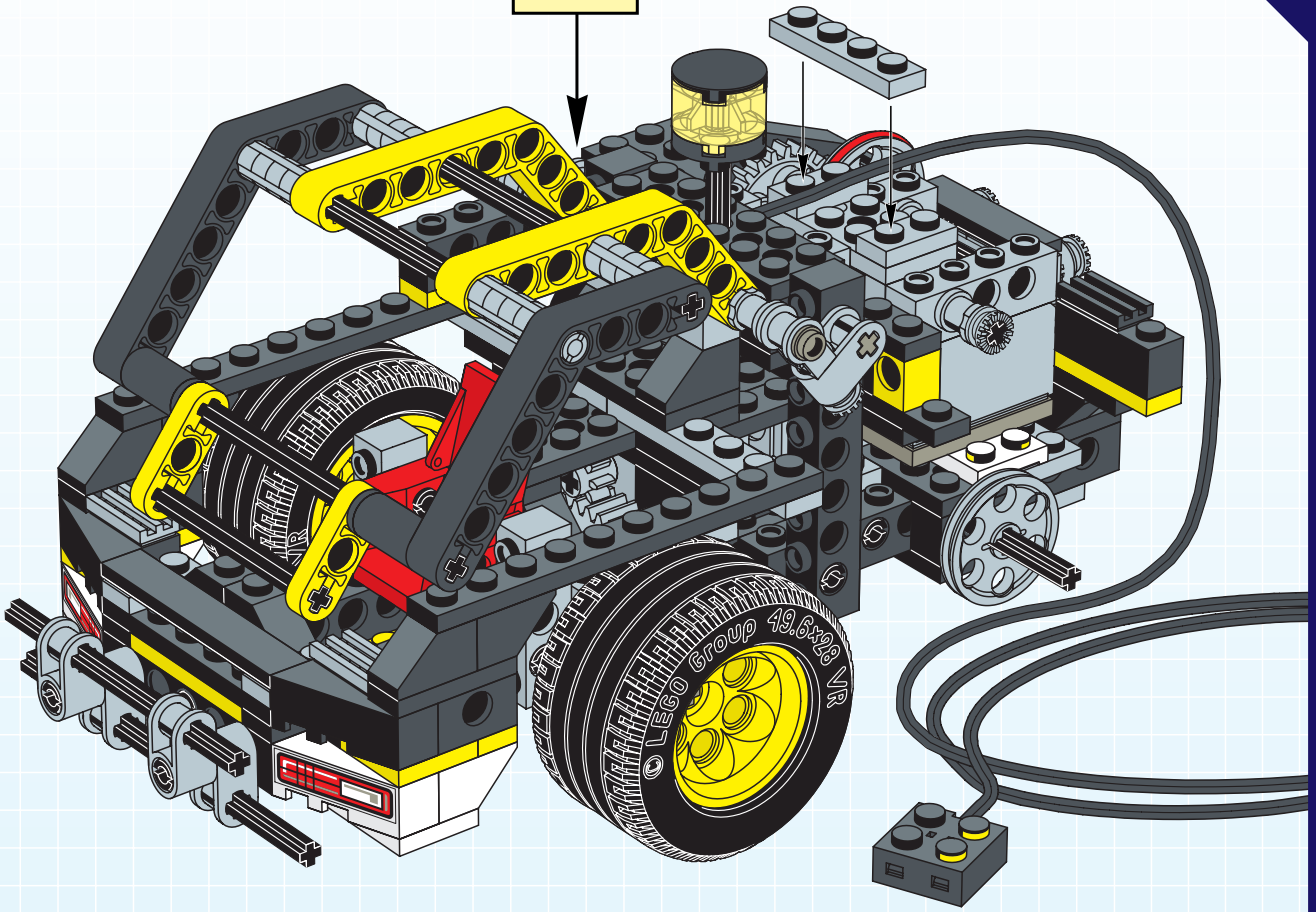


6

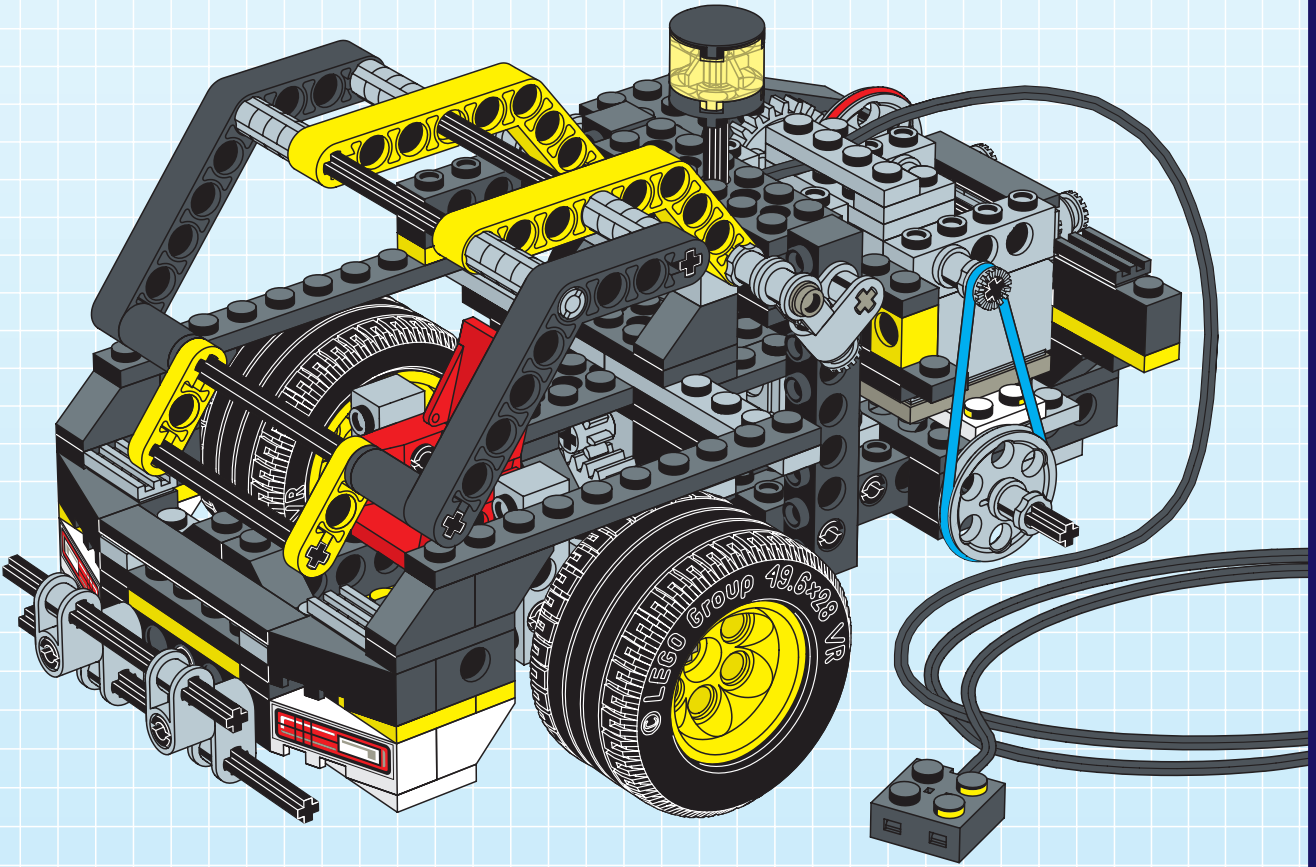


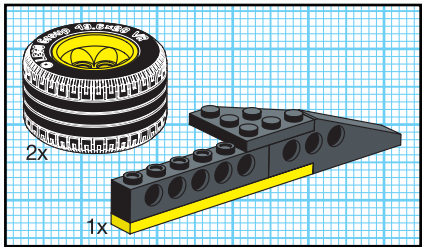


5



6





7

