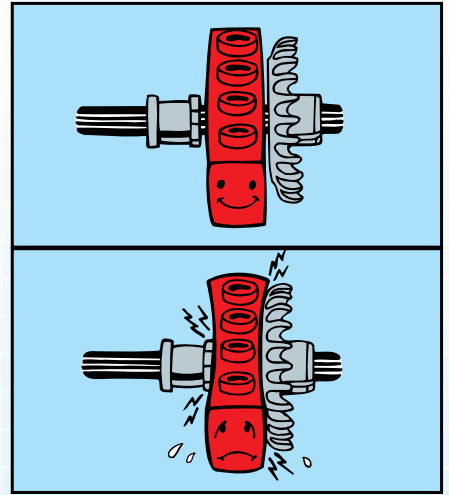
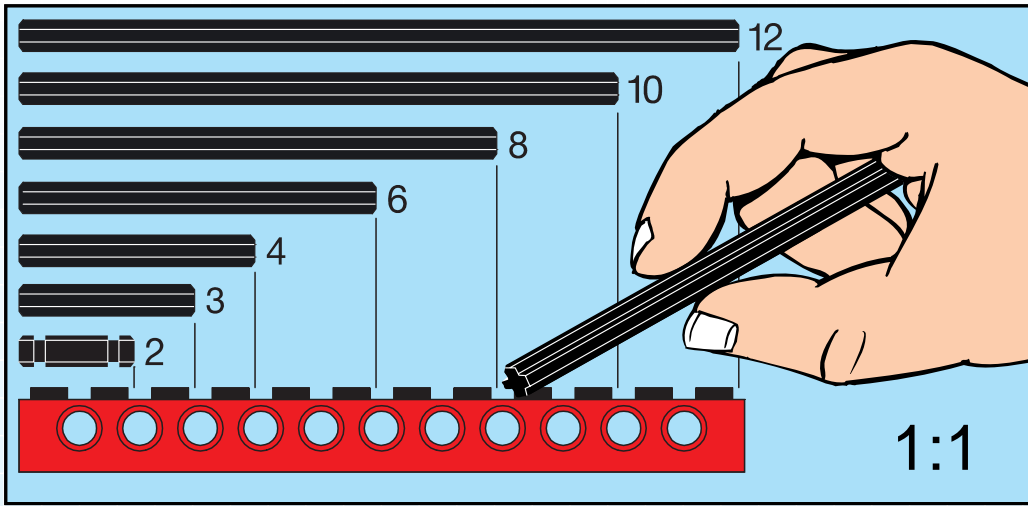


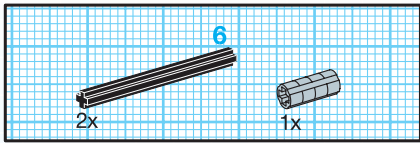


Technic

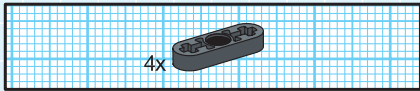
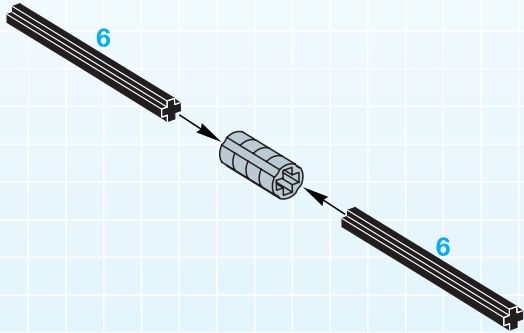
8229



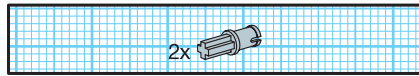
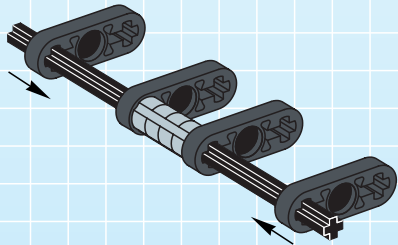




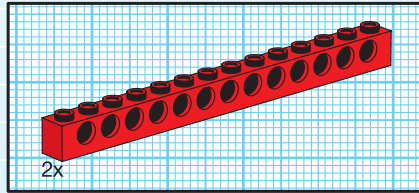
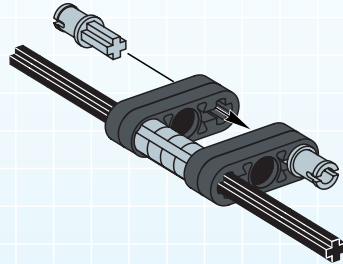
1



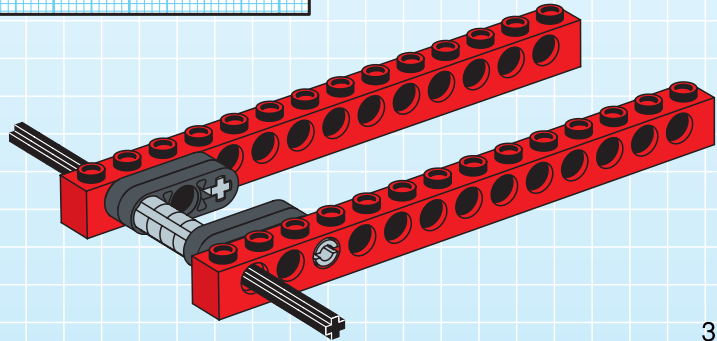
2

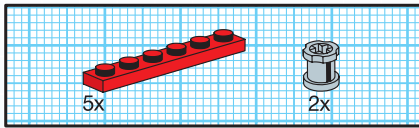


3

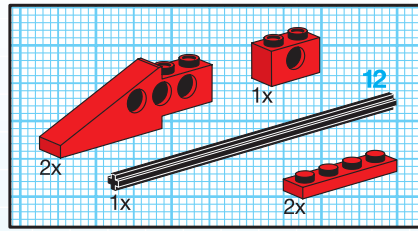
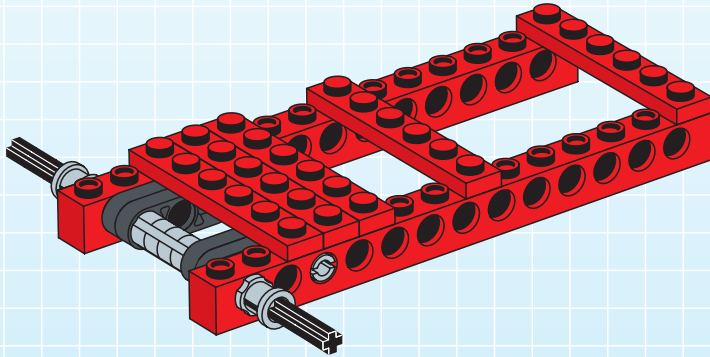


4

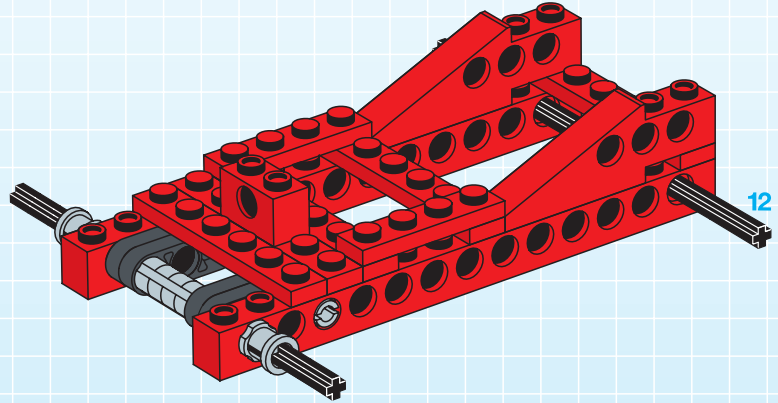


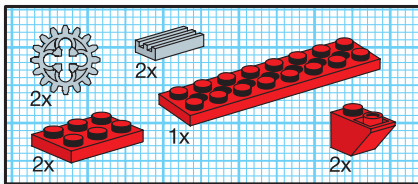


5

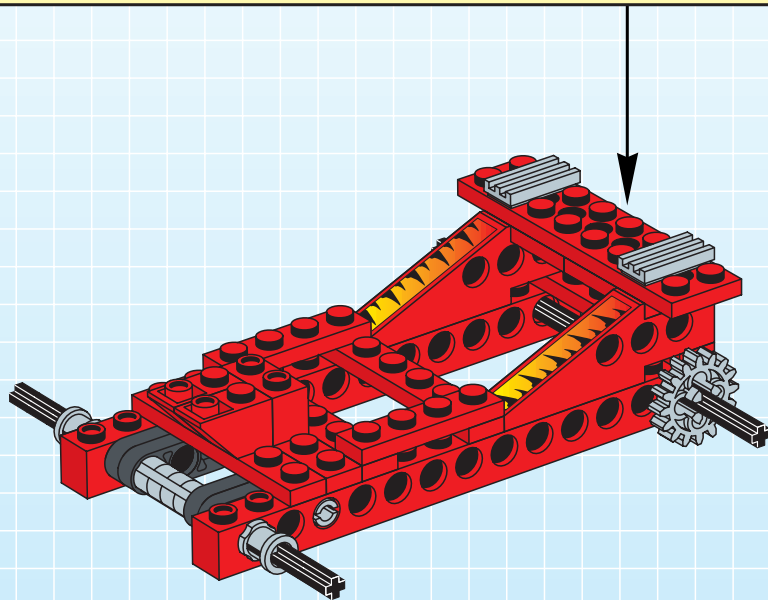
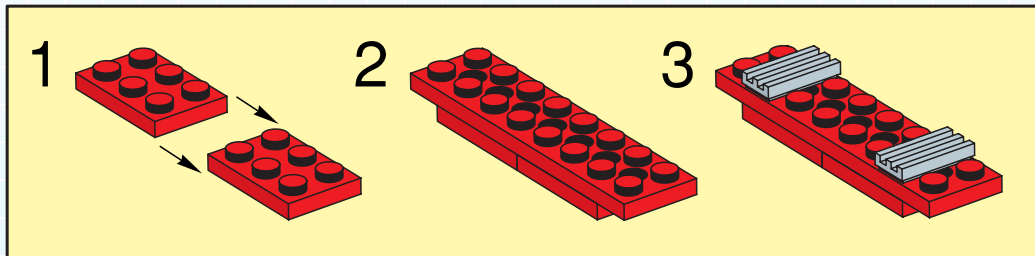


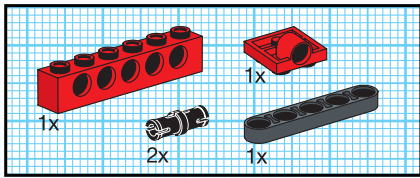
6



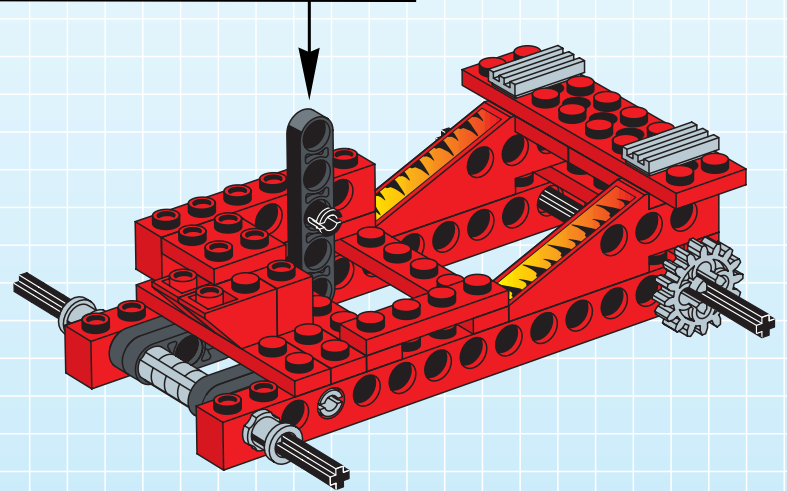
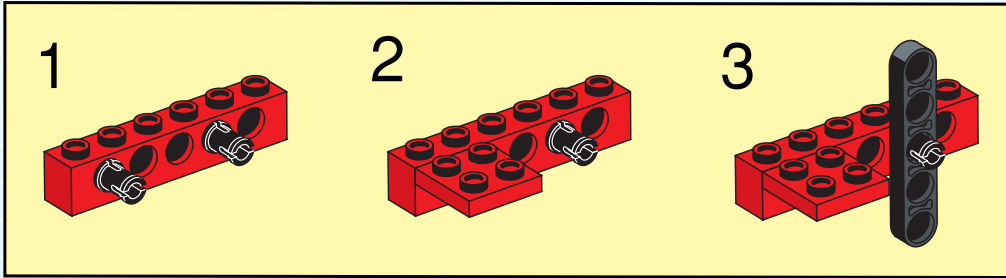


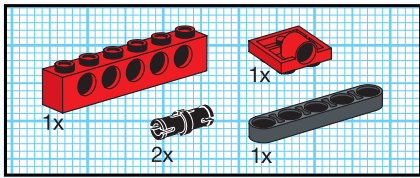
7



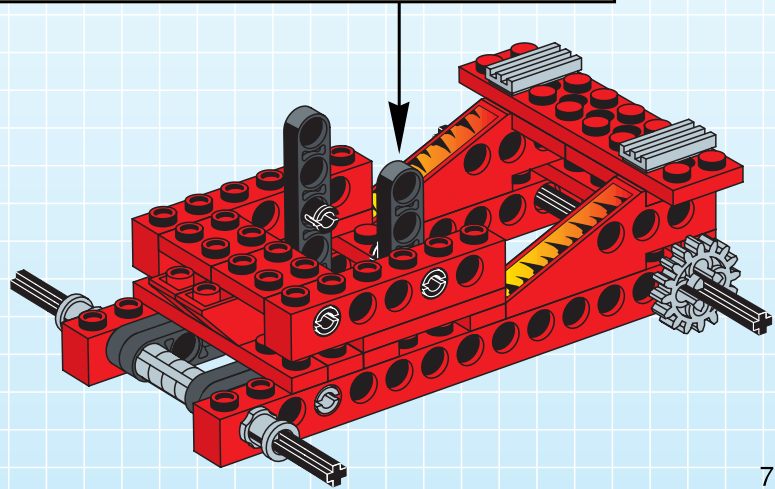
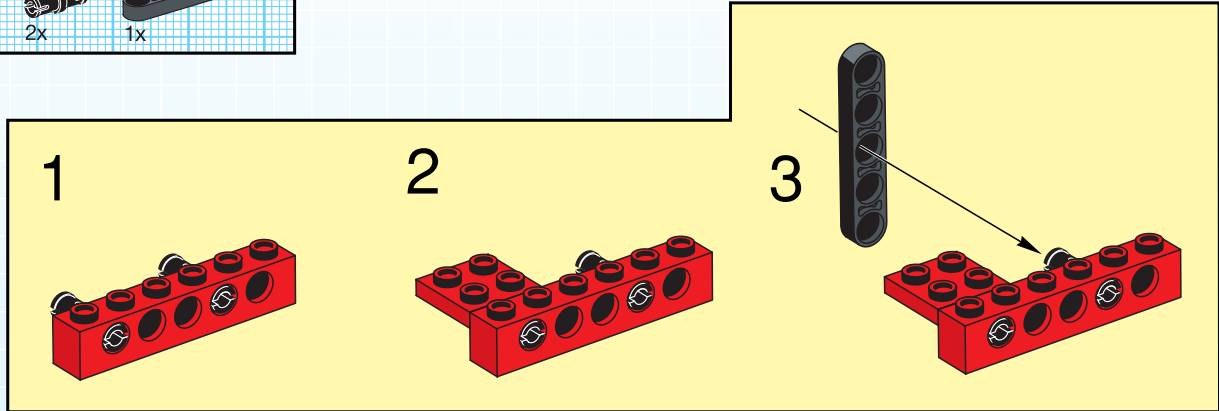


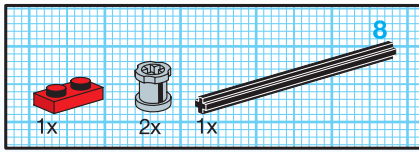
8



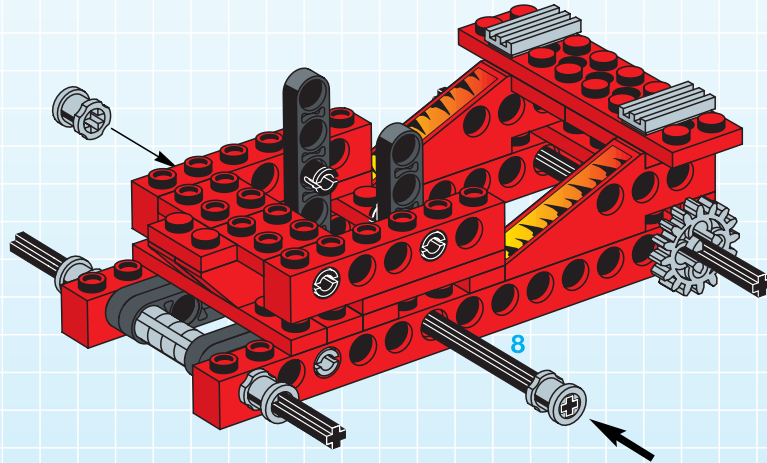


9

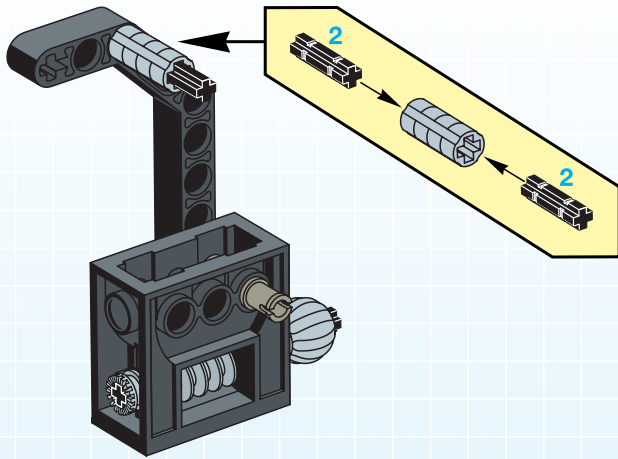




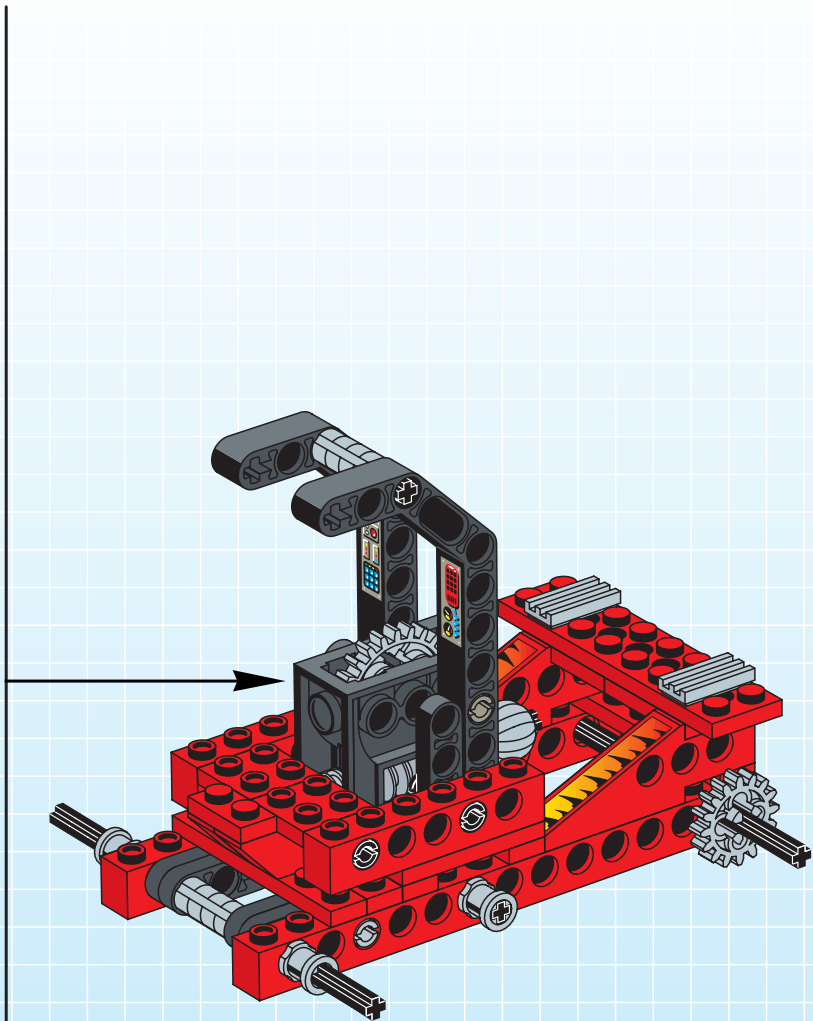
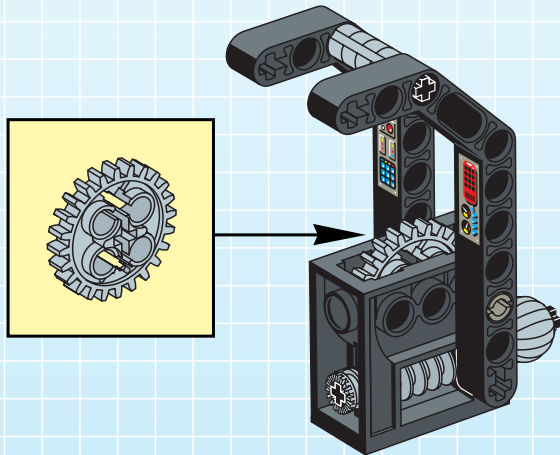
10

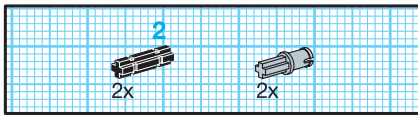


6

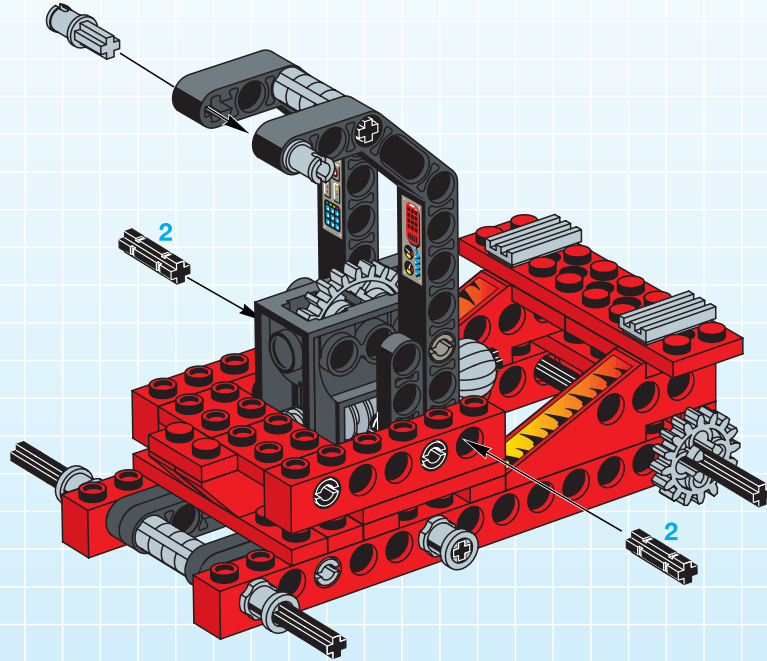


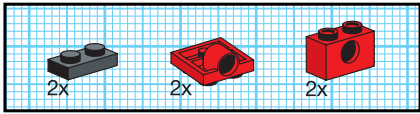
7



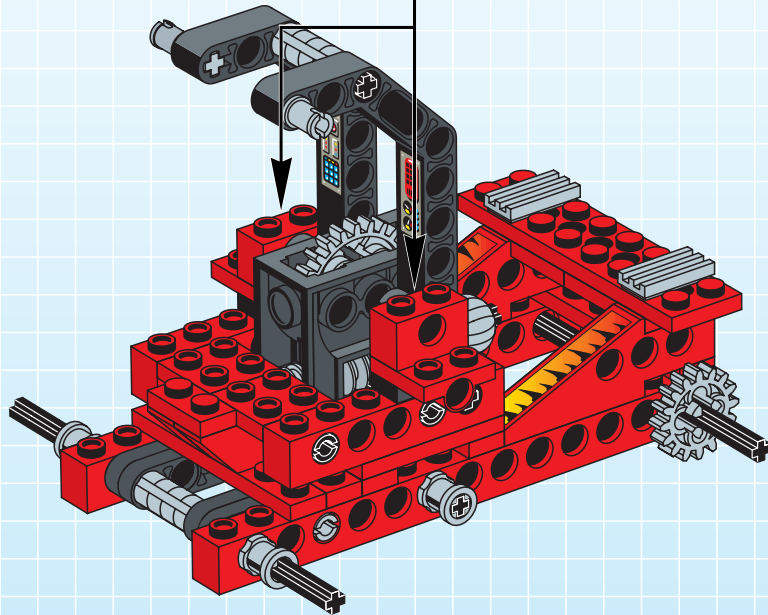
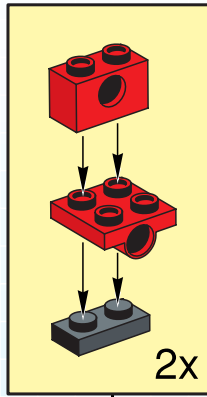


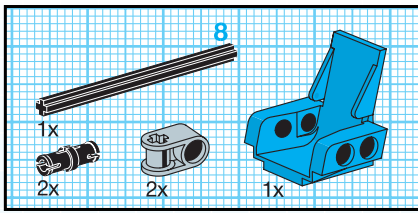
12



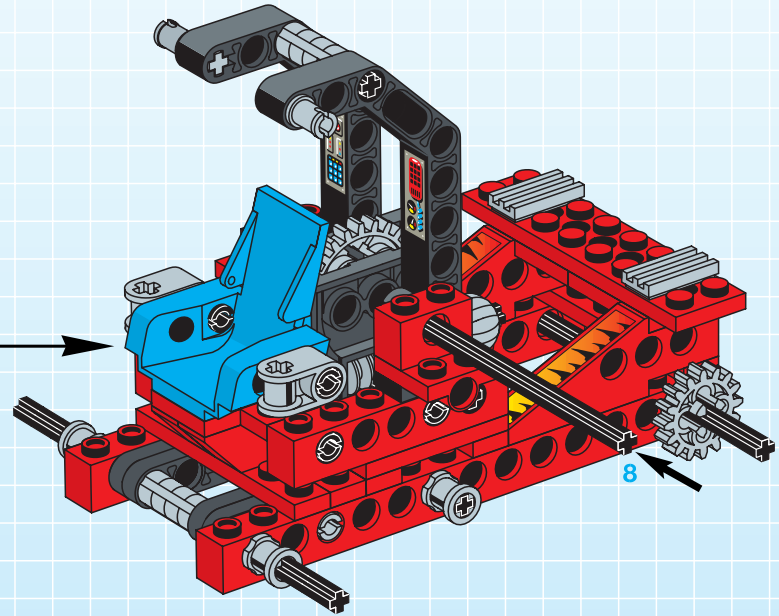
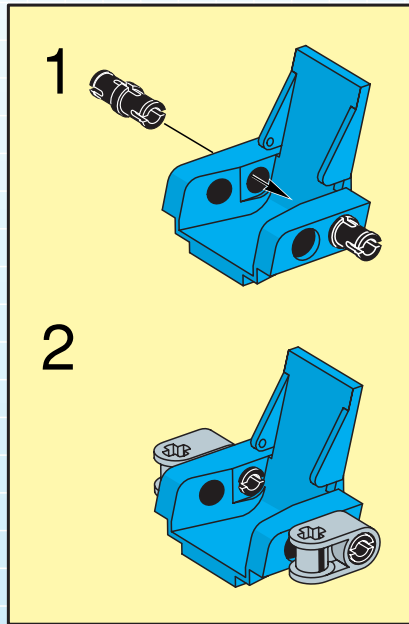


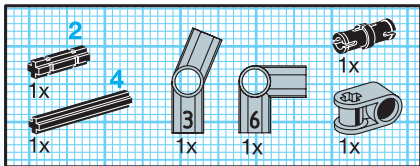
13



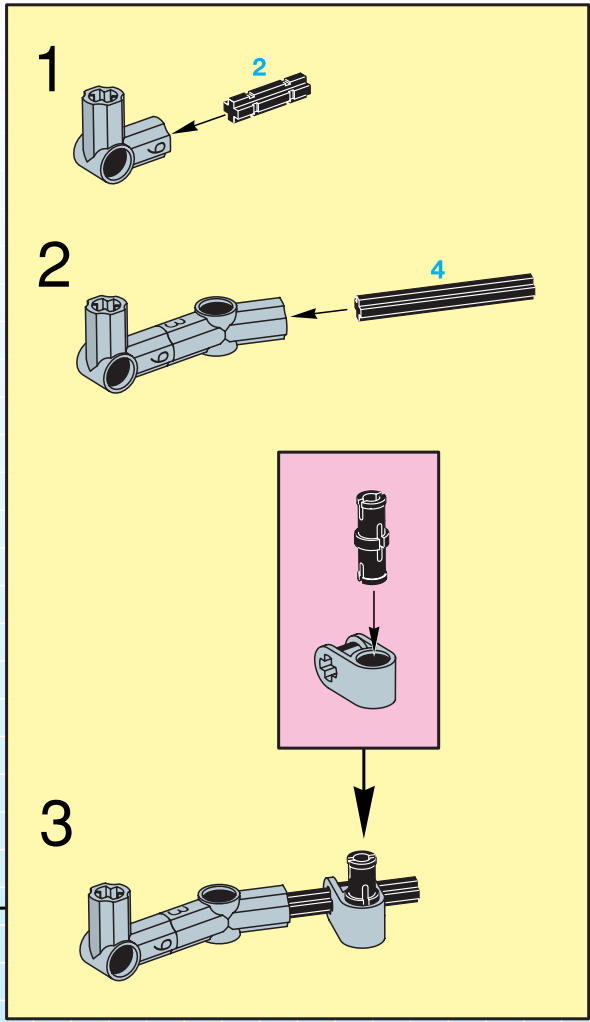
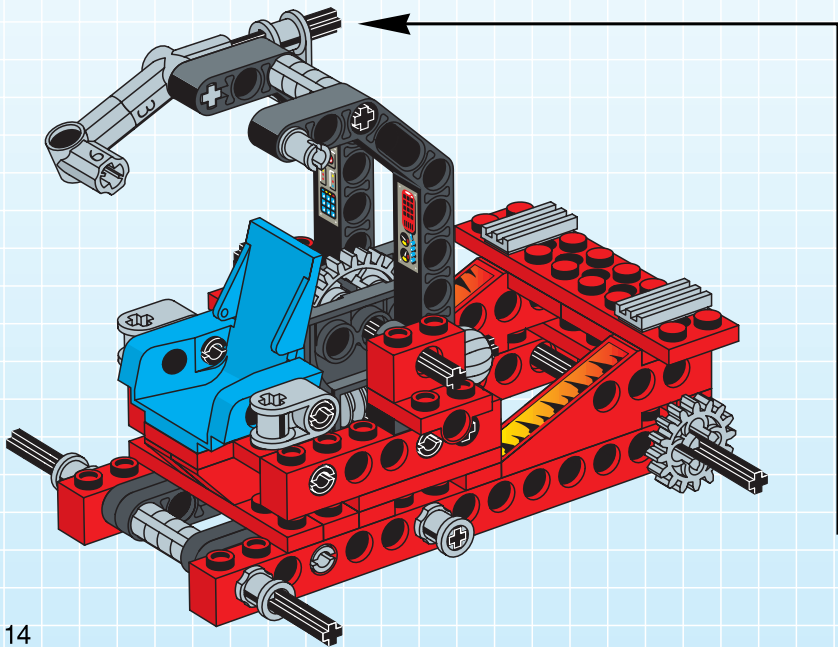


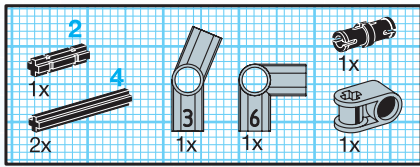
14



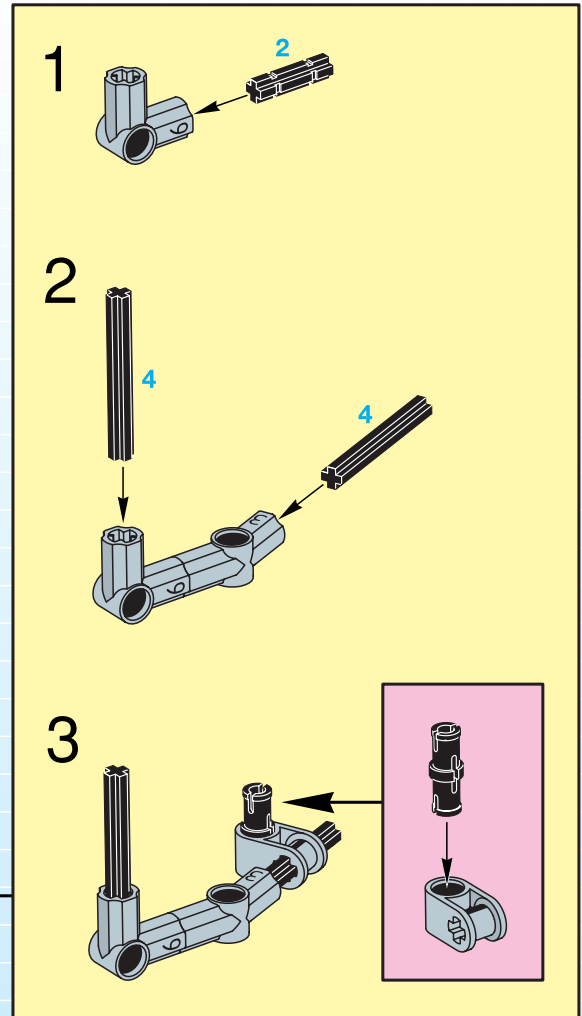
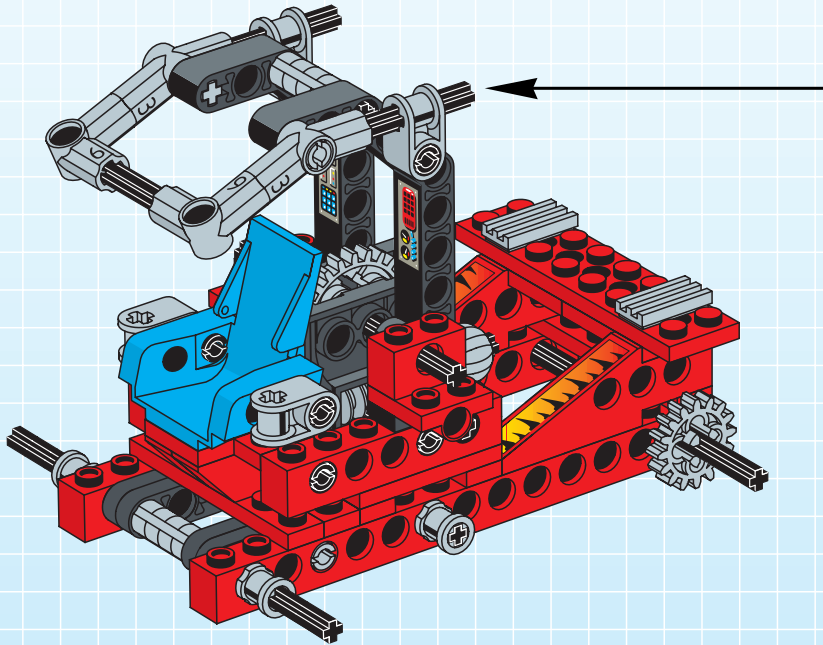


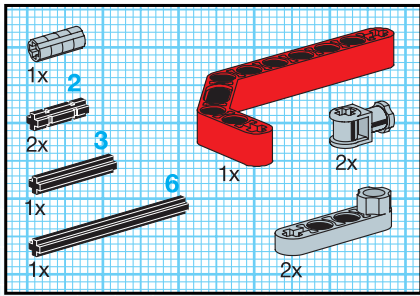
15





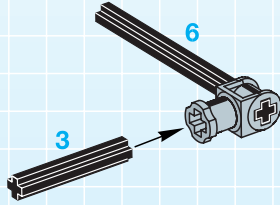
16



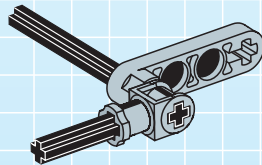


17

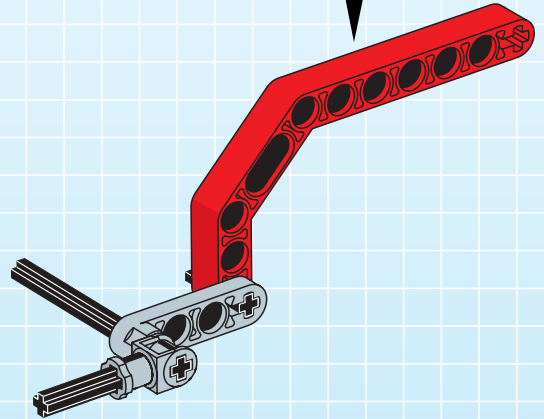
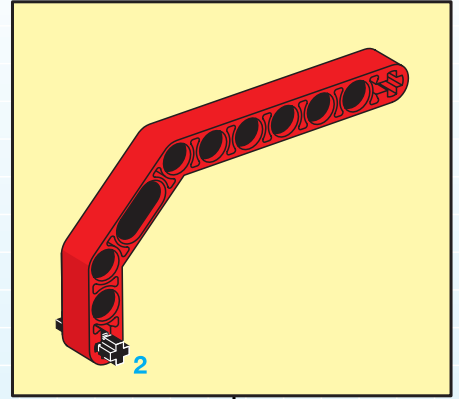
1



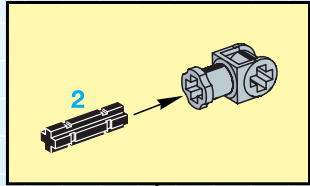
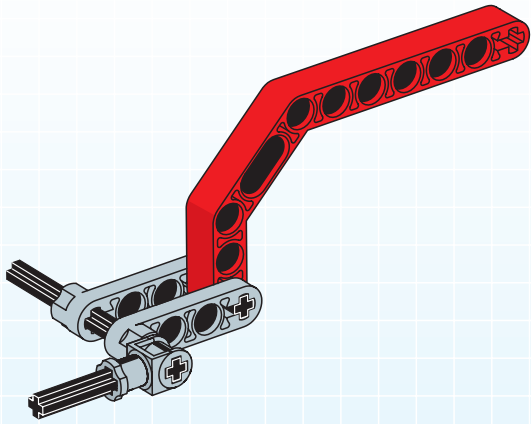
2



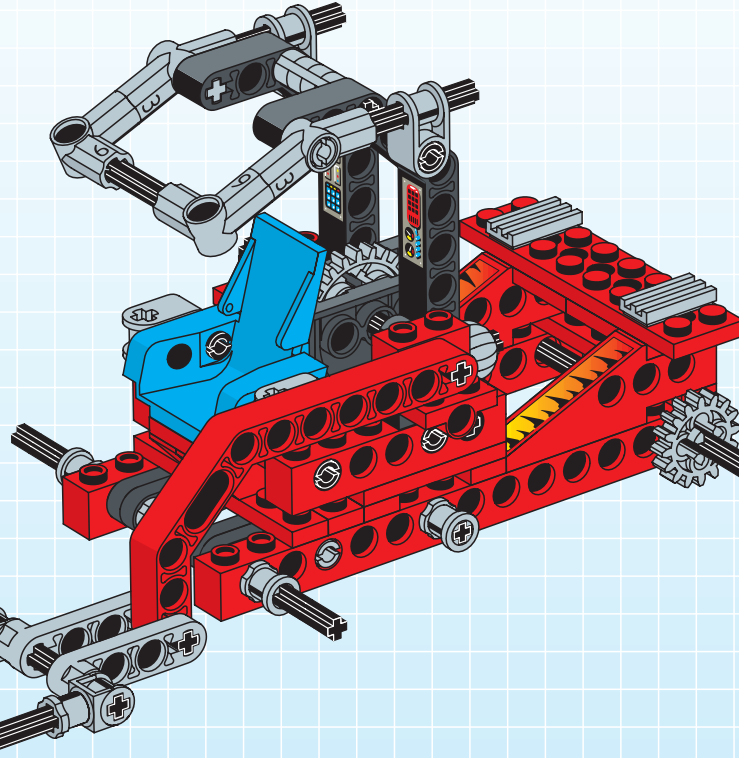
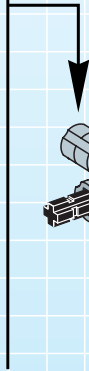
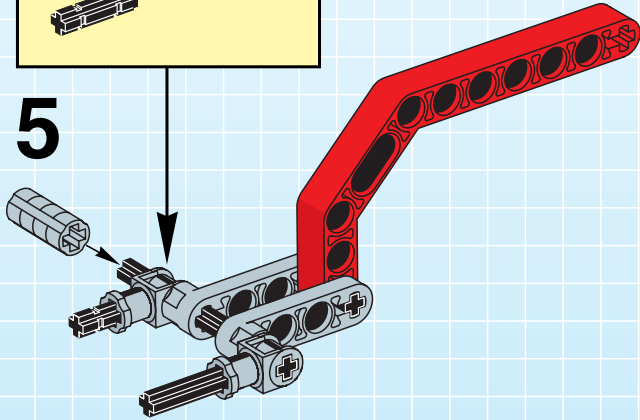
3

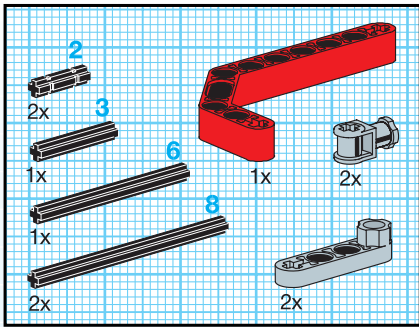


4



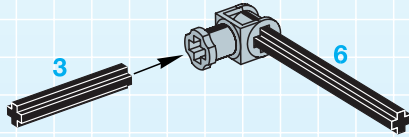
5



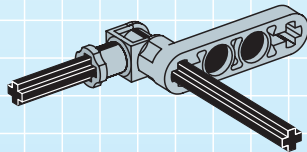


18

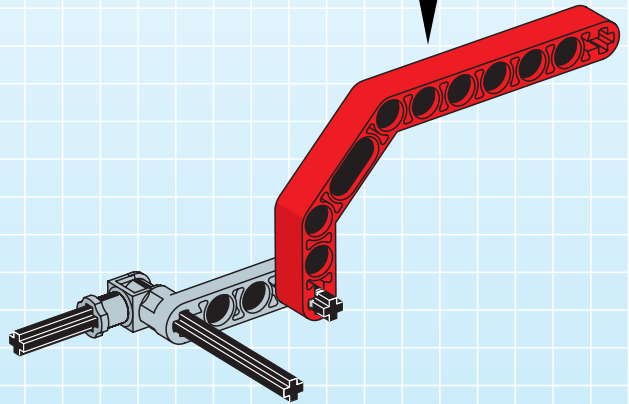
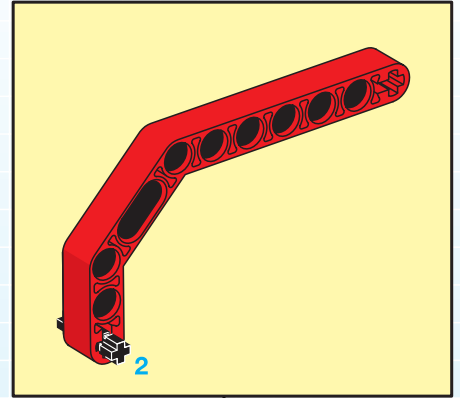
1



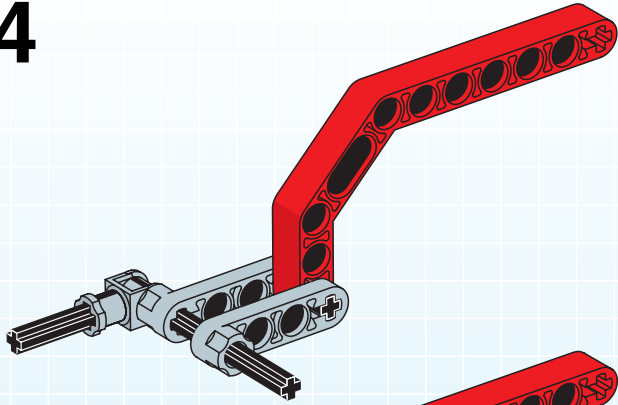
2



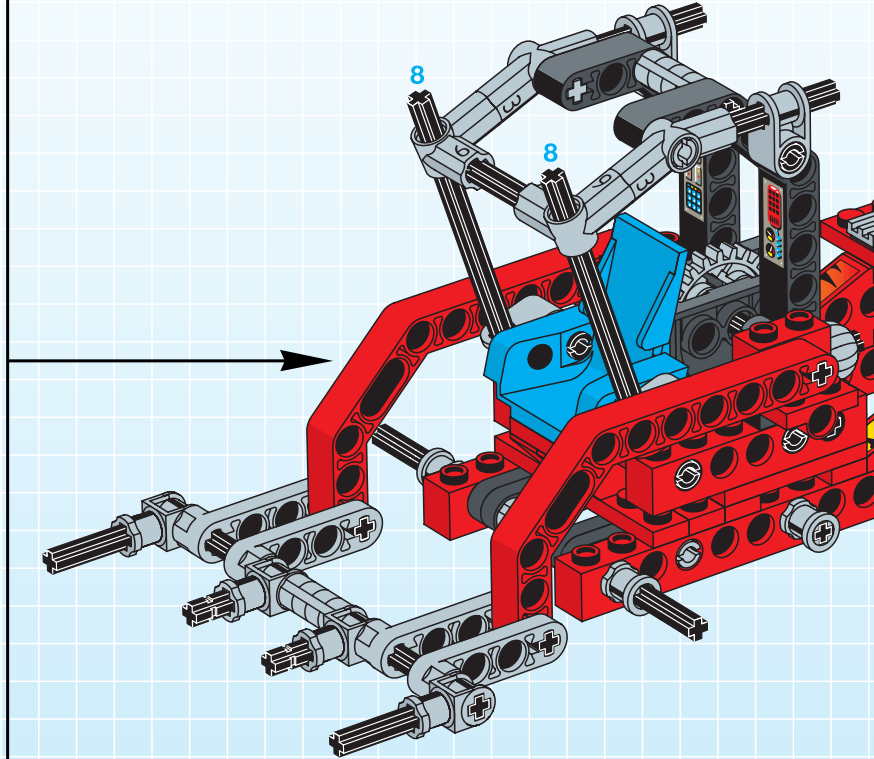
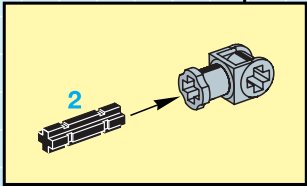
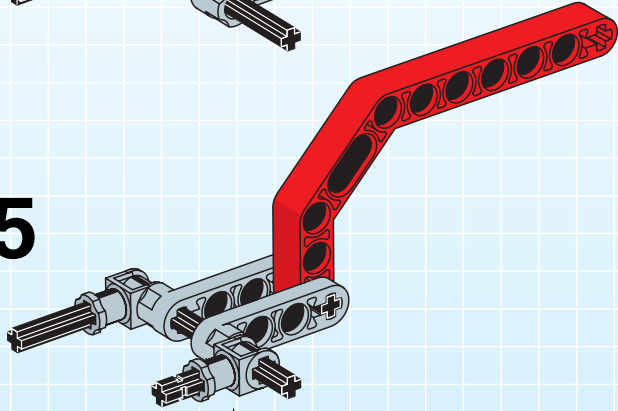
3

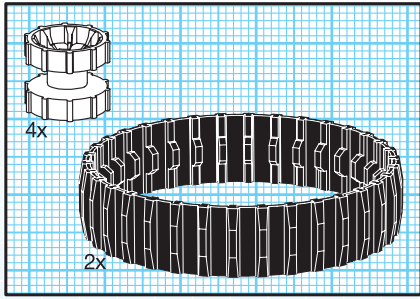


4

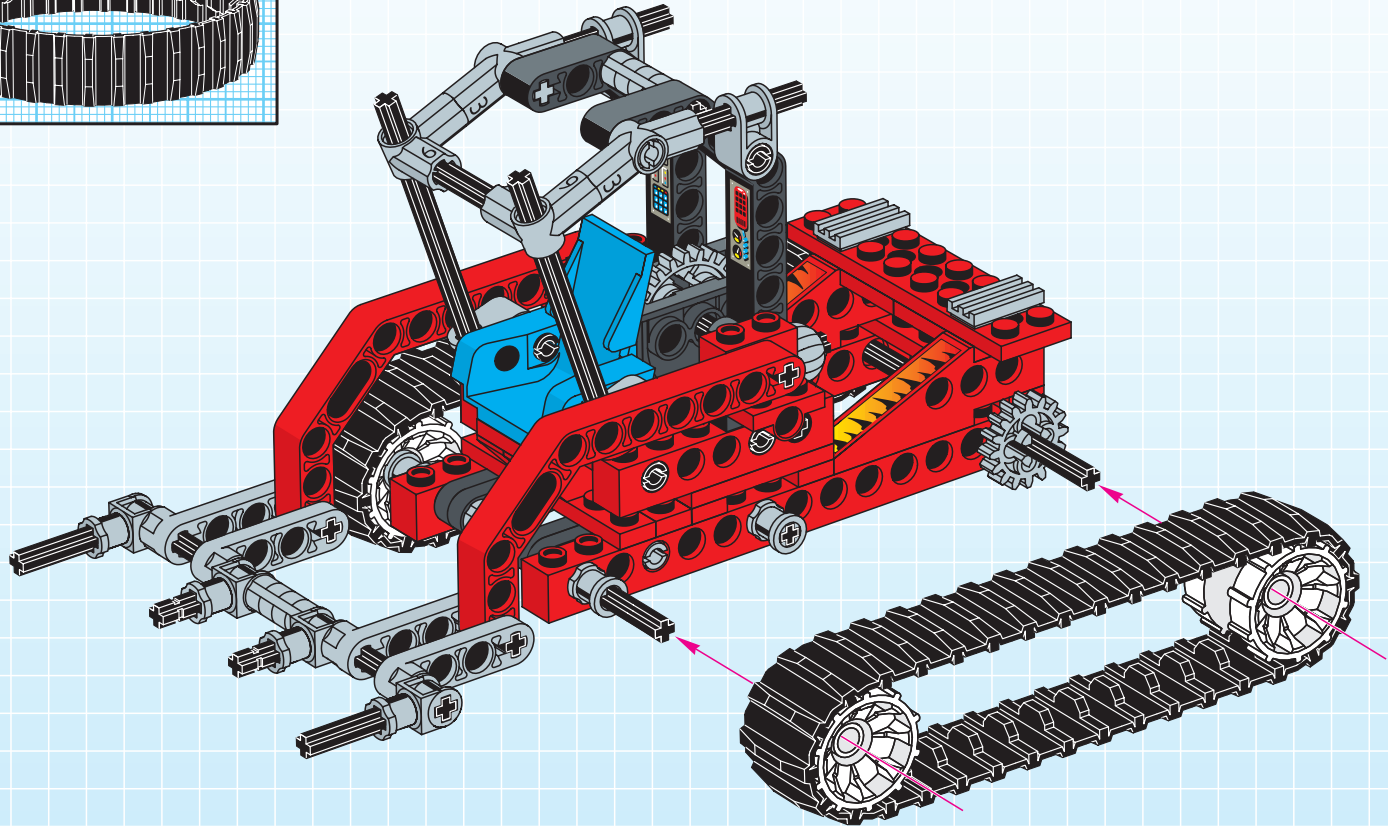


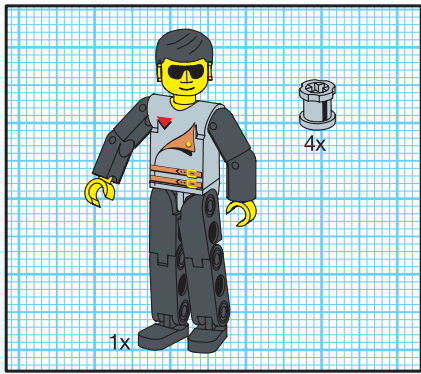
5



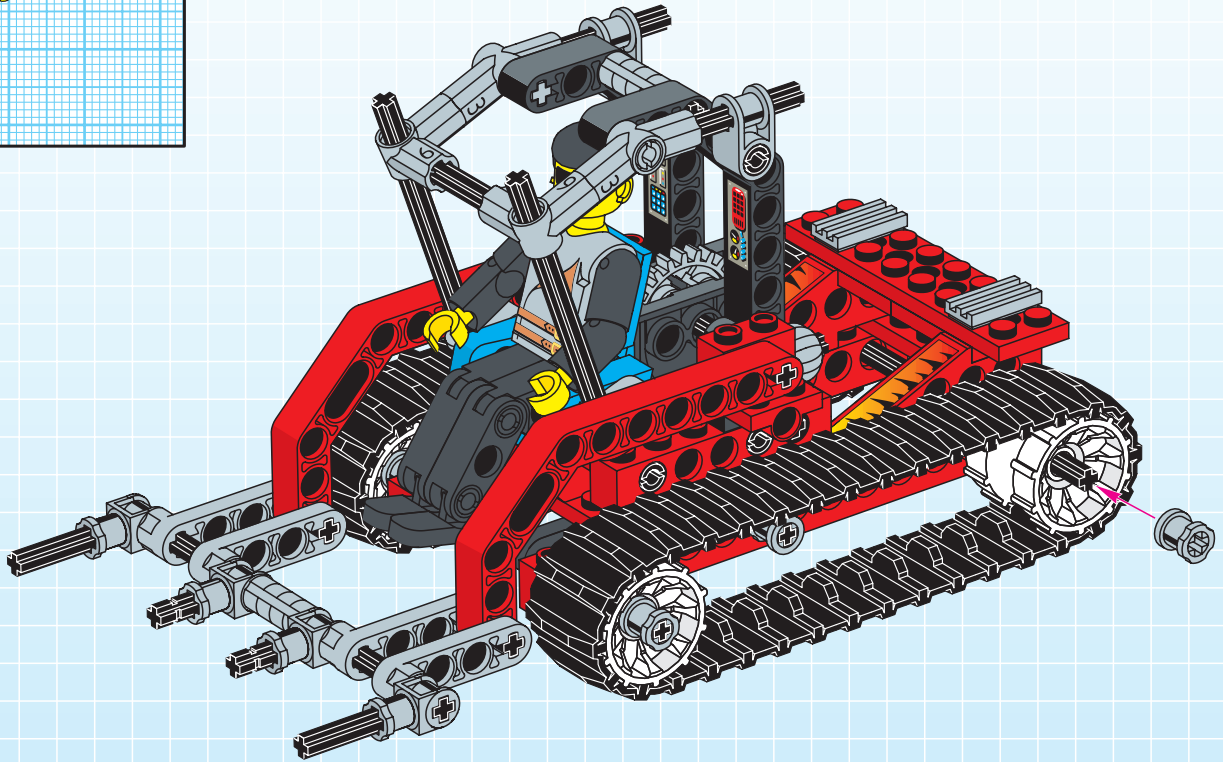


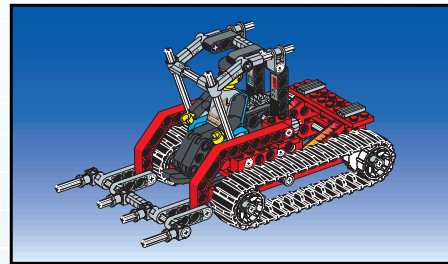
19





20

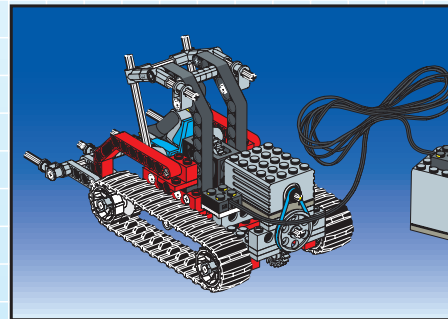




+



=

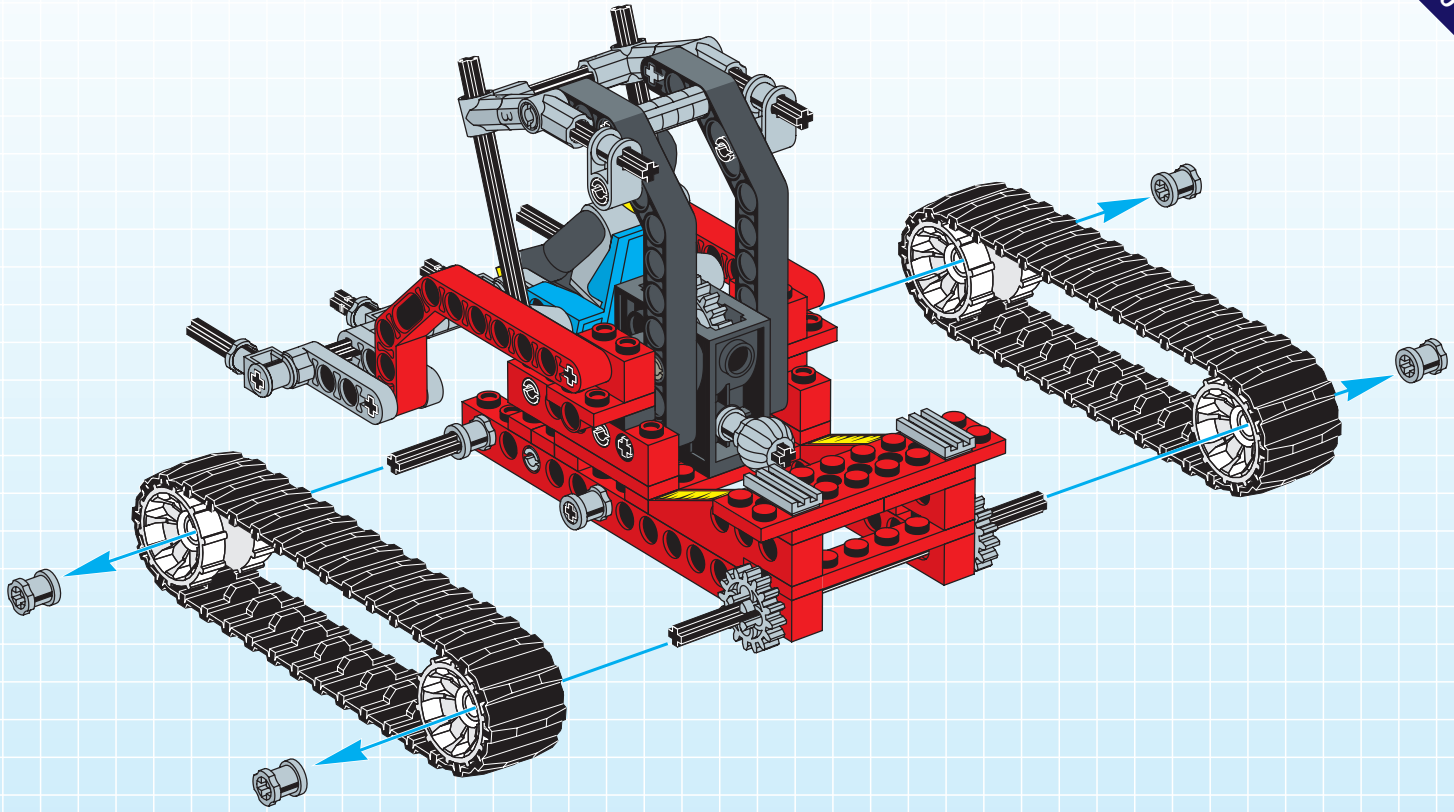


8229+8720



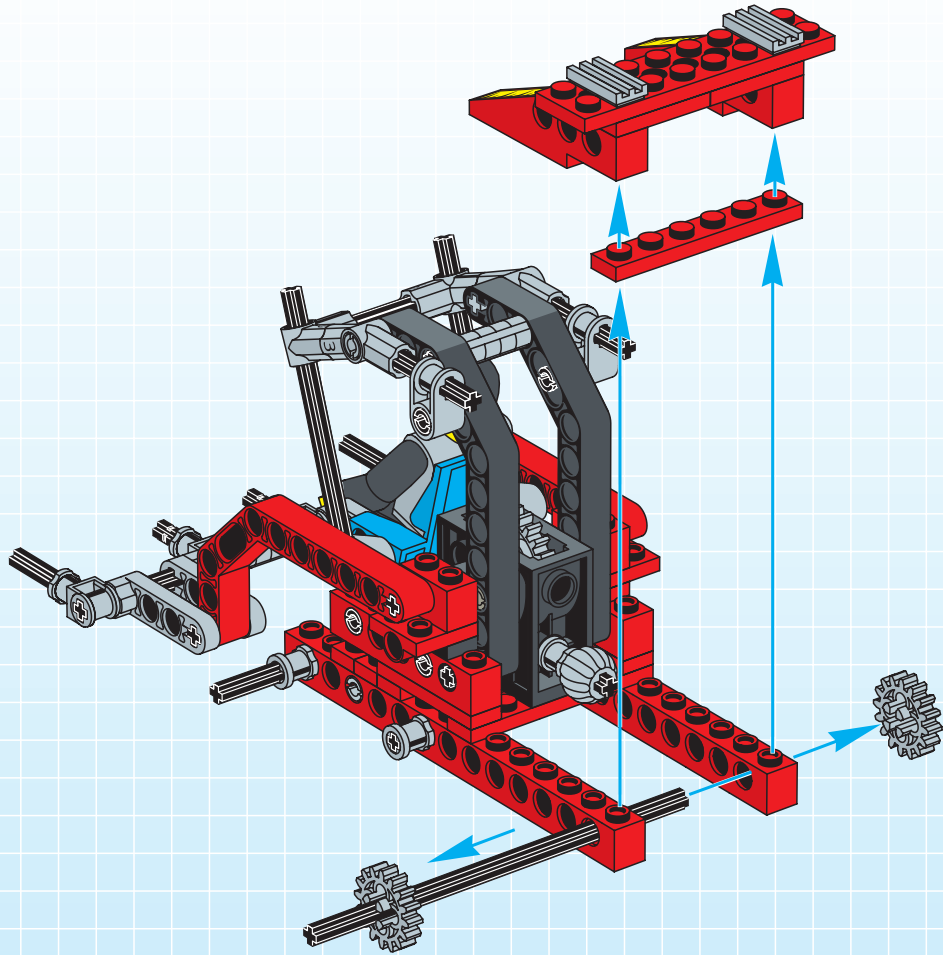
1

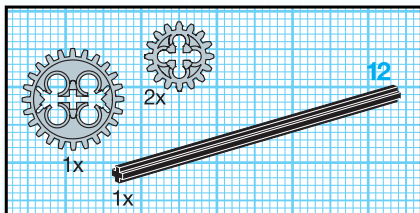
8229+8720



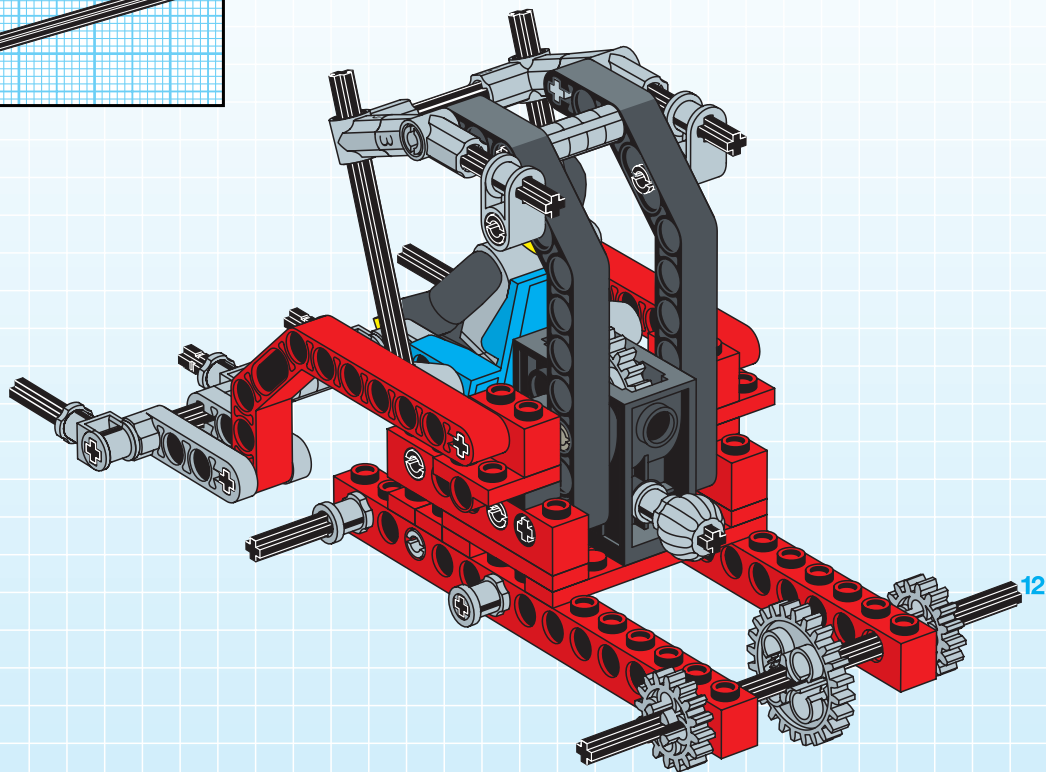
2

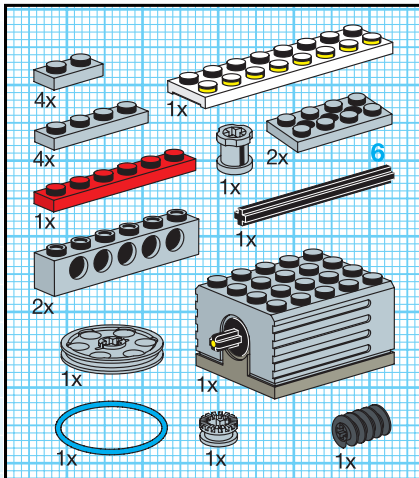
8229+8720



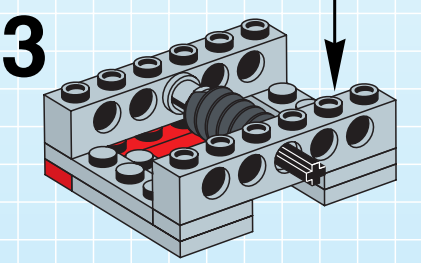
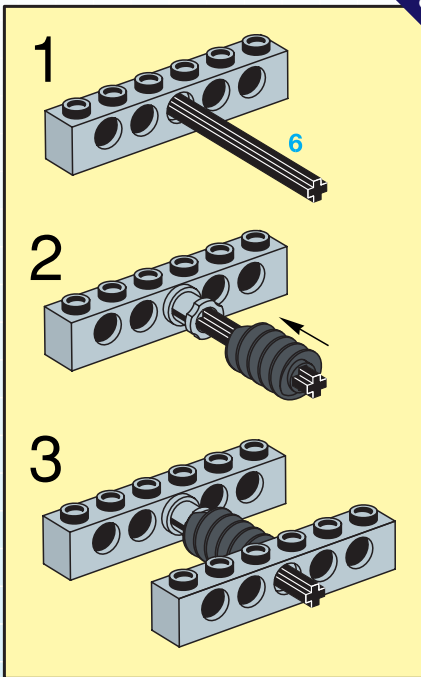
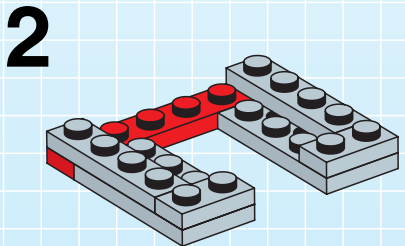
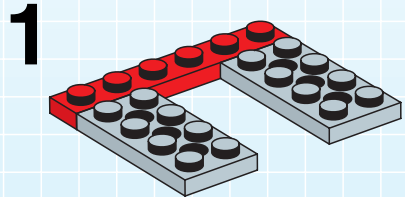


3

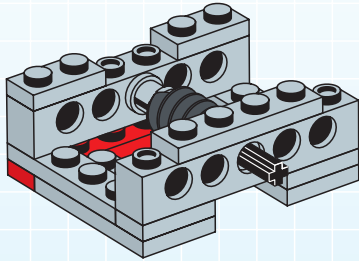




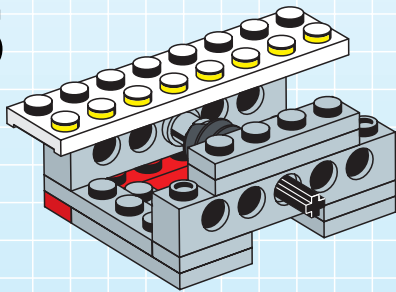
4



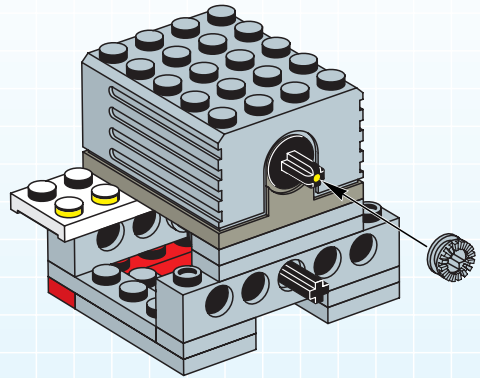
4



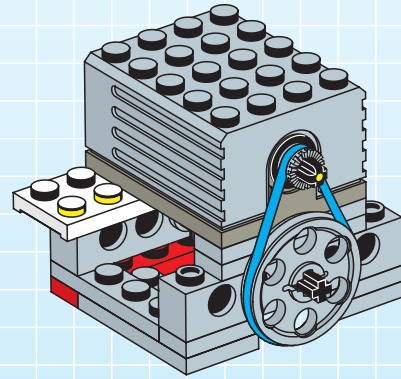
5



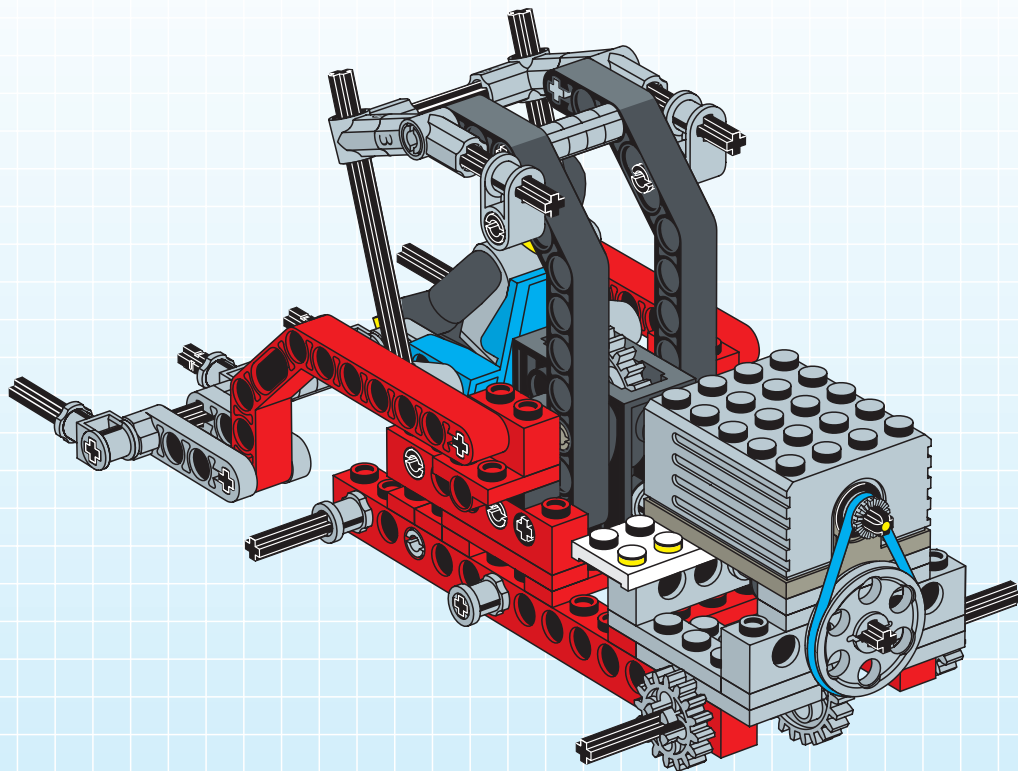
6

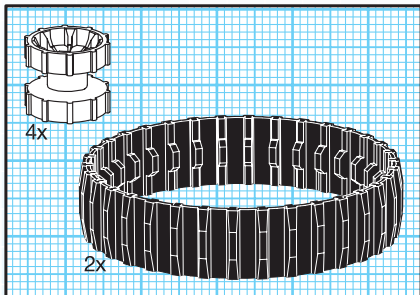


7

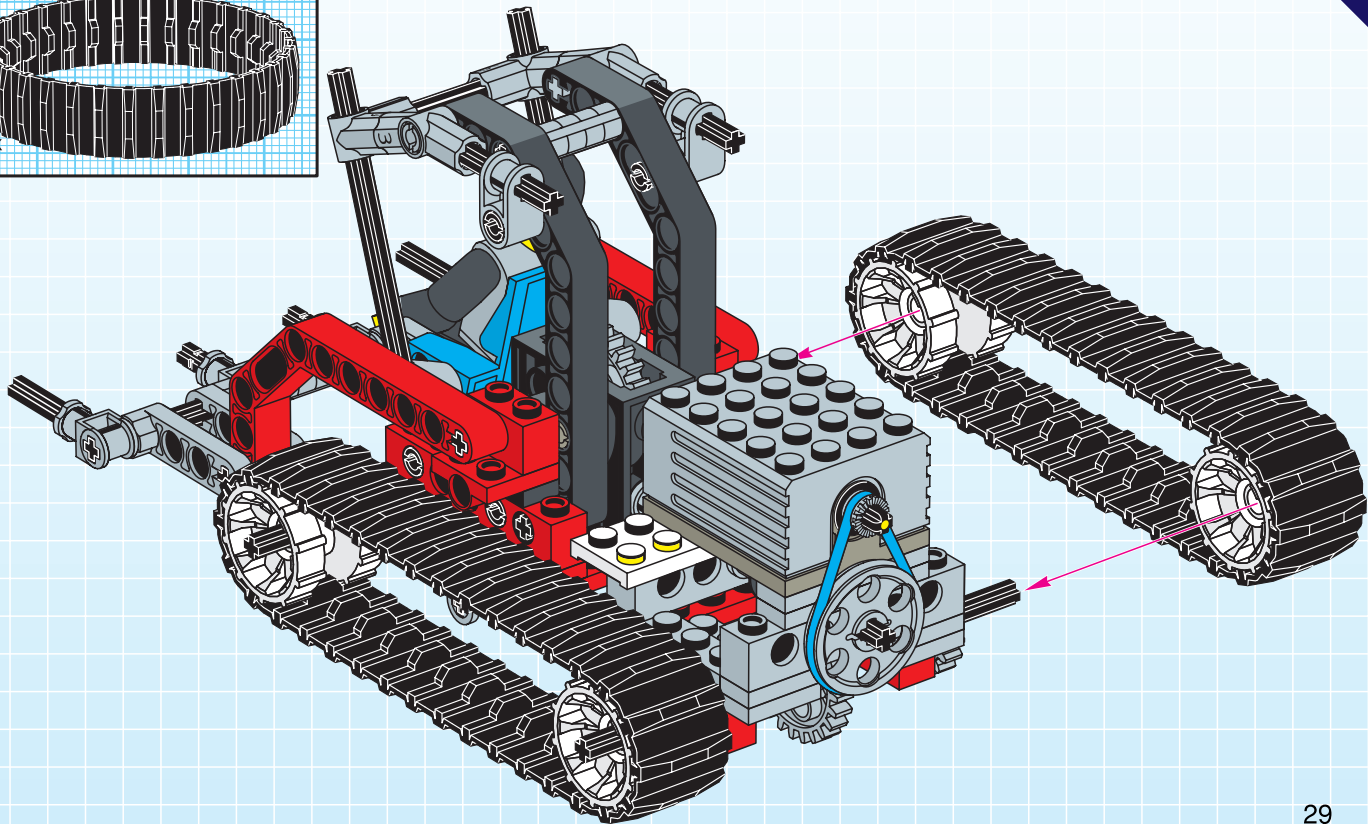


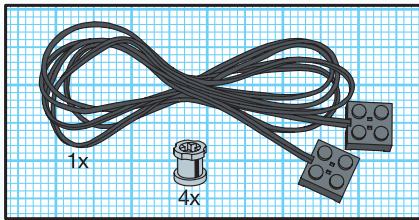
8229+8720





5





6

