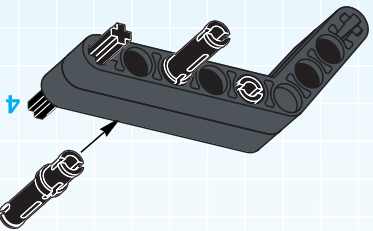
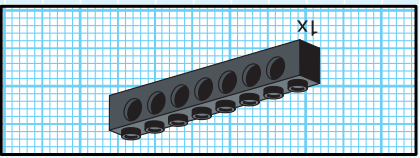
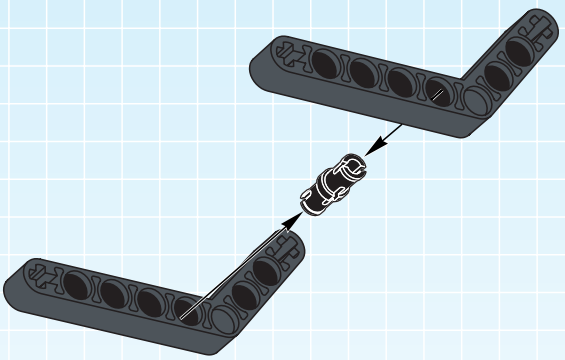
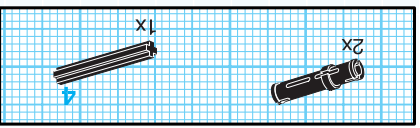


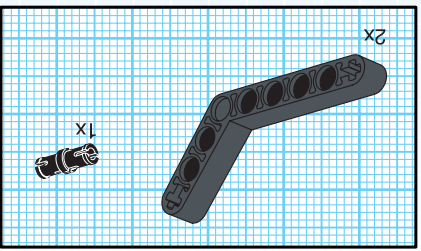
3

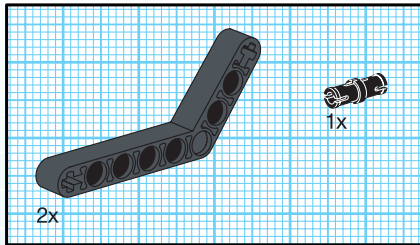


2

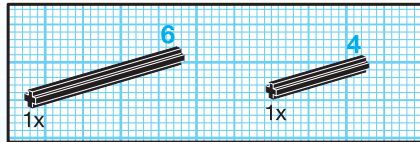
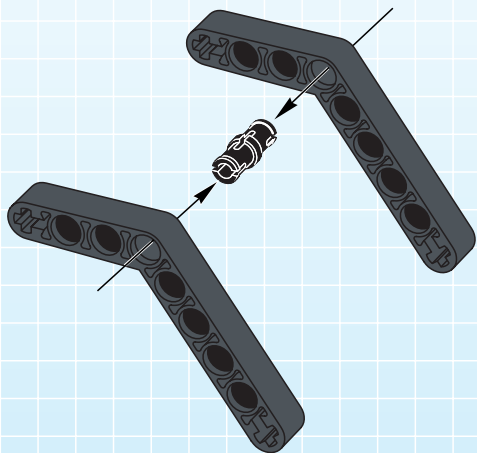


1

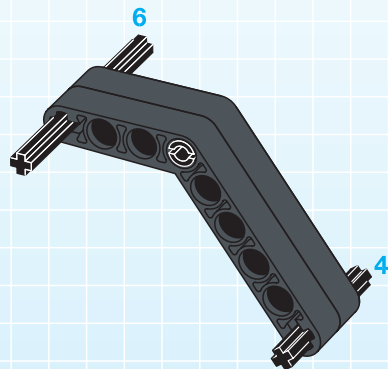


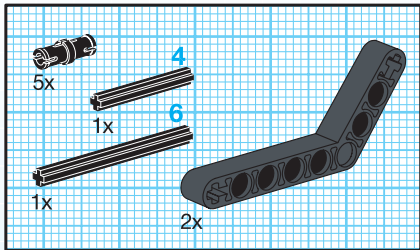


1

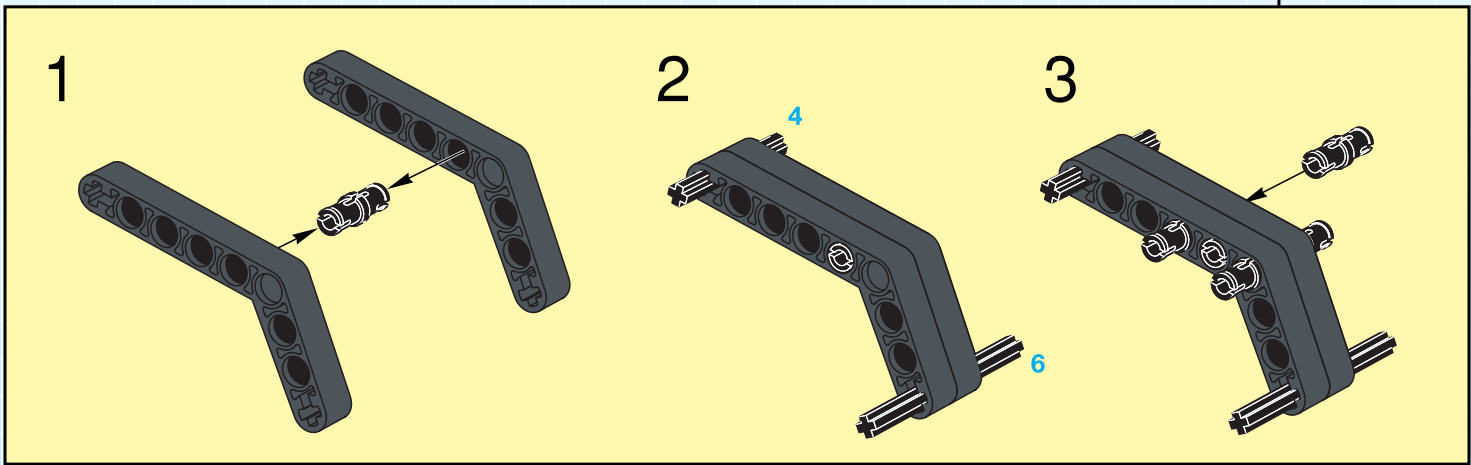
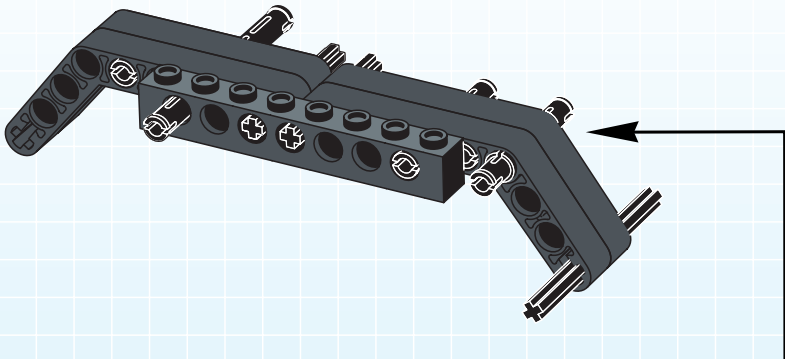


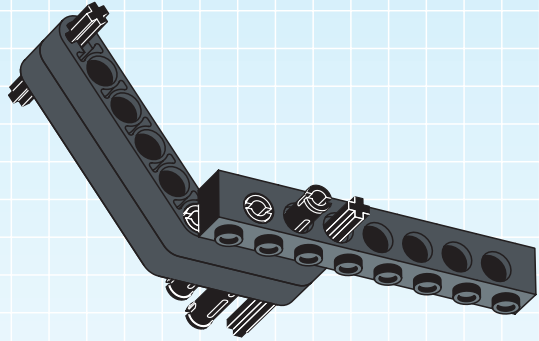
2



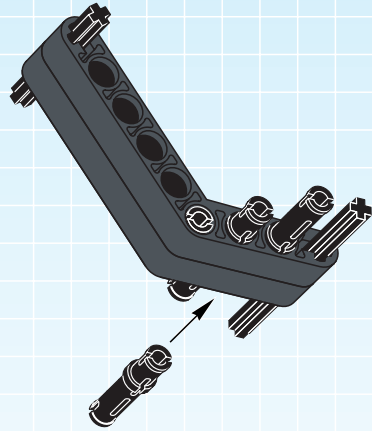
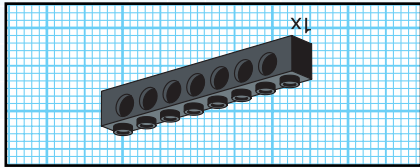


4

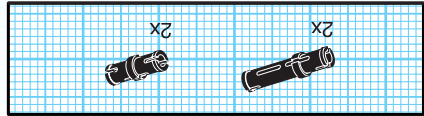


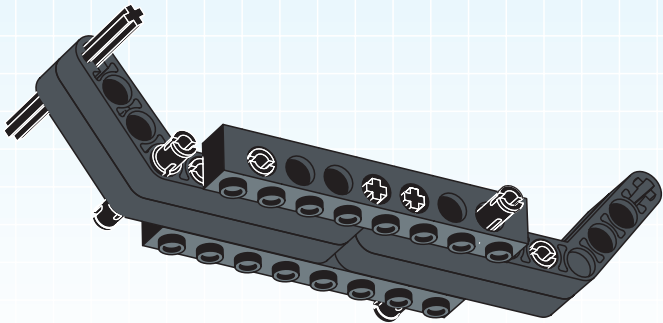
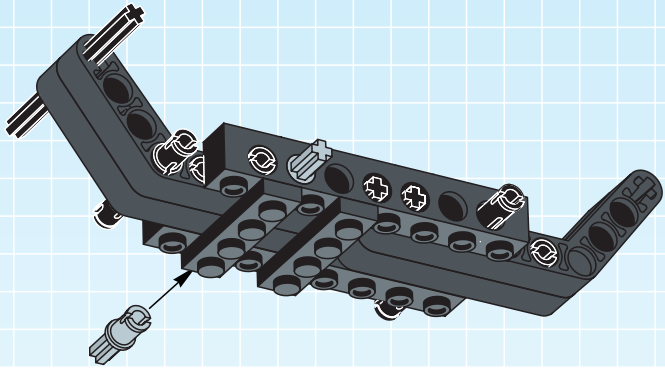


4

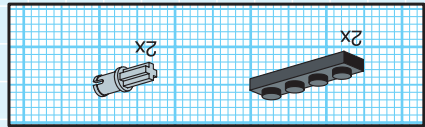


3

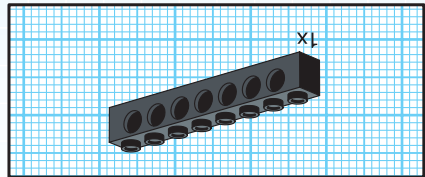


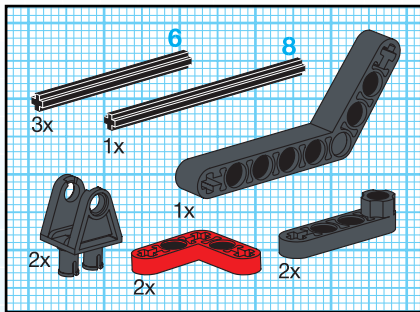


9



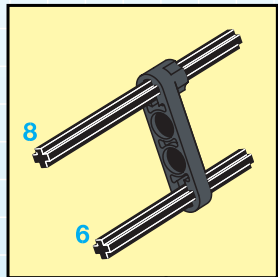
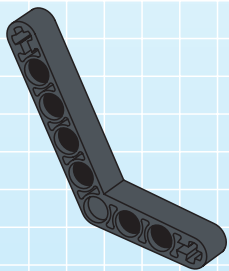
5



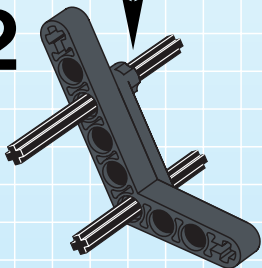


5

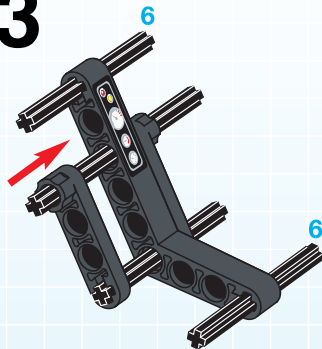
1



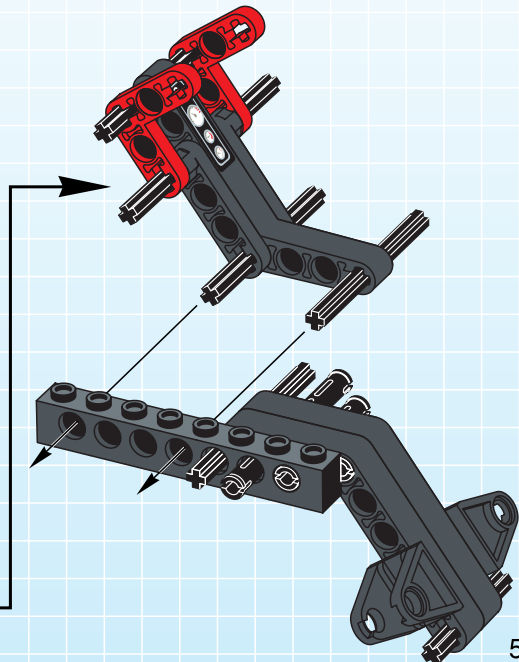
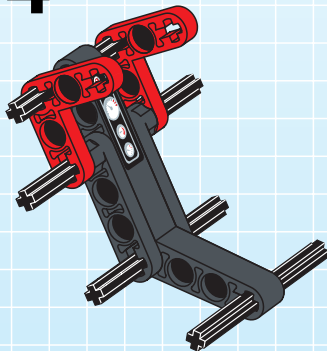
2



3

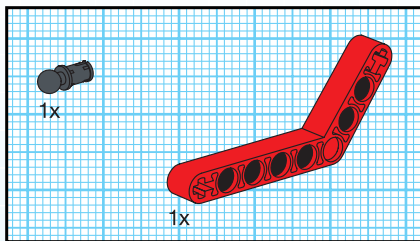


4

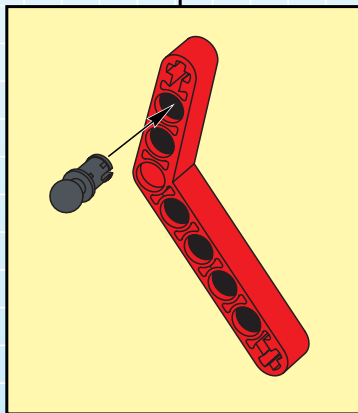
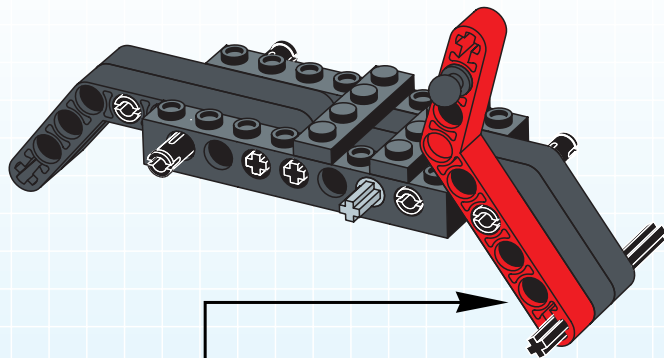


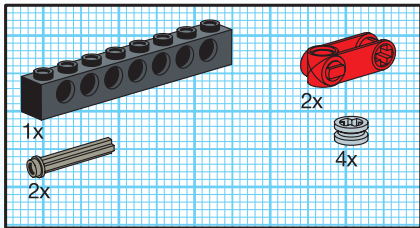
5



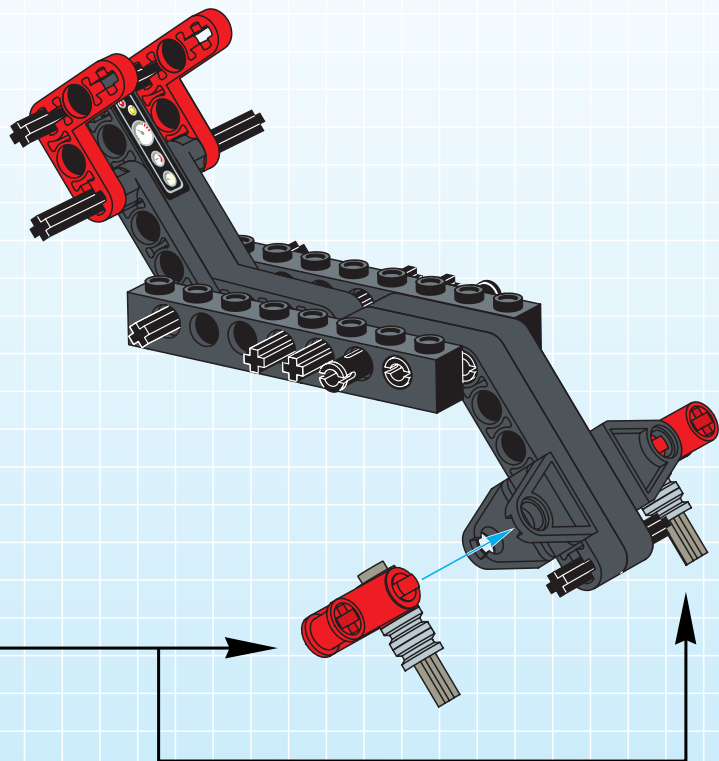
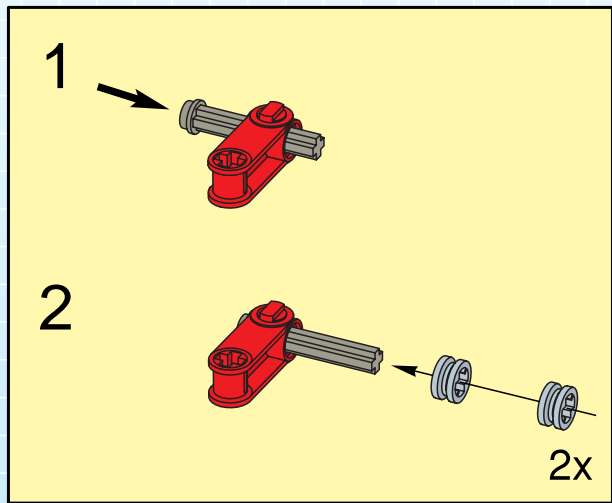


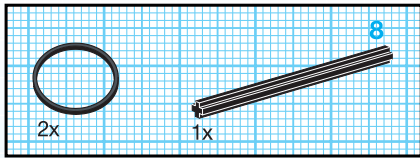
7



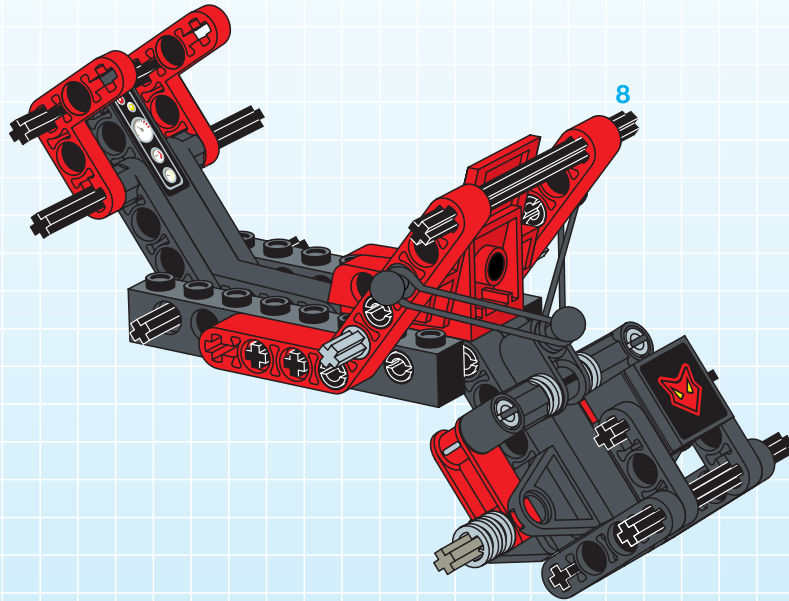


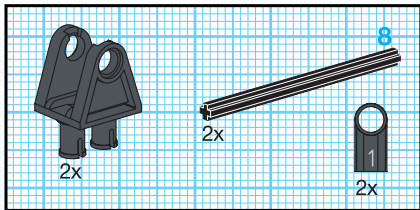
6



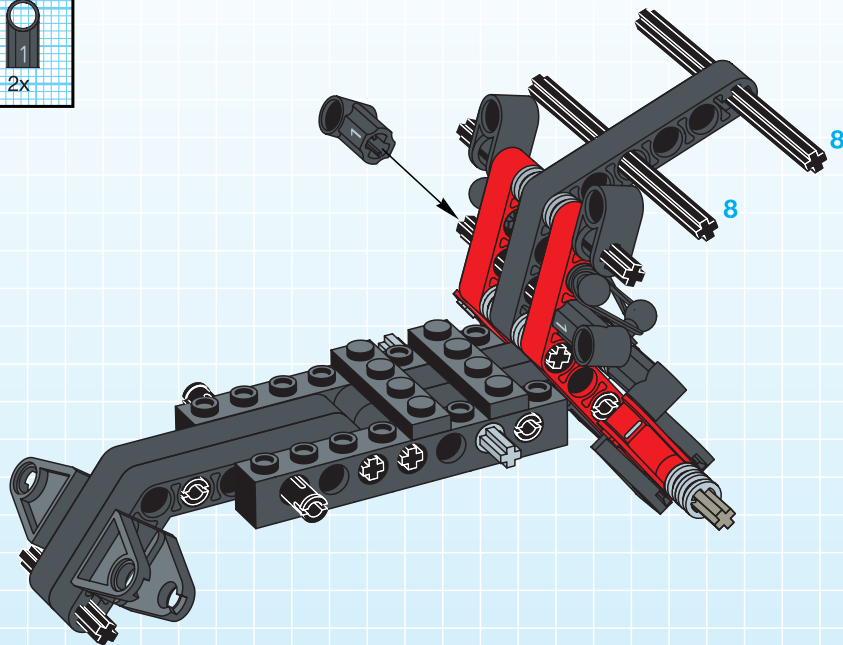


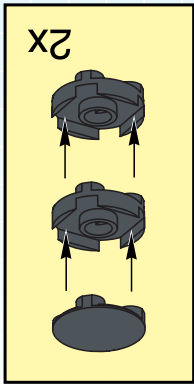
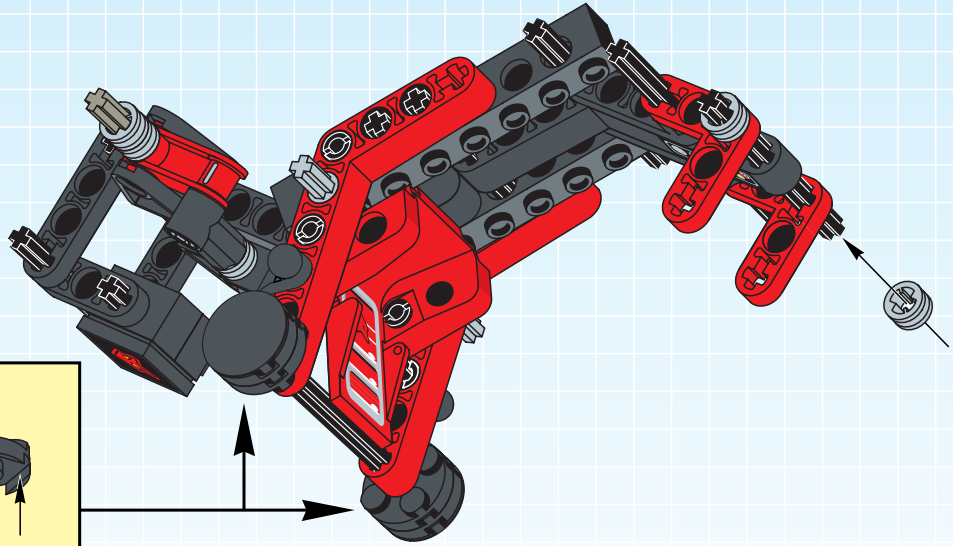
12



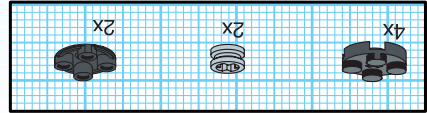


16

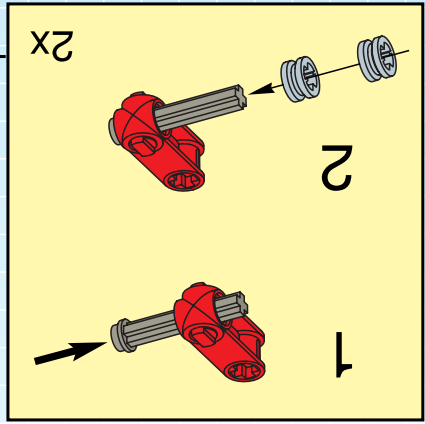
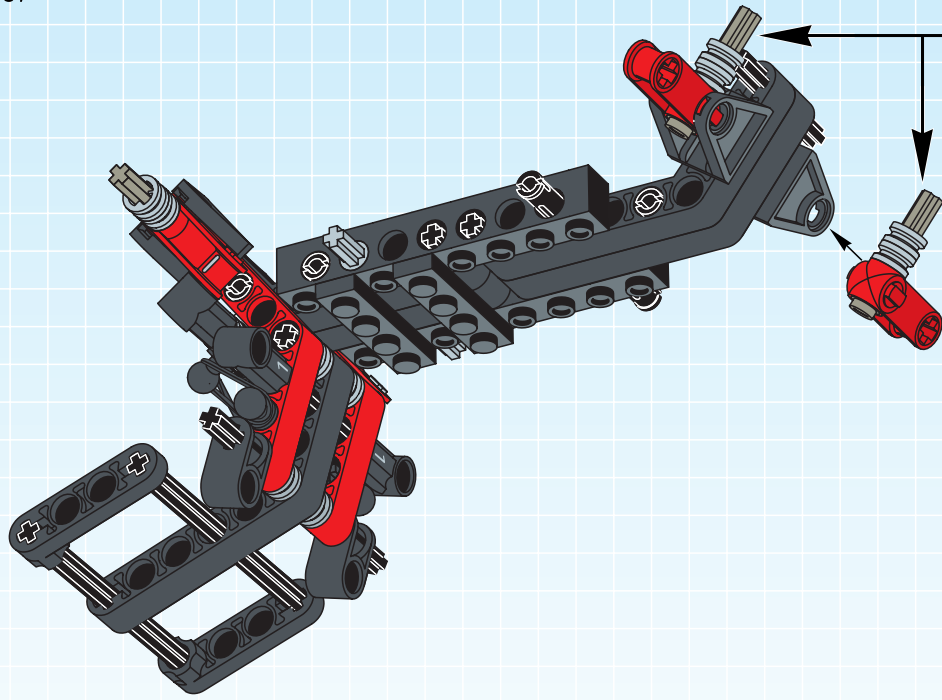




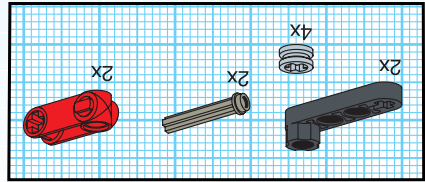
2x

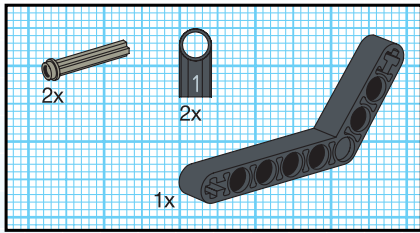


13

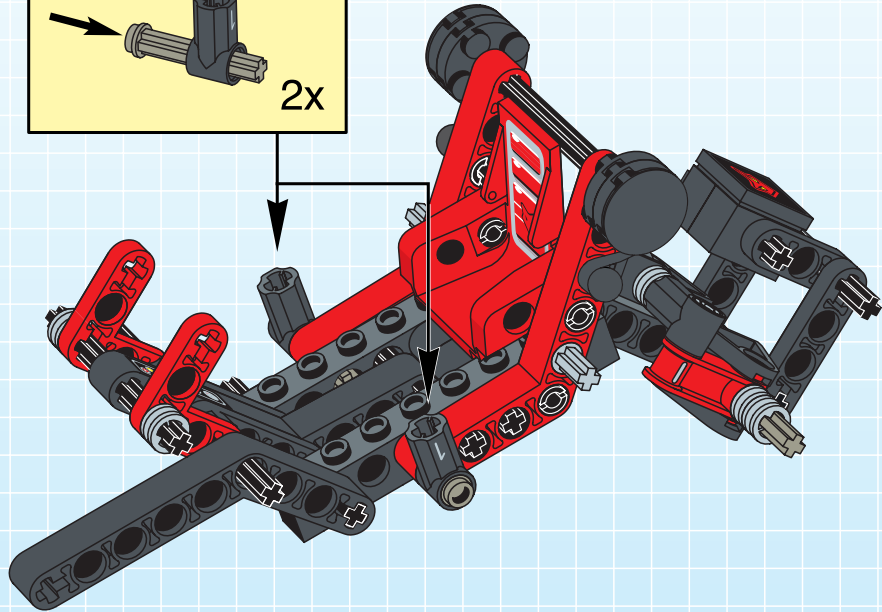
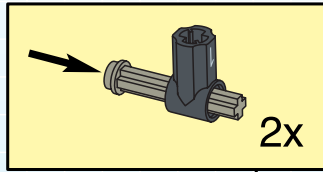


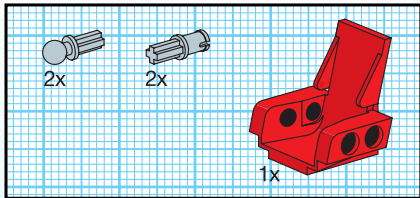
17



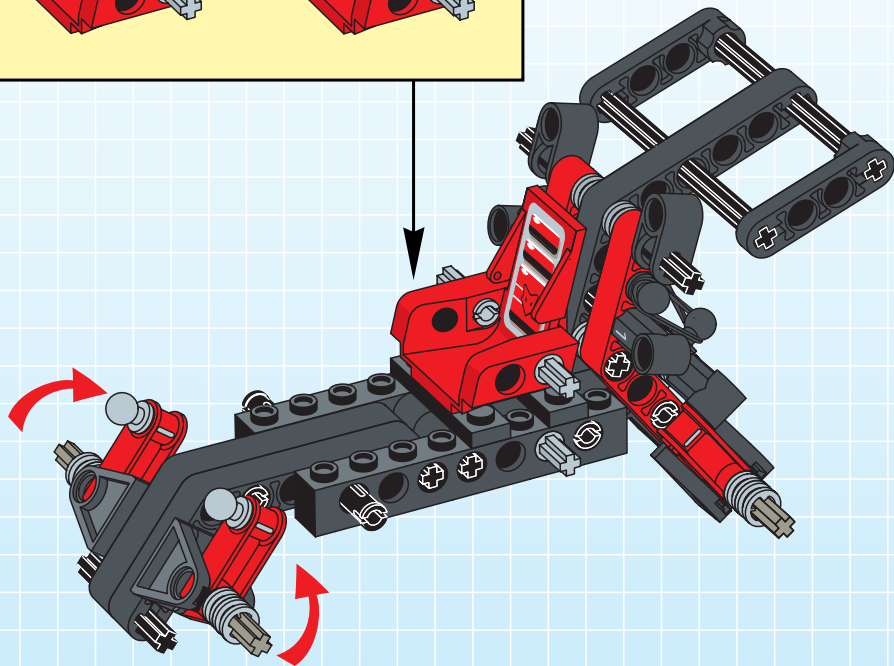
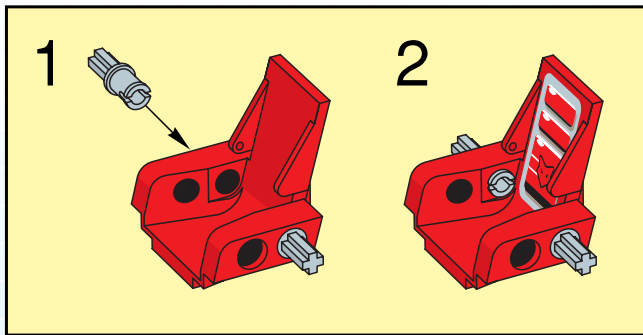


14

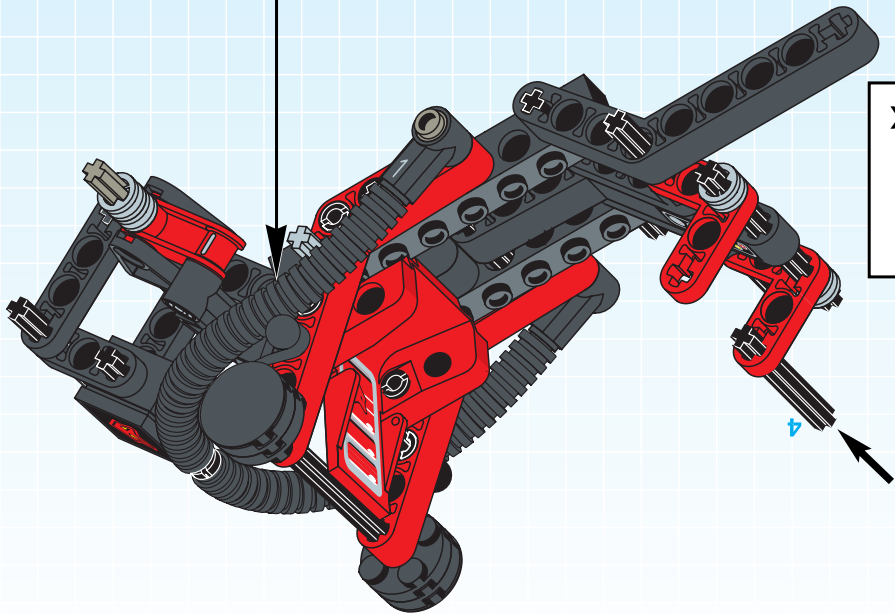
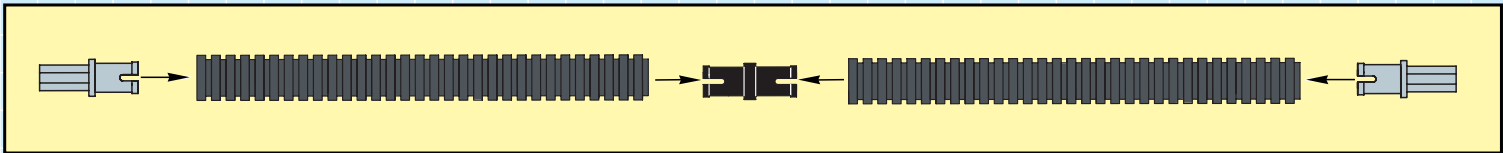




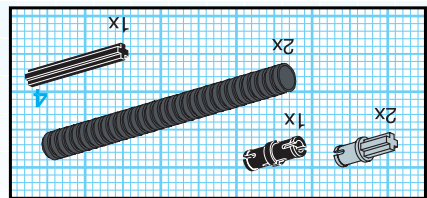
18

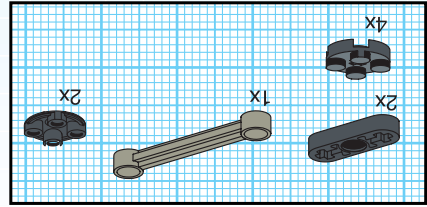
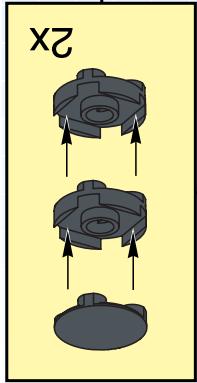
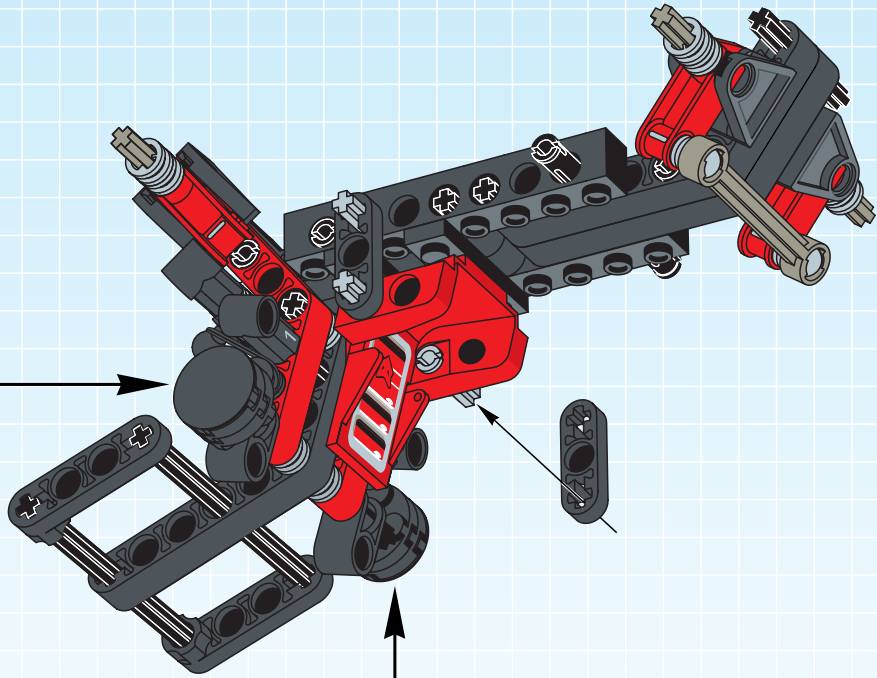




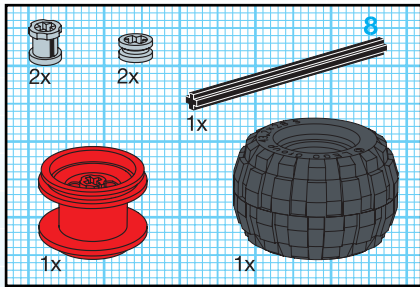


15

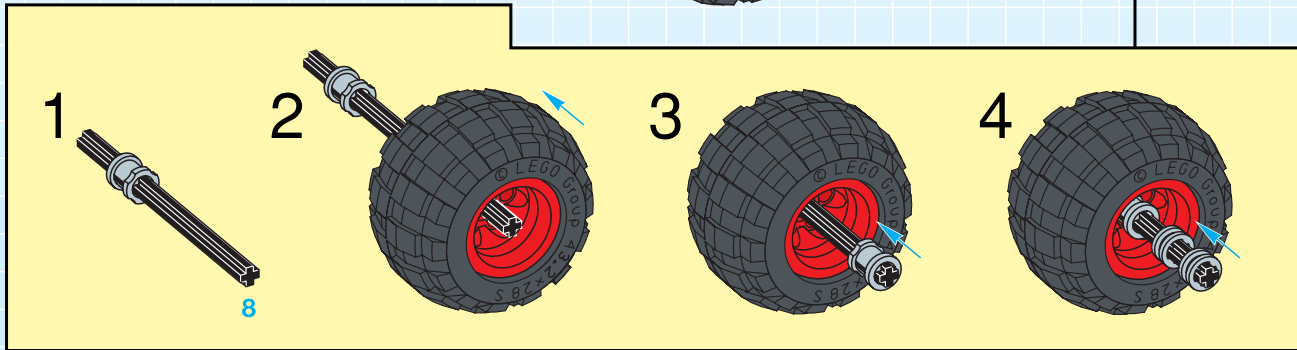
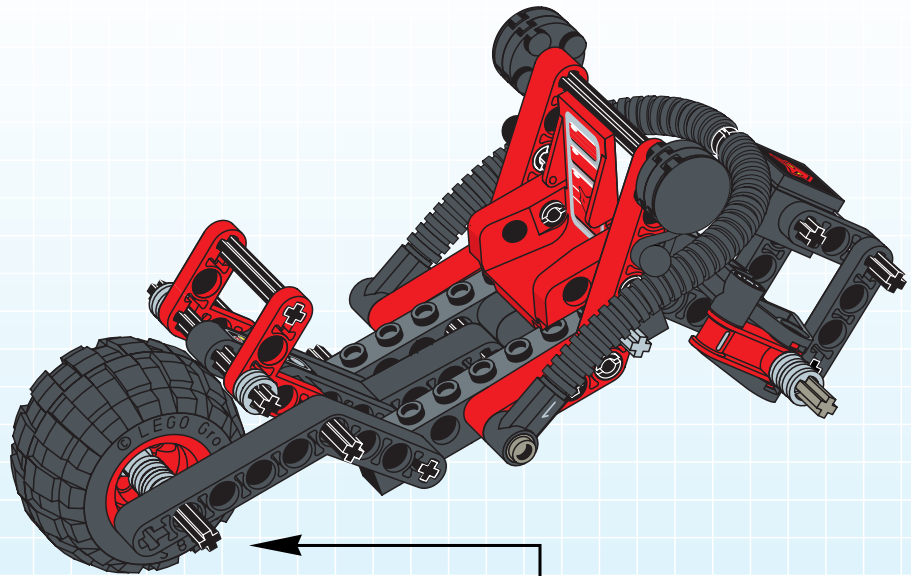


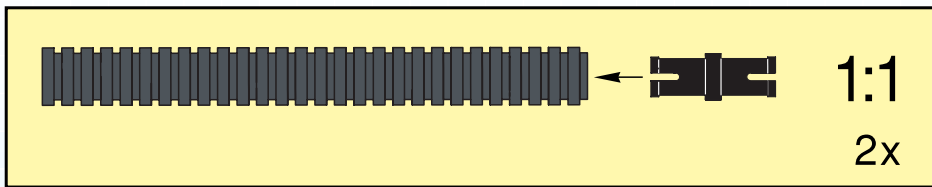
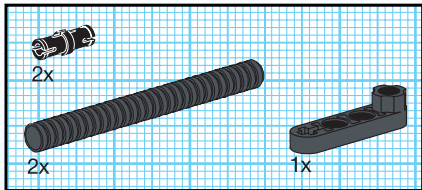


19

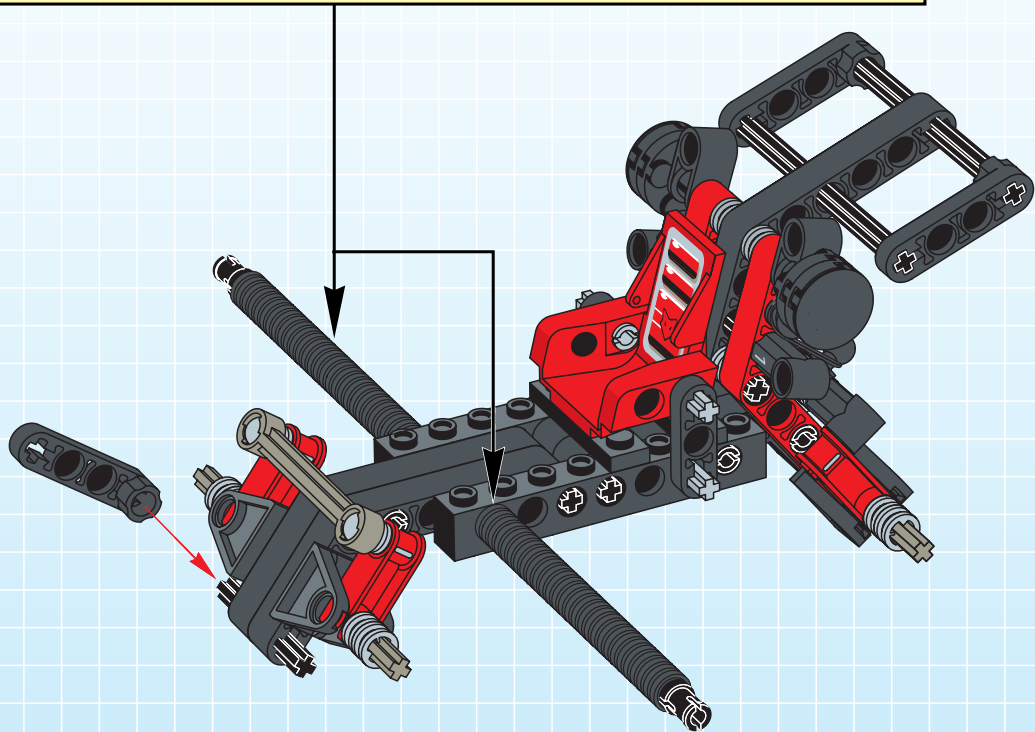


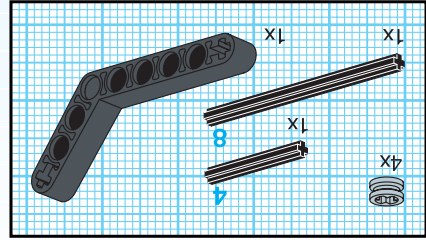
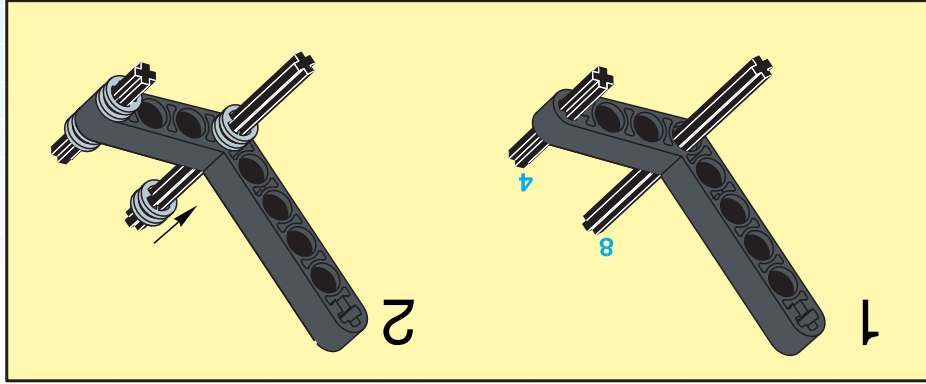
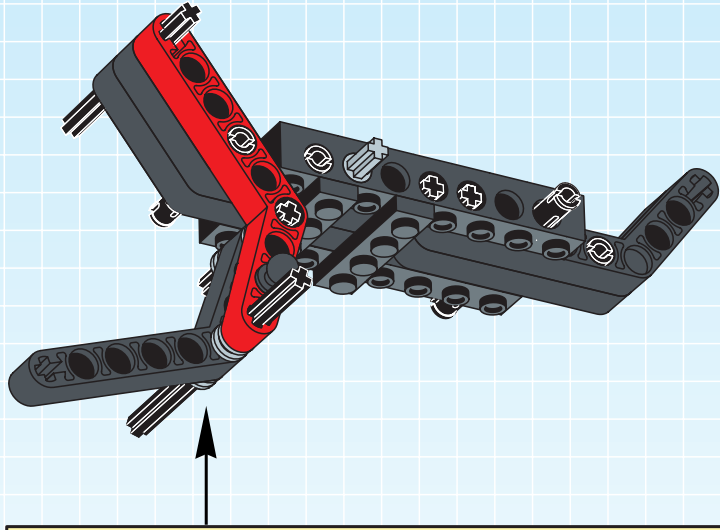
16



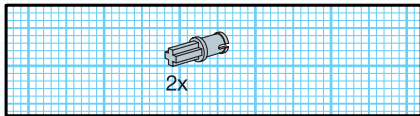


20

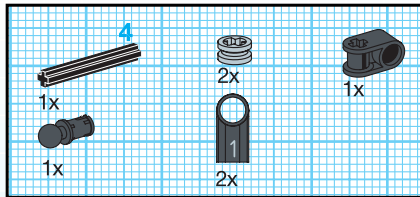
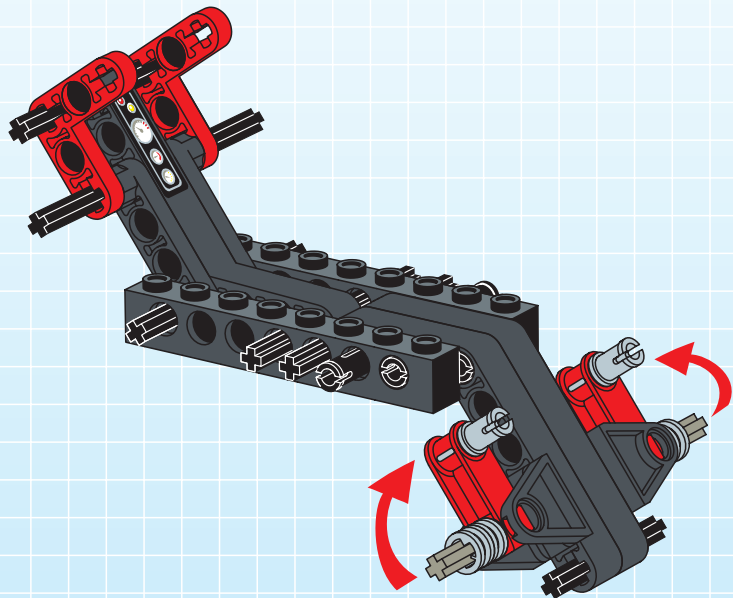




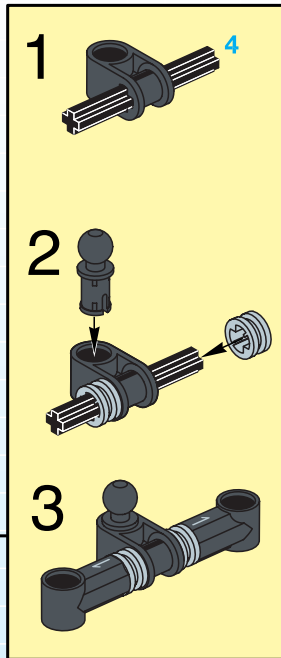
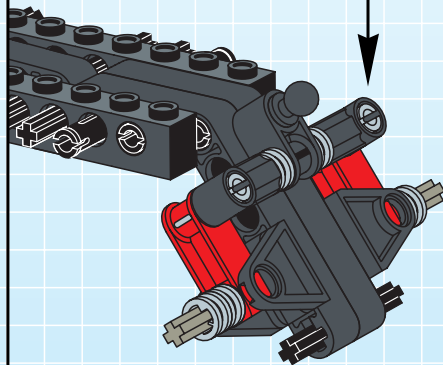
8

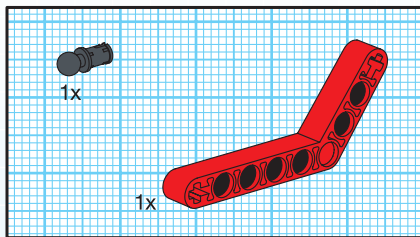


7

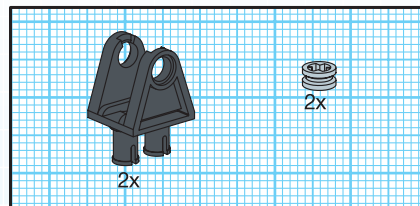
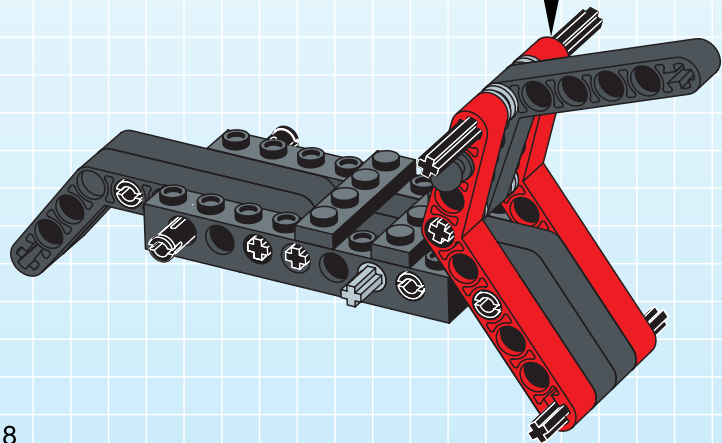
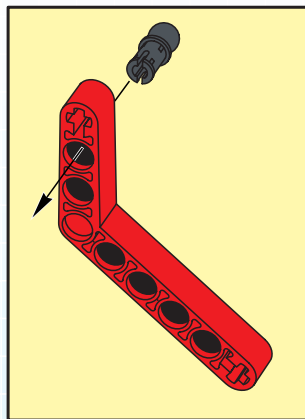


8

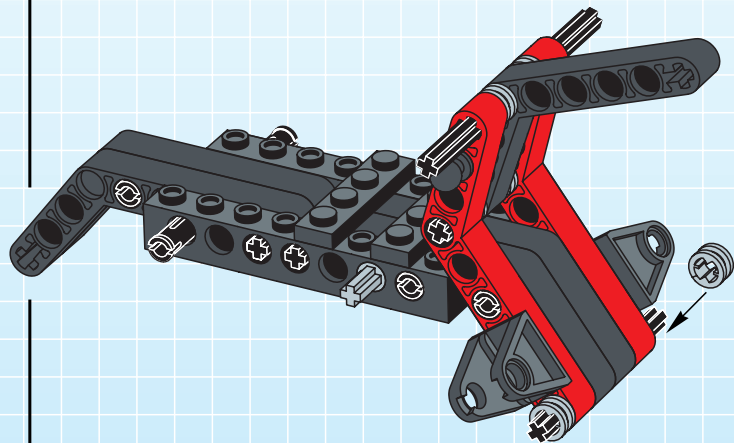




9

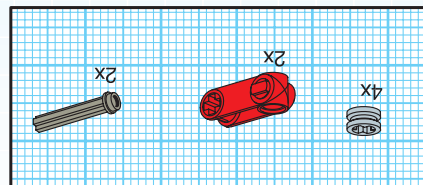
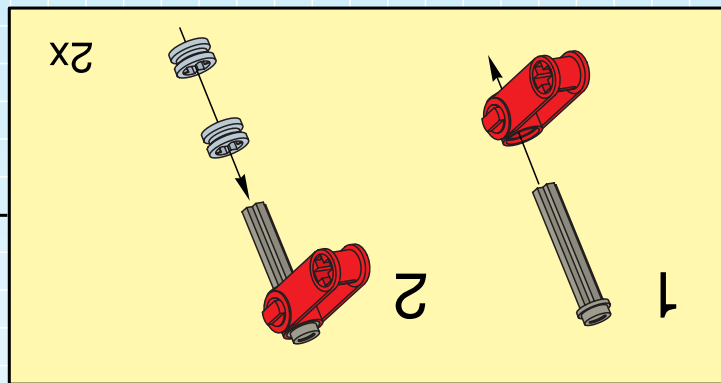
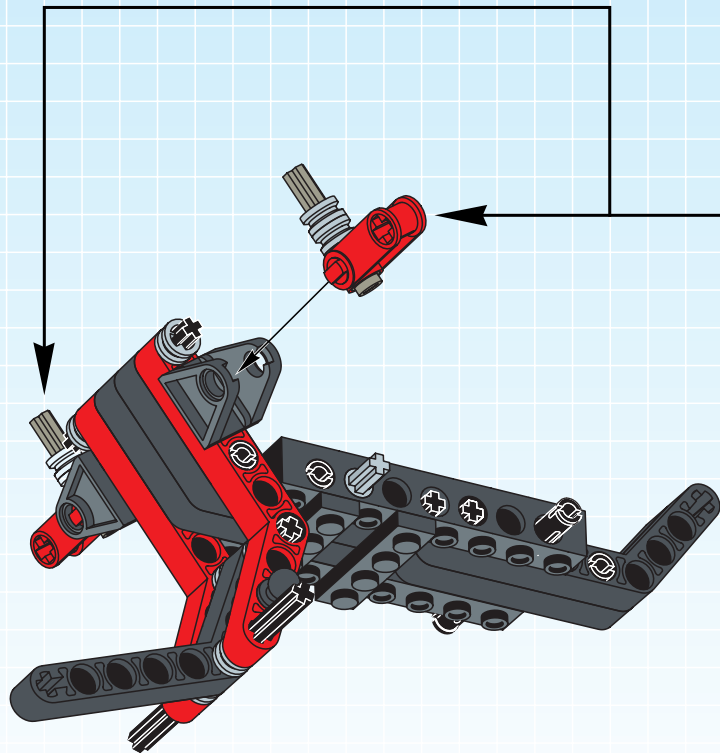


10

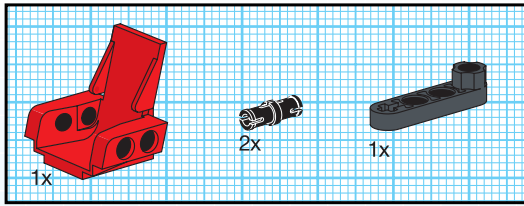




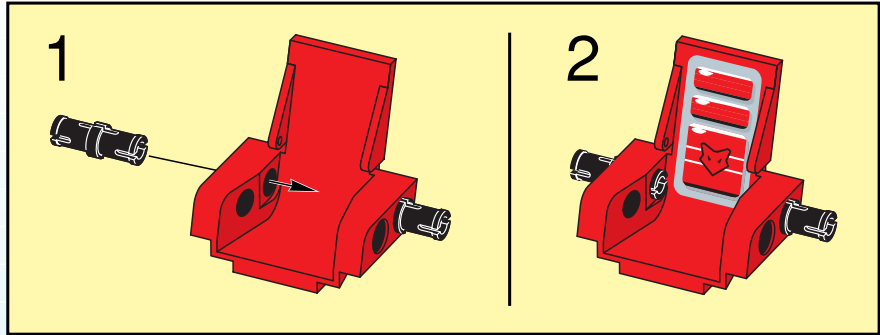
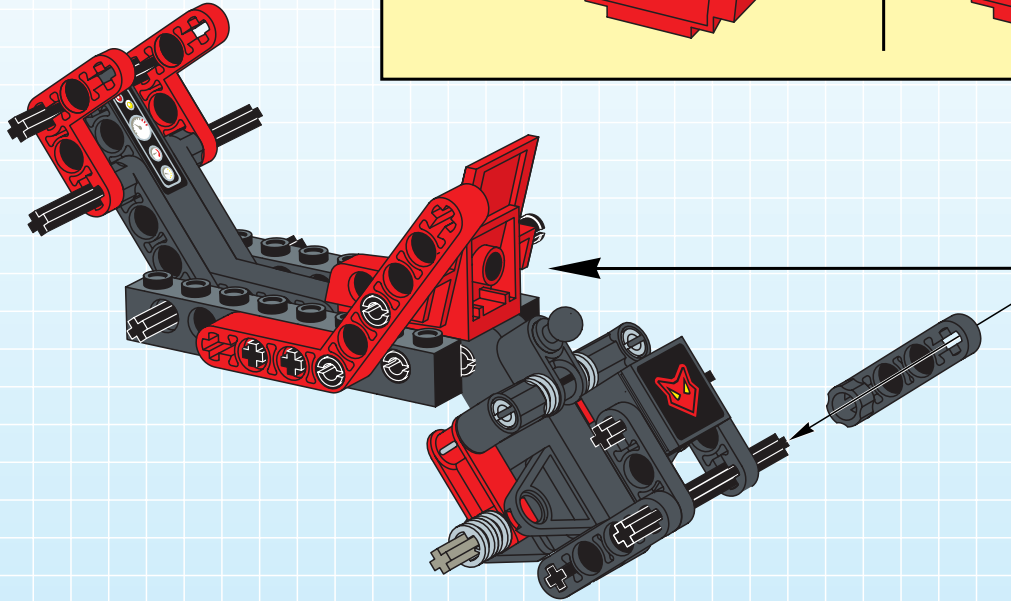


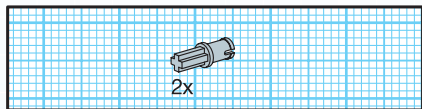


11

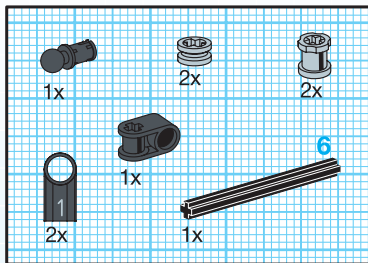
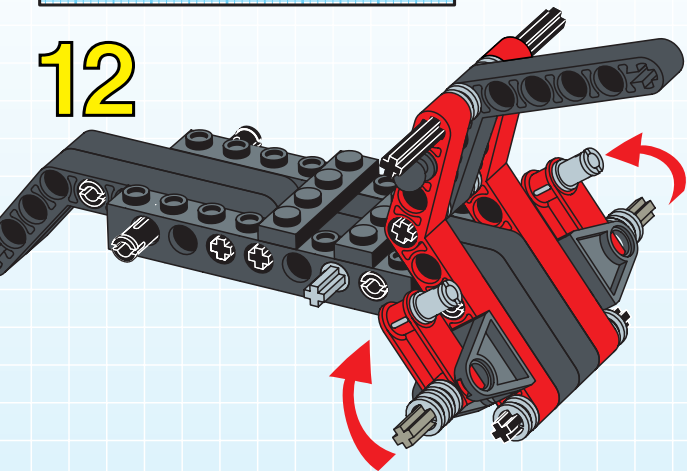


10

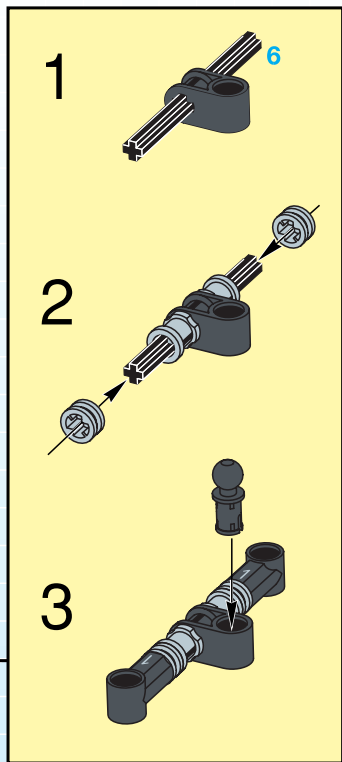
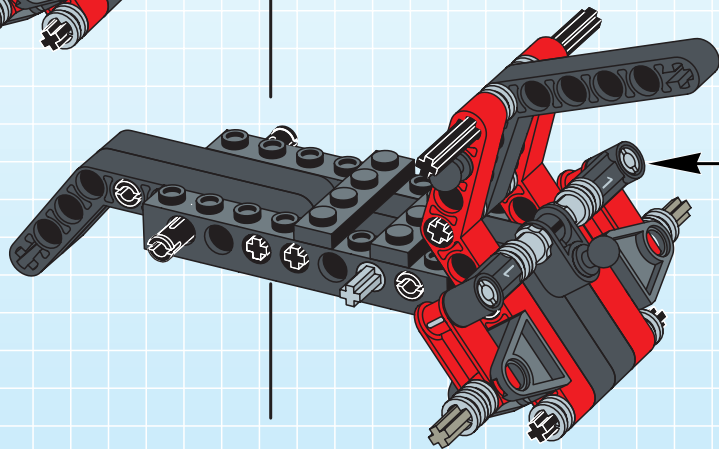


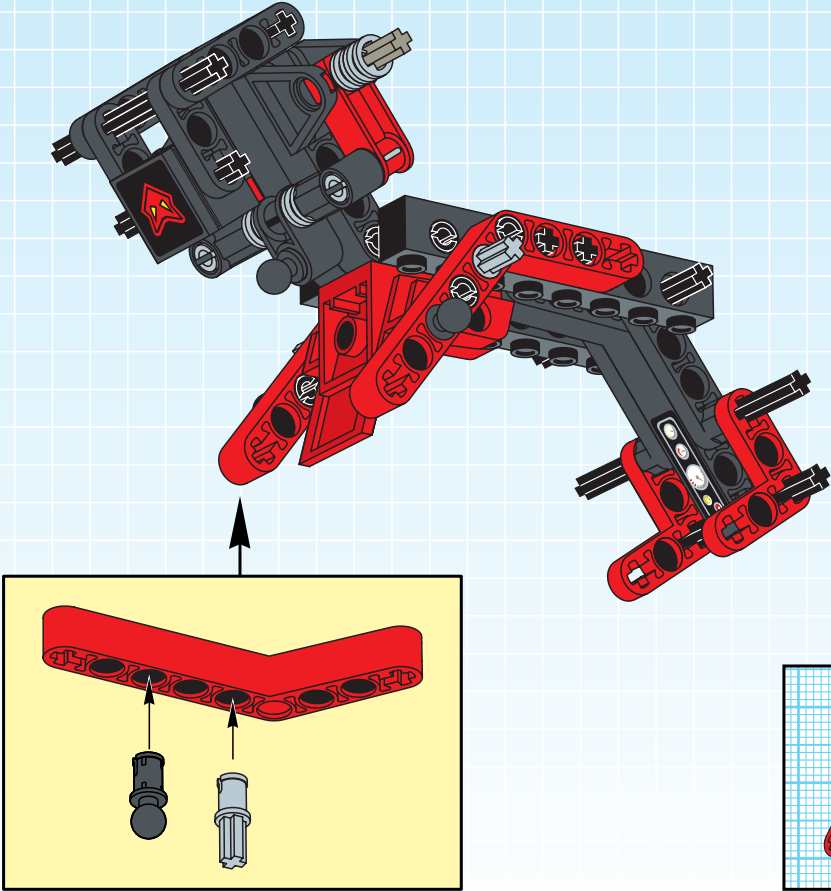


12

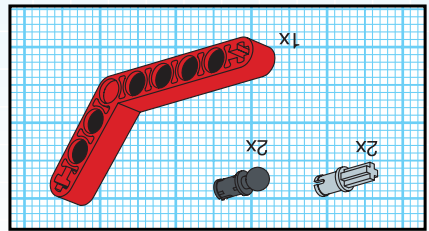


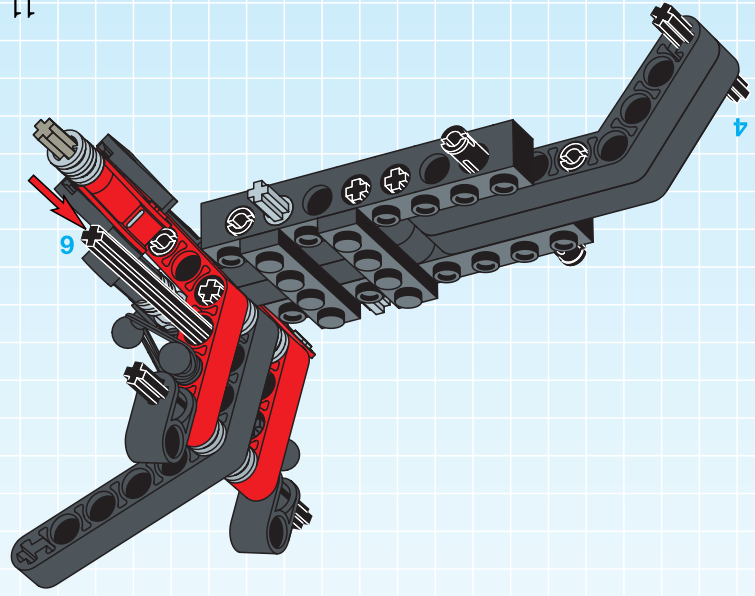
13



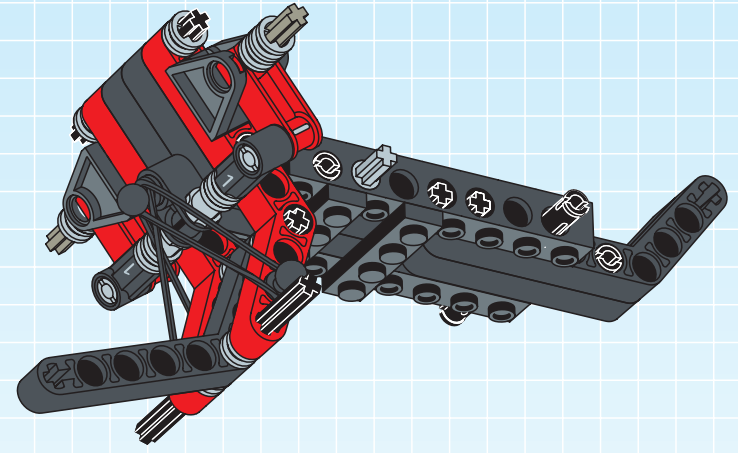
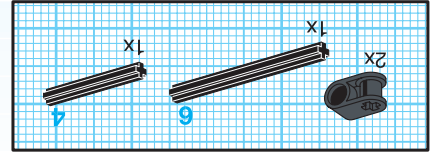


11

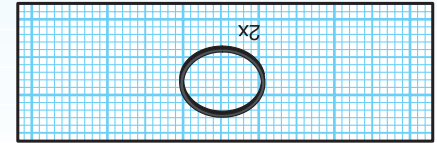


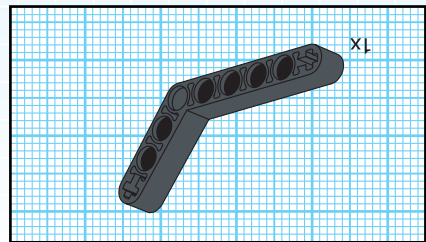
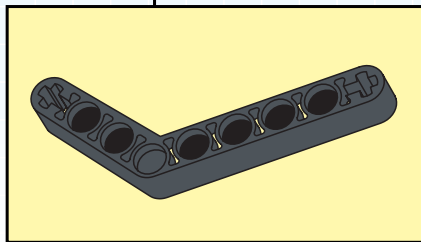
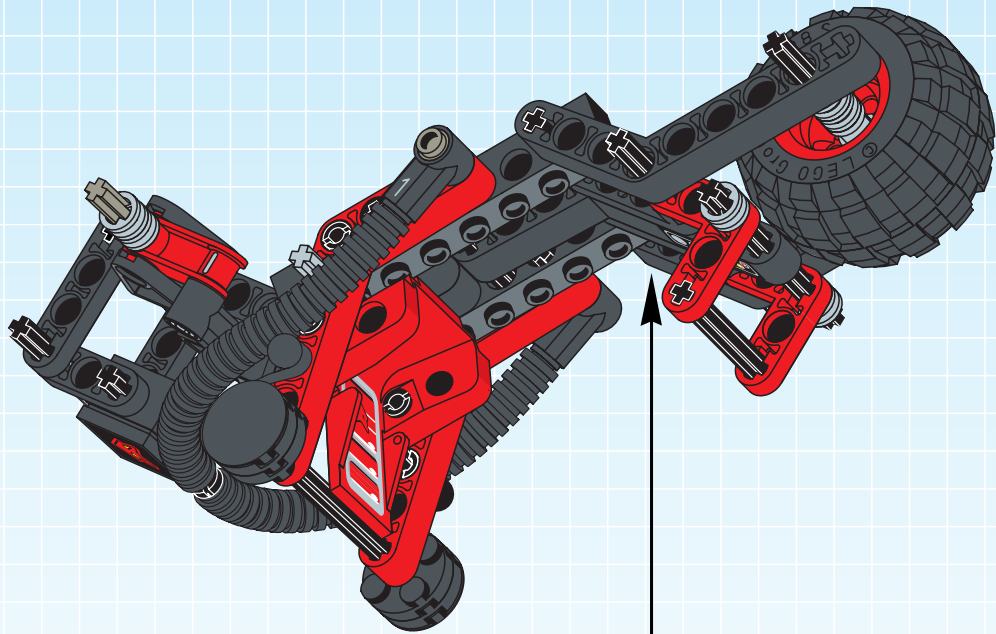


15



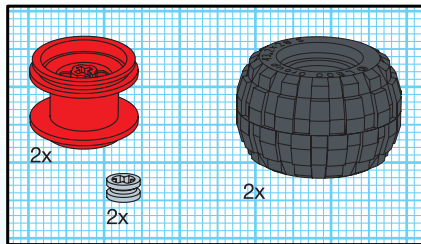
14



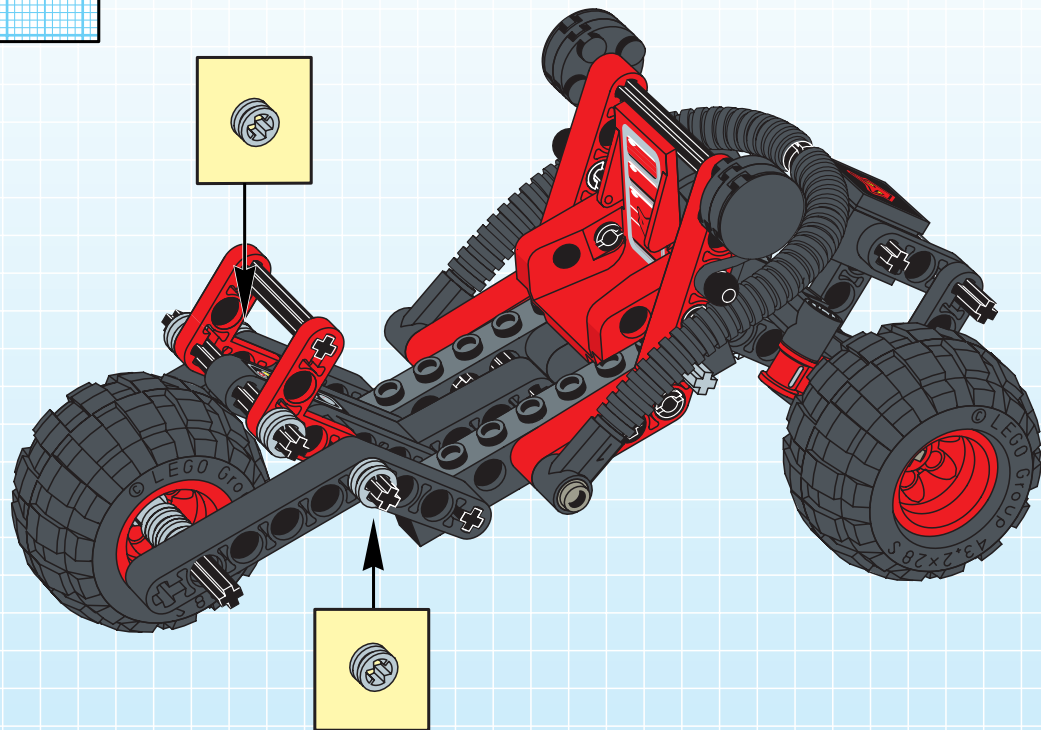


17

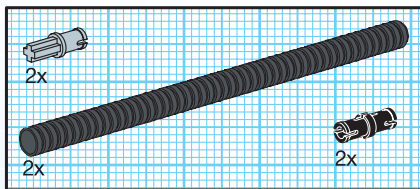




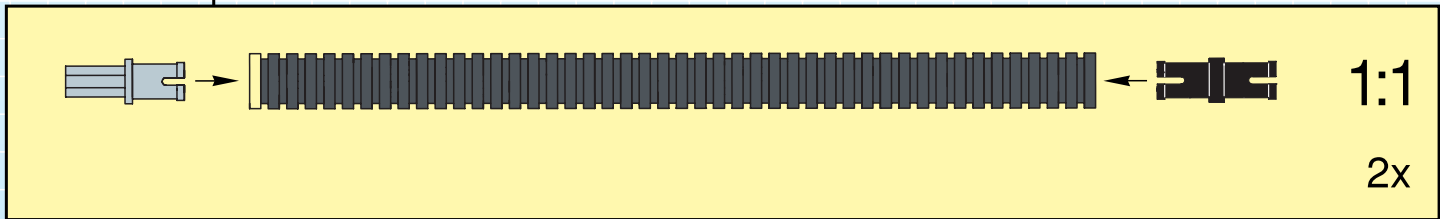
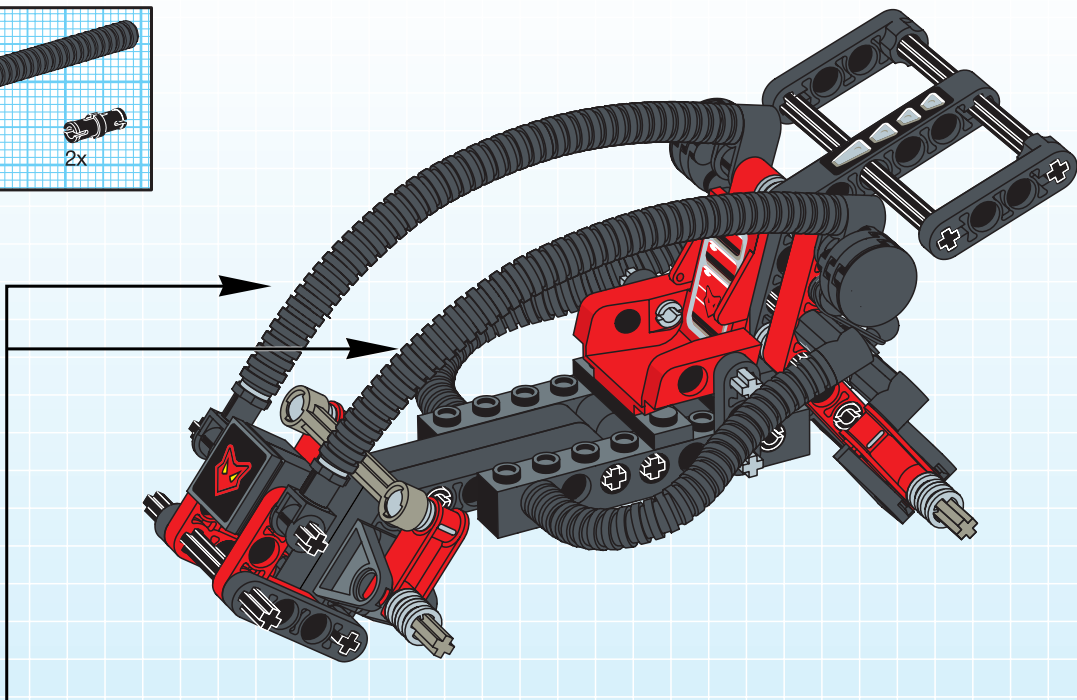
18

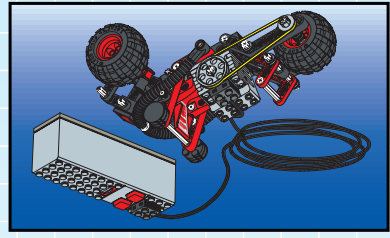
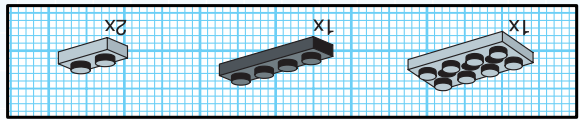
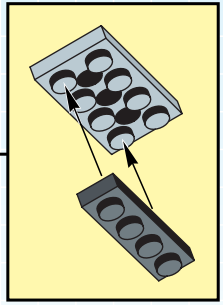
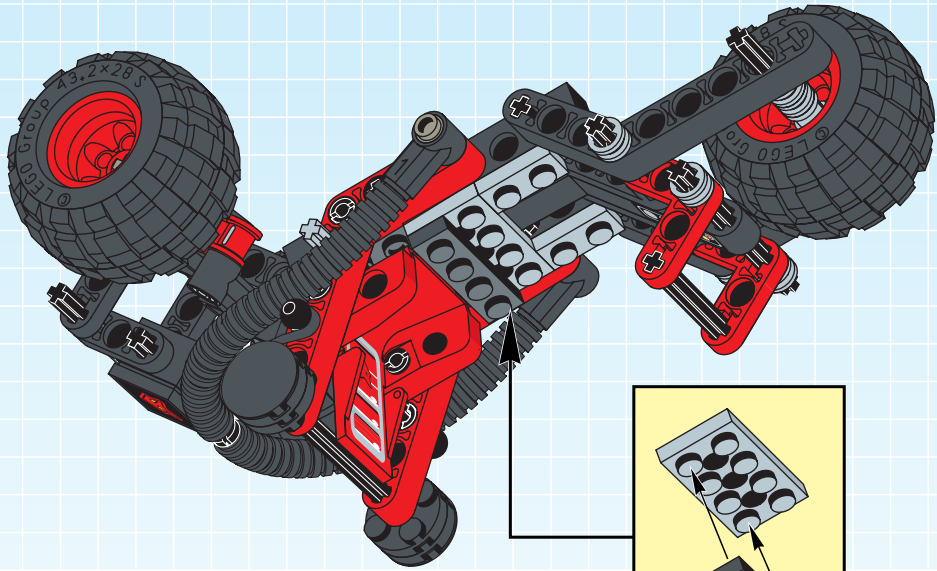






22

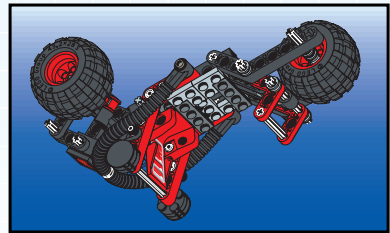




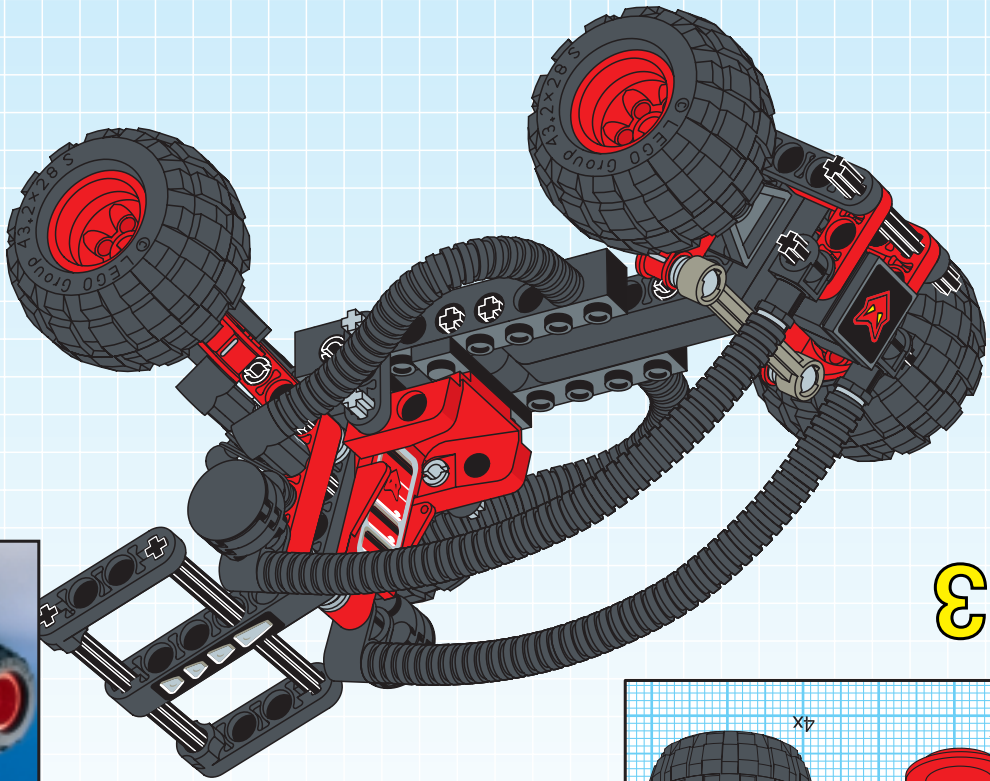
=



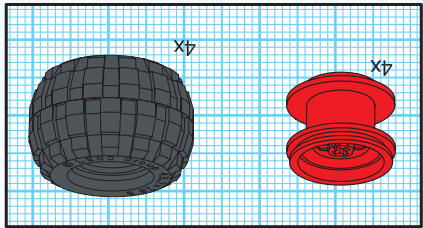
+

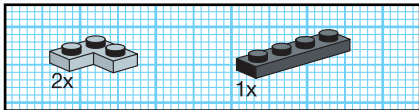


8226+8735

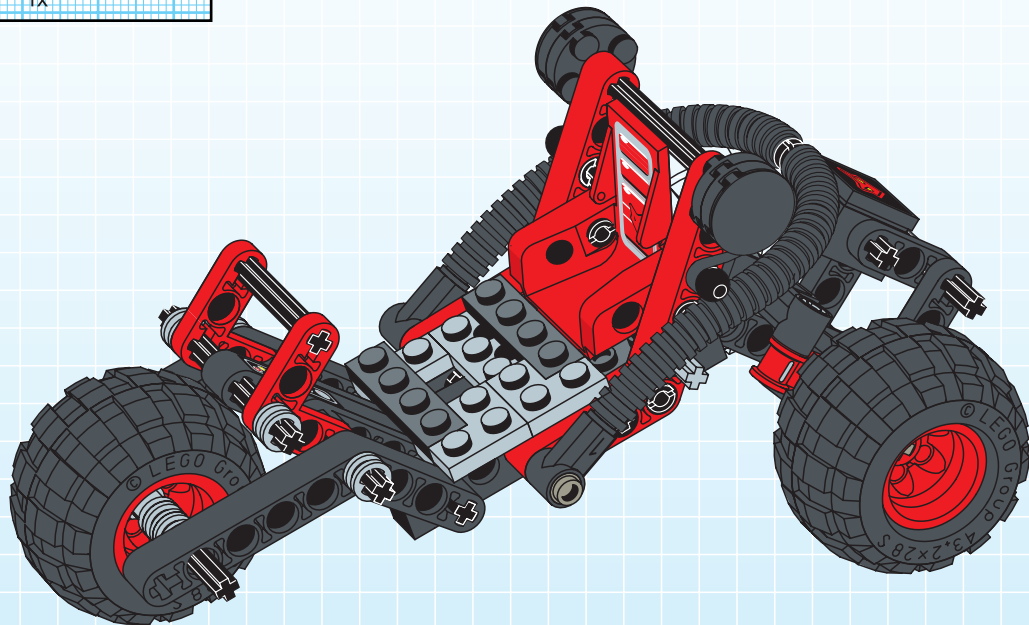


23

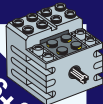


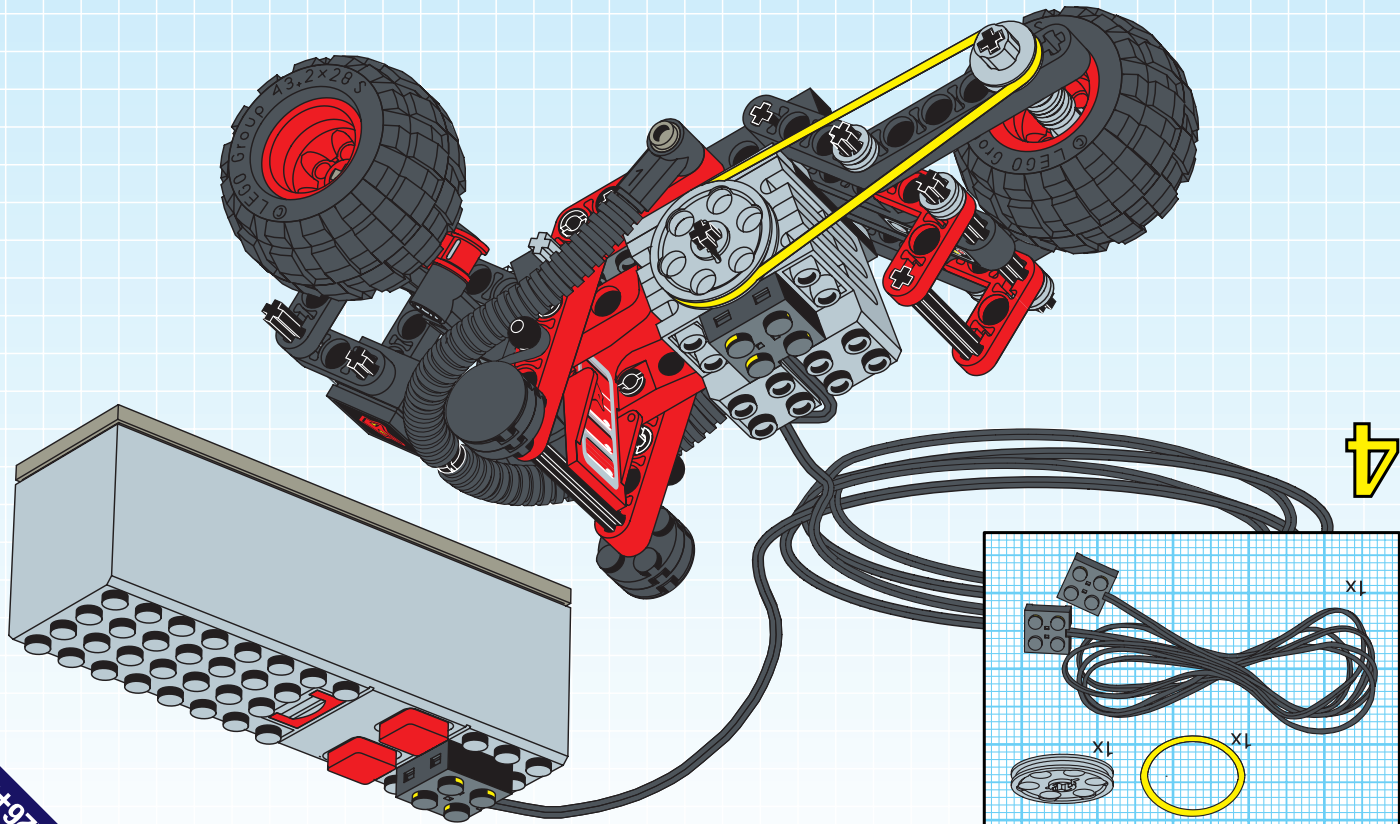


2

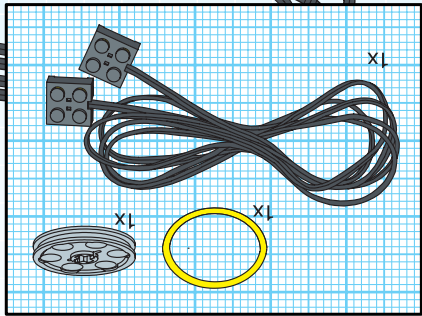


8226+8735

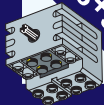


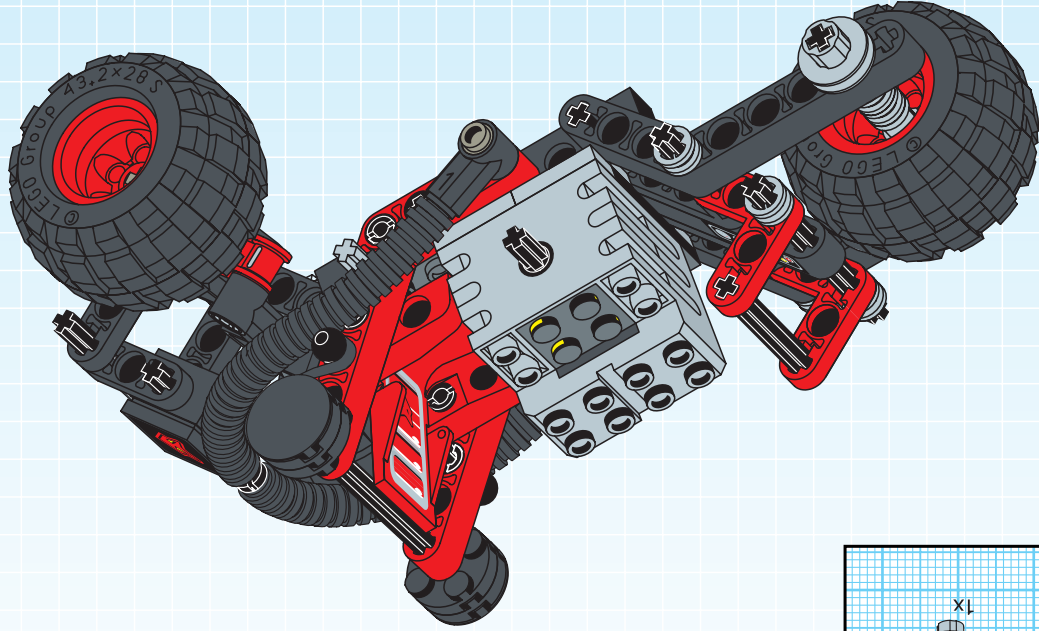


4

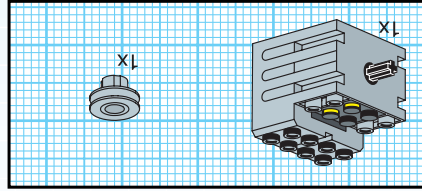


8226+8735





3



8226+8735

