

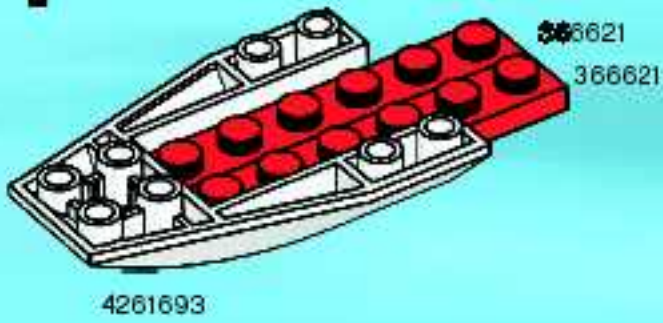


CITY

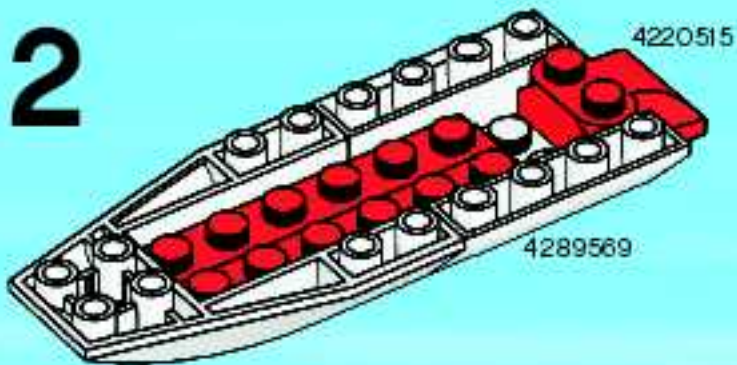
4992



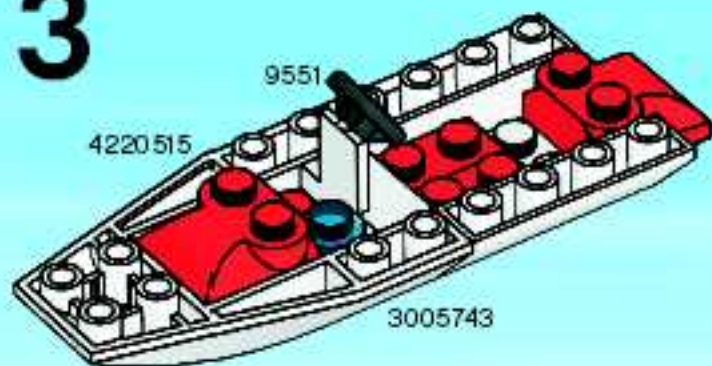
1



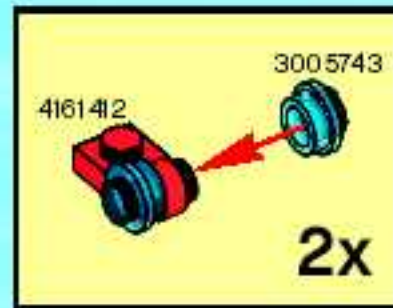
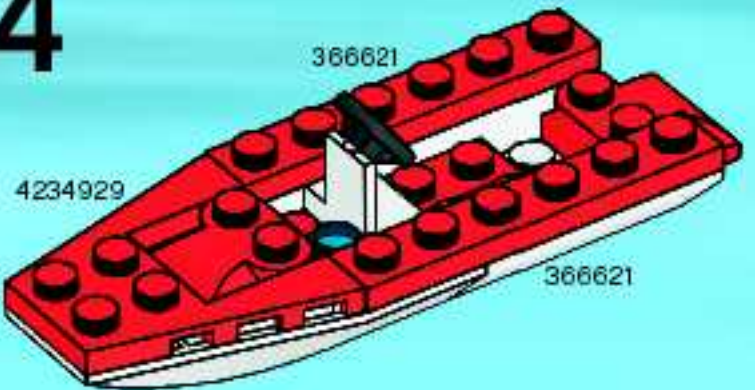
2



3



4



5

