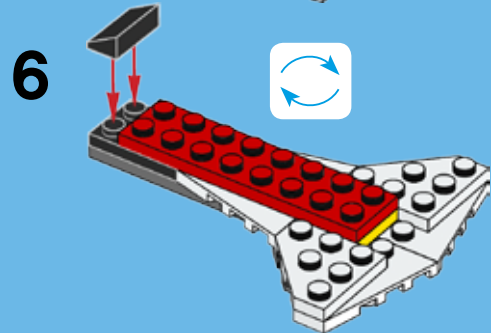
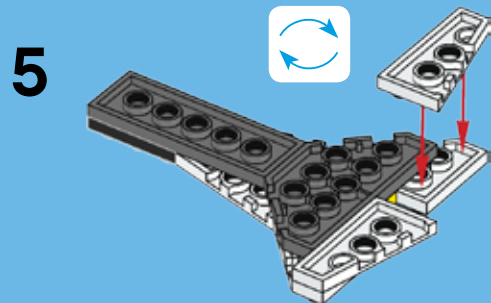
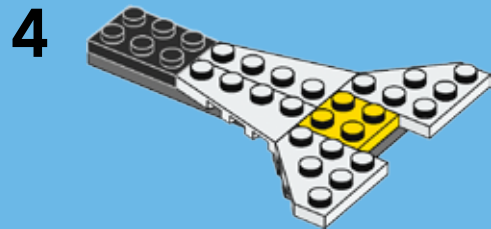
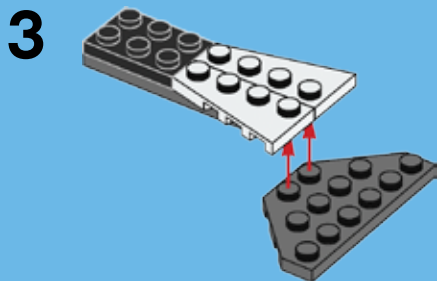
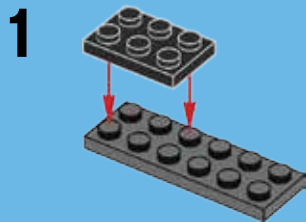




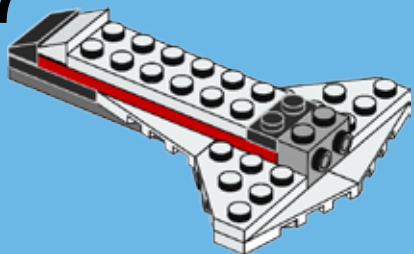
6+
40127



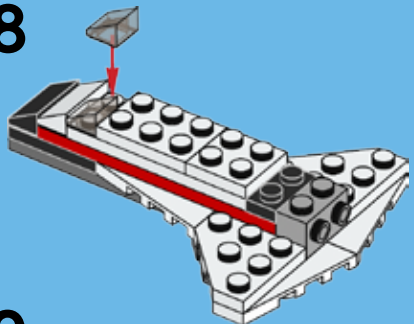
6159705



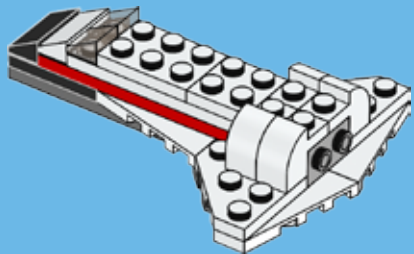
7



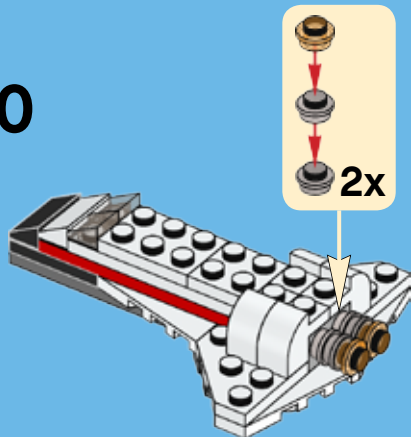
8



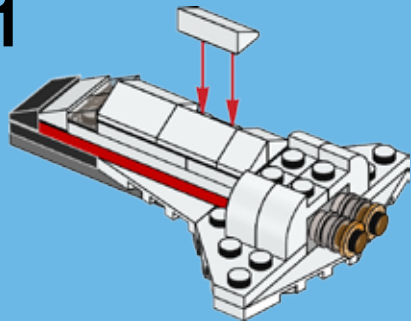
9



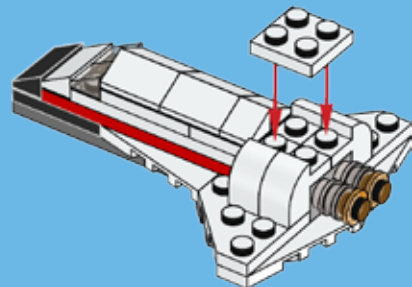
10



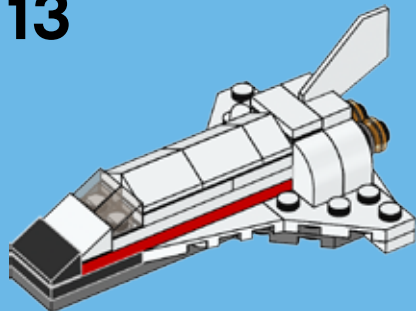
11



12



13



LEGO and the LEGO logo are trademarks of the/
sont des marques de commerce du/son marcas
registradas de LEGO Group. ©2016 The LEGO Group.
6159705