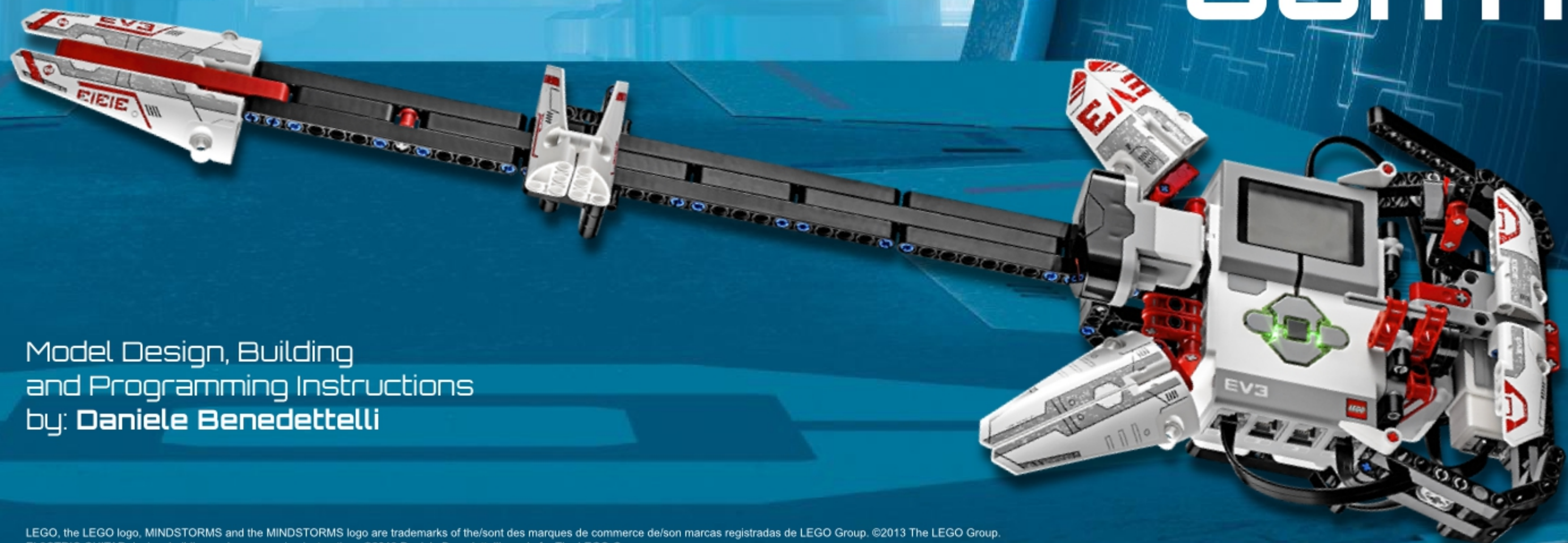


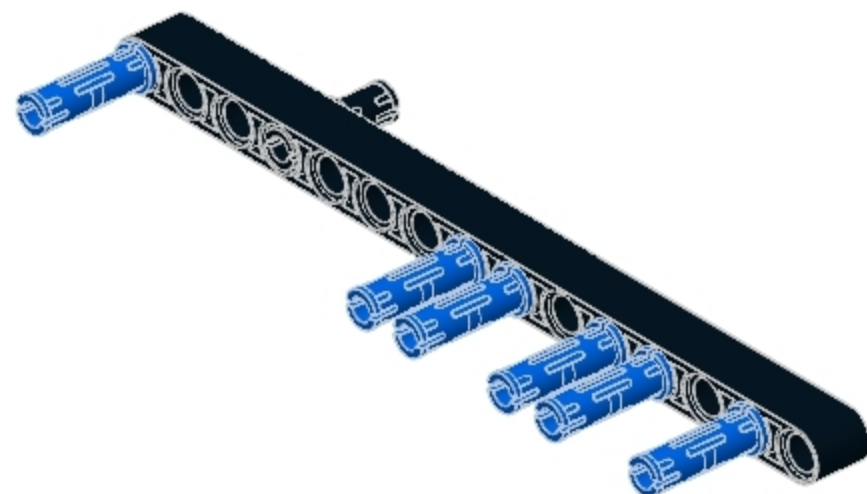
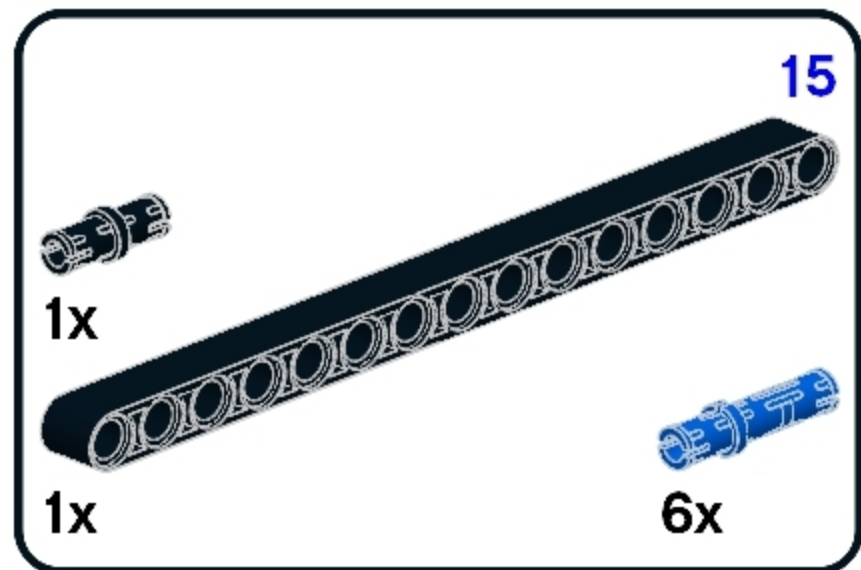
LEGO mindstorms[®]
EV3

EL3CTRIC GUITAR

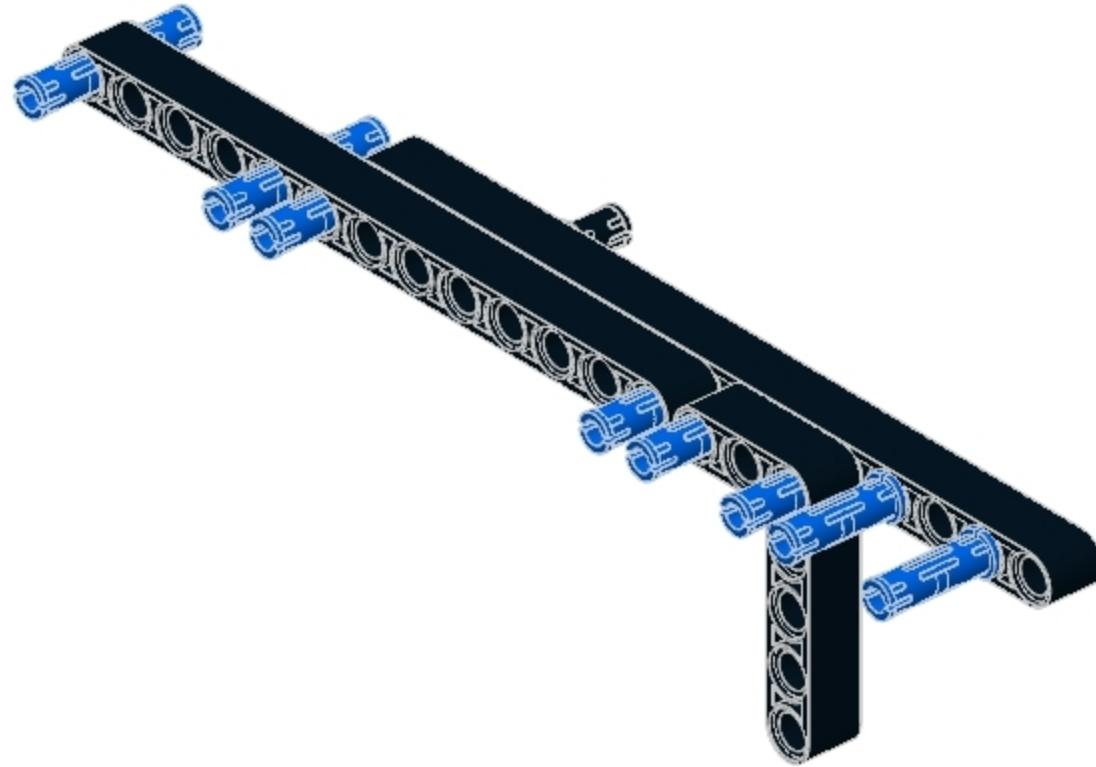
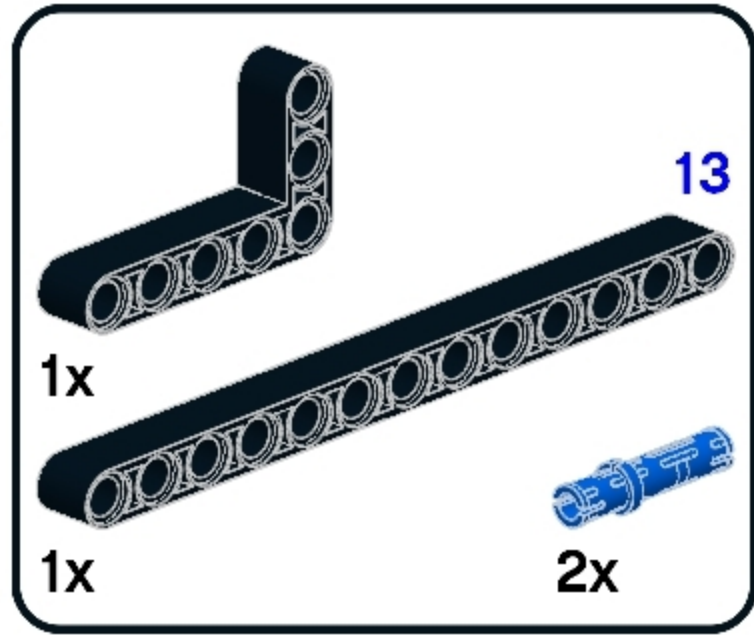


Model Design, Building
and Programming Instructions
by: **Daniele Benedettelli**

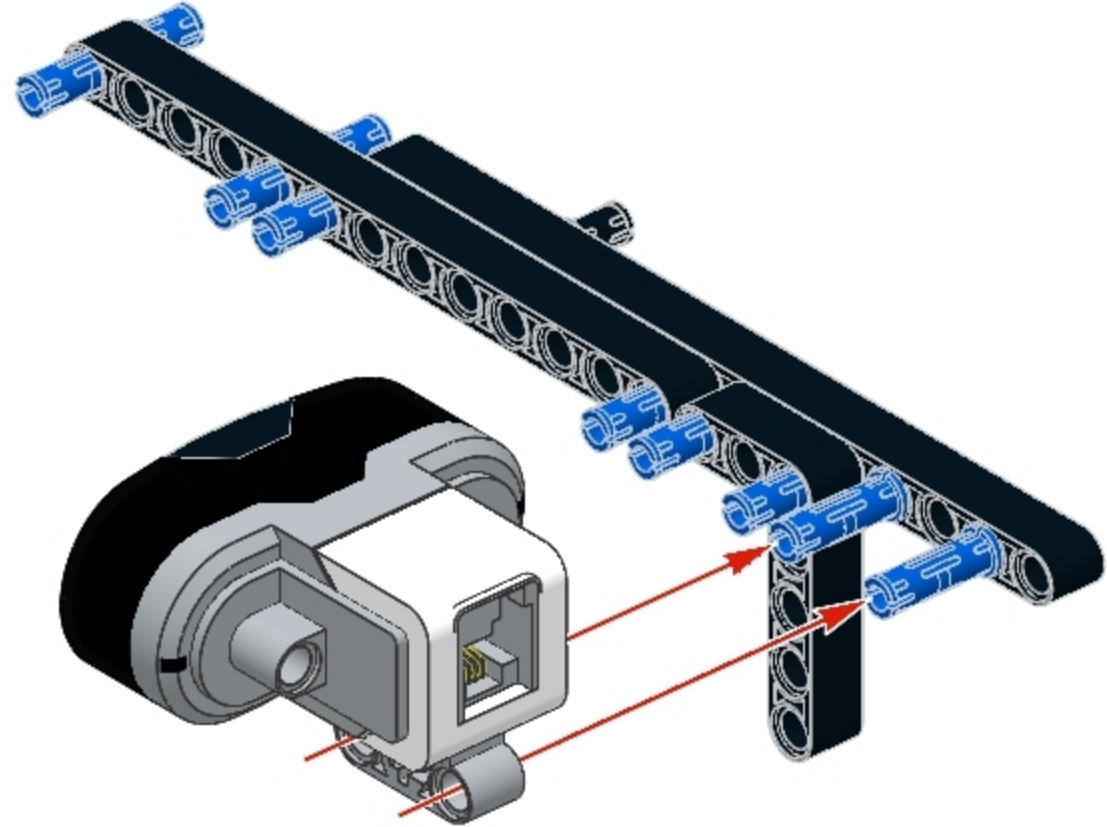
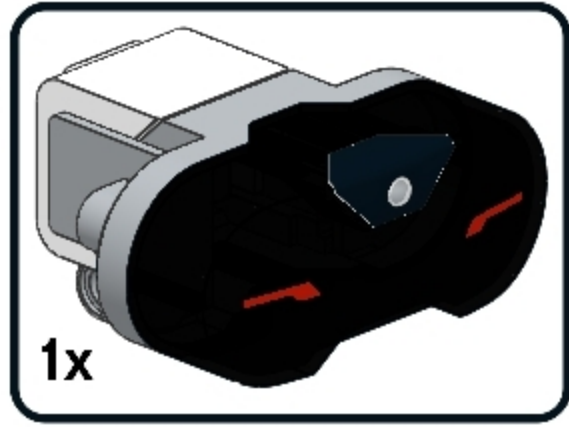
1



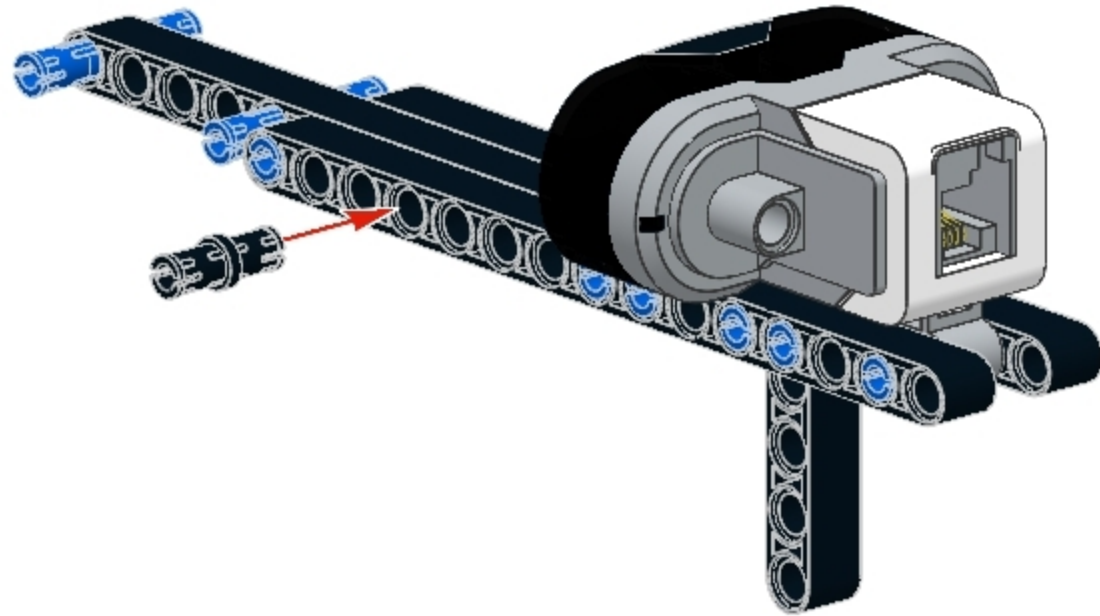
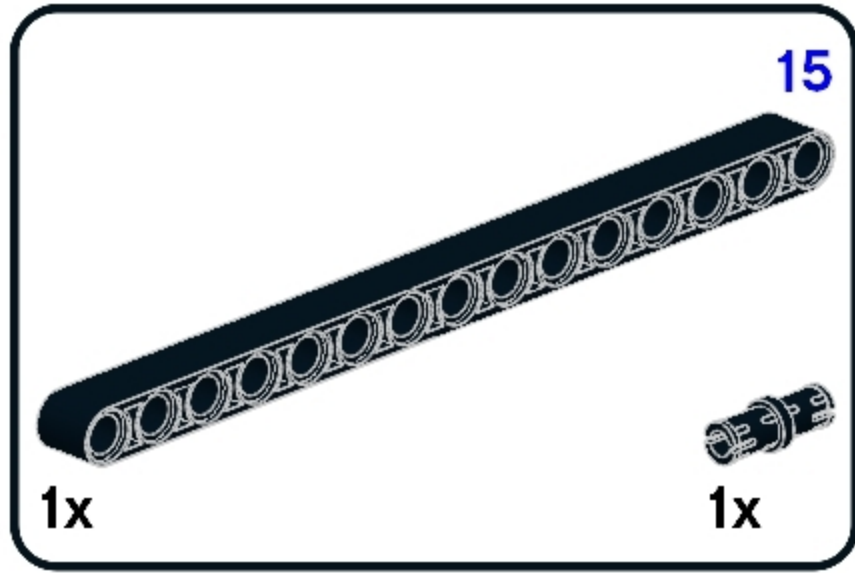
2



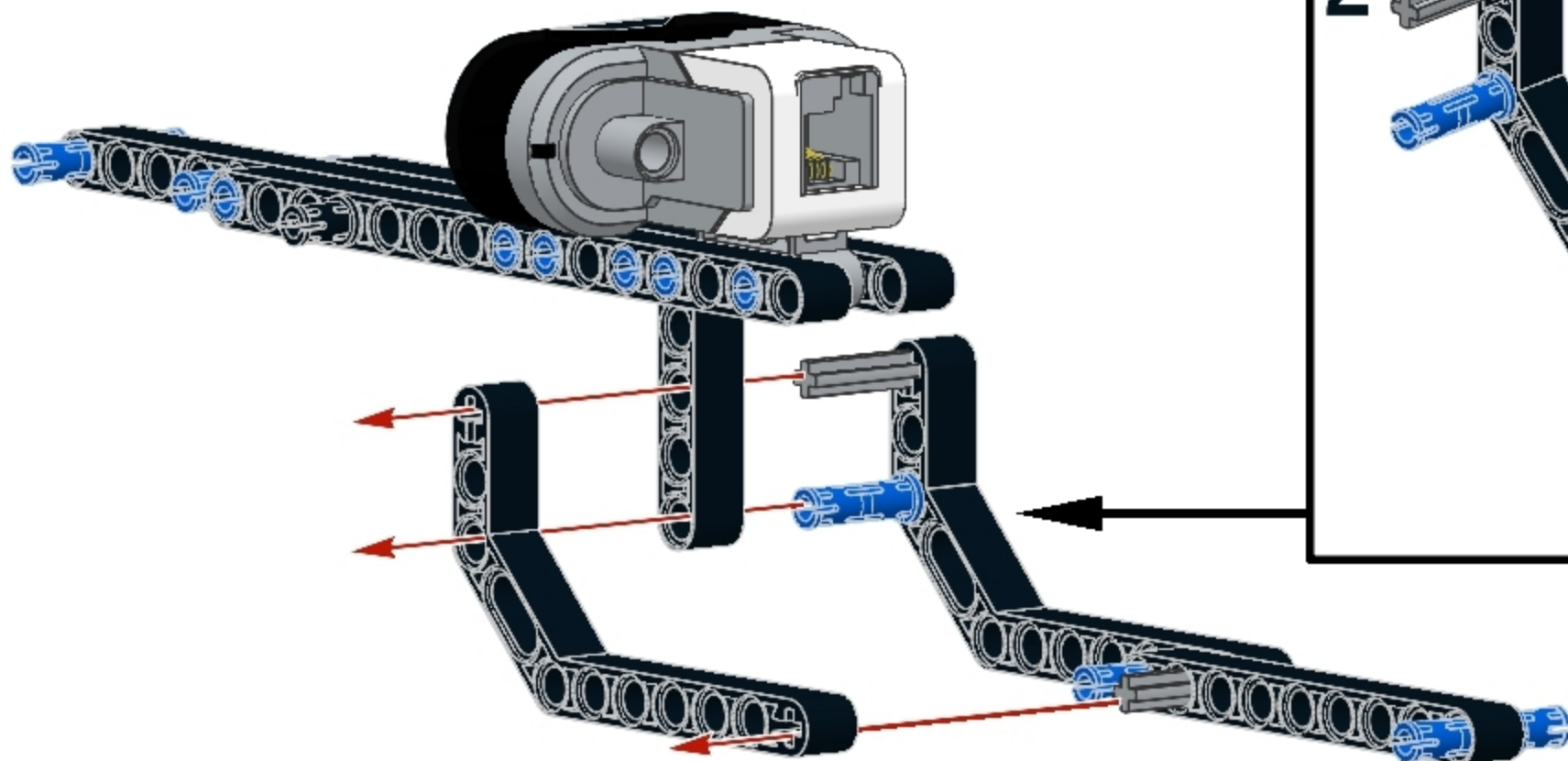
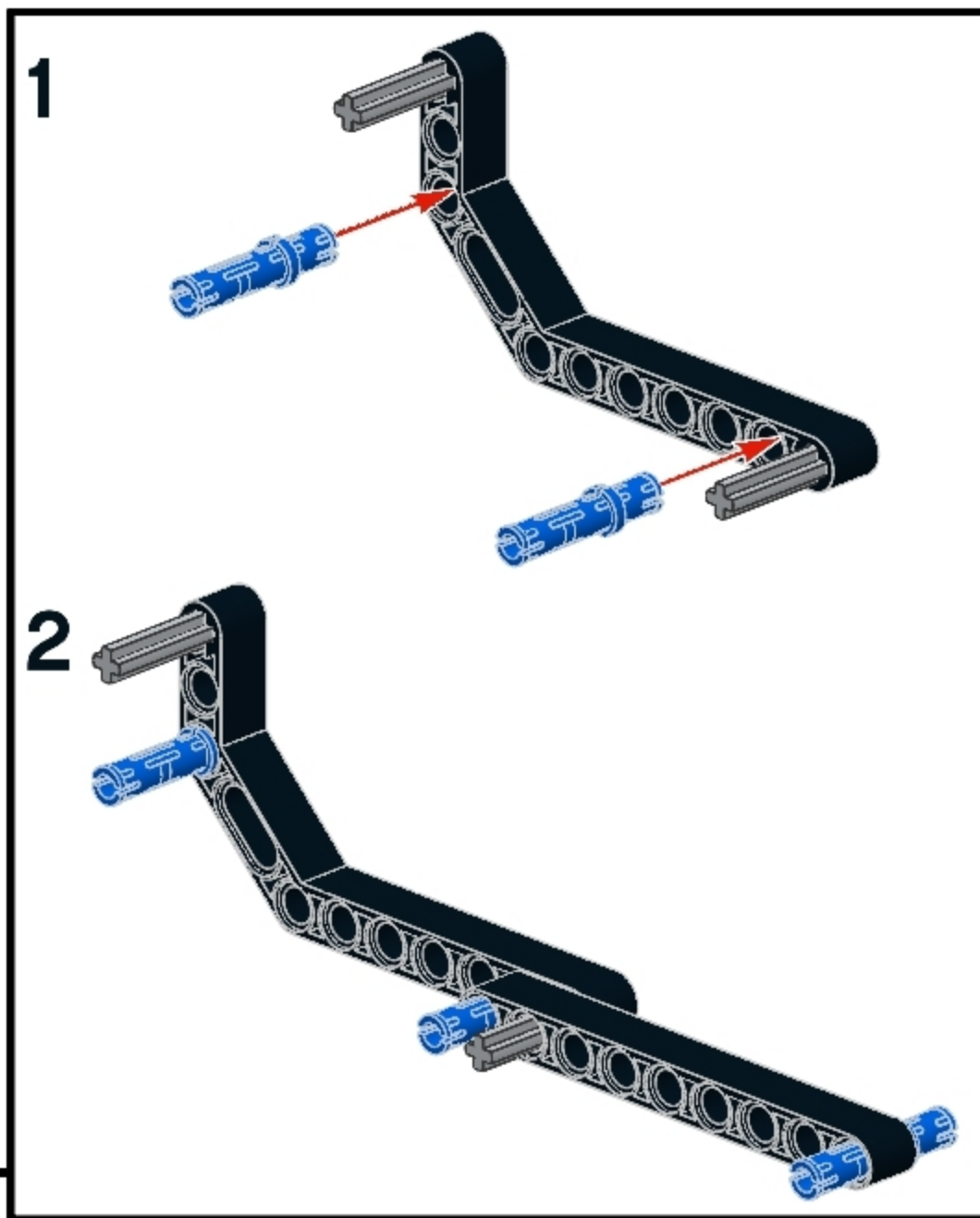
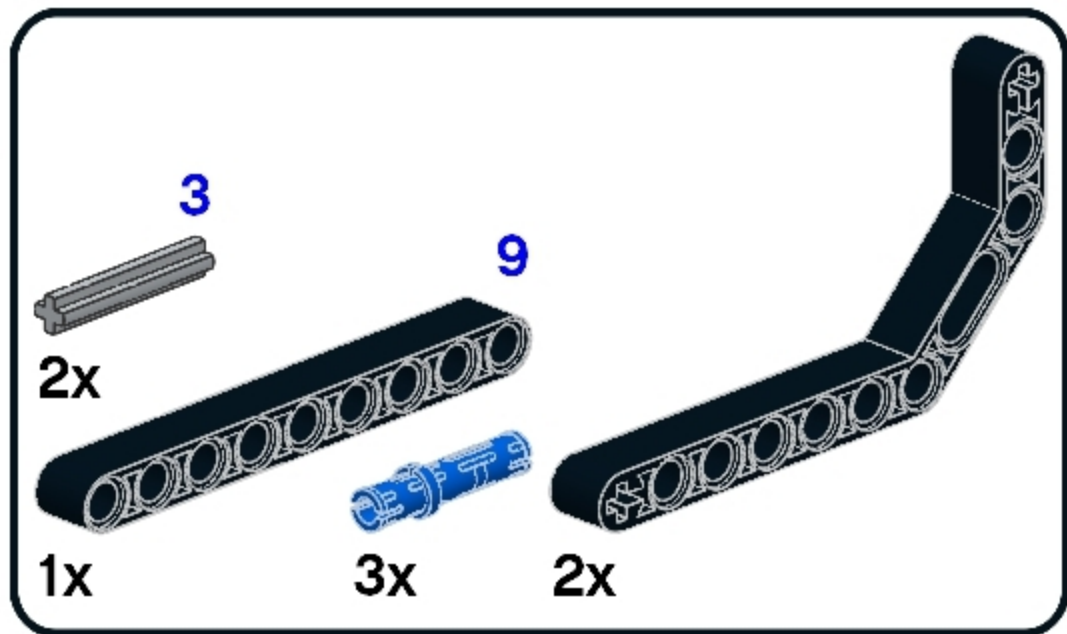
3



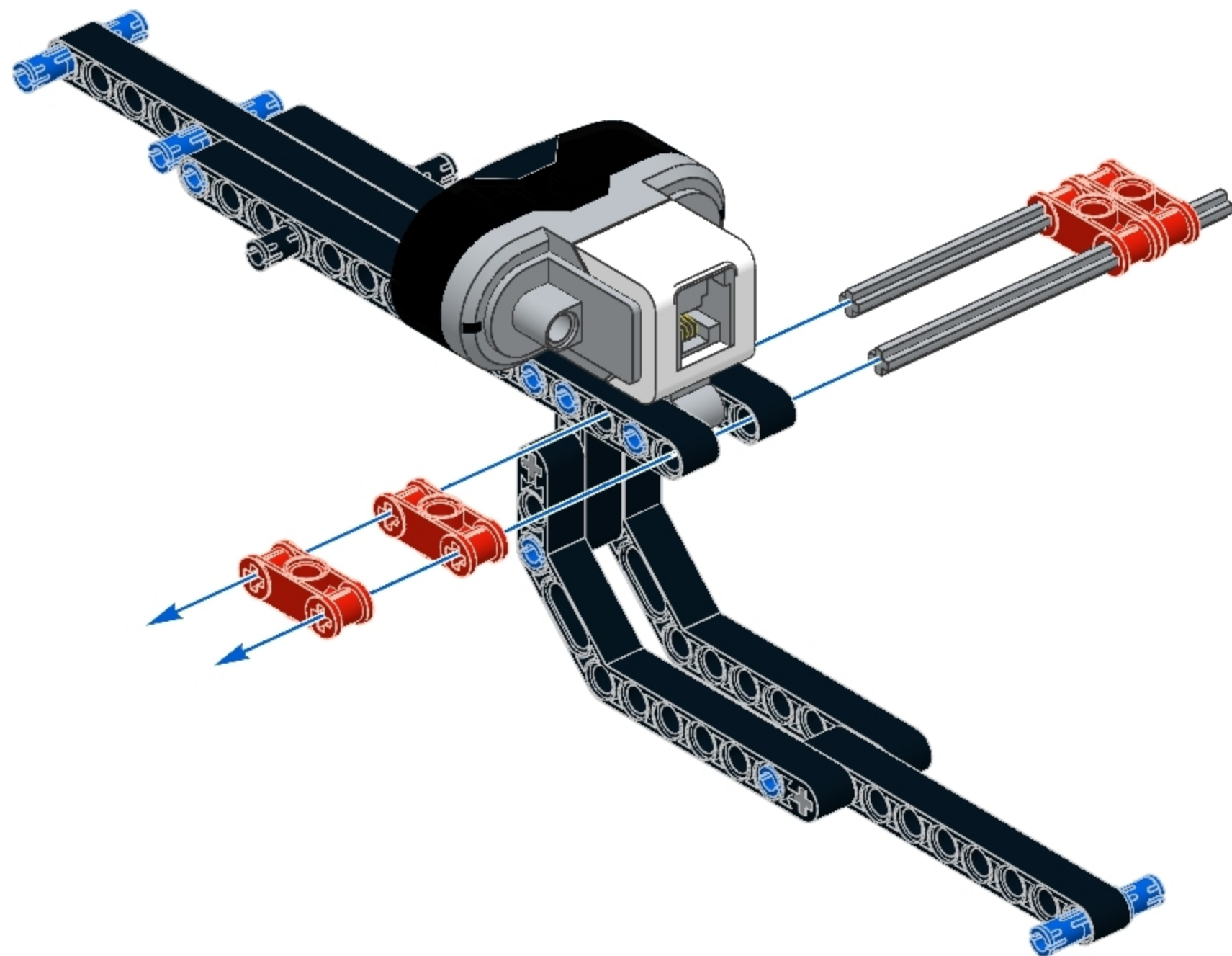
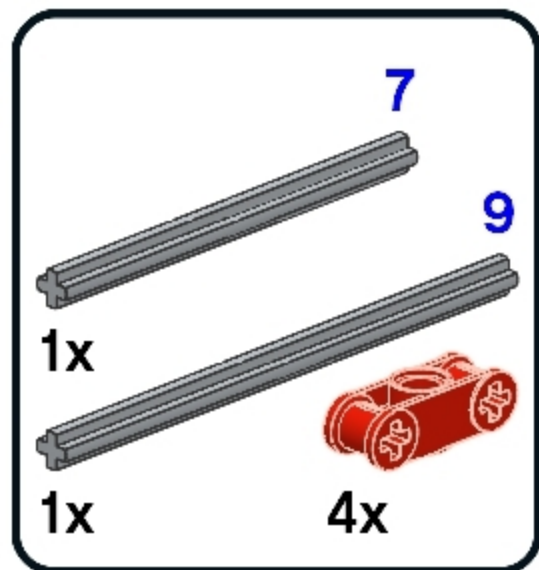
4



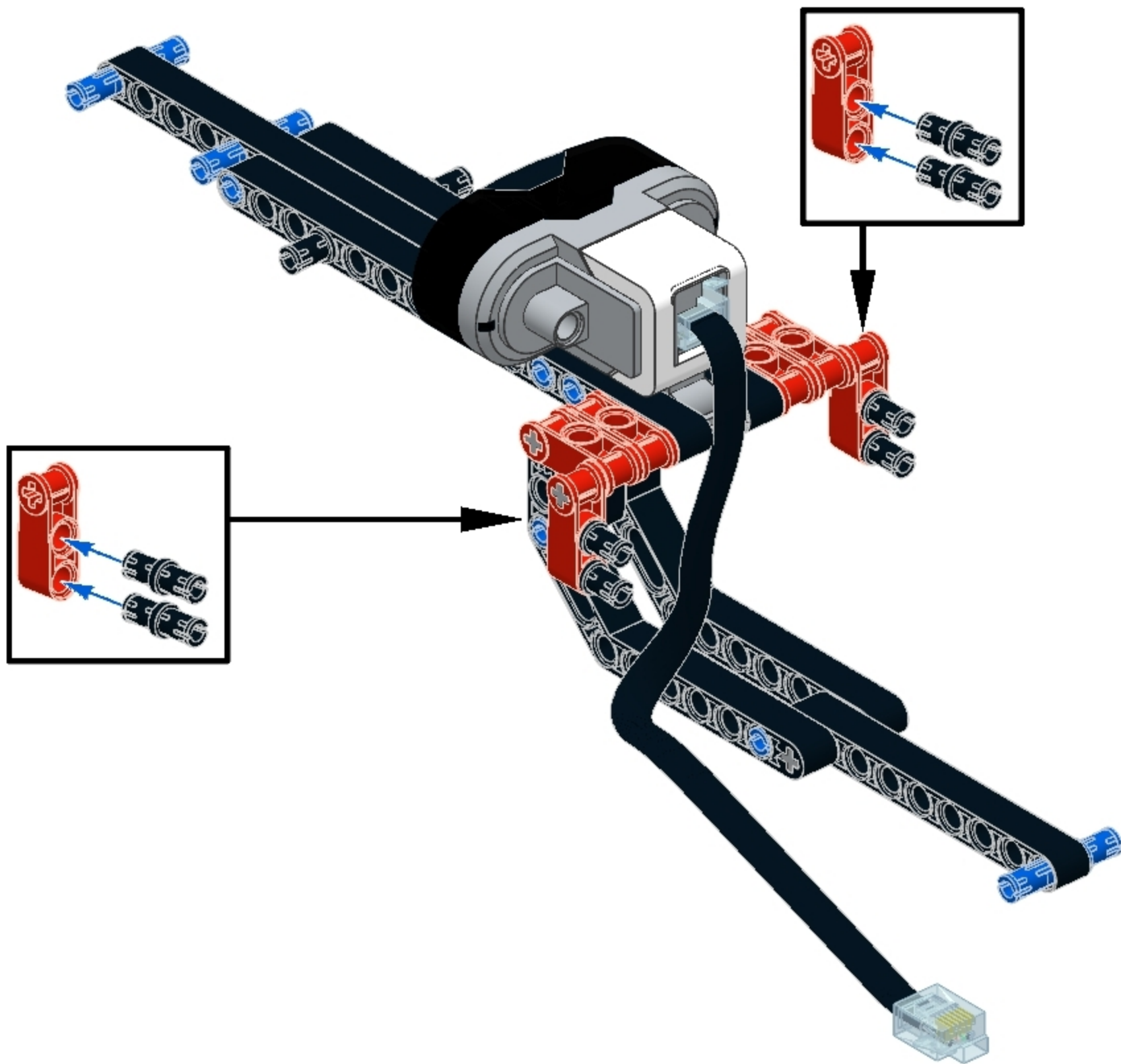
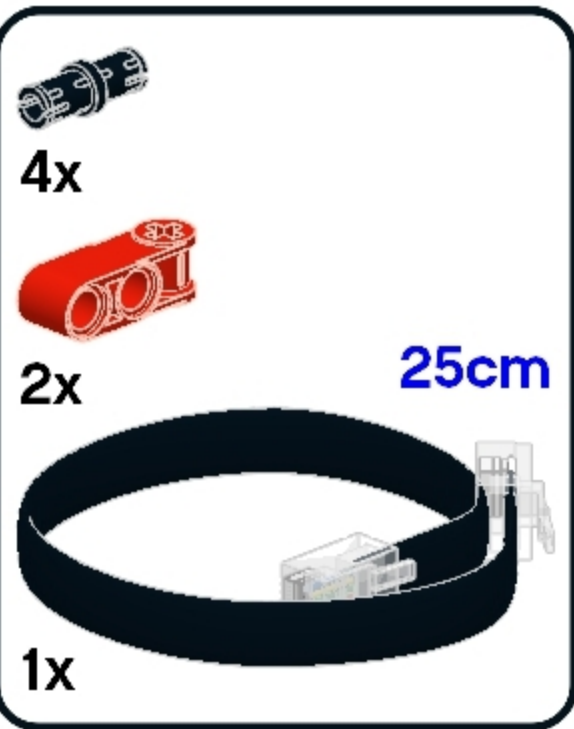
5



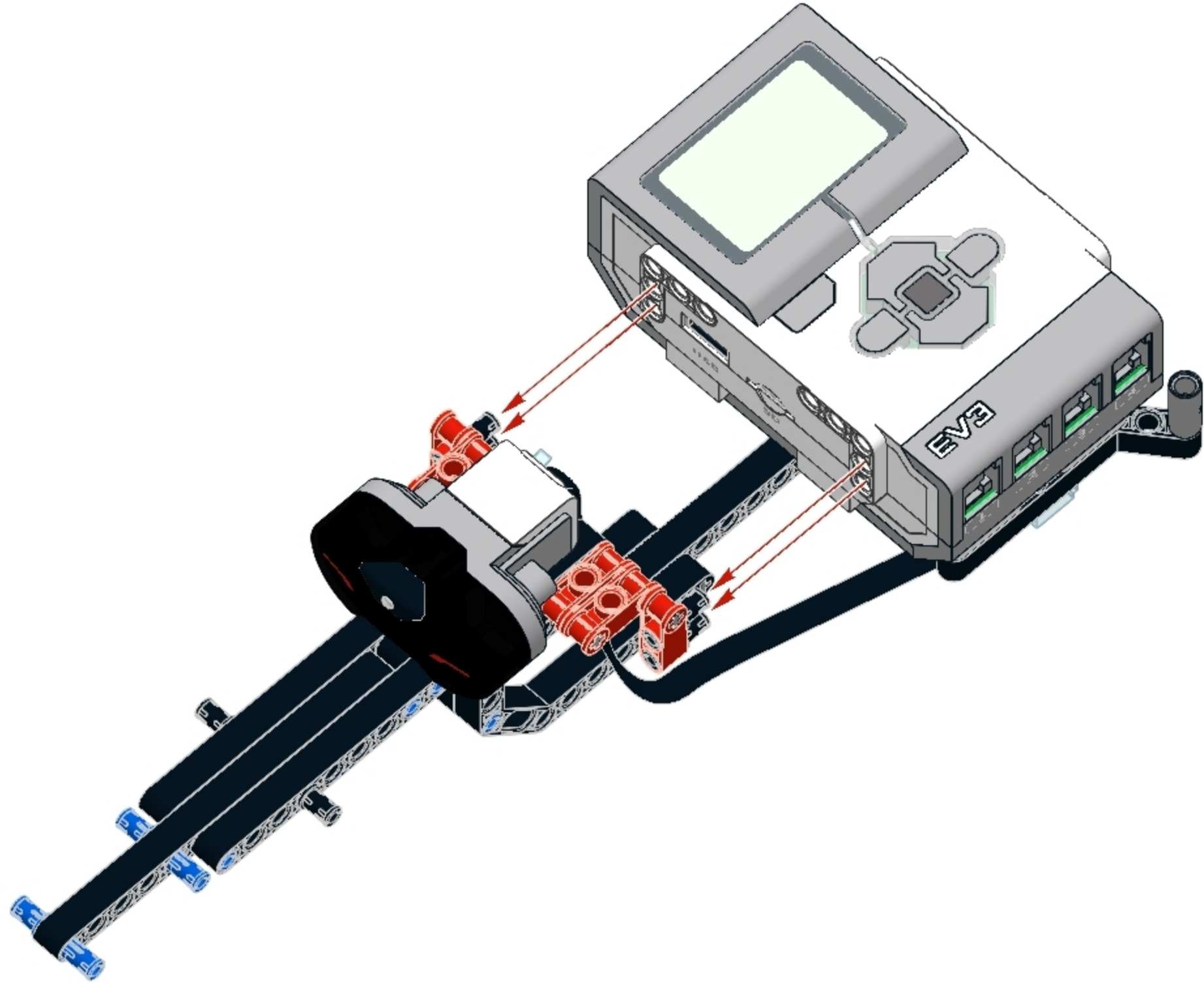
6



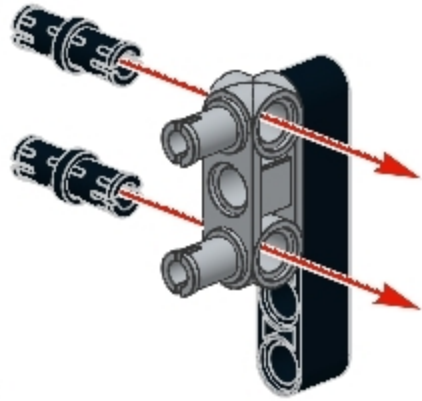
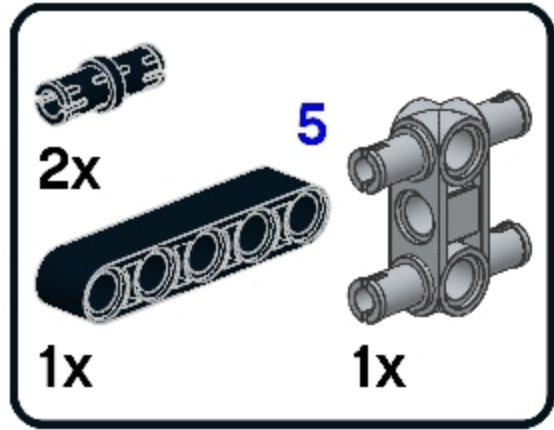
7



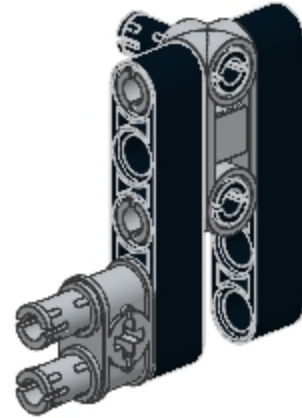
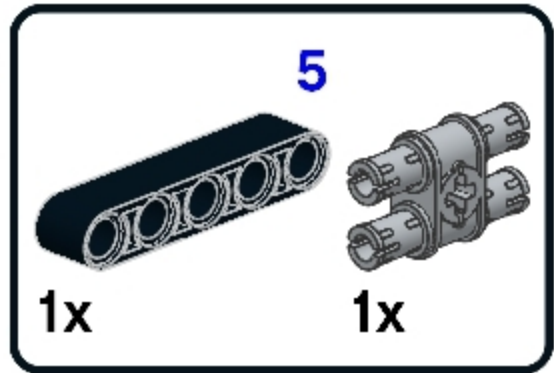
8



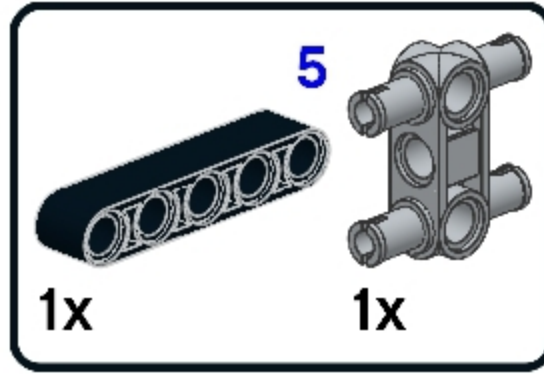
1



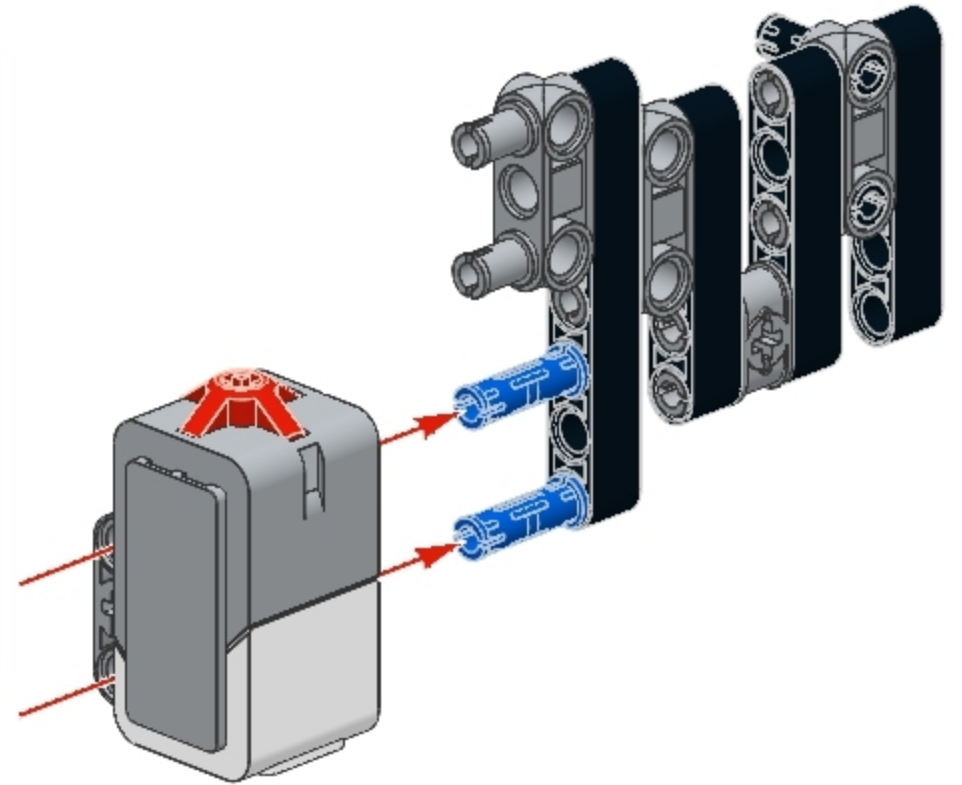
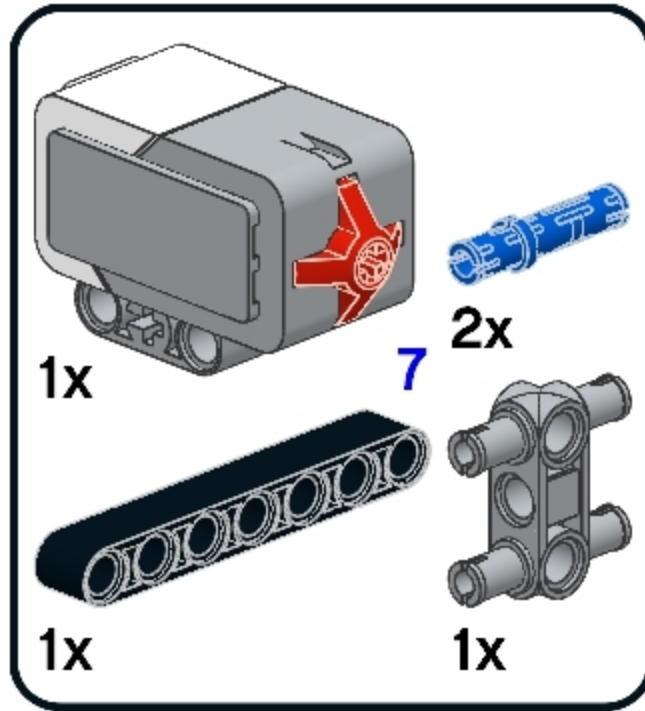
2



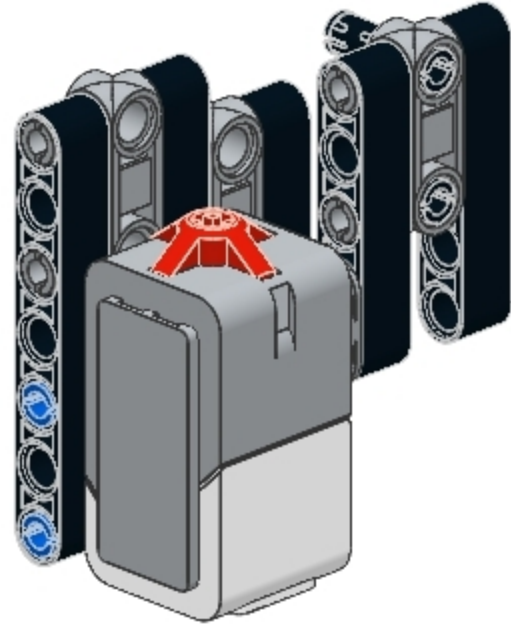
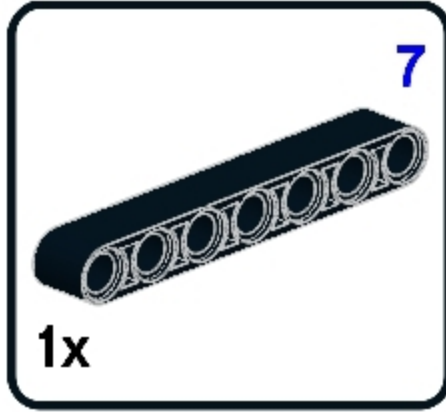
3



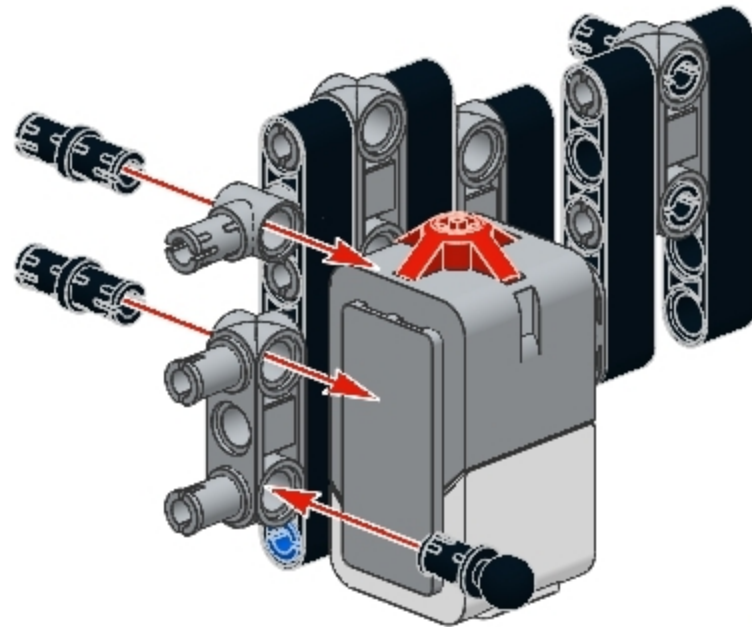
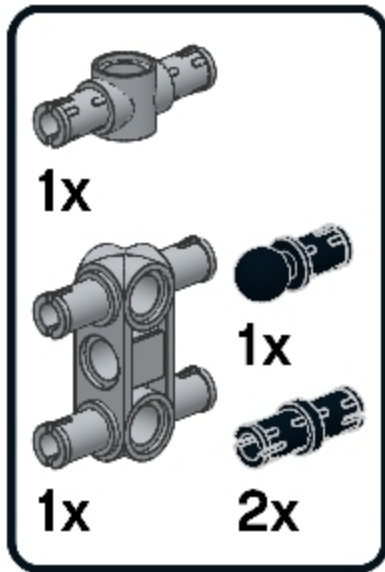
4



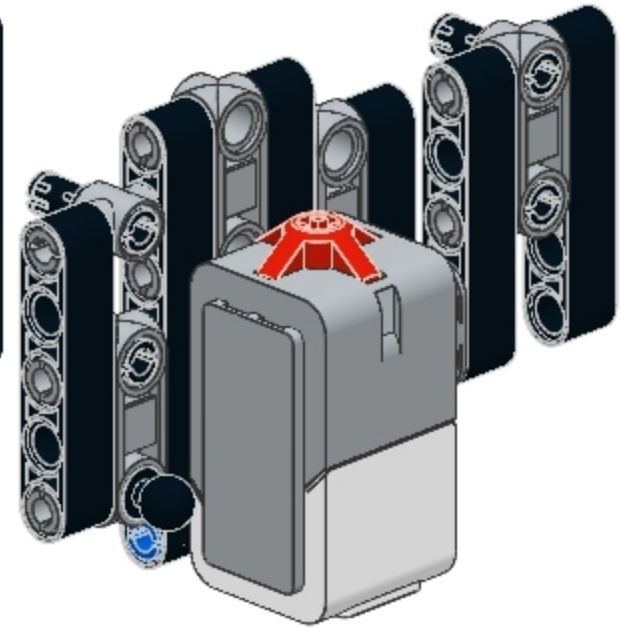
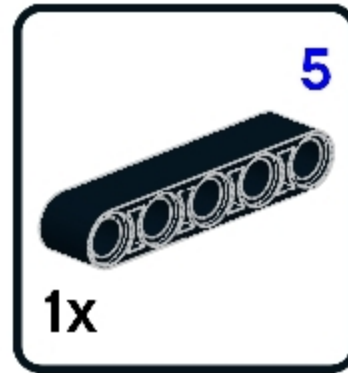
5



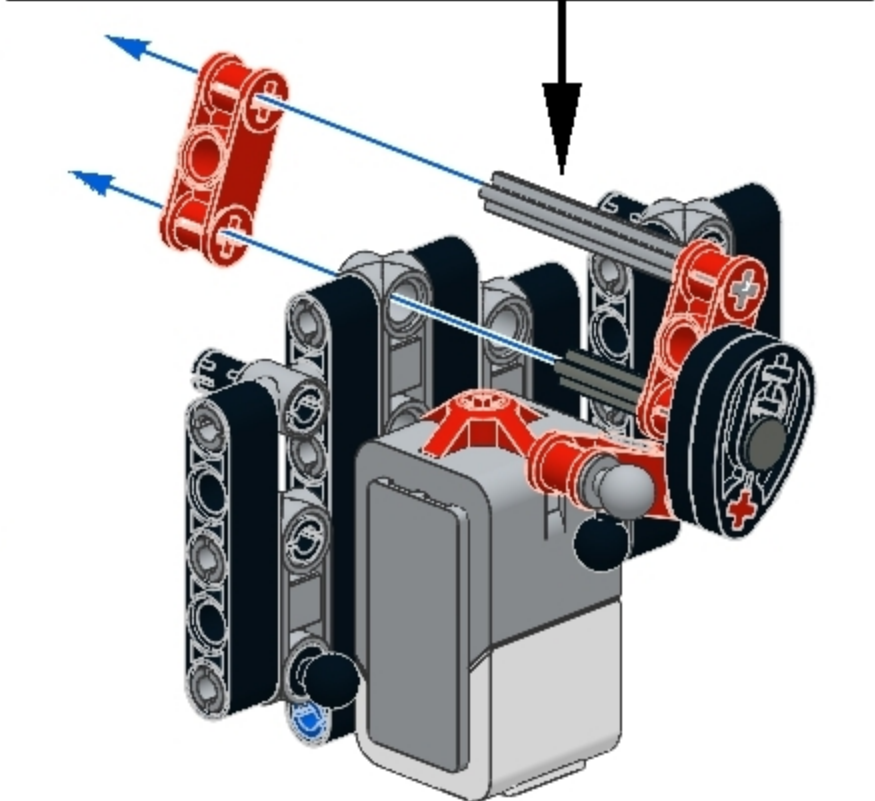
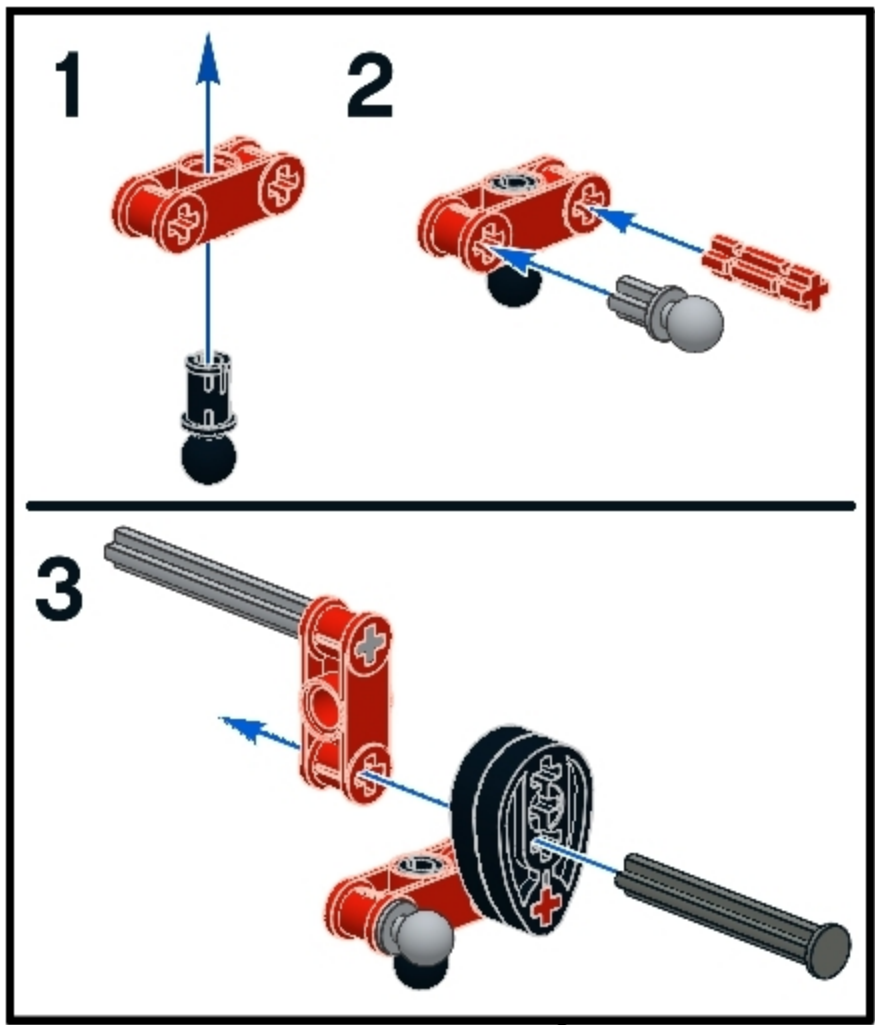
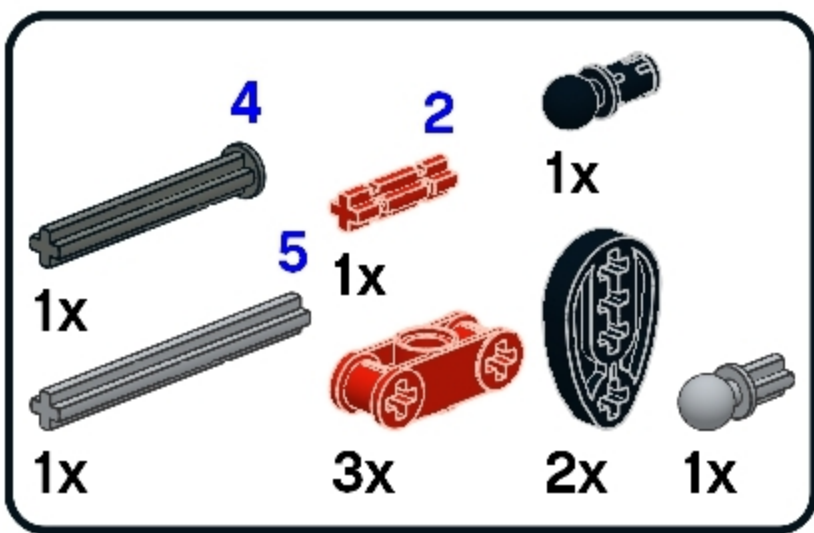
6



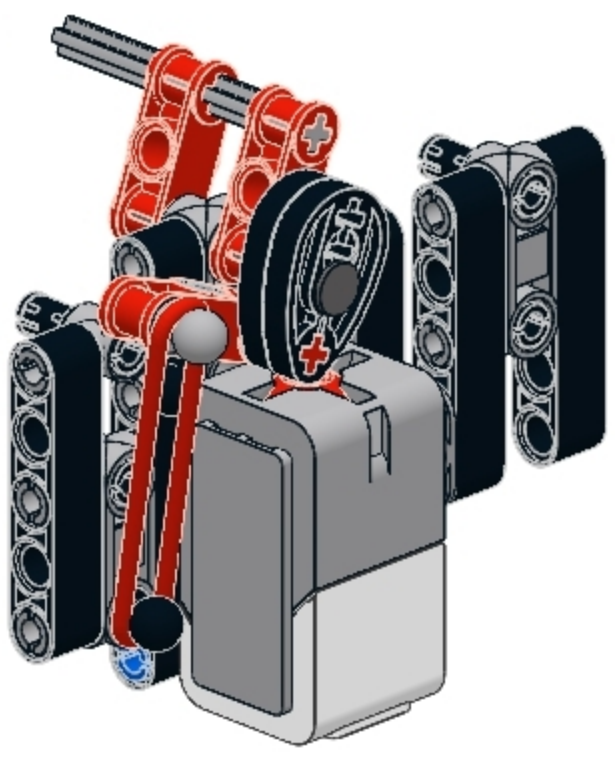
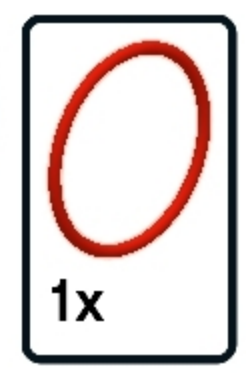
7



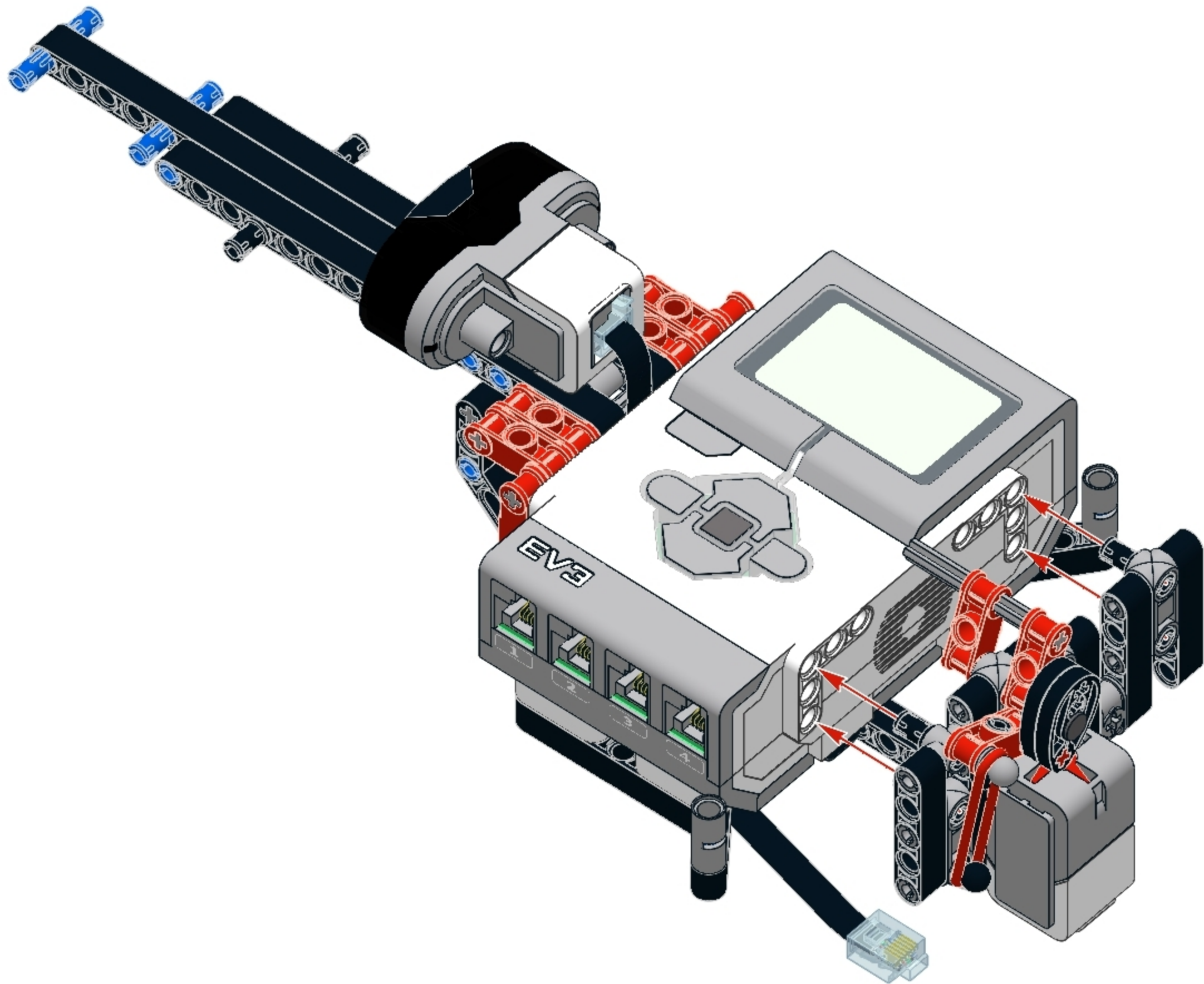
8



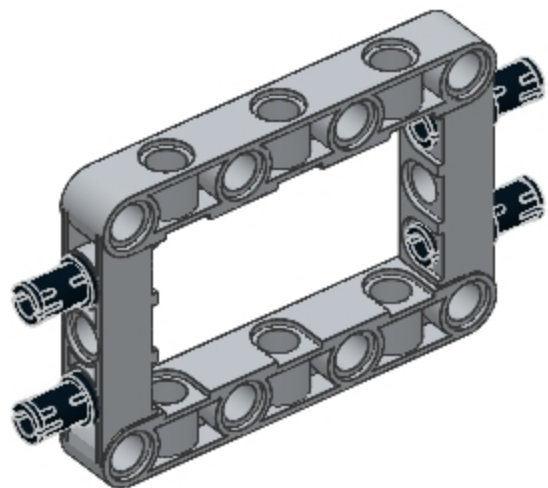
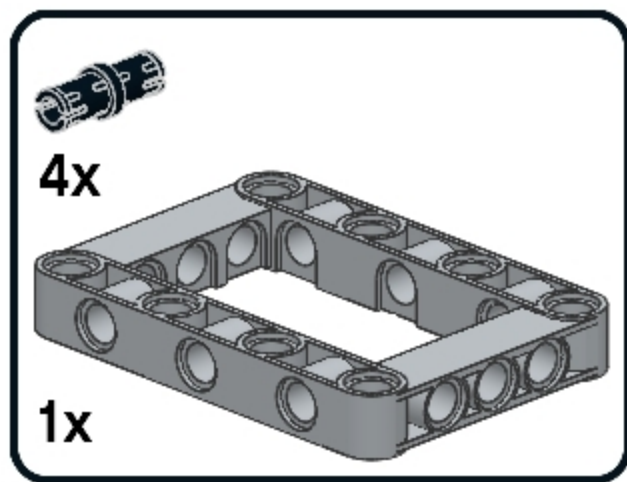
9



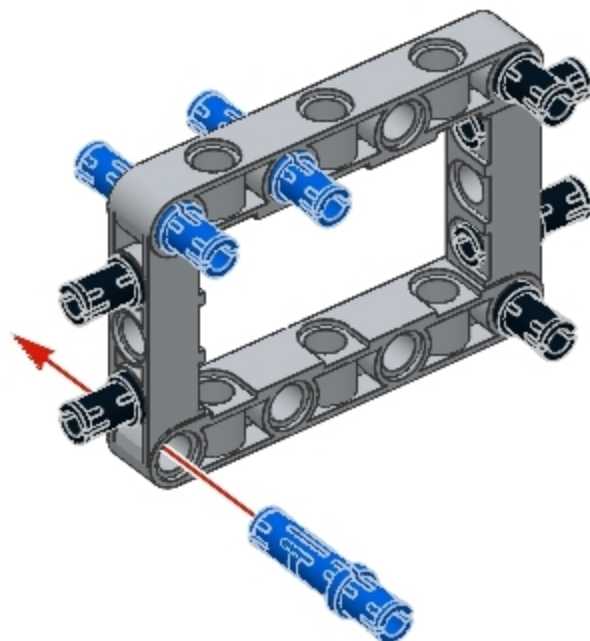
9



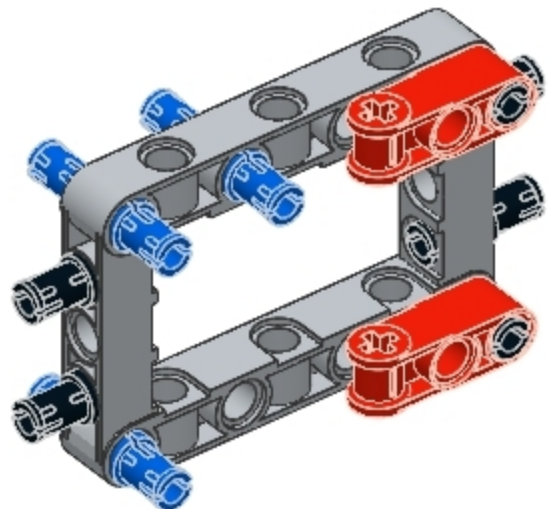
1



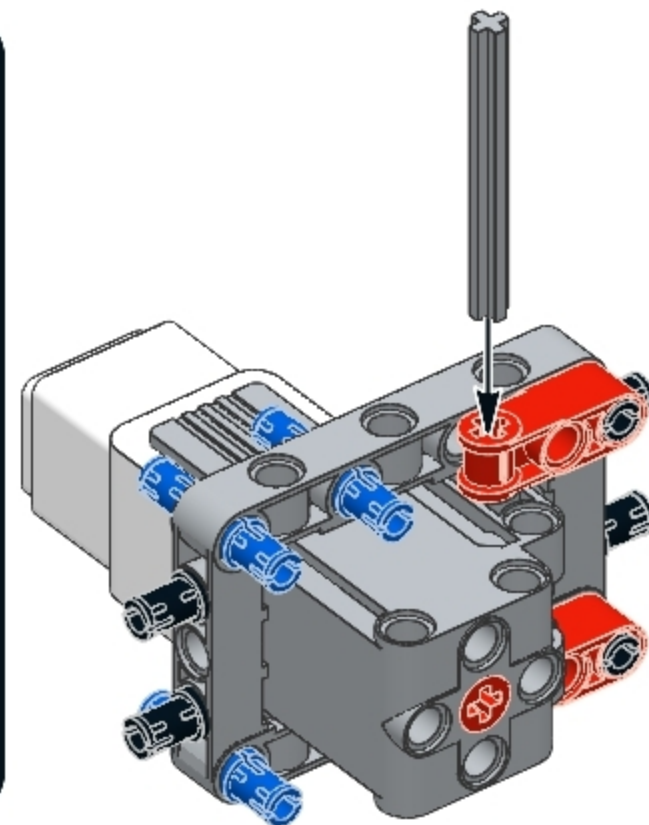
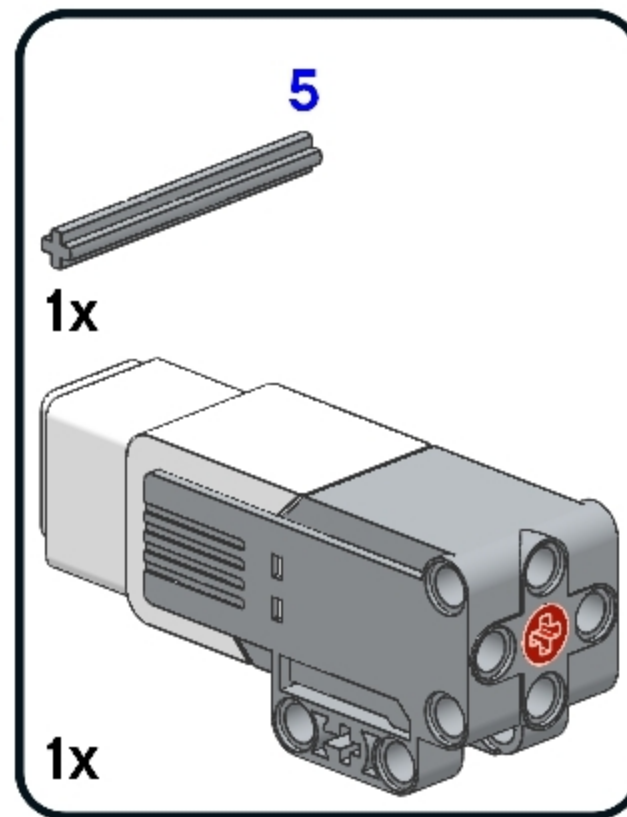
2



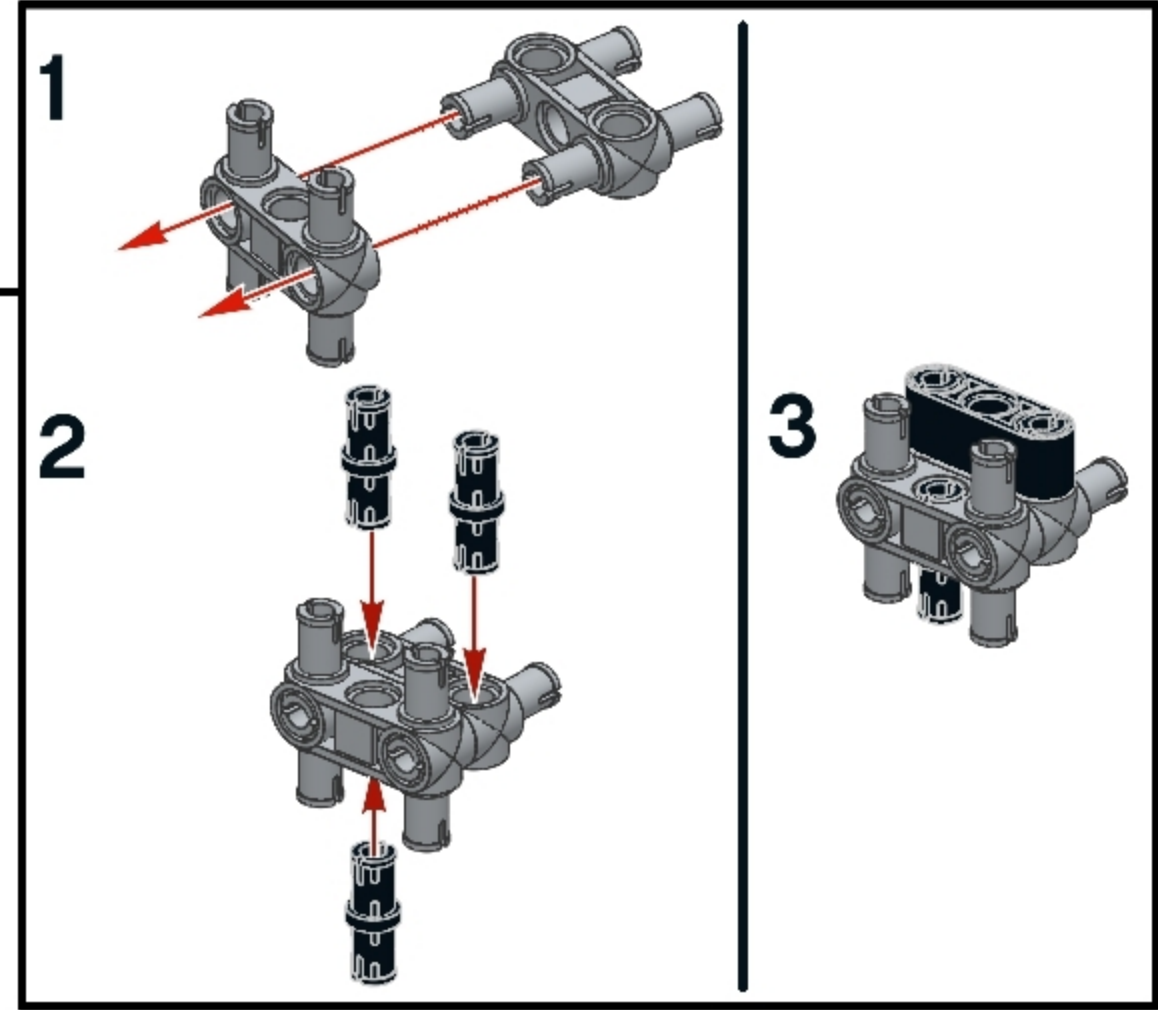
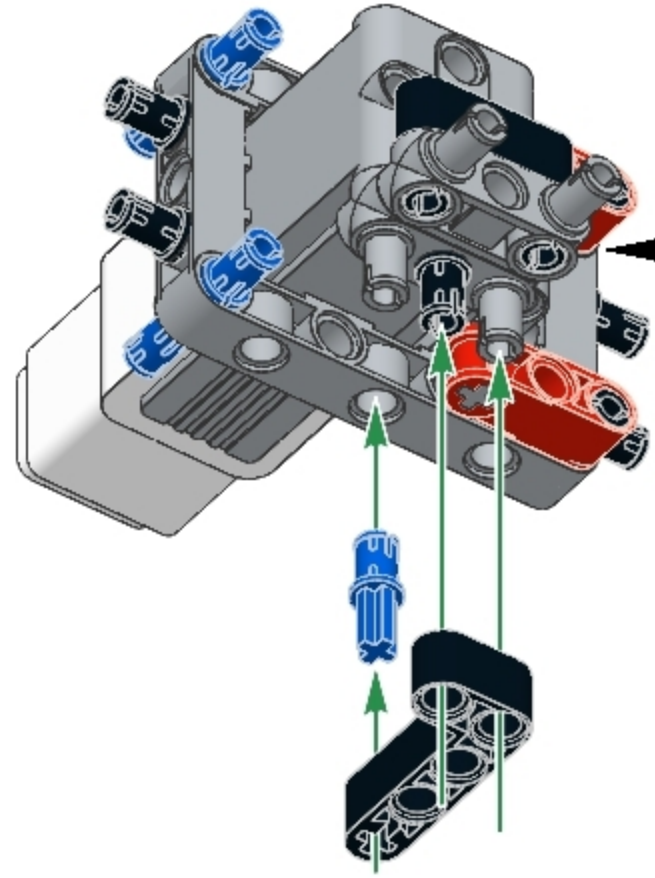
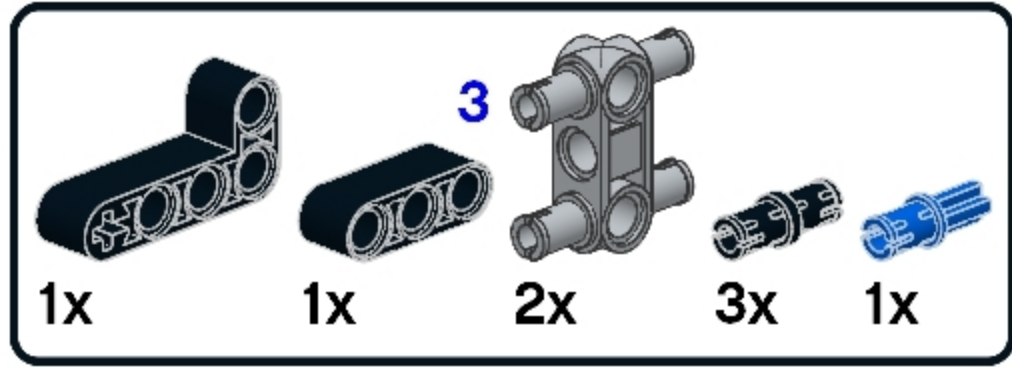
3



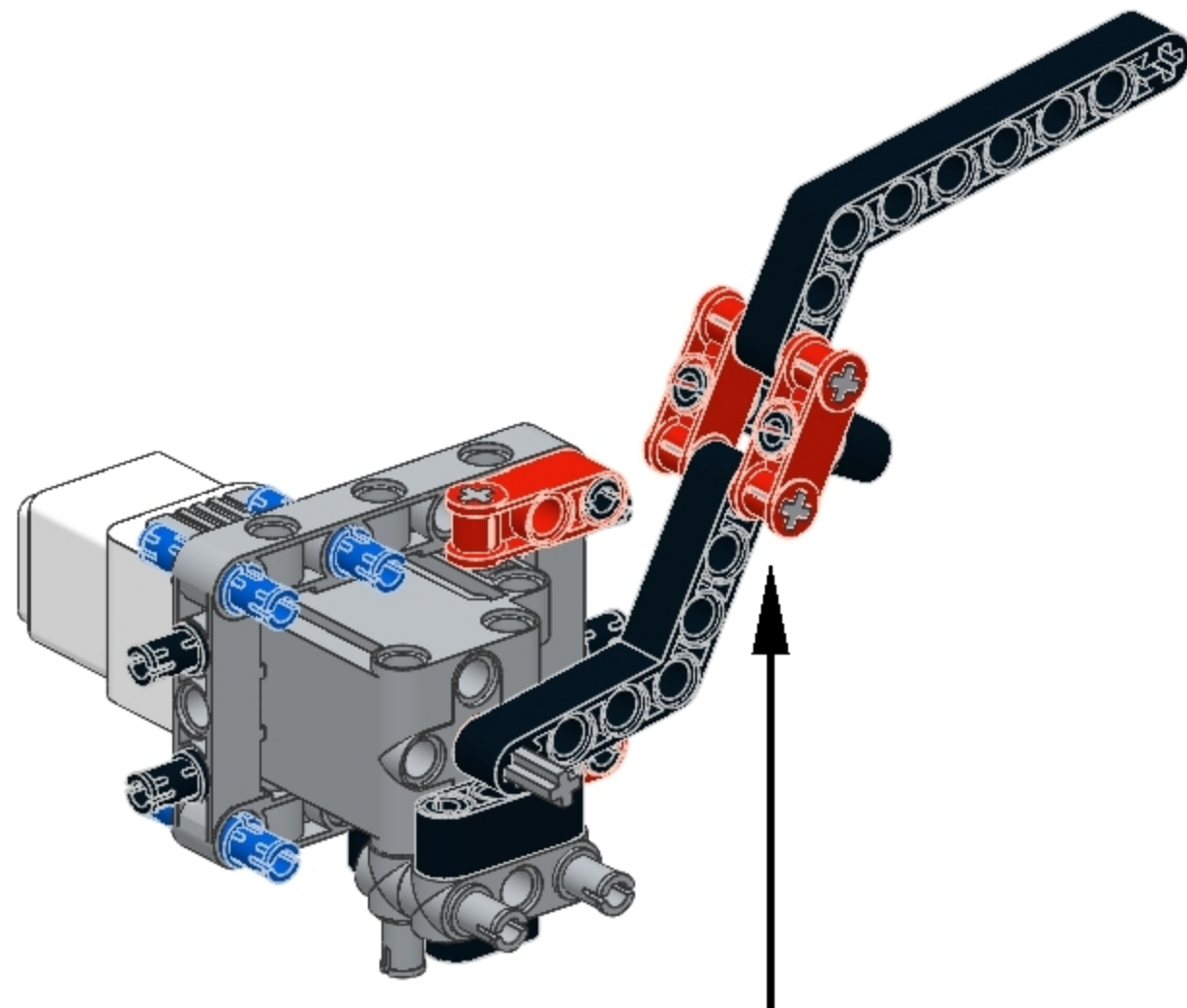
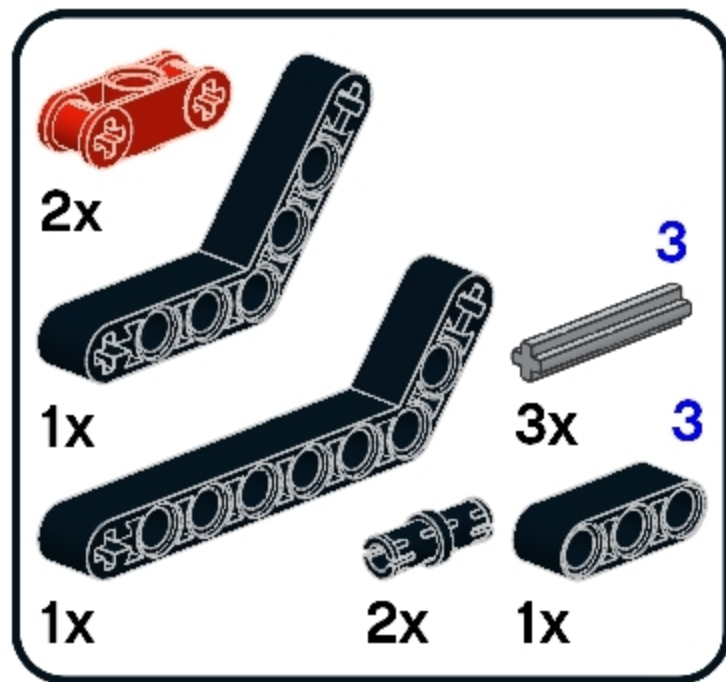
4



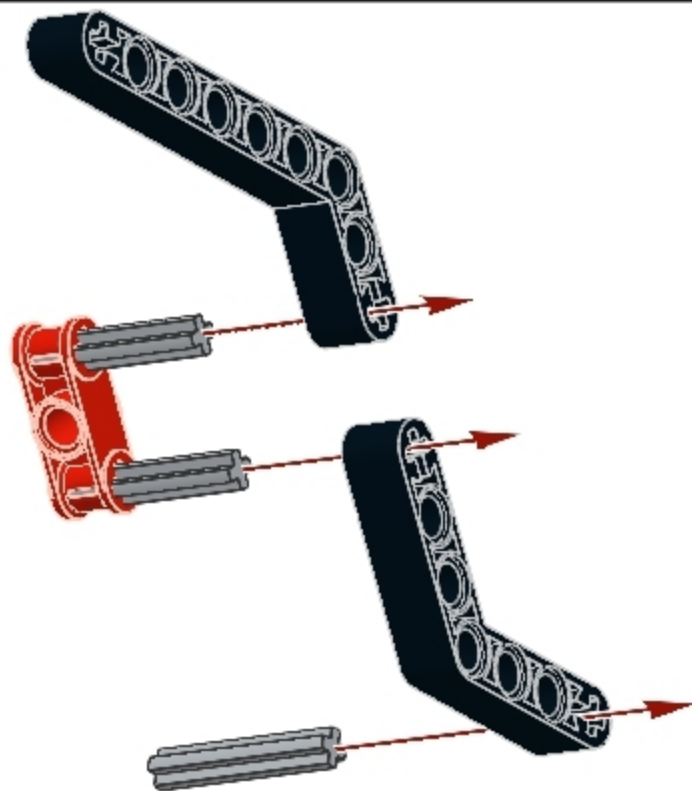
5



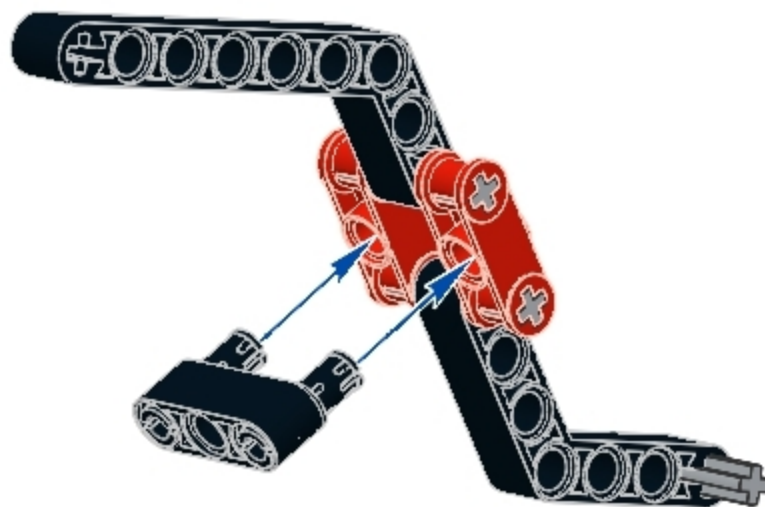
6



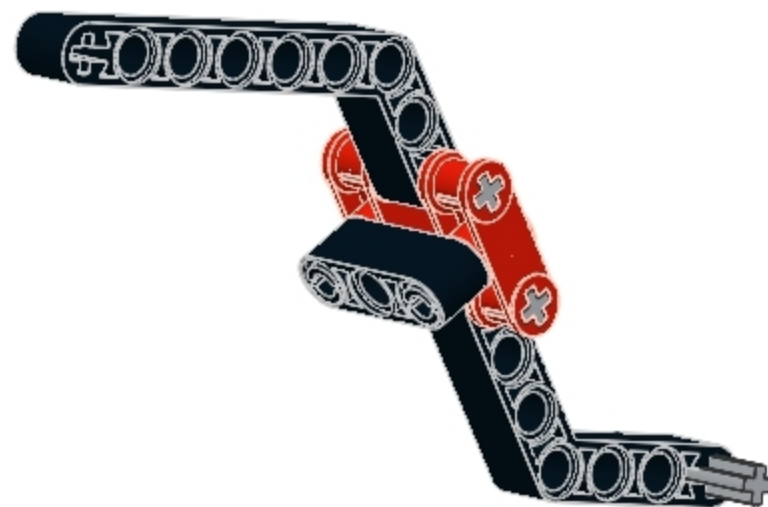
1



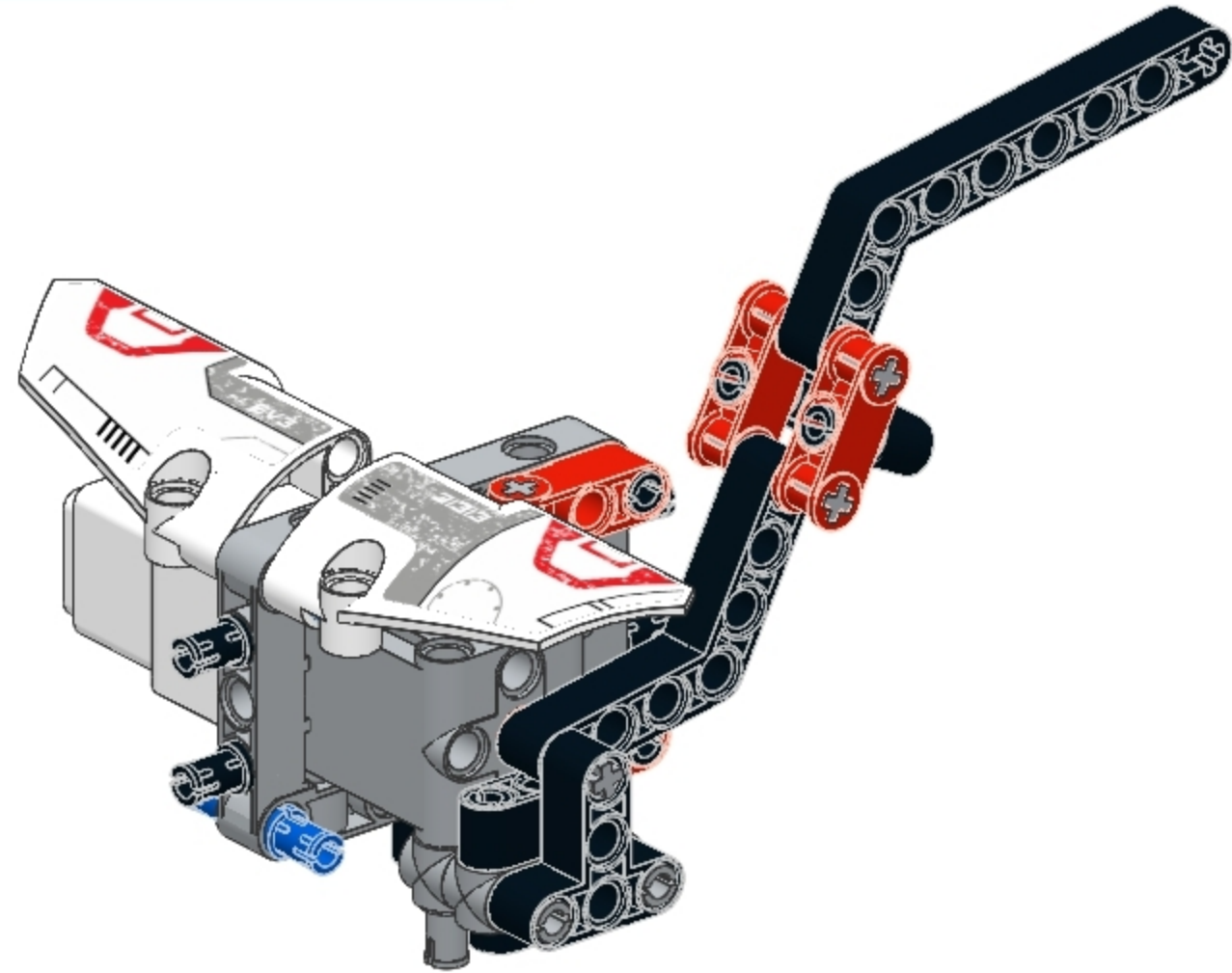
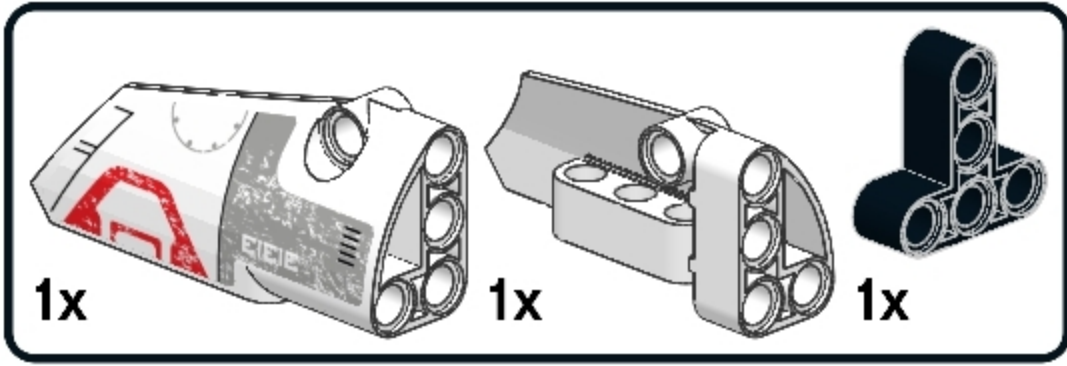
2



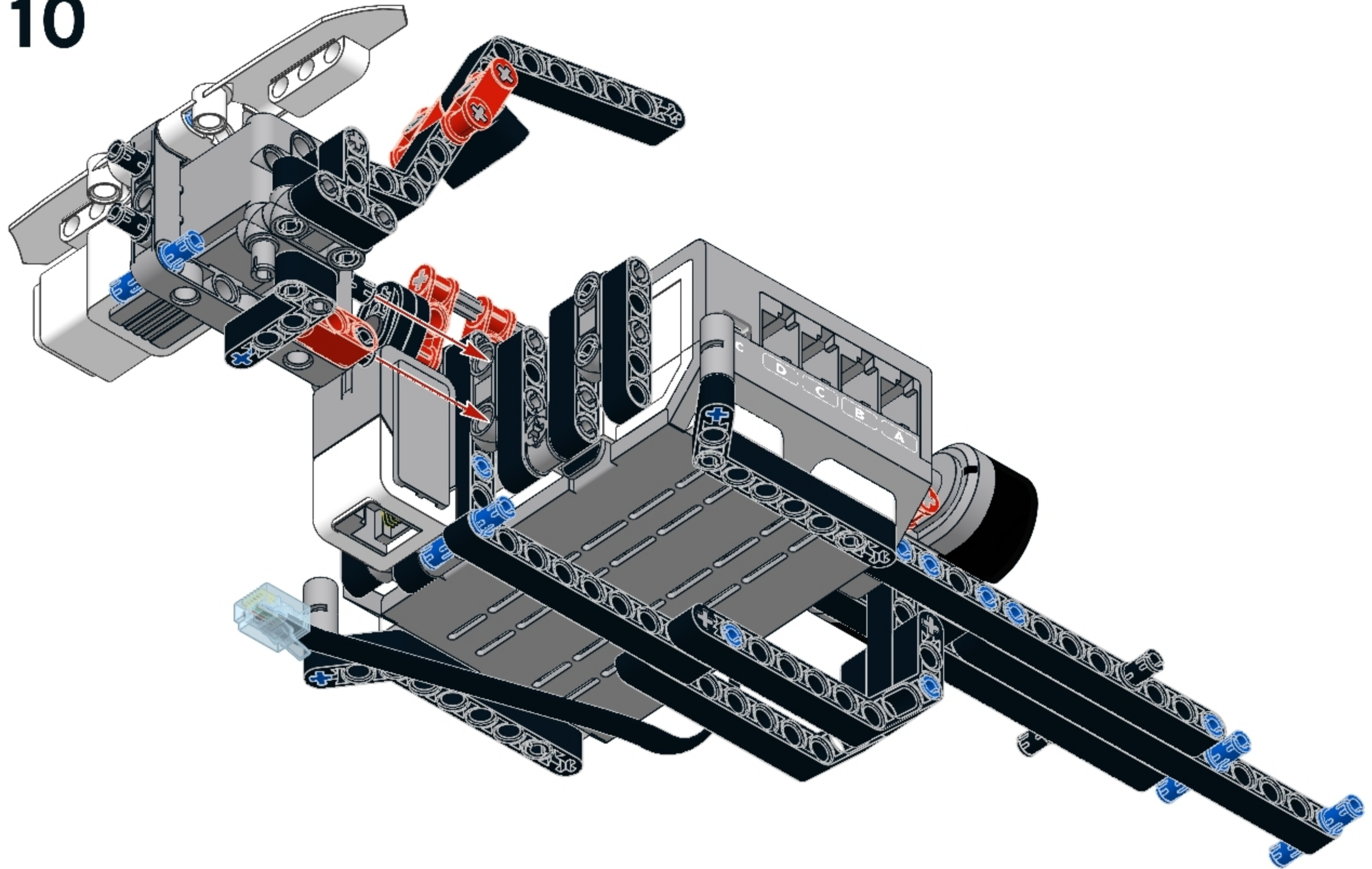
3



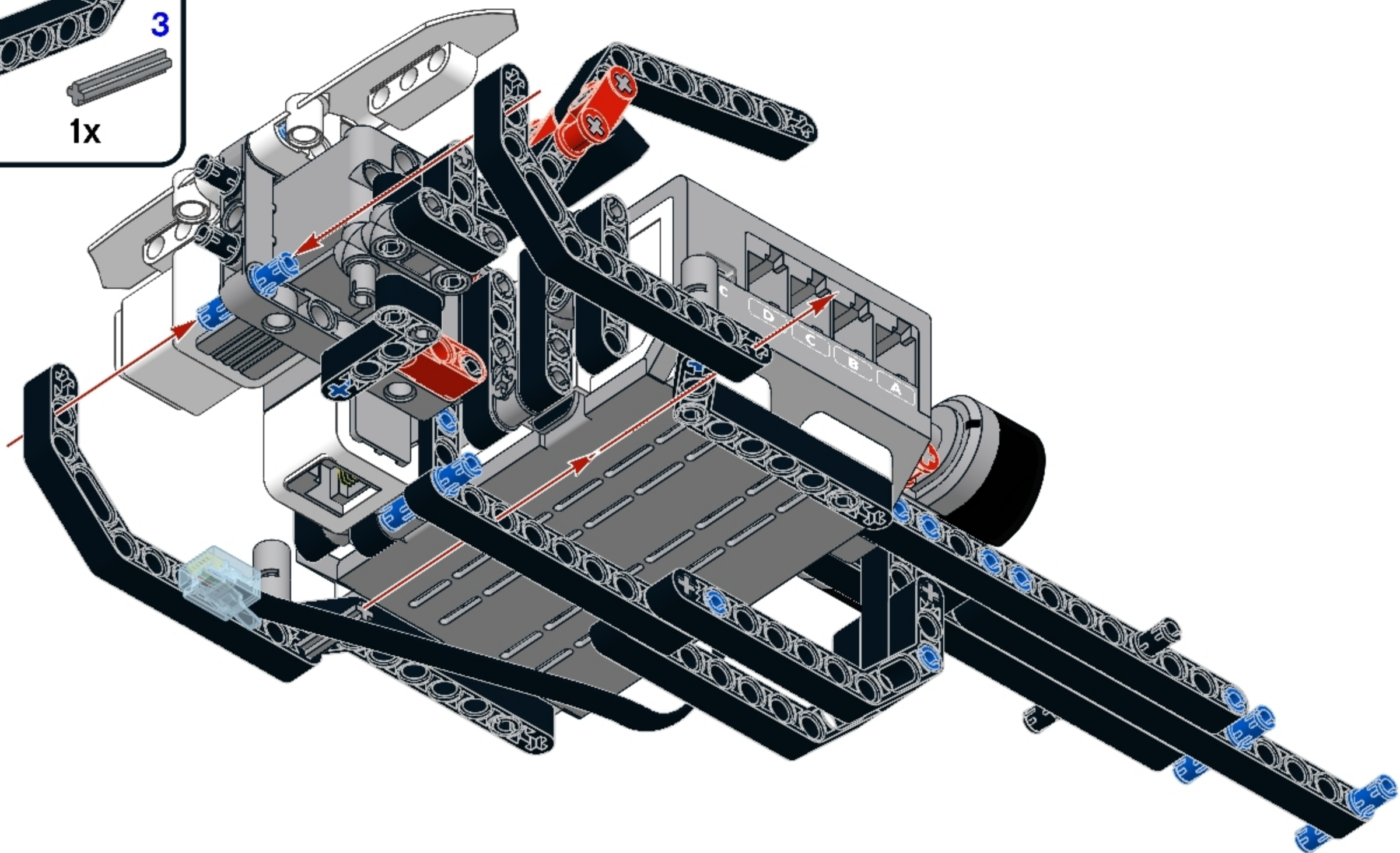
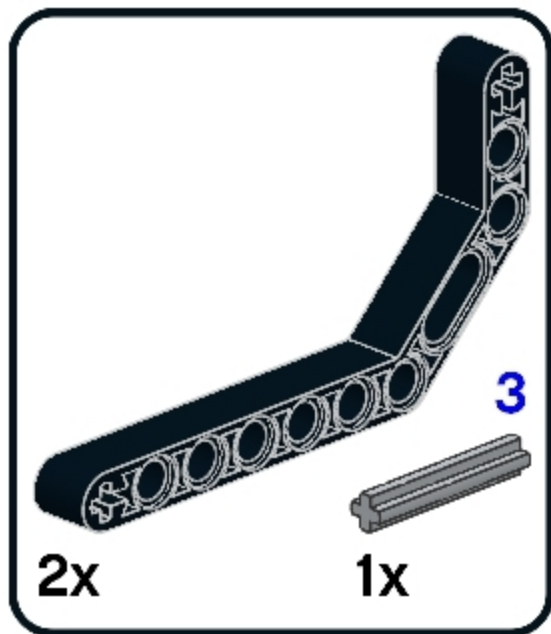
7



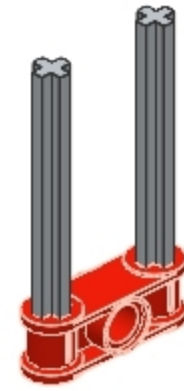
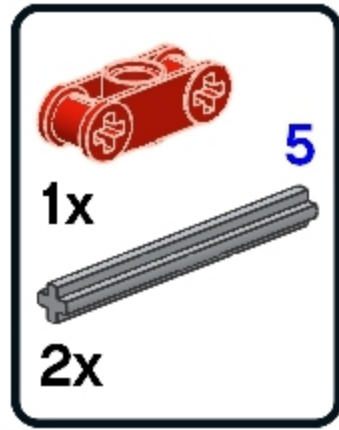
10



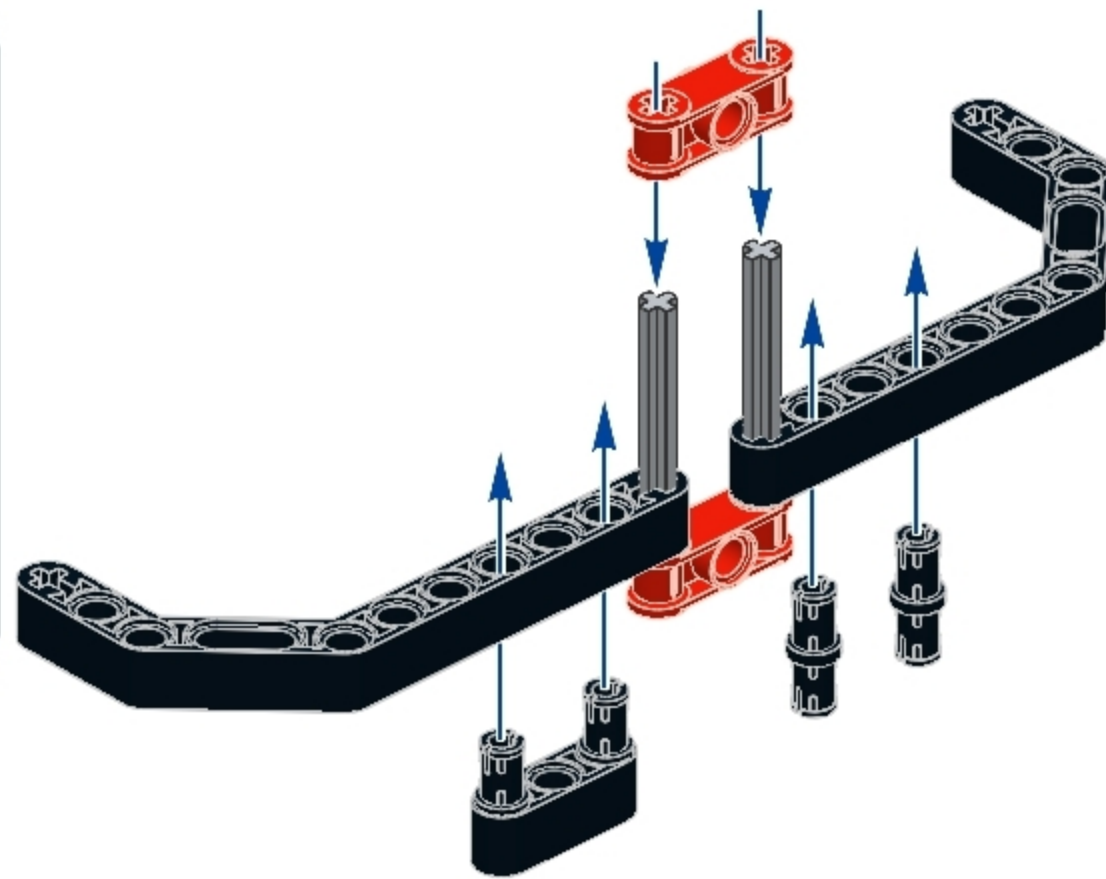
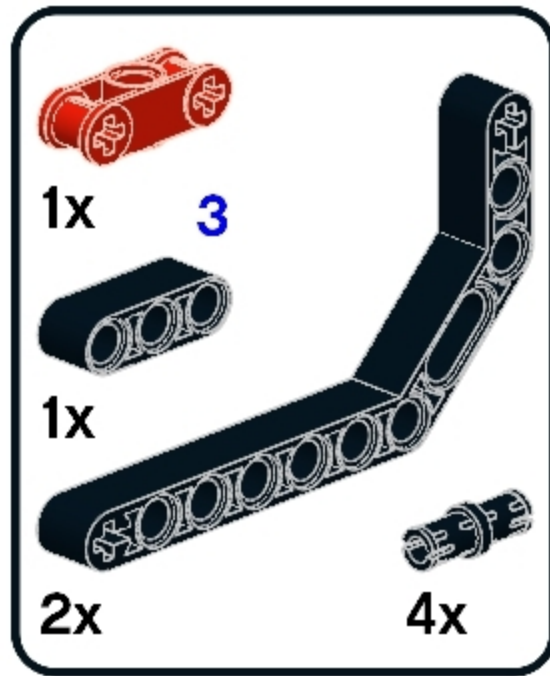
11



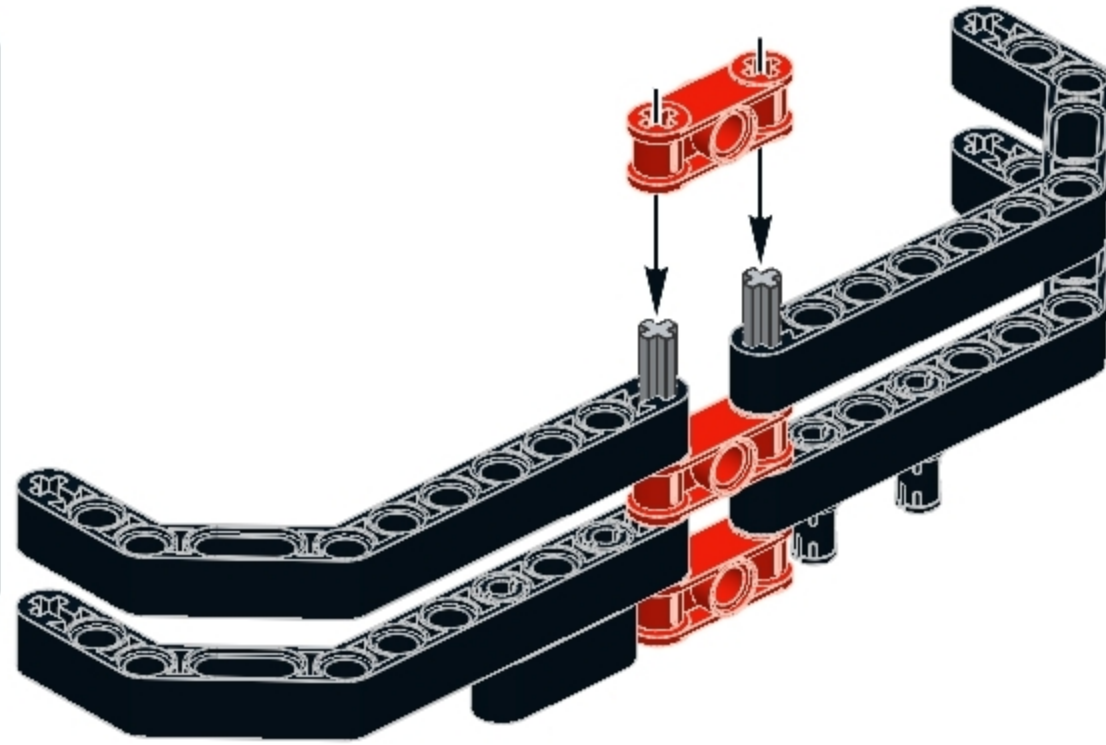
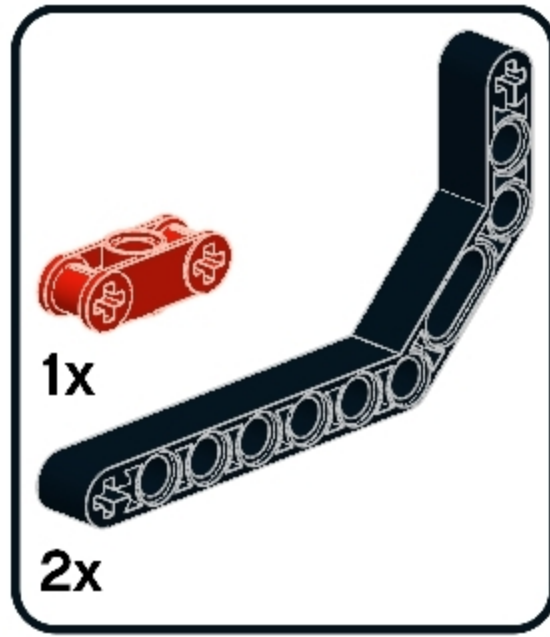
1



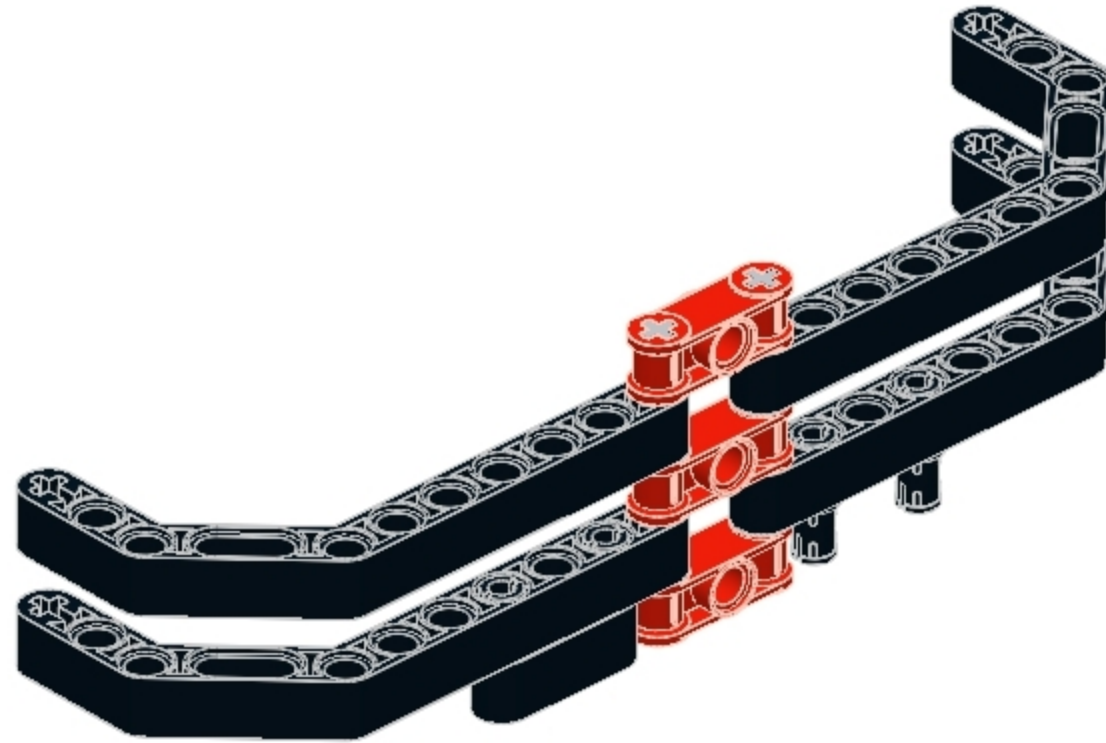
2



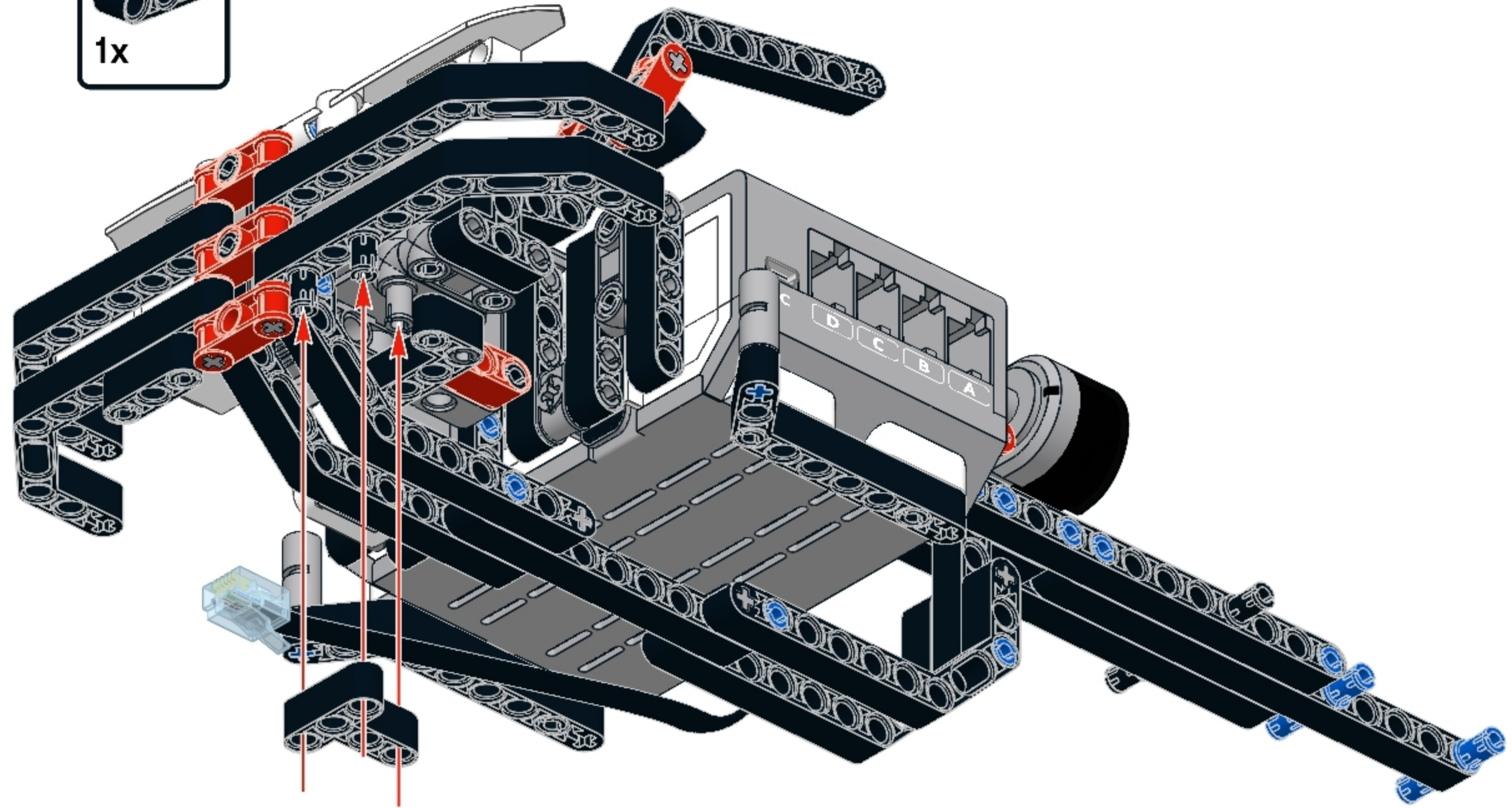
3



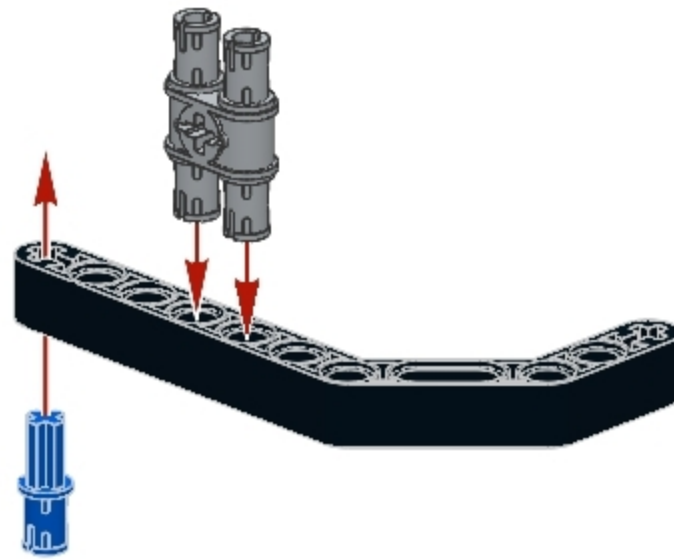
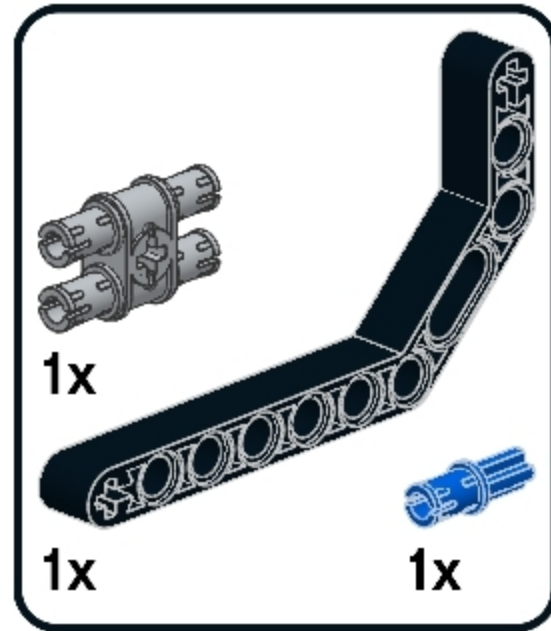
4



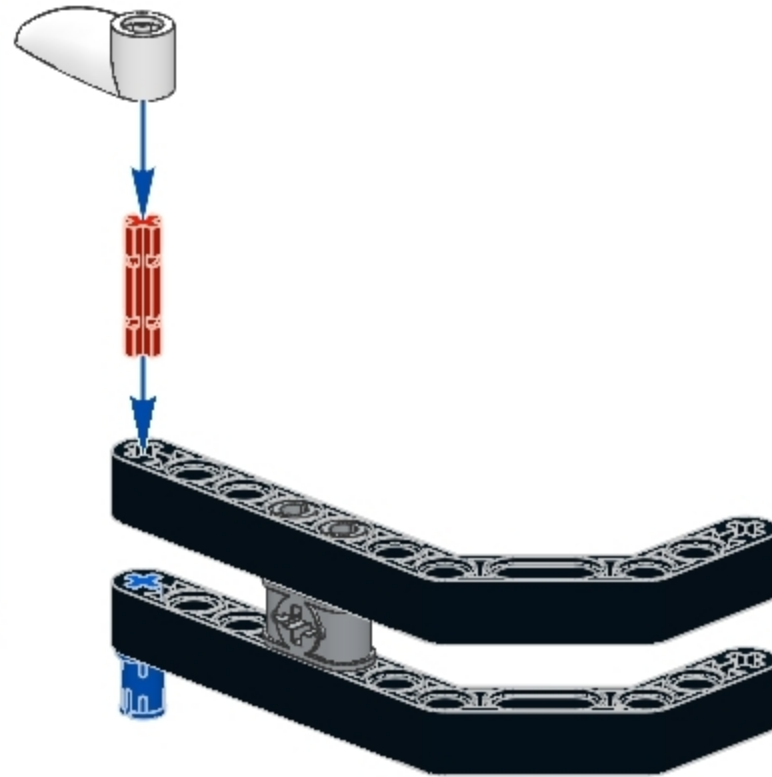
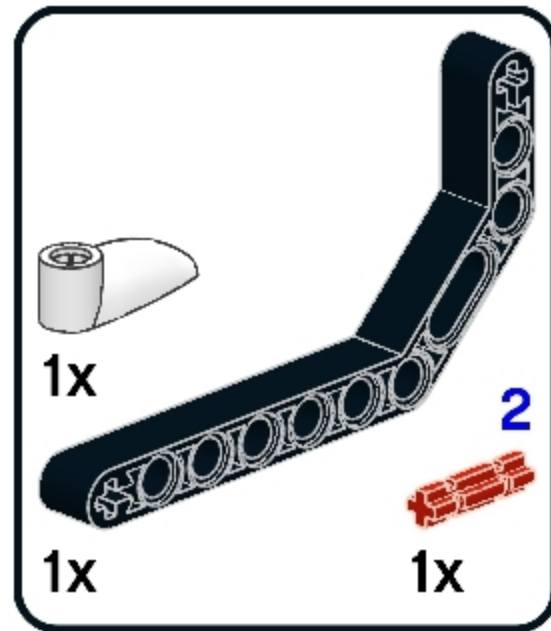
13



1



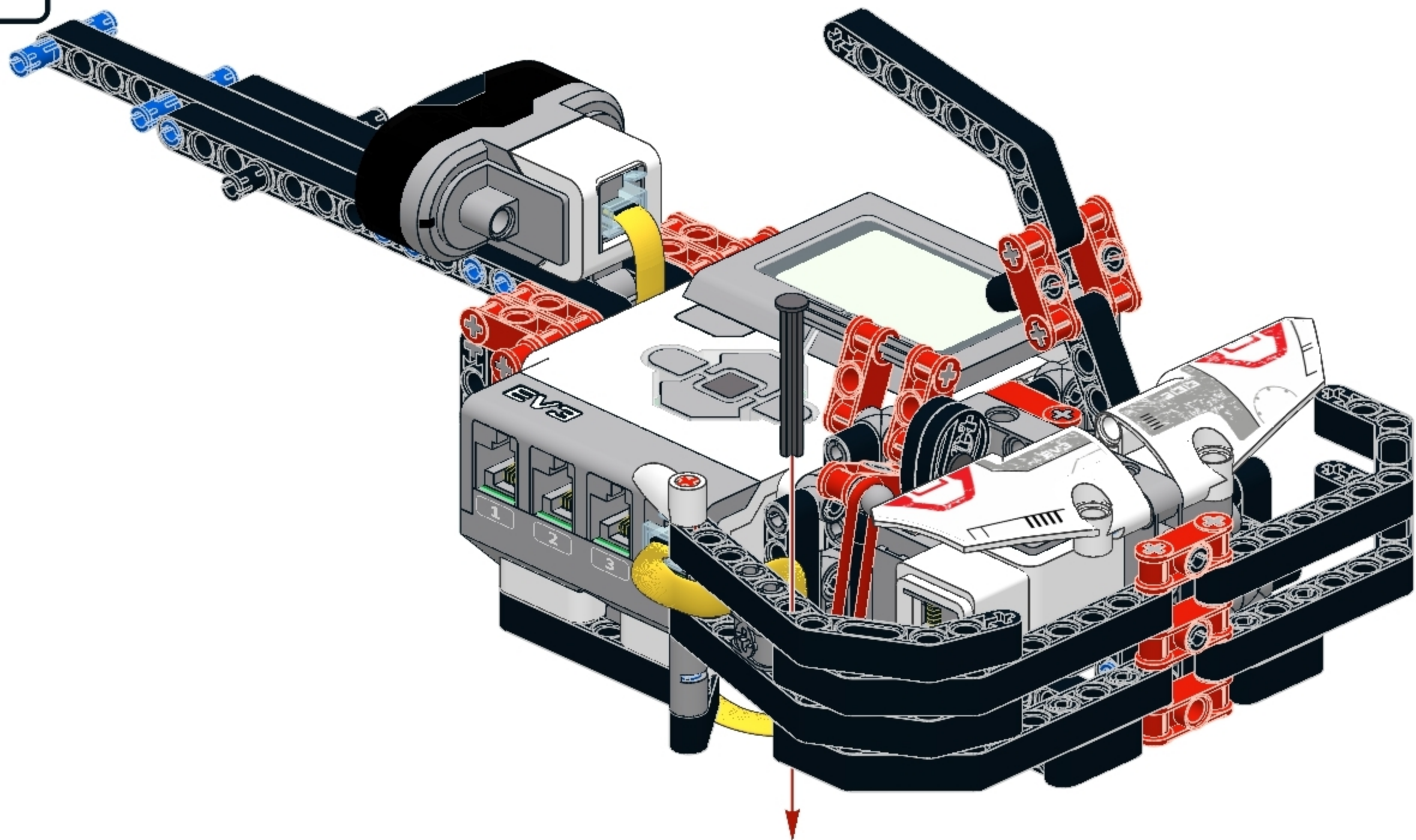
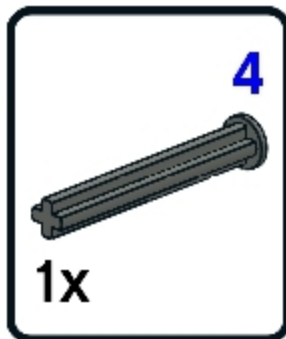
2



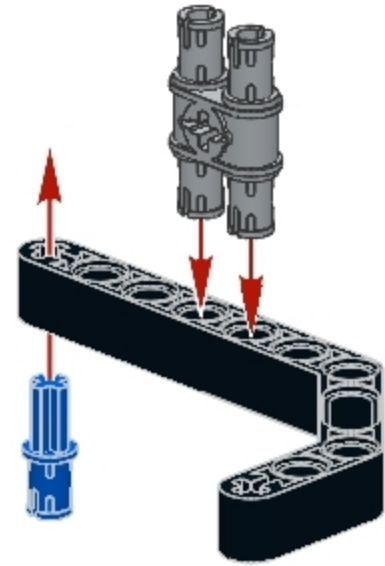
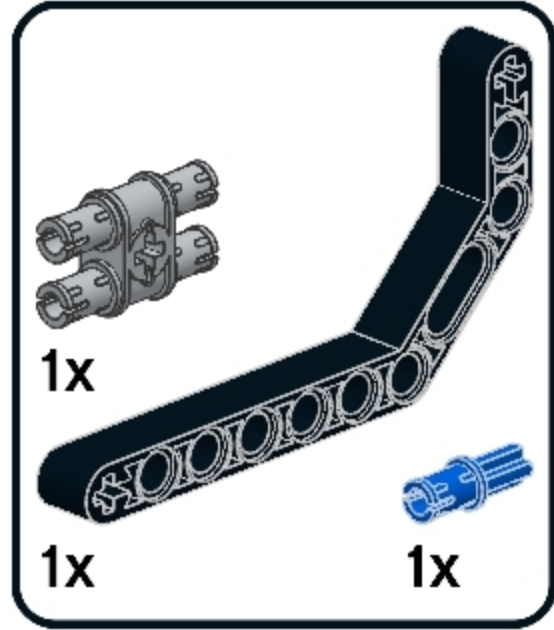
3



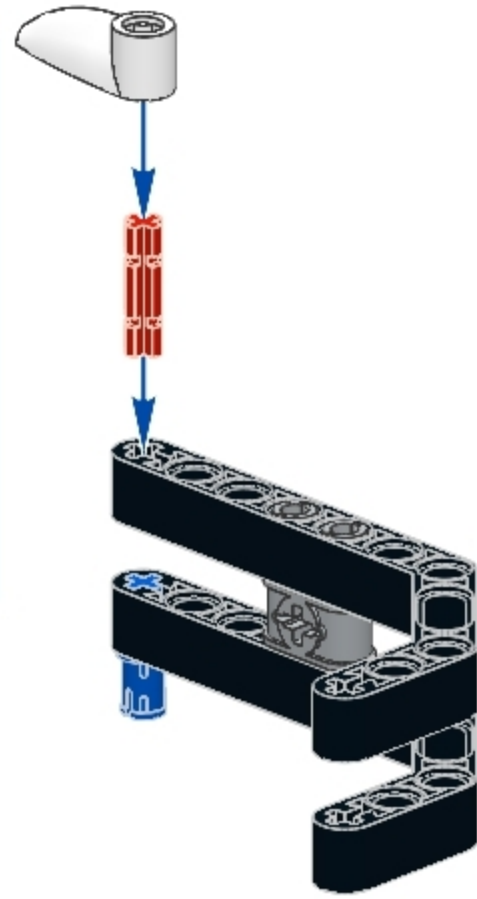
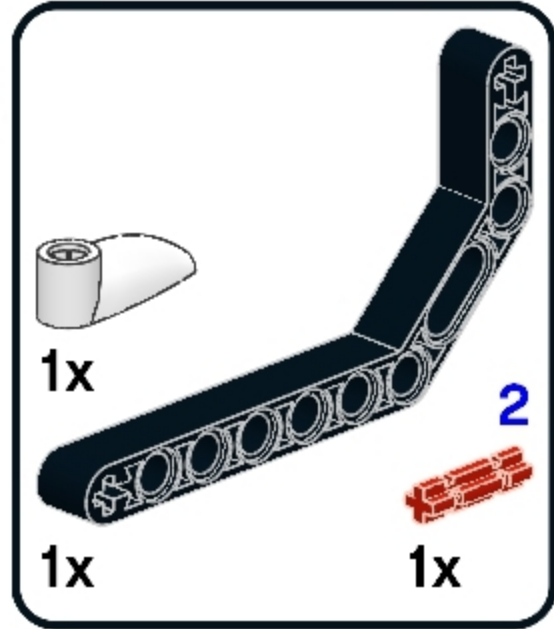
14



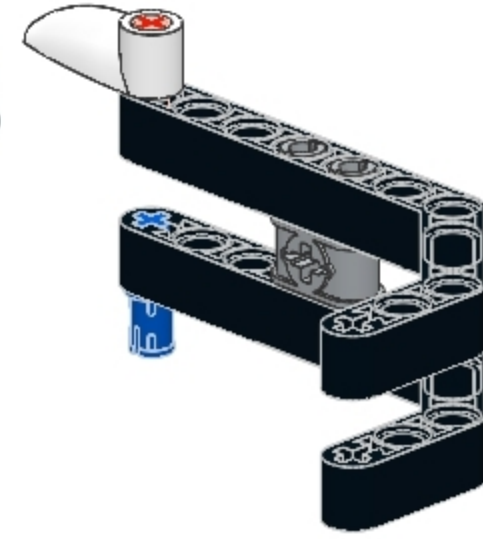
1



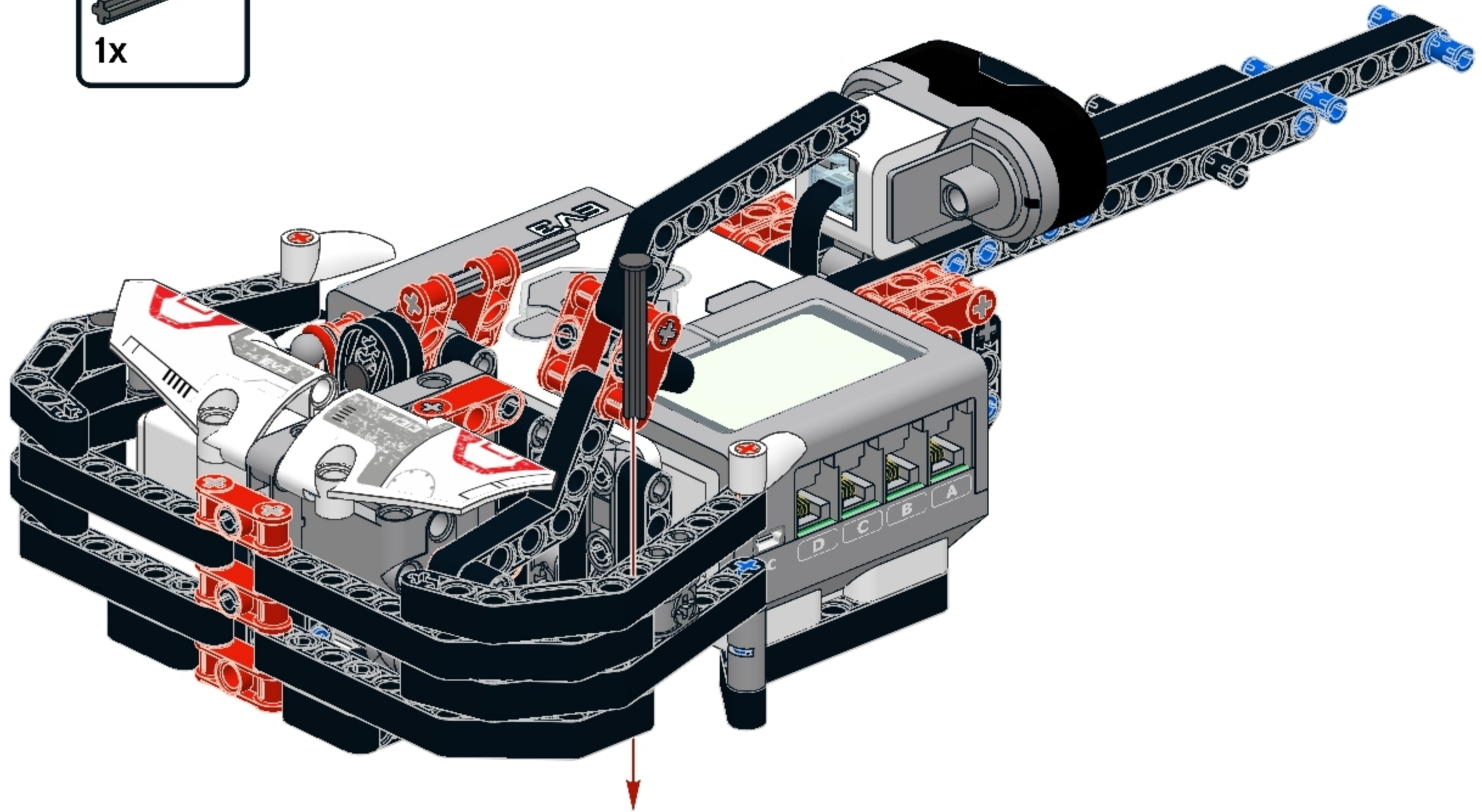
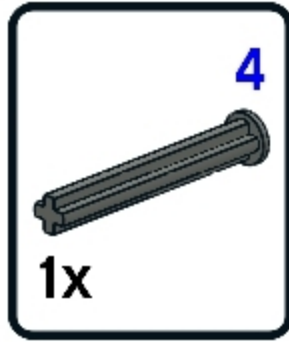
2



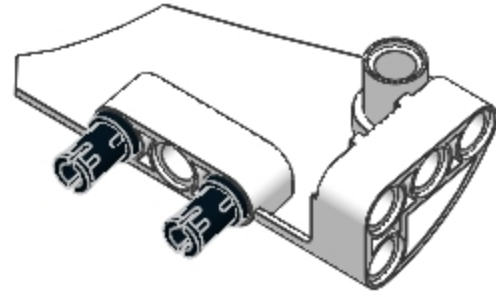
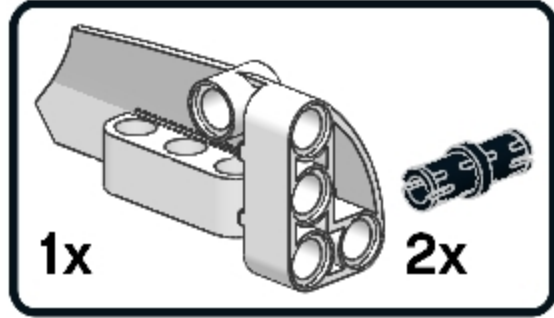
3



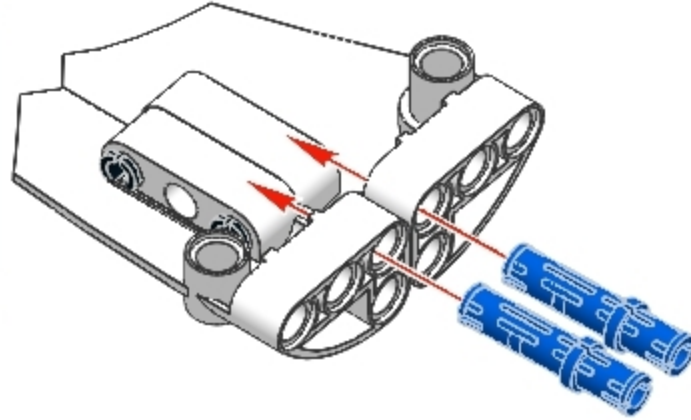
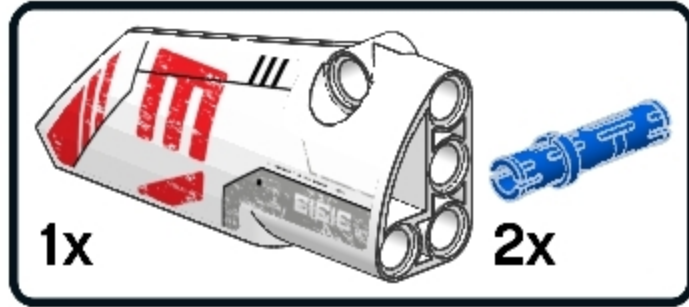
15



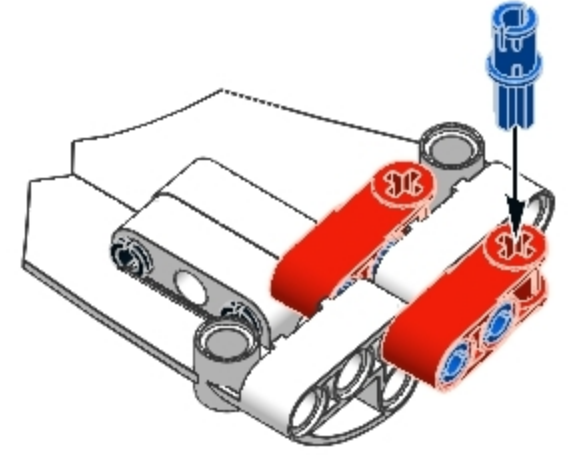
1



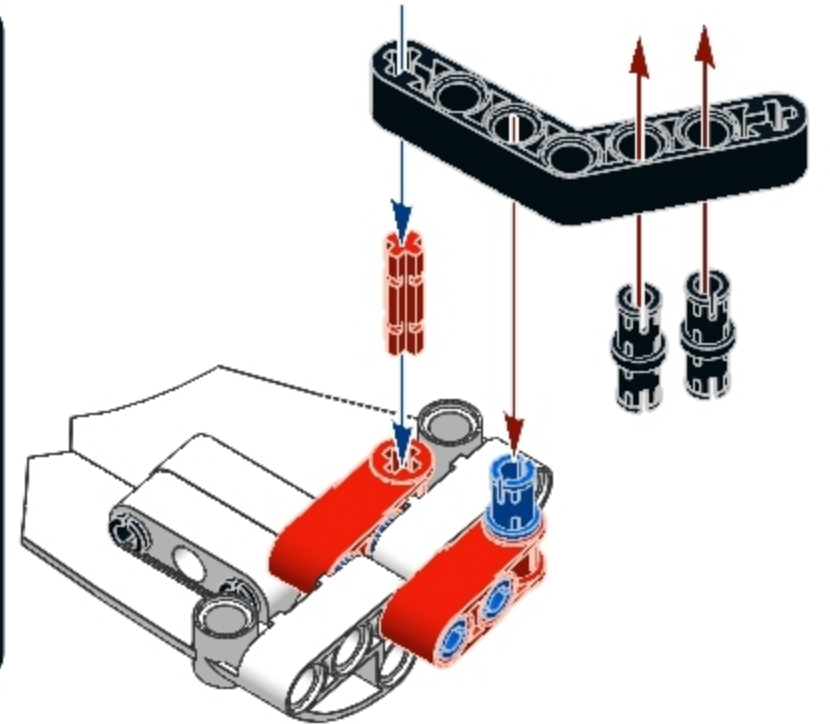
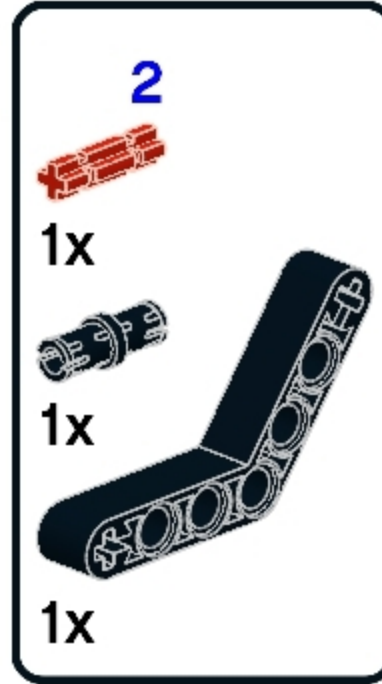
2



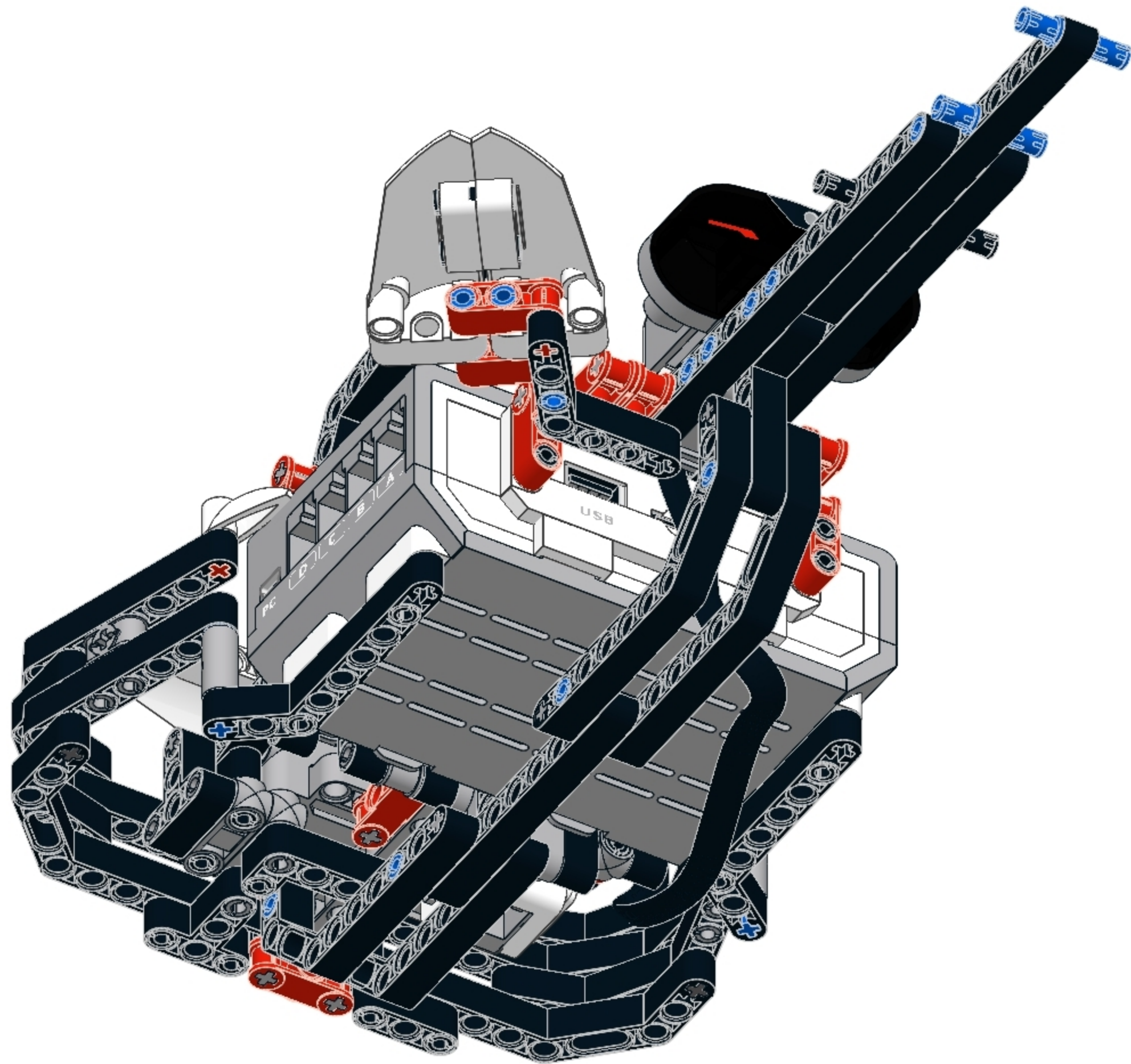
3

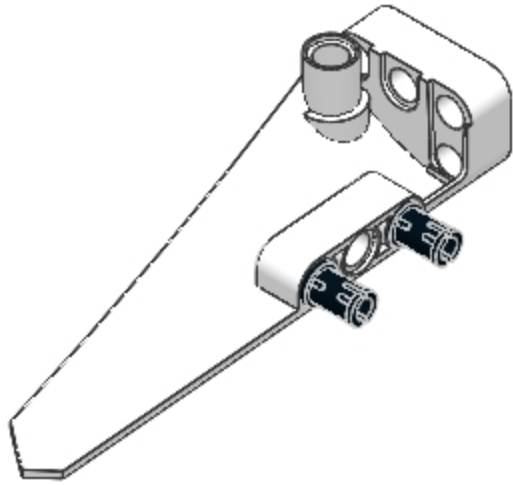
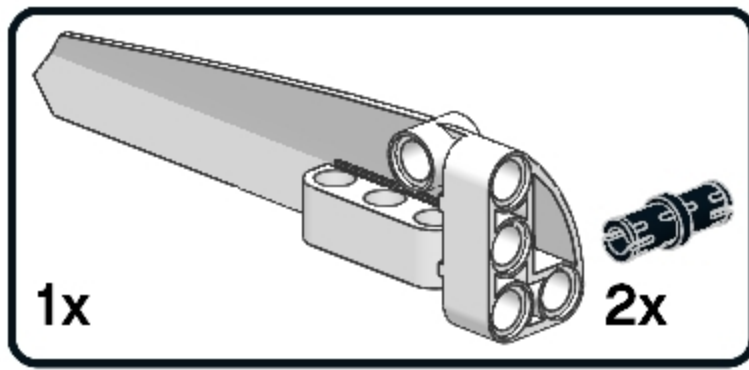
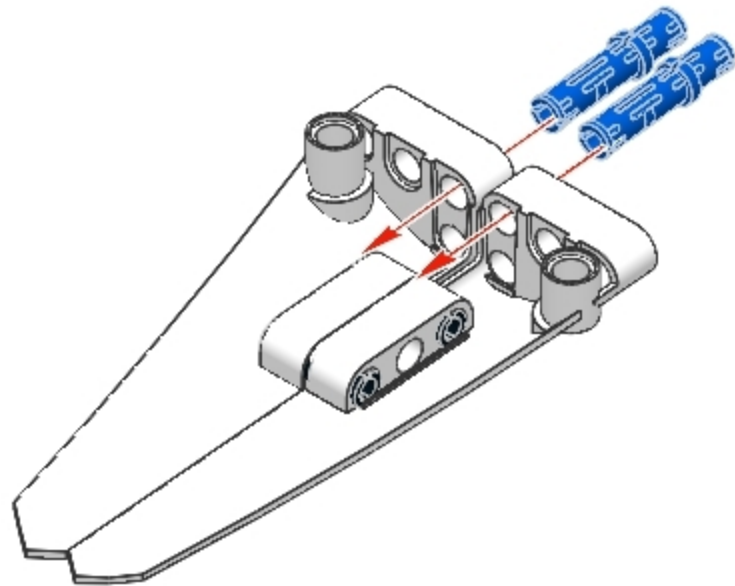
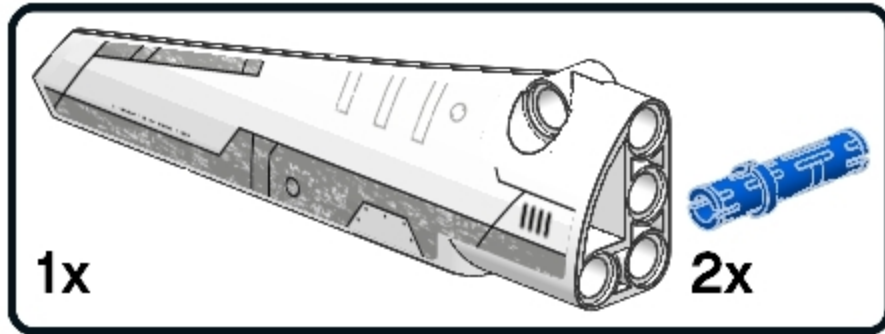
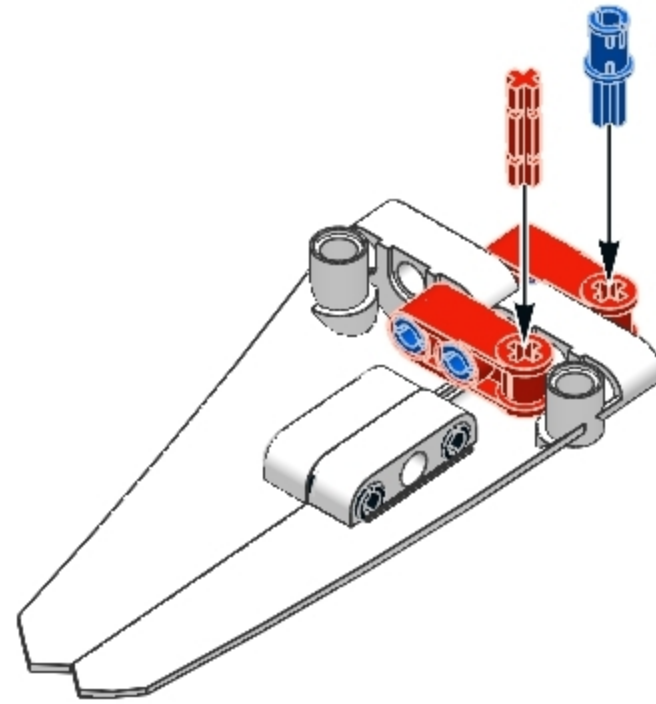
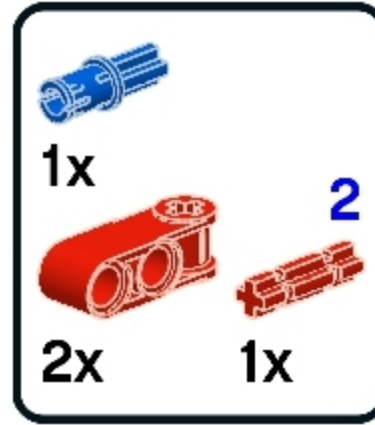
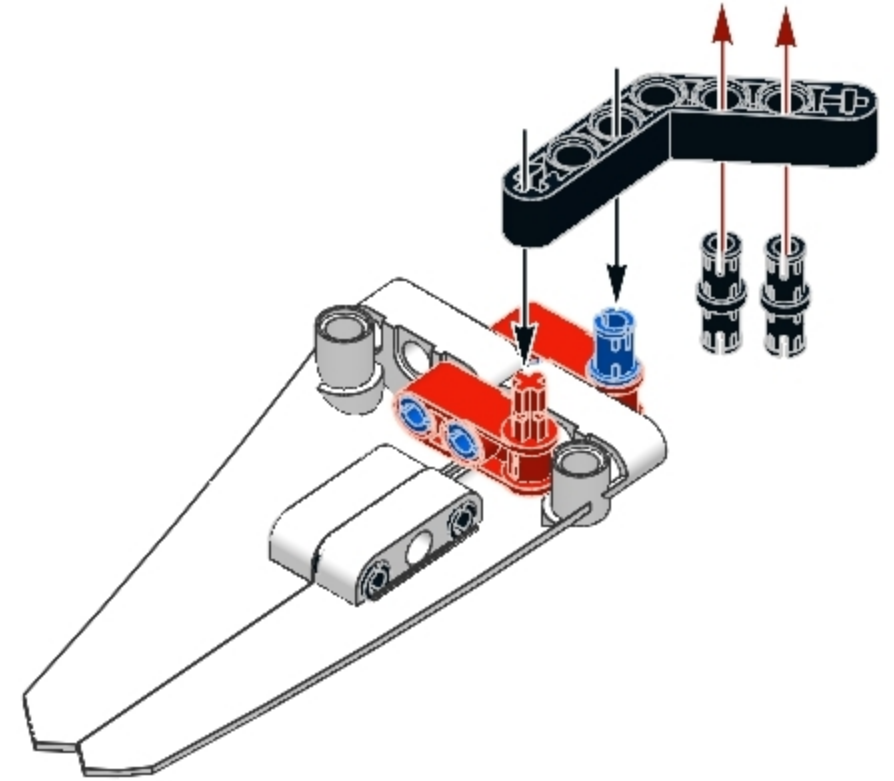
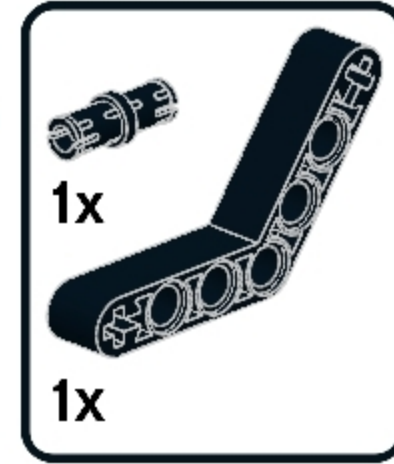


4

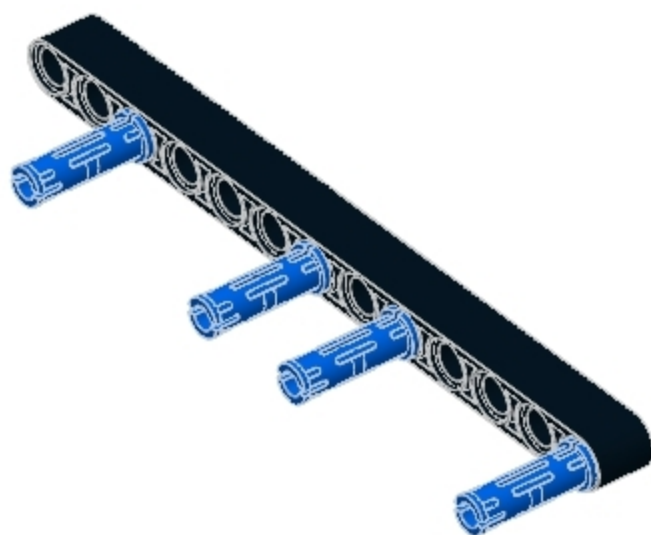
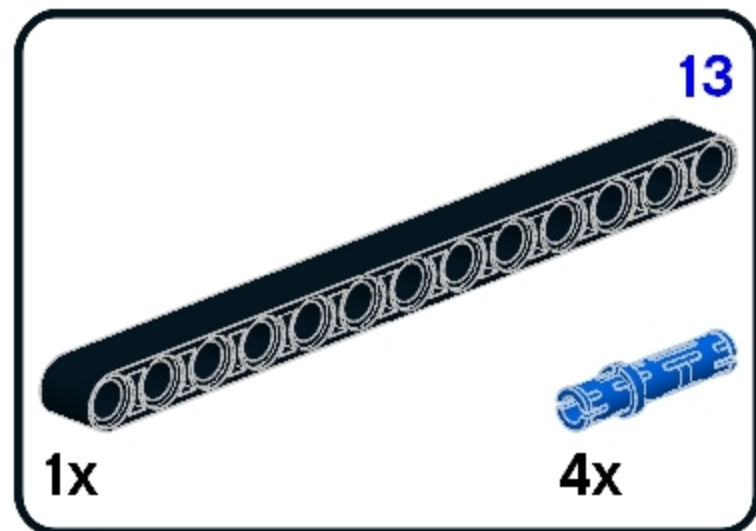


16

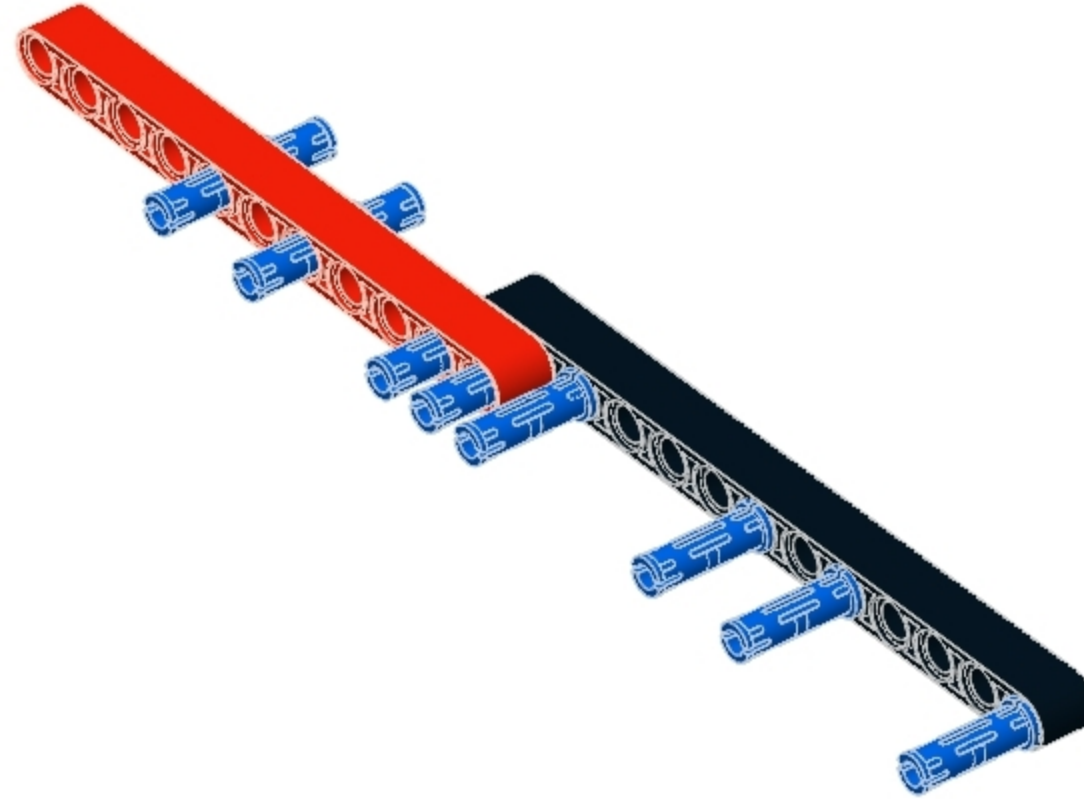
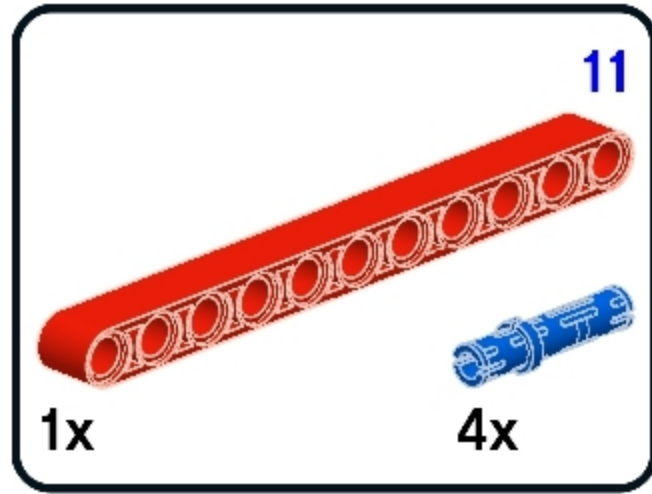


1**2****3****4**

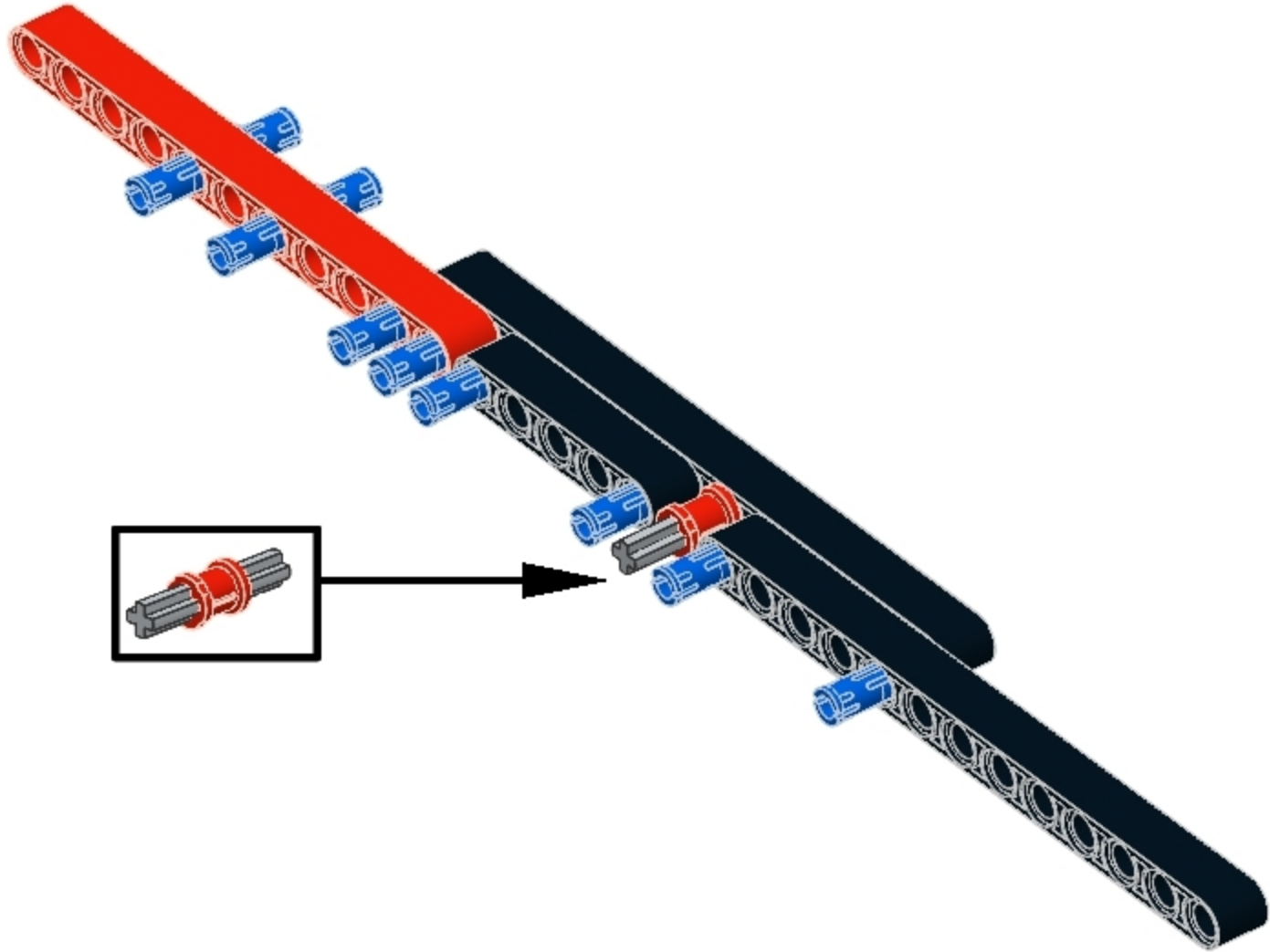
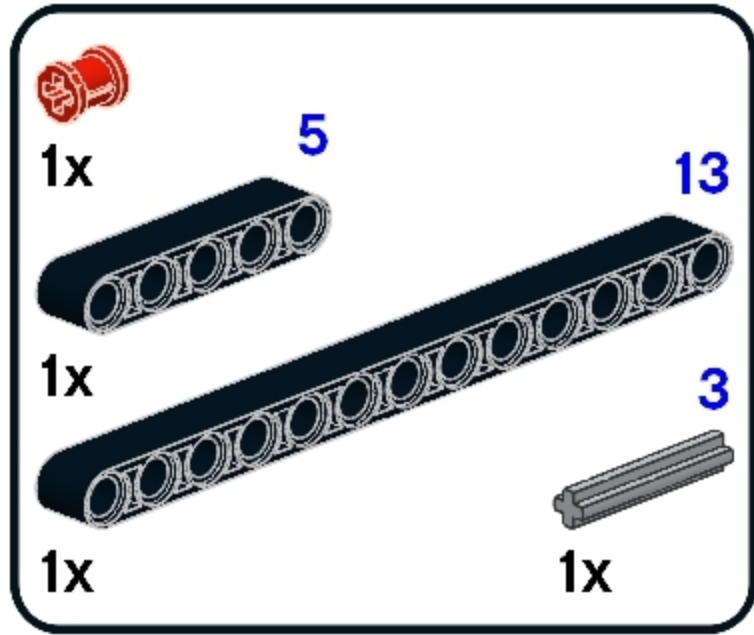
1



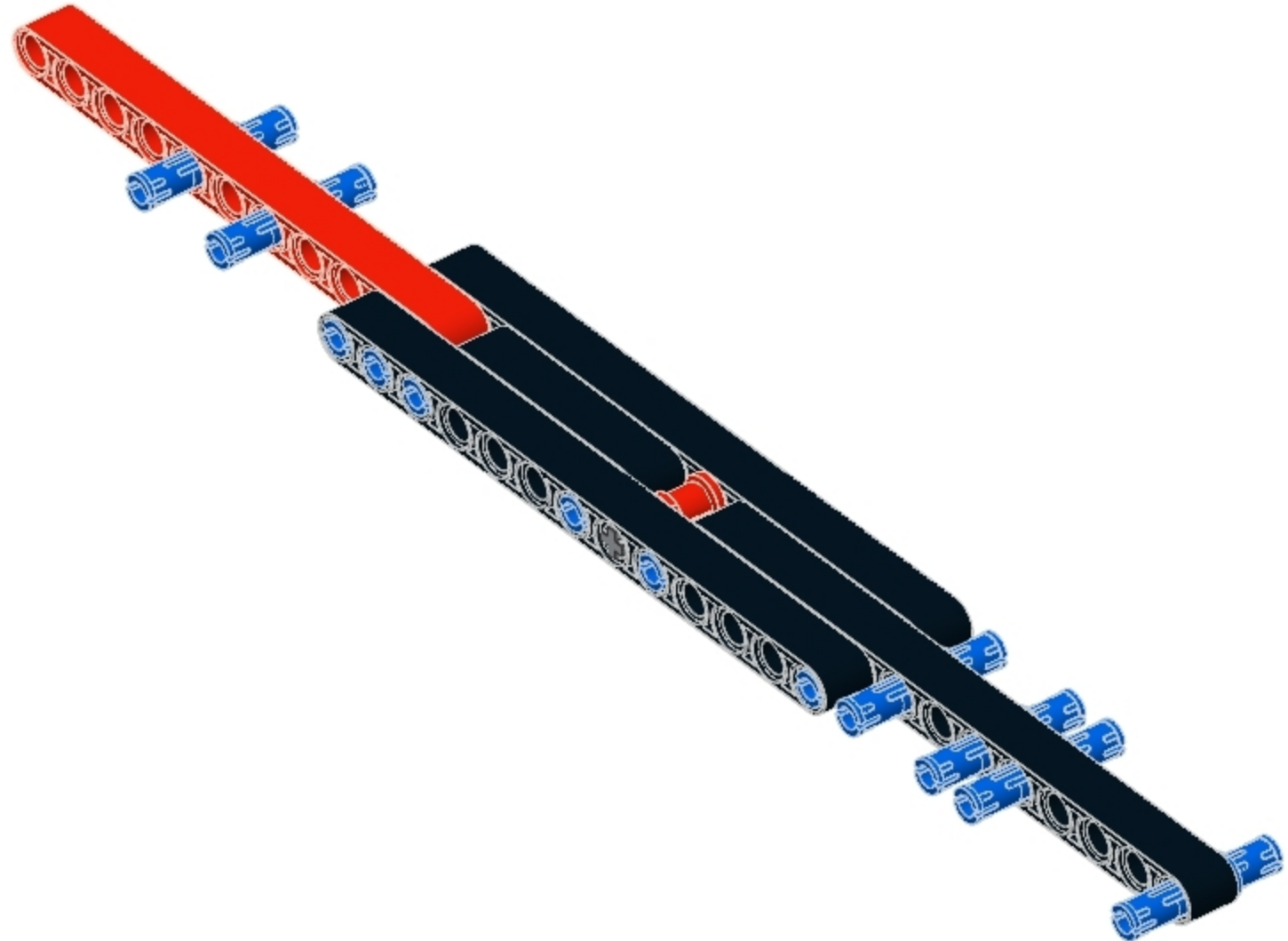
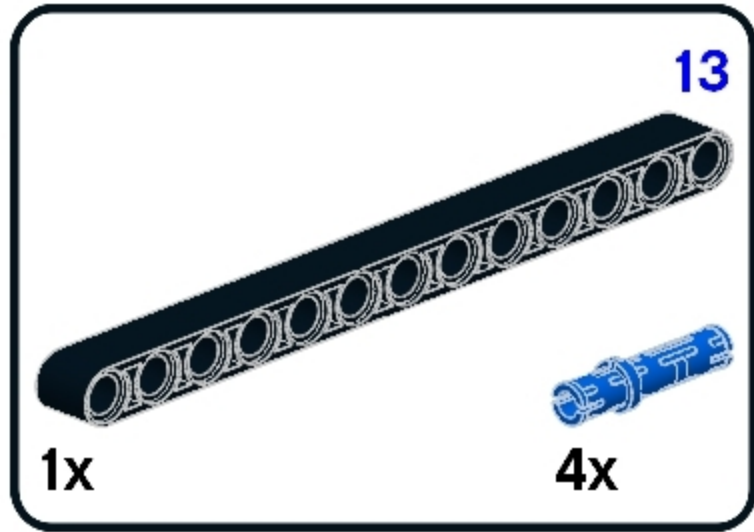
2



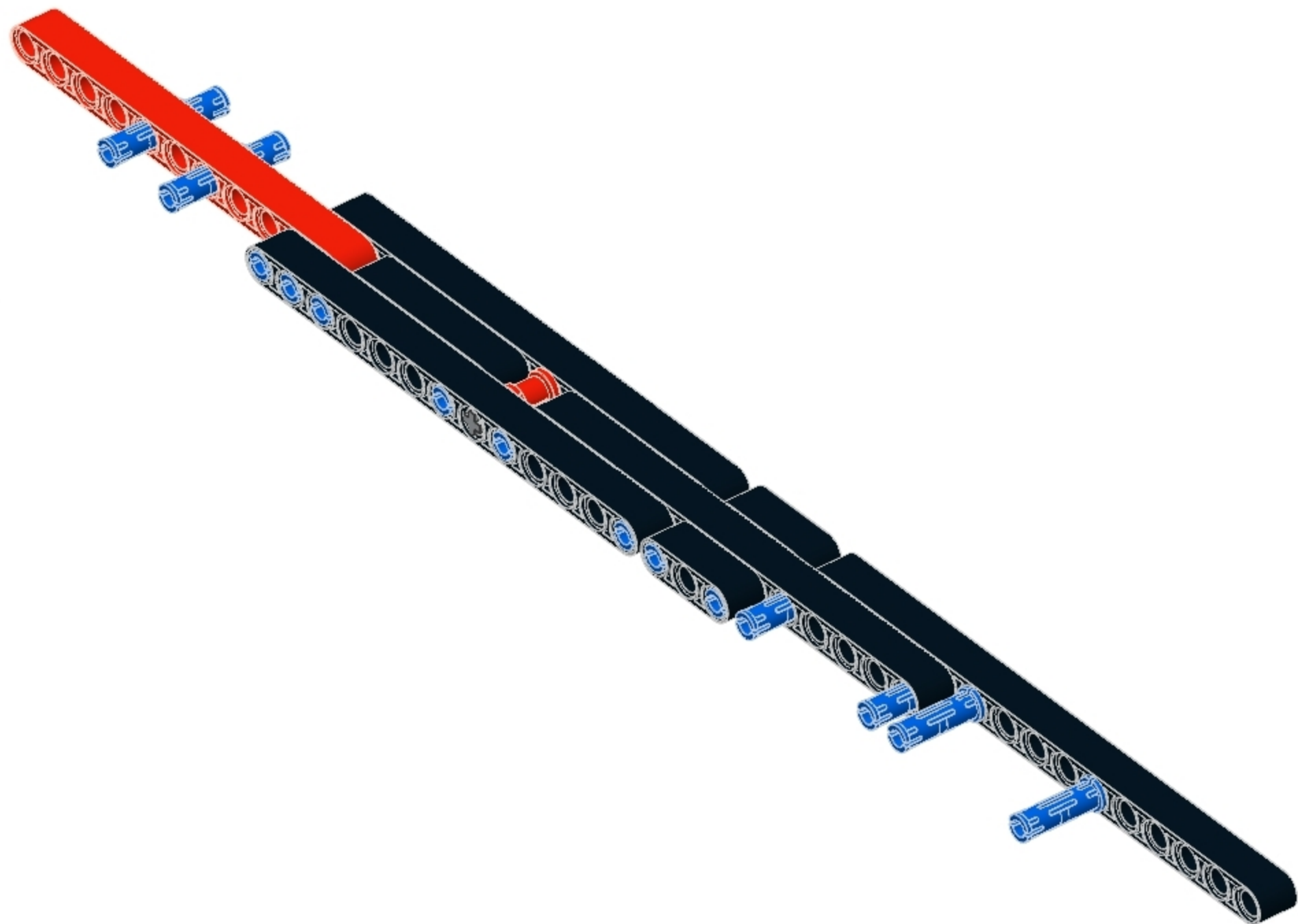
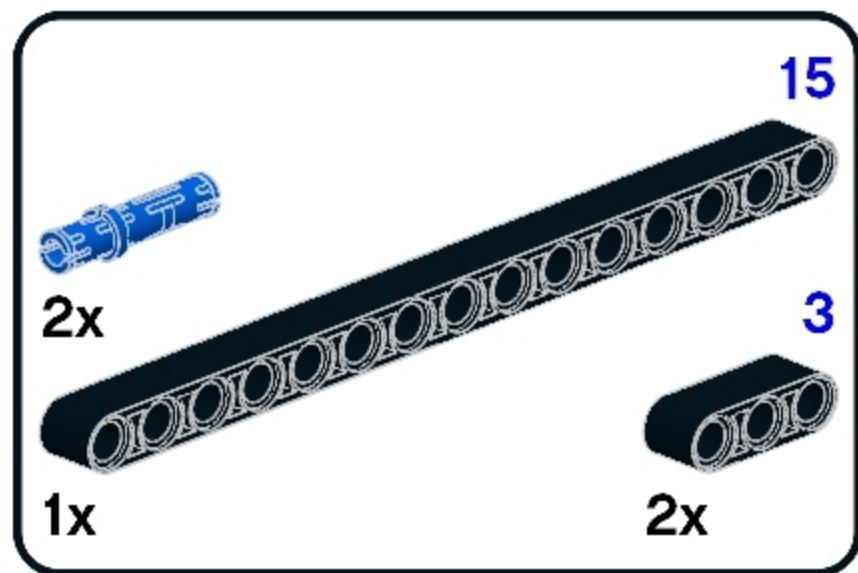
3



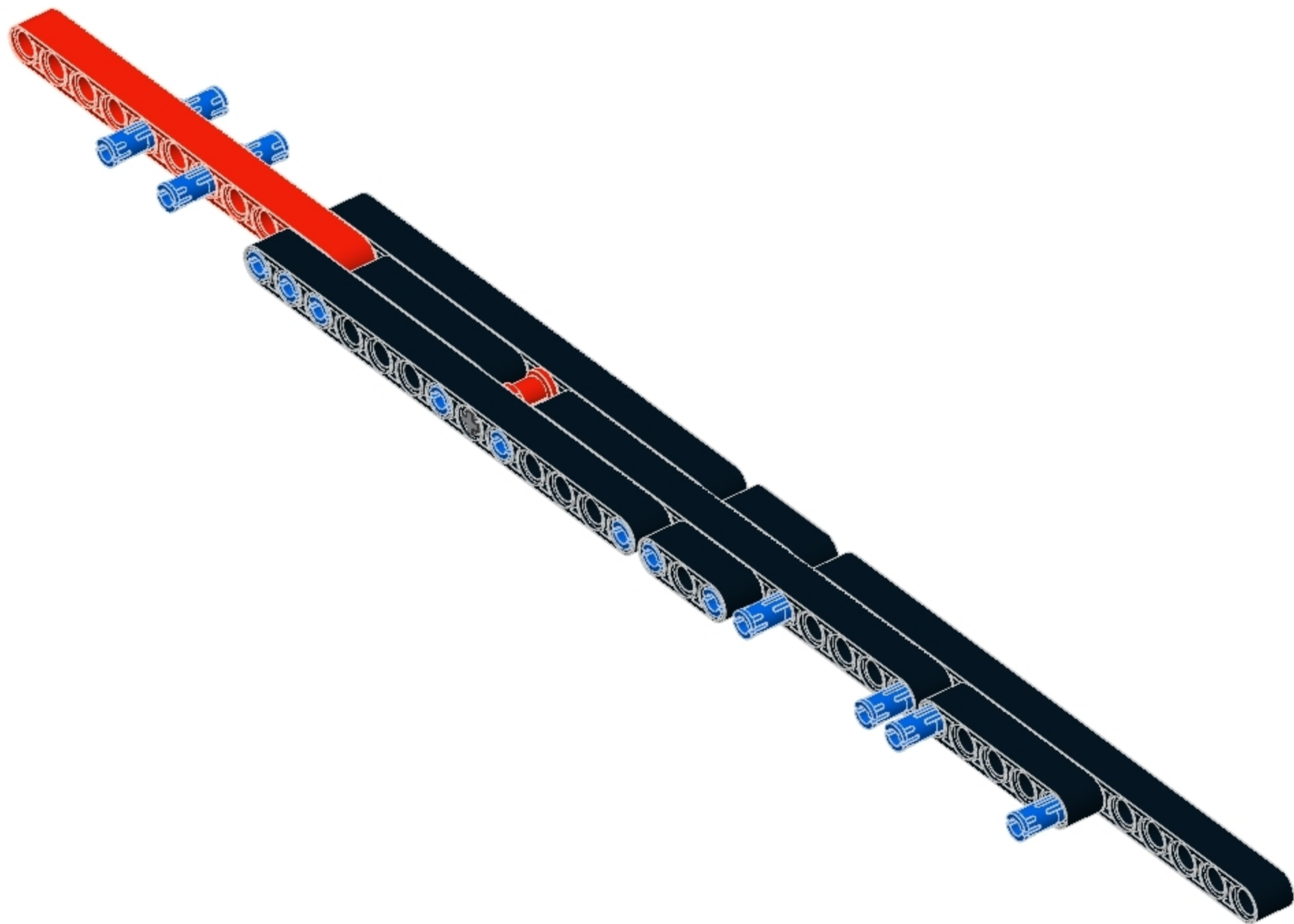
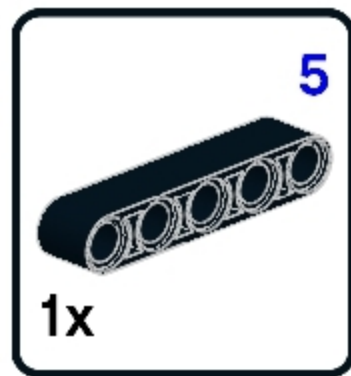
4



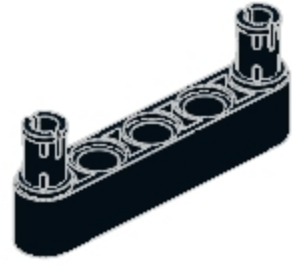
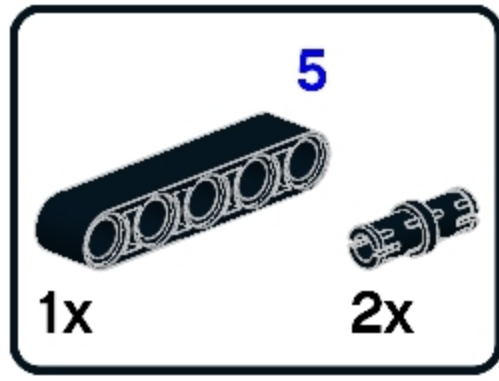
5



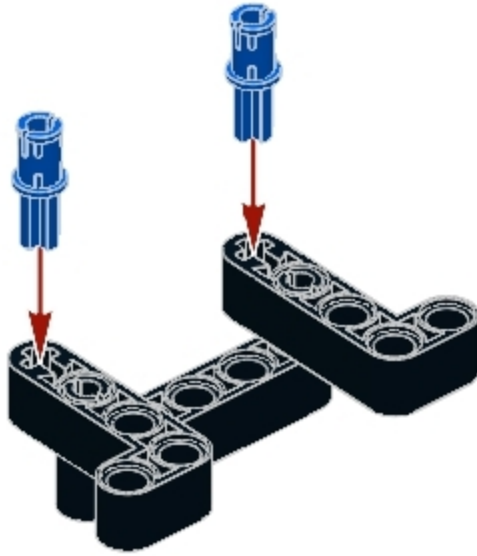
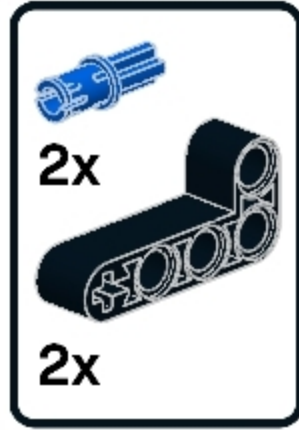
6



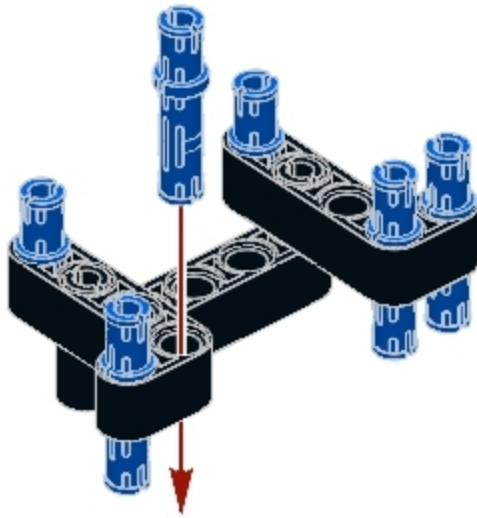
1



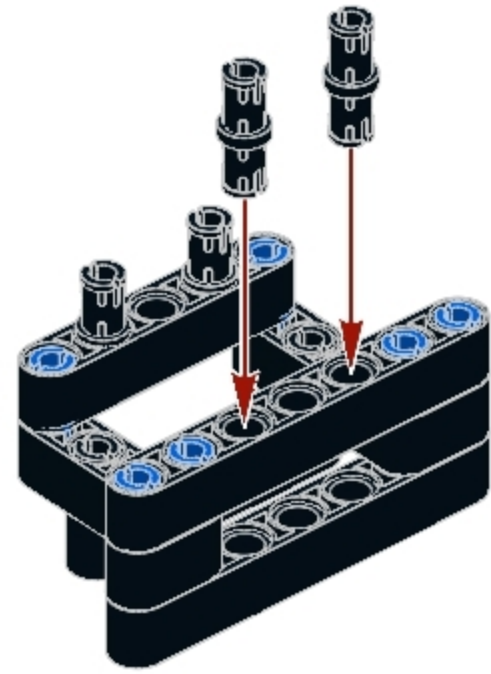
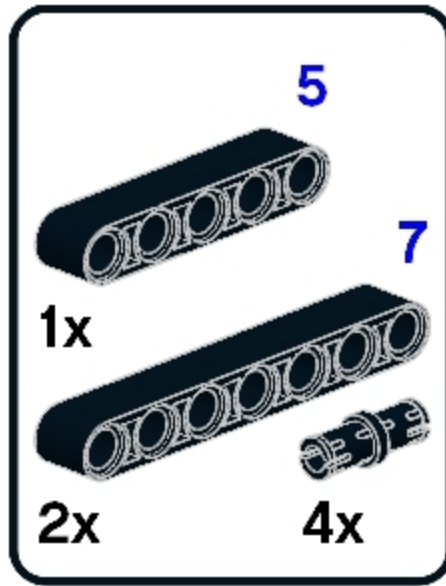
2



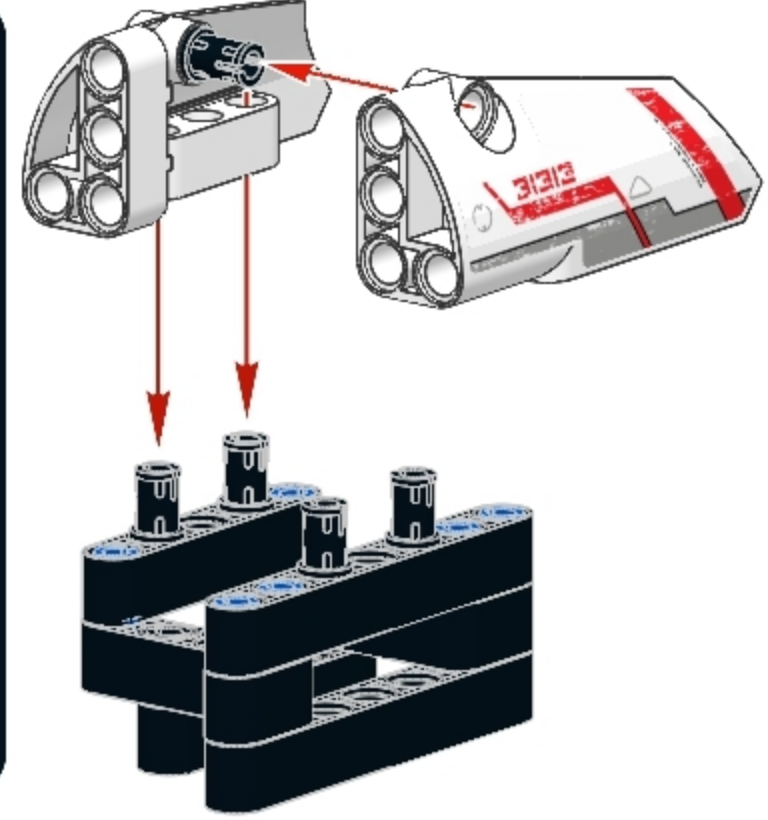
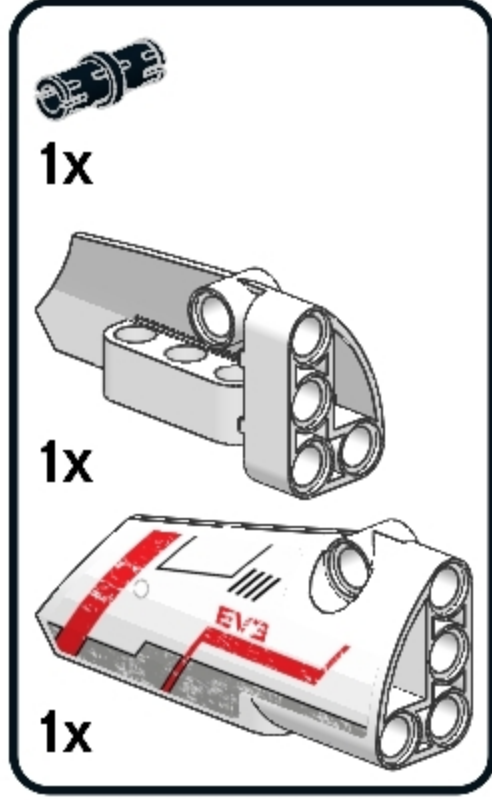
3



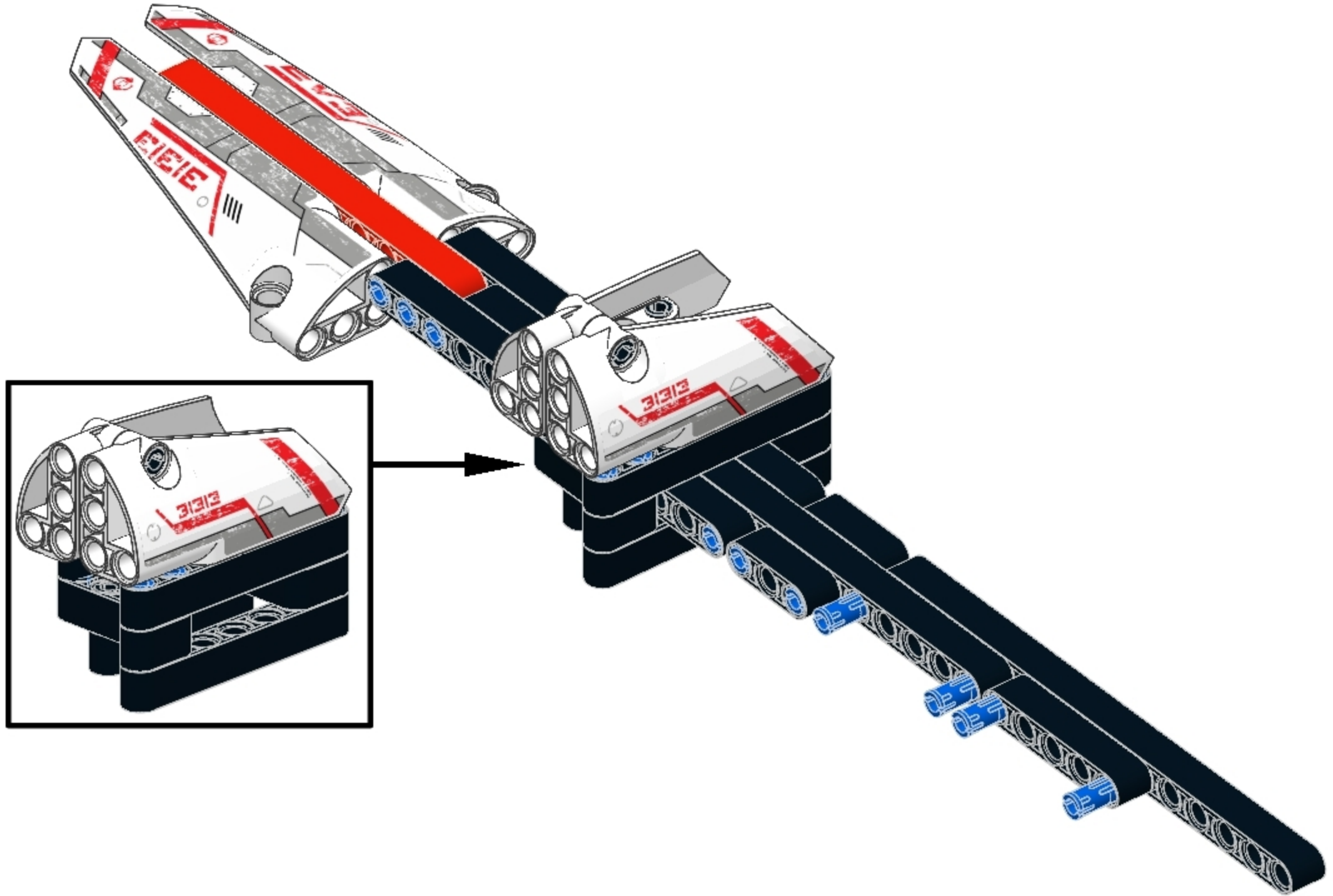
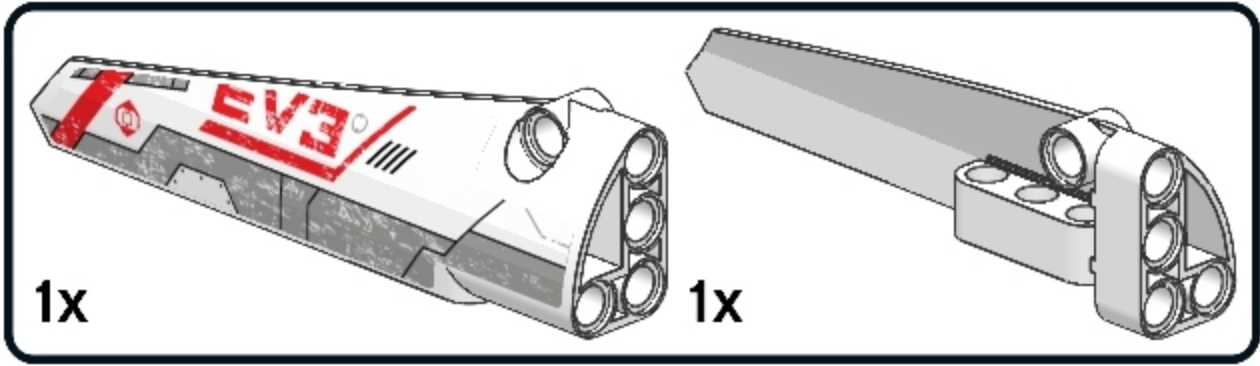
4



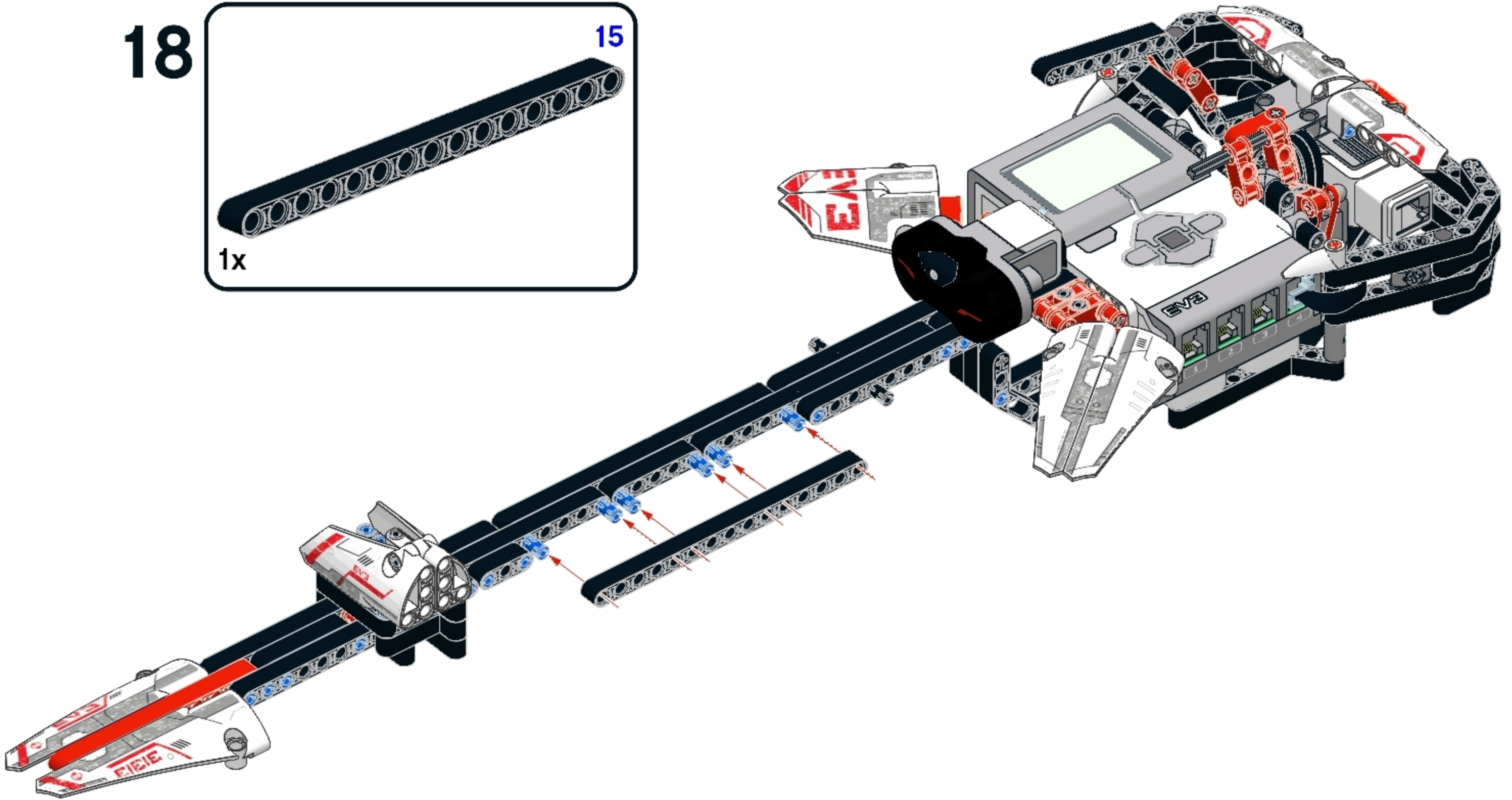
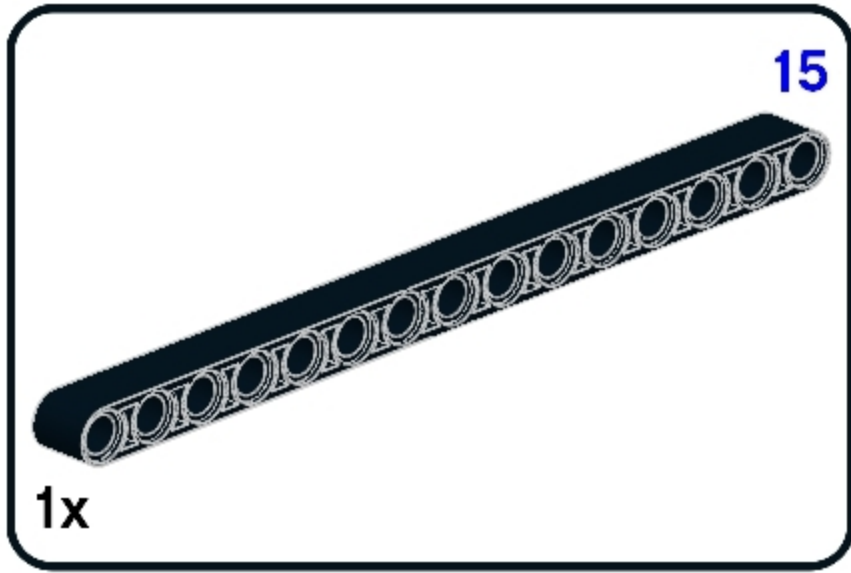
5



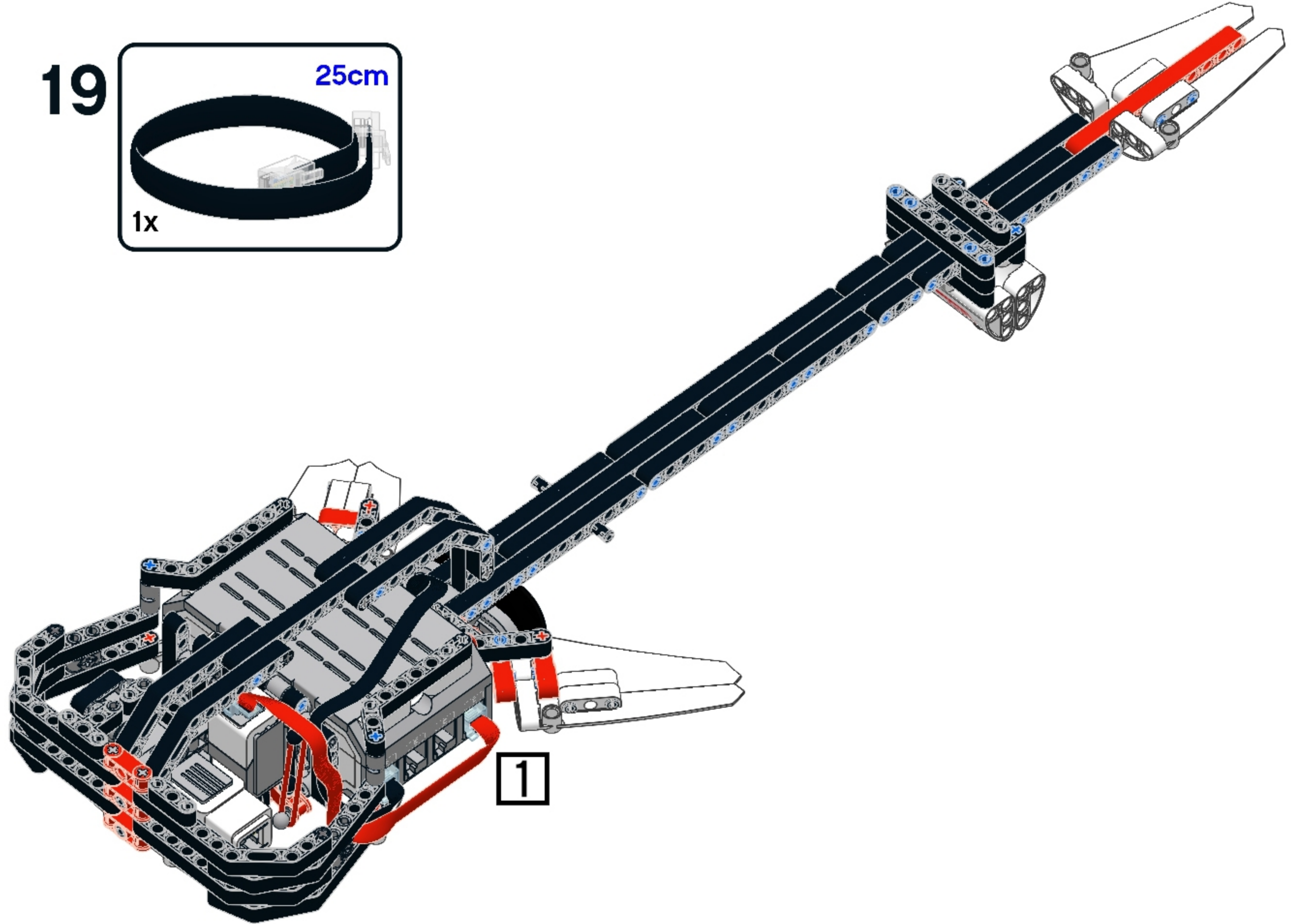
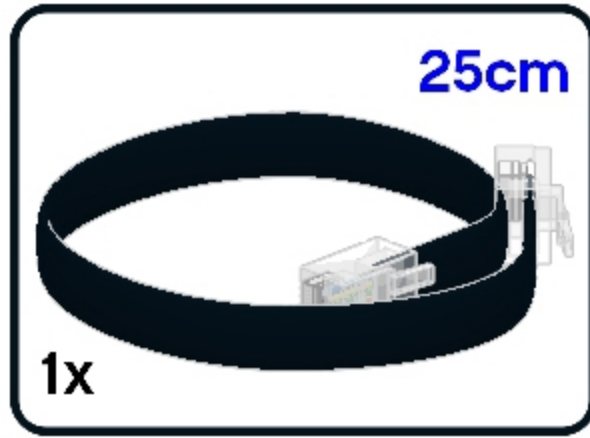
7



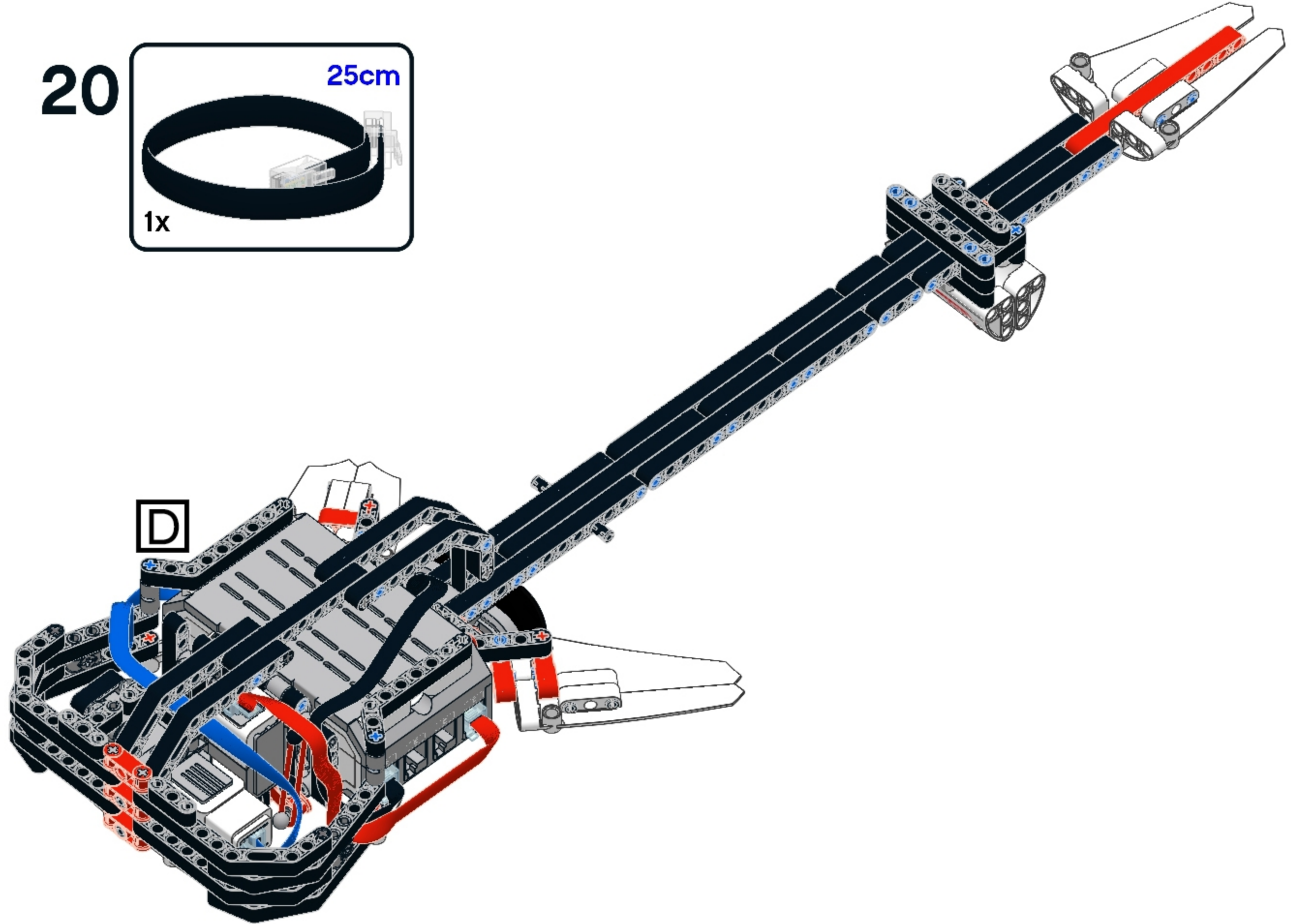
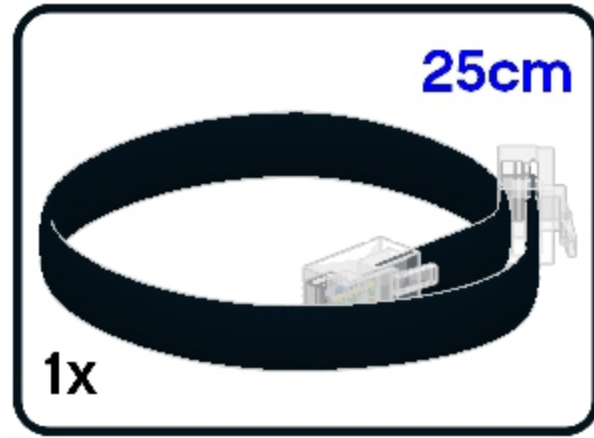
18



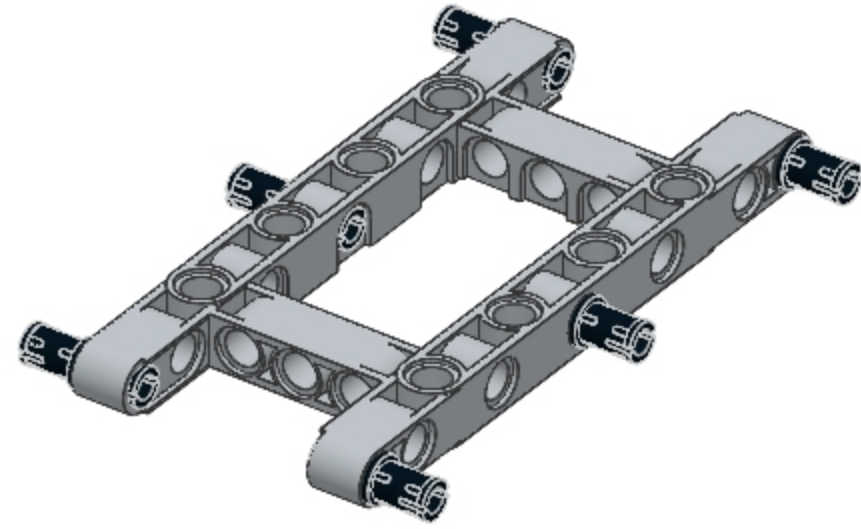
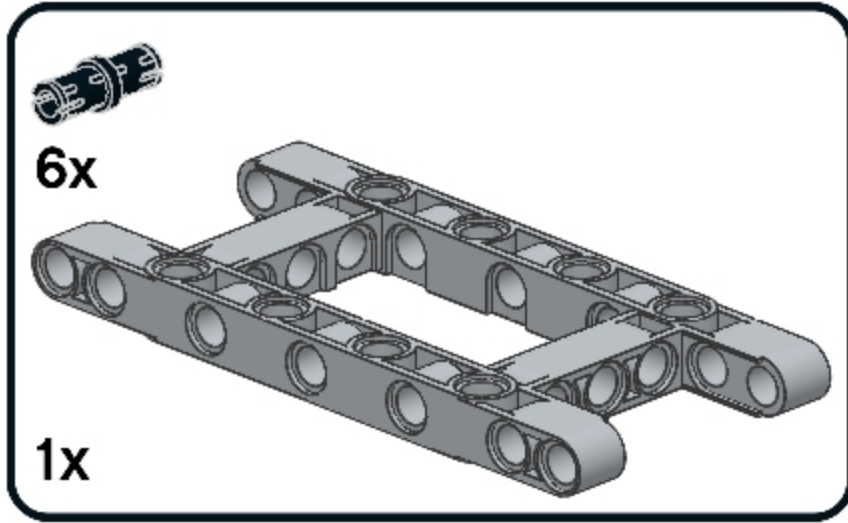
19



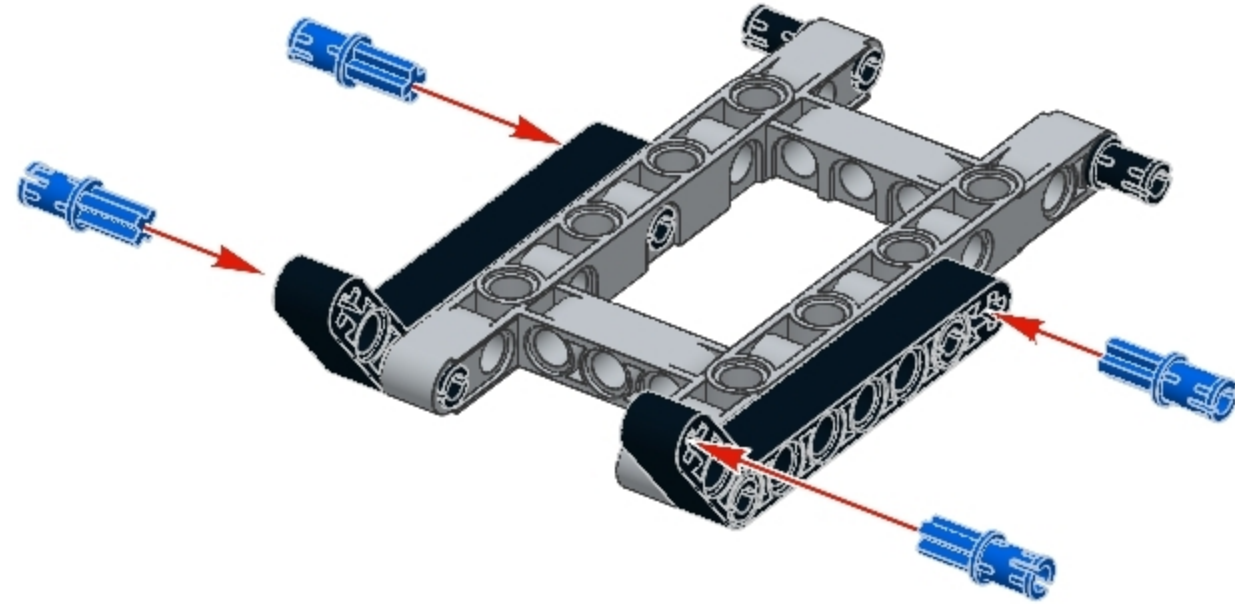
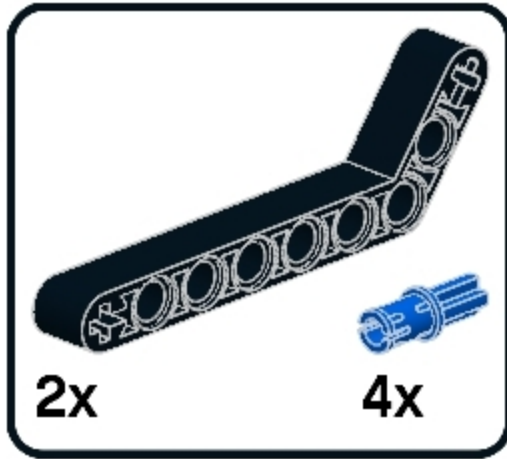
20



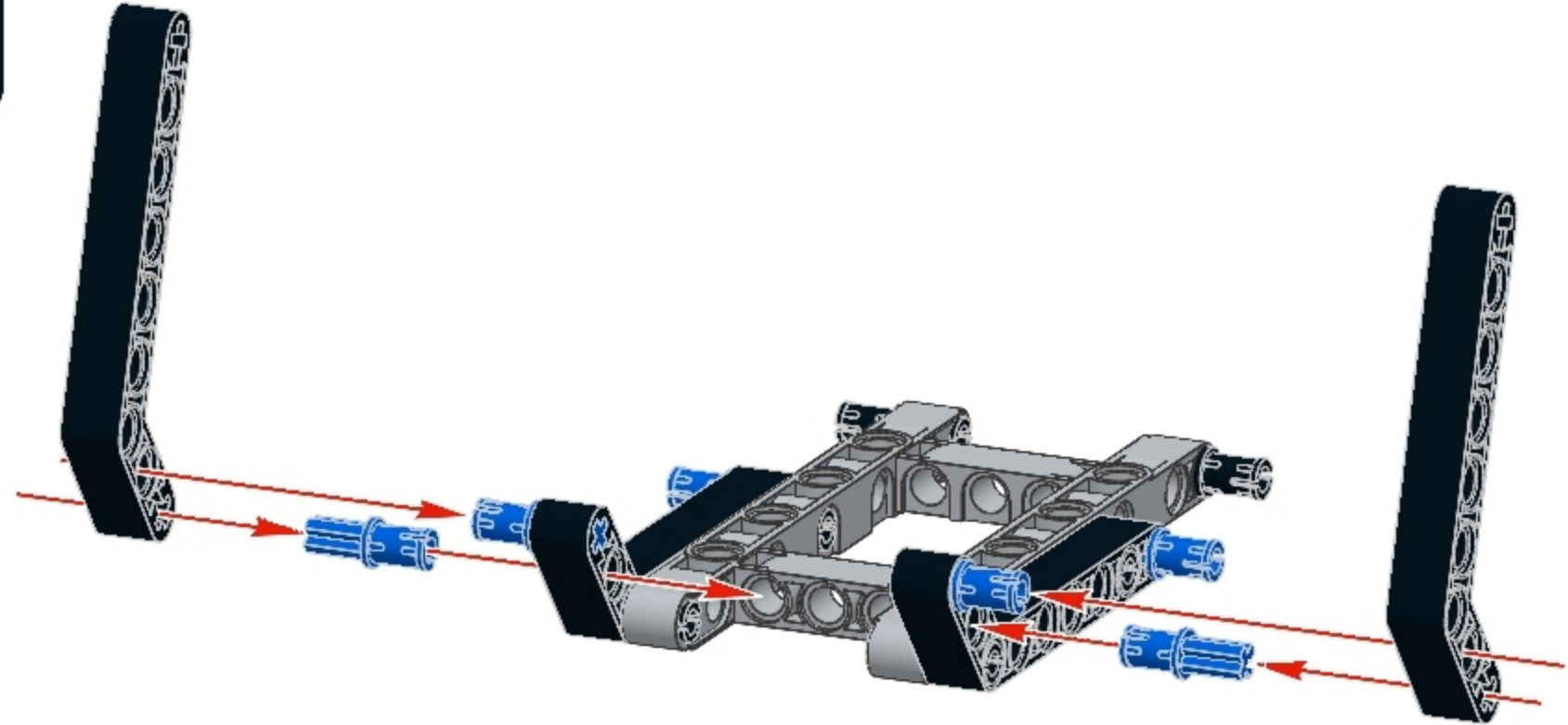
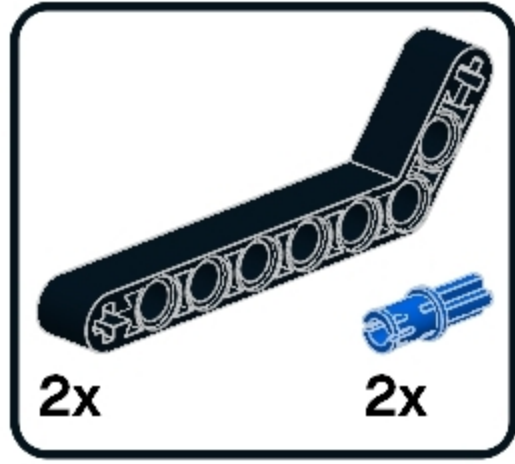
2



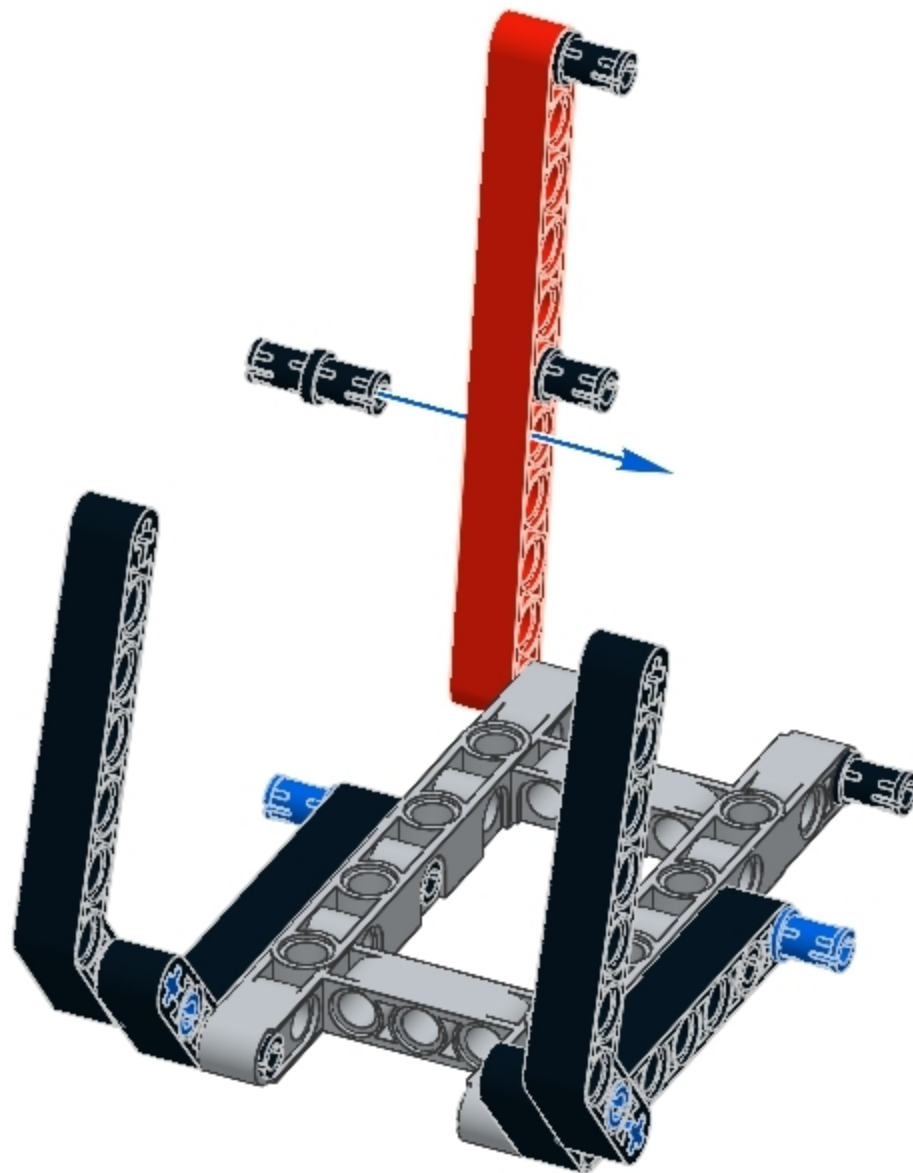
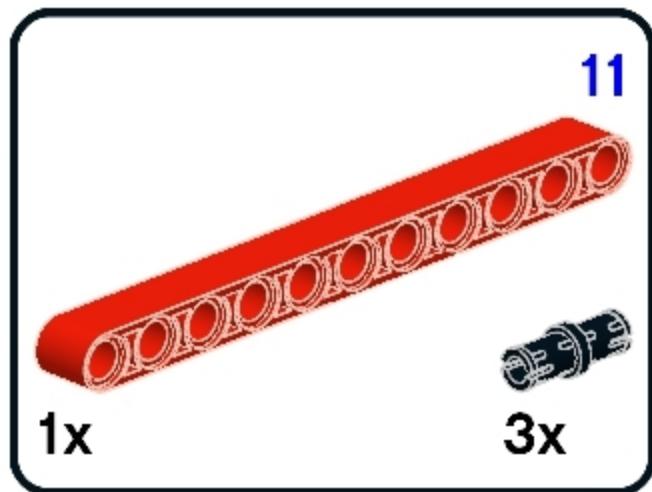
3



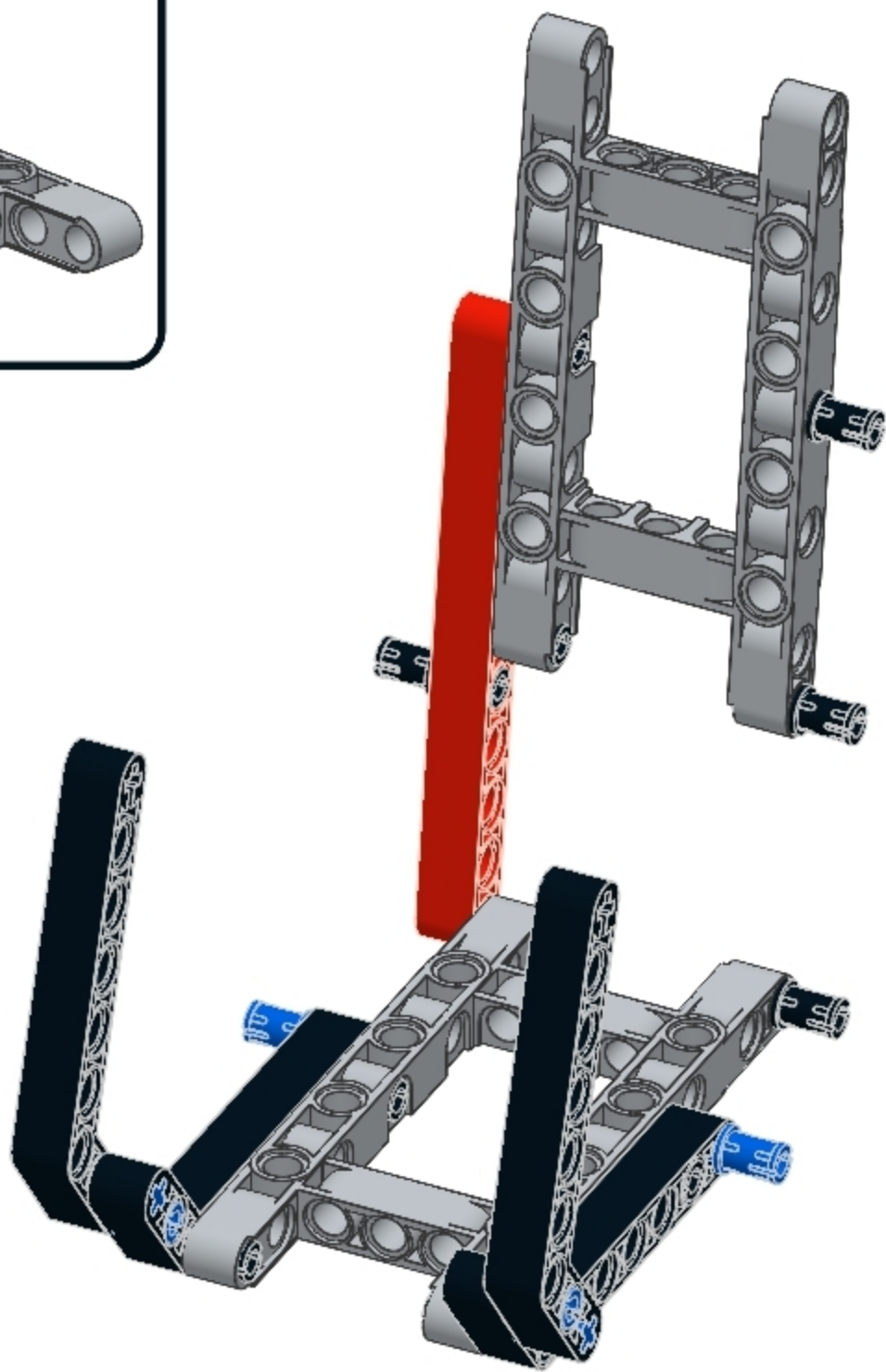
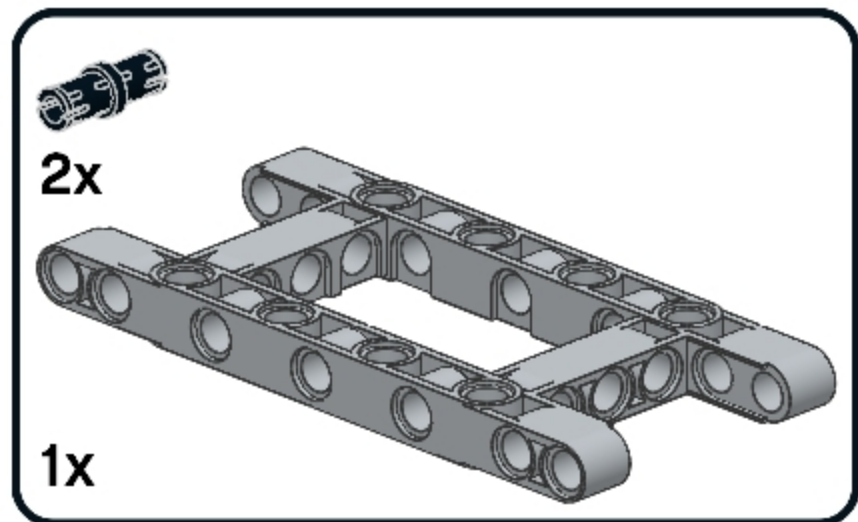
4



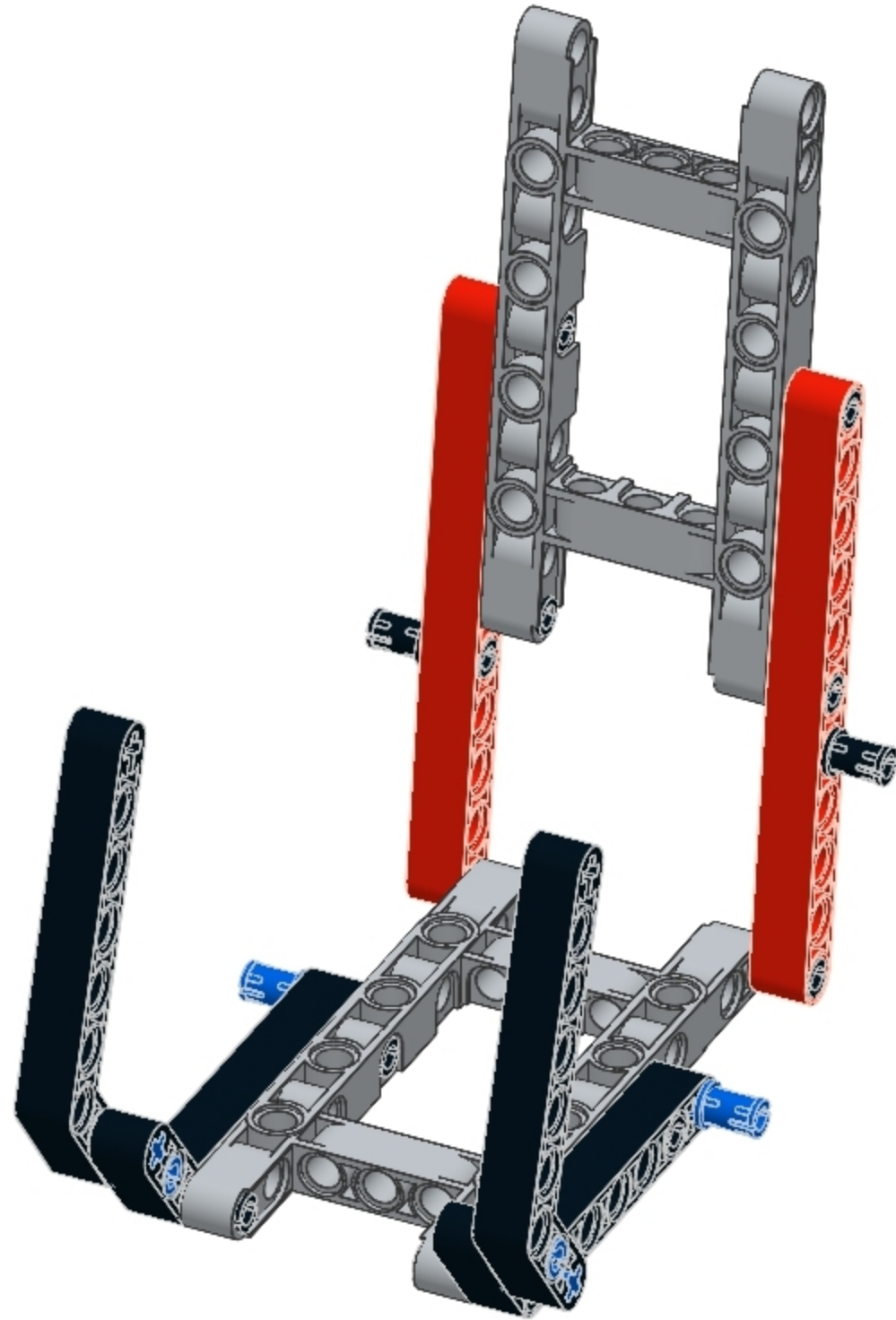
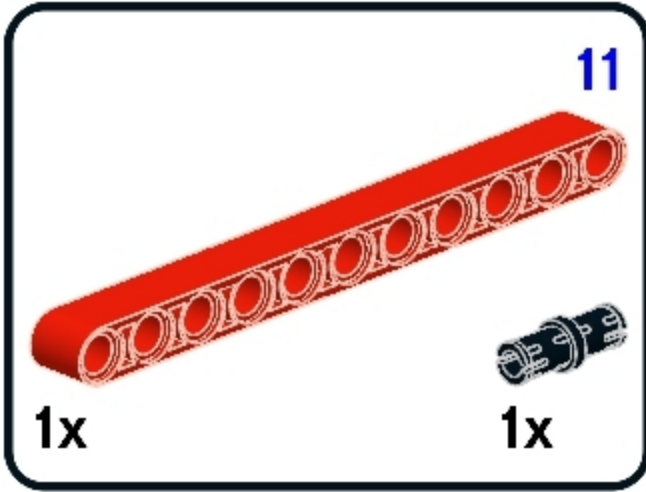
5



6



7



8

