

30657



6458819

[LEGO.com/speedchampions](https://www.LEGO.com/speedchampions)

YOU COULD **WIN**

Go to [WWW.LEGO.COM/RB2023](https://www.LEGO.com/RB2023) to fill out a short survey on this product for a chance to win a cool LEGO® set. Terms and Conditions apply



**LEGO.com/RB2023**

**TU POURRAIS GAGNER**

Rendez-vous au [www.LEGO.com/RB2023](https://www.LEGO.com/RB2023) pour remplir un court questionnaire sur ce produit et courir la chance de gagner un fantastique ensemble LEGO®.

Voir Conditions Générales

**PUEDES GANAR**

Visita [www.LEGO.com/RB2023](https://www.LEGO.com/RB2023) y responde una breve encuesta sobre este producto. ¡Puedes ganar un fantástico set LEGO®!

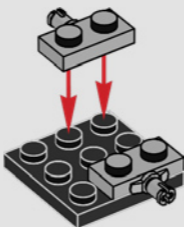
Términos y Condiciones aplicables

[LEGO.com/service](https://www.LEGO.com/service)

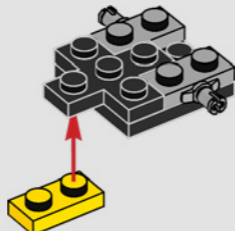
LEGO and the LEGO logo are trademarks of the/son des marques de commerce du/son marcas registradas de LEGO Group. ©2023 The LEGO Group. 6458819

Manufactured under license from McLaren Automotive Limited. The McLaren name and logo are registered trademarks of McLaren.

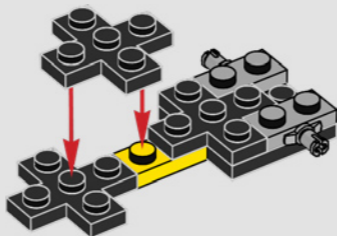
1



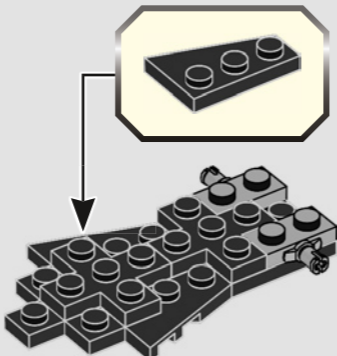
2



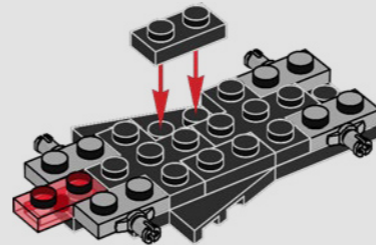
3



4



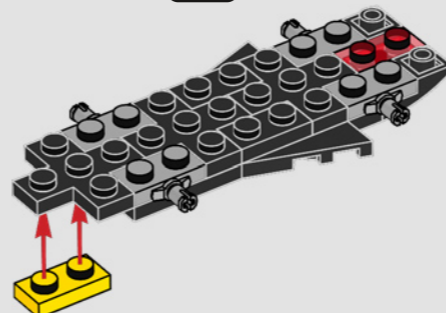
5



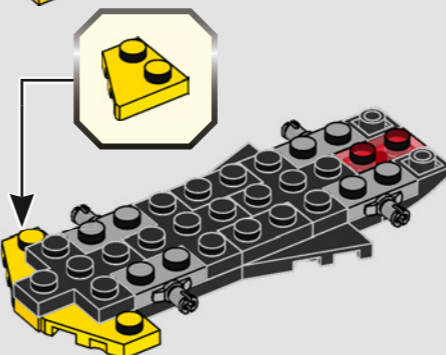
6



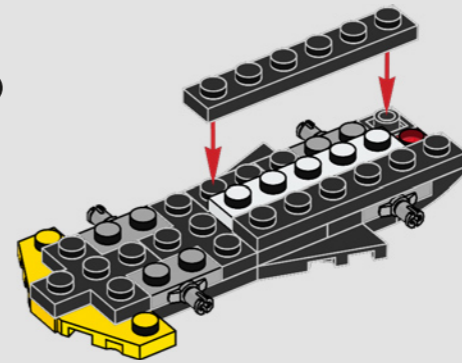
7



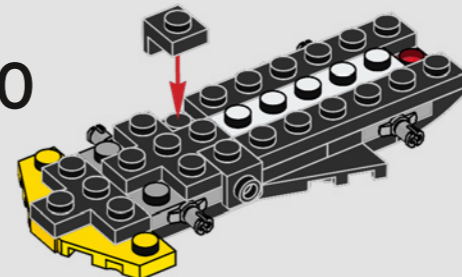
8



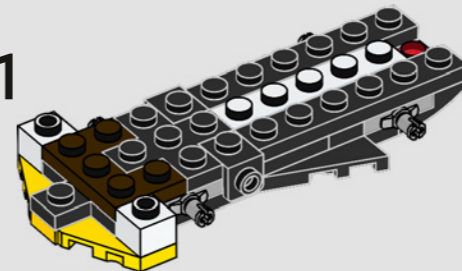
9



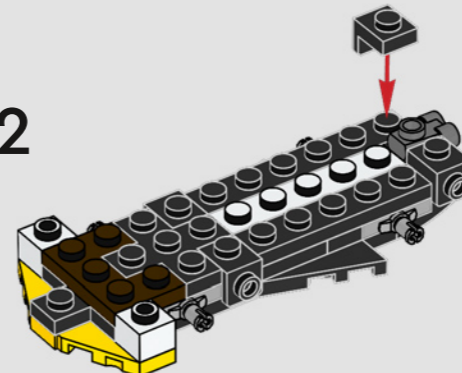
10



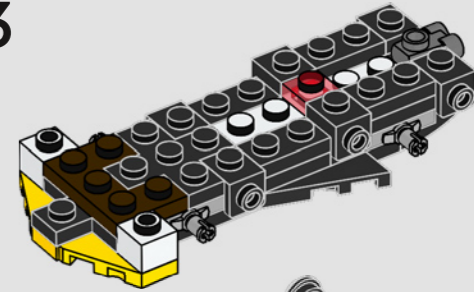
11



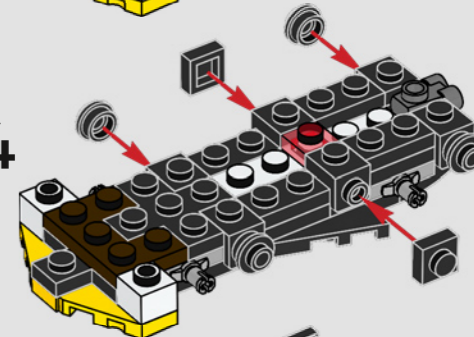
12



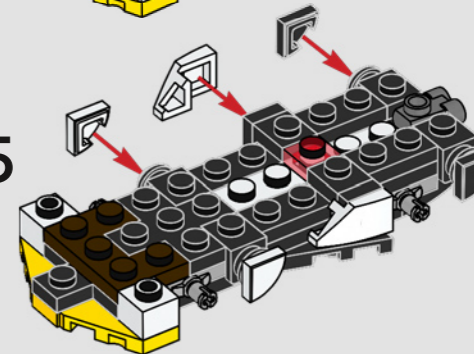
13



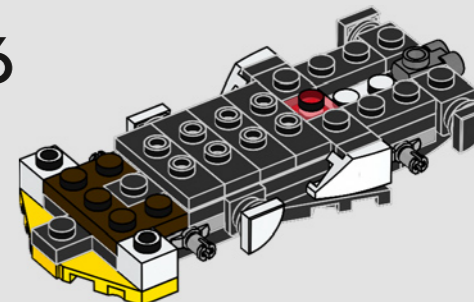
14



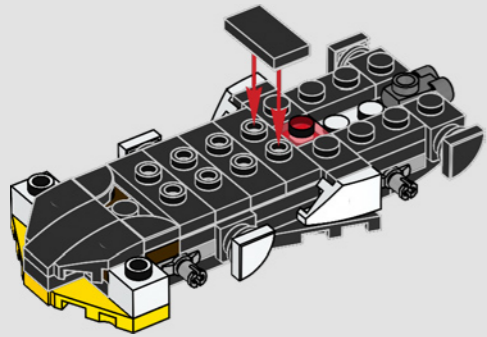
15



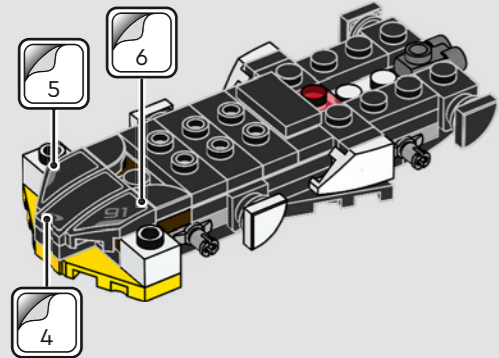
16



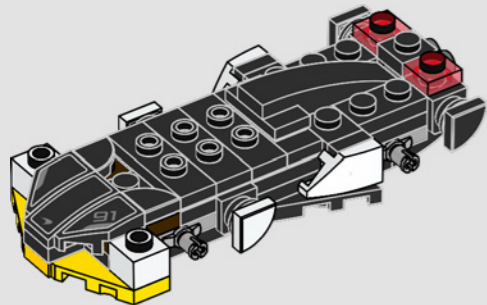
17



18



19



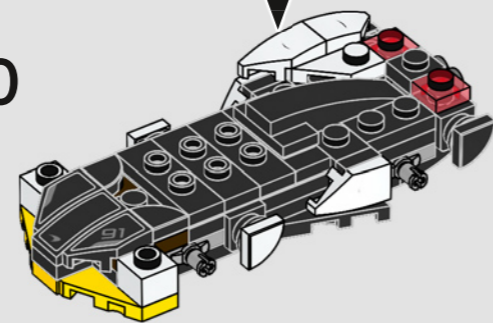
1



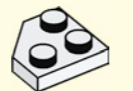
2



20



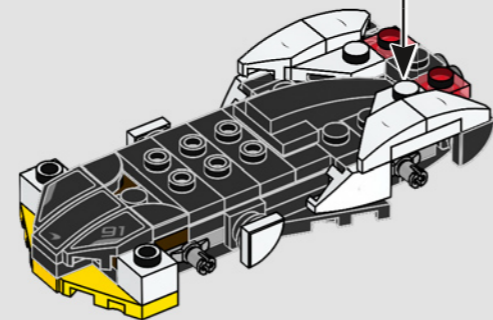
1



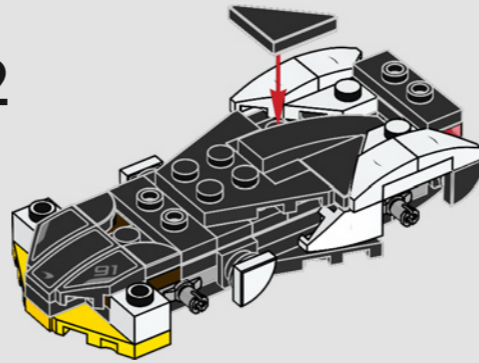
2



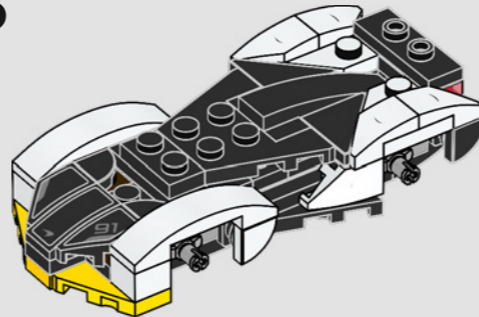
21



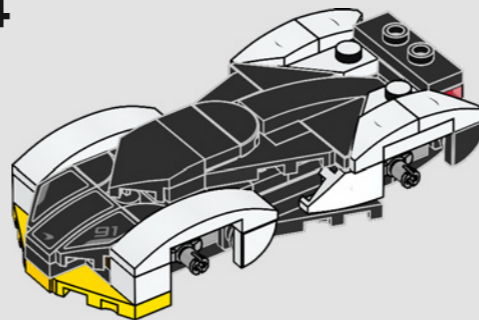
22



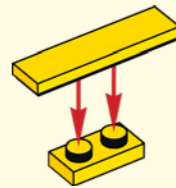
23



24



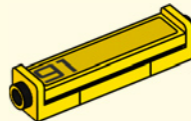
1



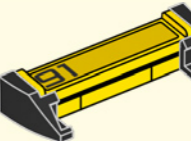
2



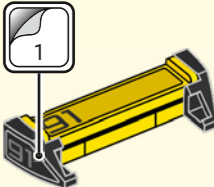
3



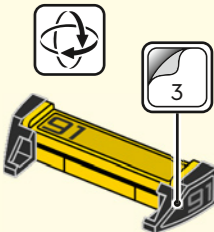
4



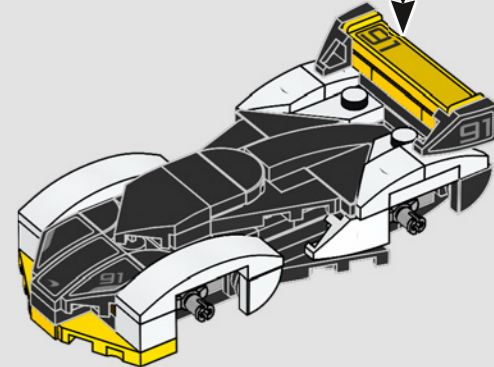
5



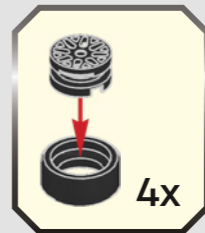
6



25



26



4x

