



Jeep®



Jeep, the Jeep grille and related logos, vehicle model names and trade dress are trademarks of FCA US LLC and used under license by Cobi. ©2015 FCA US LLC.

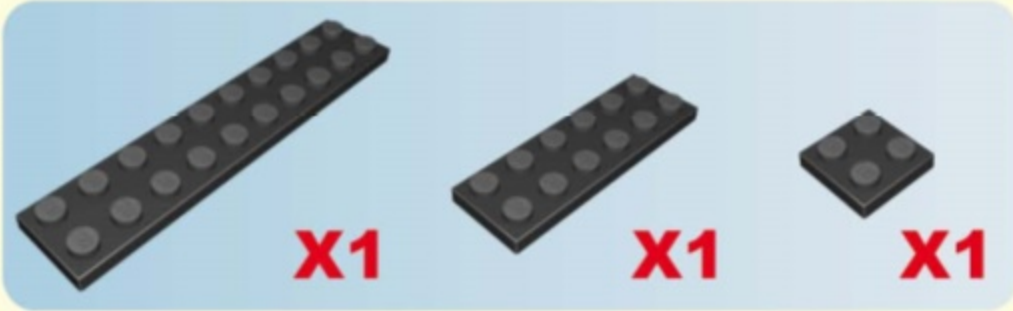
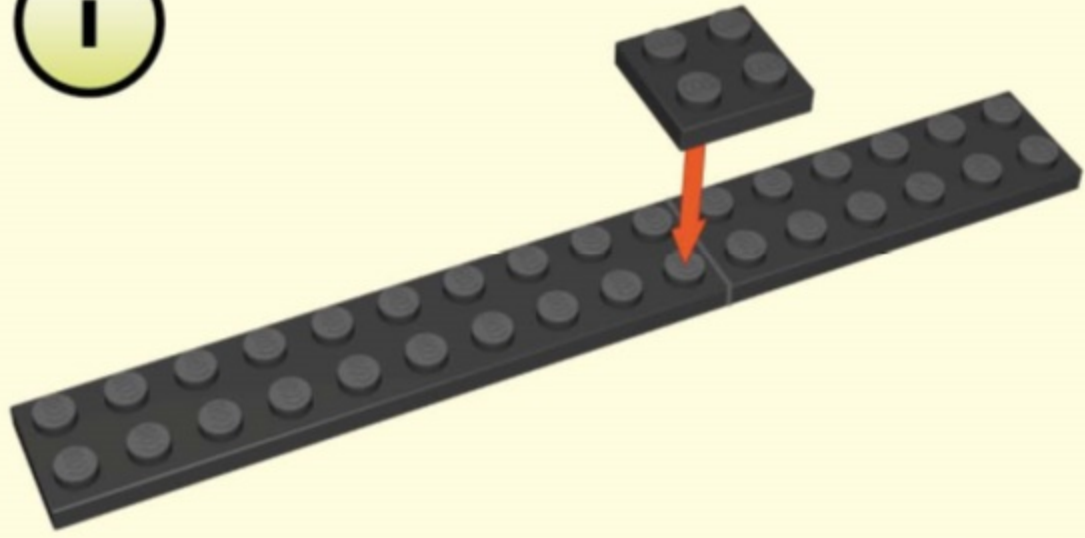


Printed in EU

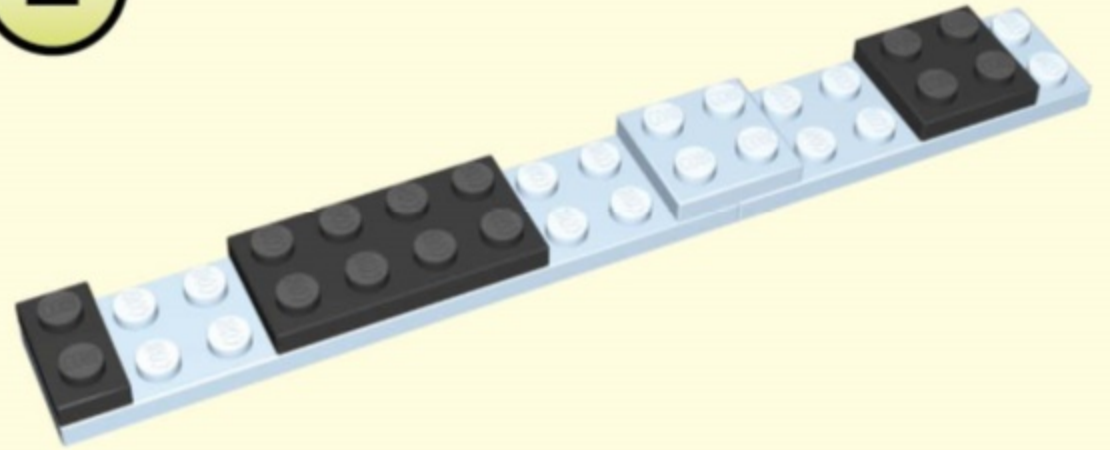


WARNING: CHOKING HAZARD-
Toy contains small parts.
Not for children under 3 years.

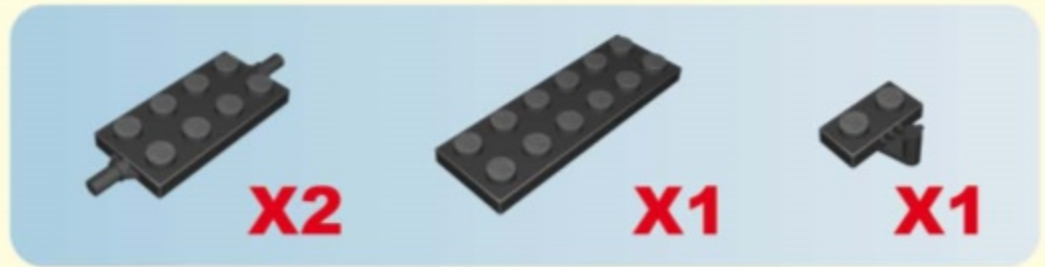
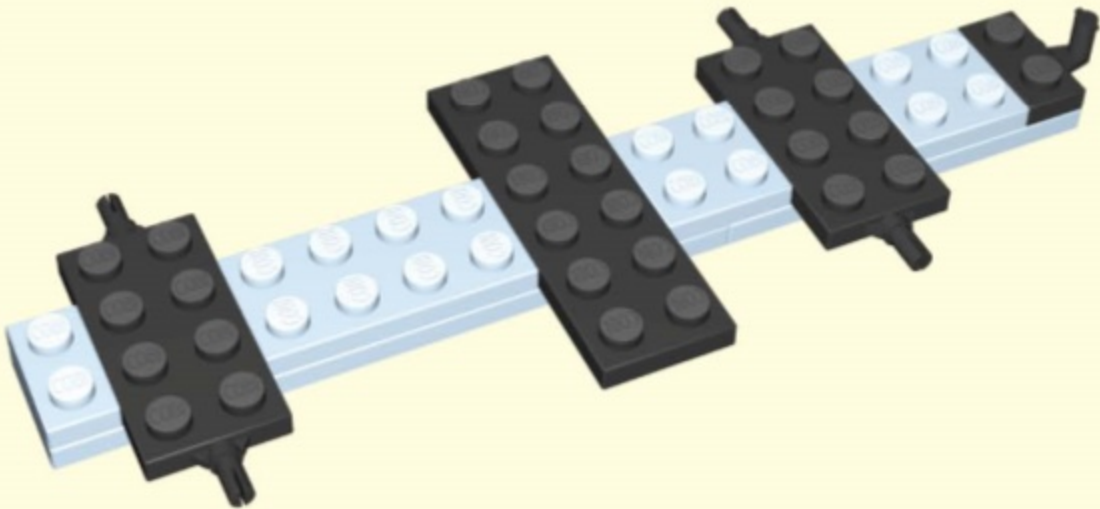
1



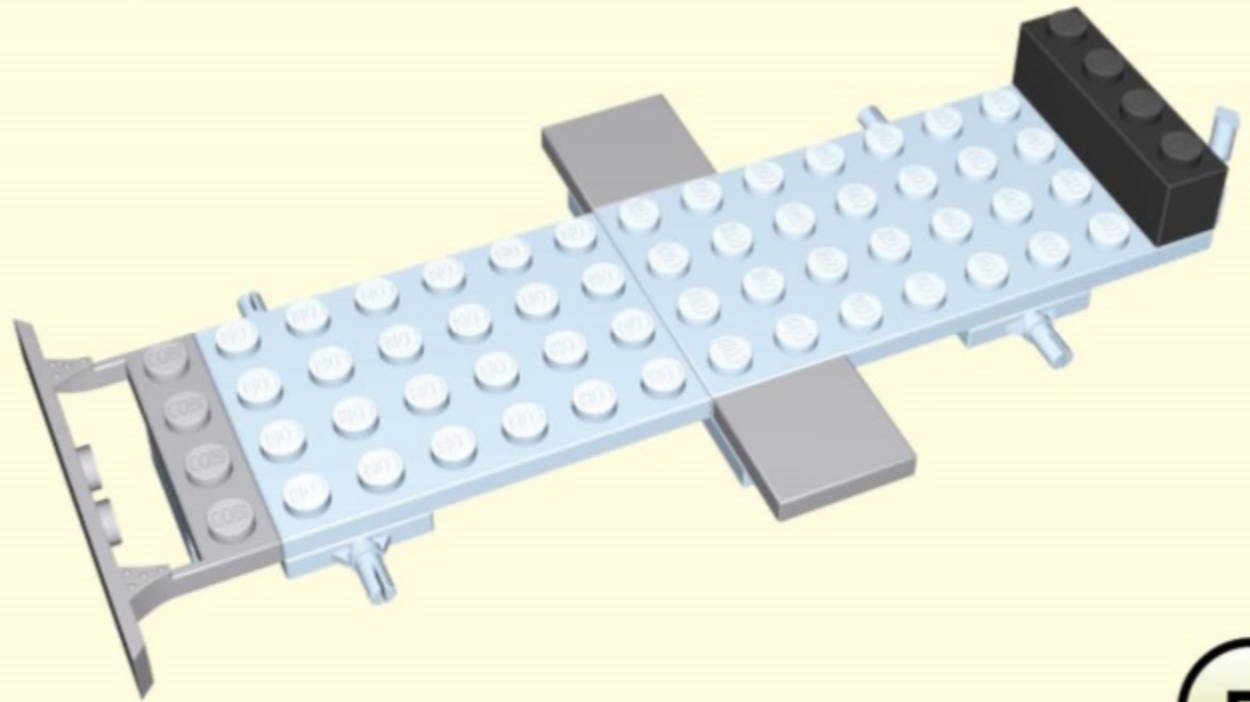
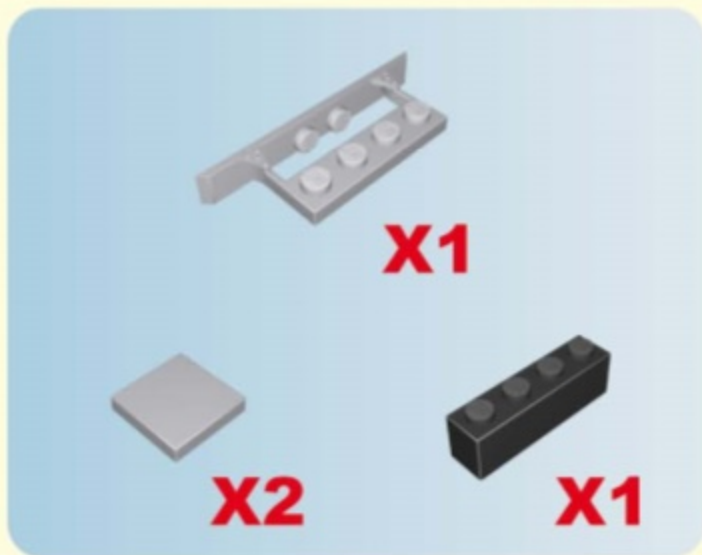
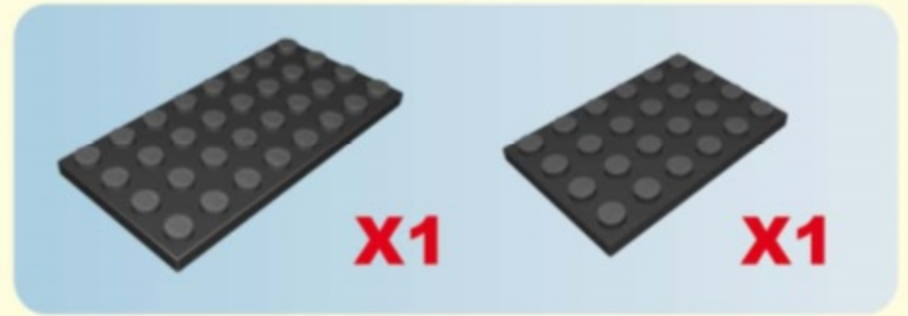
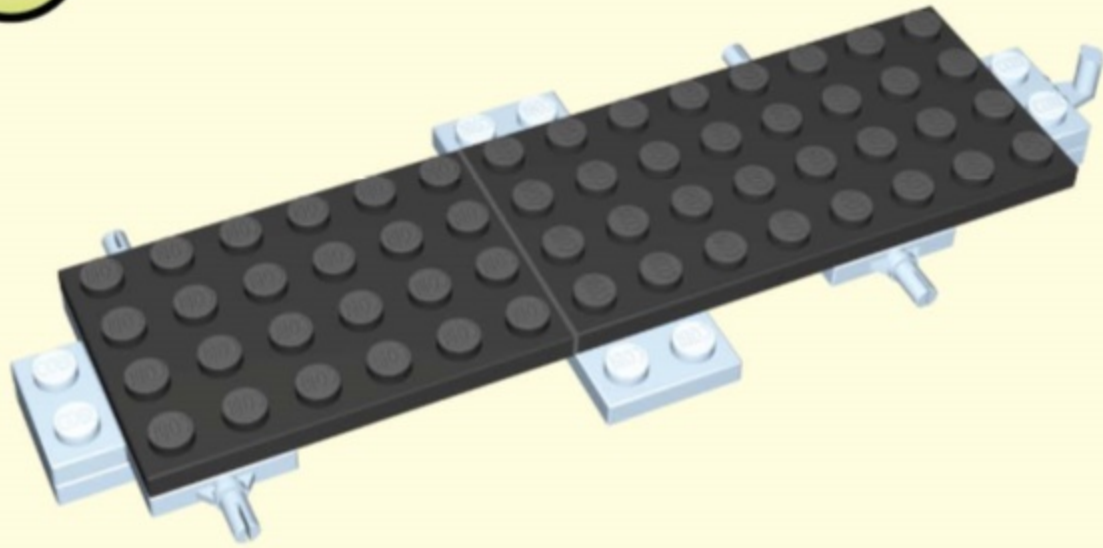
2



3

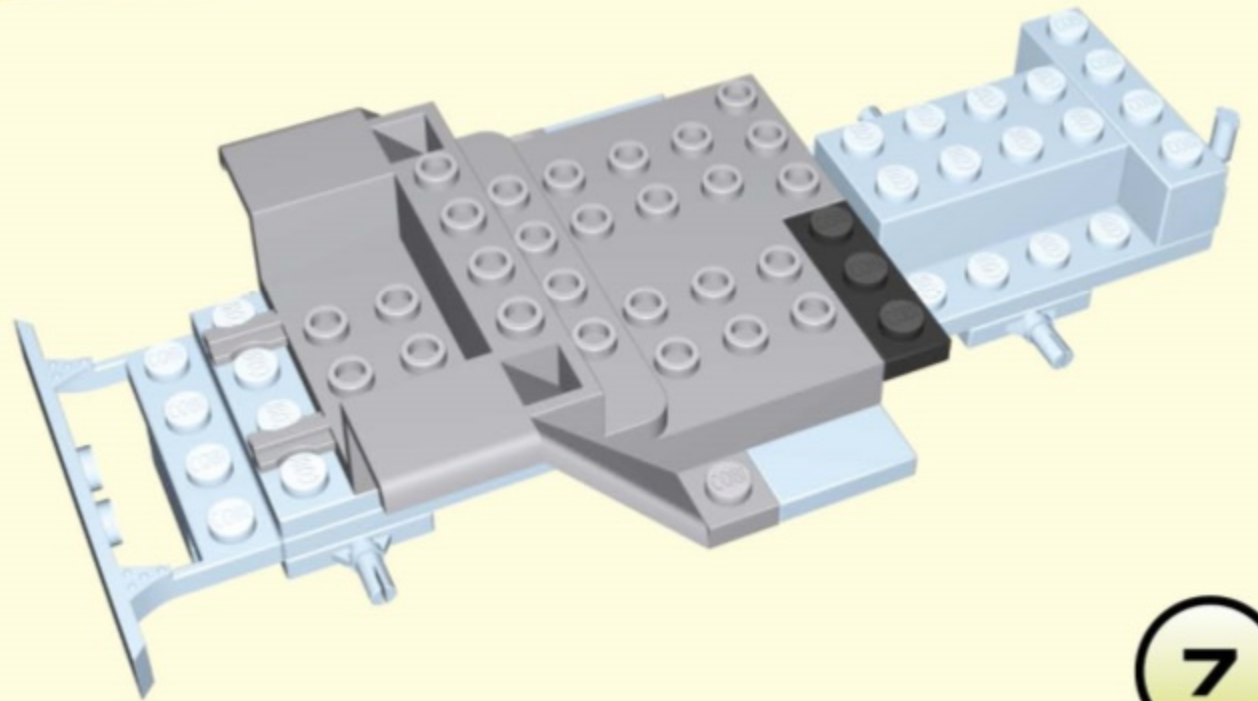
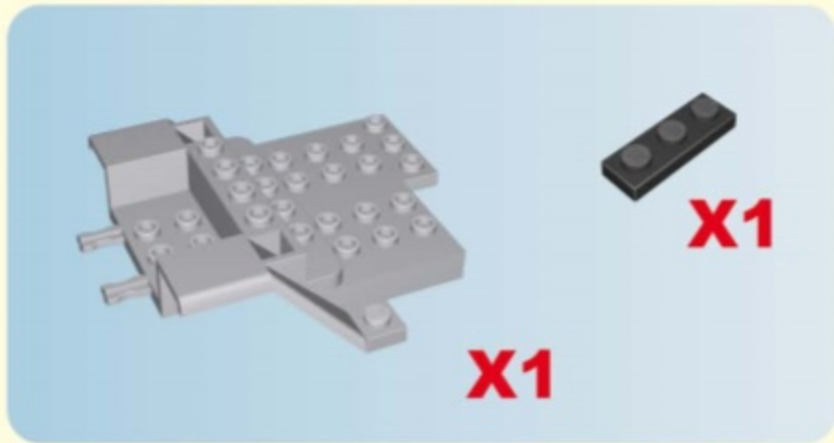
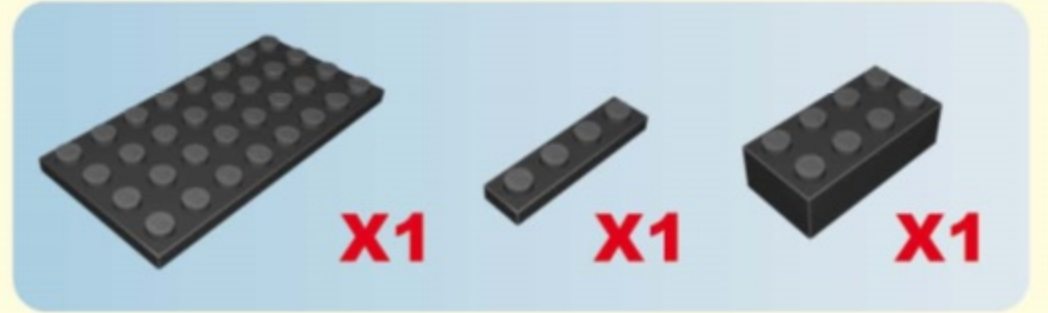
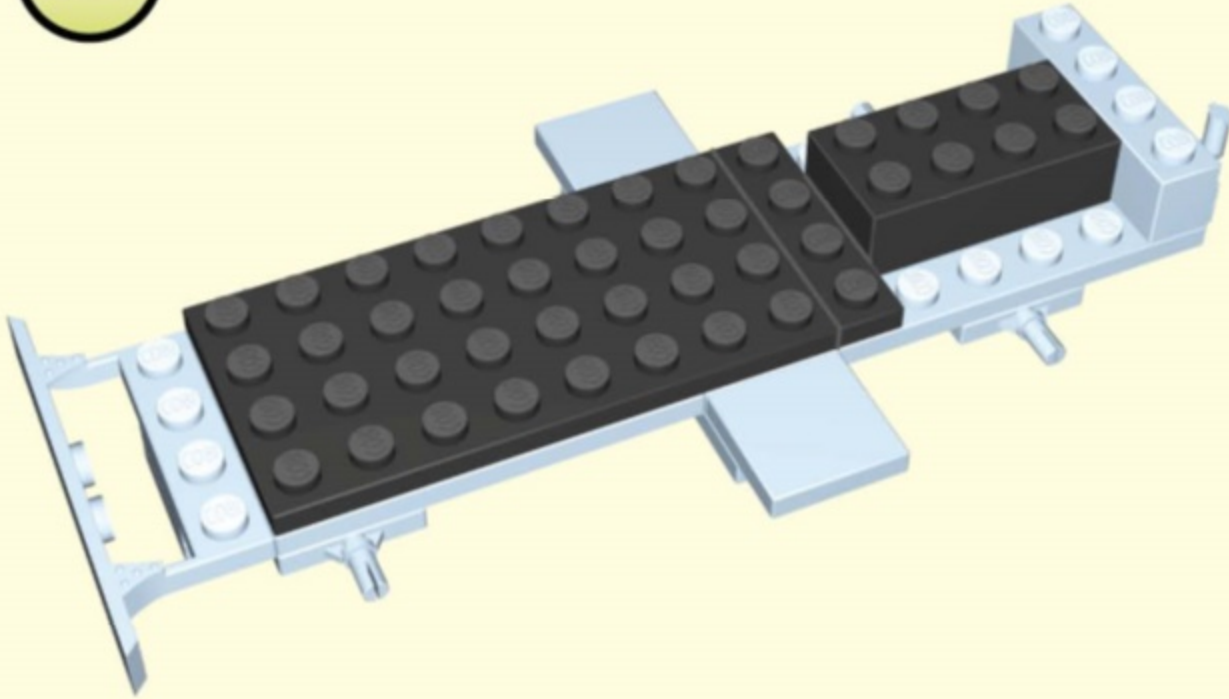


4



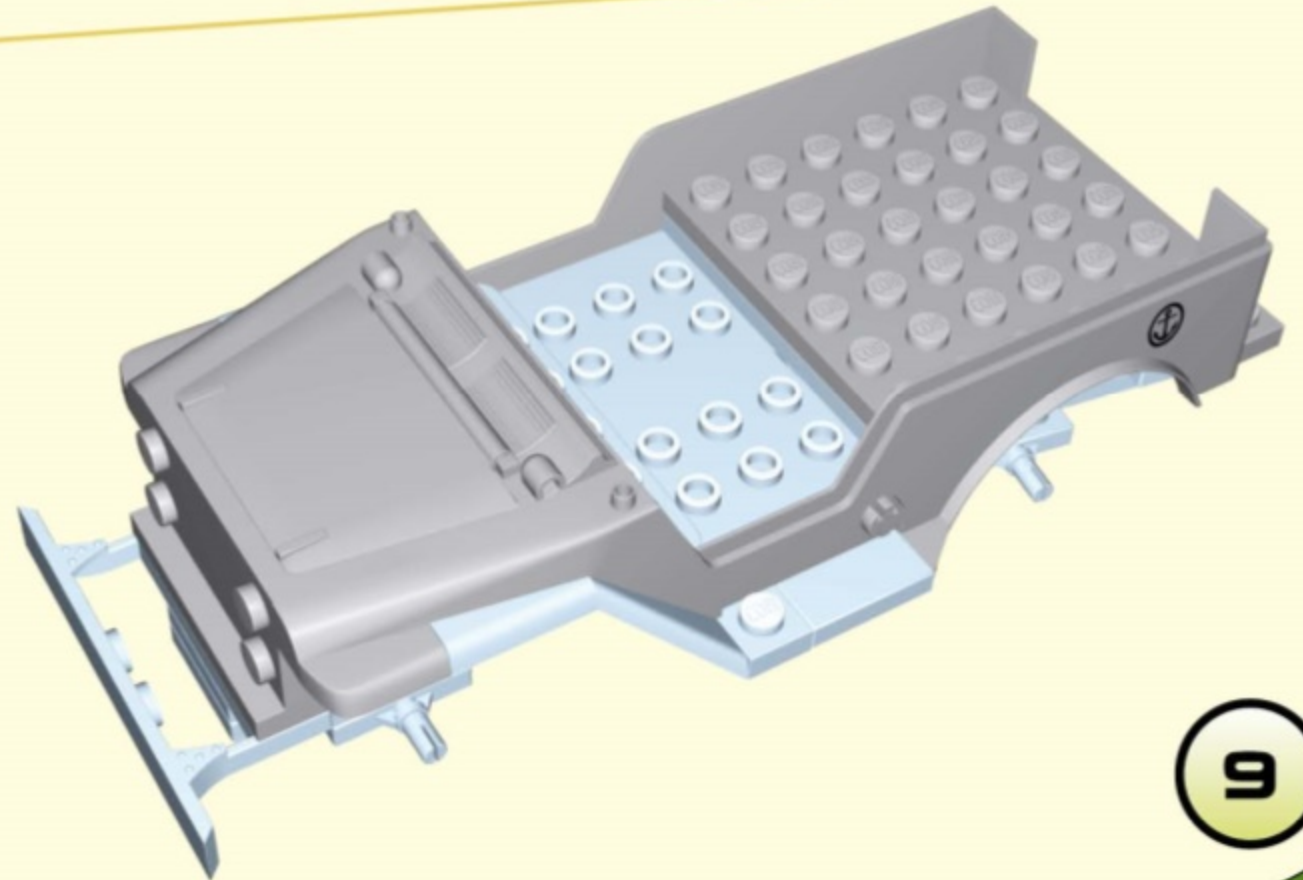
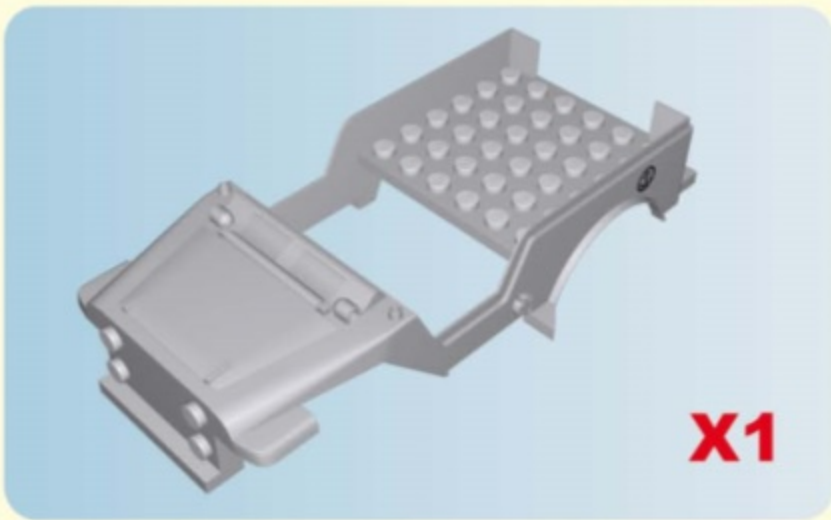
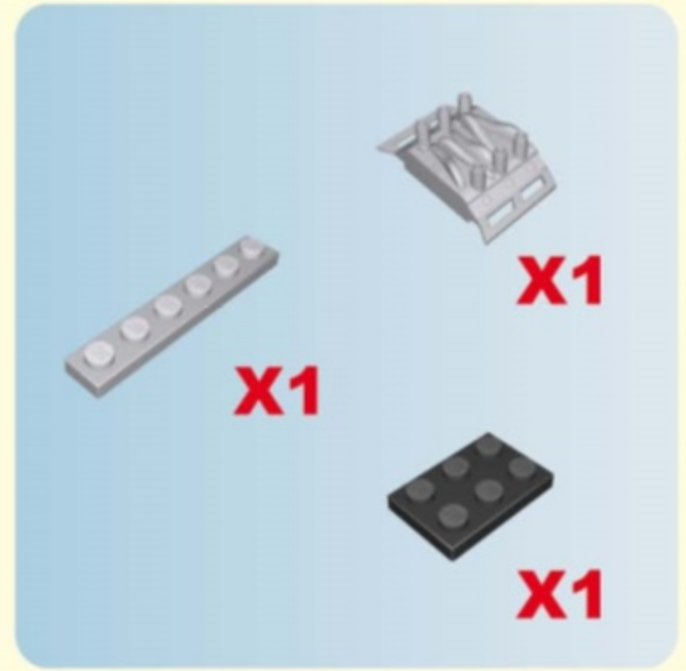
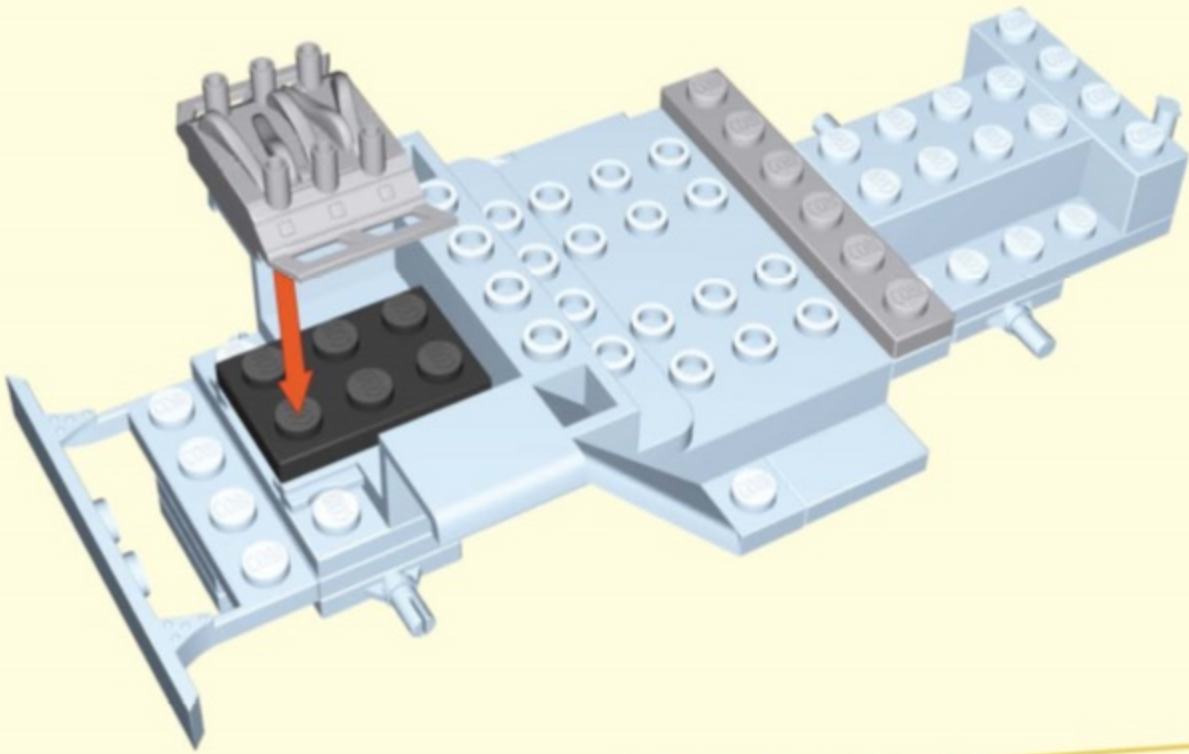
5

6



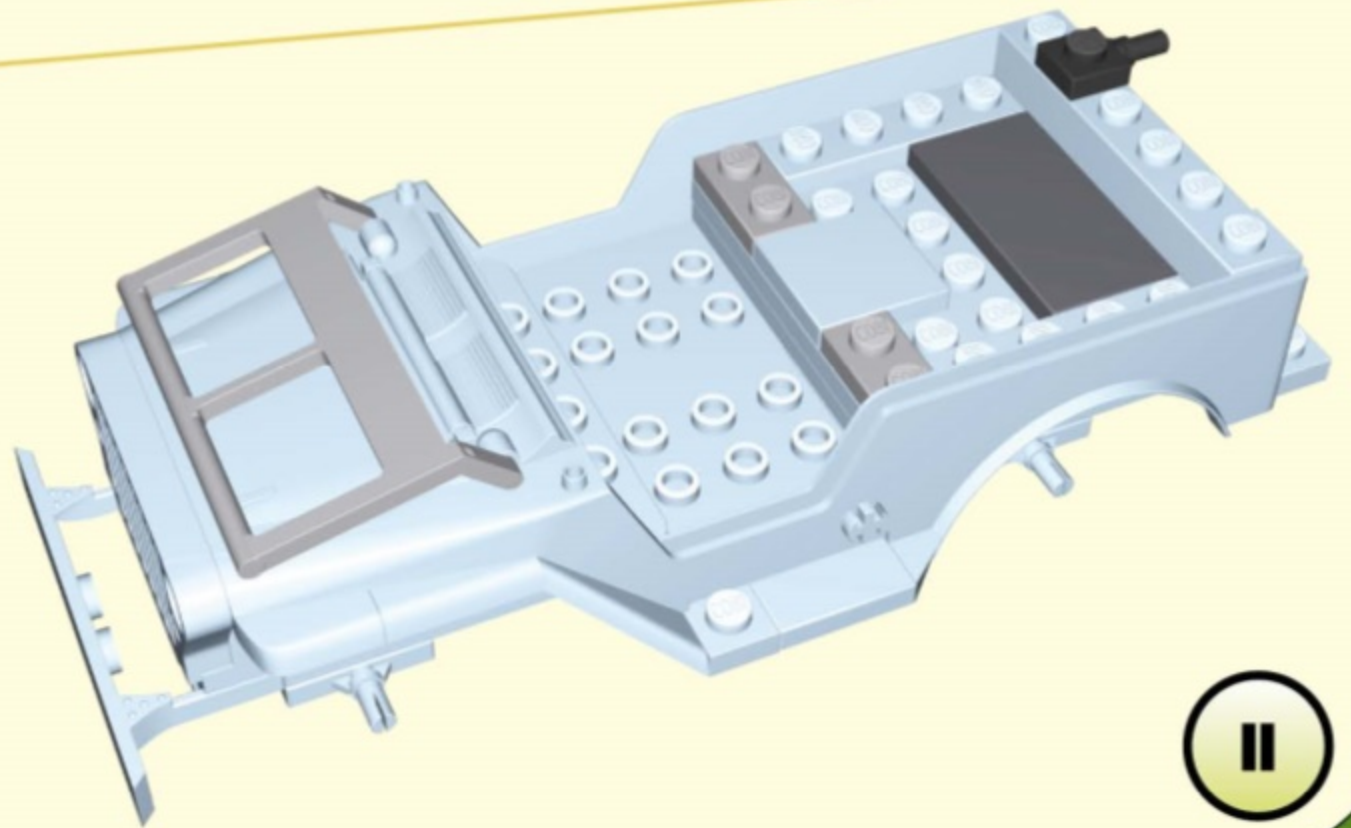
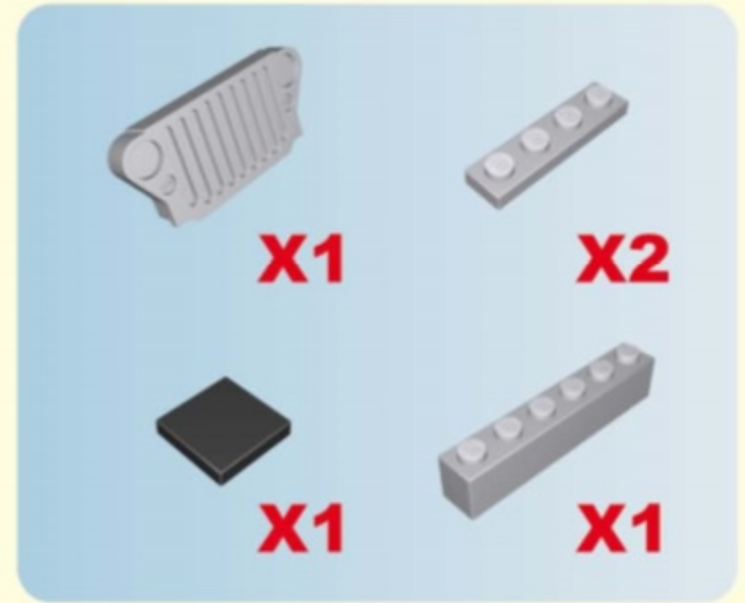
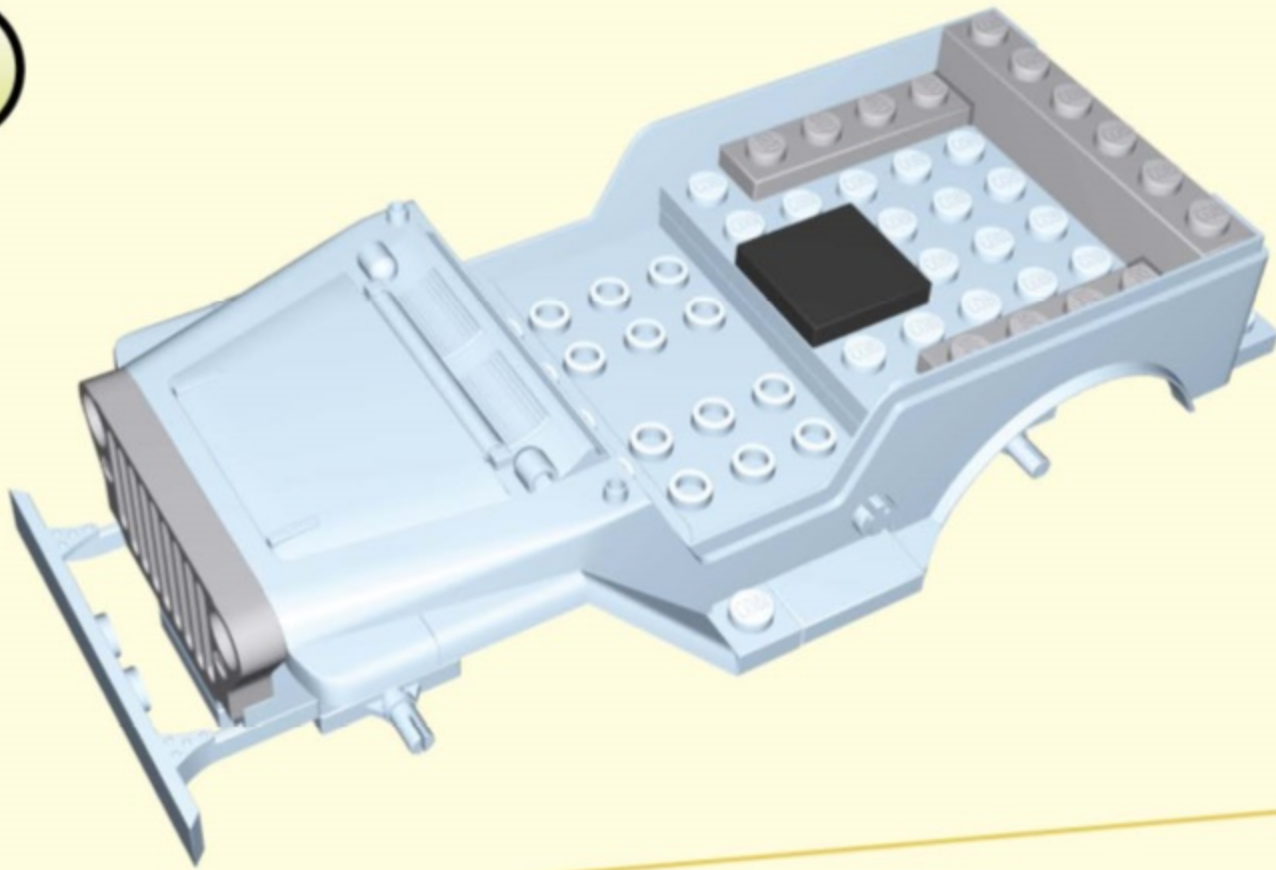
7

8



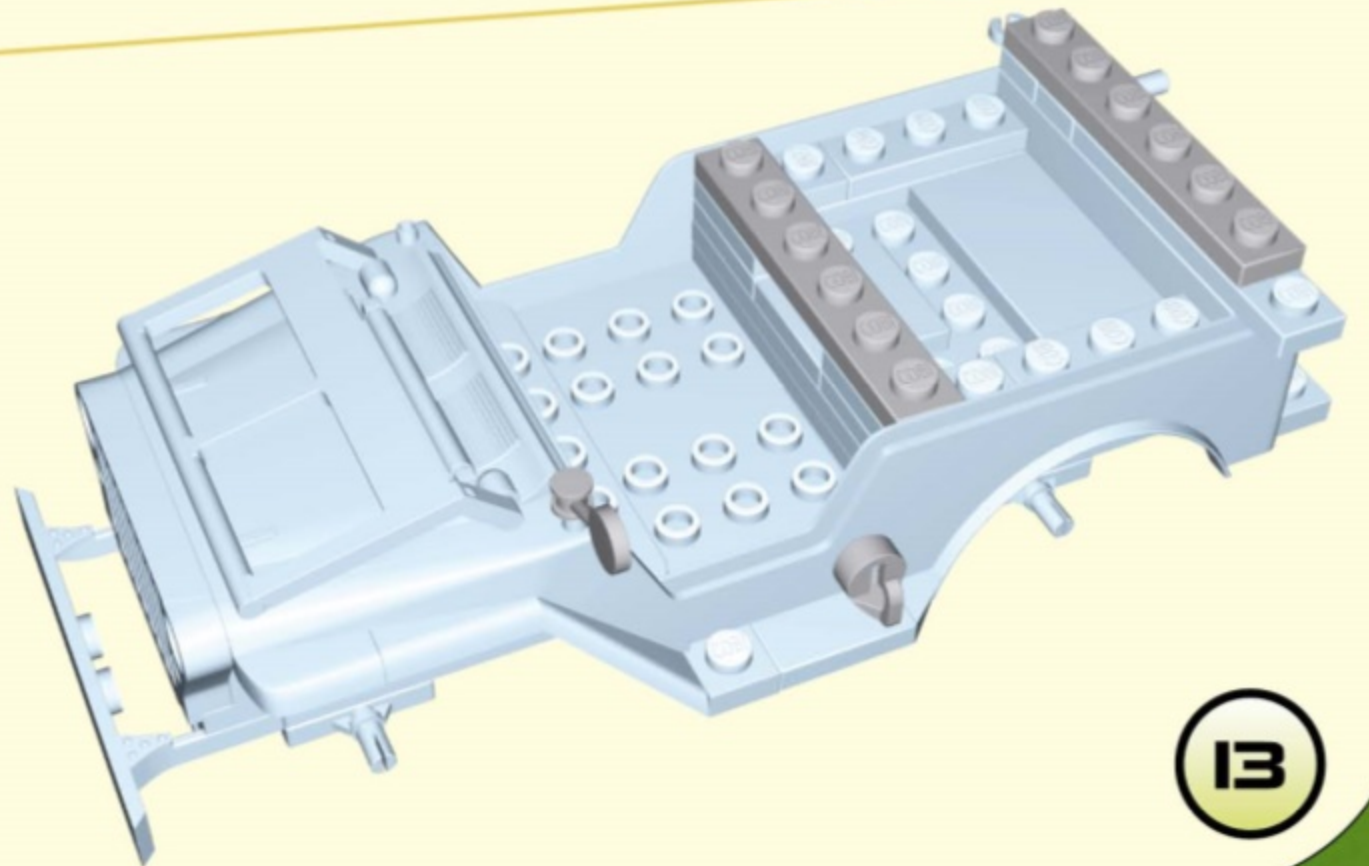
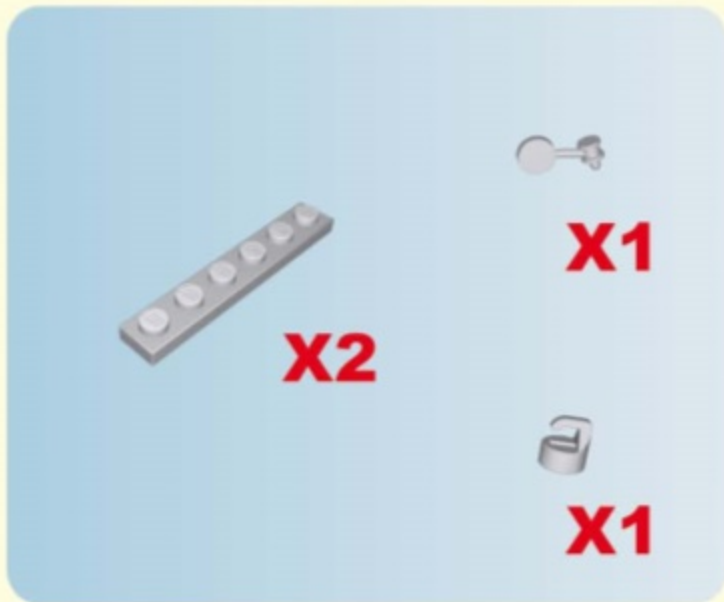
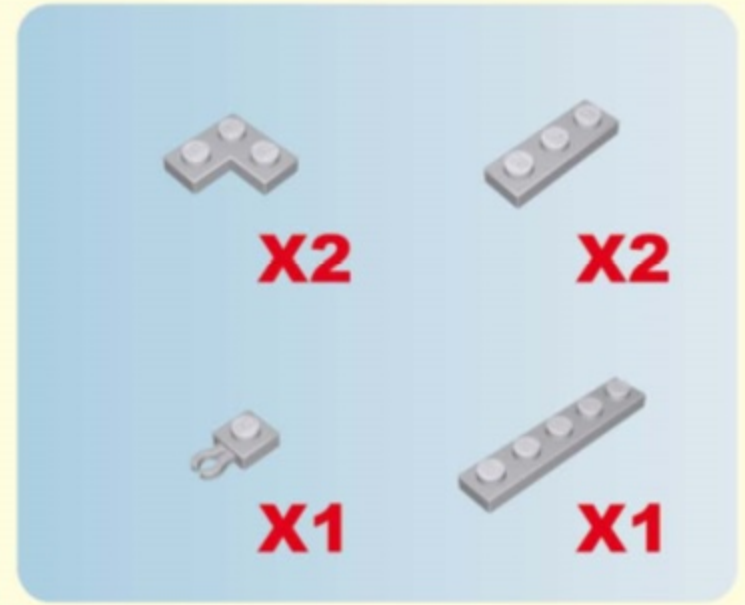
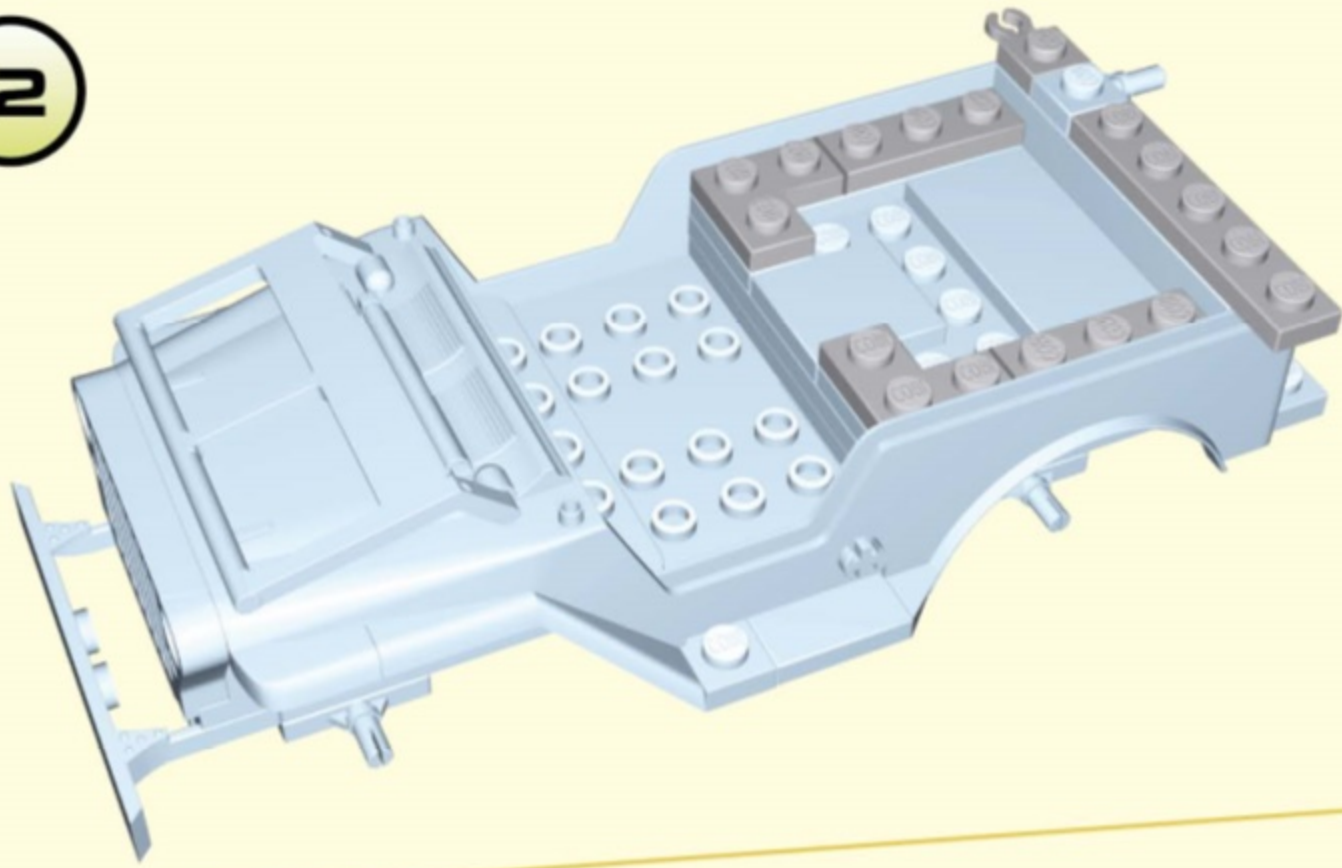
9

10



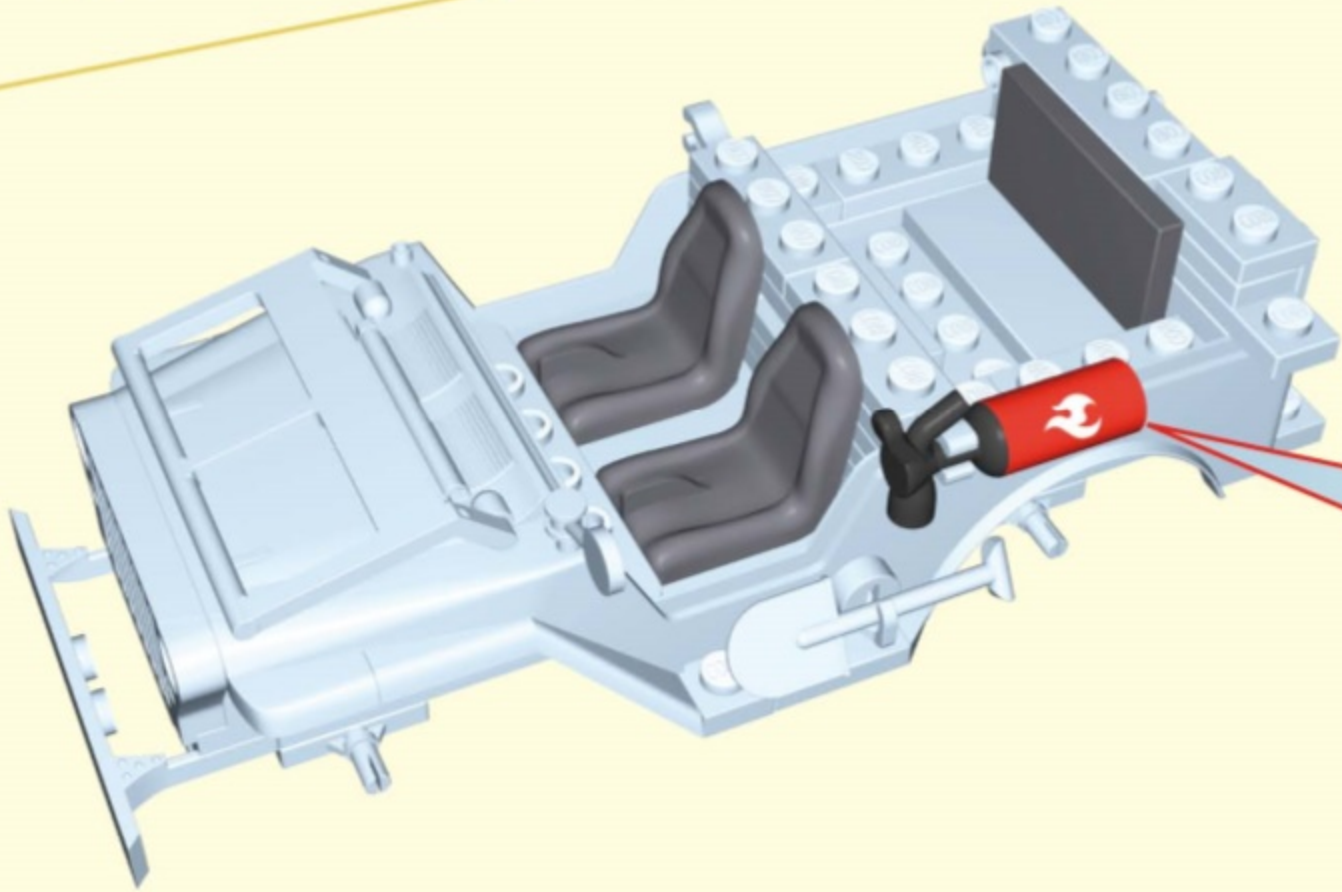
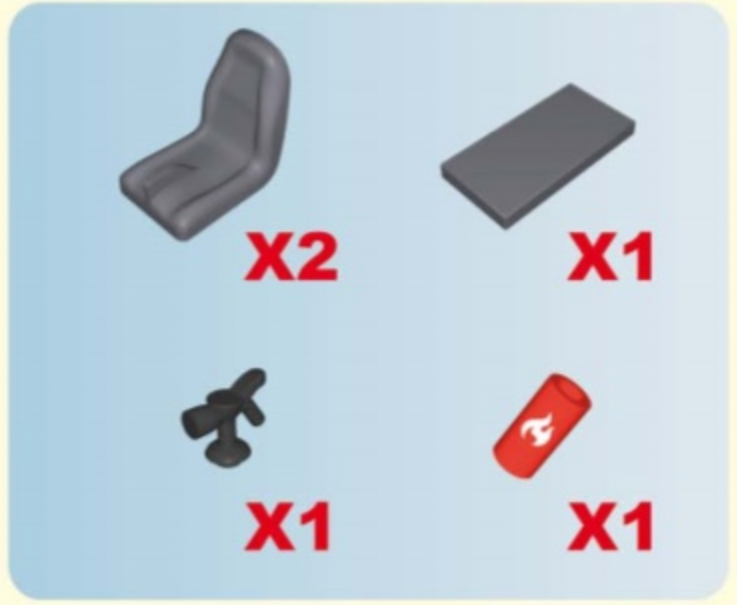
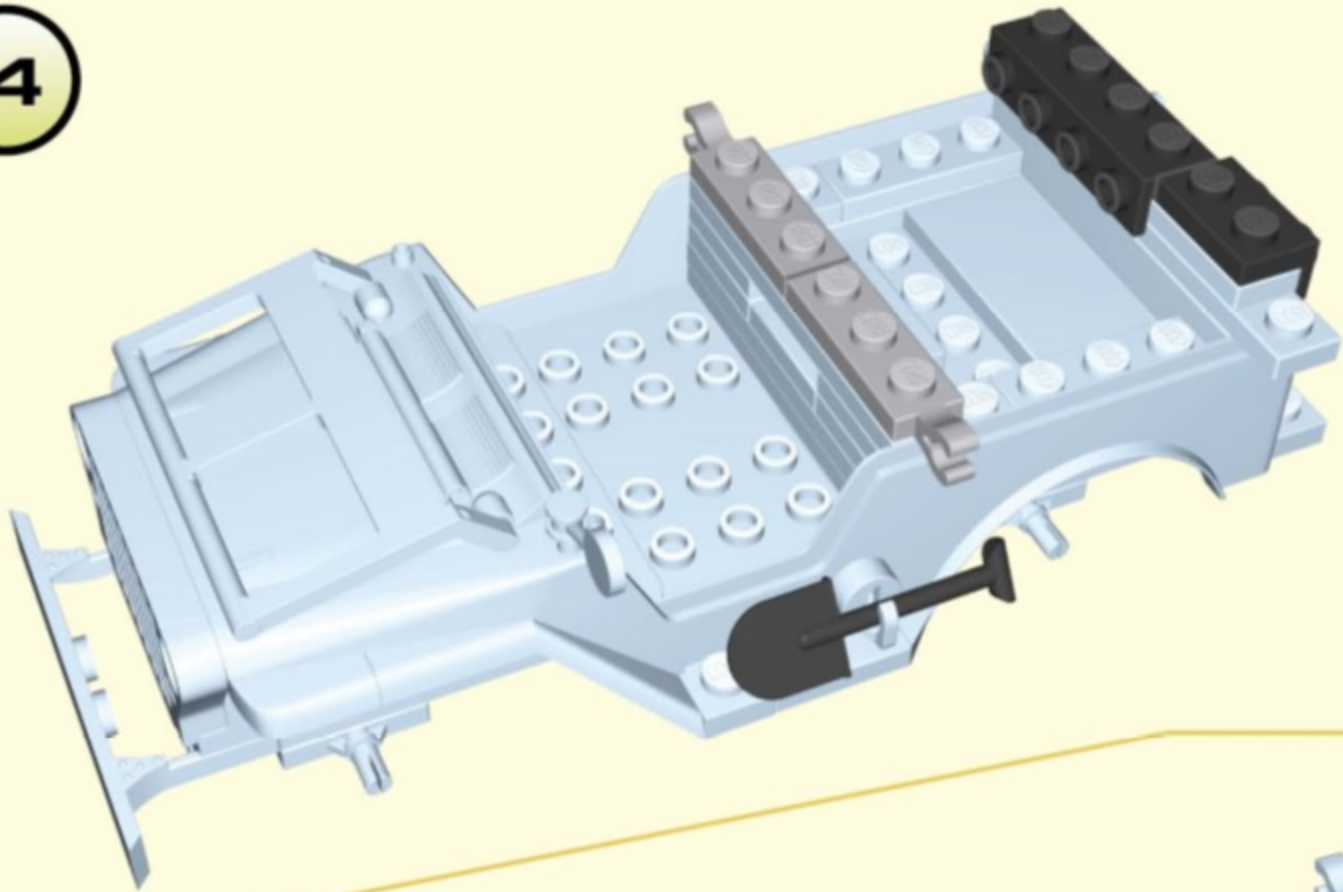
11

12



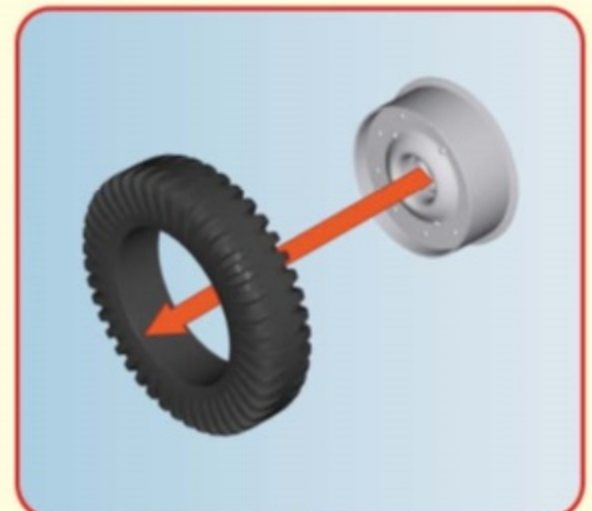
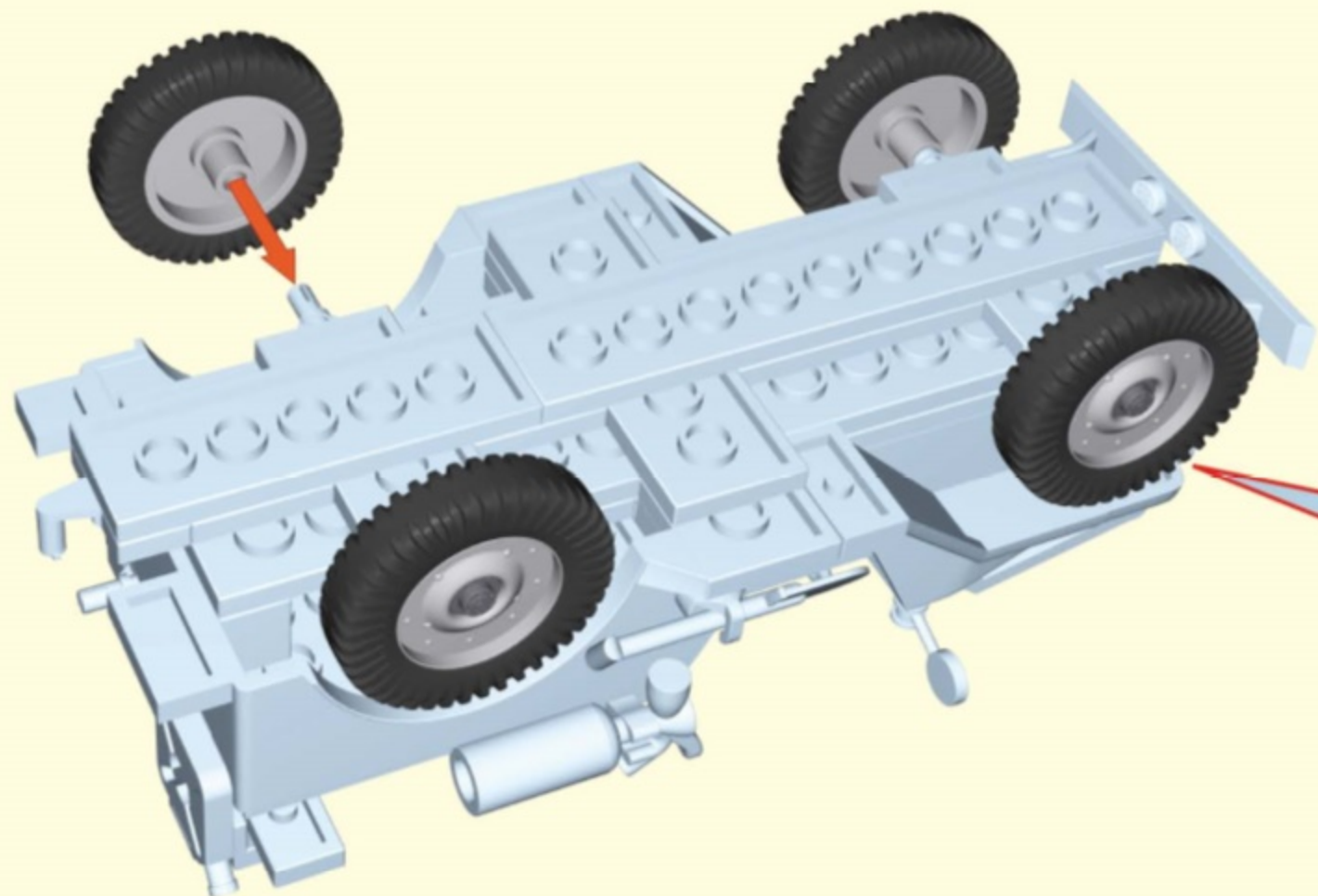
13

14

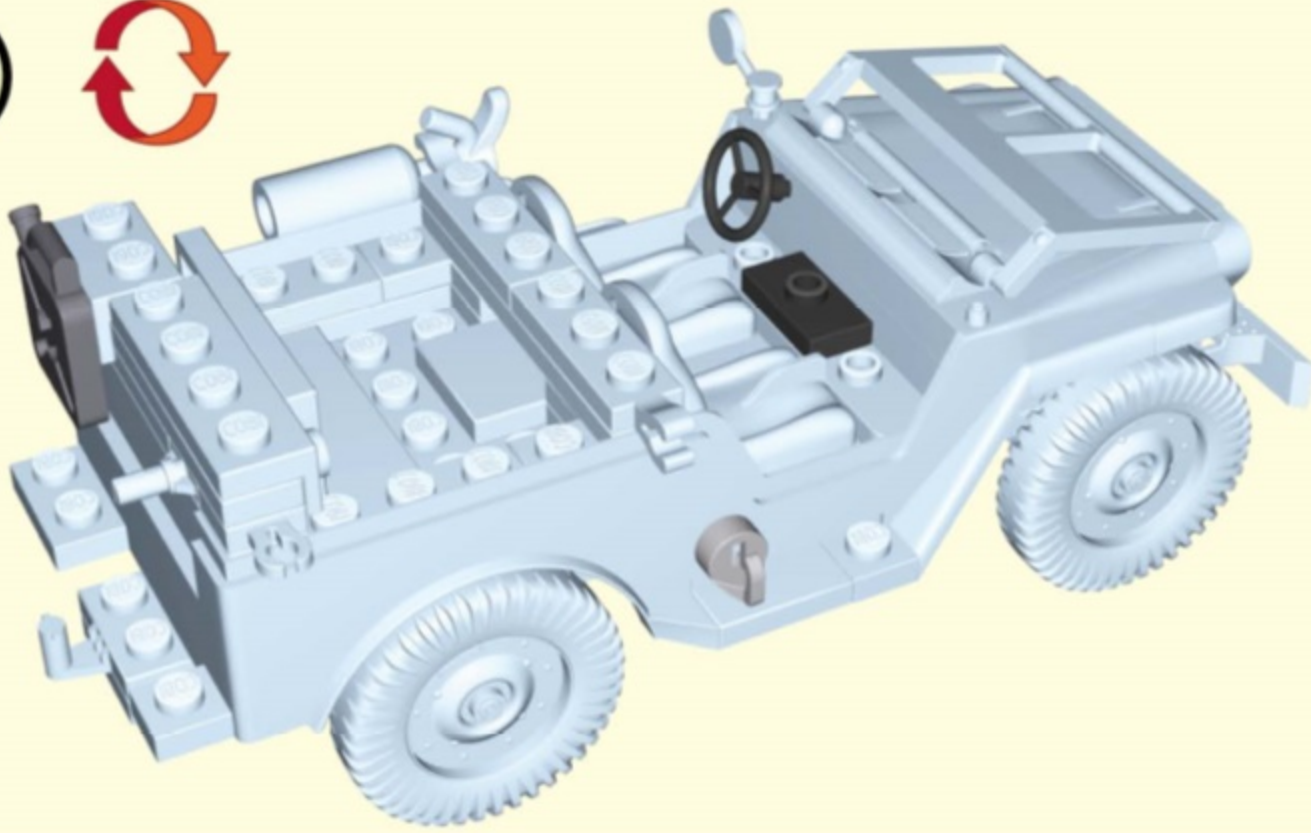


15

16



17



X1



X1



X1



X1

18



X2



X2

19

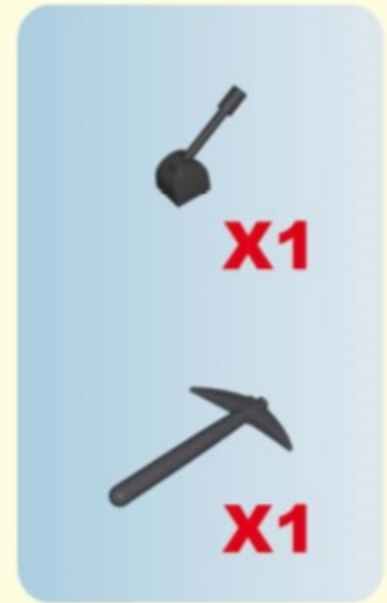
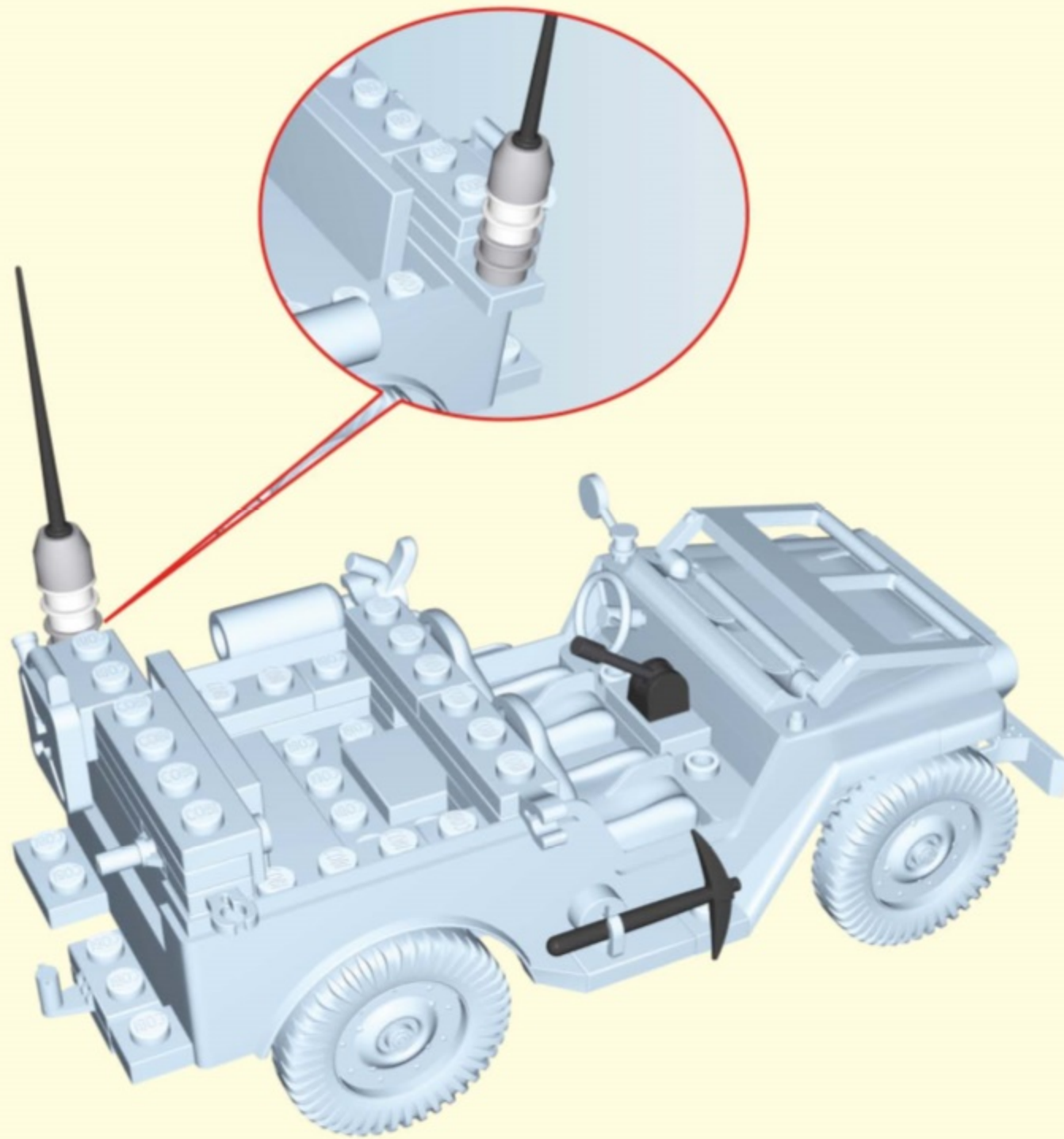


X1

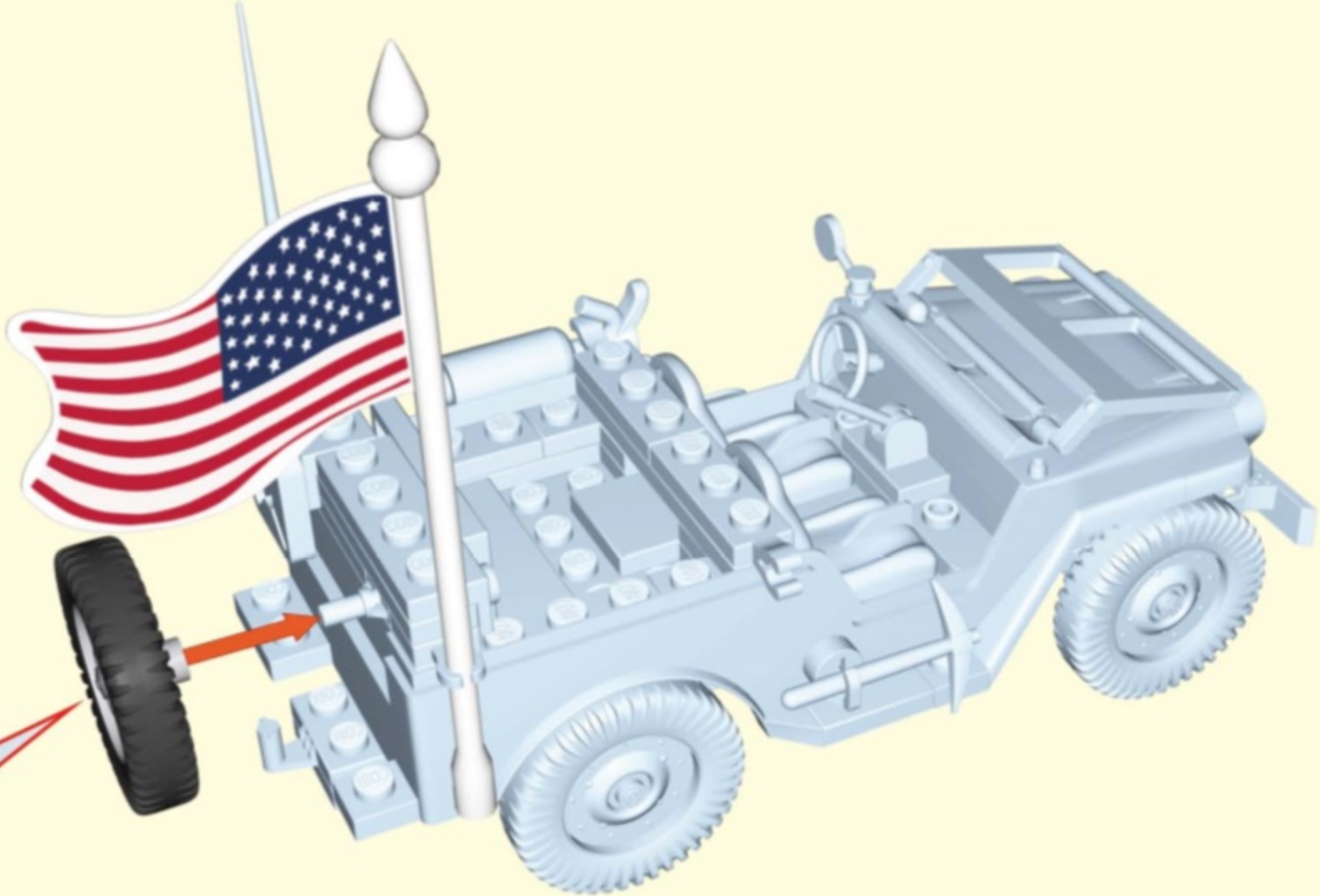
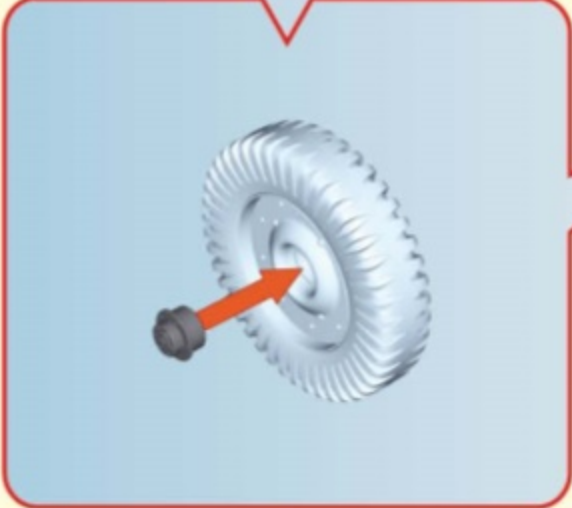


X1

20

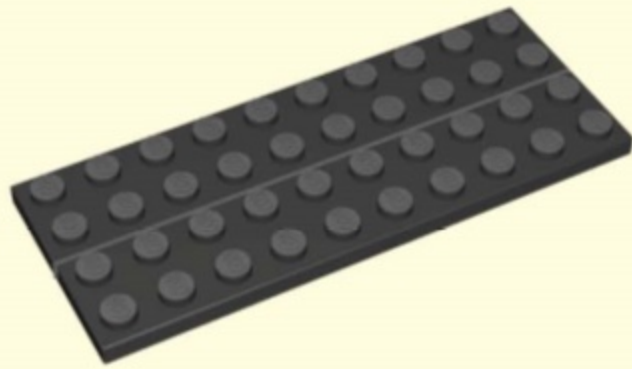


21

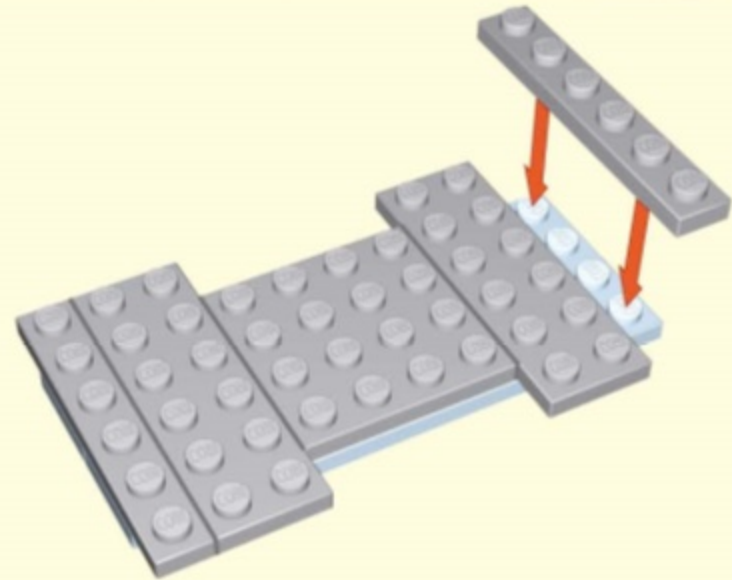


-  **X1**
-  **X1**
-  **X1**
-  **X1**

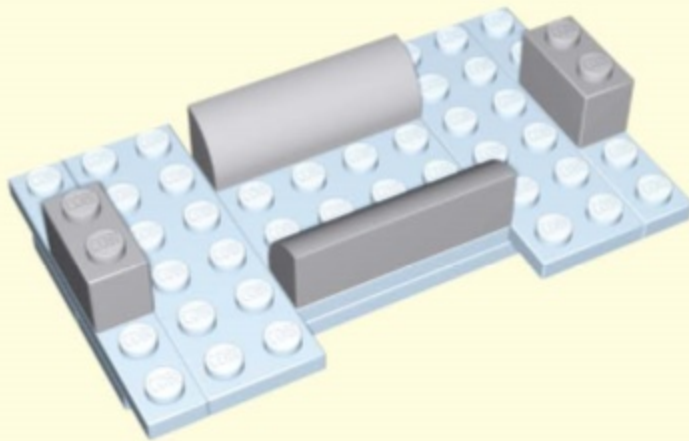
22



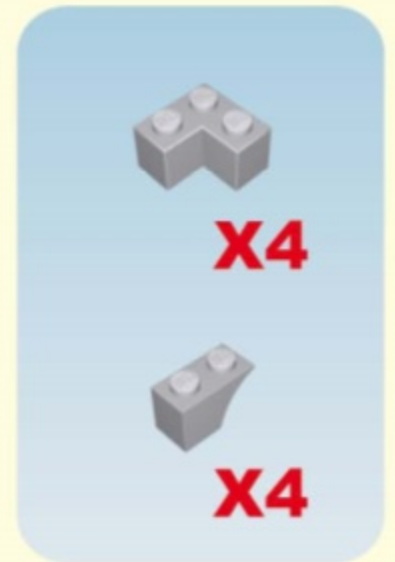
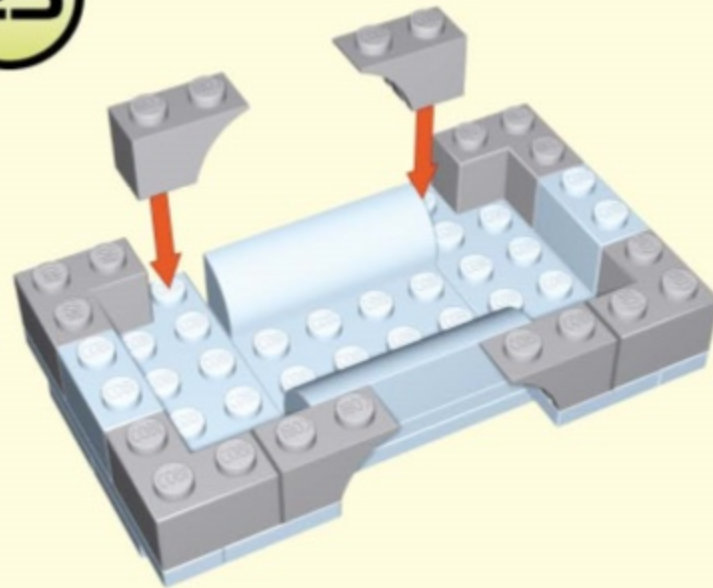
23



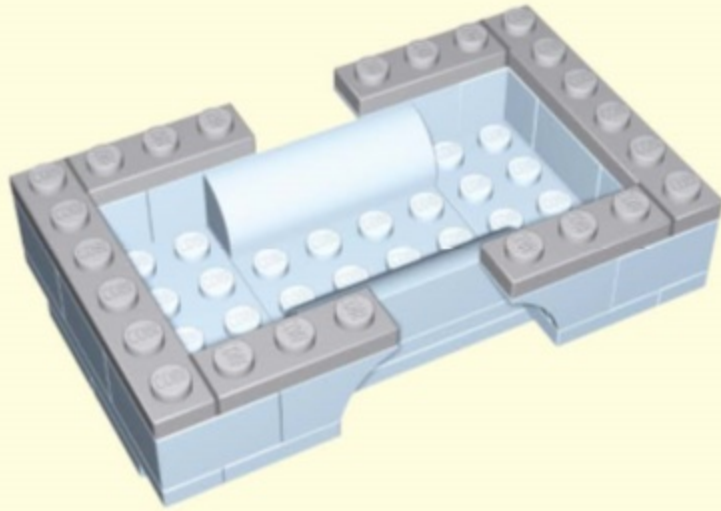
24



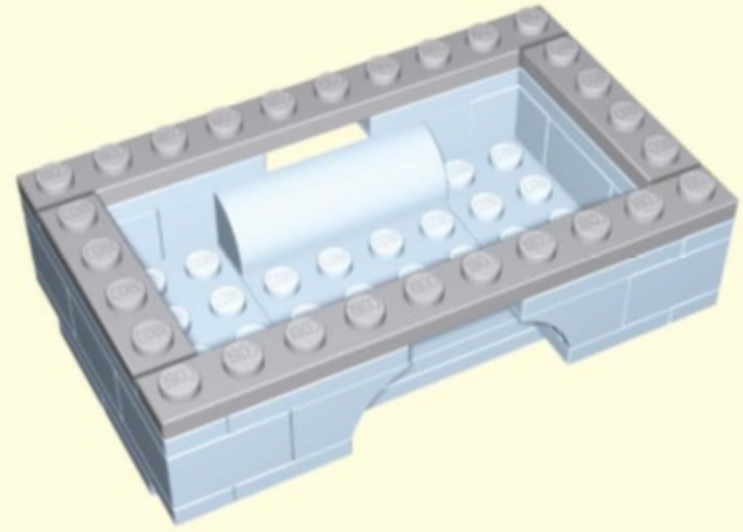
25



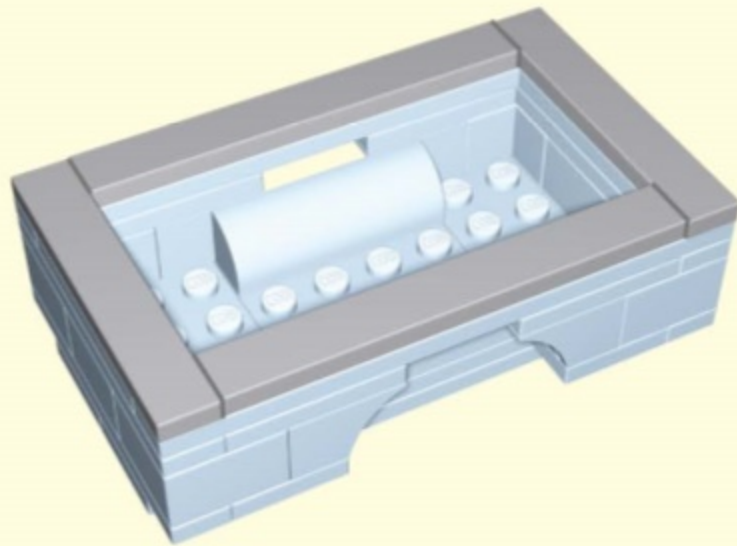
26



27



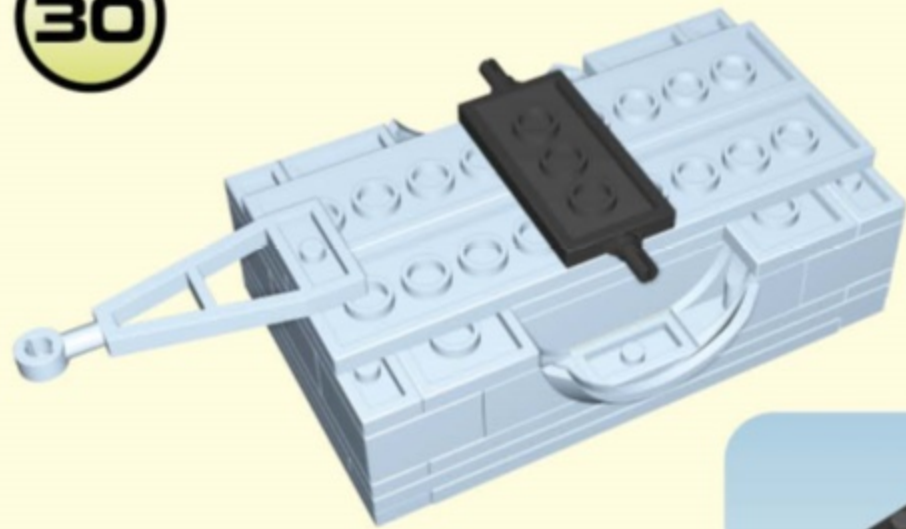
28



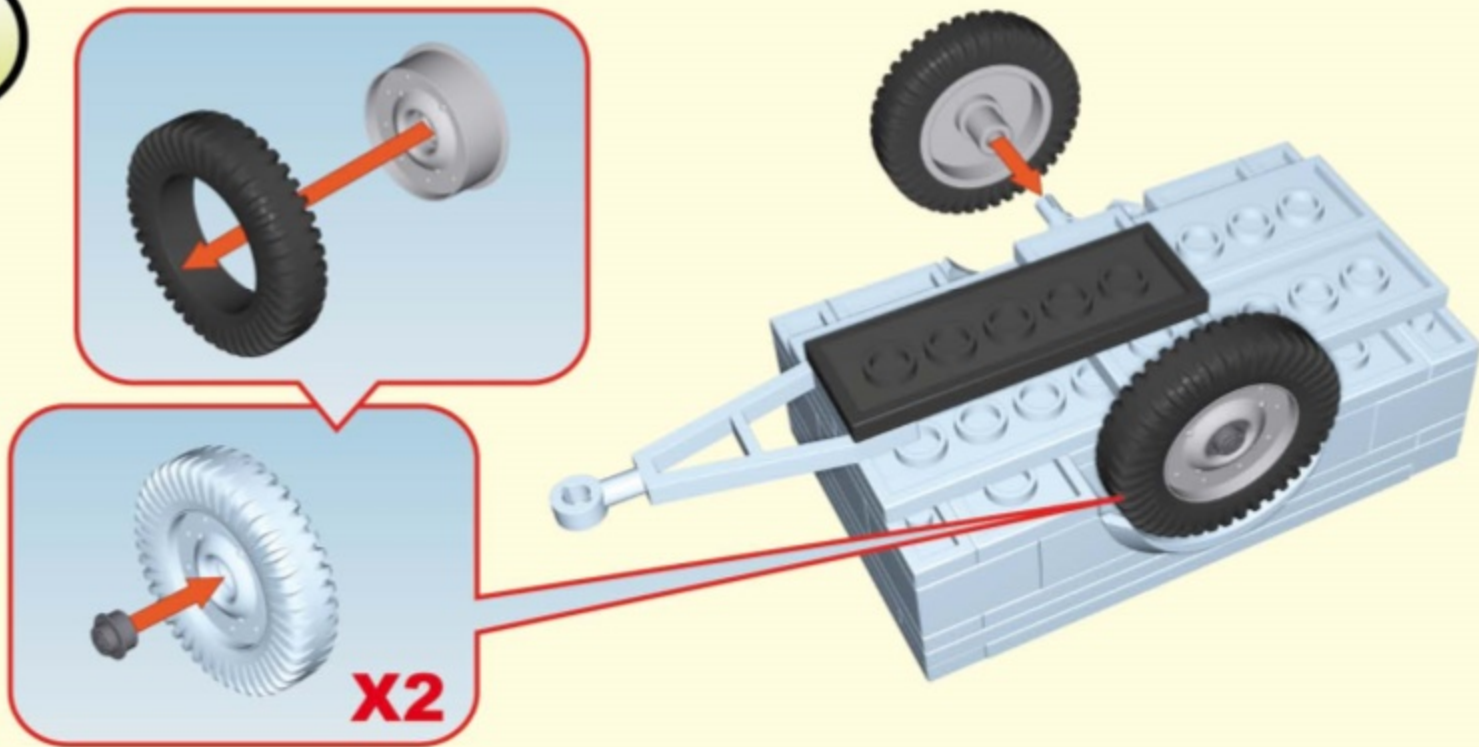
29



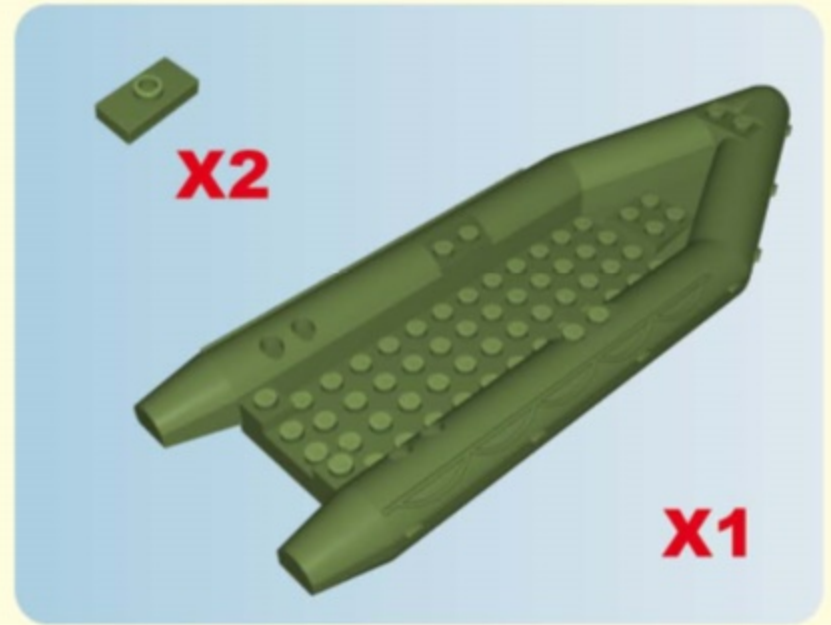
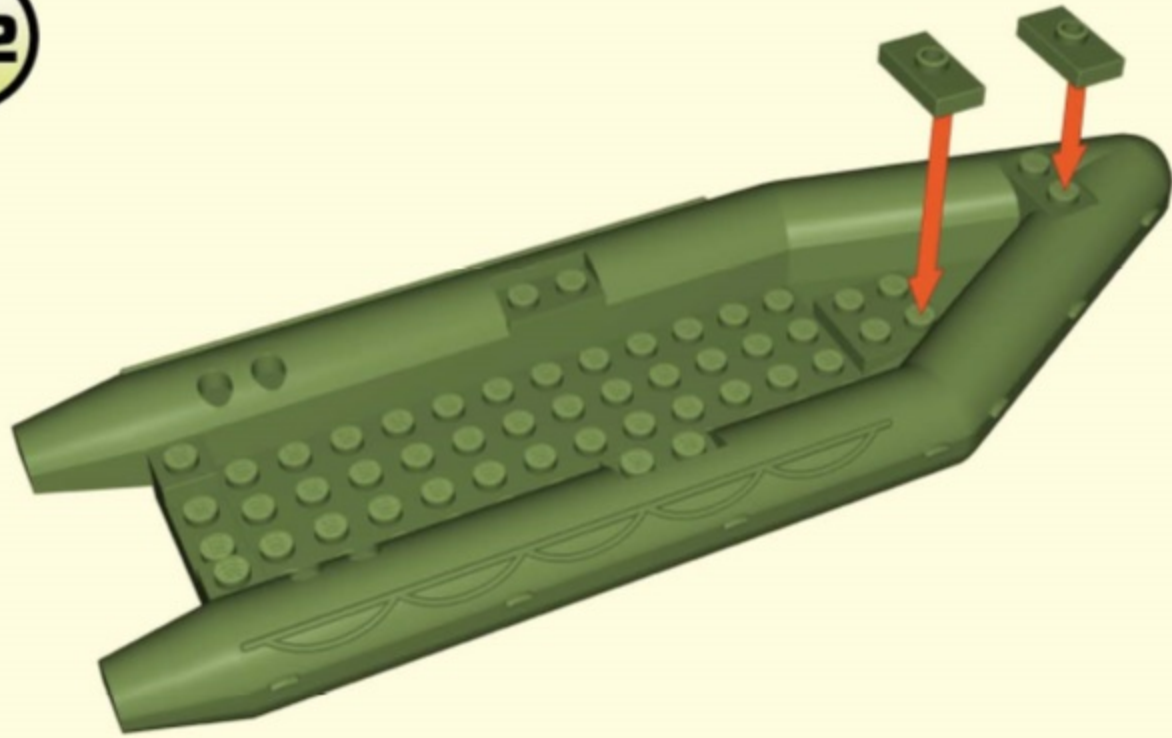
30



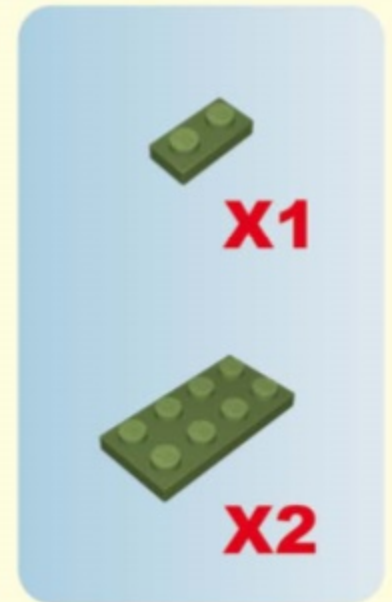
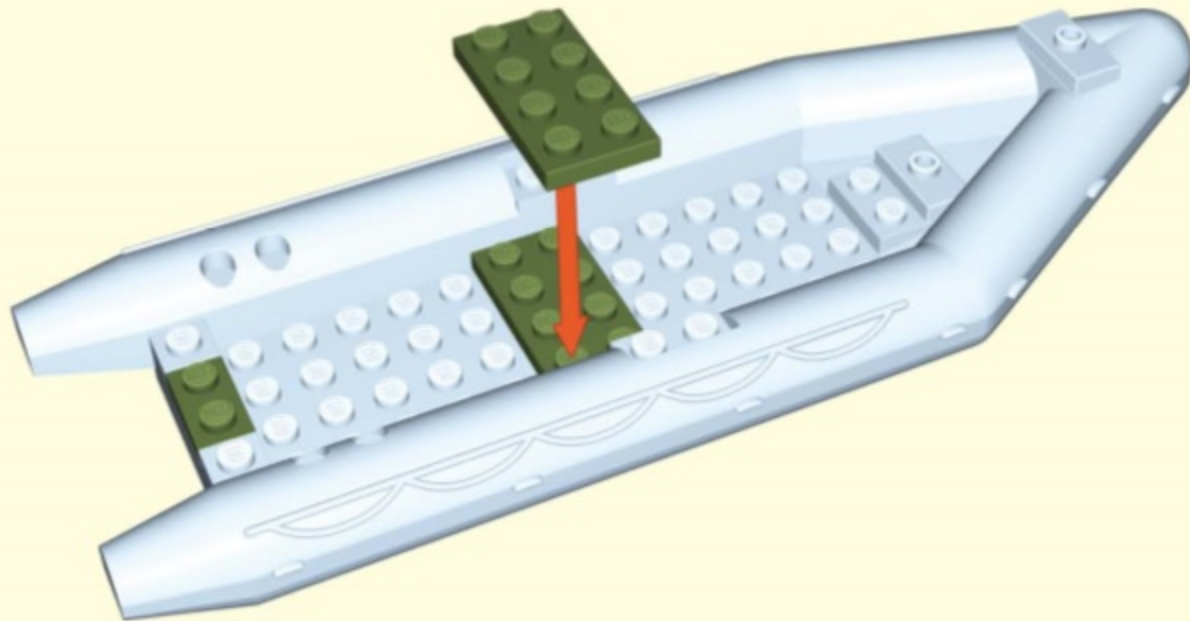
31



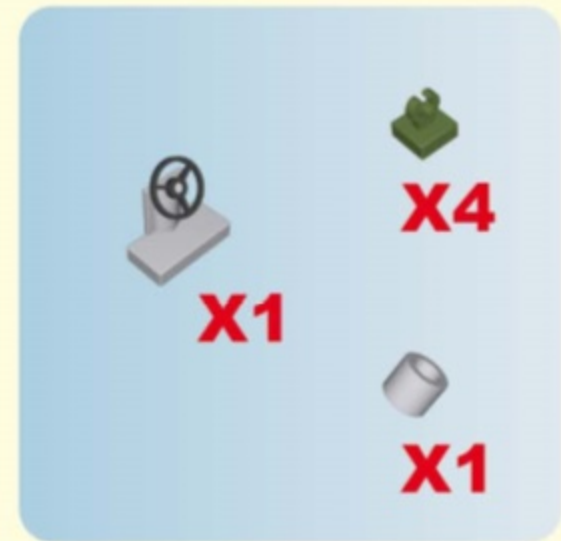
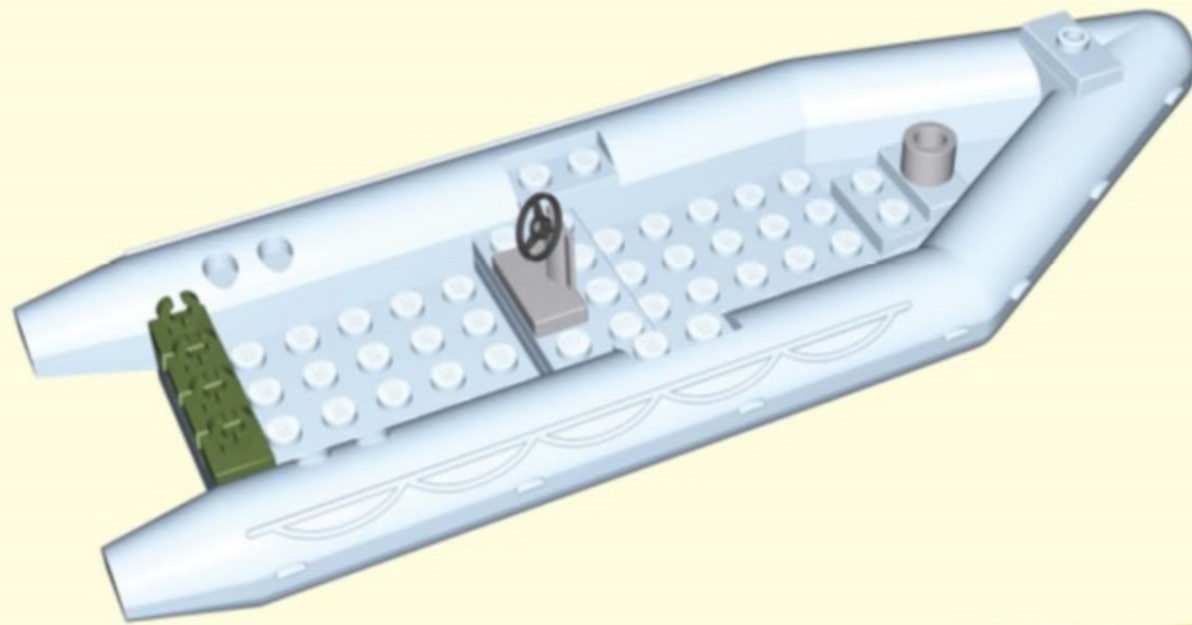
32



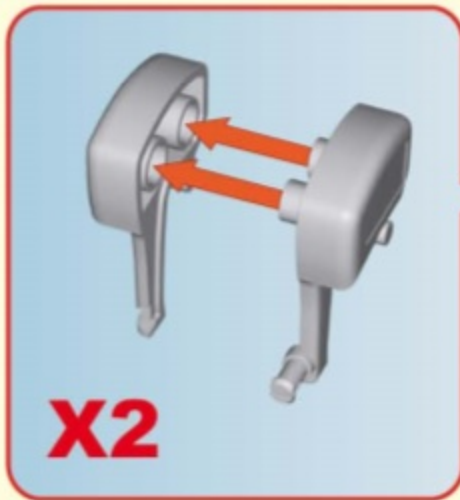
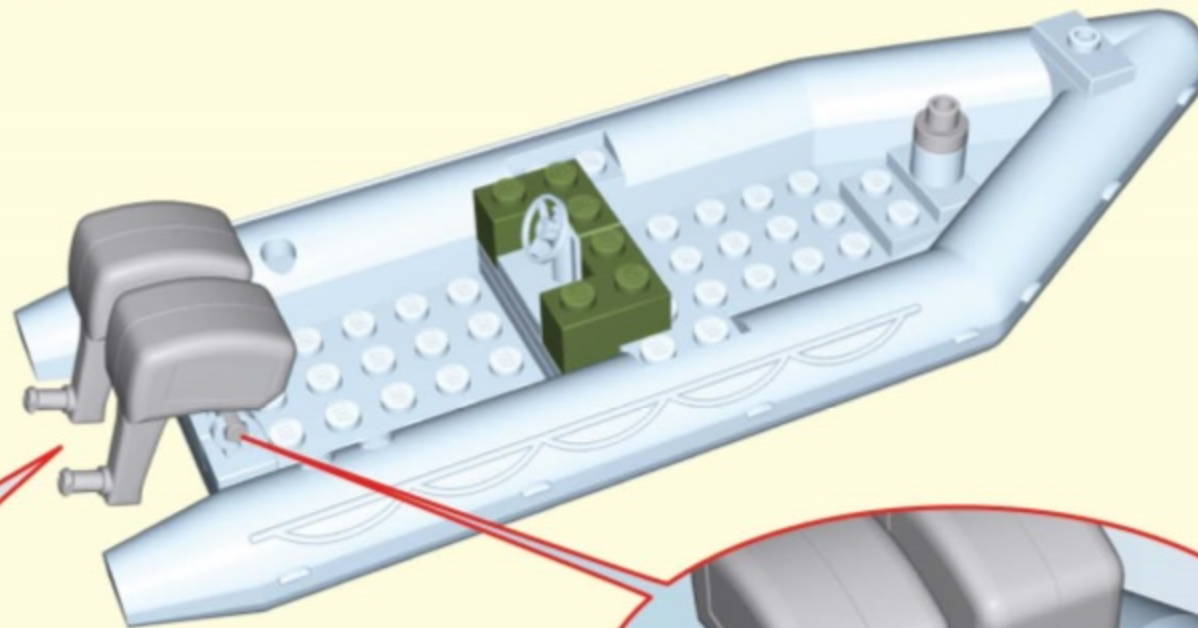
33



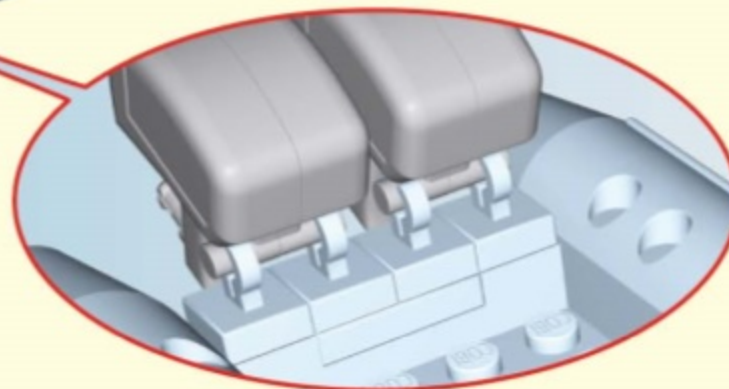
34



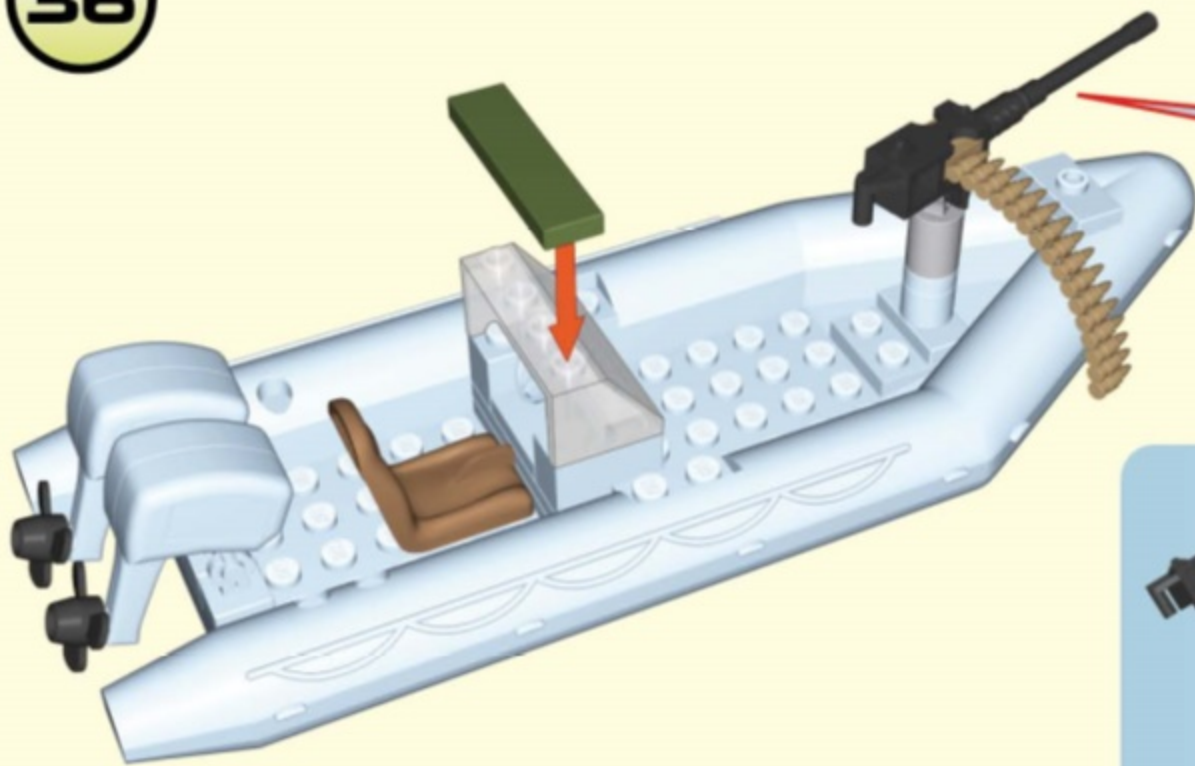
35



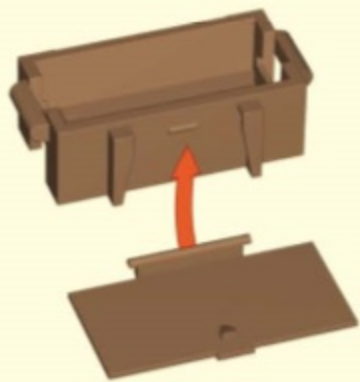
X2



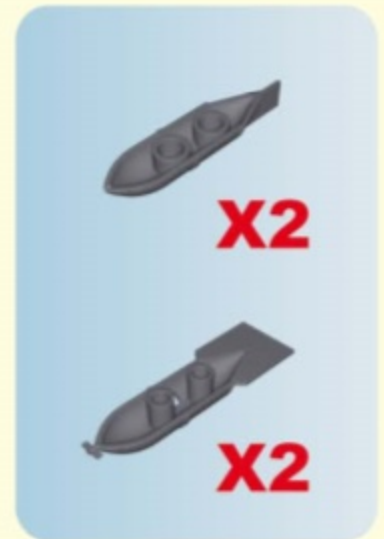
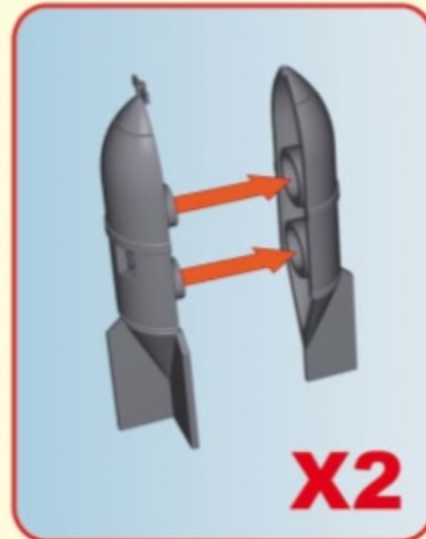
36



37



38





**WILLYS JEEP® MB
NORTH AFRICA 1943
24093**



**WILLYS JEEP® MB WITH HELICOPTER
24254**



03-24193-161



**WILLYS JEEP® MB BARRACKS WITH CHECKPOINT
24302**