



Jeep®

Jeep, the Jeep grille and related logos, vehicle model names and trade dress are trademarks of Chrysler Group LLC and used under license by Cobi.
©2014 Chrysler Group LLC.

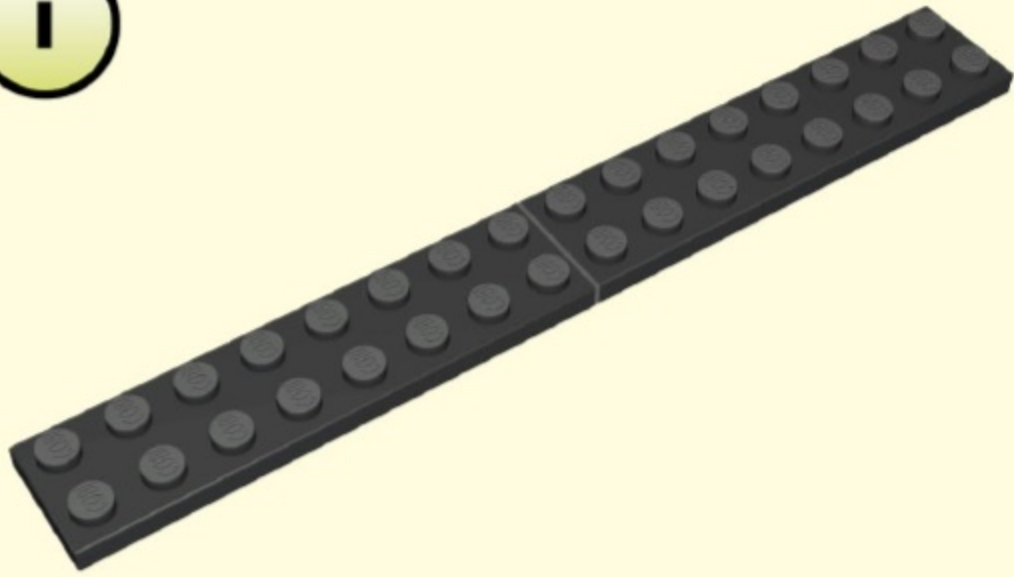


Printed in EU

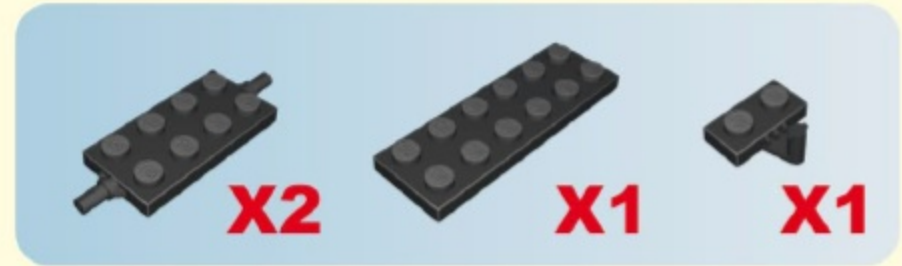
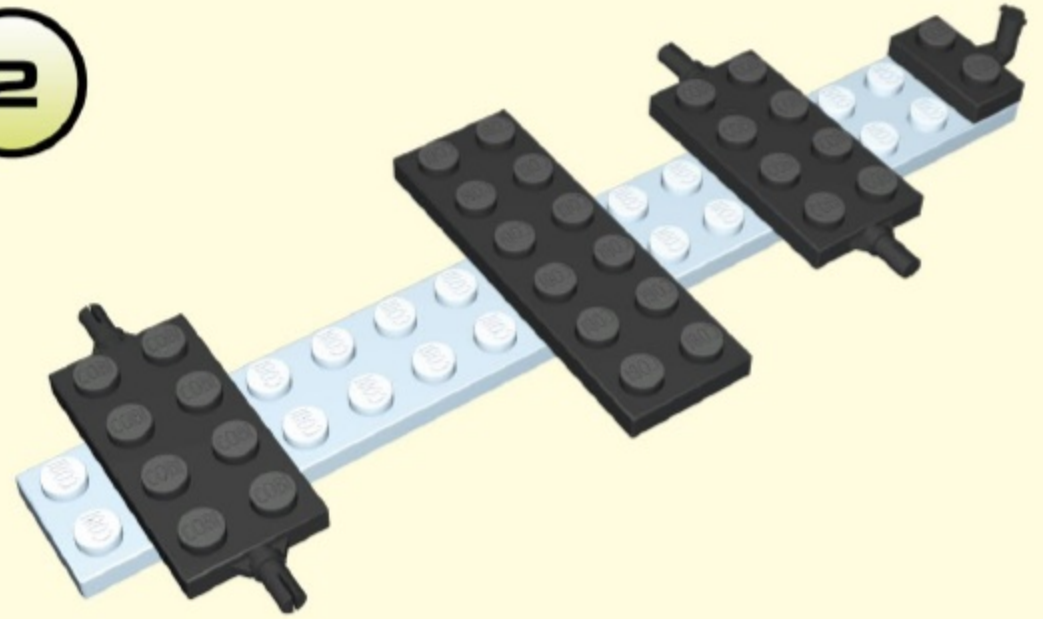


WARNING: CHOKING HAZARD-
Toy contains small parts.
Not for children under 3 years.

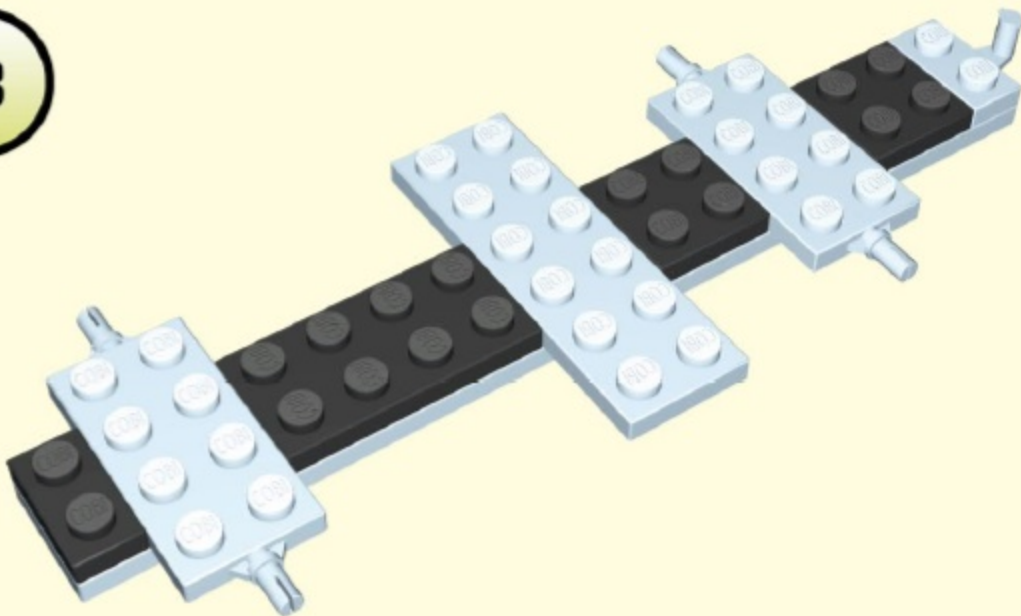
1



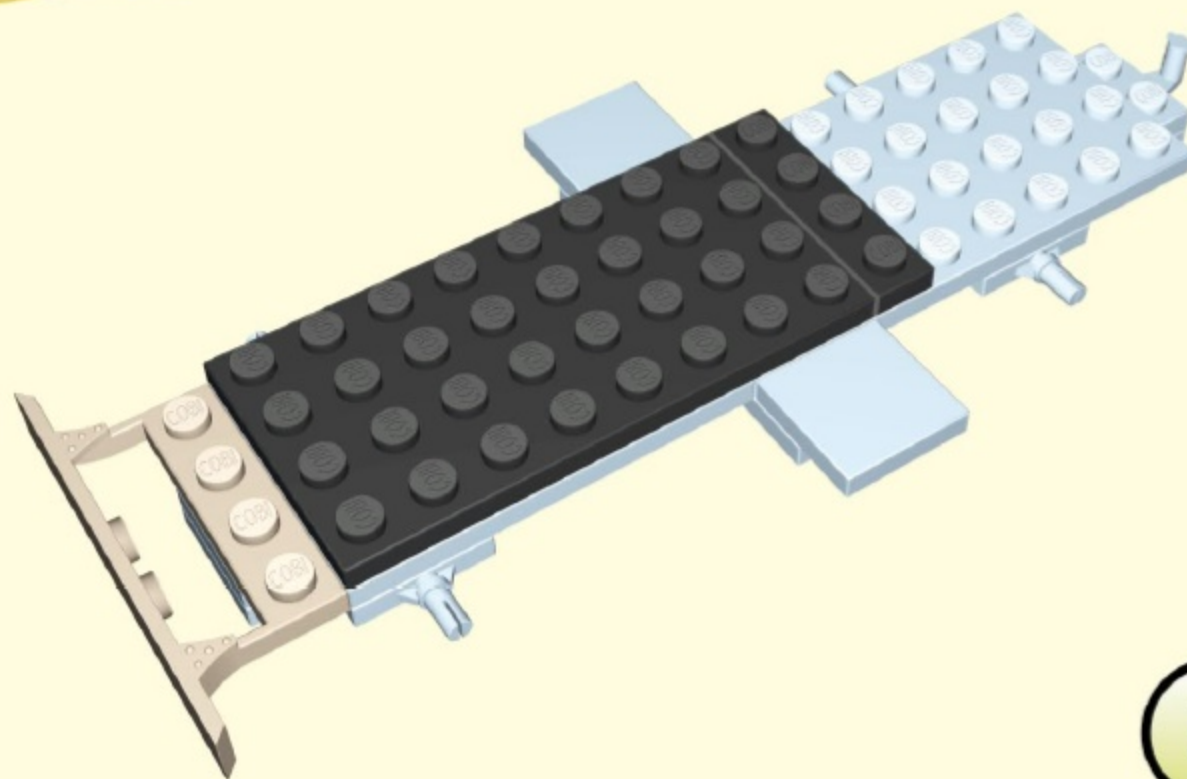
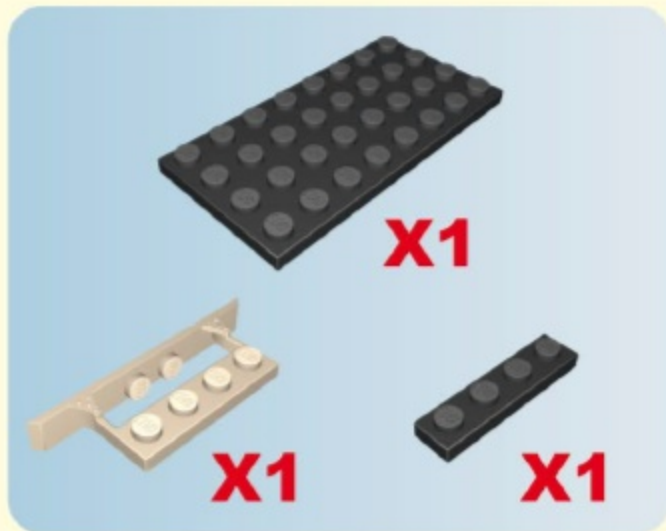
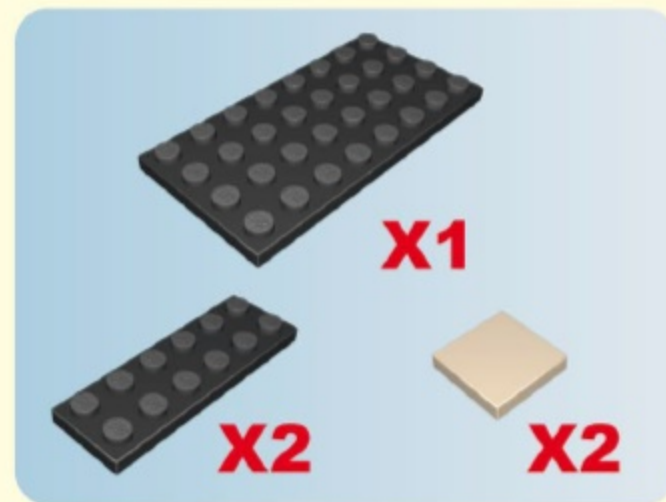
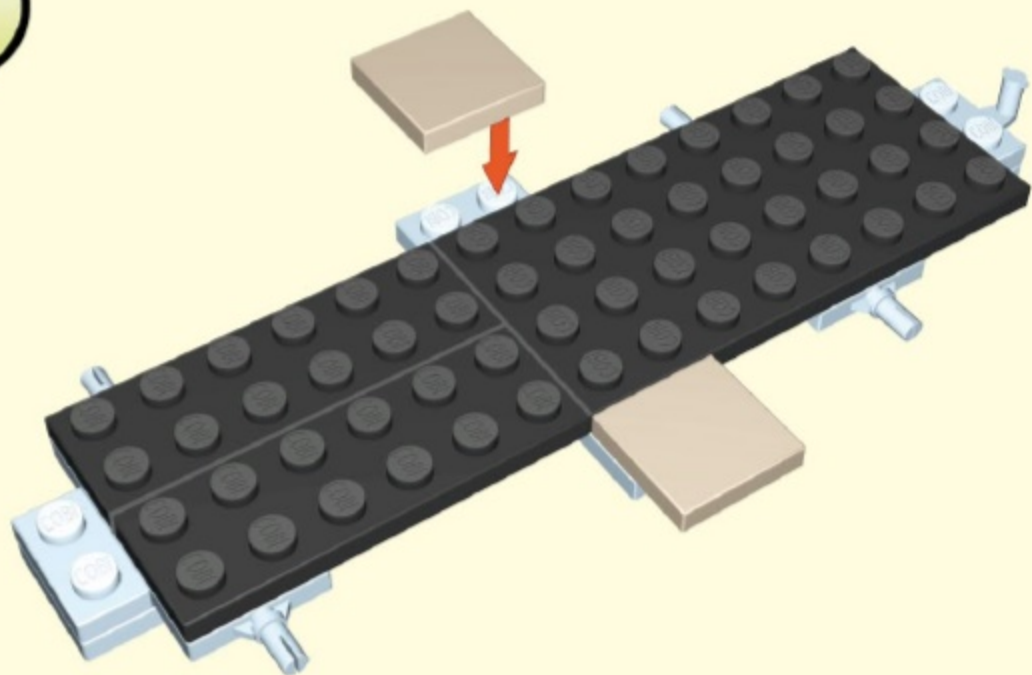
2



3

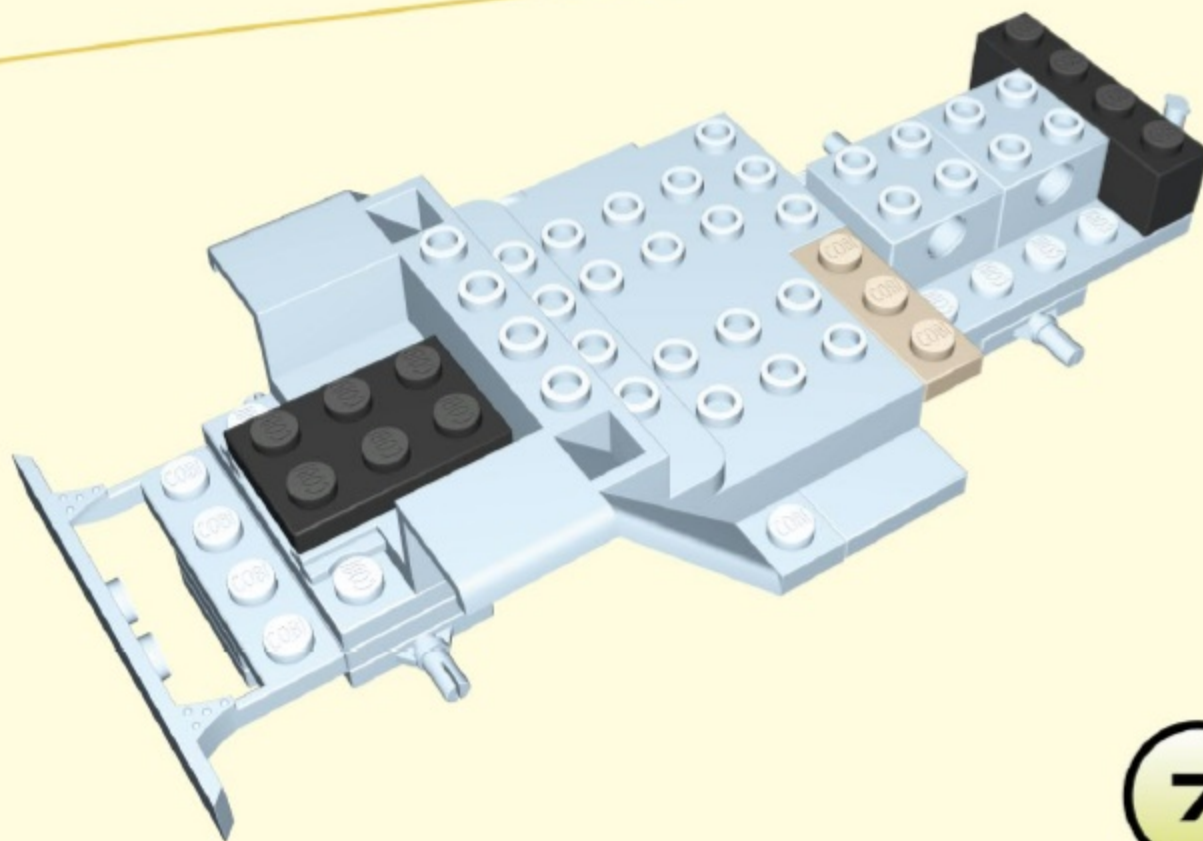
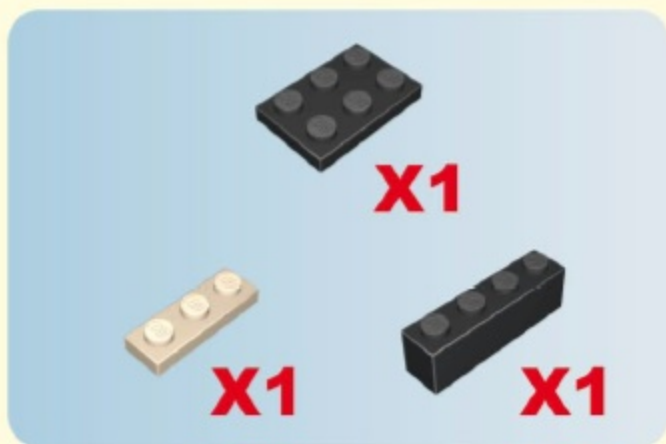
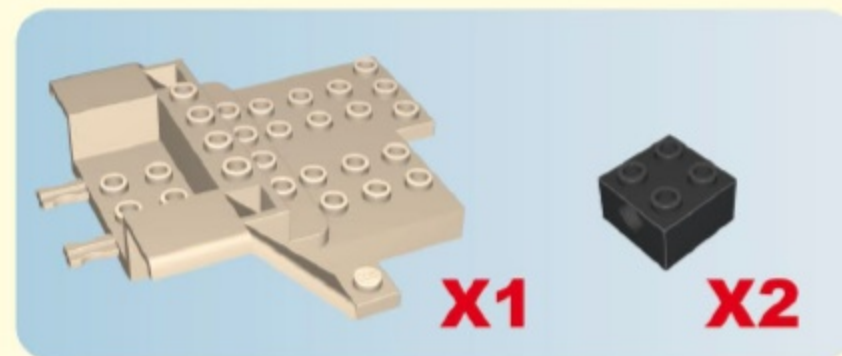
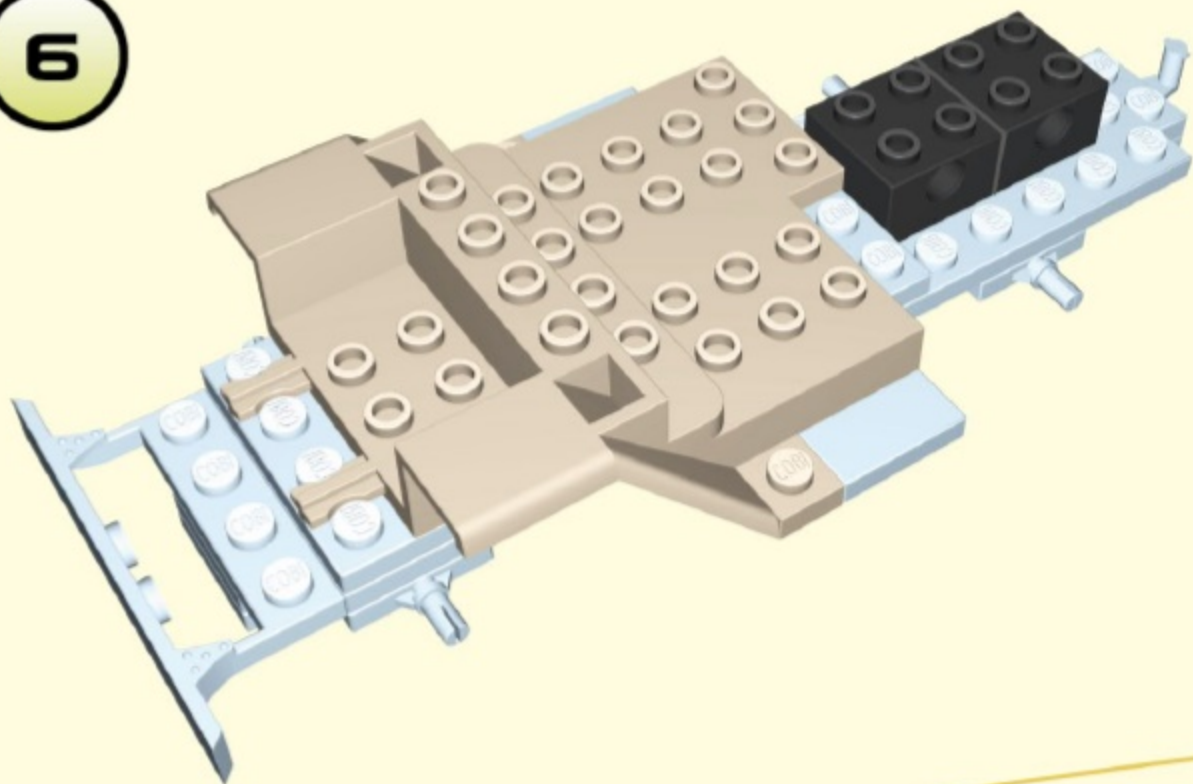


4



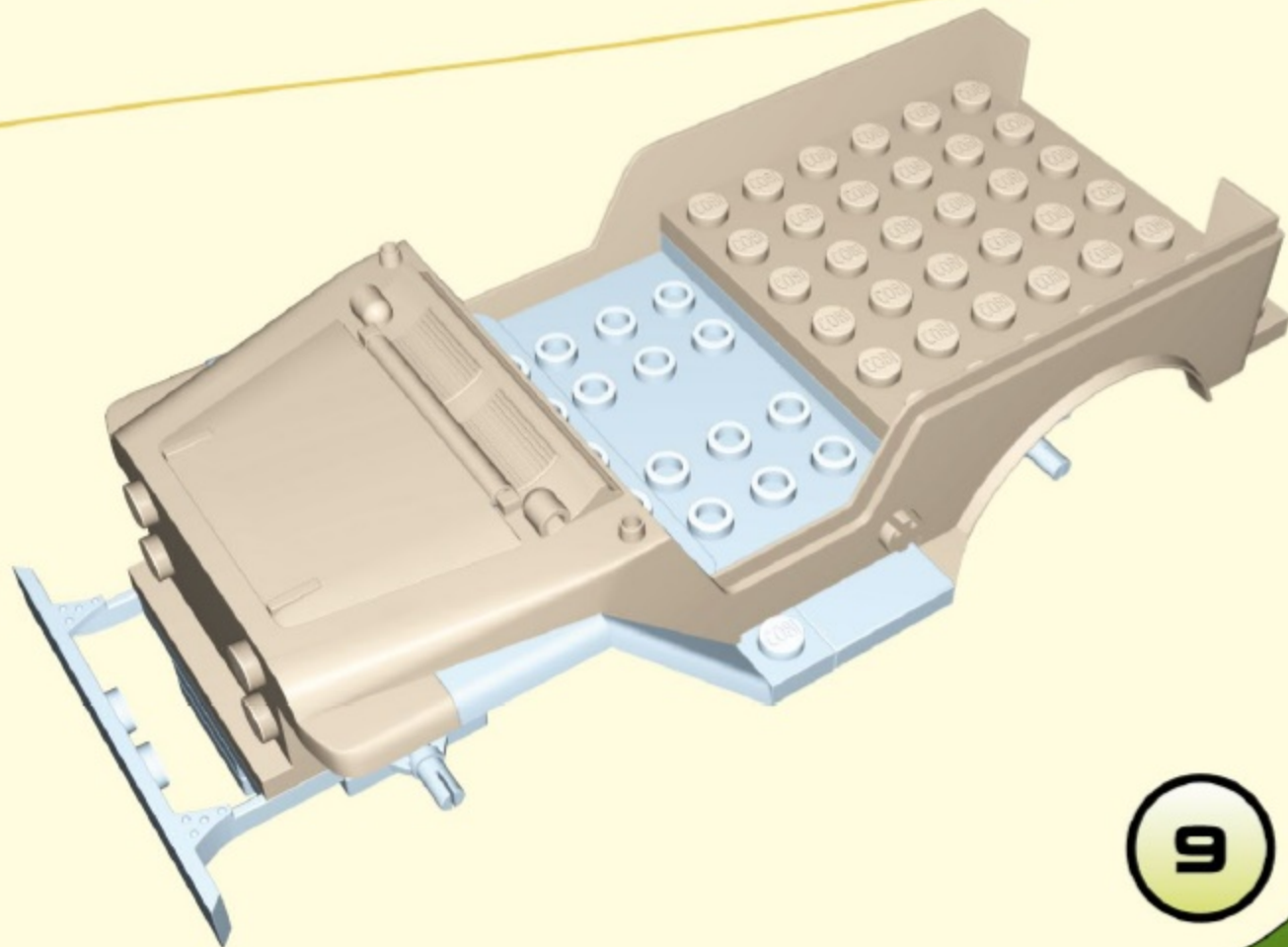
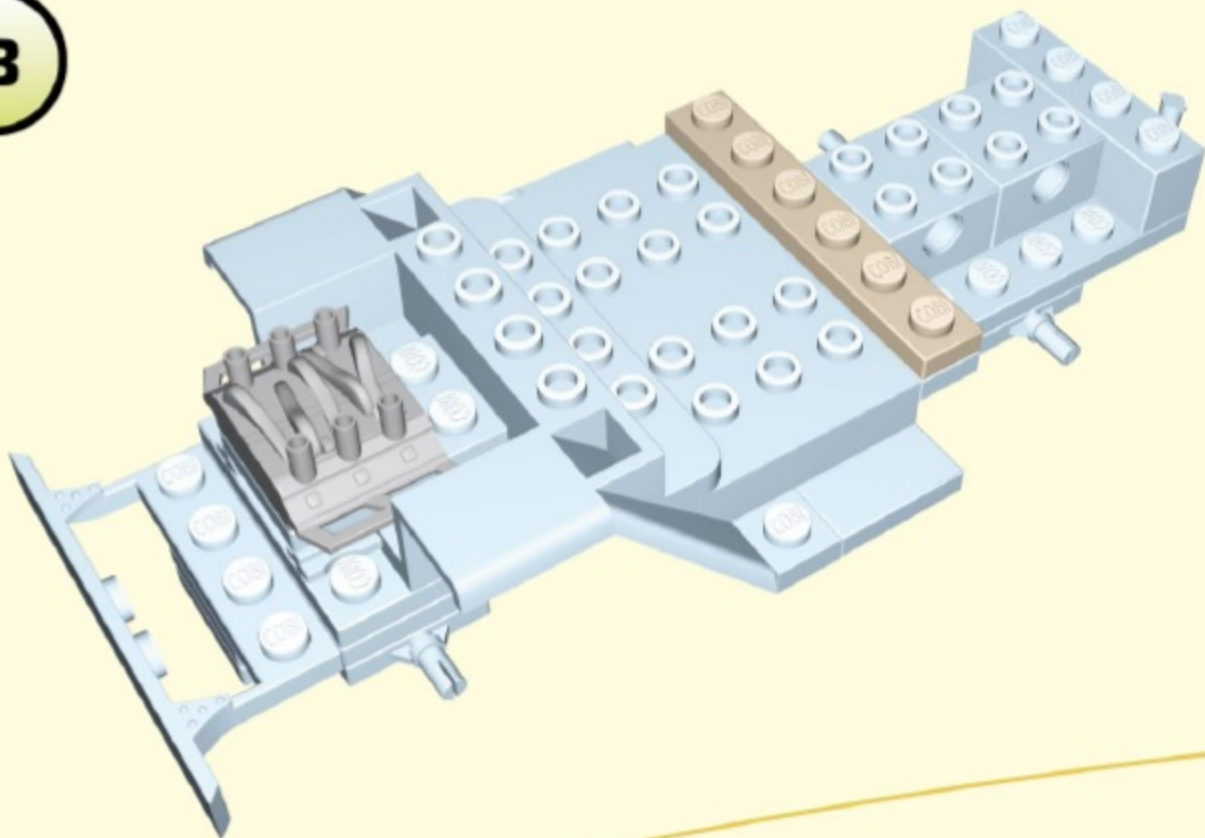
5

6



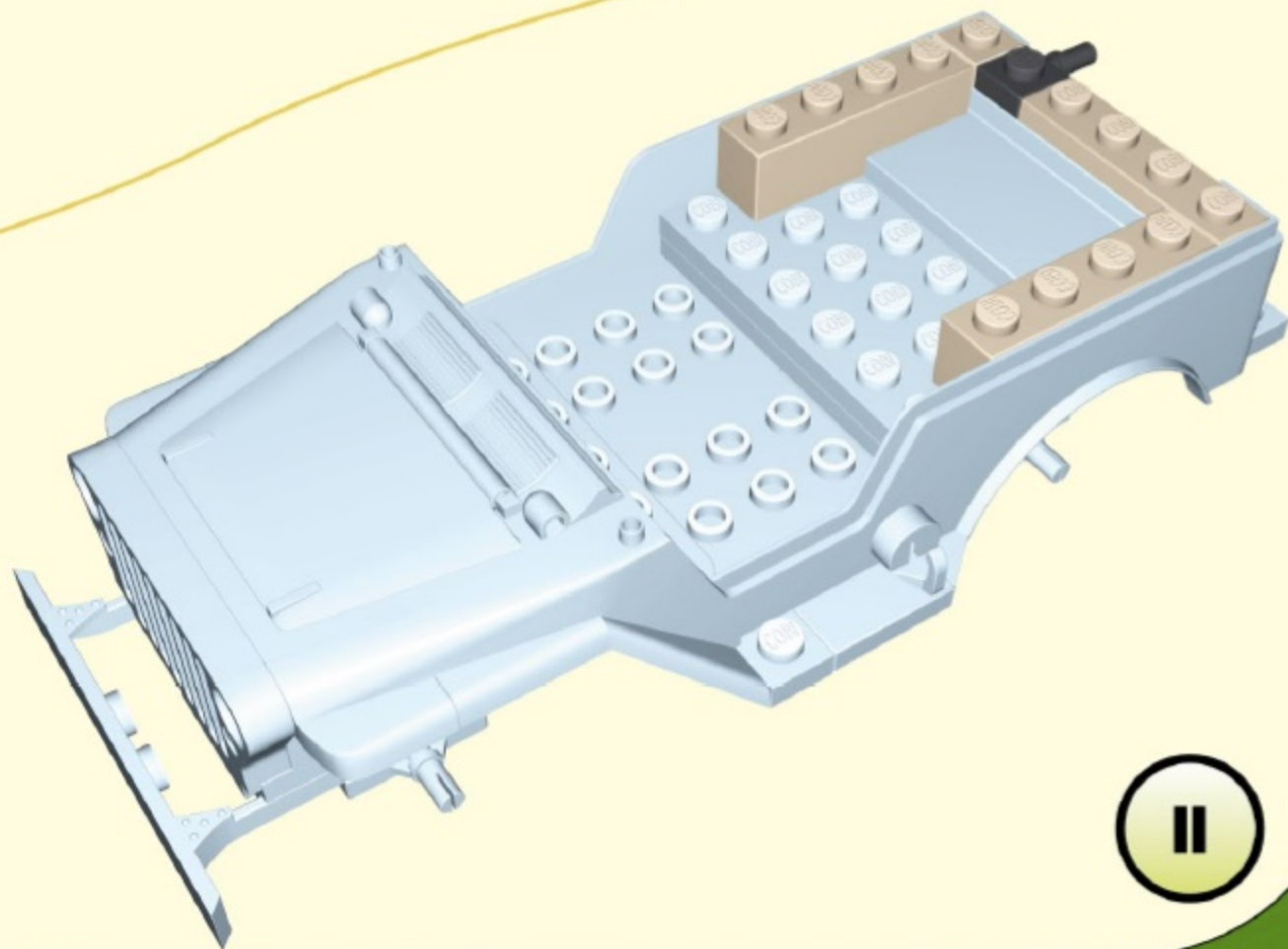
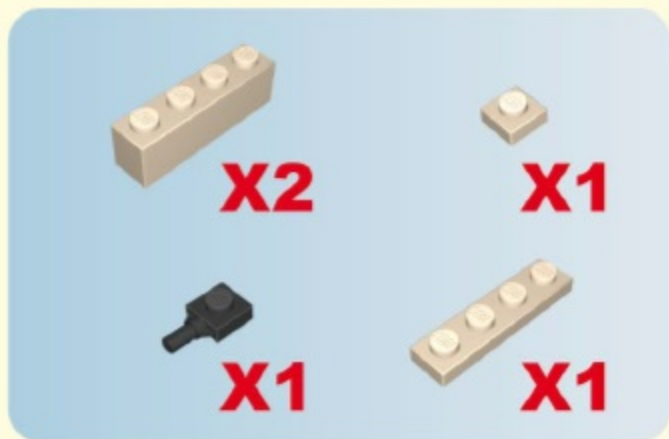
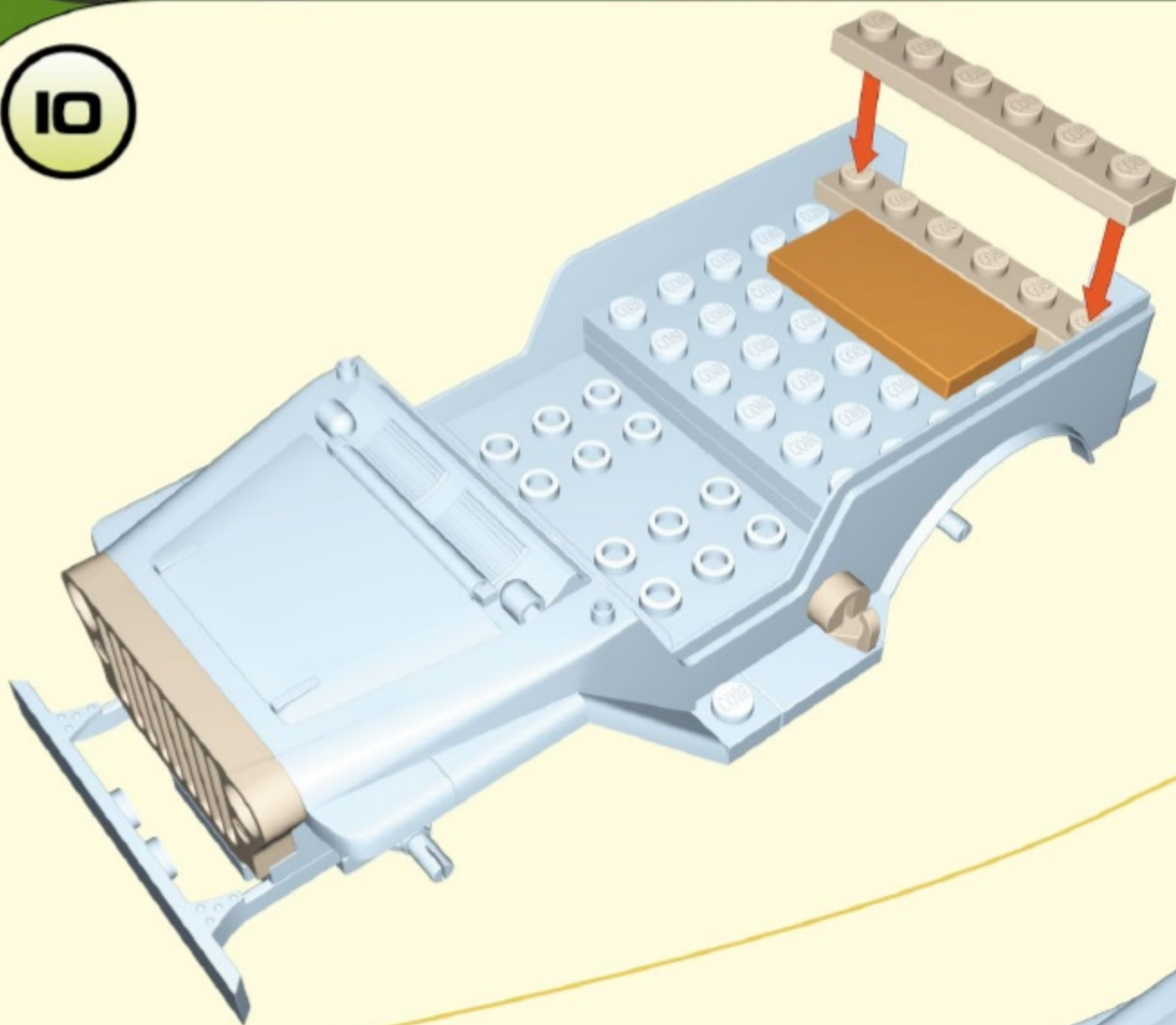
7

8



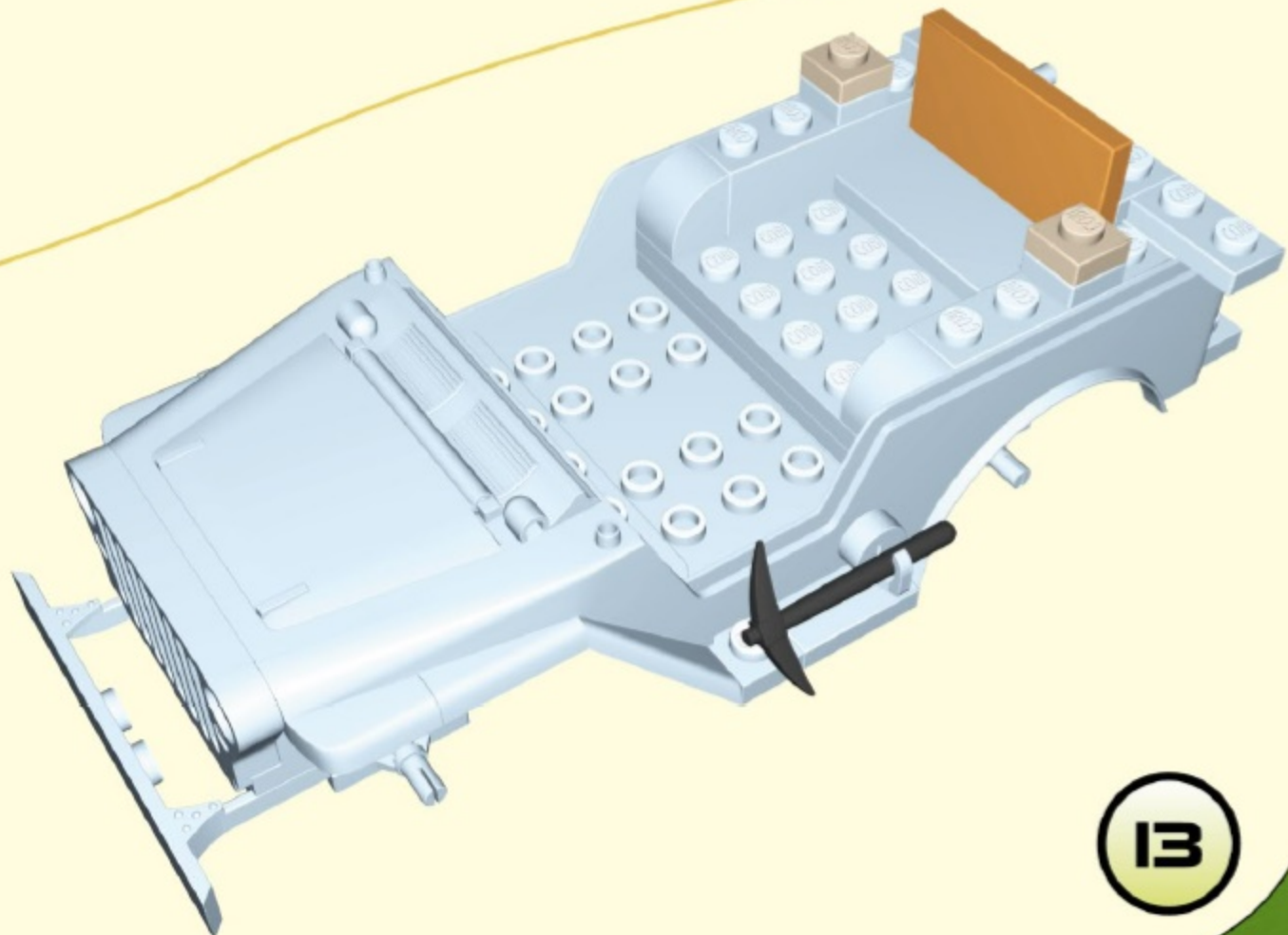
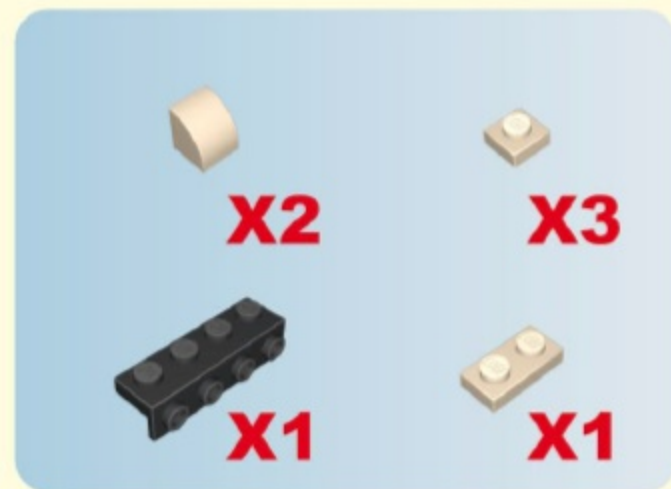
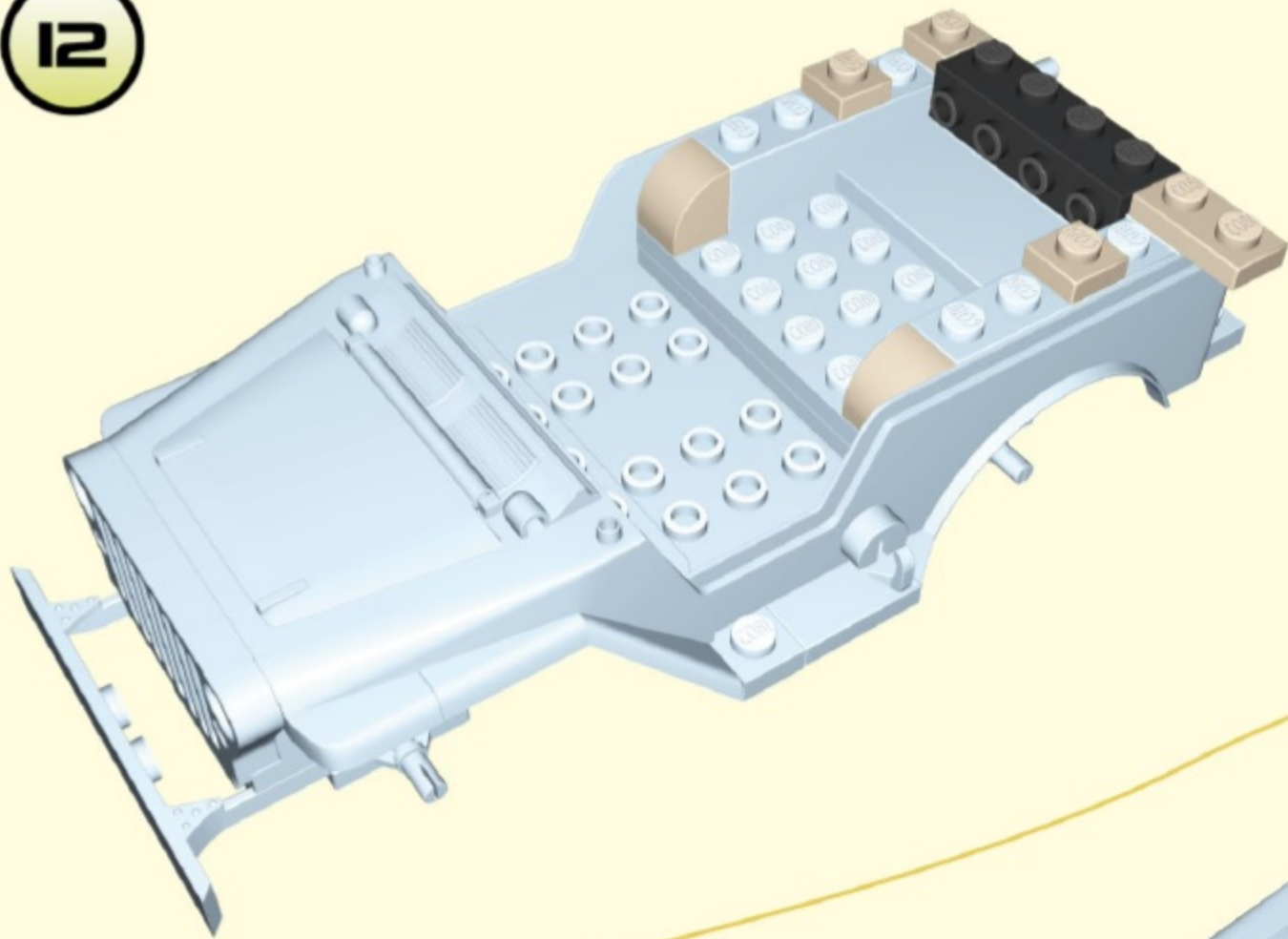
9

10



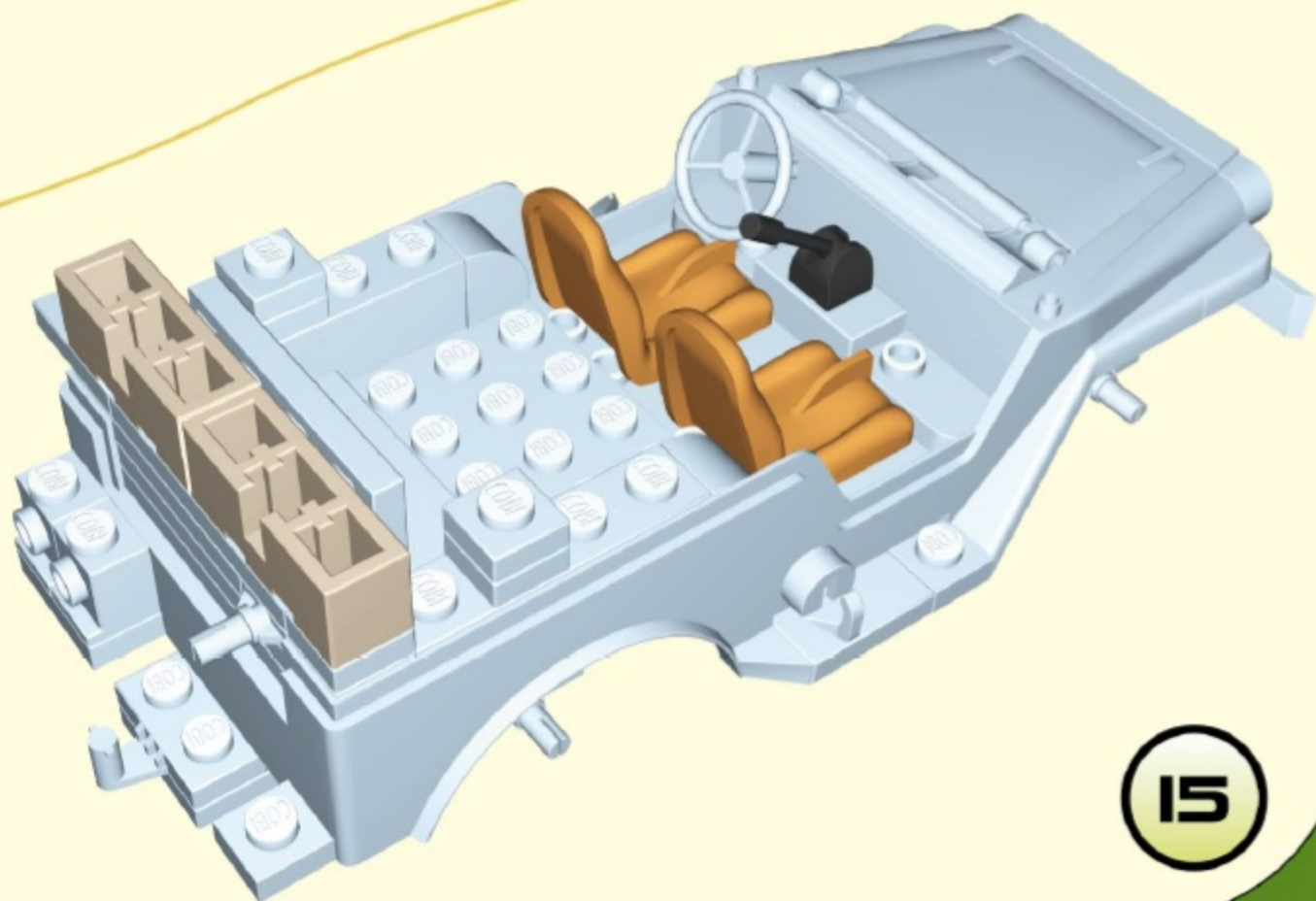
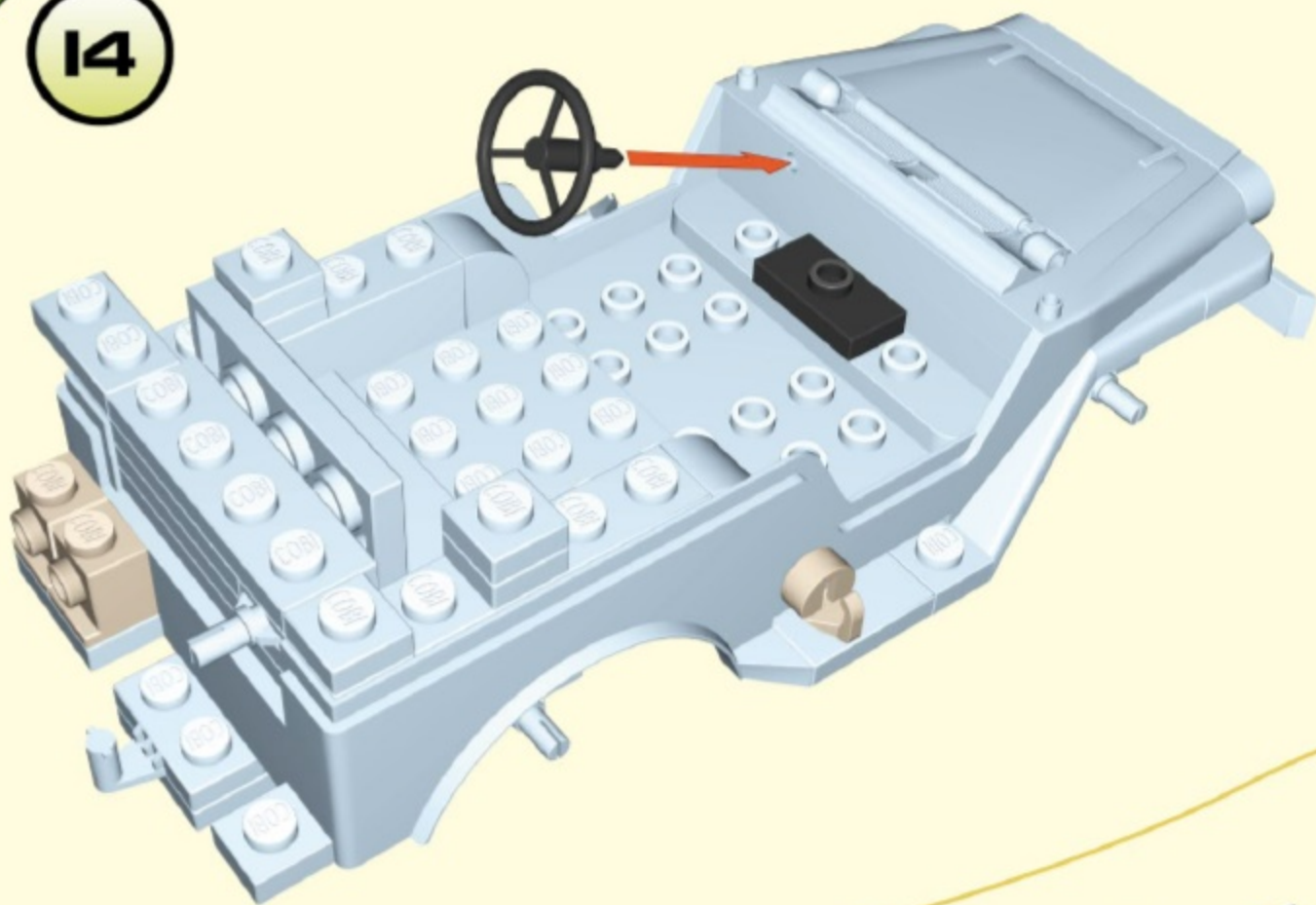
11

12



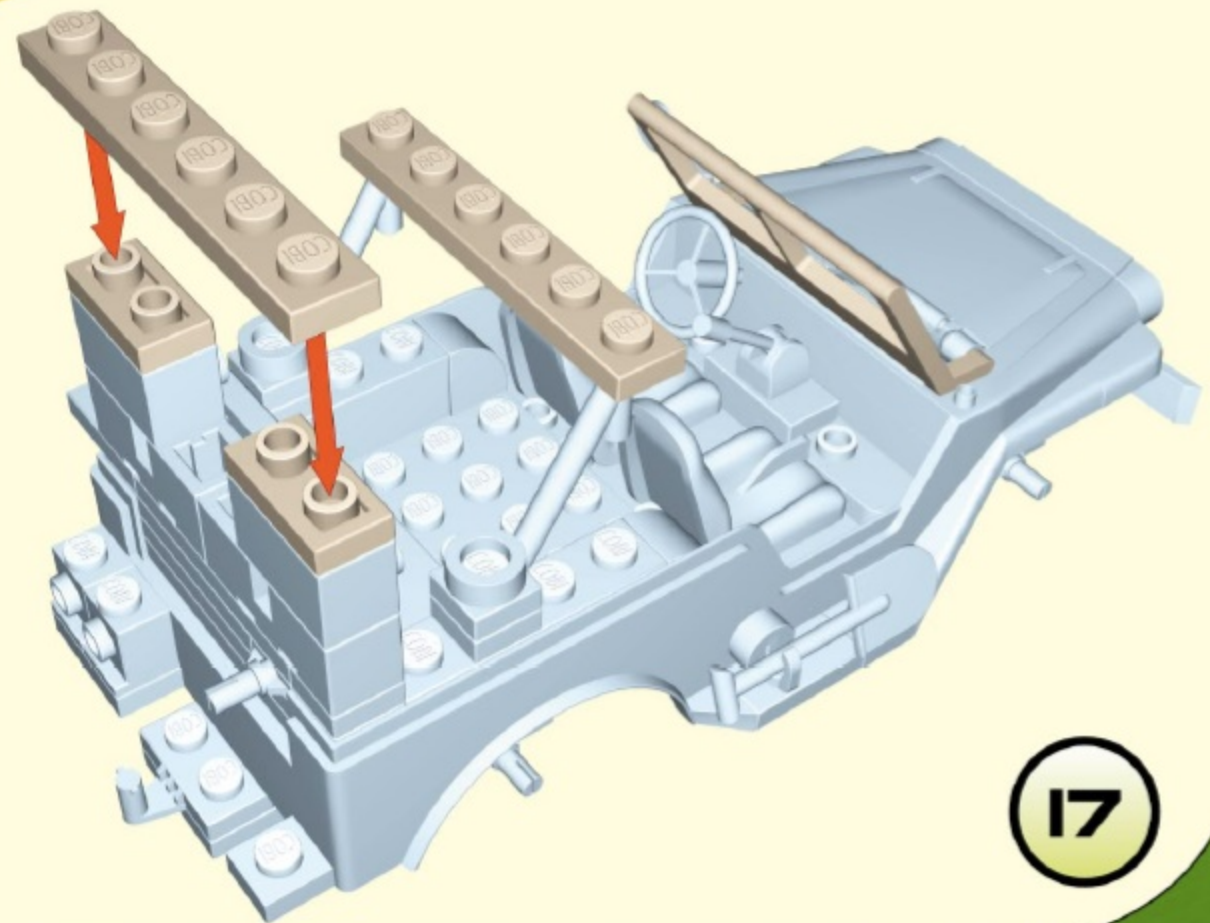
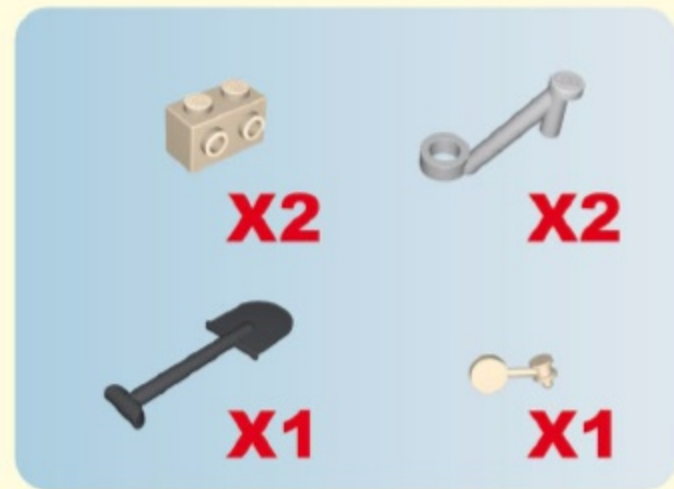
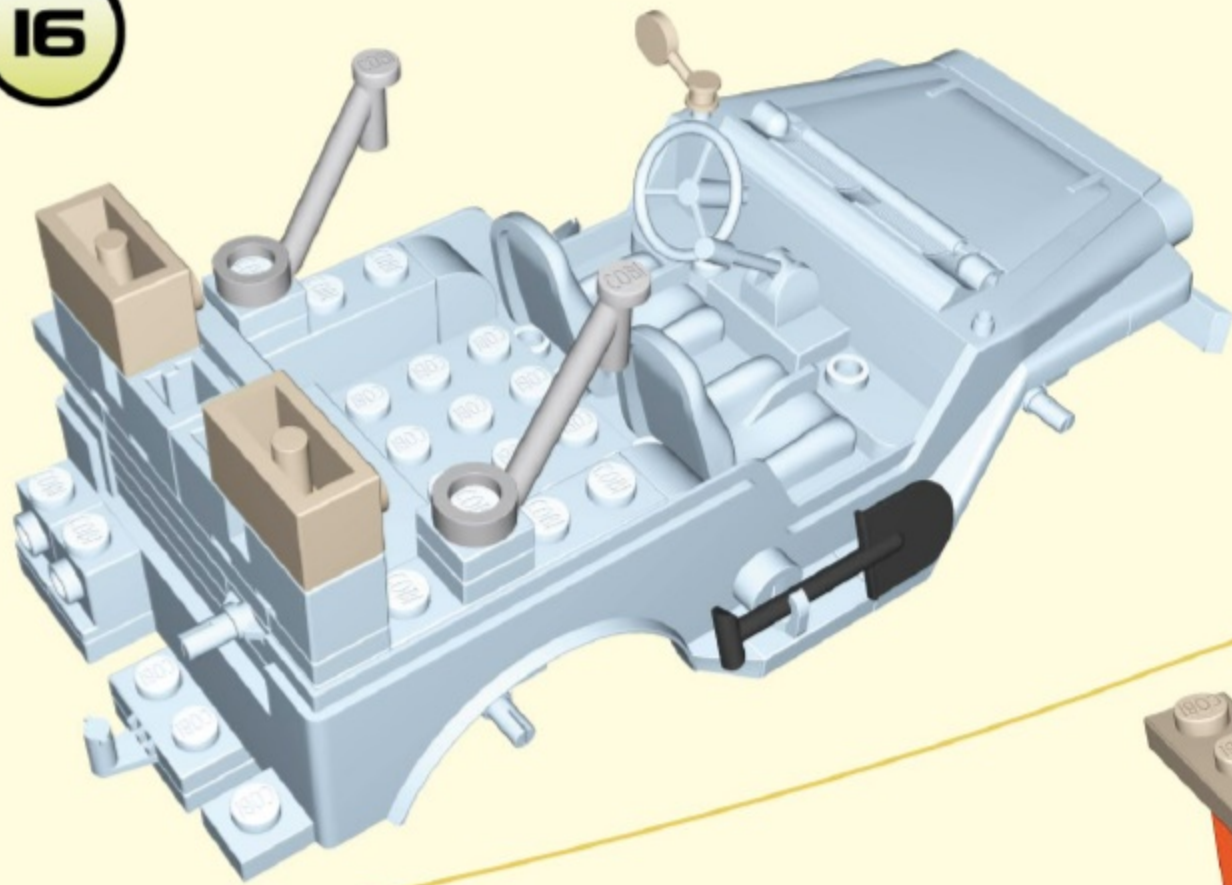
13

14

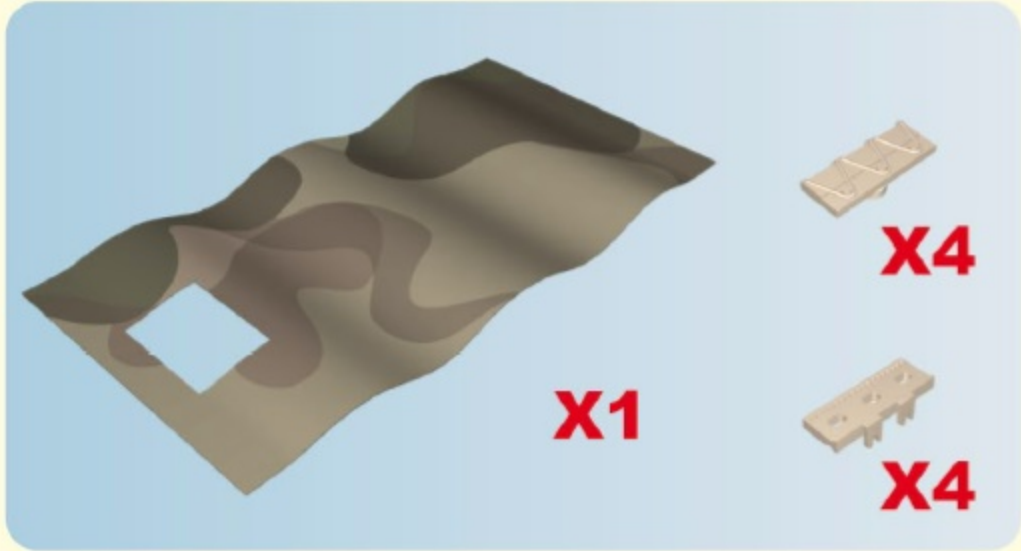
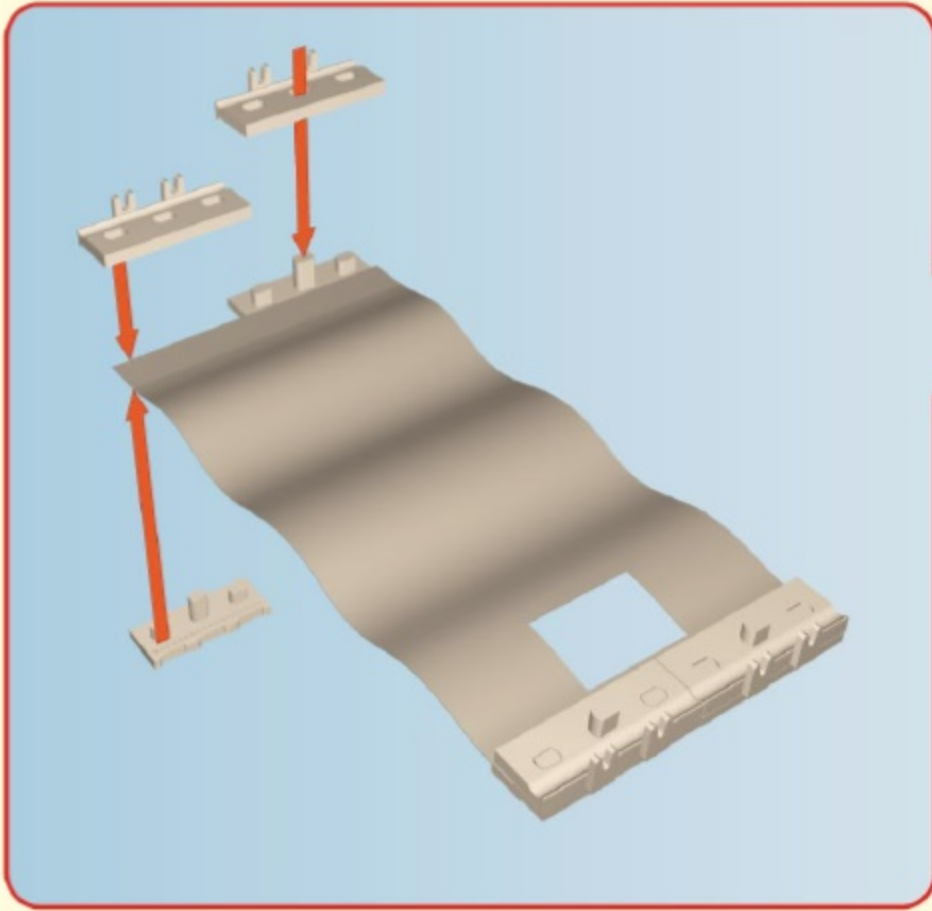
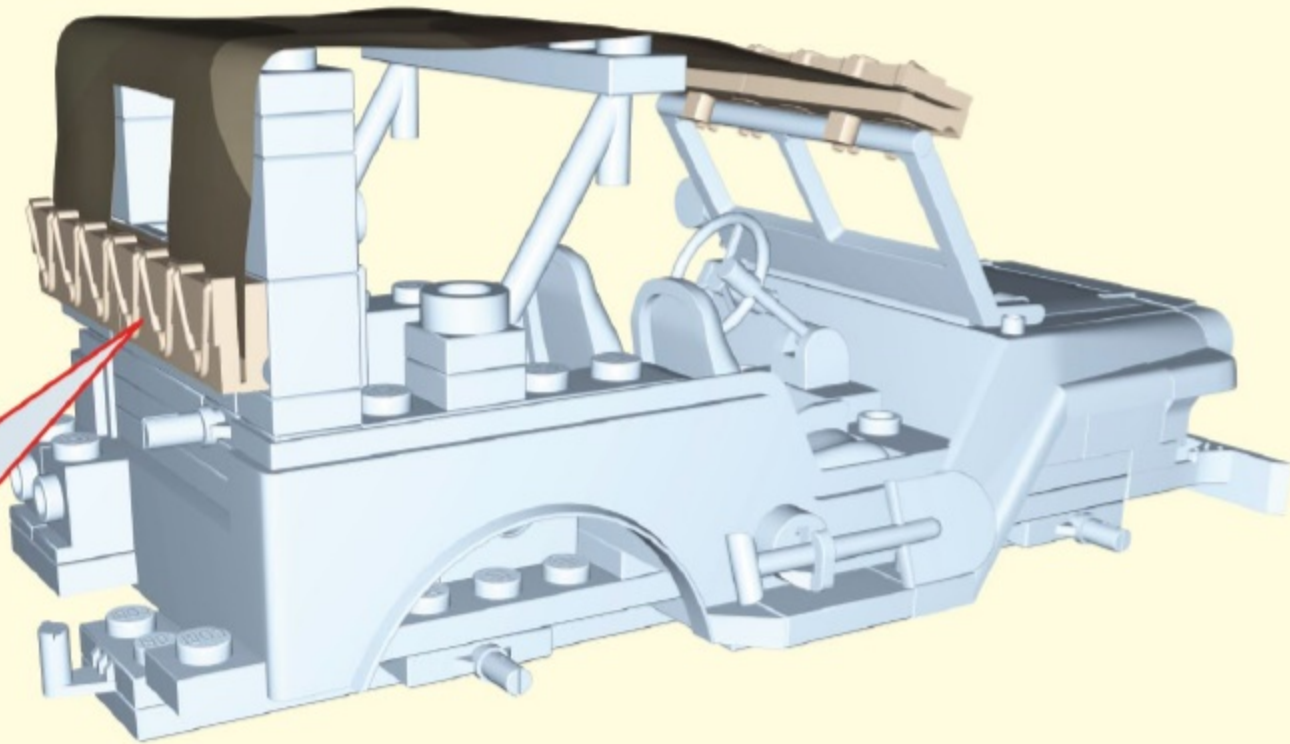


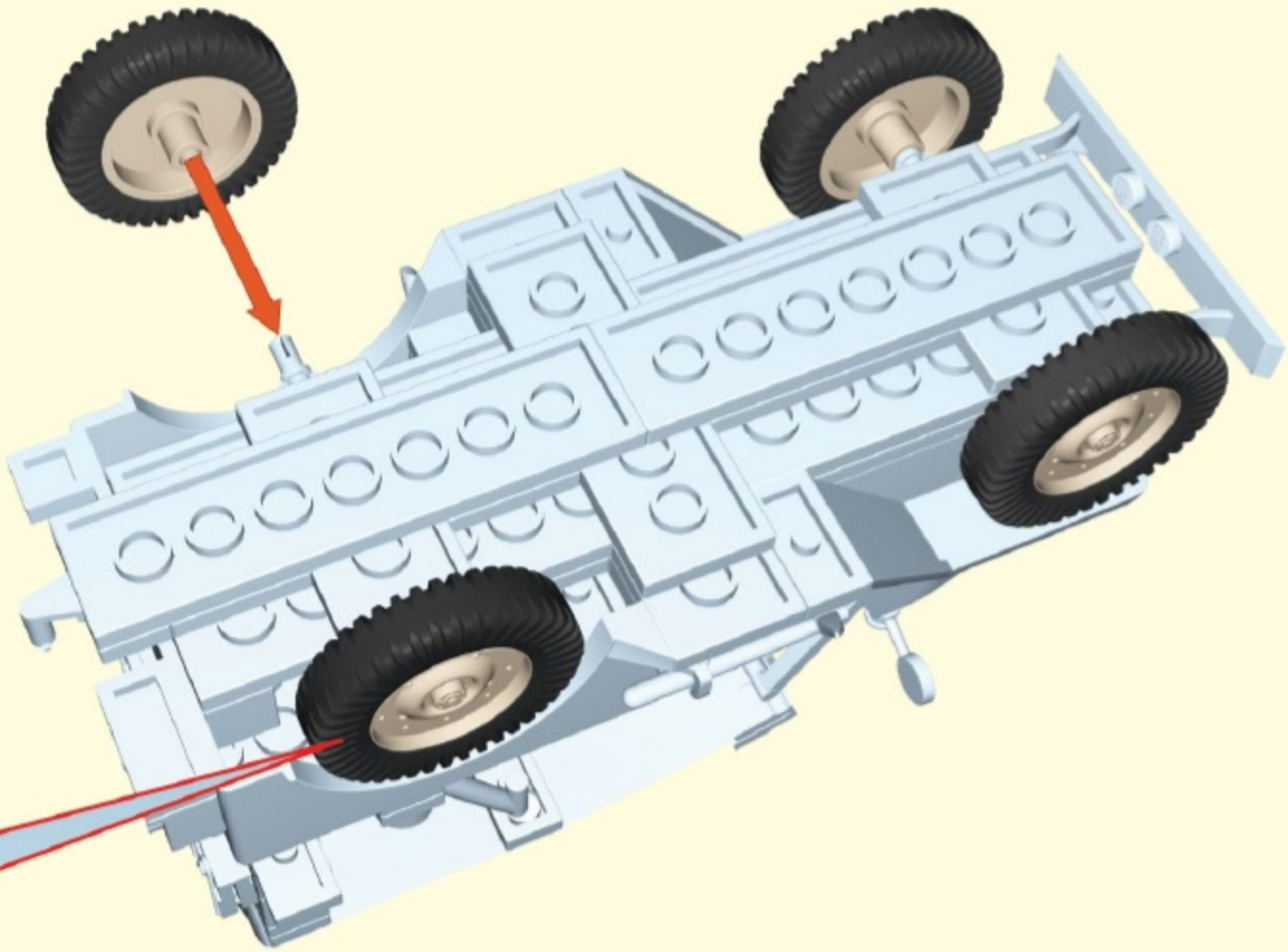
15

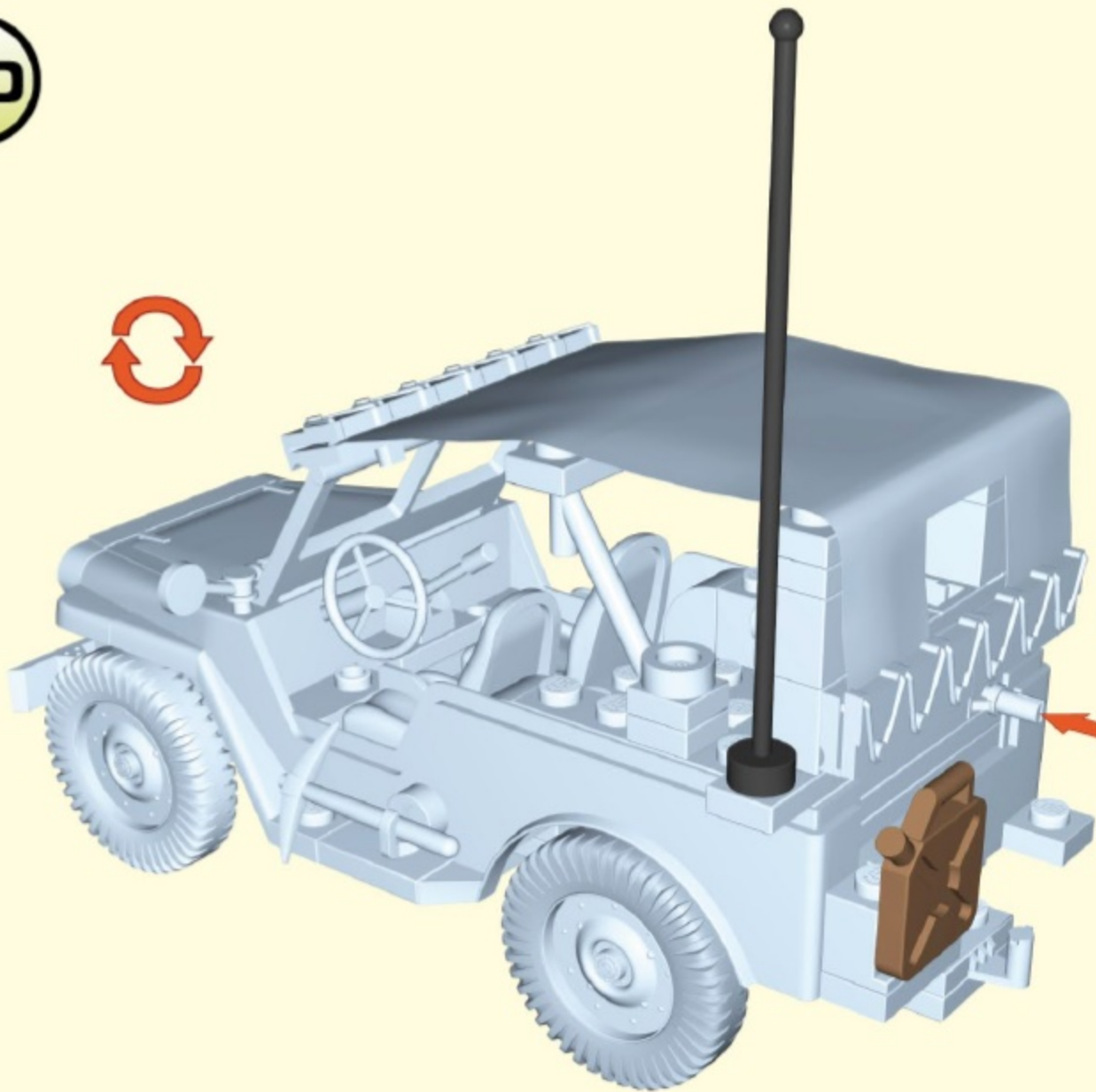
16




17

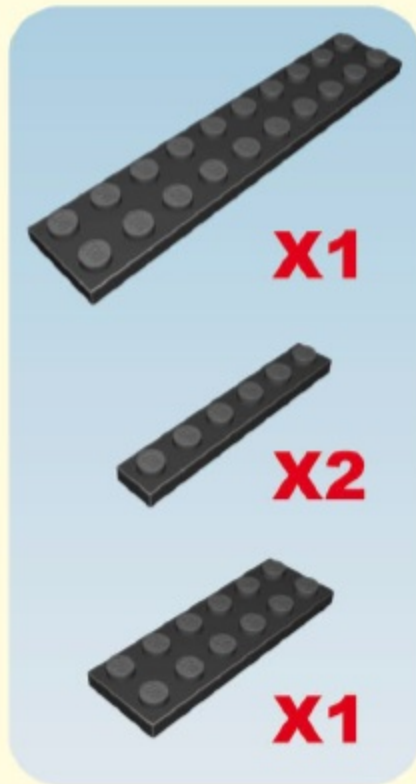
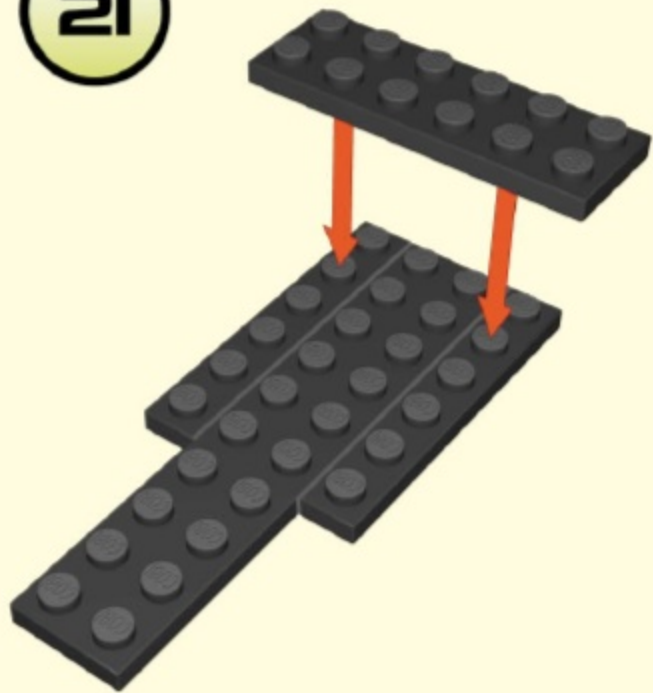




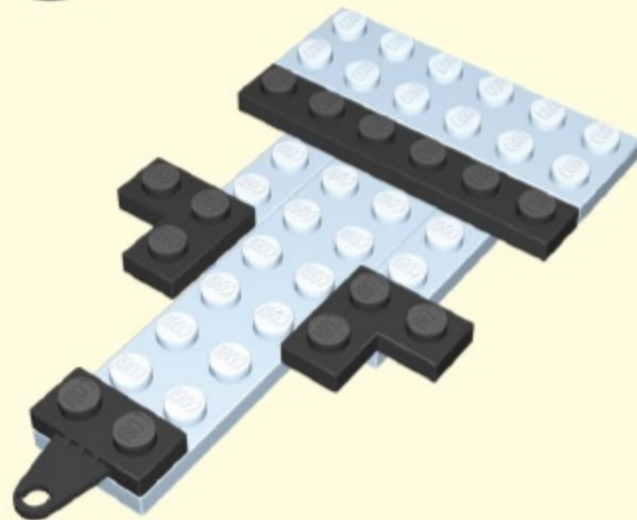


-  **X1**
-  **X1**
-  **X1**
-  **X1**
-  **X1**

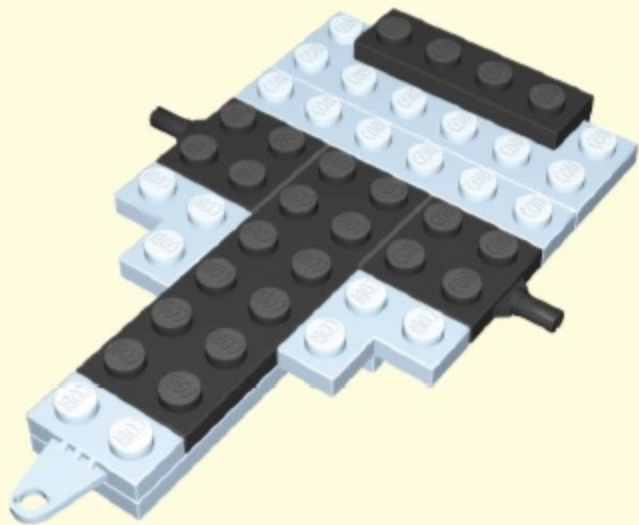
21



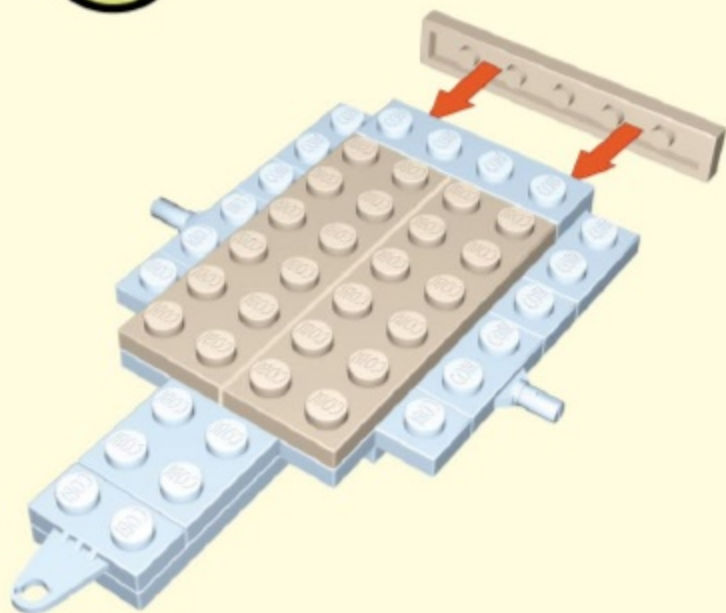
22



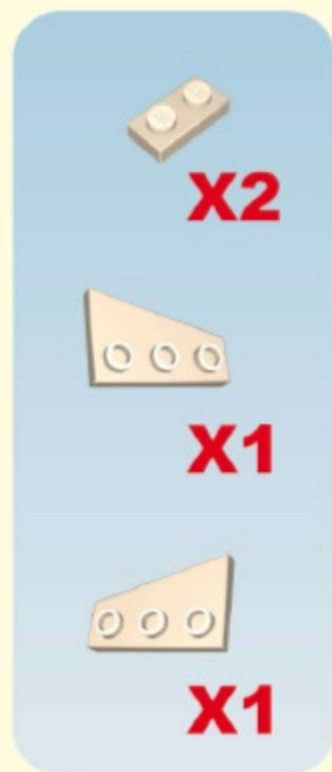
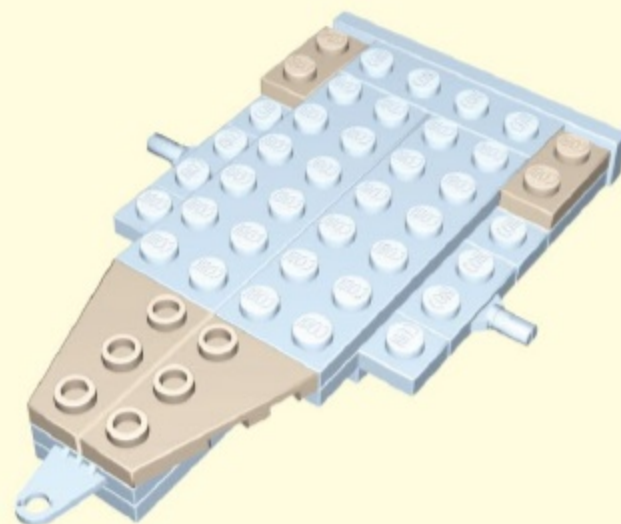
23



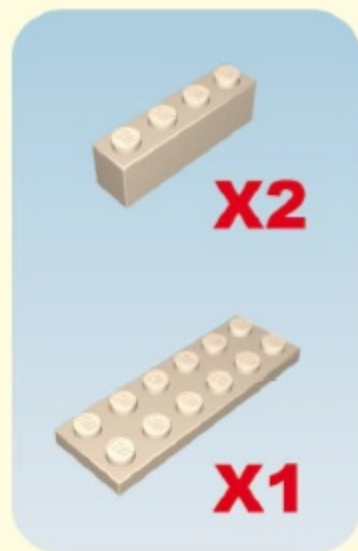
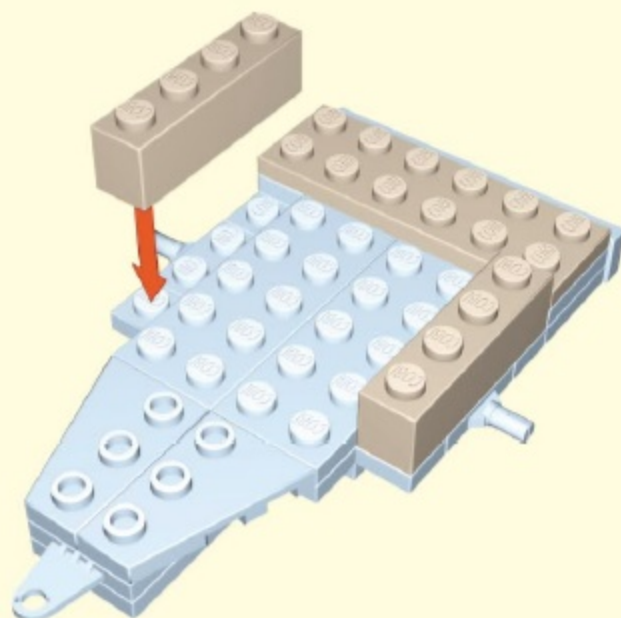
24



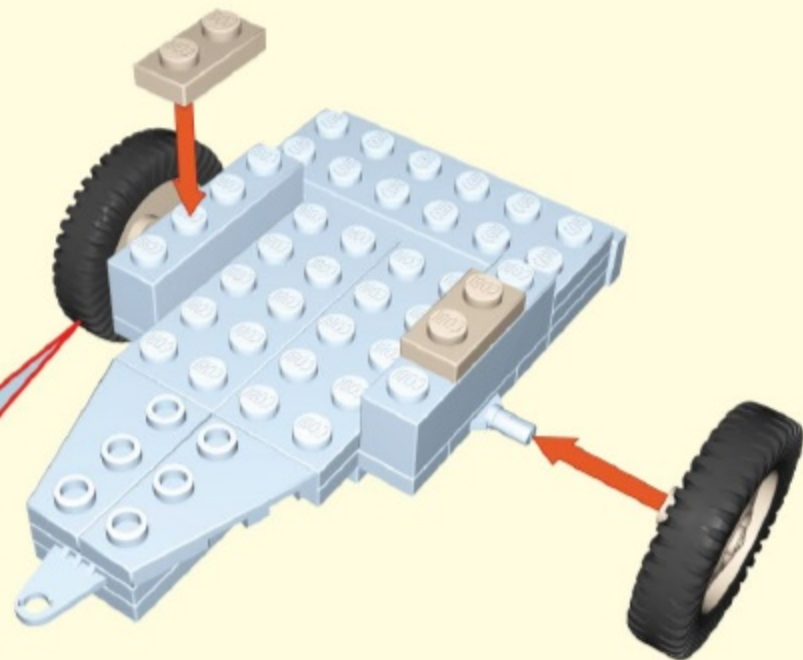
25



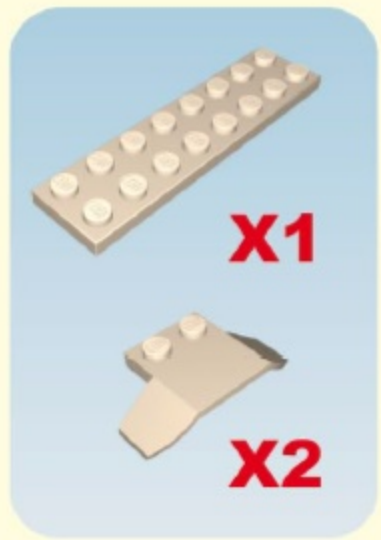
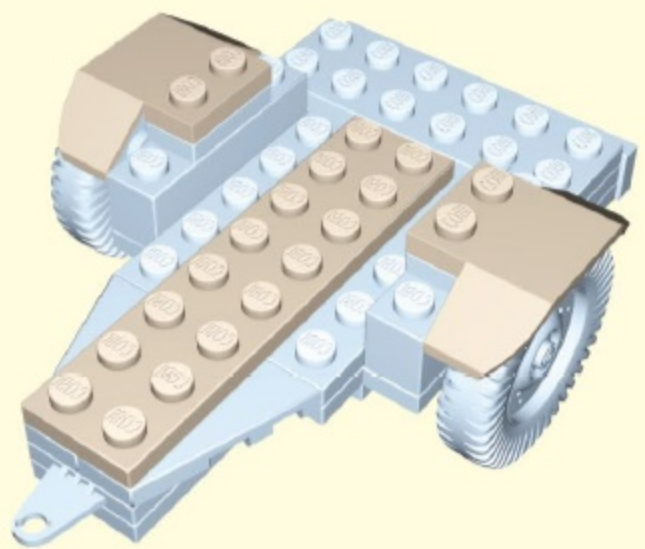
26



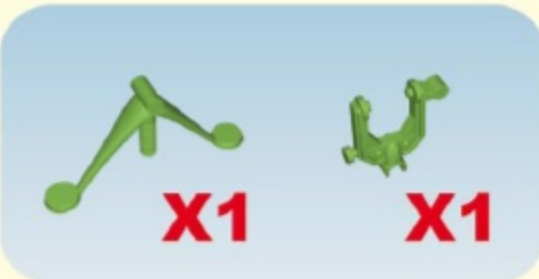
27



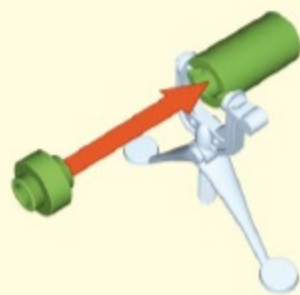
28



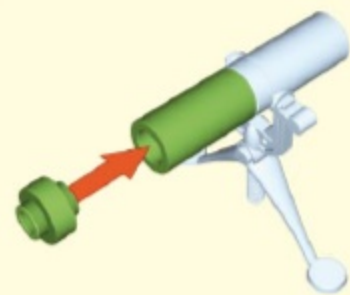
29



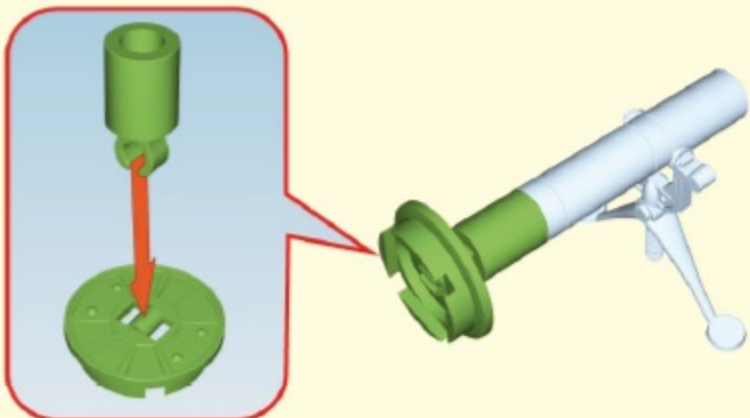
30



31



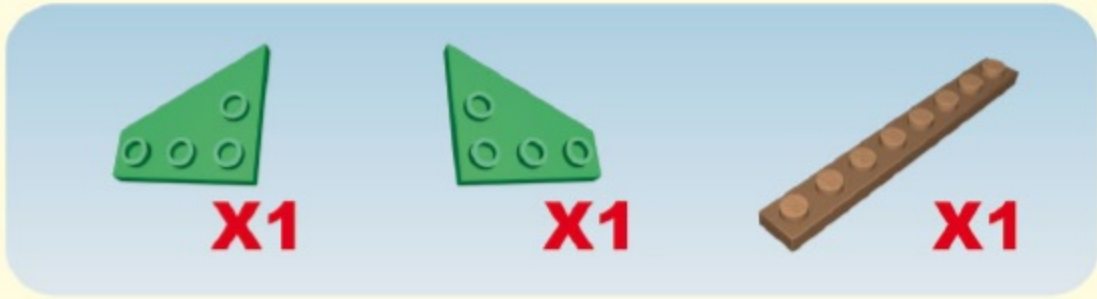
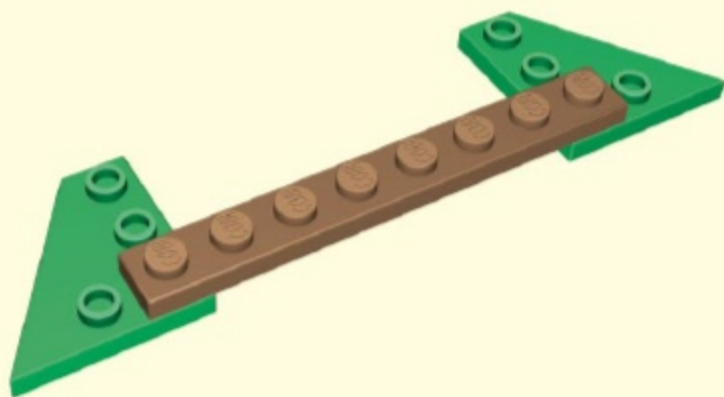
32



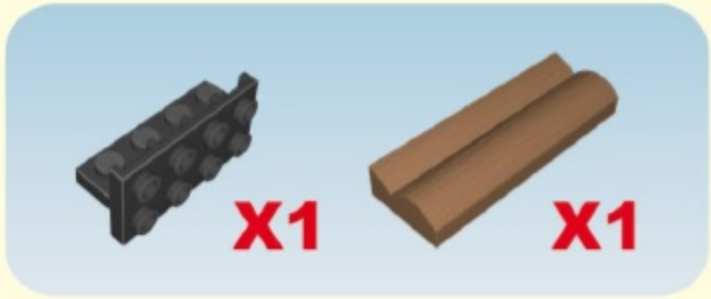
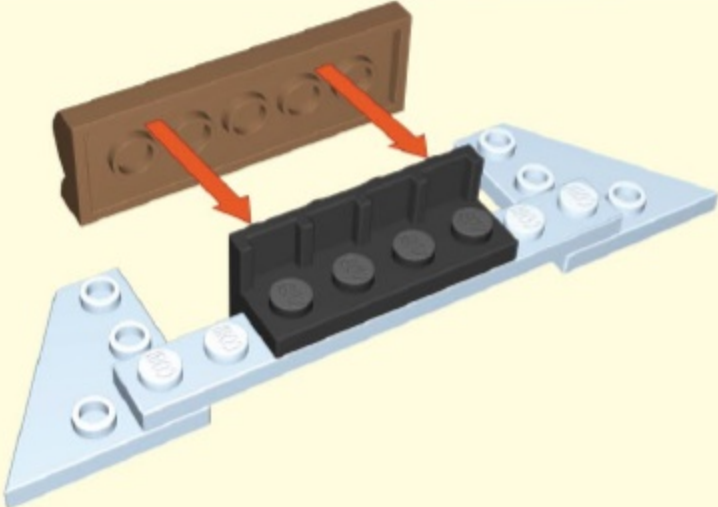
33



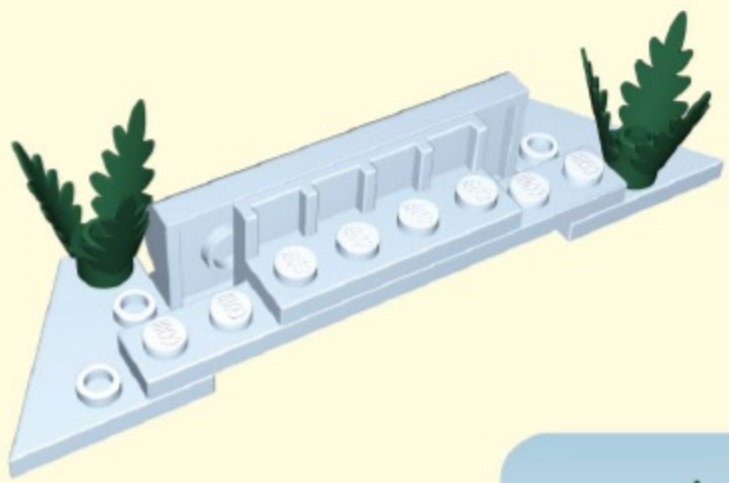
34



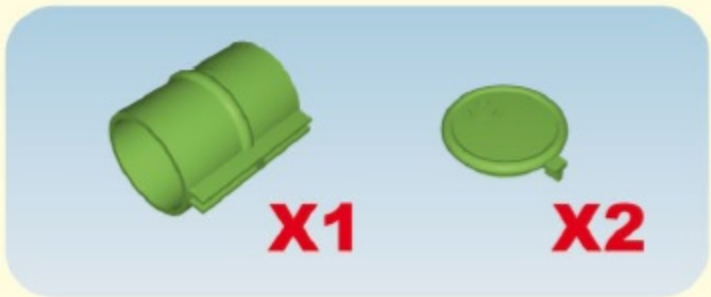
35



36



37



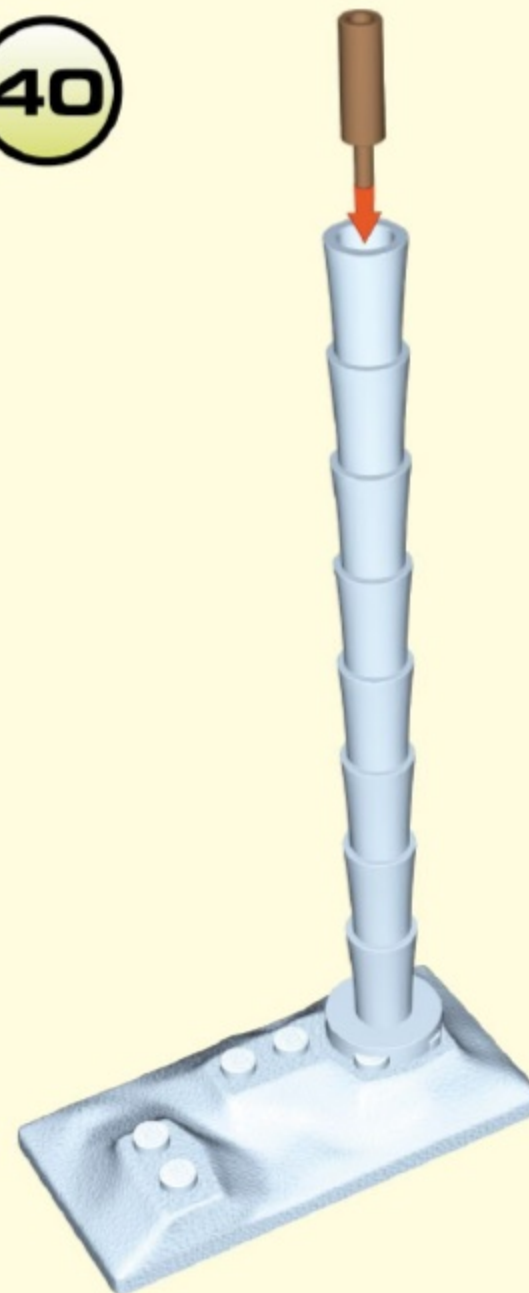
38



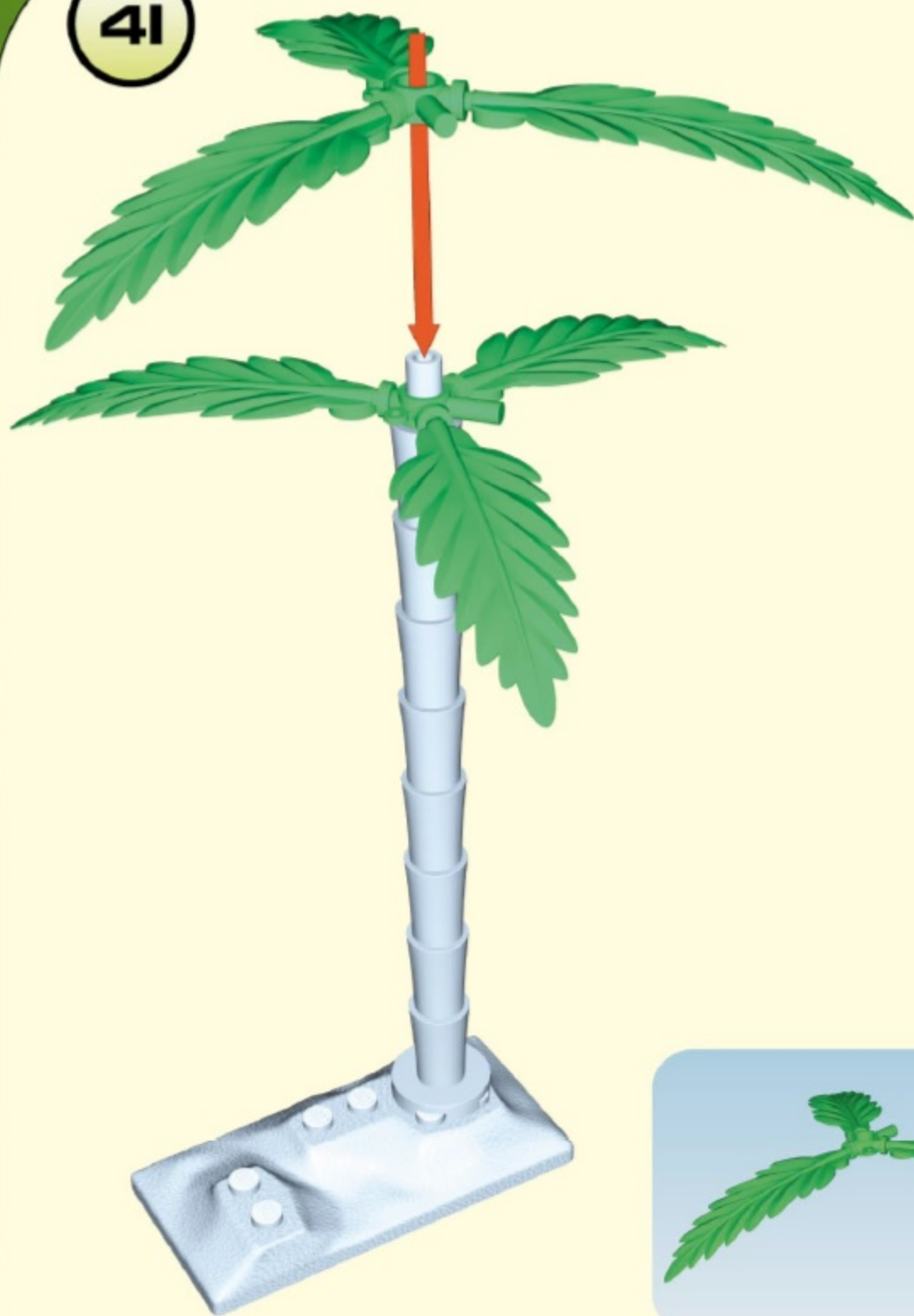
39



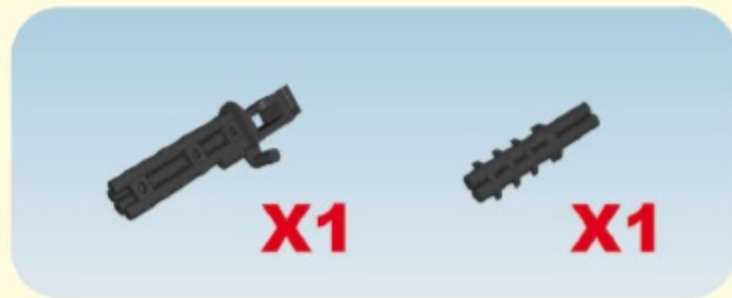
40



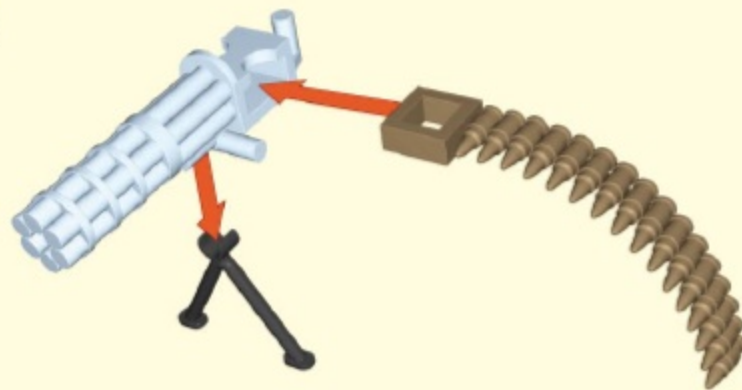
41



42



43





201 AB 420 F-7		
201 AB 420 F-7		
203 15482-S	203 15482-S	
304 16730-A	304 16730-A	
12 Δ 10 ★	2 Δ 15482-S ★	
05 Δ 14-2	A-14 10 ★ 10 ★	
	43 ★ 15 Δ 15 Δ	
	B-52 B-52	
Printed in EU		
Jeep Jeep		
Jeep Jeep		

Jeep, the Jeep grille and related logos, vehicle model names and trade dress are trademarks of Chrysler Group LLC and used under license by Cobi. ©2013 Chrysler Group LLC.



WWW.COBI.EU

12-24190-167