



ACTION TOWN



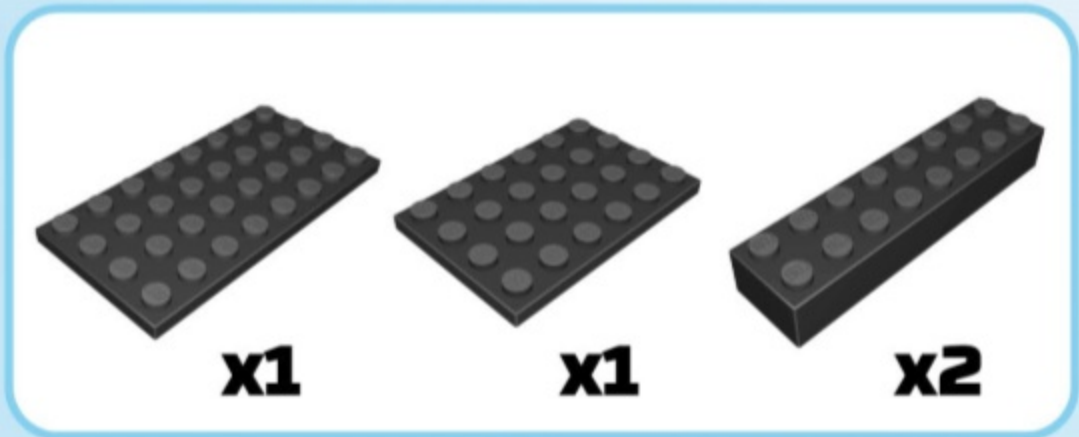
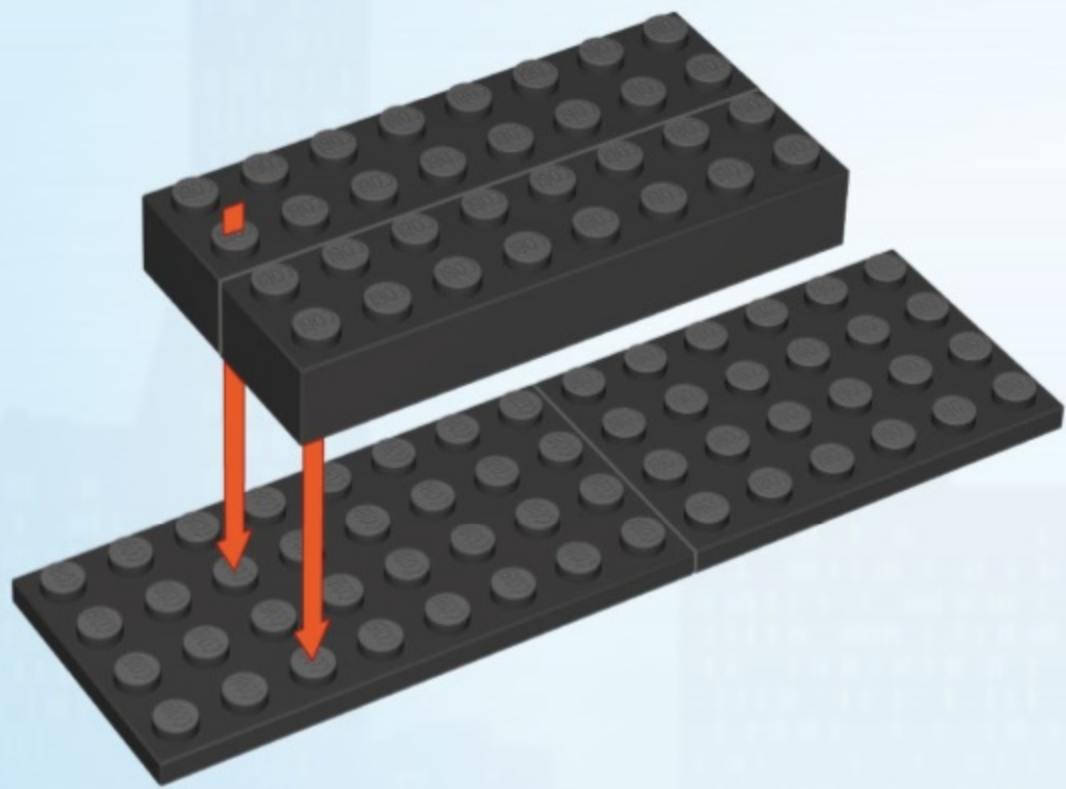
Printed in EU



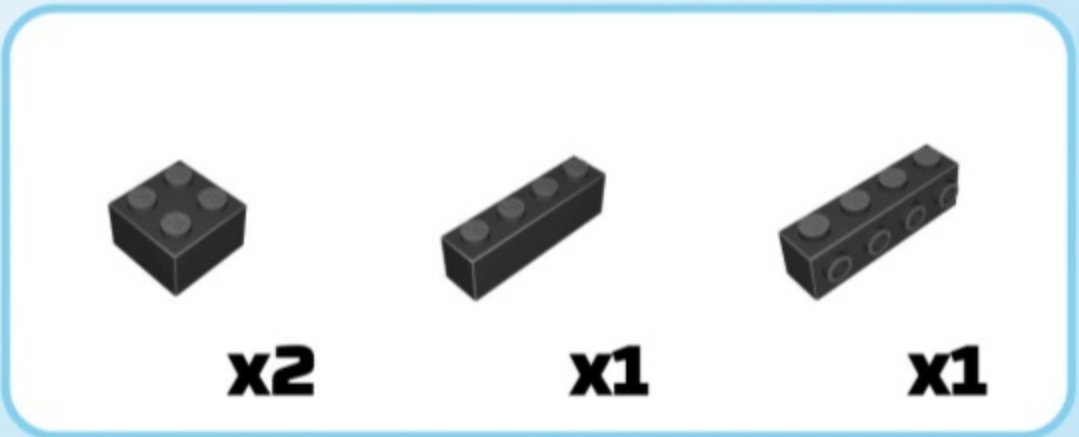
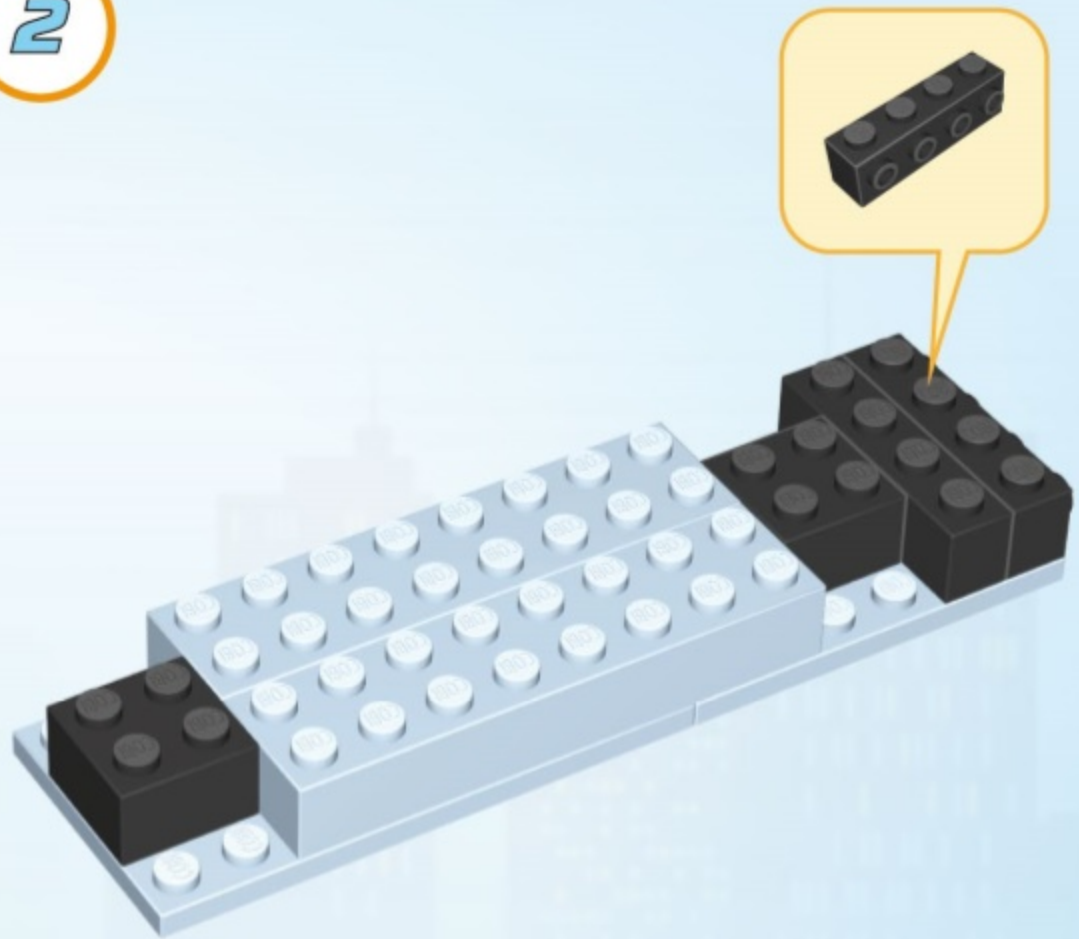
WARNING: CHOKING HAZARD-
Toy contains small parts.
Not for children under 3 years.



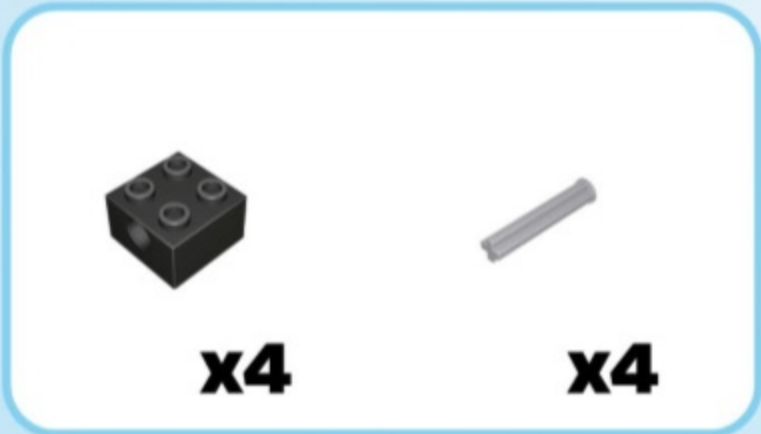
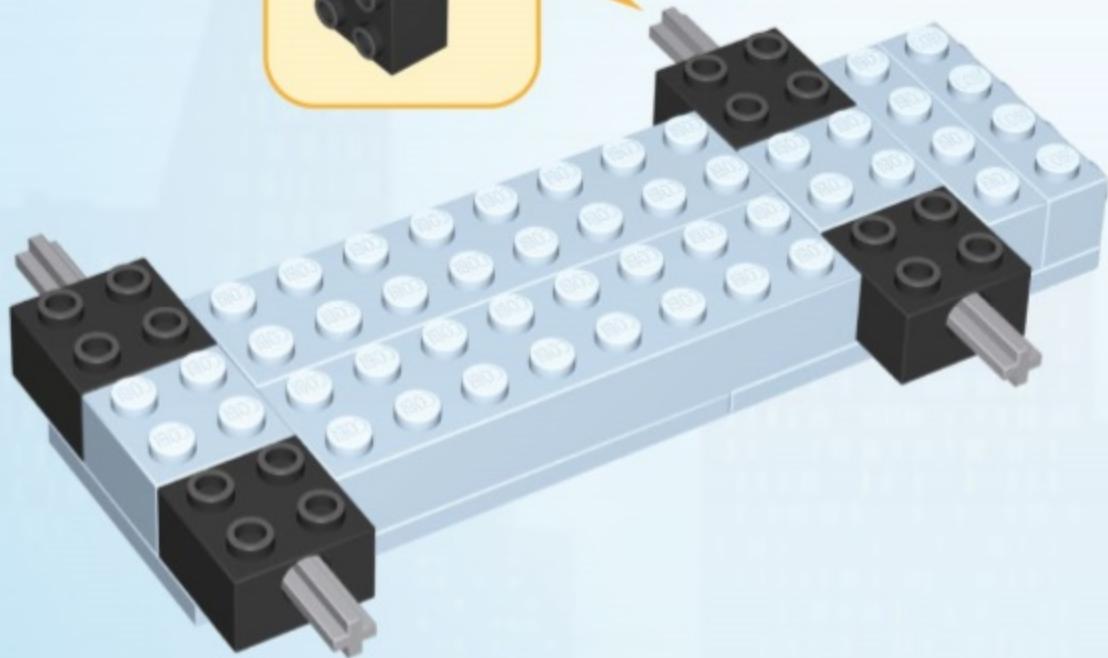
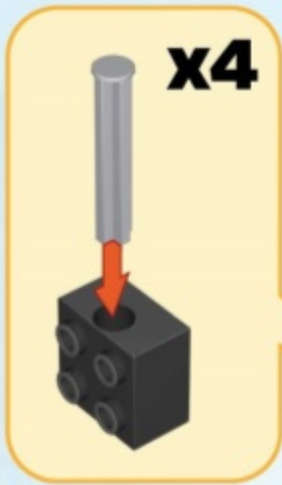
1



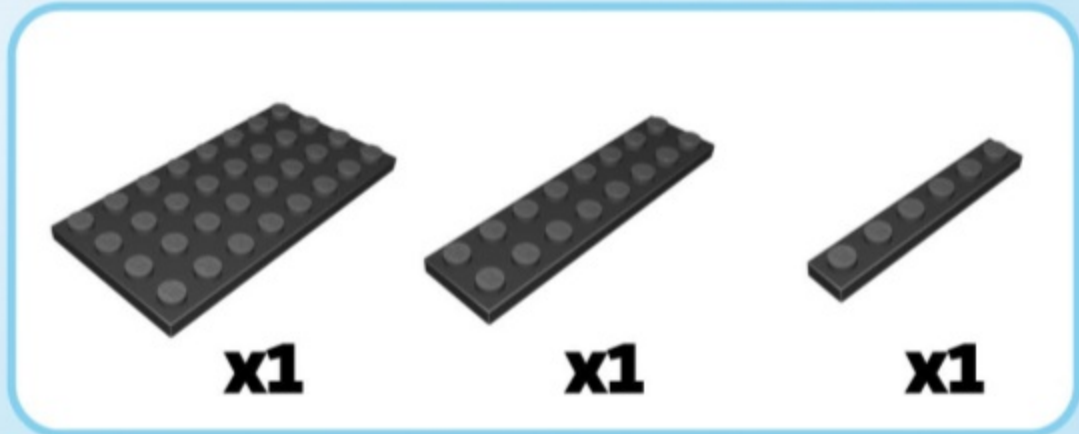
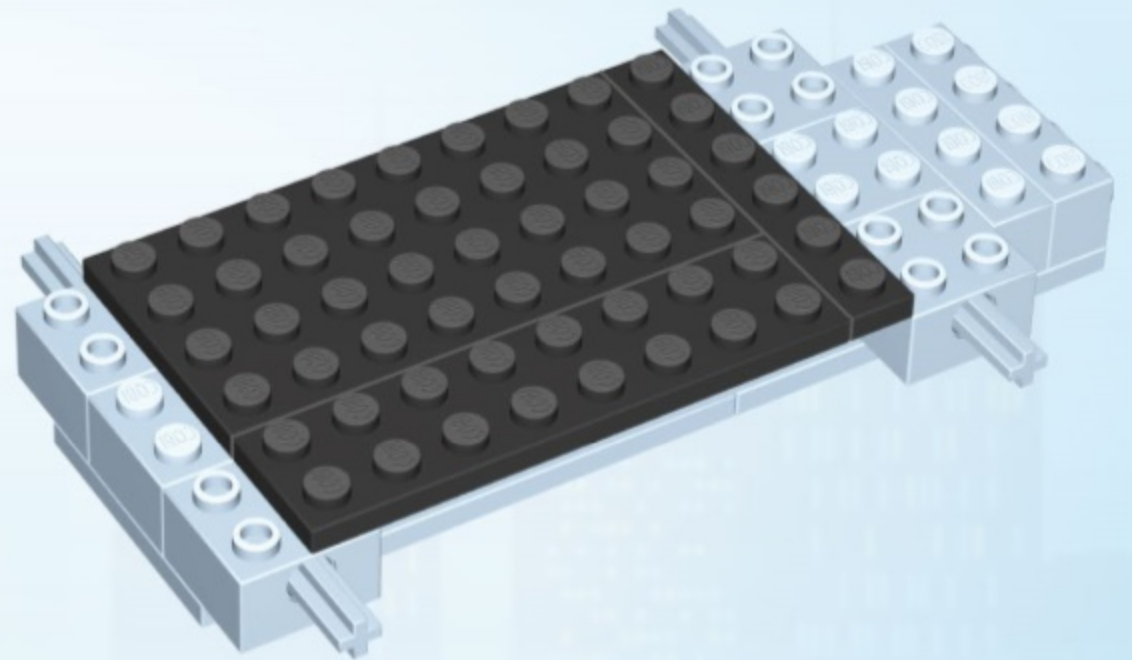
2



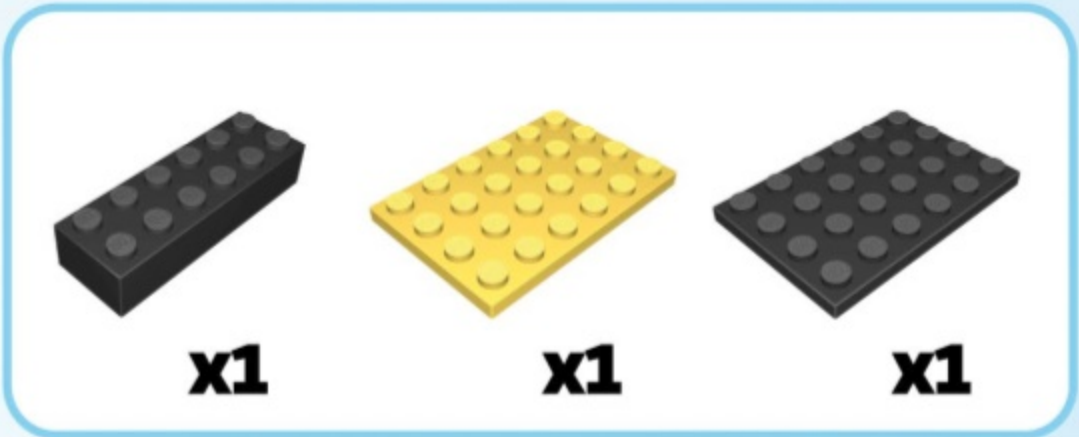
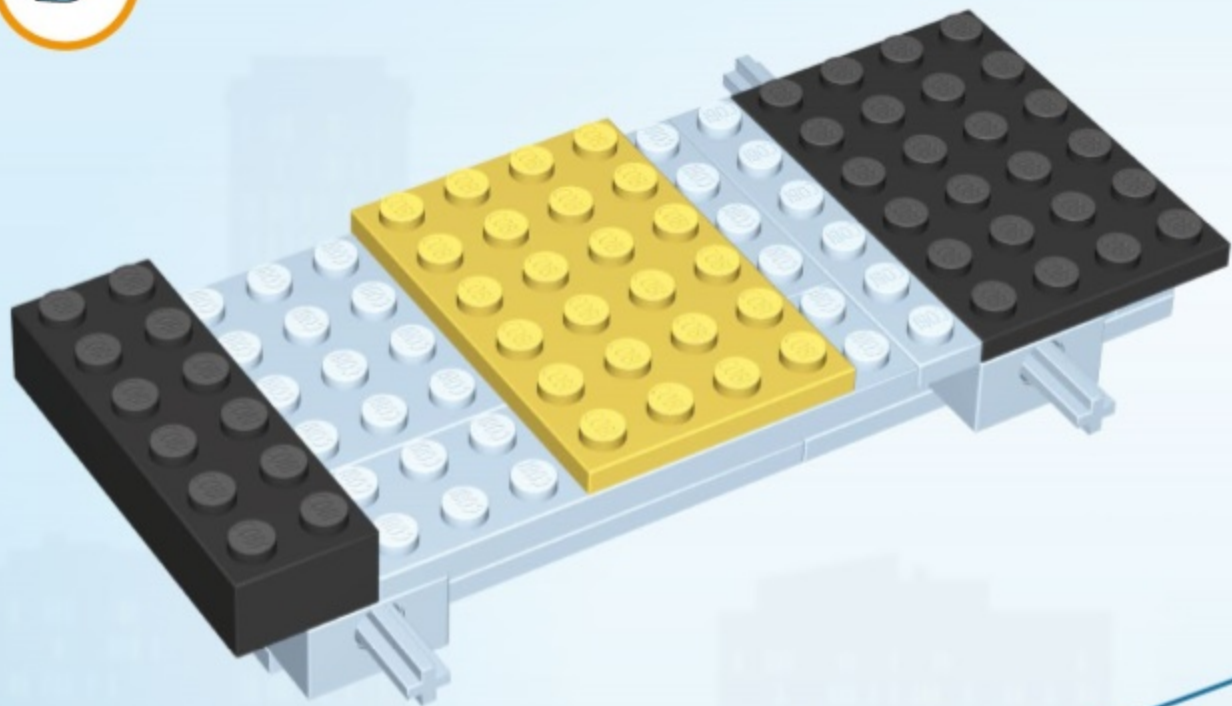
3



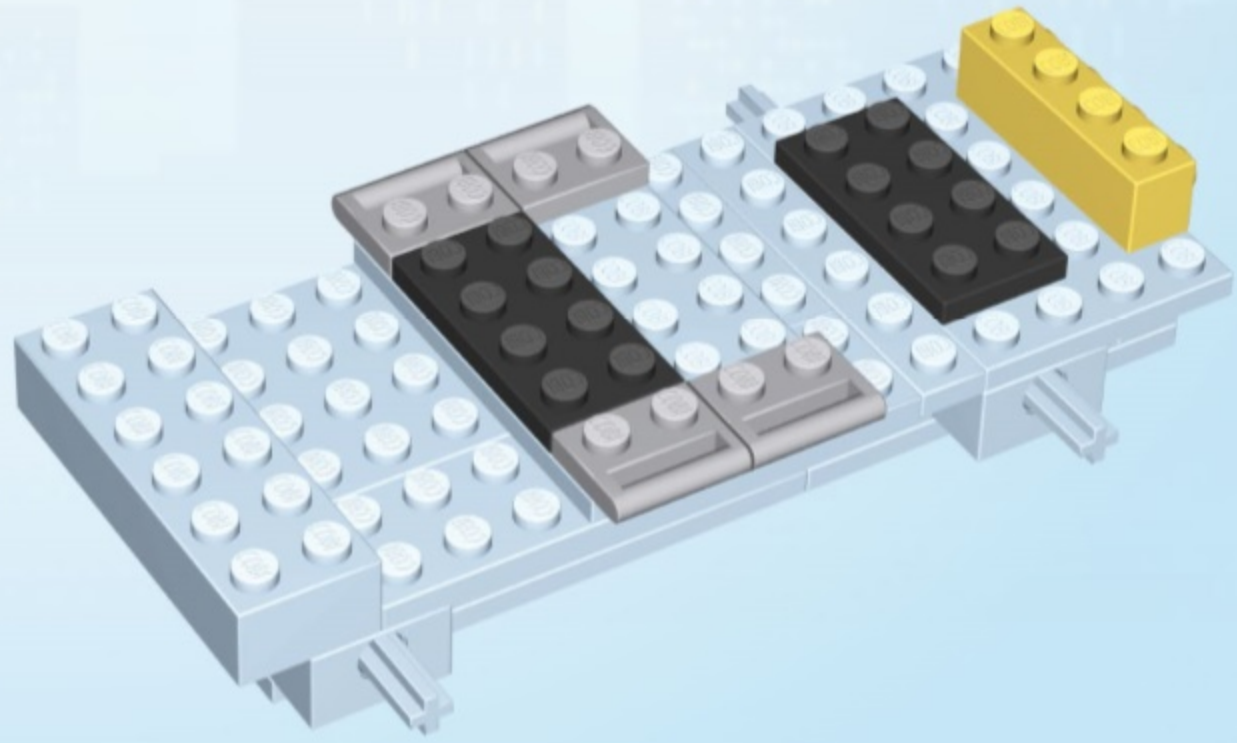
4



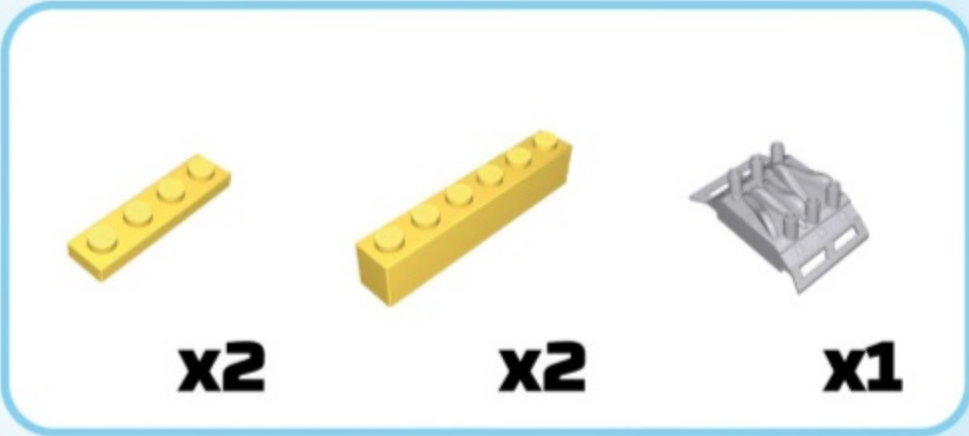
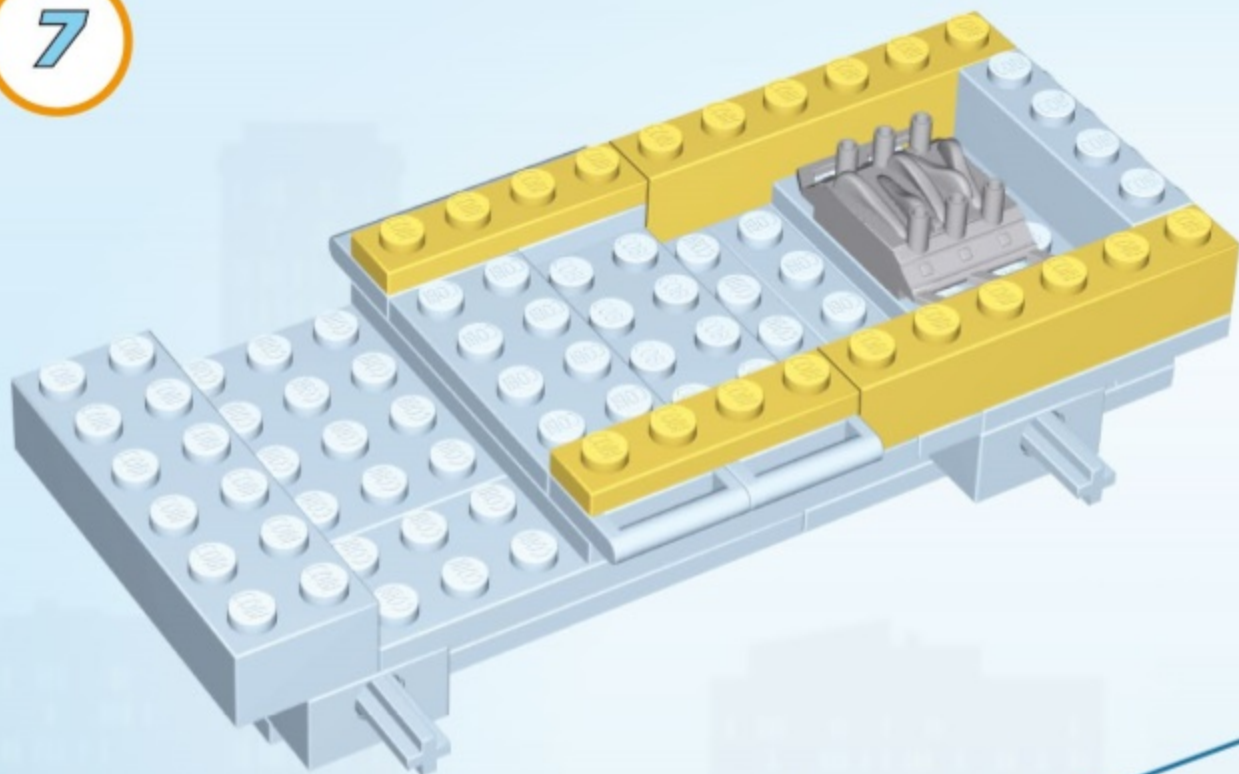
5



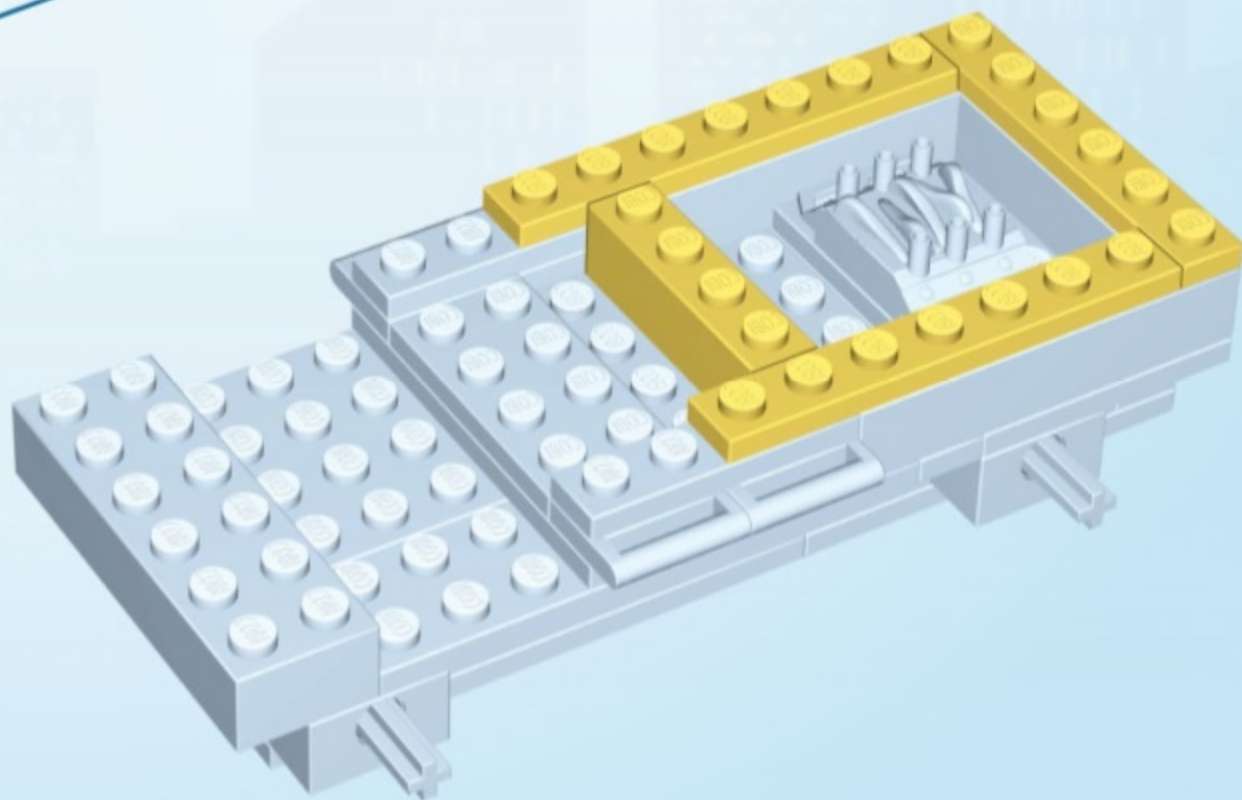
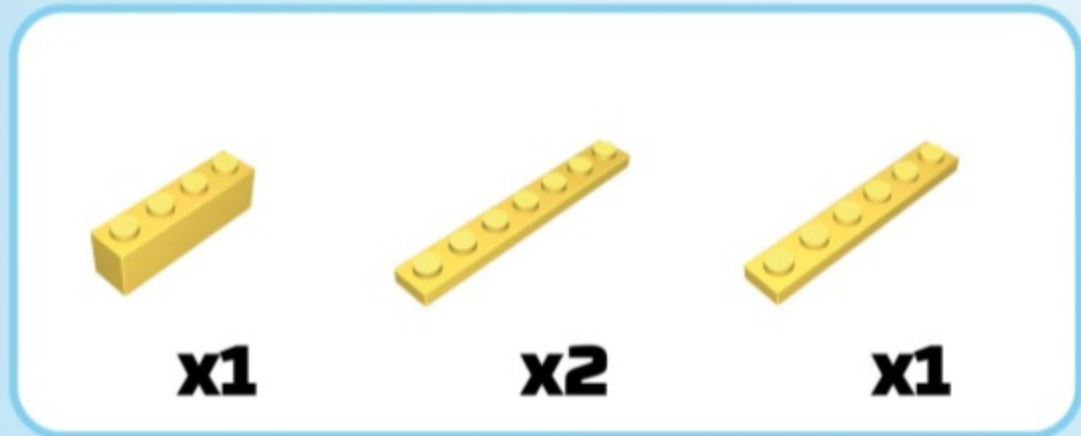
6



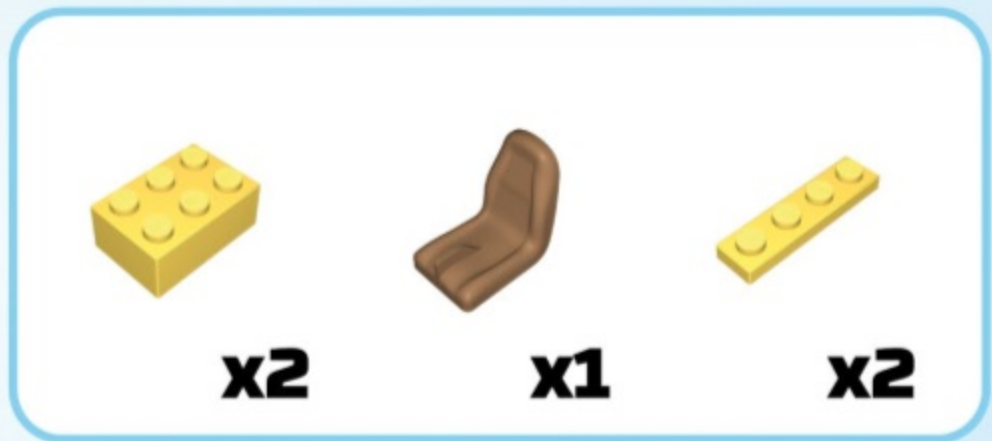
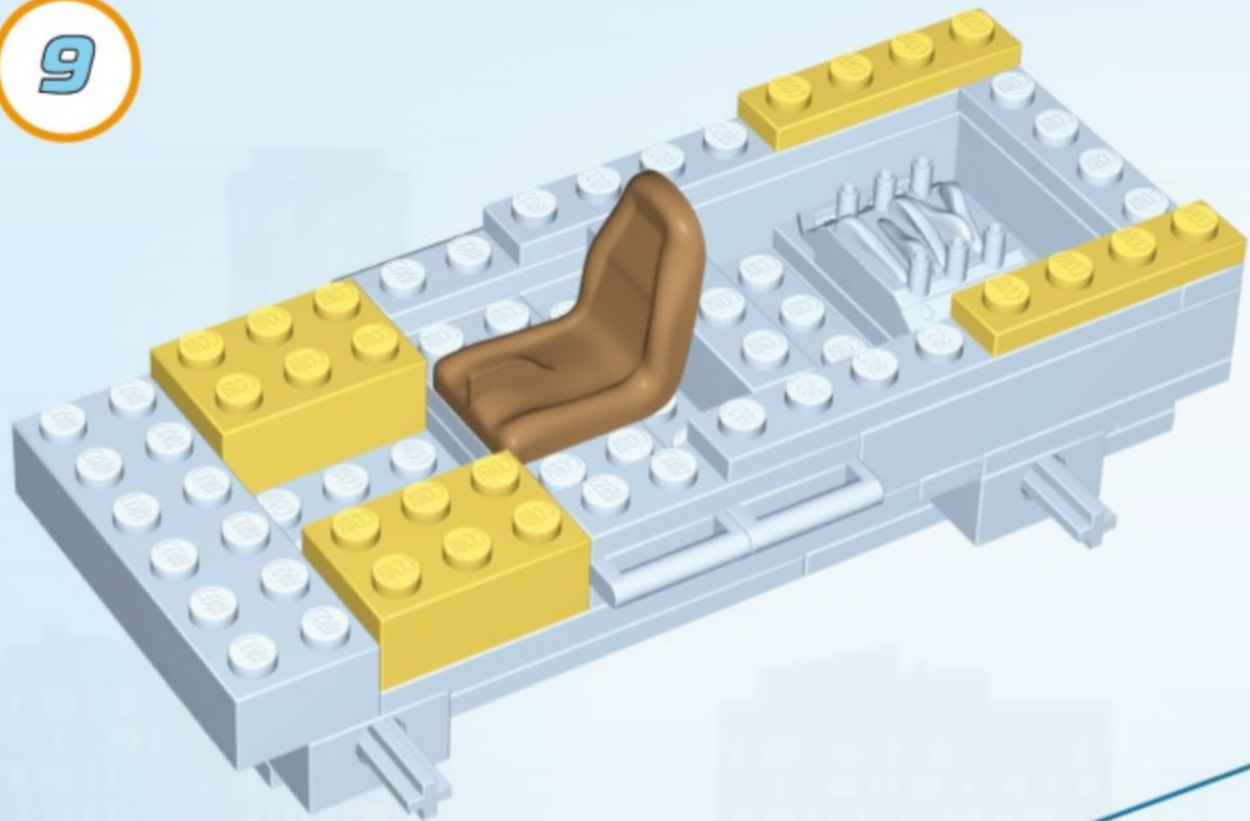
7



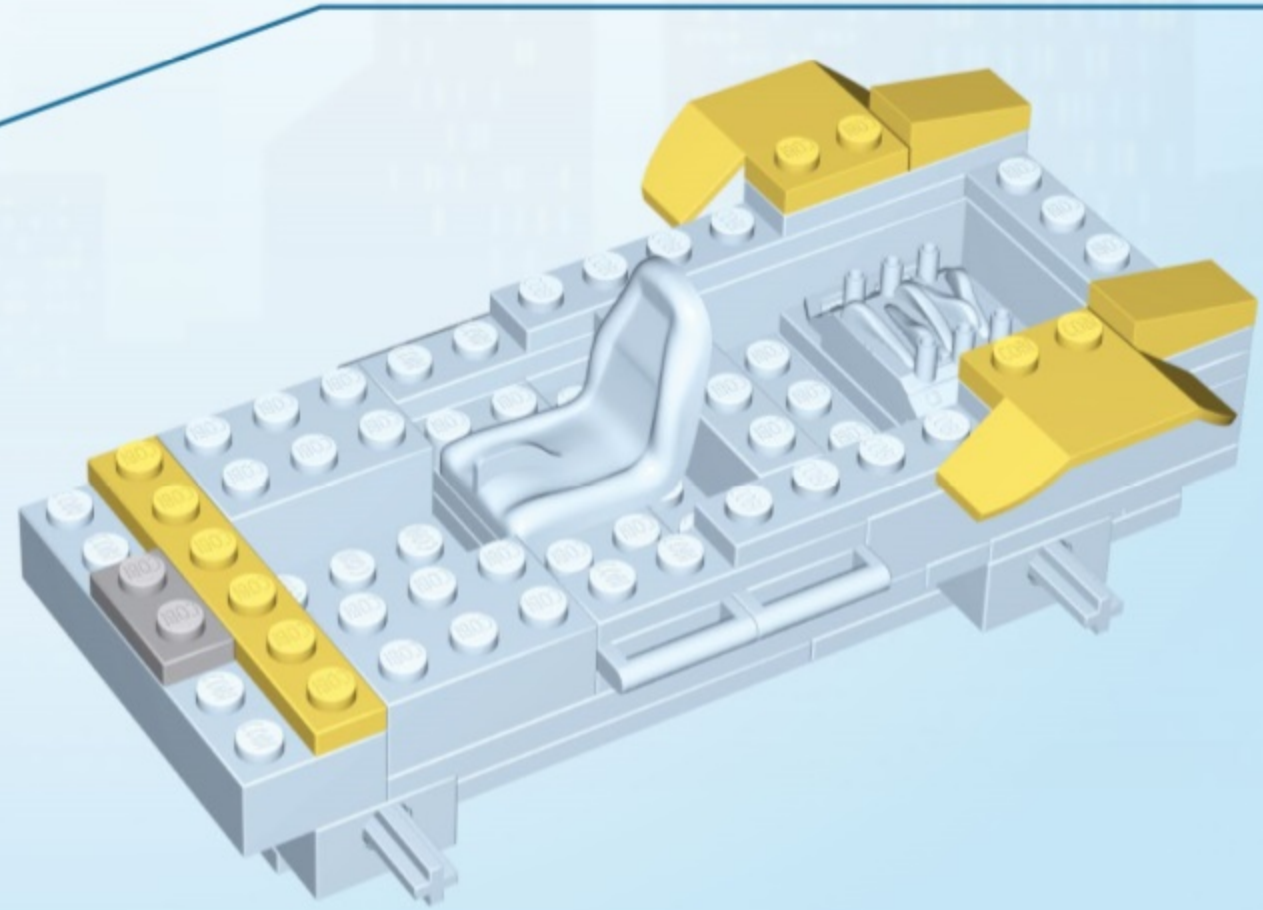
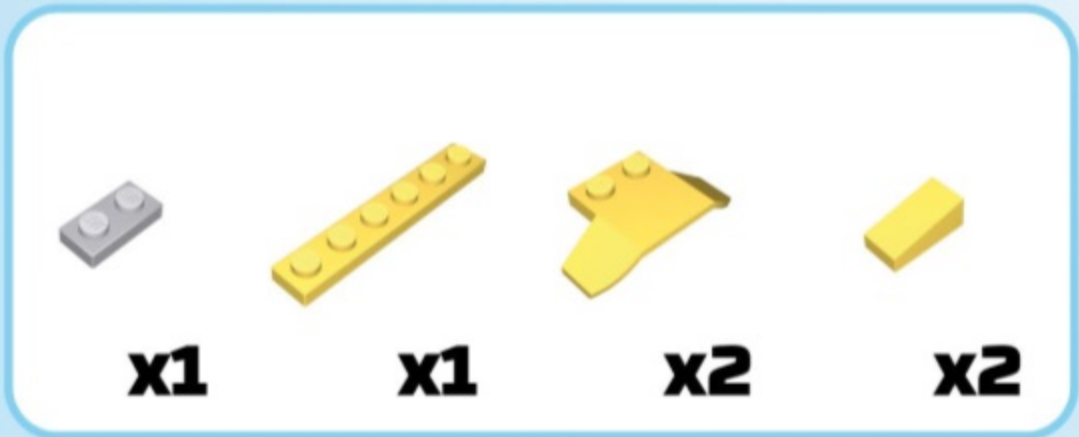
8



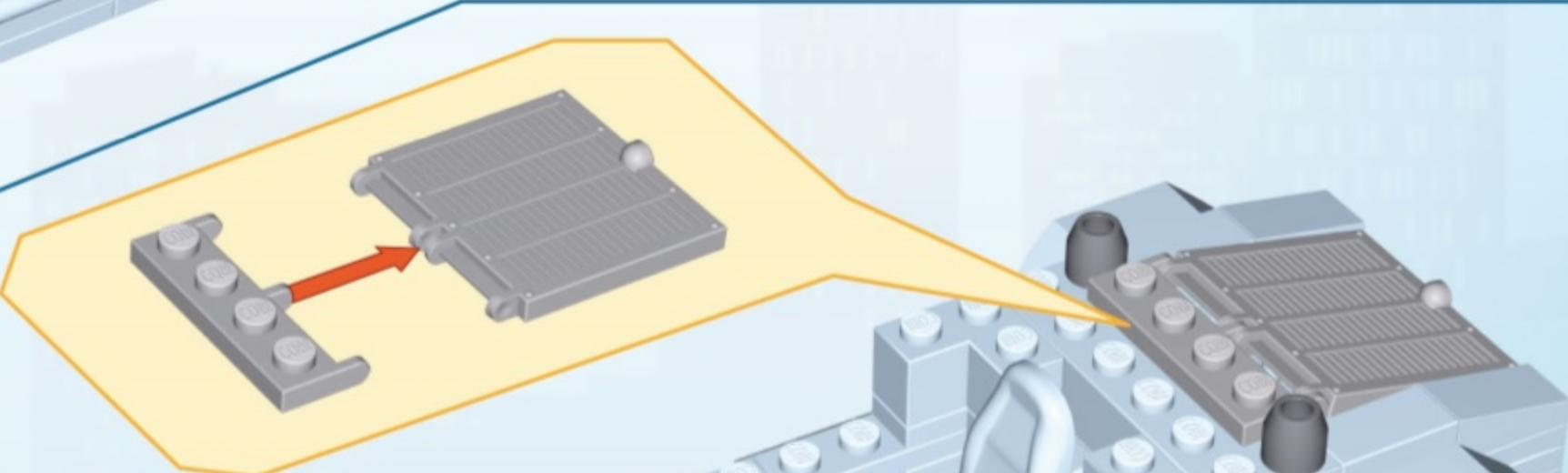
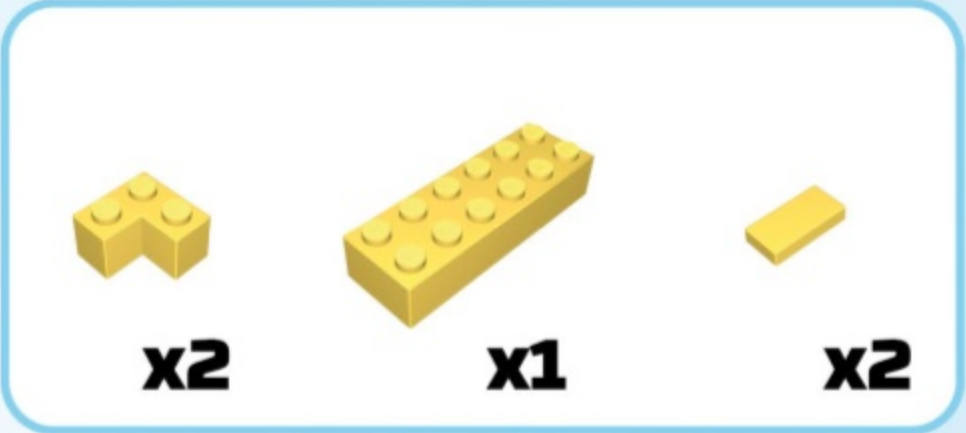
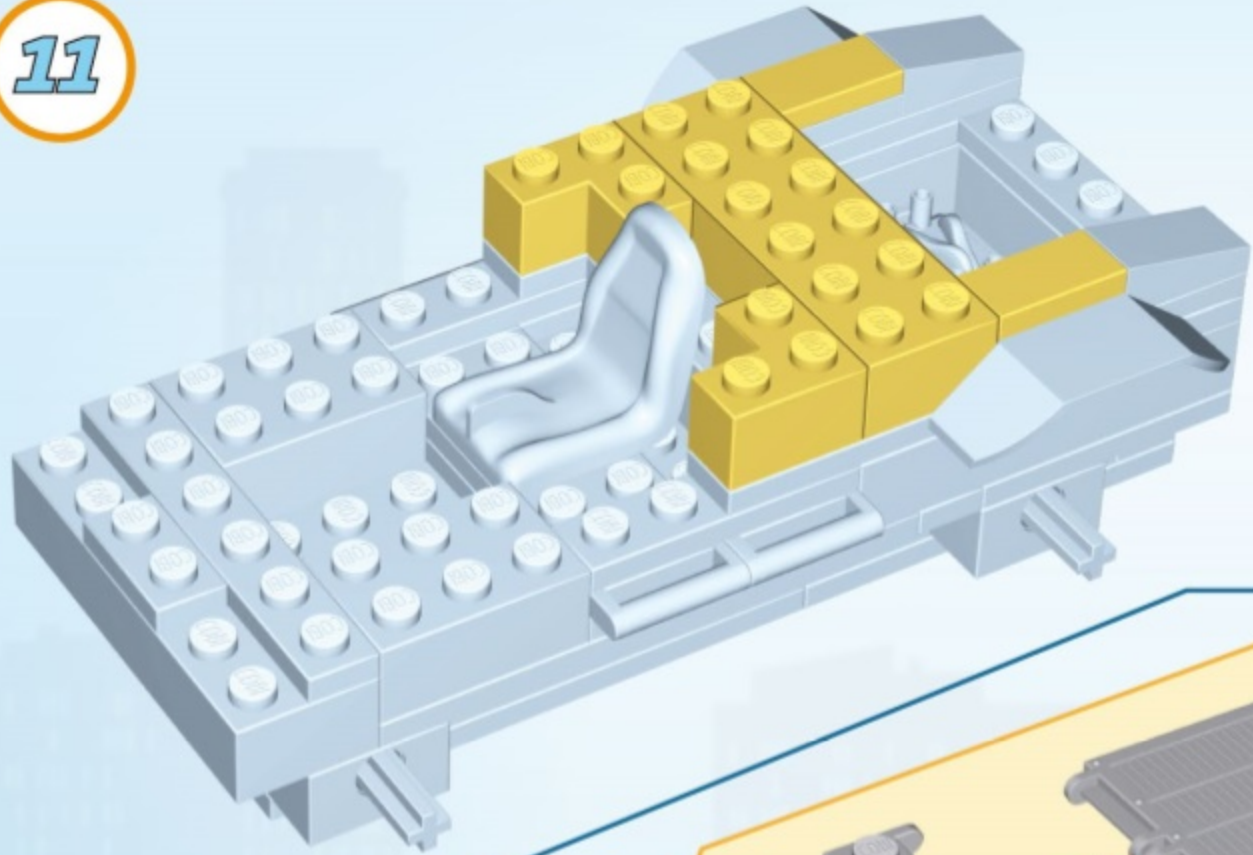
9



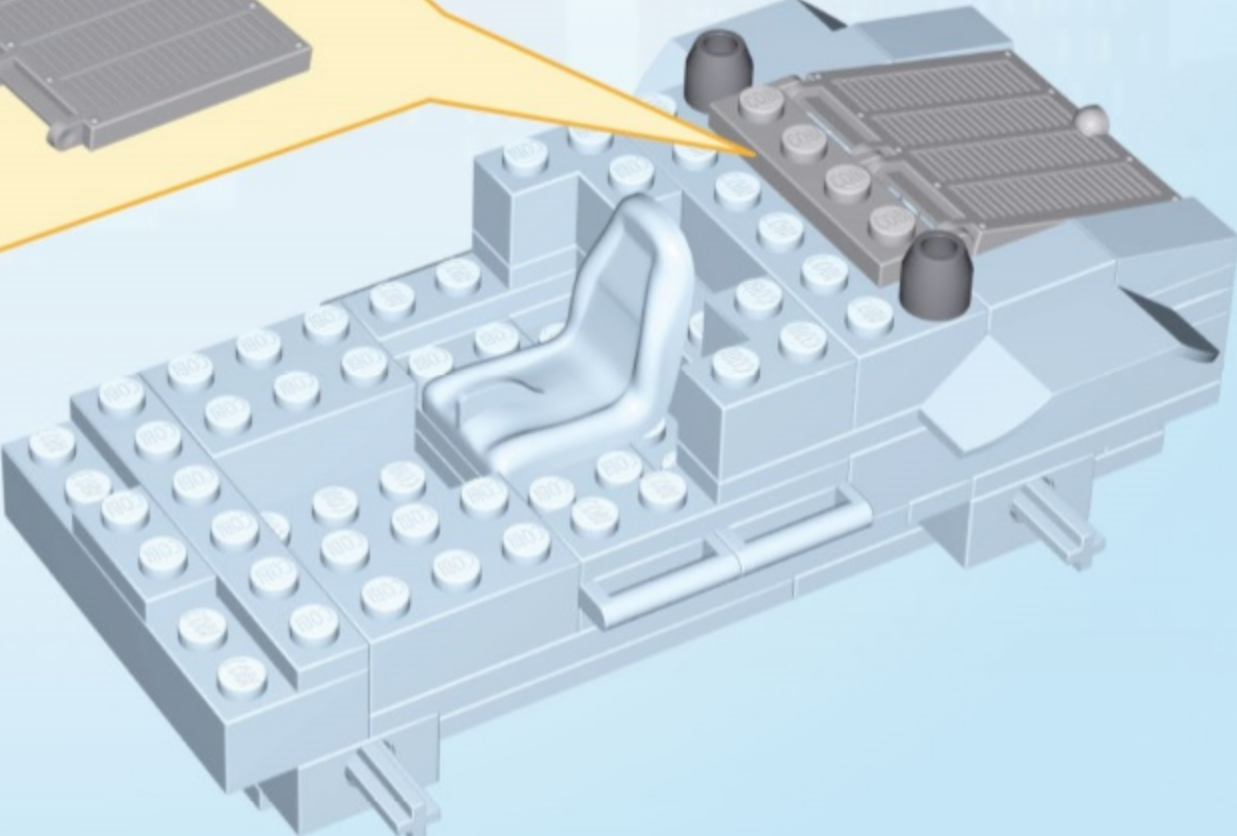
10



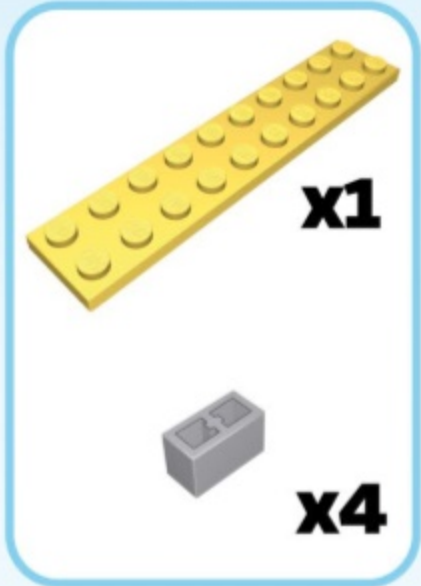
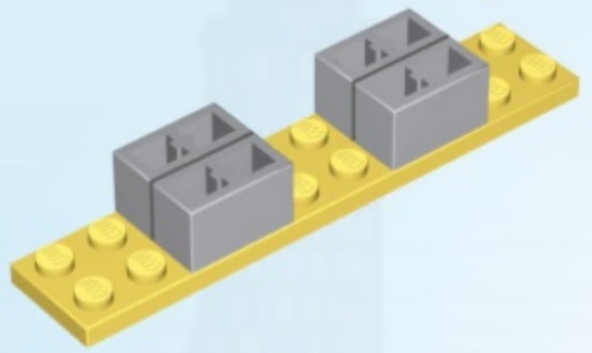
11



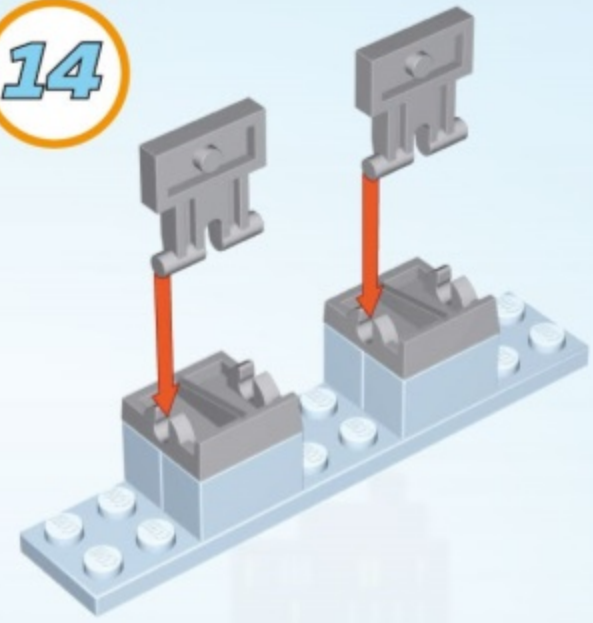
12



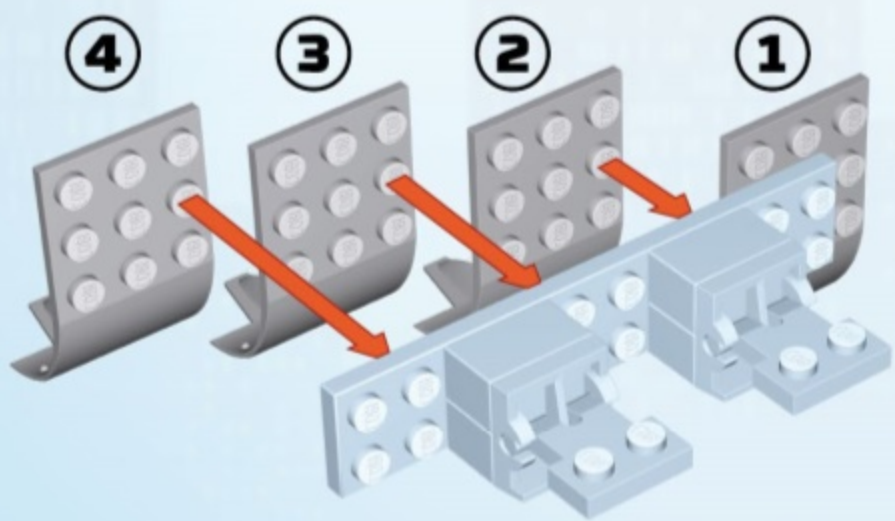
13



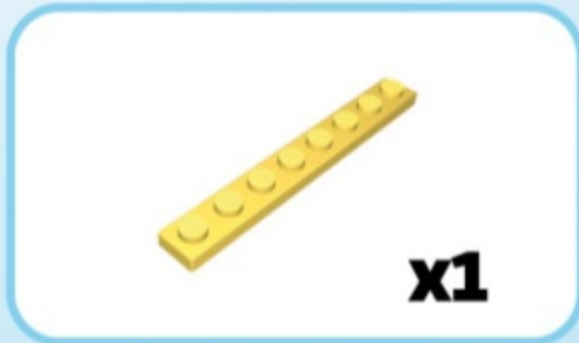
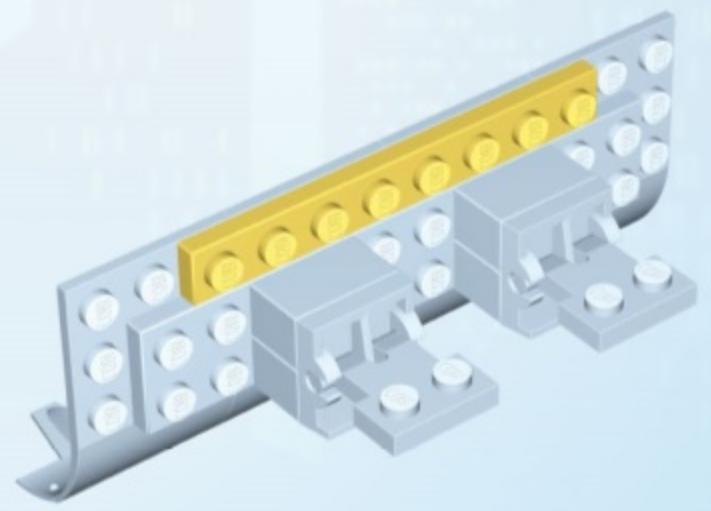
14



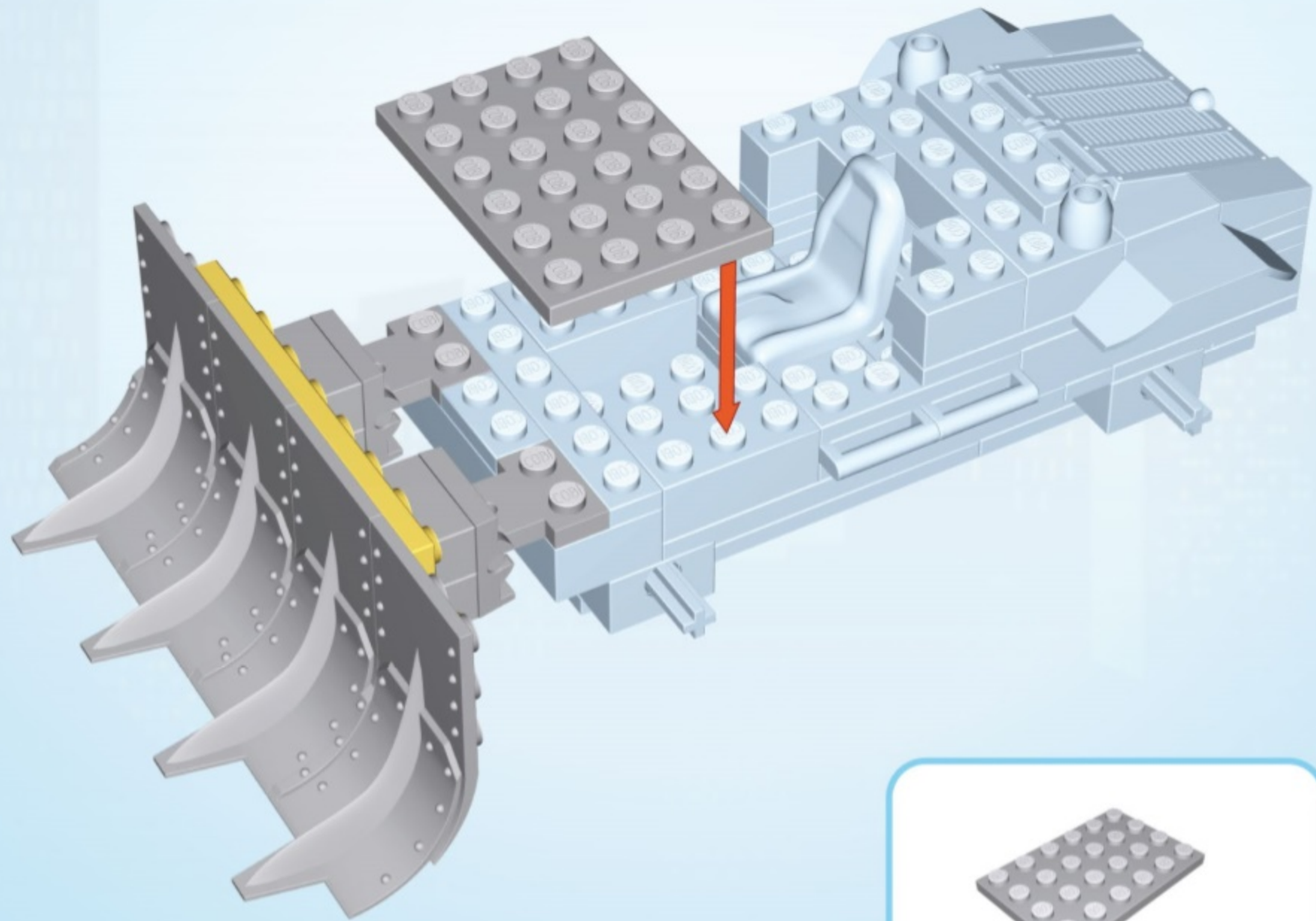
15

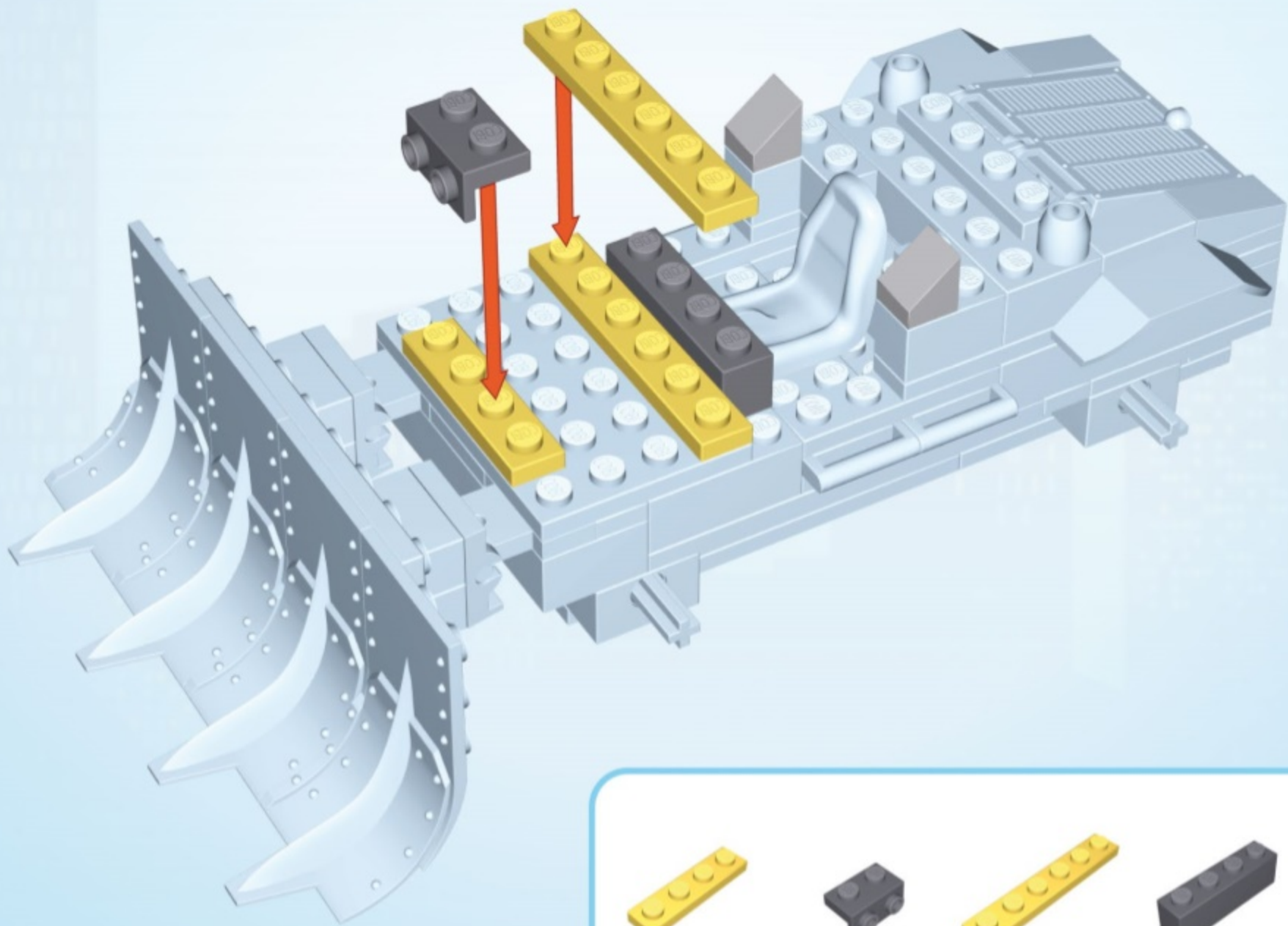







16

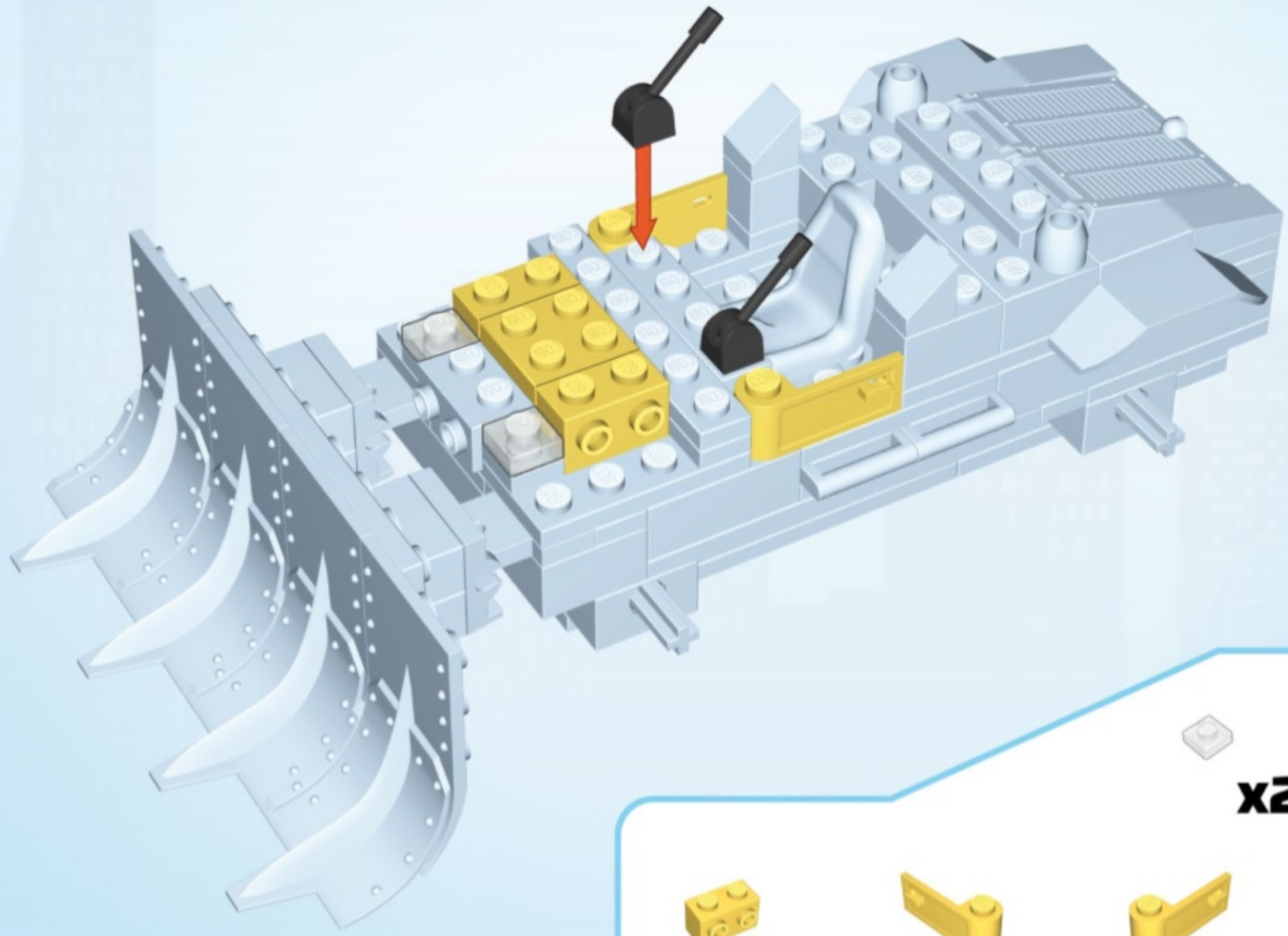


17





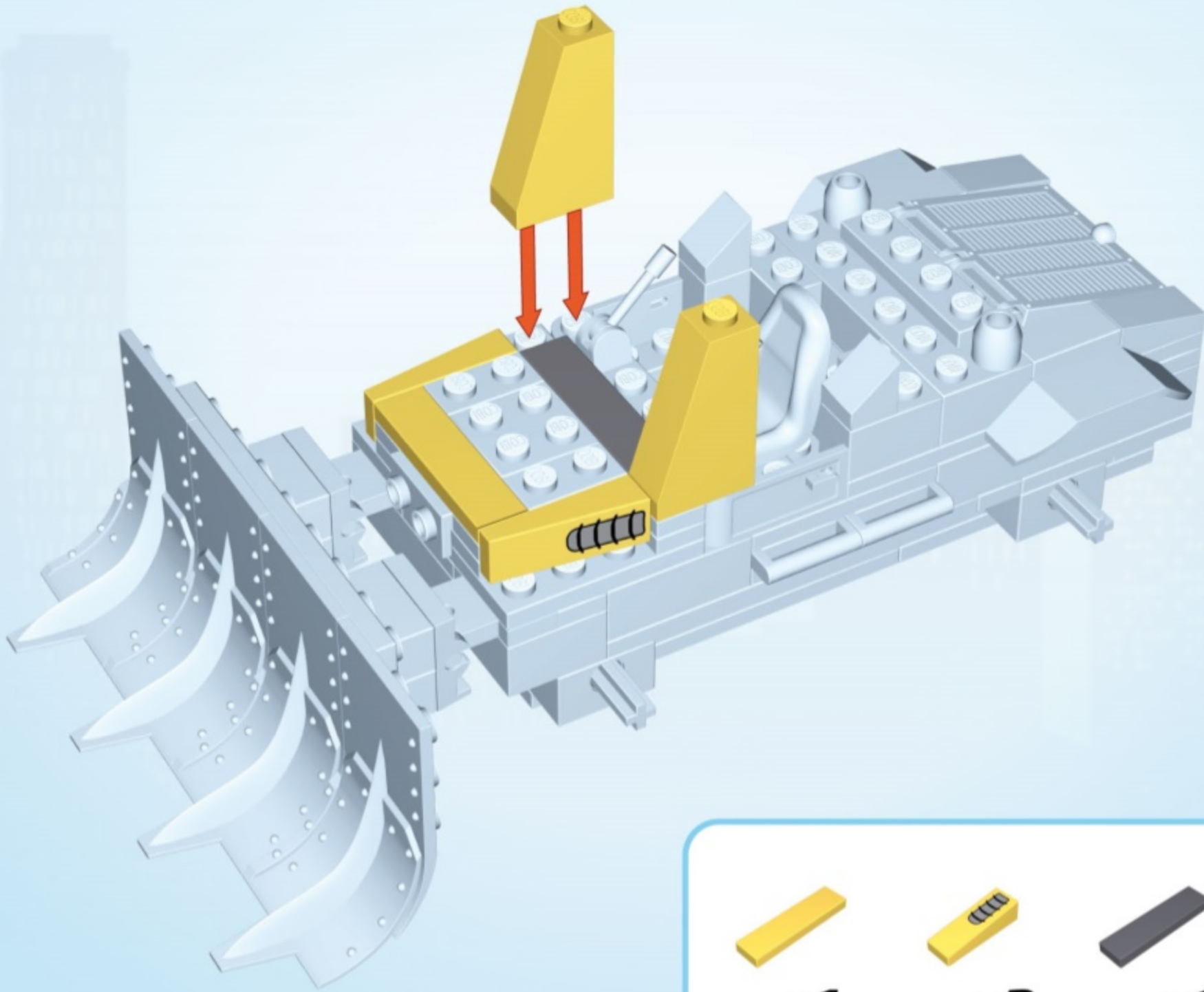
-  **x1**
-  **x1**
-  **x2**
-  **x1**
-  **x2**



A parts list diagram enclosed in a blue-bordered box. It displays seven different LEGO Technic parts with their respective quantities:

- A 1x2 yellow Technic brick with a hole on the side, labeled **x2**.
- A yellow Technic L-shaped connector, labeled **x1**.
- A yellow Technic L-shaped connector with a hole on the side, labeled **x1**.
- A small grey Technic square plate, labeled **x2**.
- A yellow 1x3 Technic brick with a hole on the side, labeled **x1**.
- A black Technic pin with a hook, labeled **x2**.

20



x1



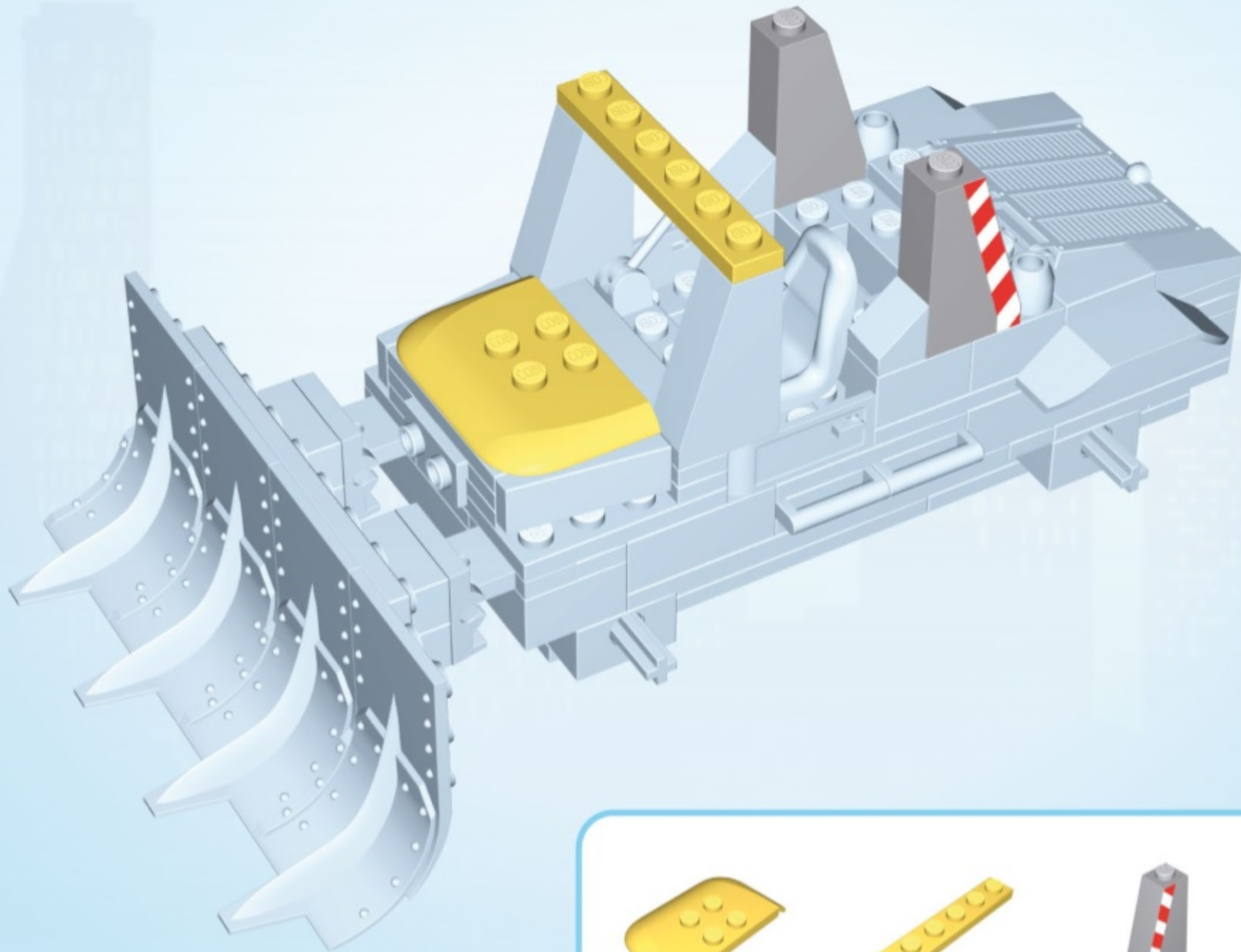
x2



x1



x2



x1



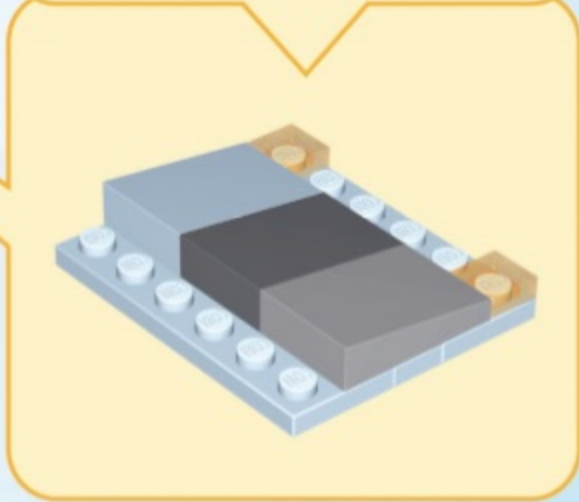
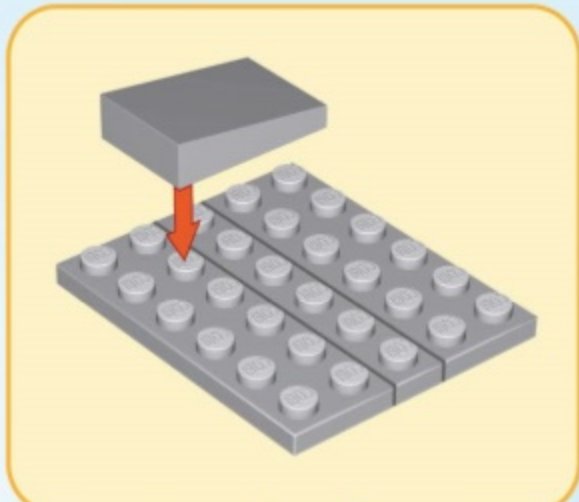
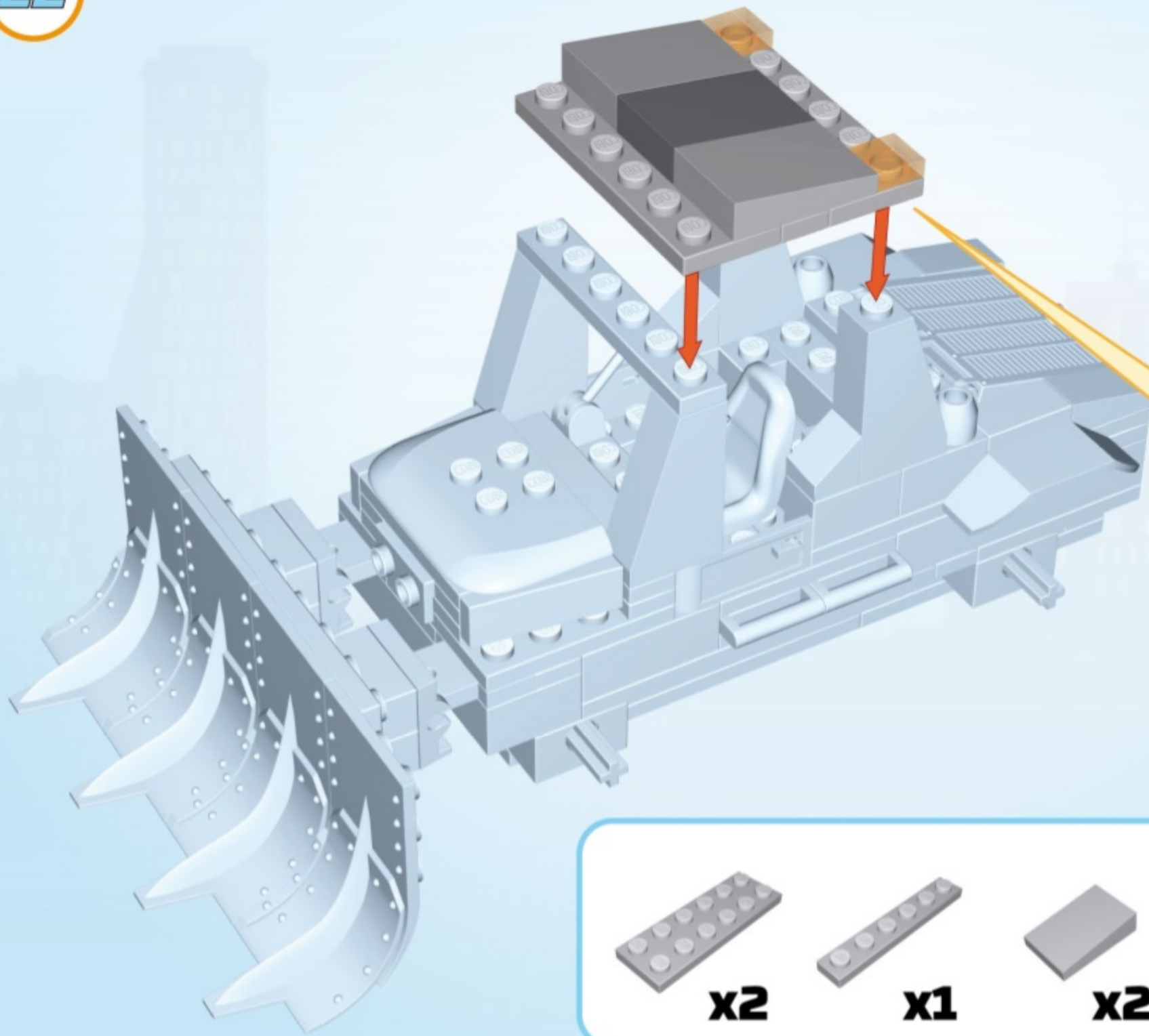
x1



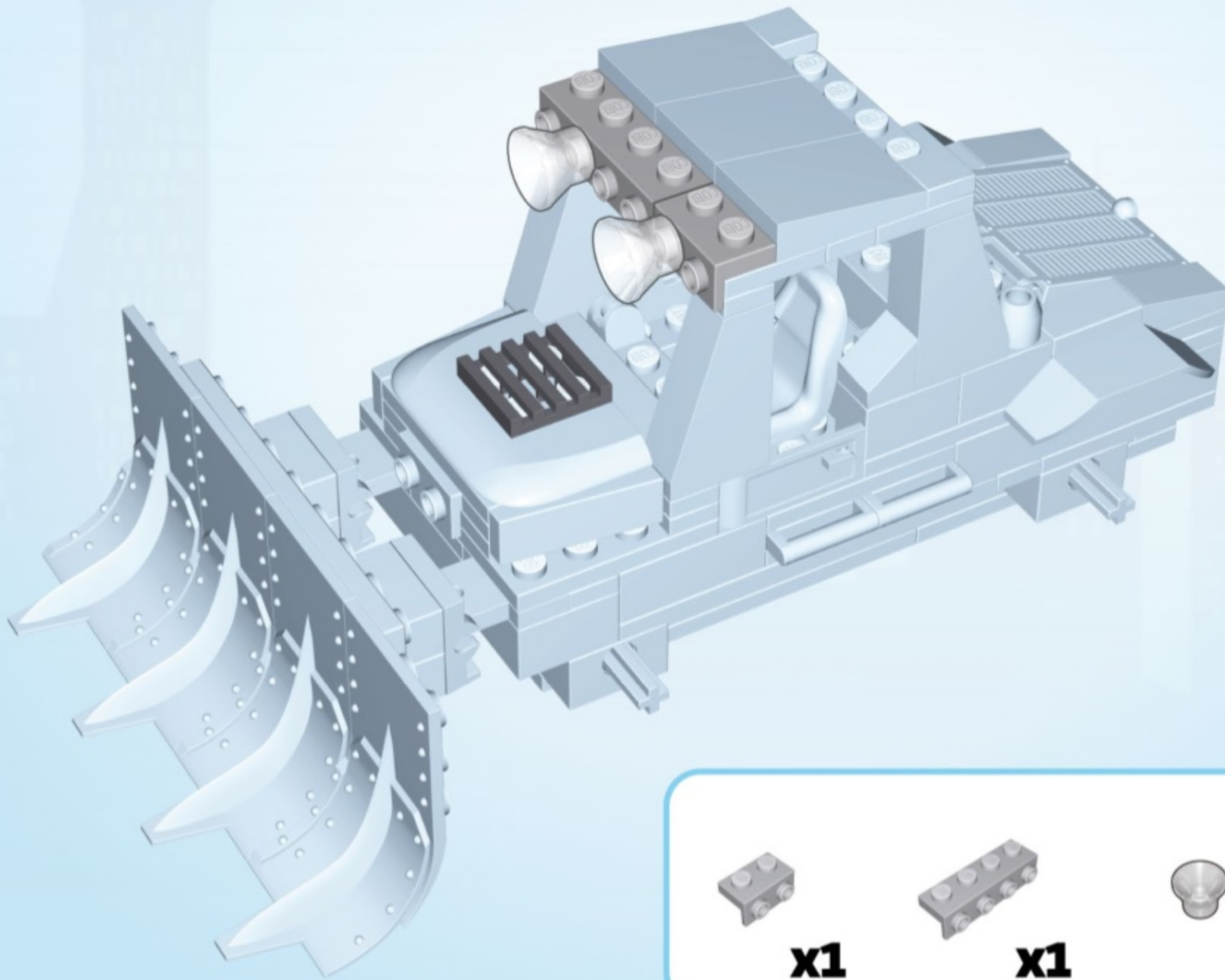
x1



x1



-  **x2**
-  **x1**
-  **x2**
-  **x1**
-  **x2**



x1



x1

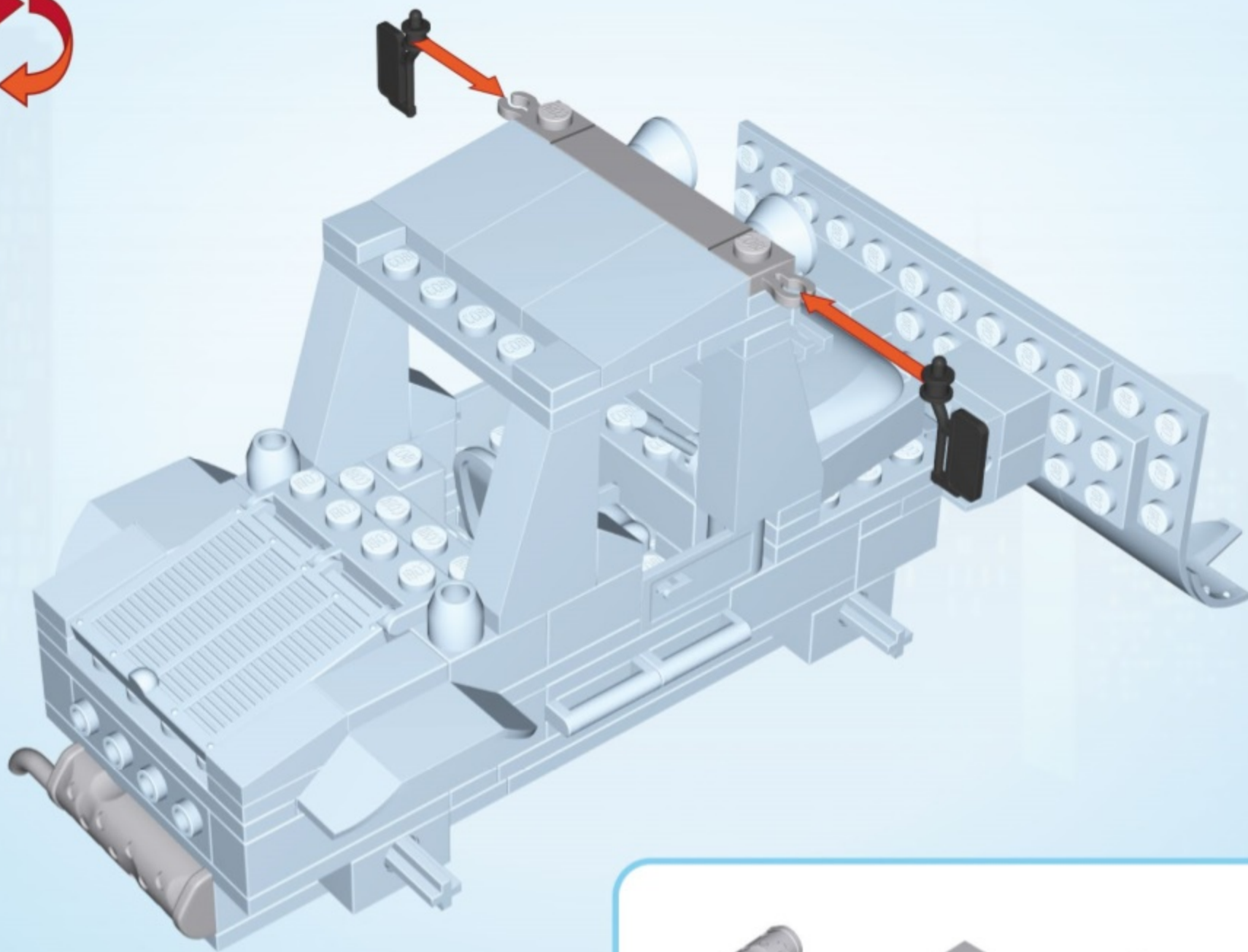


x2



x1

24



x1



x1

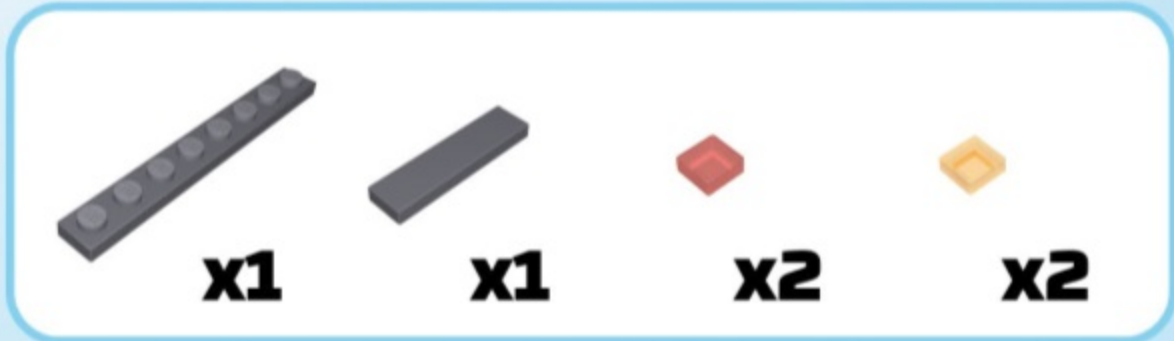
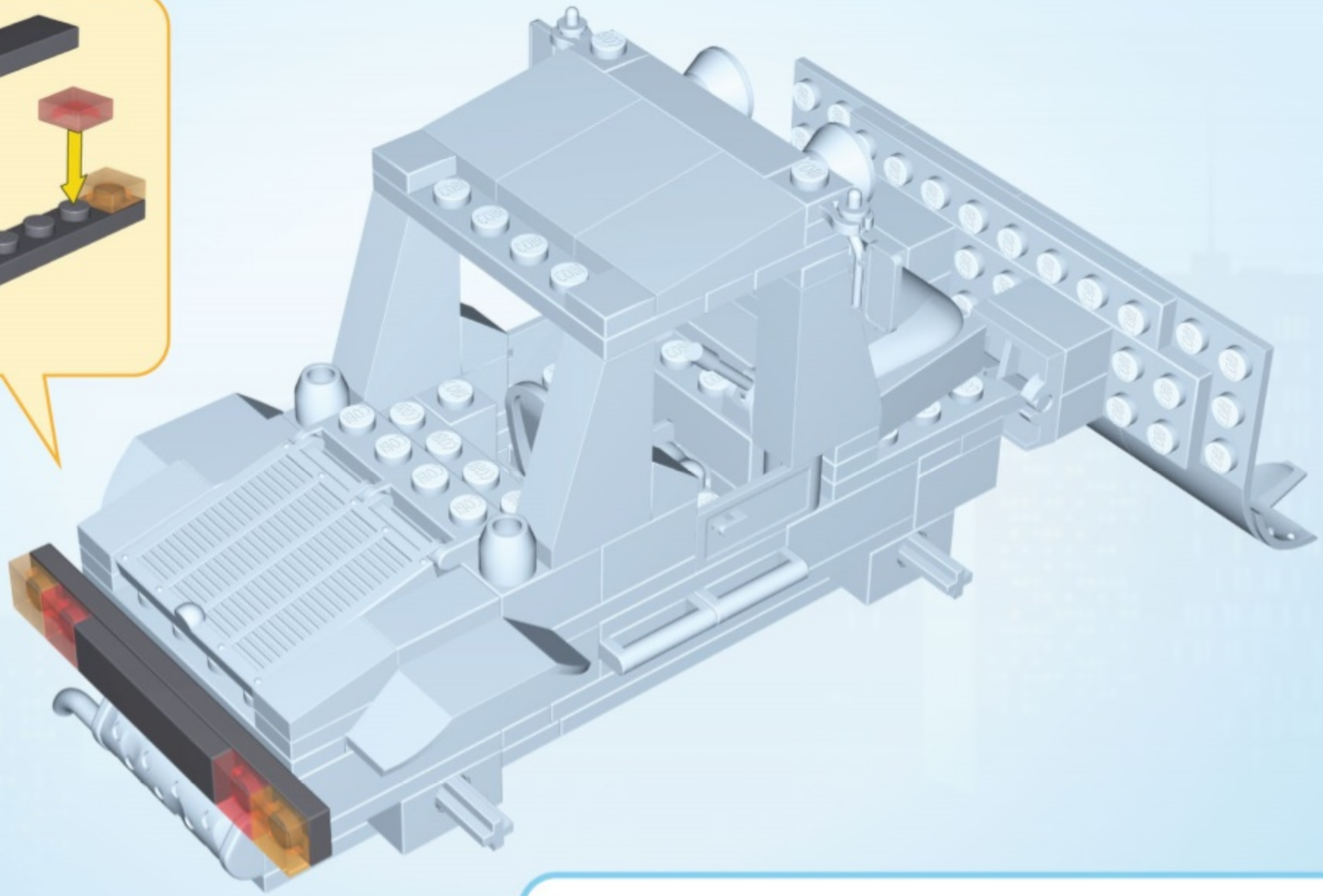
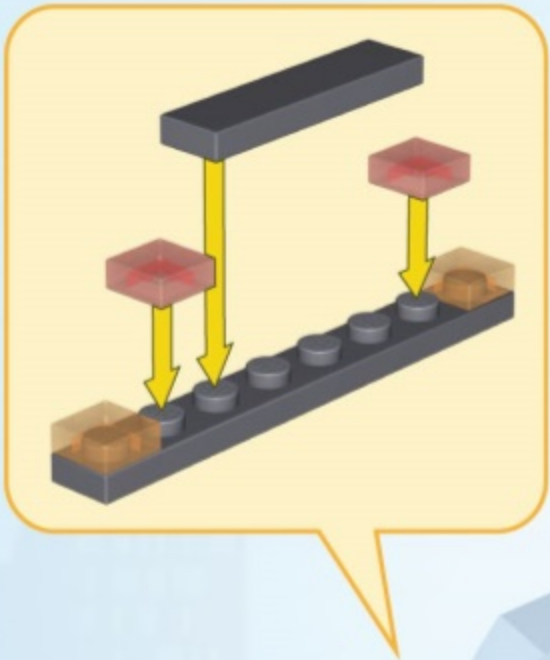


x2

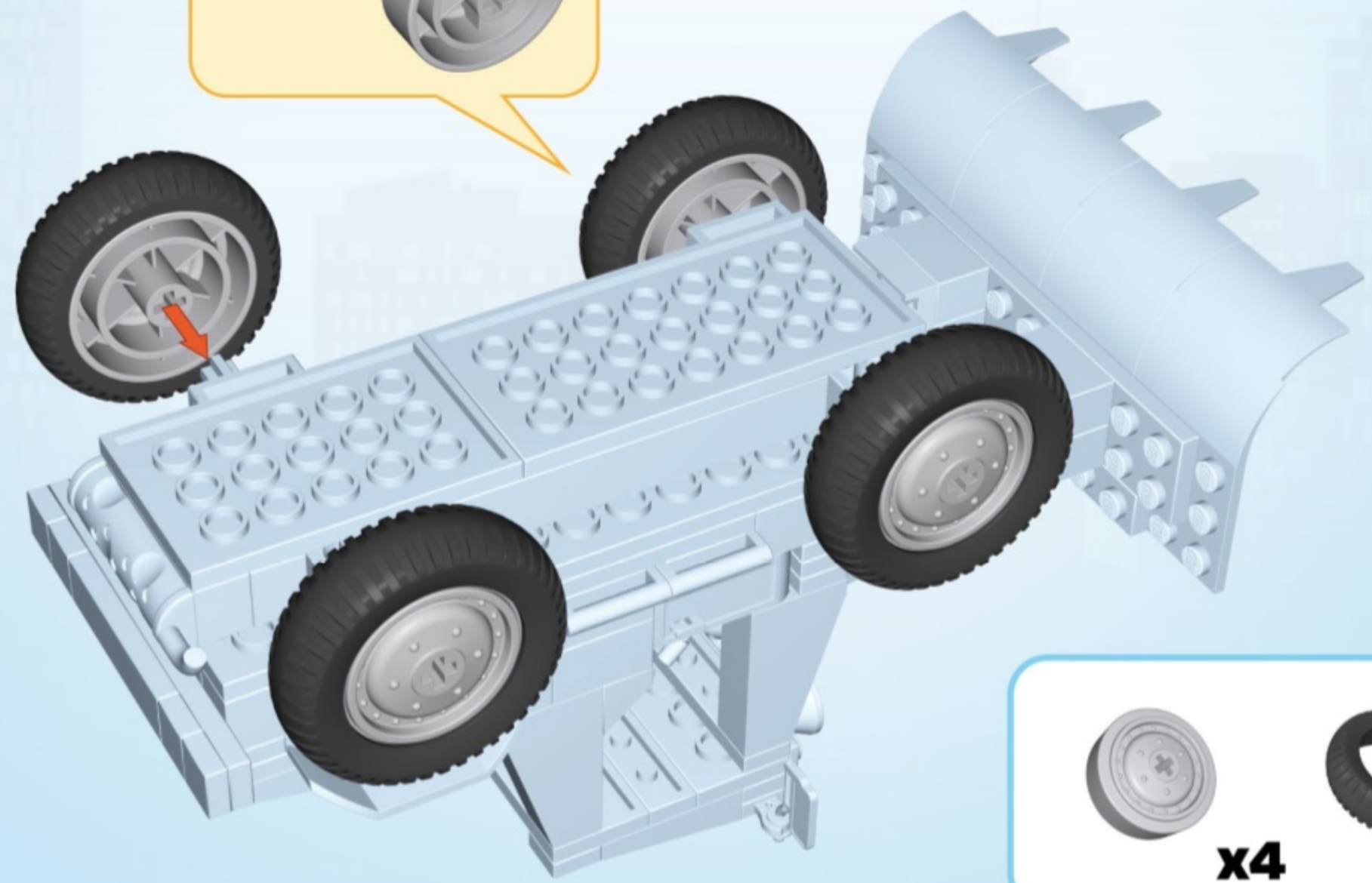


x2

25



26





Police Armoured Vehicle
1564



Cashpoint Robbery
1561



Emergency Room
1760



Rescue Ship
1464



City Pumper Truck
1468



**ACTION
TOWN**



Big Tipper
1665



City Pumper Truck
1468



Ambulance
1763



Armored Response Vehicle
1568

